

Driver: _____ Date: _____ Event/Track: _____
 Qualify: _____ Final: _____ Best Lap: _____

TRACK TYPE

Grip Level High Medium Low

Type Tight Open Mixed

Condition Flat Bumpy Mixed

Surface Clay Long Astro Carpet
 Grass Short Astro Mixed

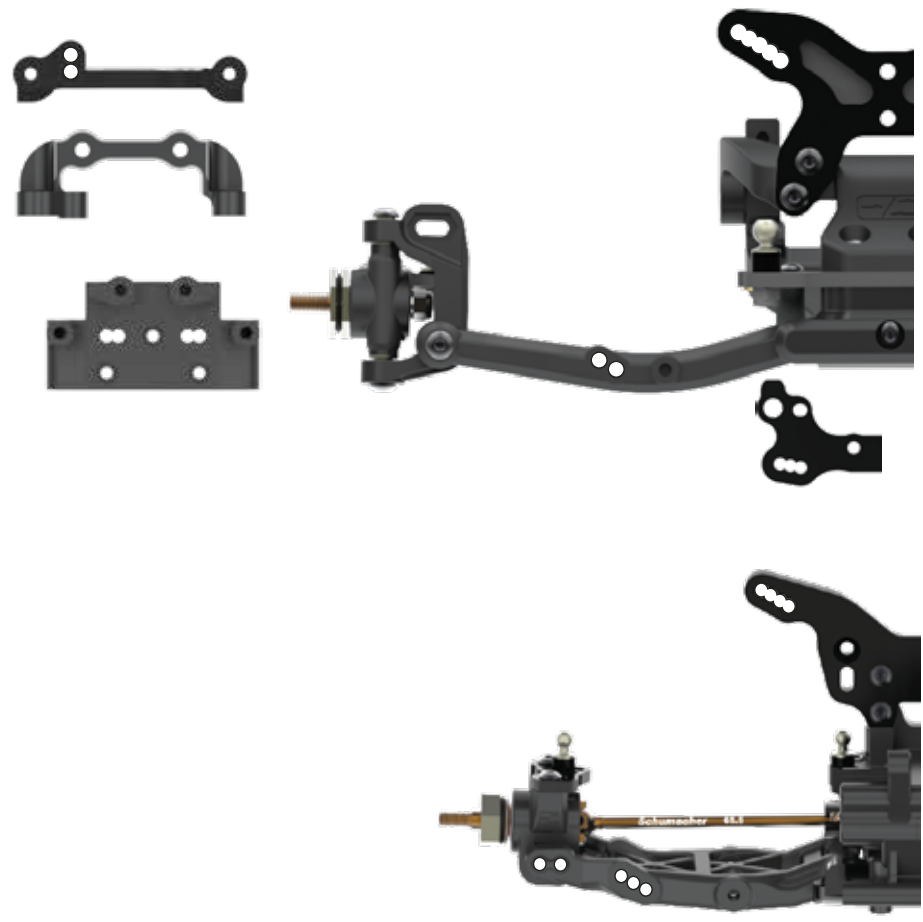
Weather _____

TYRES

	FRONT	REAR
Tyres	_____	_____
Wheels	_____	_____
Inserts	_____	_____

Notes: _____

Notes: _____



TRANSMISSION

Diff Height H M L

Diff Type B 2g 4g

Motor _____

Rotor Dia. _____ mm

Timing _____ deg

Pinion _____ t

Spur _____ t

Motor Plate A CF

Lock Out Y N

Slipper Plates 2 3

CHASSIS

Chassis A C/F

Chassis Insert _____

LiPo Position
 1 2 3 4 5 6 7 8

X Brace _____

Running Weight _____

Notes: _____

EQUIPMENT

E.S.C. _____

Servo _____

RX _____

LiPo _____

Bodyshell _____

WEIGHTS

Notes: _____