



LED Light Bar Kit Installation Instructions

Covers Parts #7885

Kit Contents:

- High-Voltage Power Amplifier
- 3x12mm button-head screws (2)
- Front LED light bar
- 3x8mm cap-head screws (2)
- Rear LED light bar mount
- 3x10mm flat-head screws (2)
- Rear LED light bar
- Extension harness (long)
- Extension harness (short)
- 2.5x10mm button-head screws (2)
- Zip ties (10)

Tools needed:

- Tapered body reamer (part #3433 or #3433X, sold separately)
- 1.5mm hex wrench
- 2.0mm hex wrench
- 2.5mm hex wrench



CAUTION: RISK OF INJURY!

Always wear eye protection when using motorized tools. Use care with hobby knives, tapered reamers, and other cutting tools as they are extremely sharp and can cause severe injury, deep cuts, and/or punctures.

Compatible with the following Traxxas electronic speed controls (sold separately):

- Velineon® VXL-6s (part #3485)
- Velineon® VXL-8s (part #3496)

Body modification (Fig. 1):

1. Install the included template on the truck body. Align the arrows with the roof line and rear window as shown in Fig. 1.
2. Using a tapered body reamer, carefully cut the holes in the truck body for the screw bosses on the rear LED light bar mount and the rear light bar connectors (*note the hole diameters indicated on the templates and the corresponding diameter measurements on the body reamer*).

Tapered Body Reamer Diameter Measurements

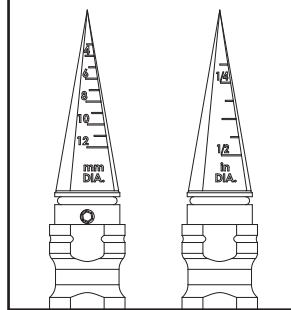
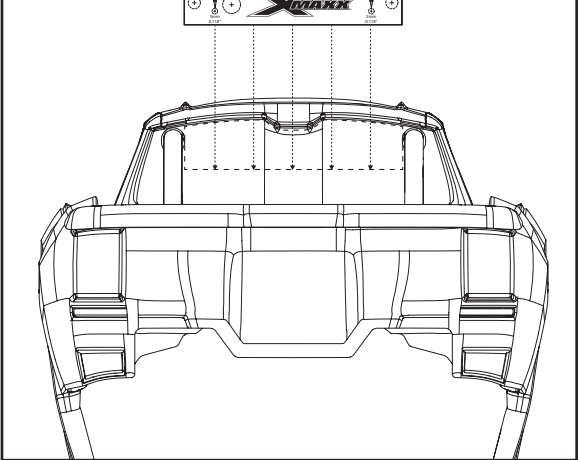


Fig. 1



CAUTION! To prevent damage to the electronic speed control (ESC) and/or the high-voltage power amplifier, ensure the batter(ies) are disconnected before plugging the amplifier into the ESC.

High-Voltage Power Amplifier Installation (Fig. 5):

1. Install the high-voltage power amplifier (A) on the truck chassis. Ensure that the connectors on the amplifier face the front of the vehicle. Secure with the 3x12mm button-head screws (2). Refer to the assembly diagram (Fig. 5) and wiring diagram (Fig. 6).
2. Remove the 3x25mm button-head screws (2) from the electronic speed control (ESC) to remove the cooling fan cover (Fig. 2).
3. Remove the accessory port cover (Fig. 2); then, reinstall the cooling fan cover on the ESC using the 3x25mm button-head screws. Be careful not to pinch the ESC wires during reinstallation.
4. Plug the 8-pin connector from the high-voltage power amplifier into the accessory port on the ESC (Fig. 3). The amplifier and lights will turn on when the ESC is powered on.

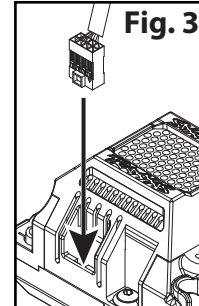


Fig. 3

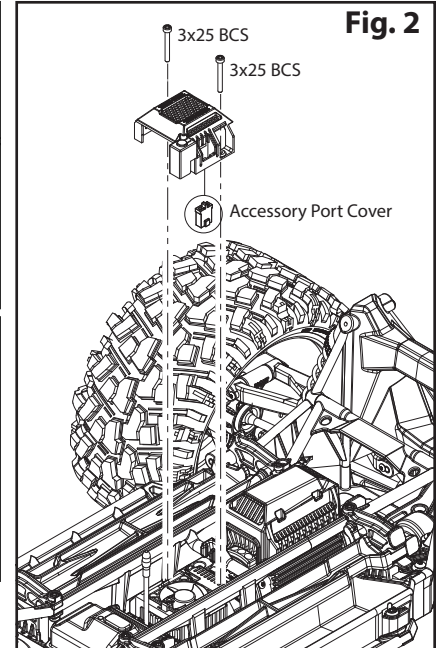


Fig. 2

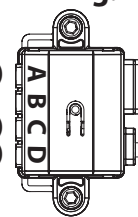
LED Light Bar Installation (Fig. 5):

1. Install the front and rear LED light bars; refer to the assembly diagram (Fig. 5) and wiring diagram (Fig. 6).
2. Install the front LED light bar (B) on the front bumper using the included 3x8mm cap screws (2). Plug the connector into the high-voltage power amplifier port A (white) (Fig. 4).
3. Install the rear LED light bar mount (C) on the truck body using the included 3x10mm flat-head screws (2).
4. Attach the rear LED light bar (D) to the mount using the included 2.5x10mm button-head cap screws (2).
5. Route the connectors from the rear light bar through the larger reamed hole to the inside of the truck body. Plug the connectors (red and blue) into the long extension harness. Use the supplied zip ties to attach the long extension harness to the rear light bar mount.
6. Plug the short extension harness into the high-voltage power amplifier ports (red connector to C, blue connector to D) (Fig. 4). Plug the other end (large black connector) into the long extension harness.
7. Use the supplied zip ties to secure all wiring to the chassis.

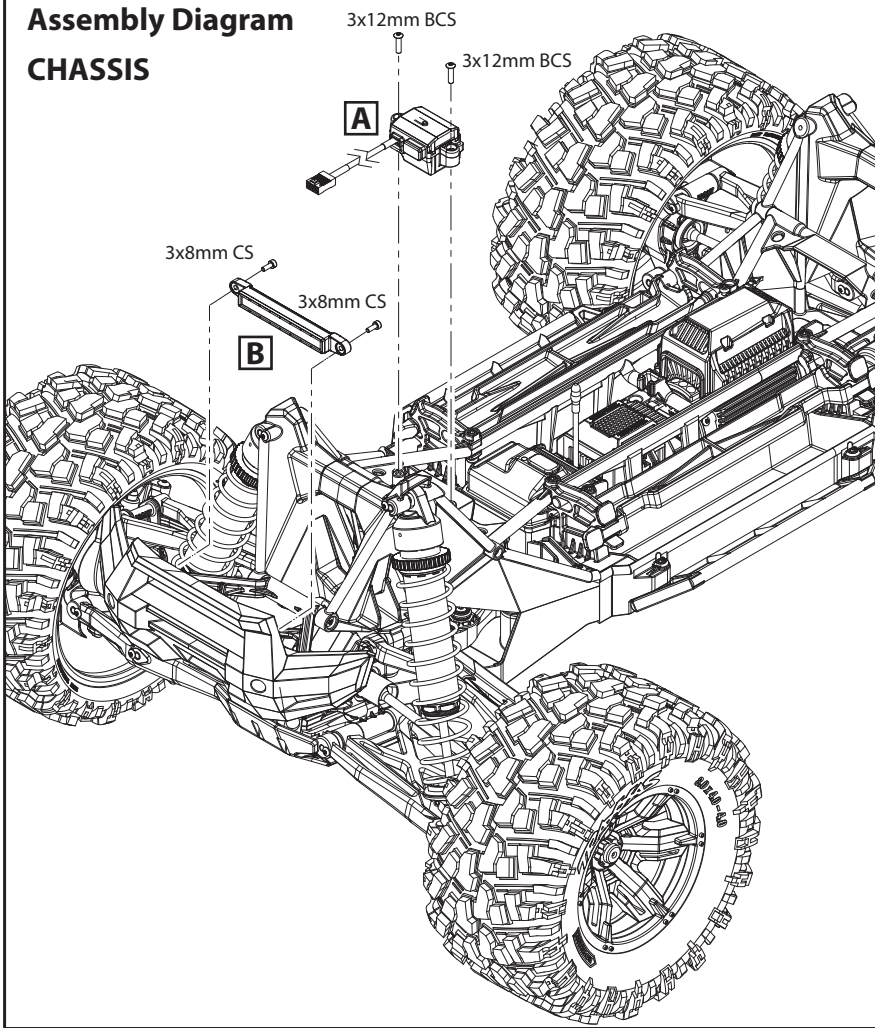
High-Voltage Power Amplifier Connection Ports

Fig. 4

- Front LED Light Bar (white)
- Rear LED Light Bar (tail lights) (red)
- Rear LED Light Bar (reverse lights) (blue)



Assembly Diagram
CHASSIS



BODY

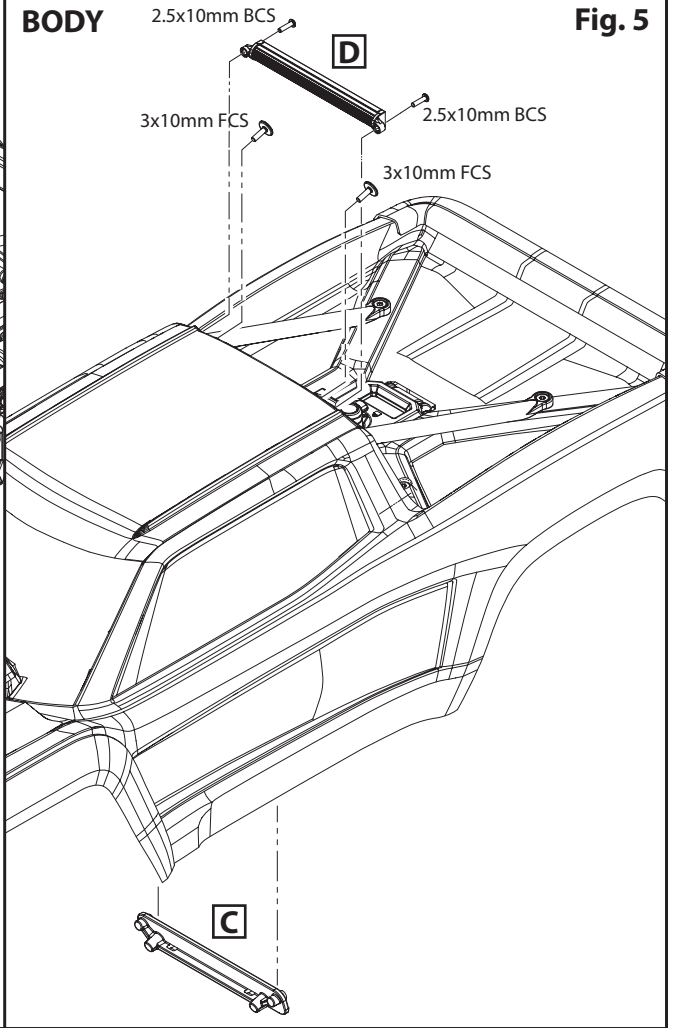


Fig. 5

Wiring Diagram

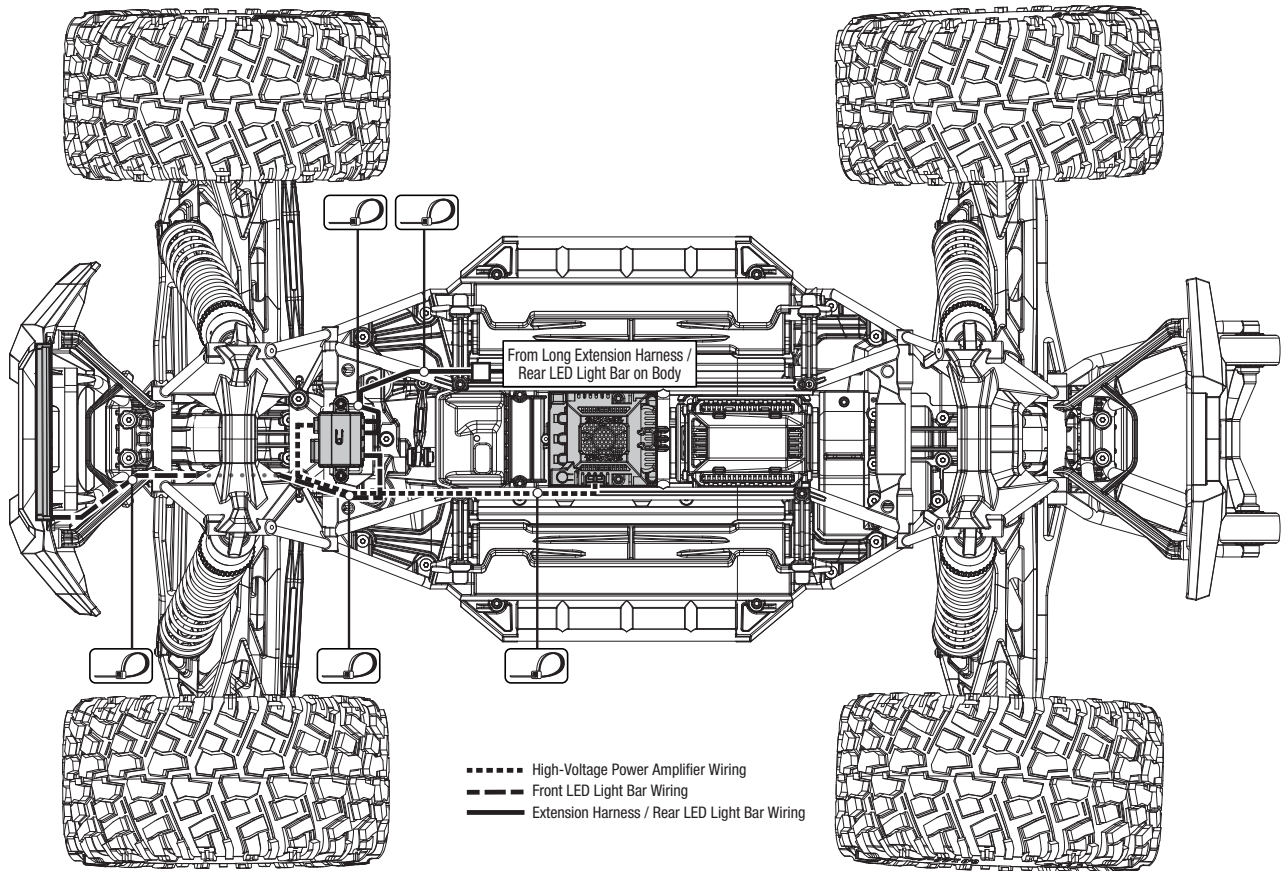


Fig. 6

High-Voltage Power Amplifier Operation

Default Setting: Low Beam Mode

Connector	Channel	Default Connection	Default Setting
A	1	Low Beam Headlights	On
	2	High Beam Headlights	Off
B	3	Not used	N/A
	4	Not used	N/A
C	5	Tail Lights	On
	6	Brake Lights	On when braking
D	7	Reverse Lights	On when reversing
	8	Not used	N/A



Change the high-voltage power amplifier settings and gain access to additional functions using the Traxxas Link App (available in the Apple App StoreSM or on Google PlayTM). The TQi transmitter with the Traxxas Link Wireless Module (part #6511, sold separately) are required.

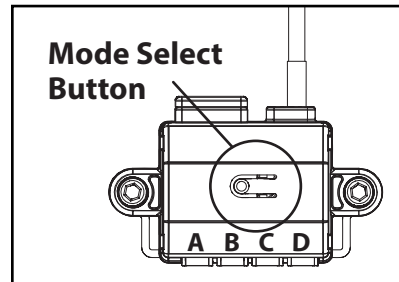
This device complies with FCC Part 15 & IC RSS-210 rules subject to the following conditions: (1) This device may not cause harmful interference, and (2) This device must accept all interference received, including interference that may cause undesired operation.

App Store is a service mark of Apple Inc. Google Play is a trademark of Google Inc.

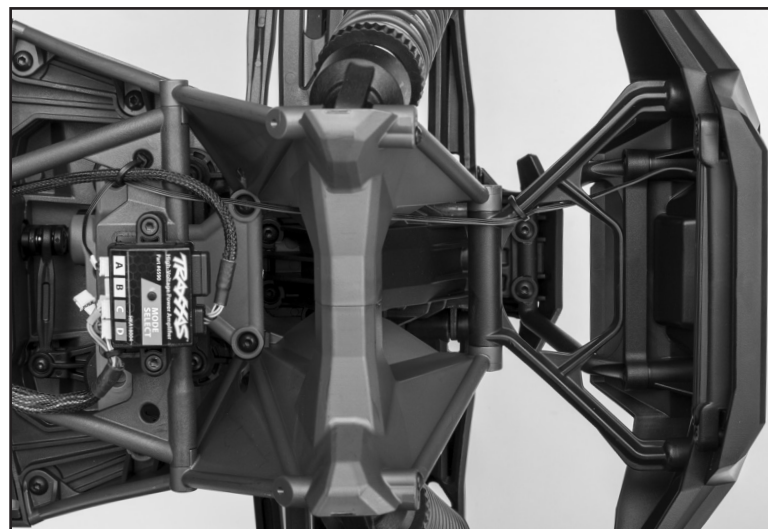
High-Voltage Power Amplifier Mode Selection

Use the **Mode Select** button on the high-voltage power amplifier to toggle through the different lighting modes (from **Low Beam Mode** to **High Beam Mode** to **Daytime Mode**).

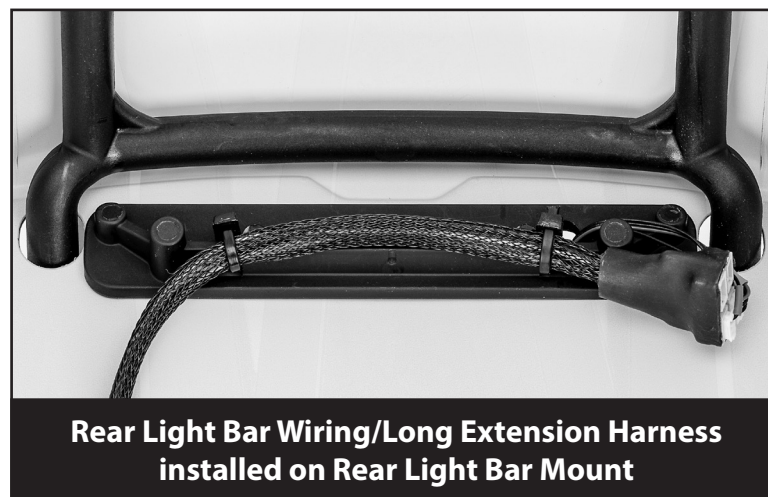
Connector	Channel	Default Connection	Low Beam Mode	High Beam Mode	Daytime Mode
A	1	Front Low Beam Headlights	On	Off	Off
	2	Front High Beam Headlights	Off	On	Off
B	3	Not used	N/A	N/A	N/A
	4	Not used	N/A	N/A	N/A
C	5	Tail Lights	On	On	Off
	6	Brake Lights	On when braking	On when braking	On when braking
D	7	Reverse Lights	On when reversing	On when reversing	On when reversing
	8	Not used	N/A	N/A	N/A



High-Voltage Power Amplifier with Short Extension Harness installed



Front Light Bar Wiring routed to High-Voltage Power Amplifier



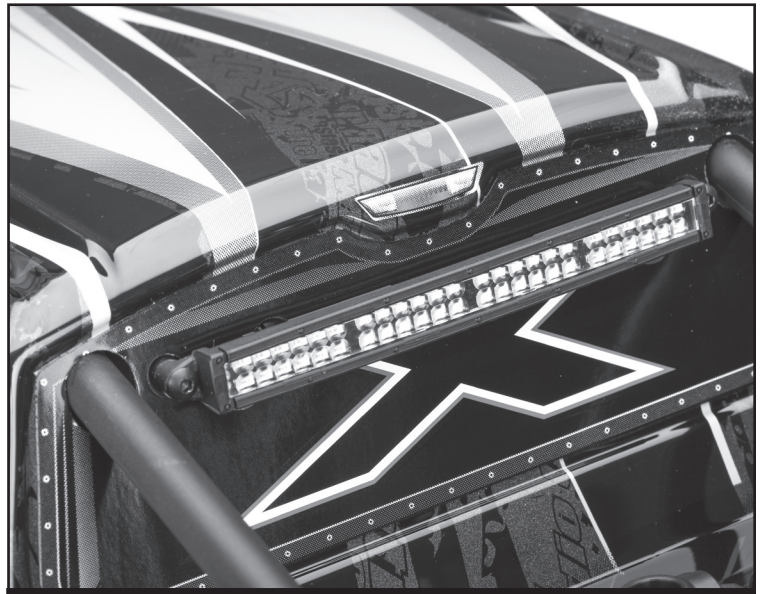
Rear Light Bar Wiring/Long Extension Harness installed on Rear Light Bar Mount



Long and Short Extension Harnesses connected to supply power to LED lights



Front Bumper LED Light Bar installed



Rear LED Light Bar installed on truck body

Warranty Information

Traxxas electronic components are warranted to be free from defects in materials and workmanship for a period of 30 days from the date of purchase.

Limitations: Any and all warranty coverage does not cover replacement of parts and components damaged by abuse, neglect, improper or unreasonable use, crash damage, water or excessive moisture, chemical damage, improper or infrequent maintenance, accident, unauthorized alteration or modification or items that are considered consumable. Traxxas will not pay for the cost of shipping or transportation of a defective component to us.

Traxxas Lifetime Electronics Warranty

After the expiration date of the warranty period, Traxxas will repair electronic components for a flat rate. Please visit Traxxas.com/support for a current schedule of warranty costs and fees. The covered repairs are limited to non-mechanical components that have NOT been subjected to abuse, misuse, or neglect. Products damaged by intentional abuse, misuse, or neglect may be subject to additional charges. Traxxas liability, in no case, shall be greater than the actual purchase price of this product. For replacement, product must be returned in brand new condition, with packaging and itemized sales receipt.

If you have questions or need technical assistance, call Traxxas at

1-888-TRAXXAS

(1-888-872-9927) (U.S. residents only)

TRAXXAS.COM

Traxxas, 6250 Traxxas Way, McKinney, TX 75070, Phone: 972-549-3000, Fax: 972-549-3011, e-mail: support@Traxxas.com