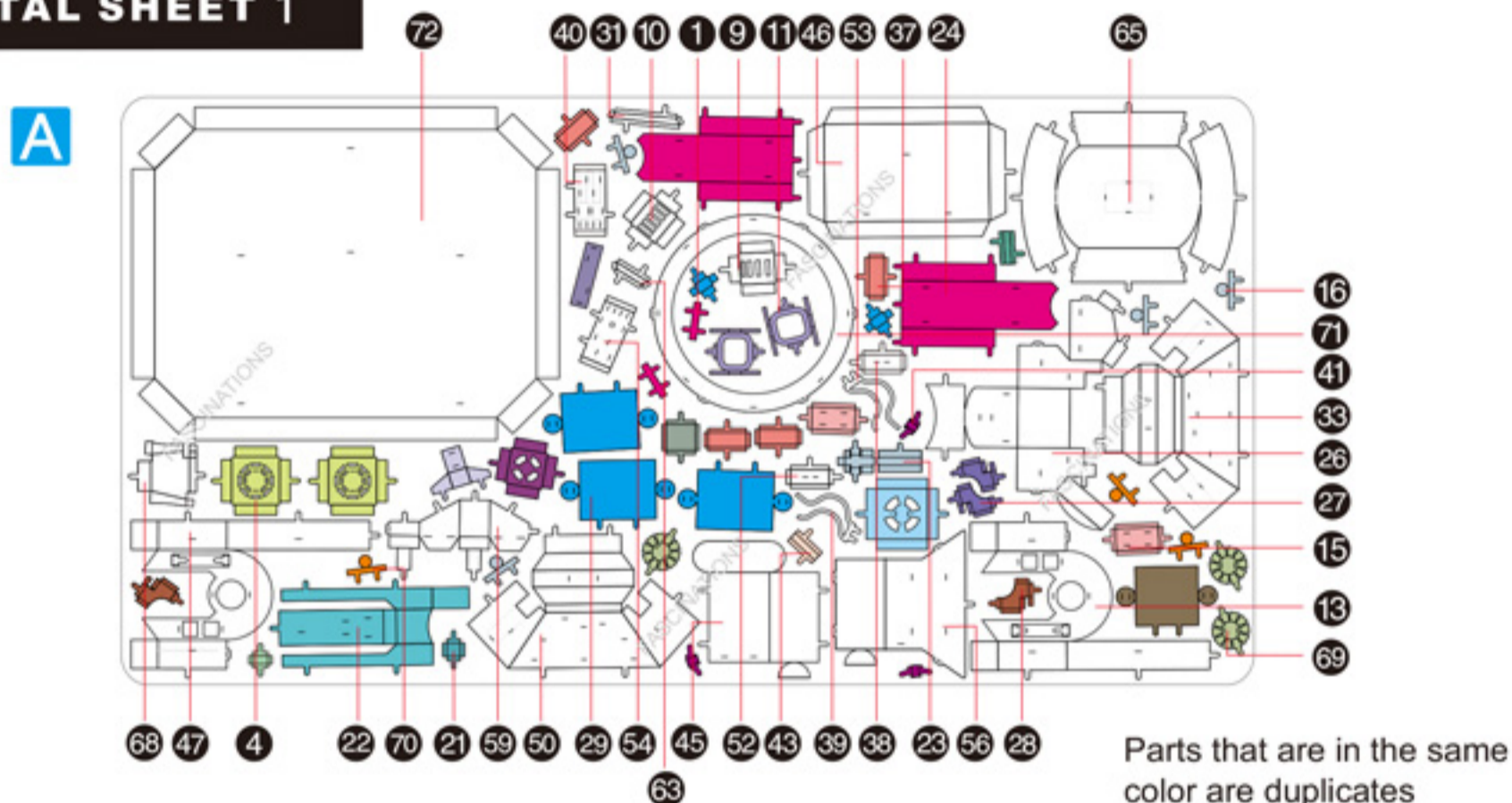
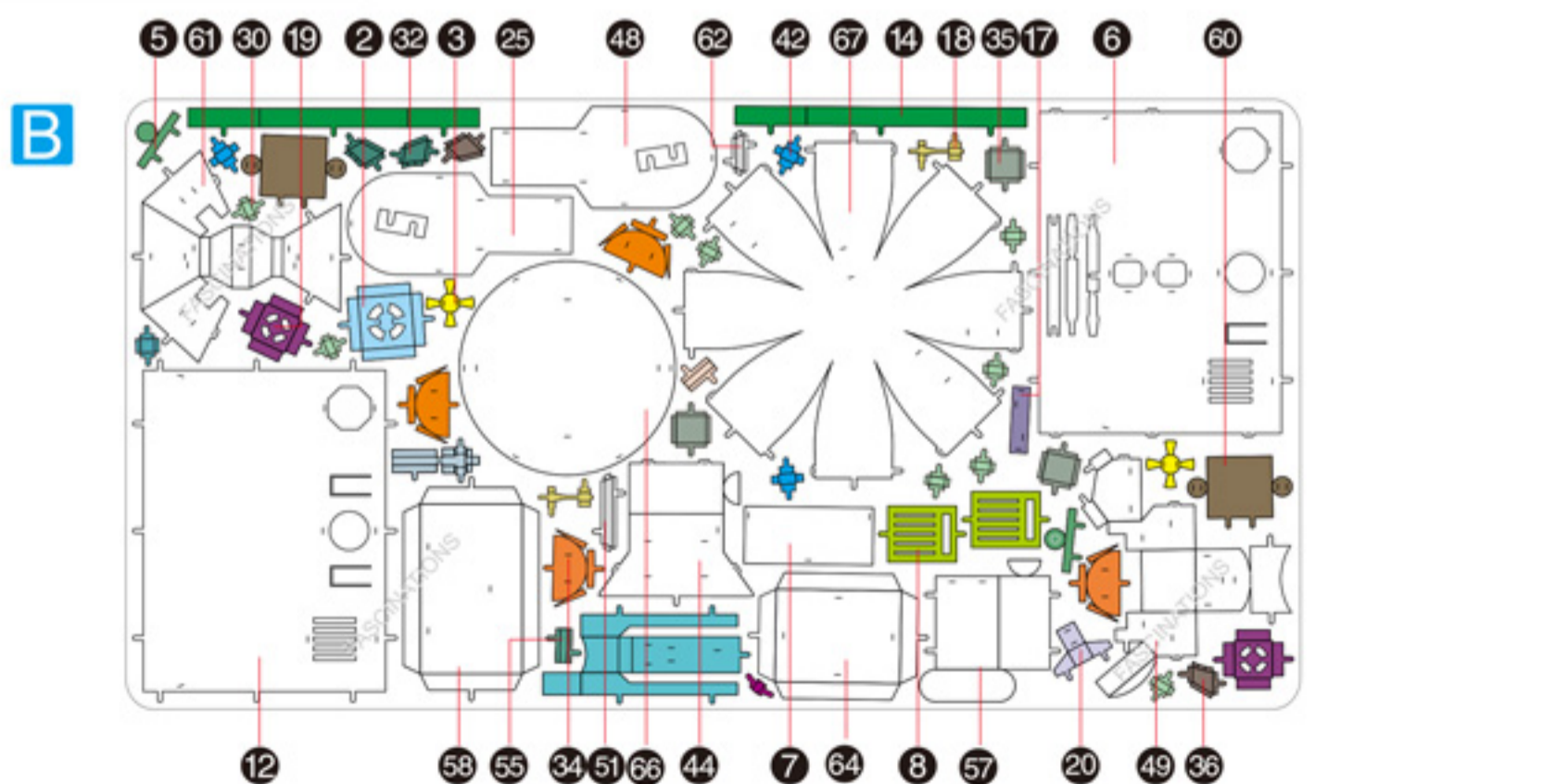


### METAL SHEET 1

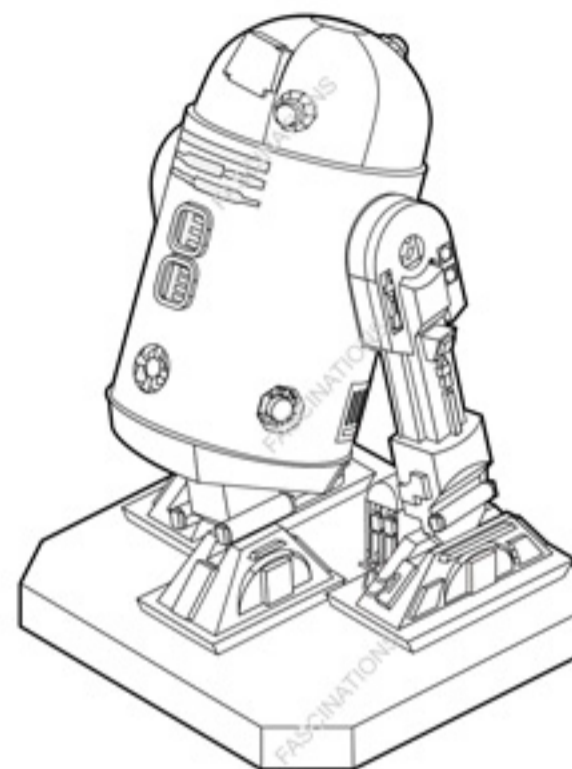


### METAL SHEET 2



**!** In order to avoid possible injury from sharp edges, please carefully discard the metal sheets after parts have been removed.

### ICX 131



It is highly recommended that you visit [www.metalearth.com/360/icx131](http://www.metalearth.com/360/icx131) to see the completed model before assembling your own

### TO CREATE THE BEST CONNECTIONS



#### Legends:

- E** Engraved/Color side
- NE** Non-engraved/Silver side
- !** Attention point
- Insert tab and bend 90 degrees
- ▲** Insert tab and twist 90 degrees

#### Recommended tools:

-Wire cutters: helpful for taking parts from the metal sheets.



-Tweezers or needle nose pliers: helpful for folding parts, bending and twisting tabs.

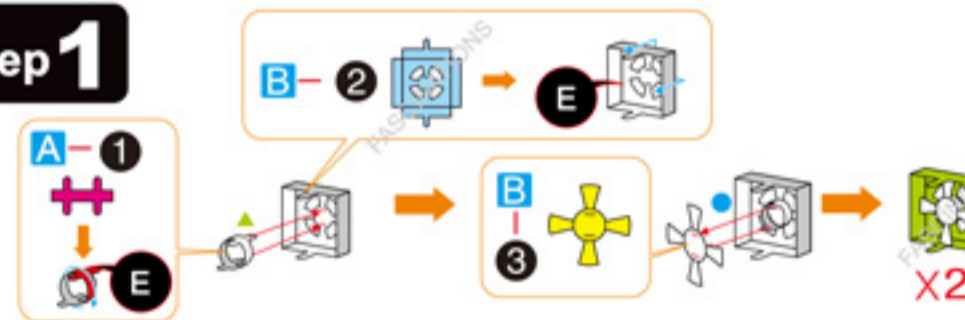


#### Assembly tip:

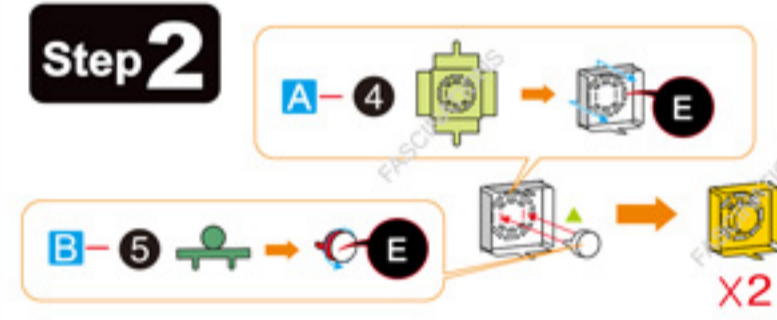
If needed, slightly twist tabs to hold parts together then untwist and bend them down for a nice finish

### ASSEMBLY STEPS

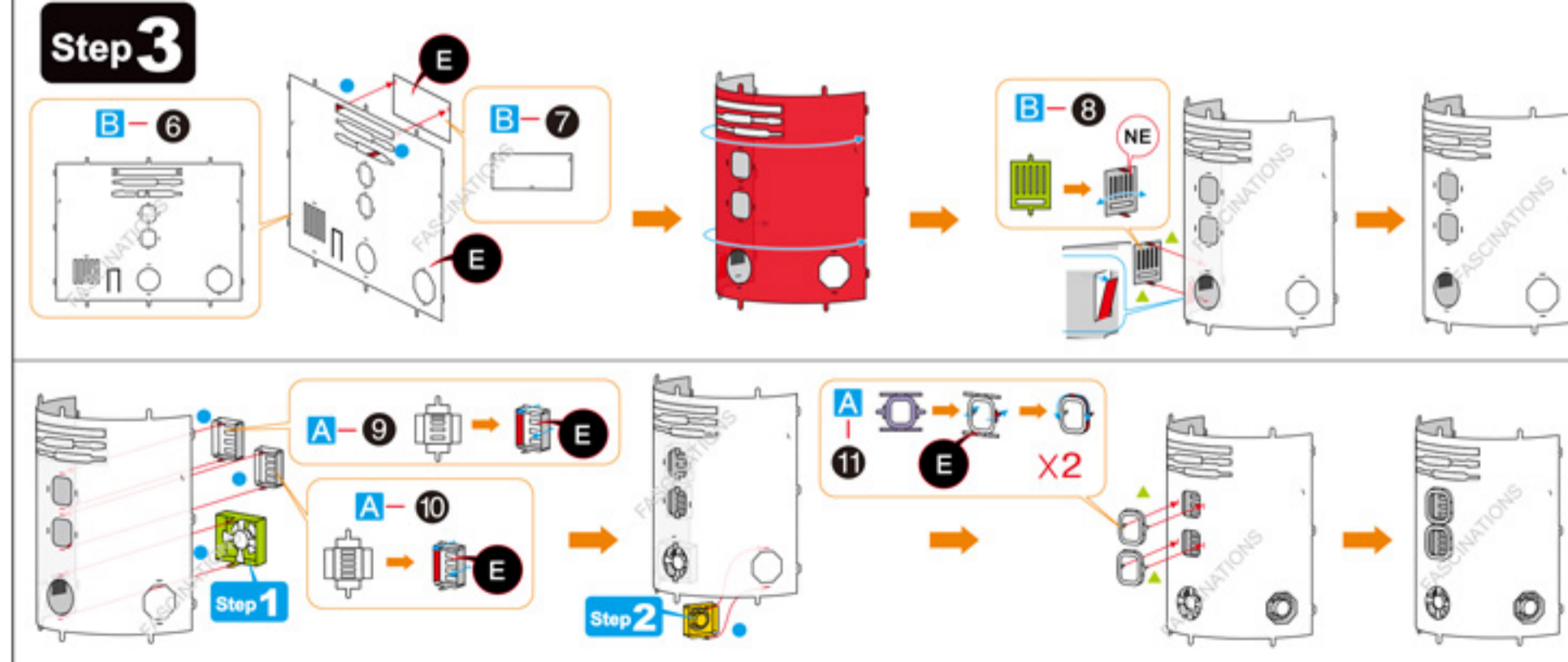
#### Step 1



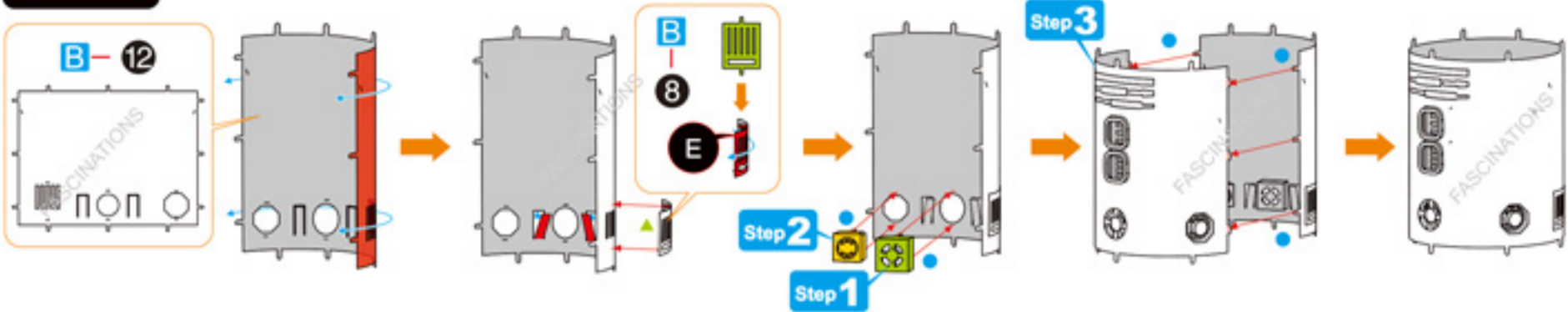
#### Step 2



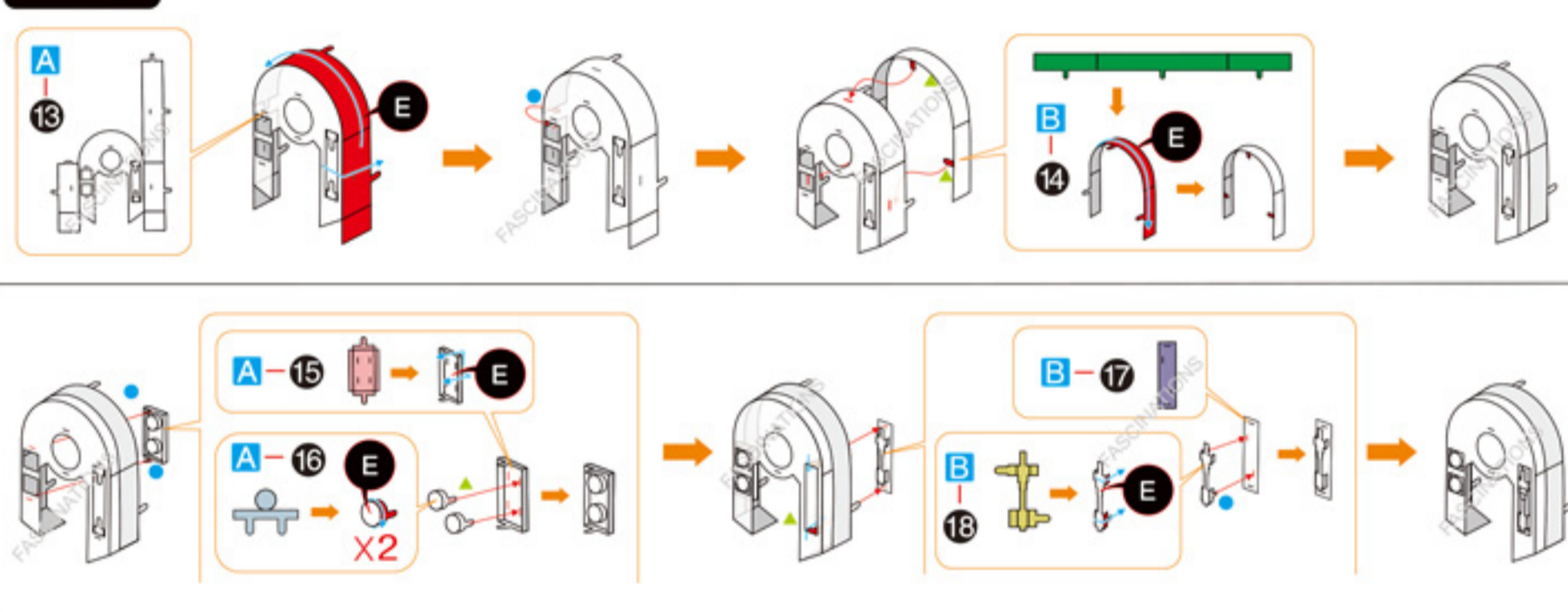
#### Step 3



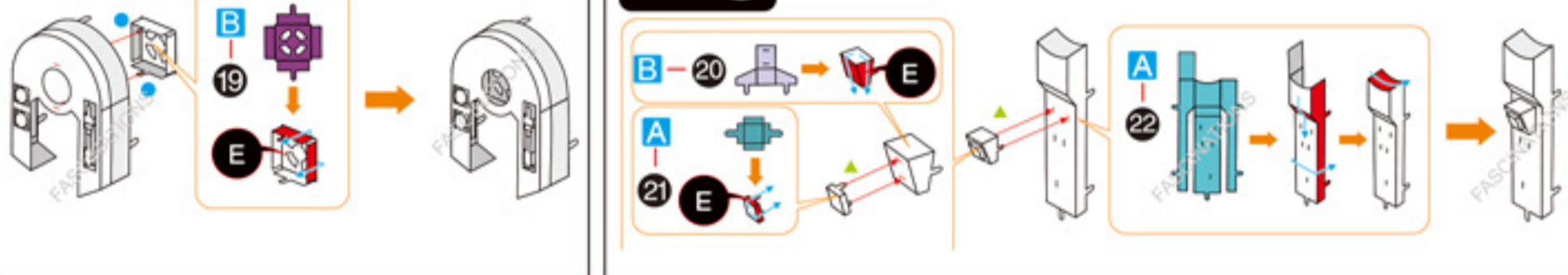
Step 4



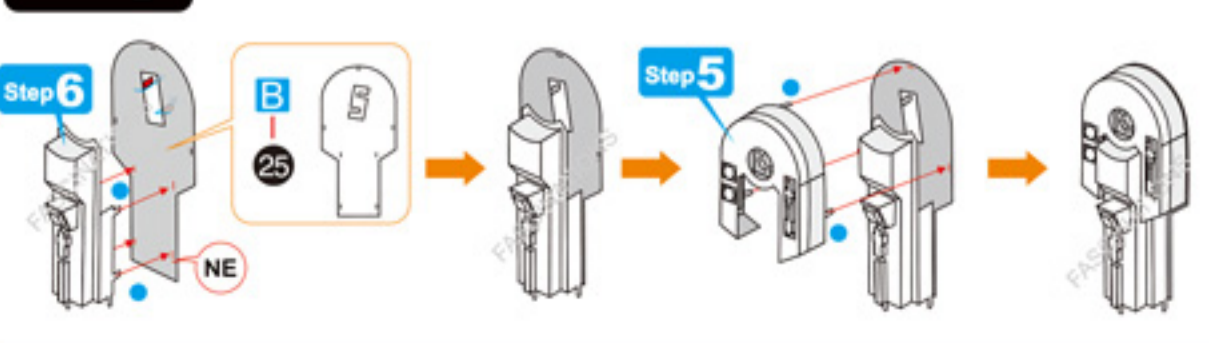
Step 5



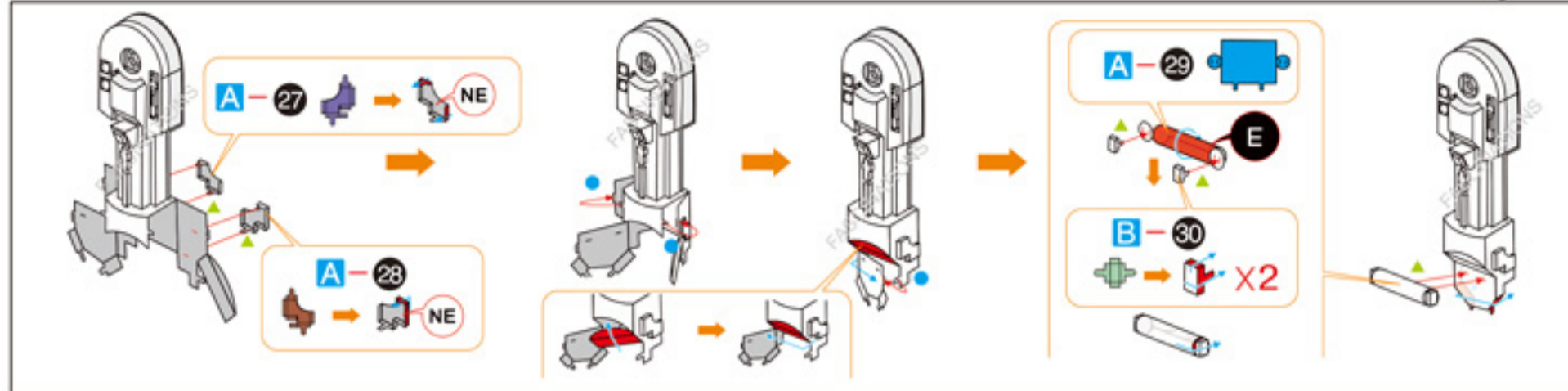
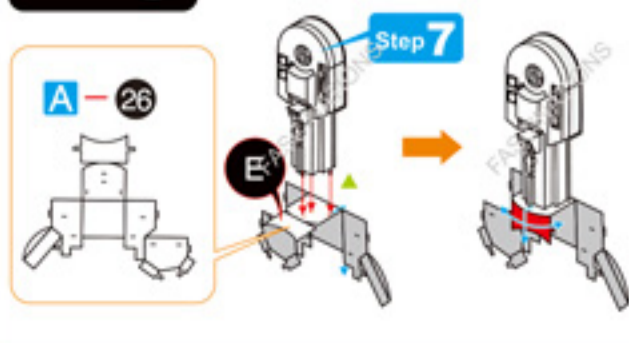
Step 6



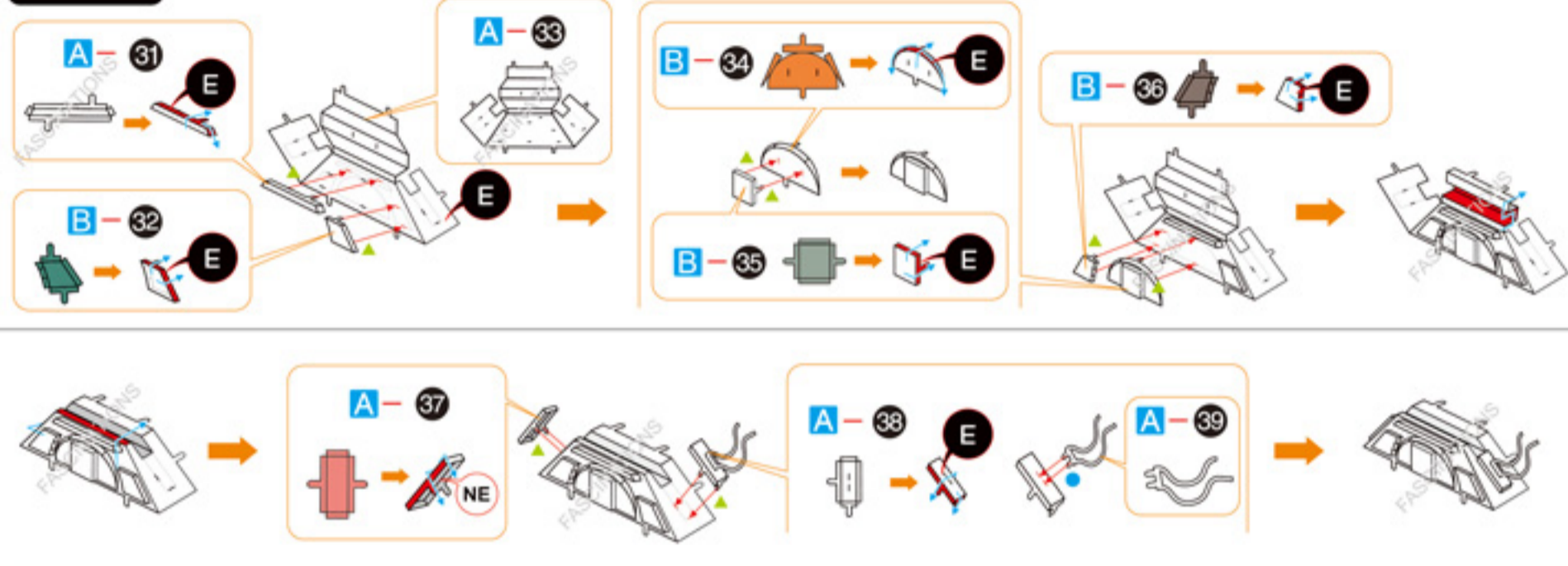
Step 7



Step 8



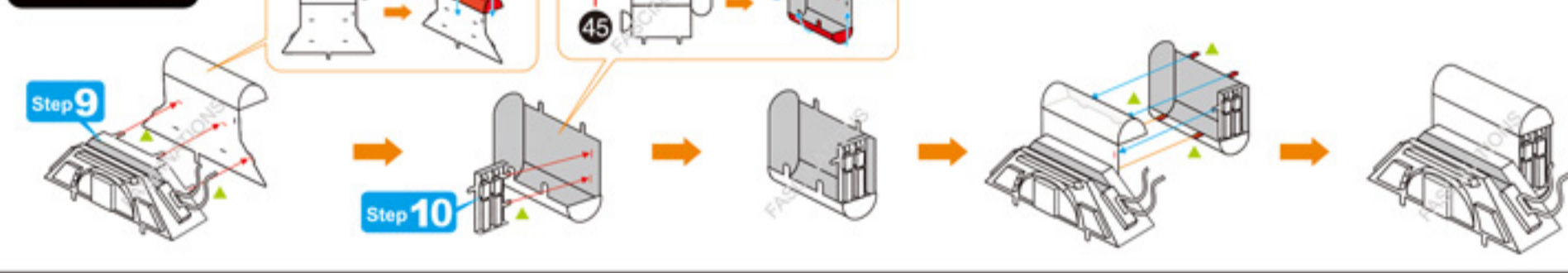
Step 9



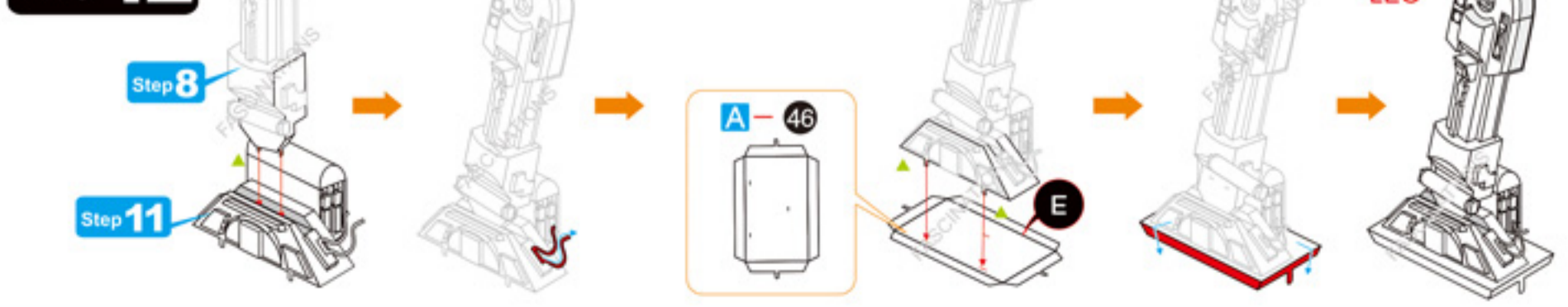
Step 10



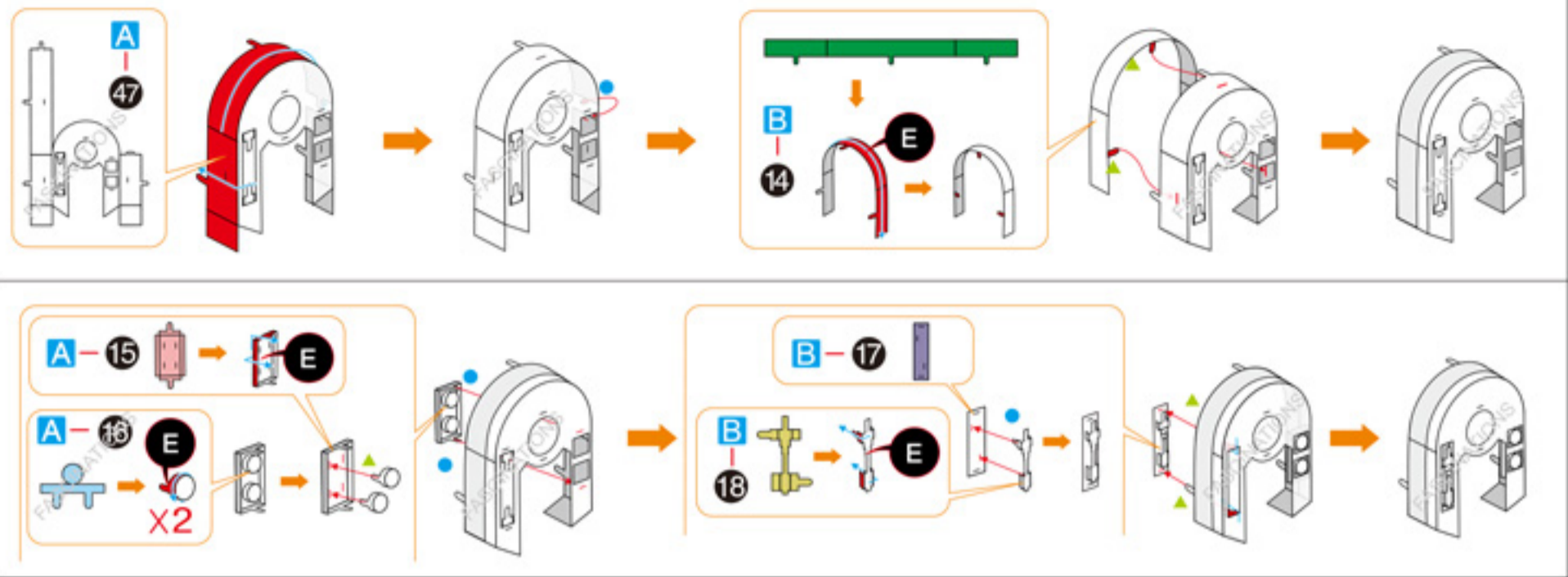
Step 11



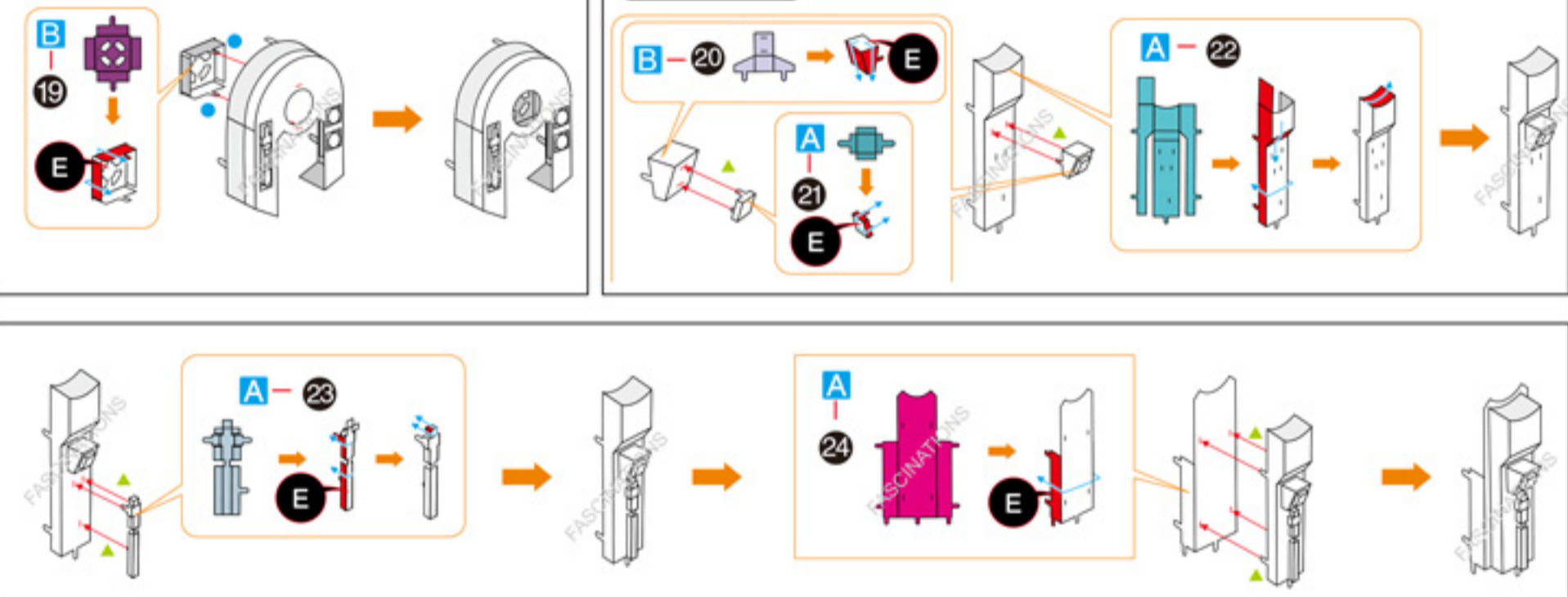
Step 12



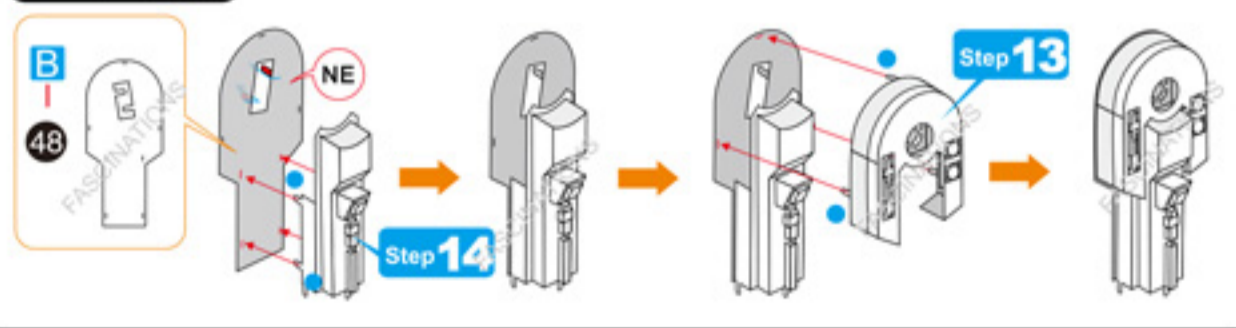
### Step 13



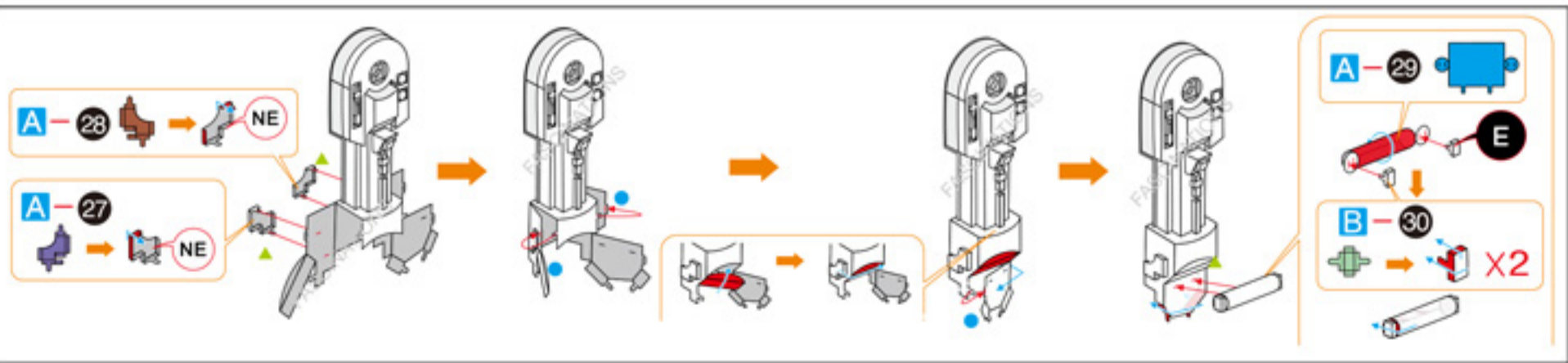
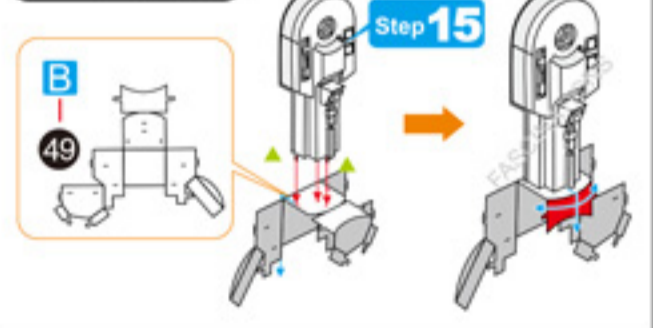
### Step 14



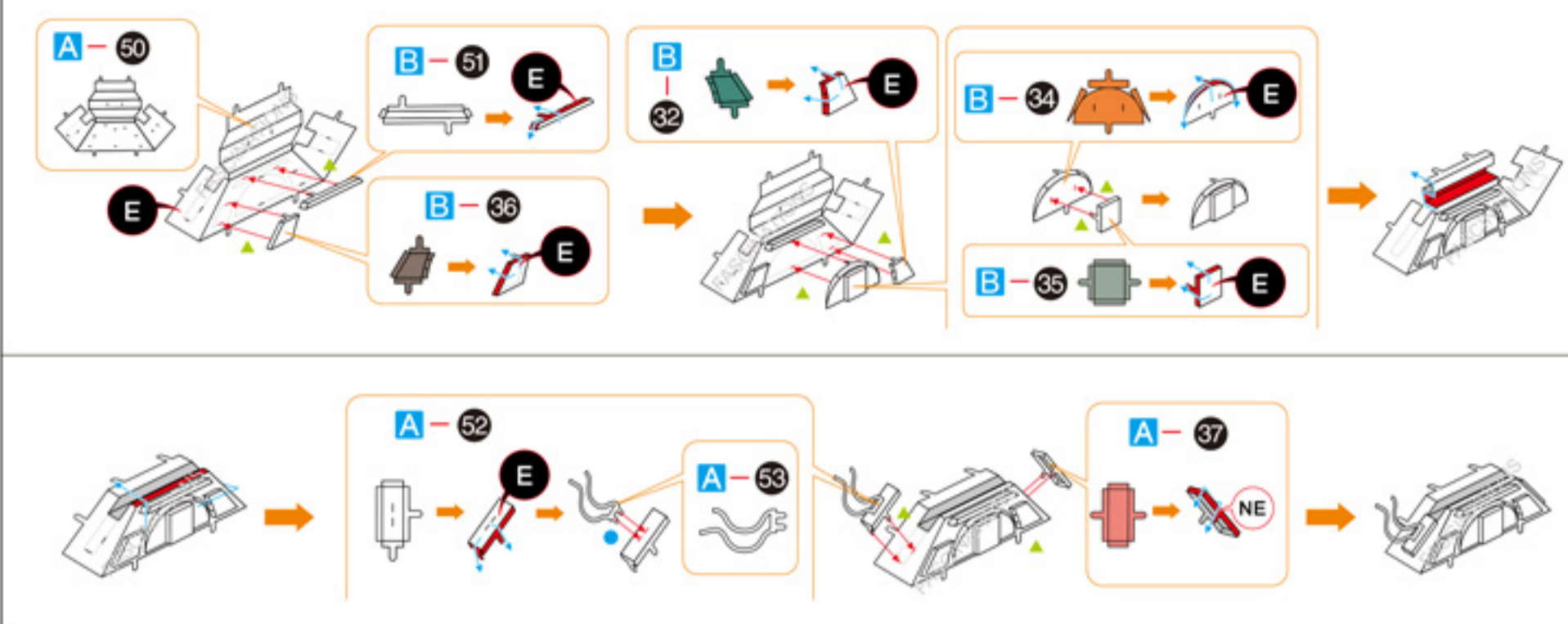
### Step 15



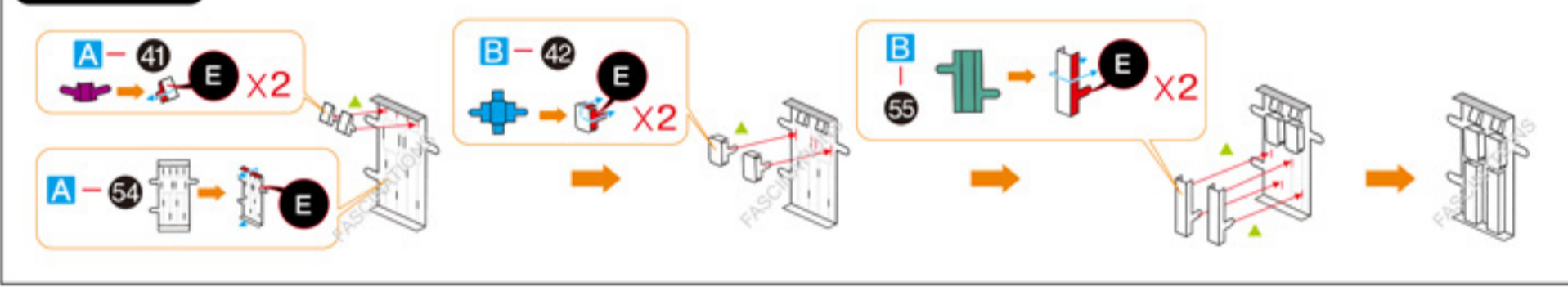
### Step 16



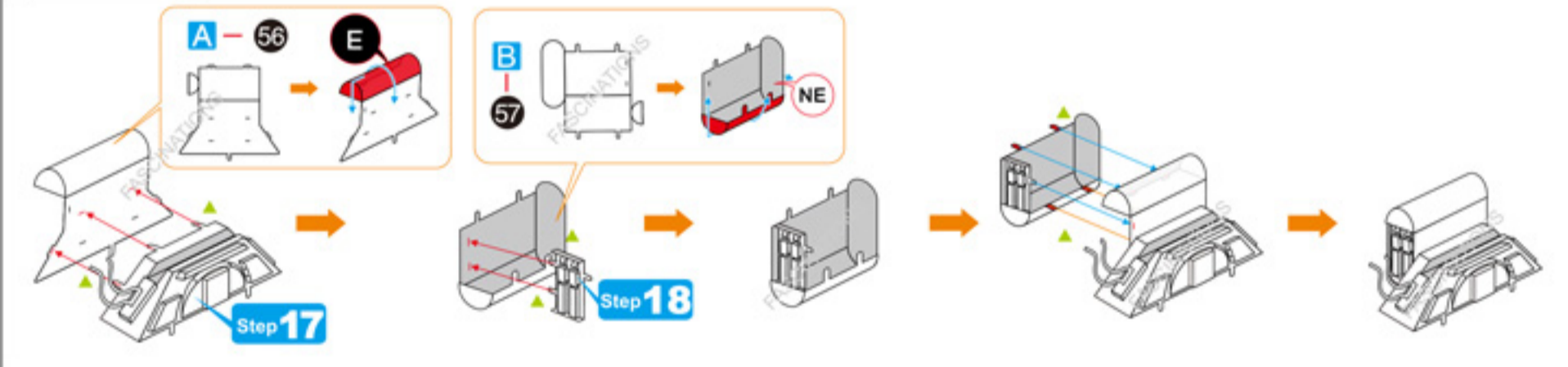
### Step 17



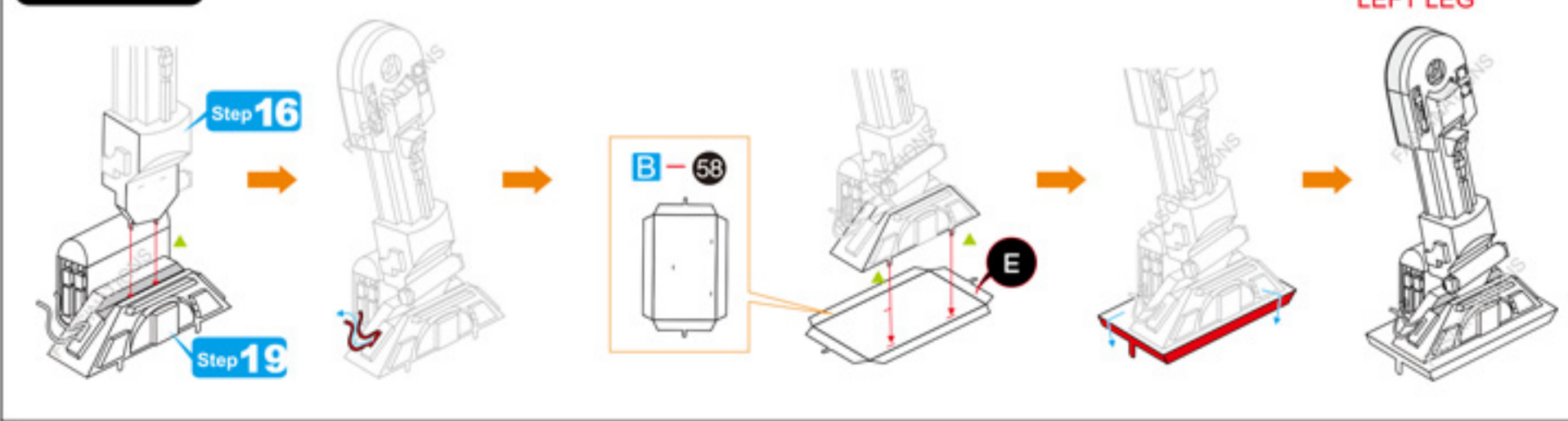
### Step 18



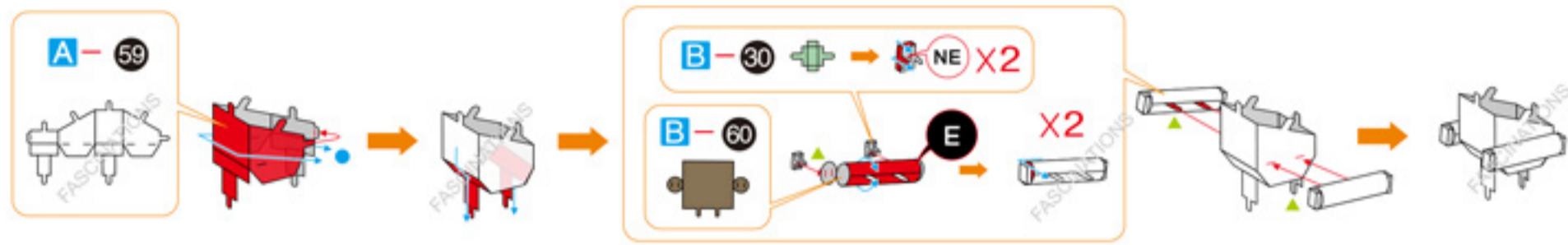
### Step 19



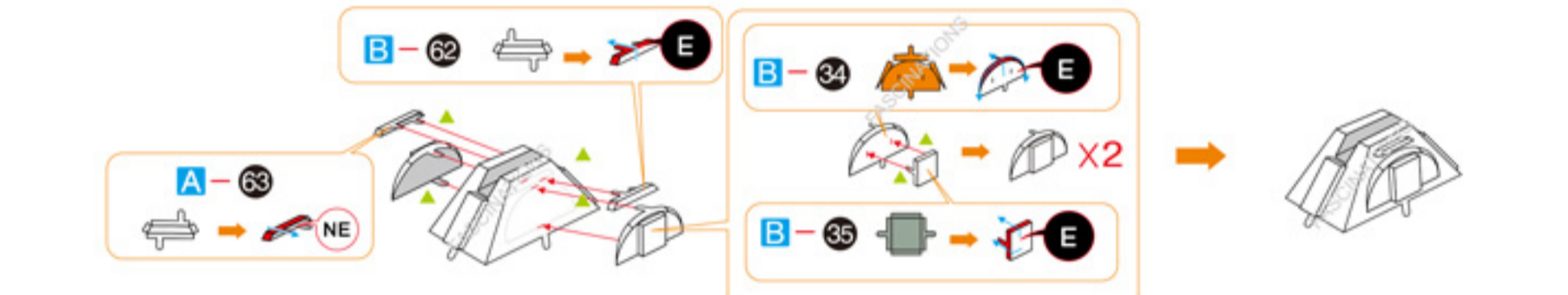
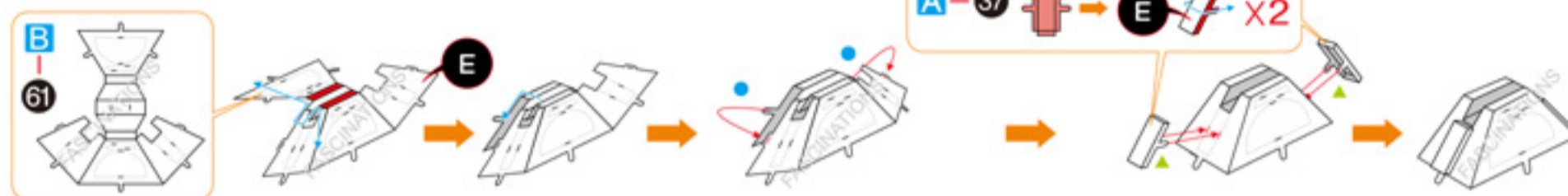
### Step 20



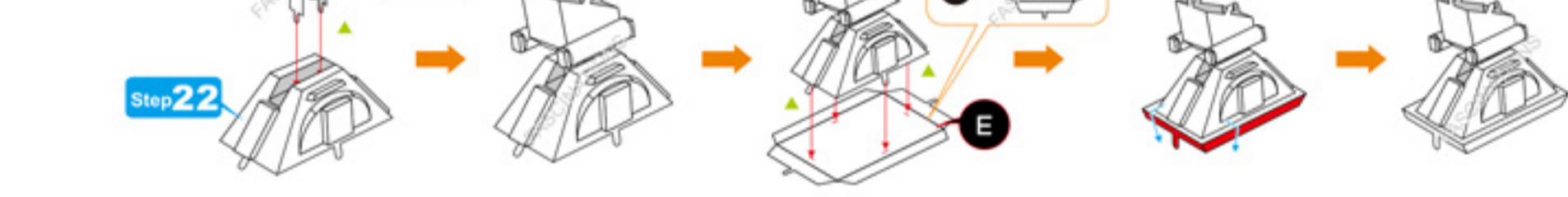
### Step 21



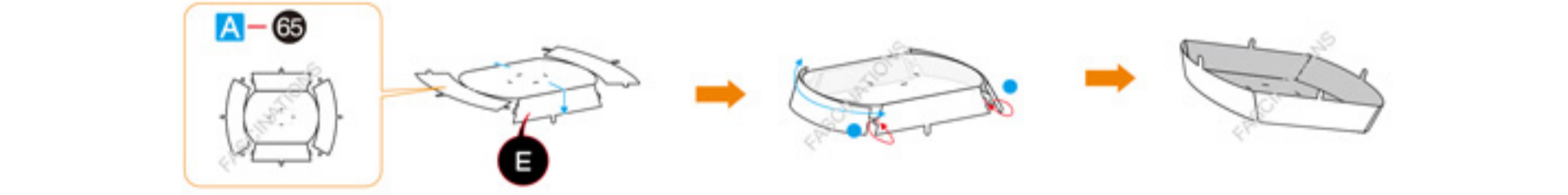
### Step 22



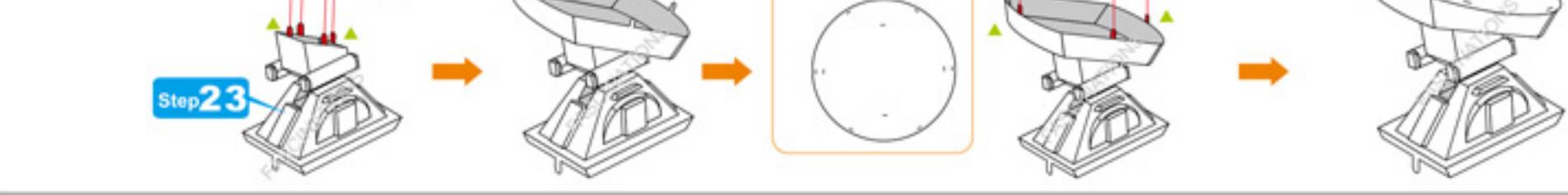
### Step 23



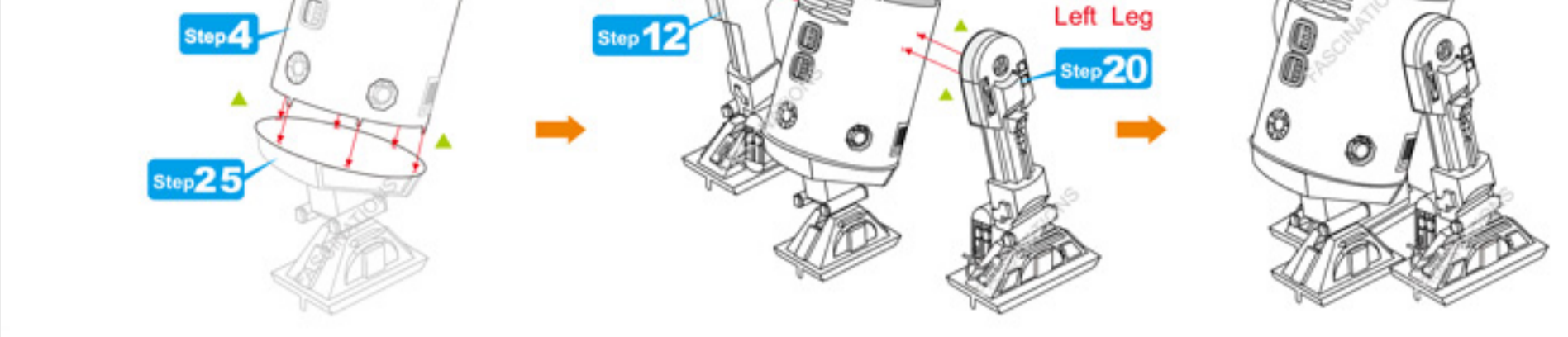
### Step 24



### Step 25

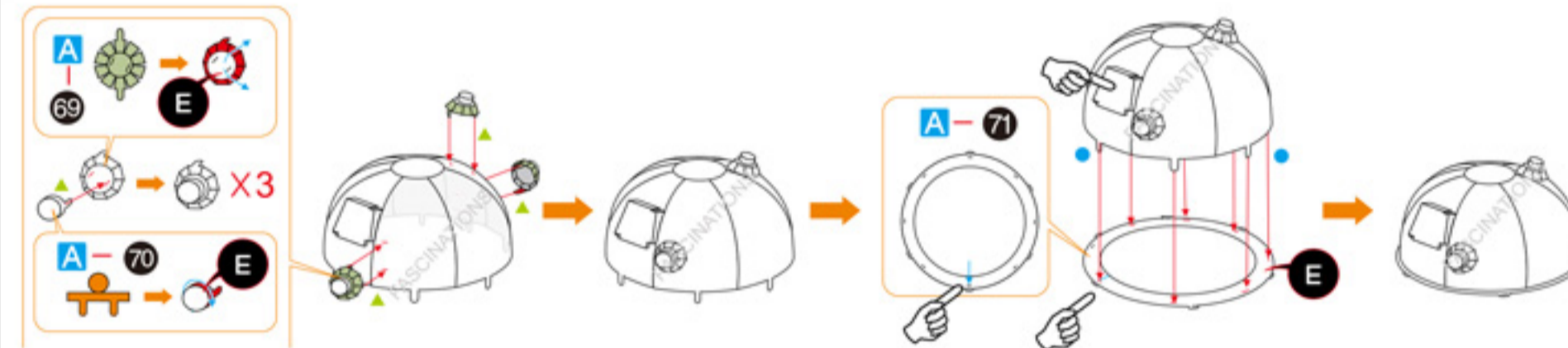
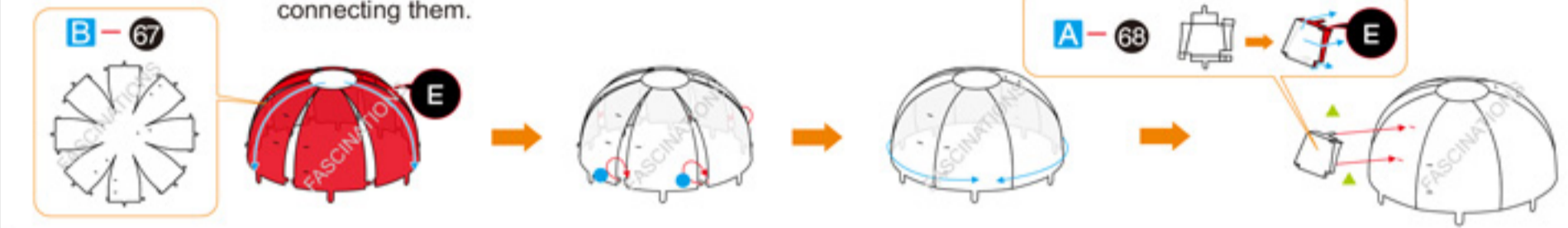


### Step 26



### Step 27

Fold tabs down 90 degrees and holes down 45 degrees before connecting them.



### Step 28

