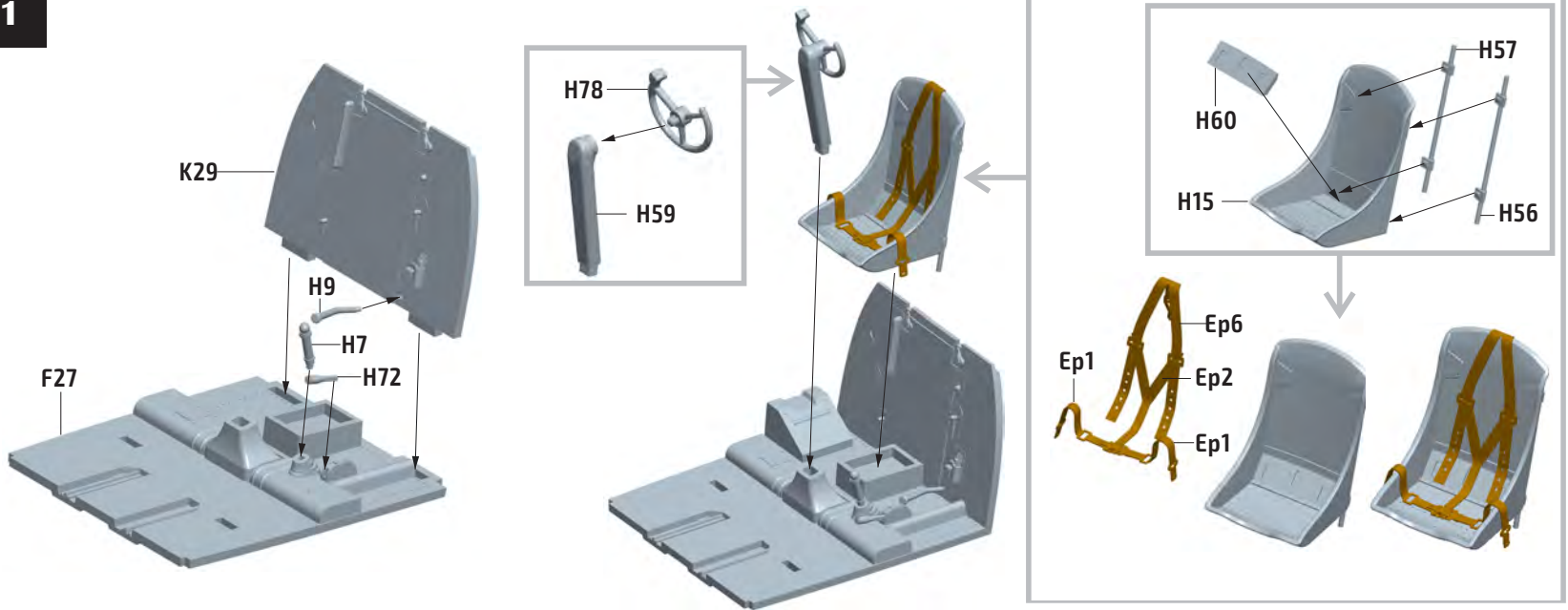
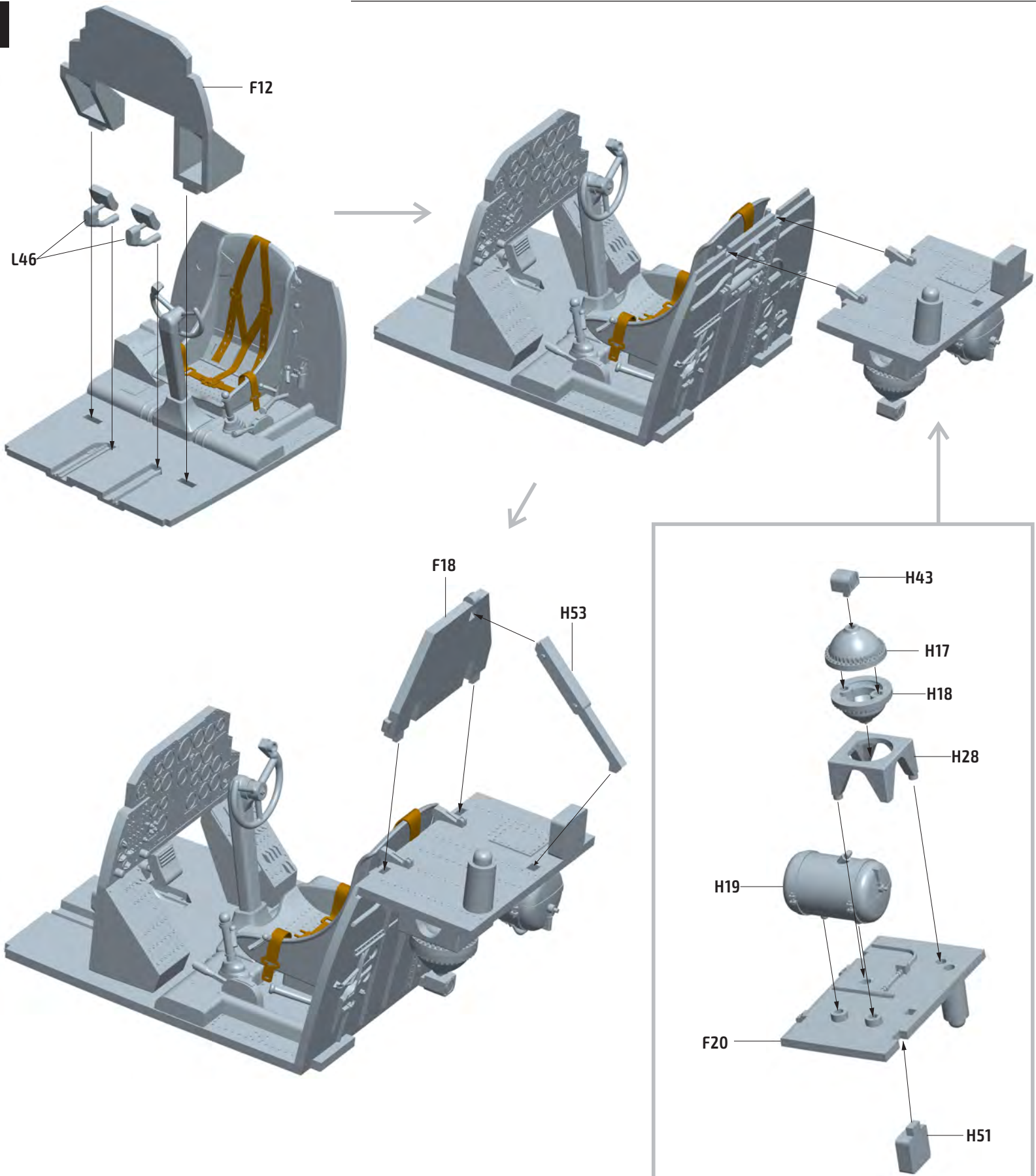


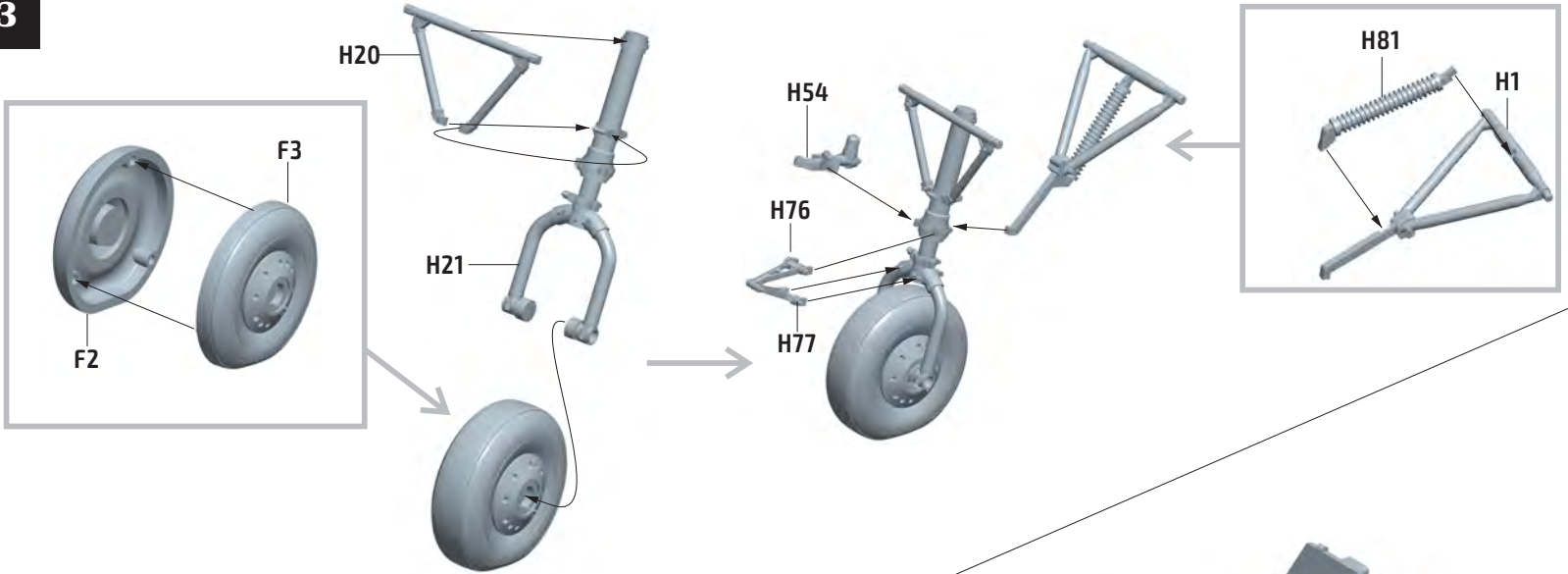
1



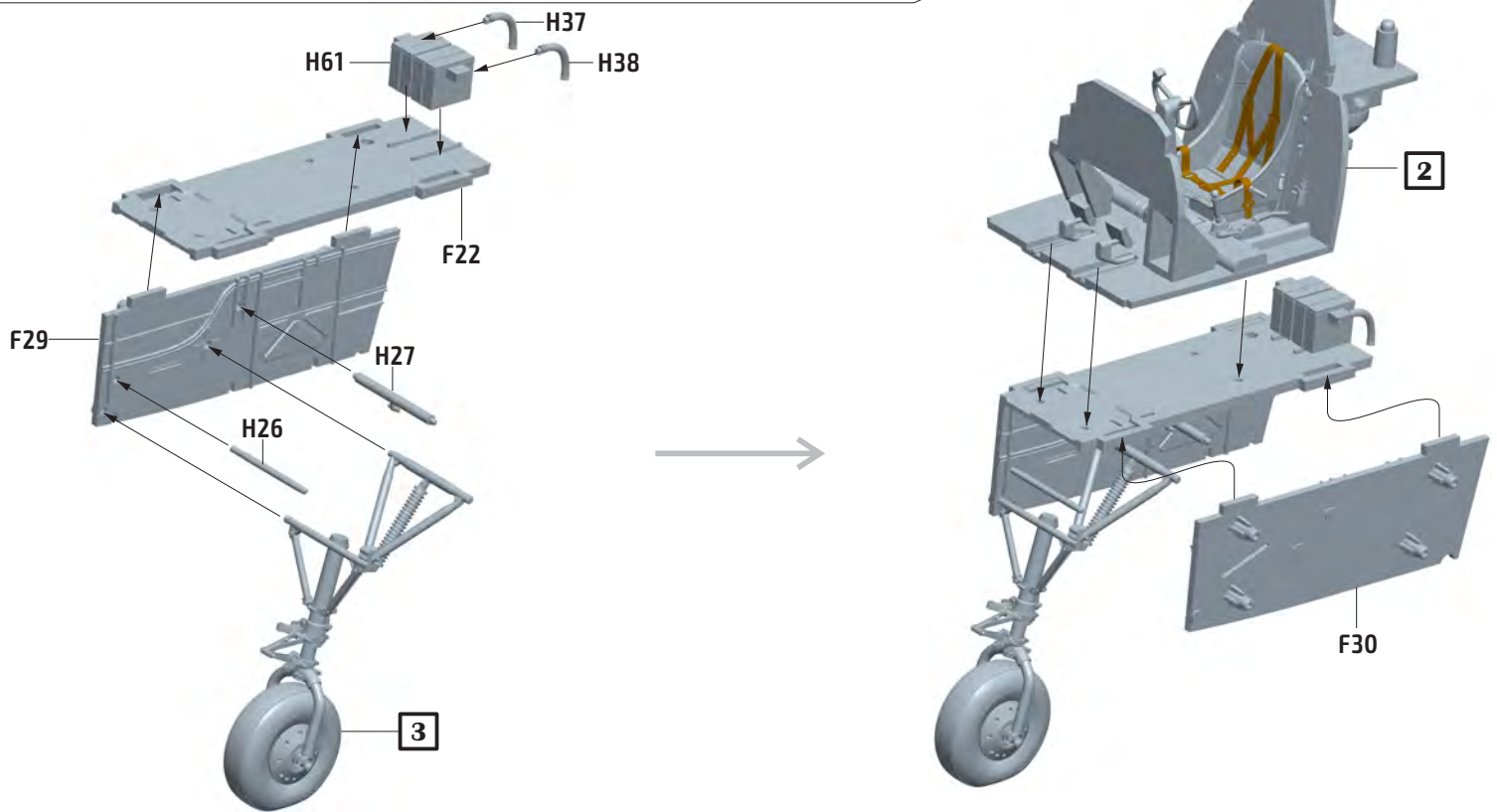
2



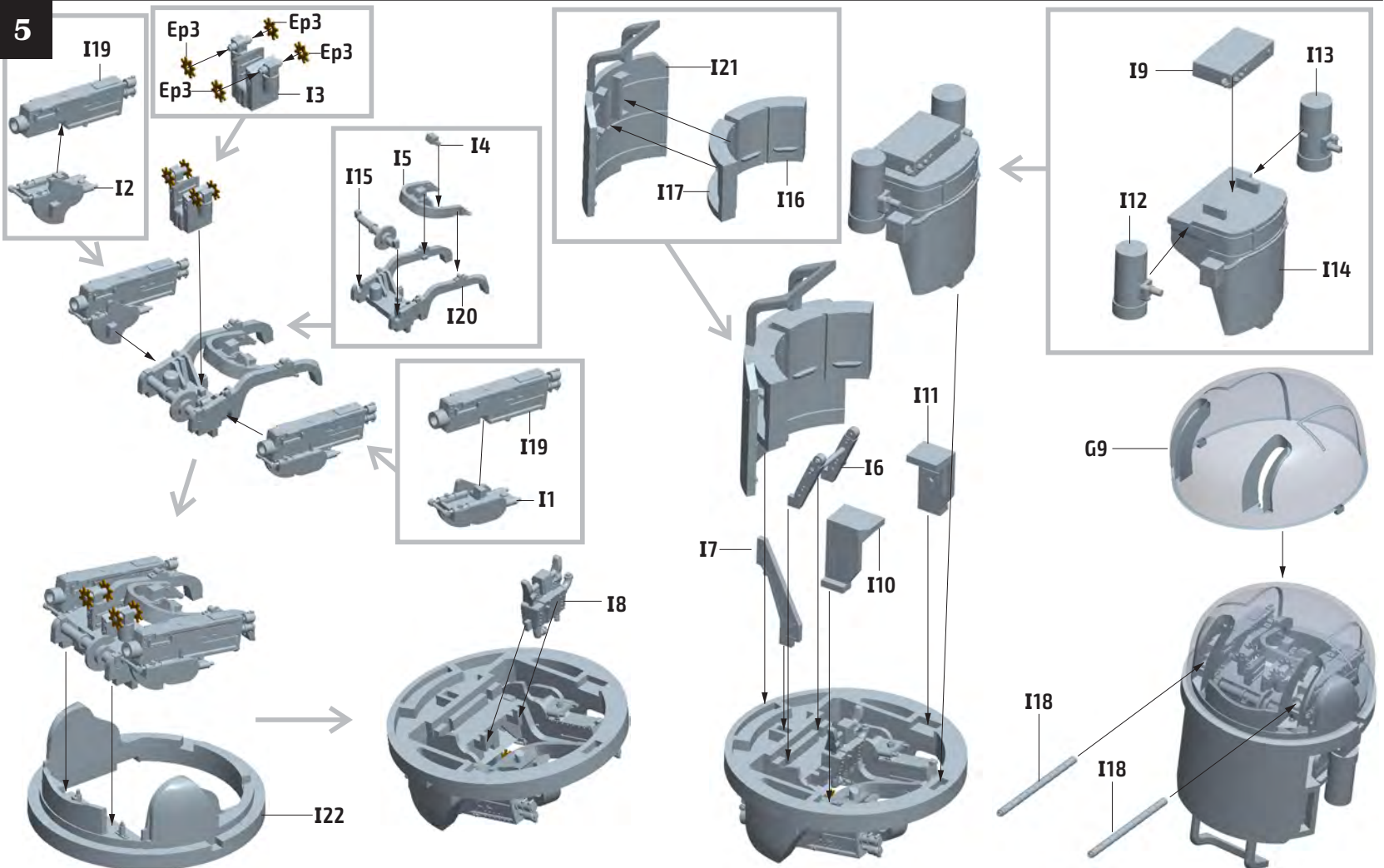
3

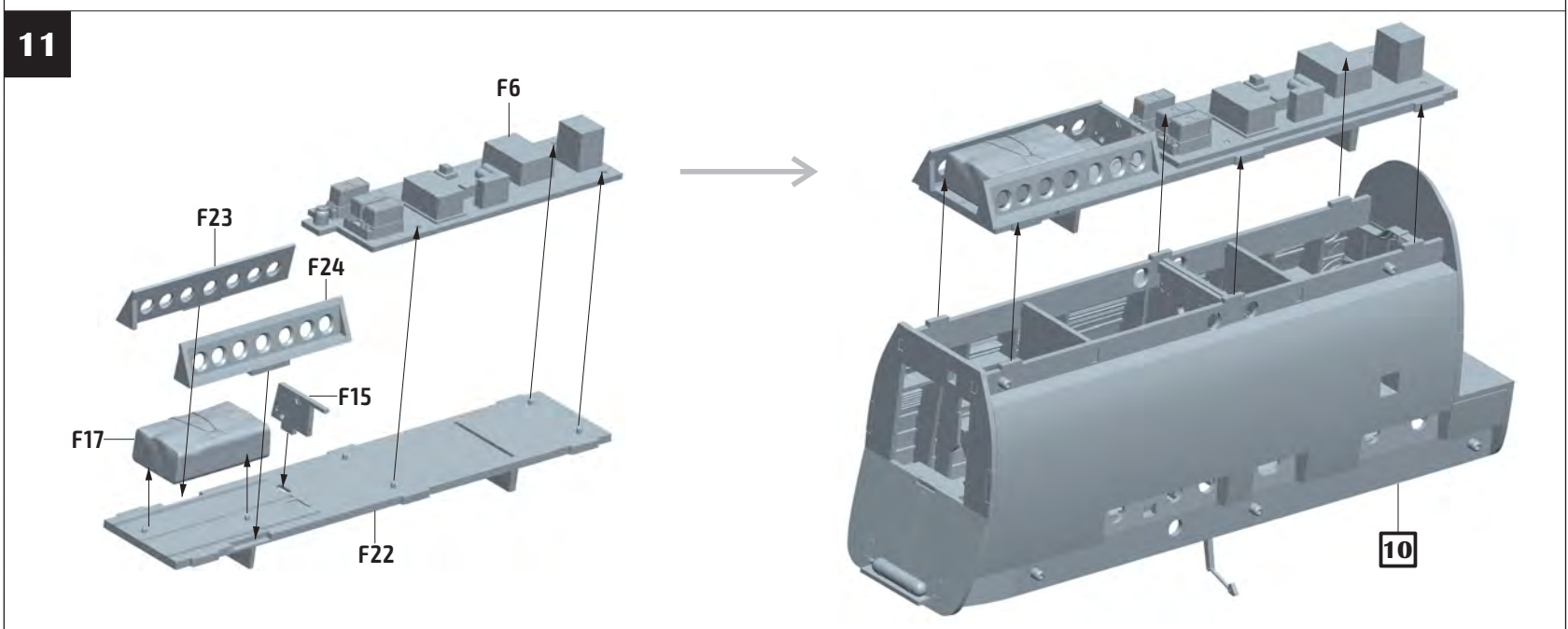
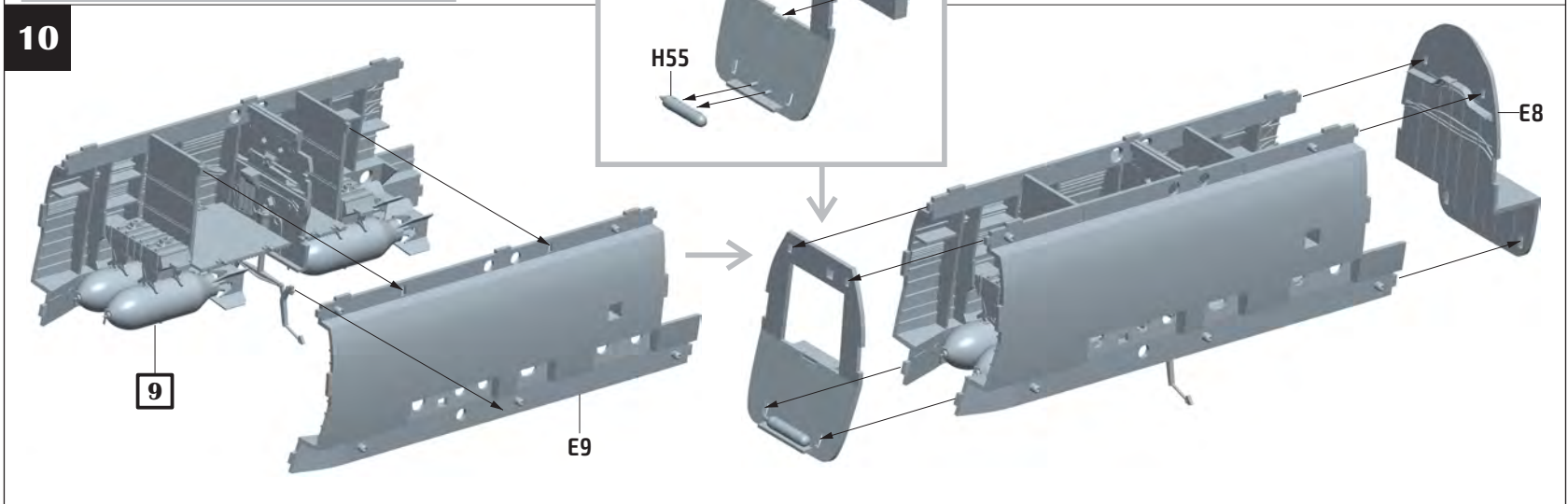
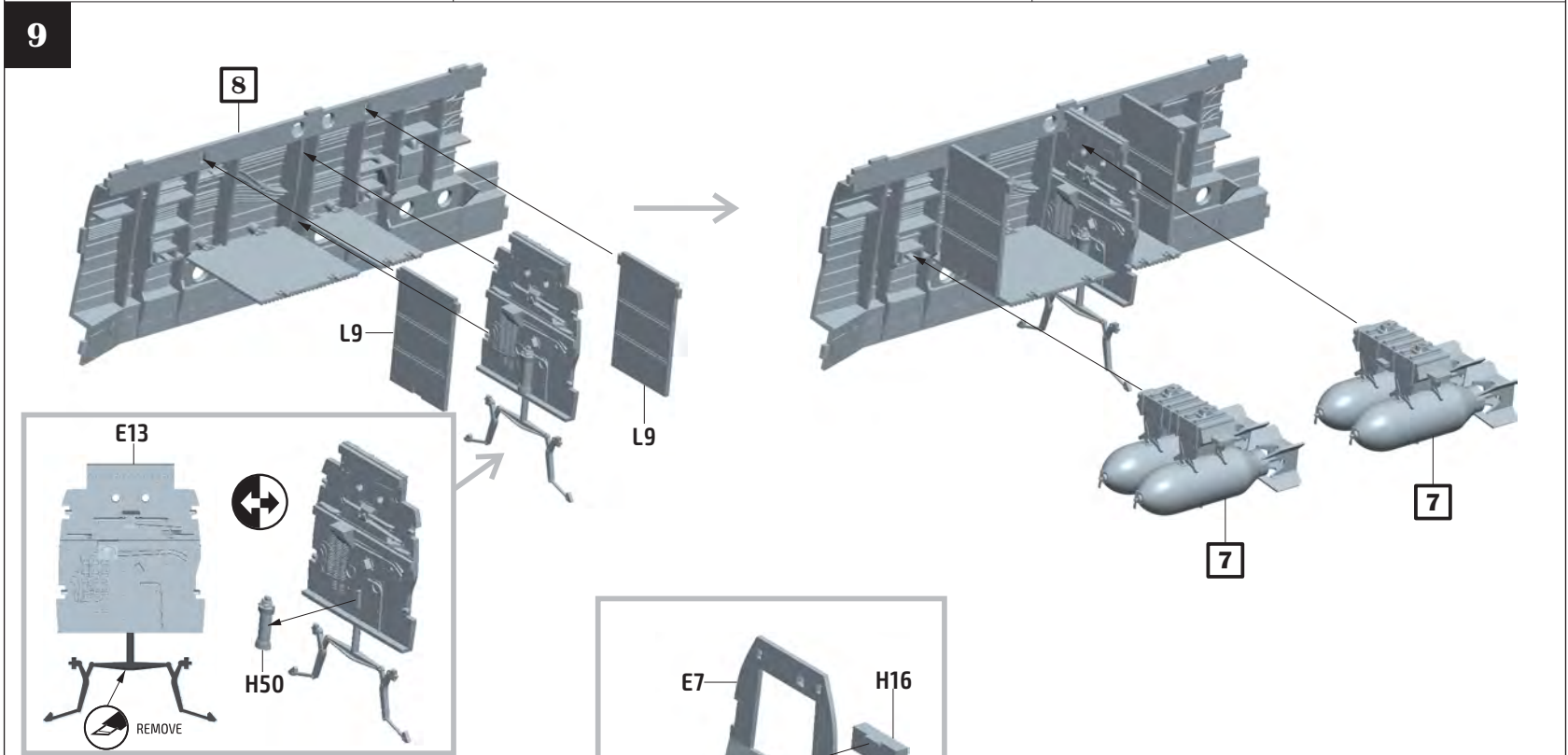
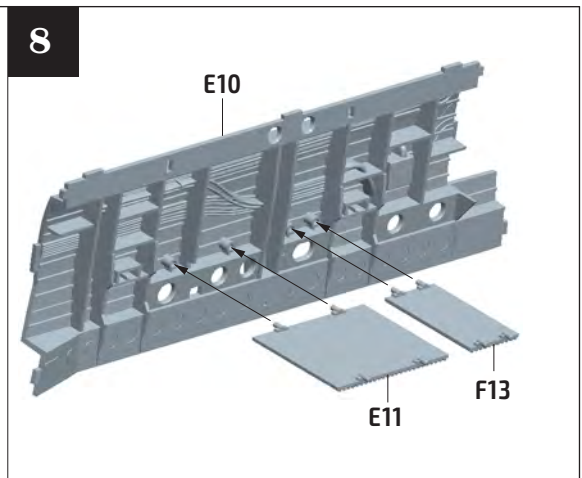
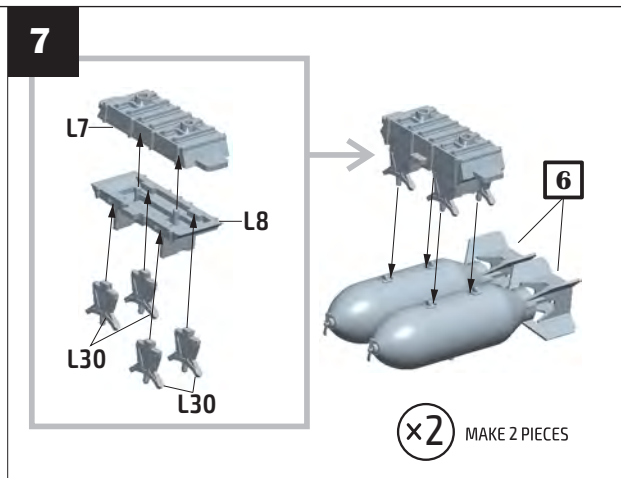
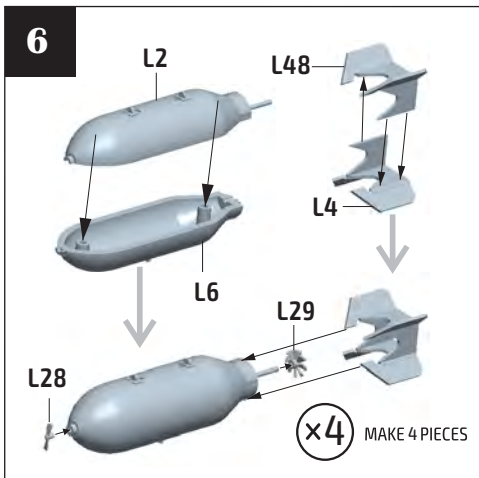


4

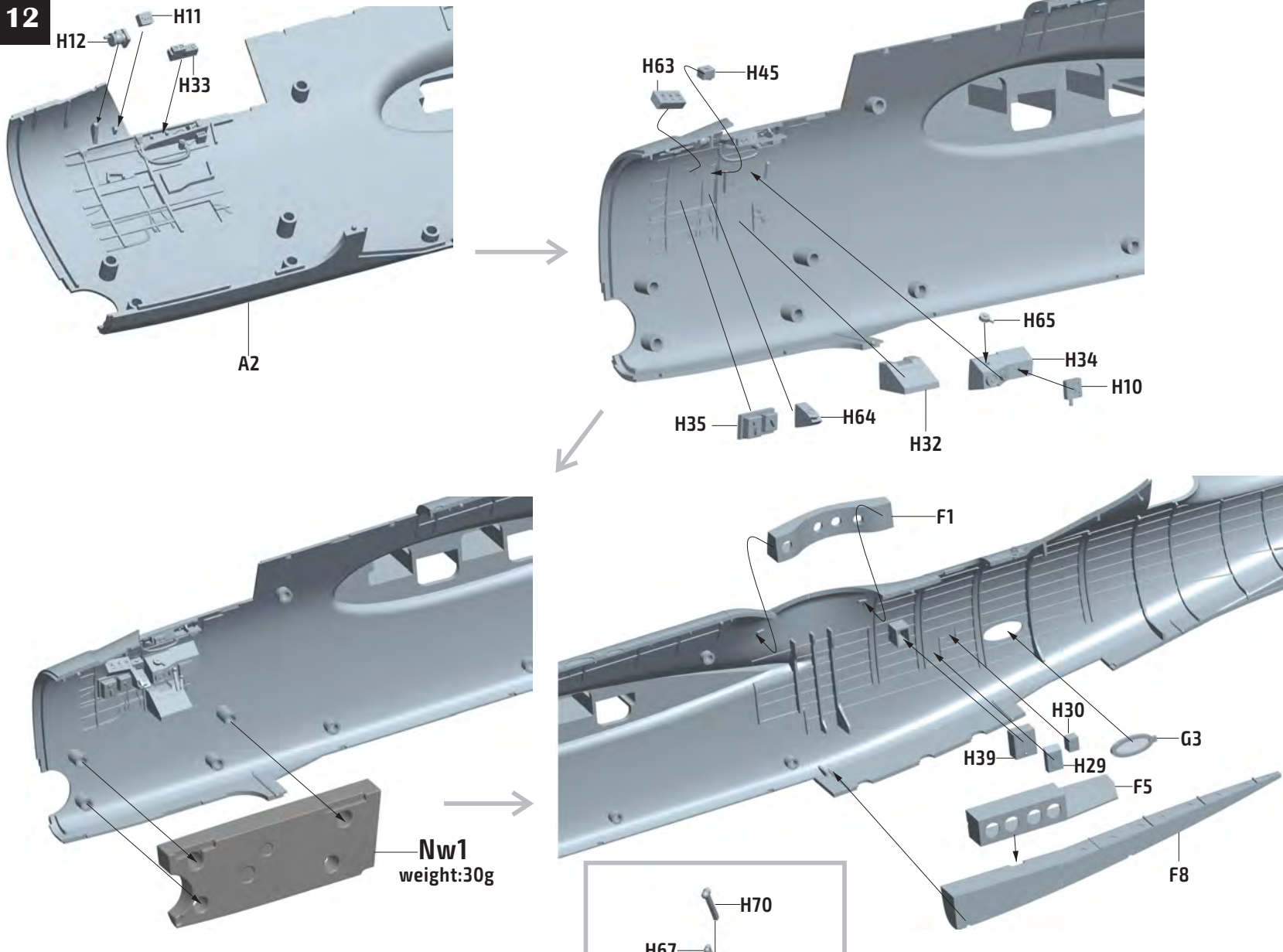


5

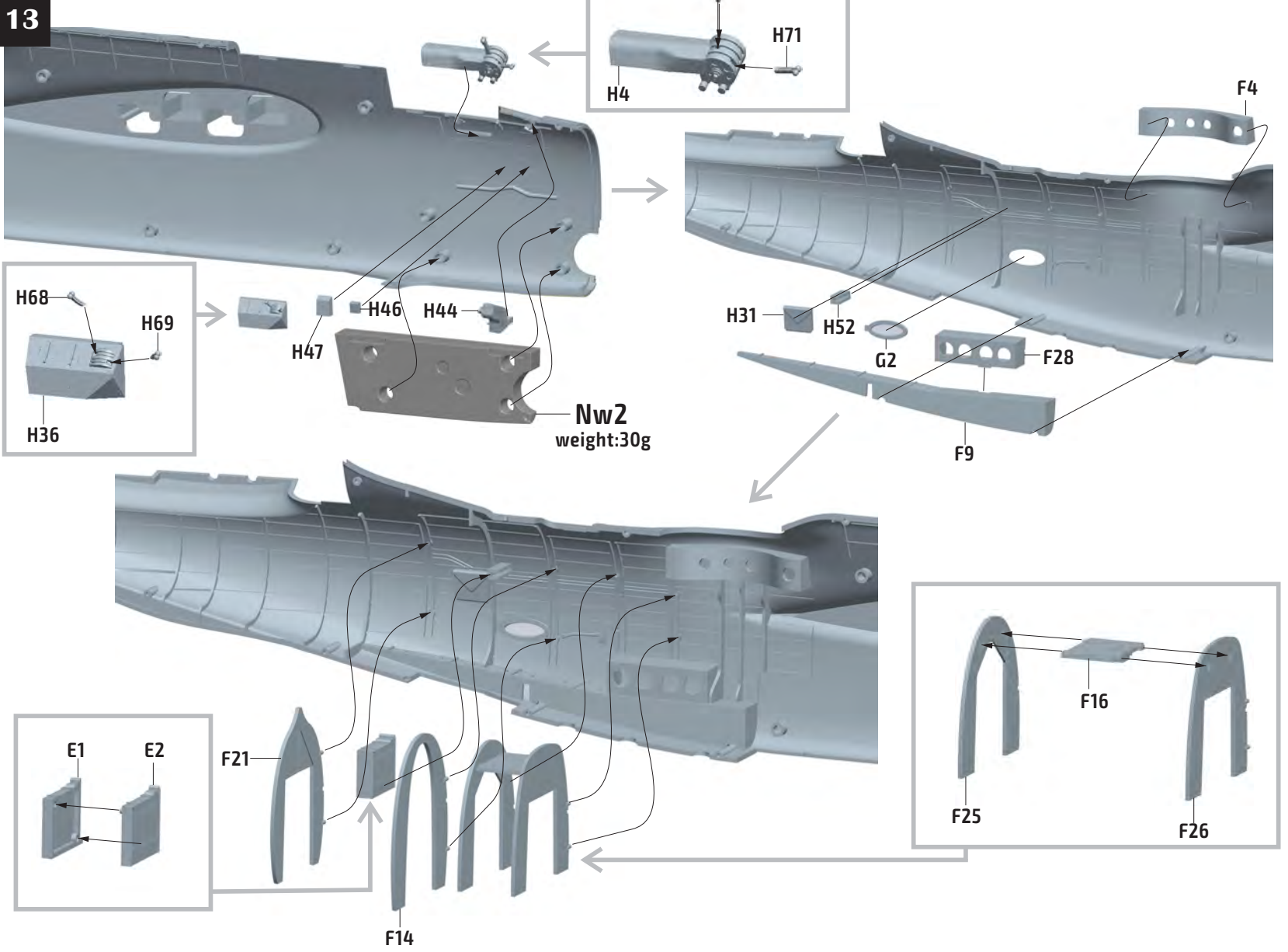




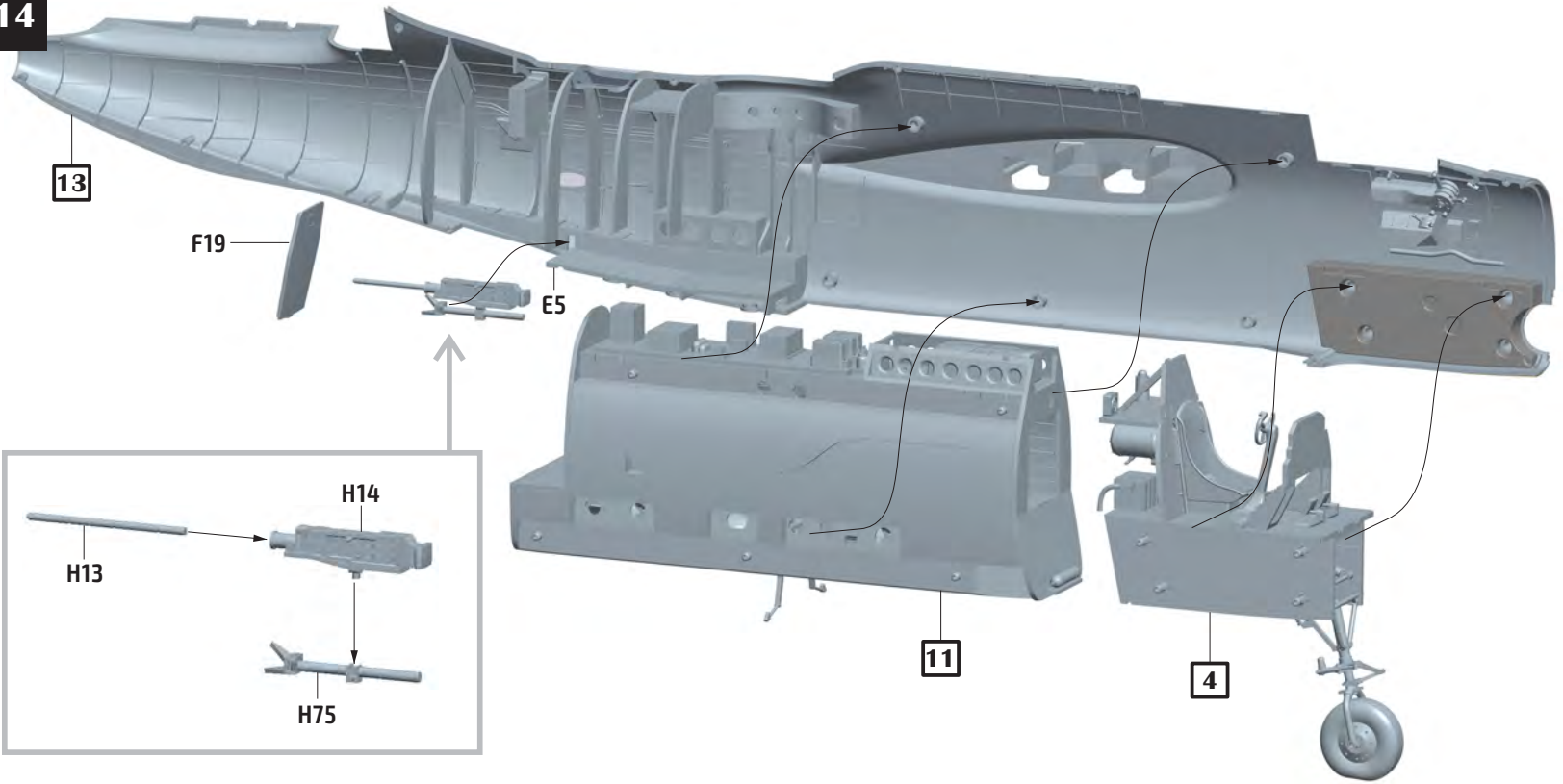
12



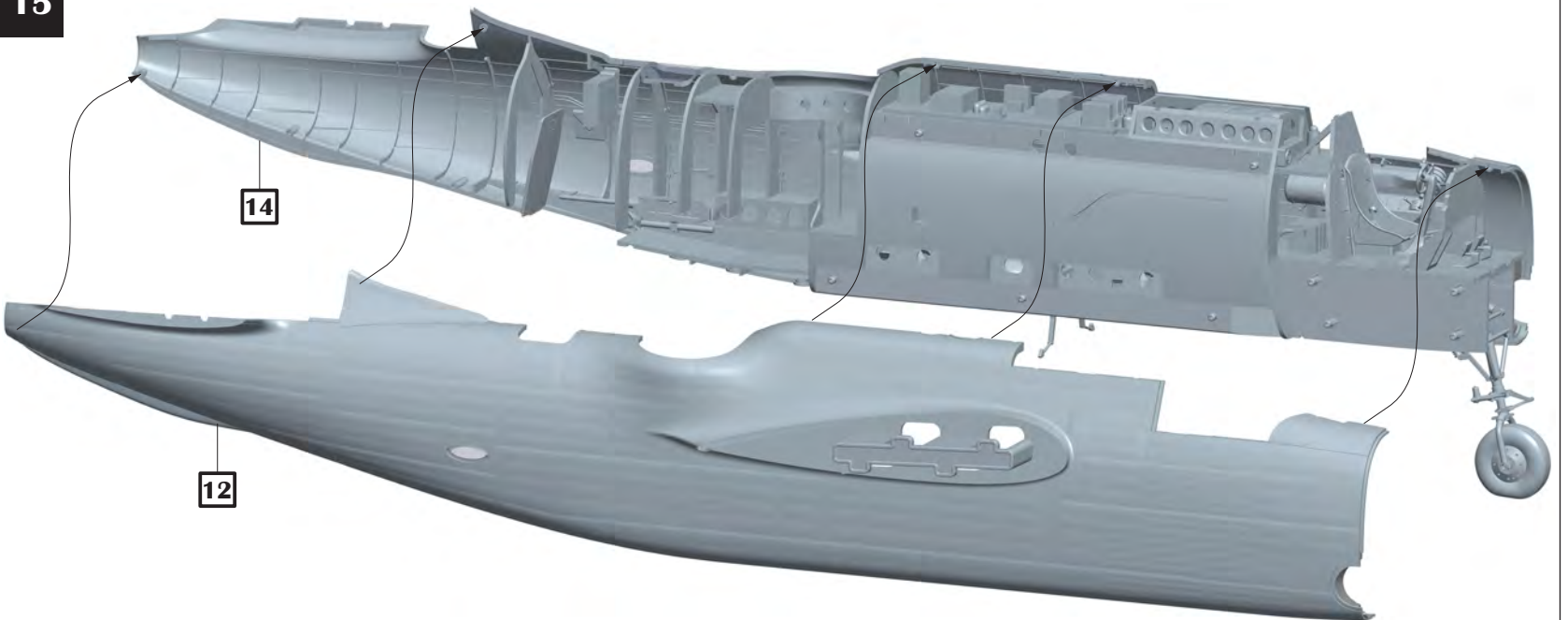
13



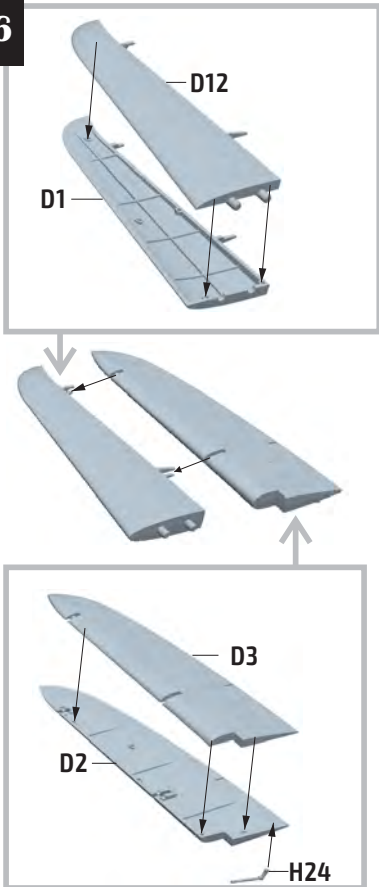
14



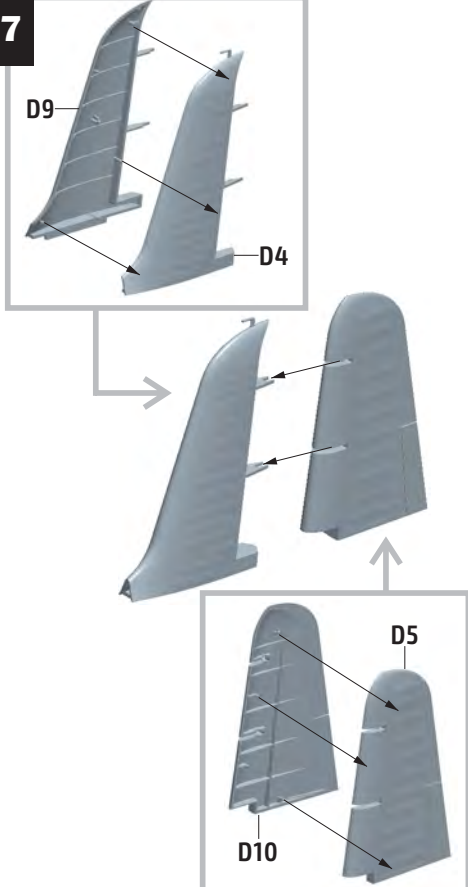
15



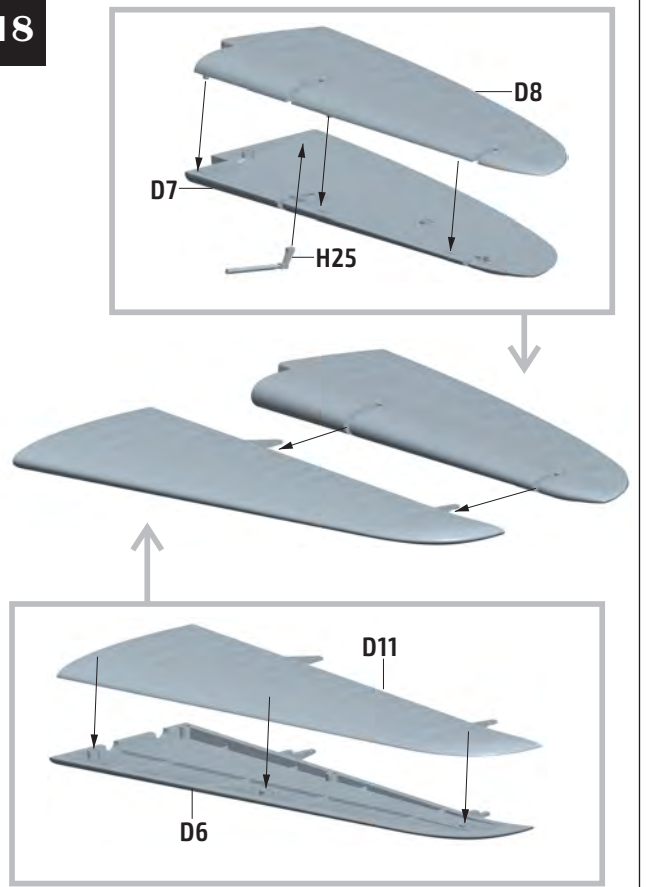
16



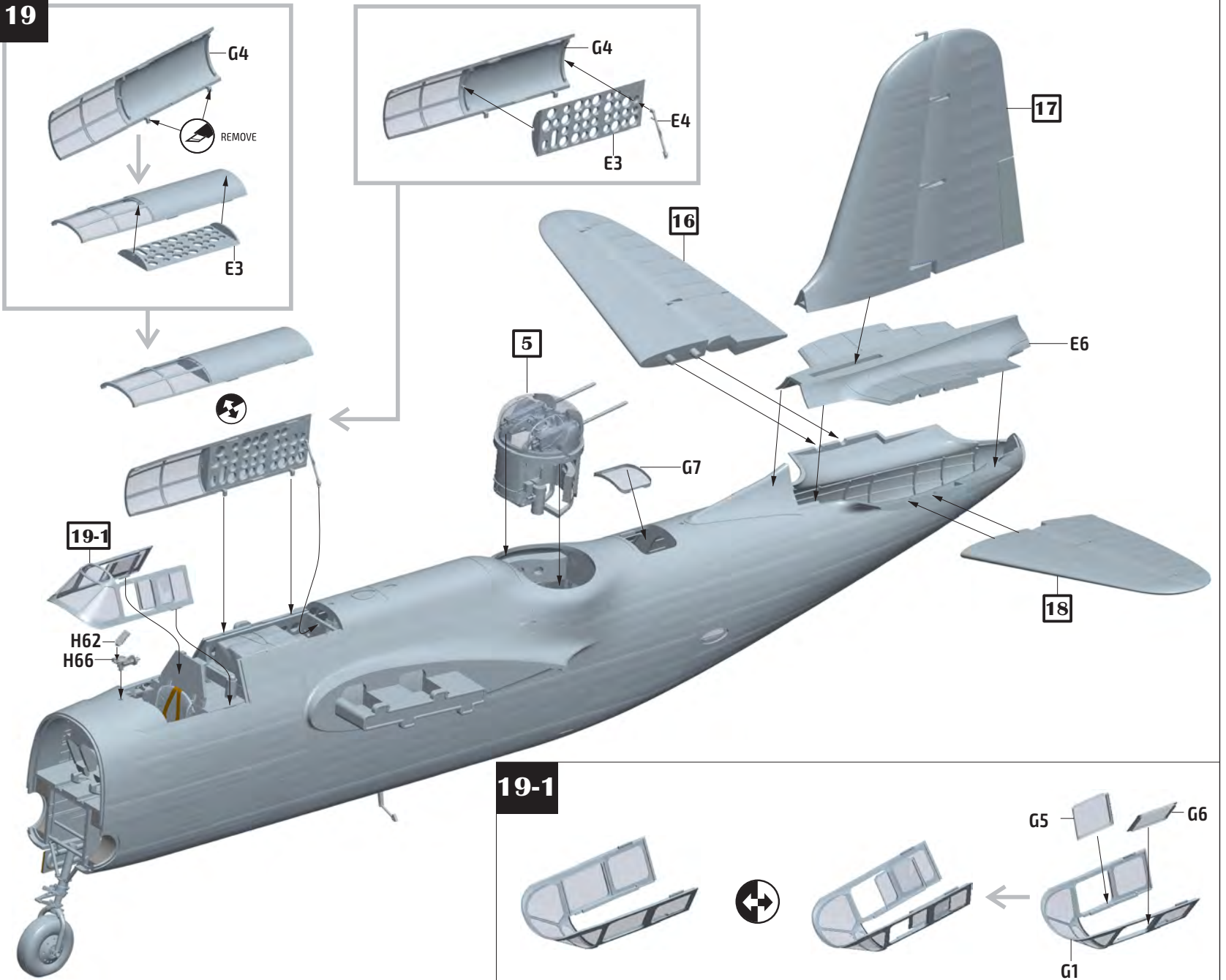
17



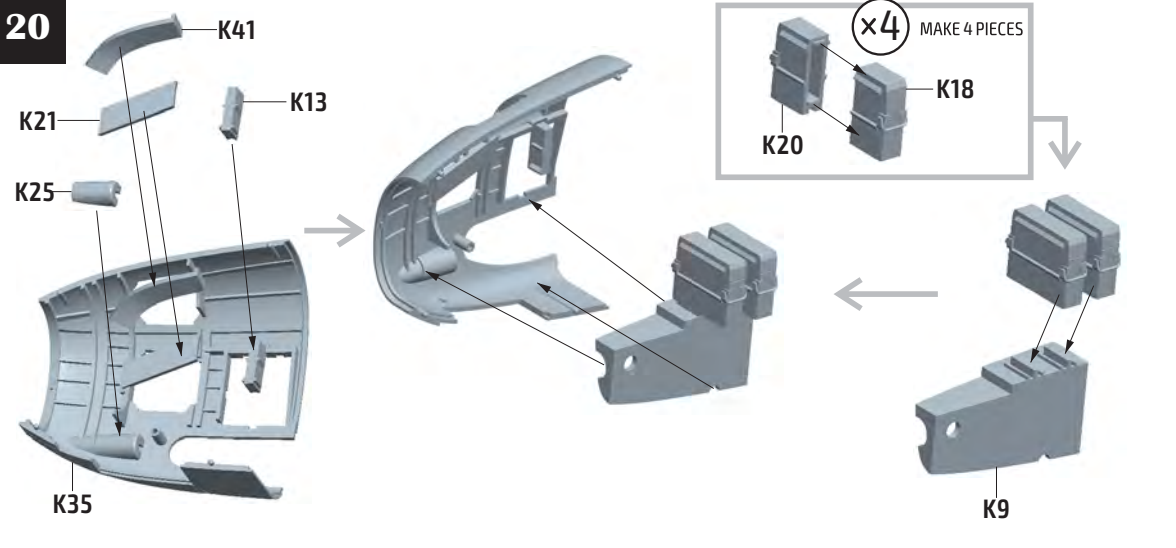
18



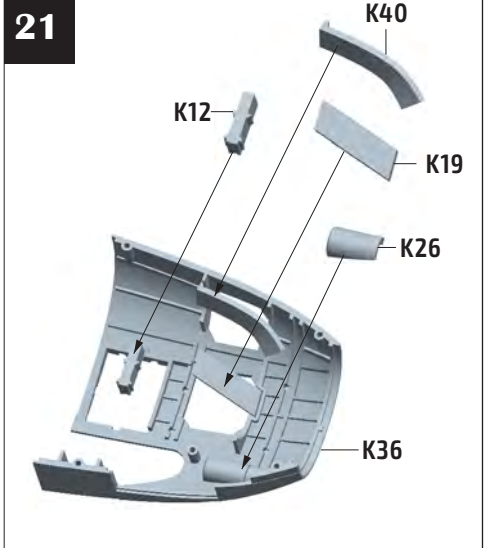
19



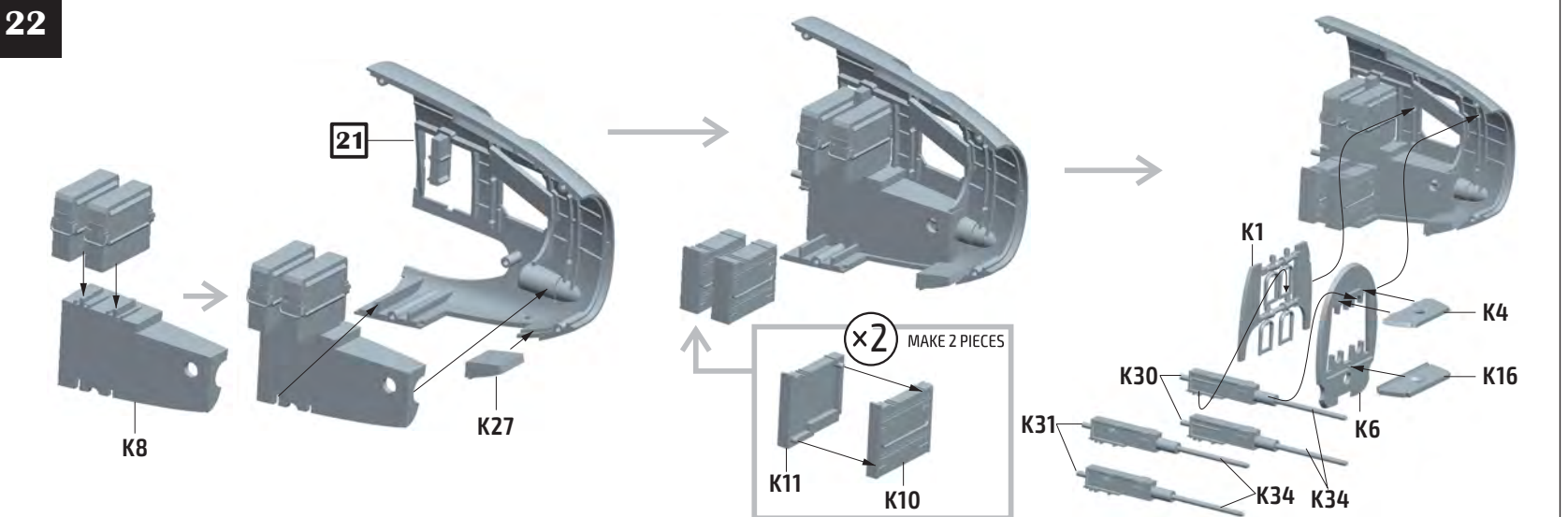
20



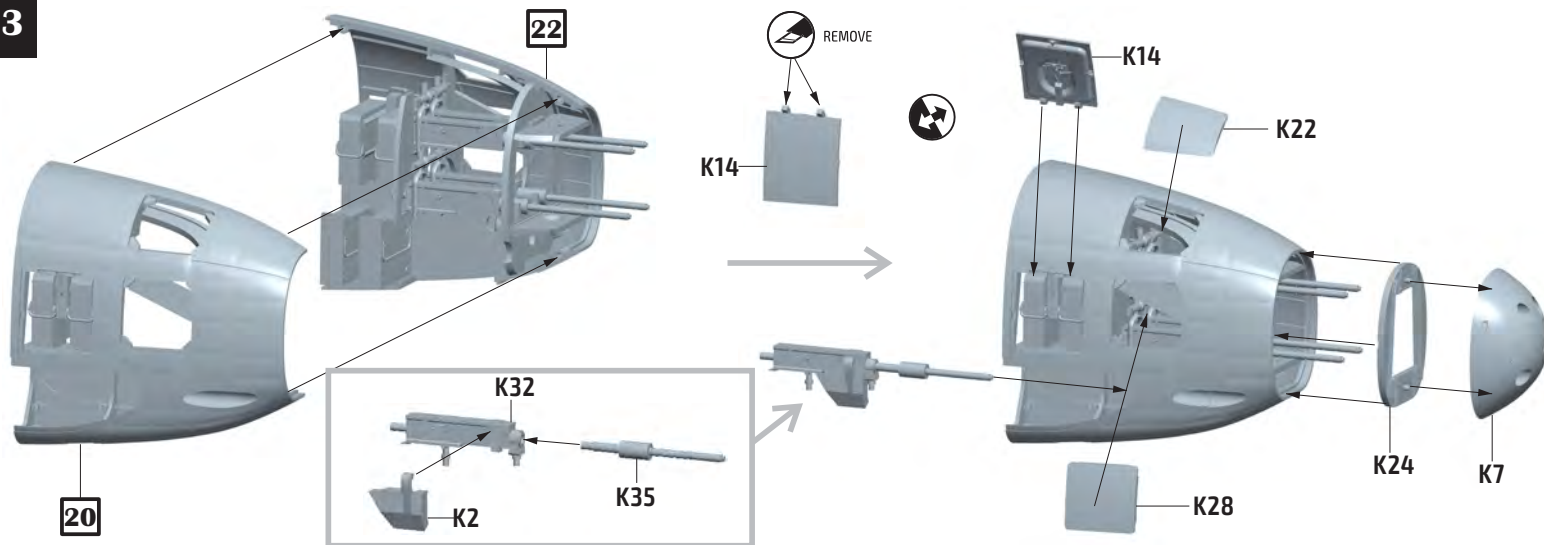
21



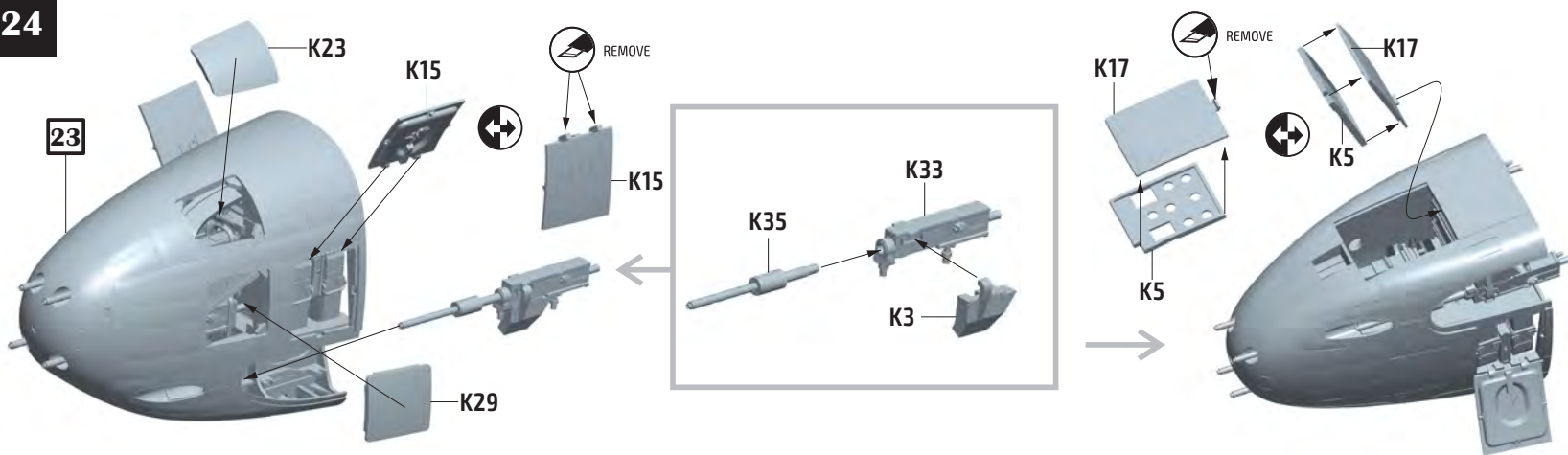
22



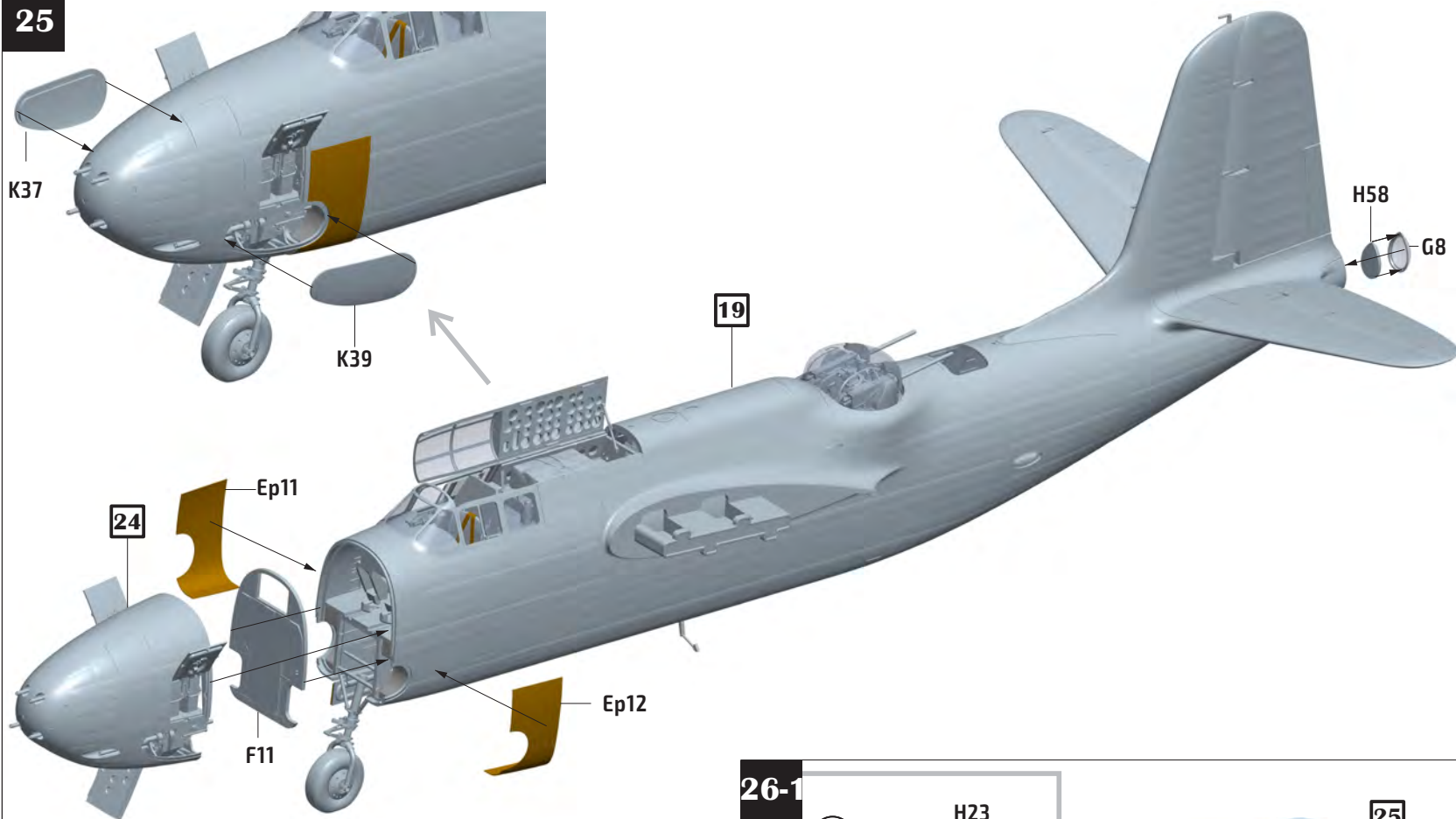
23



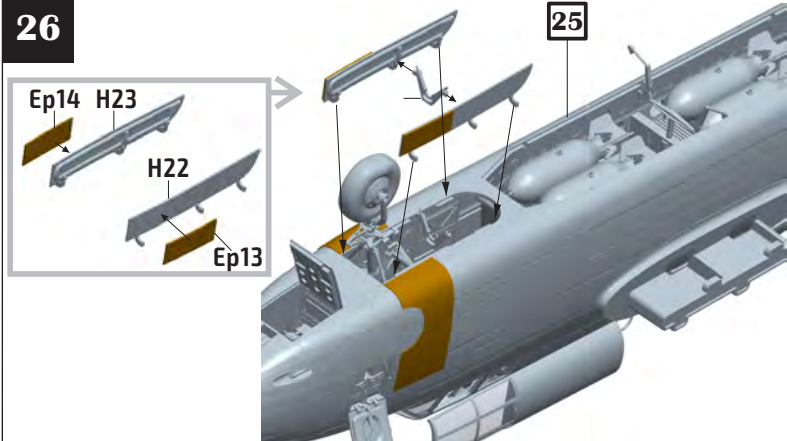
24



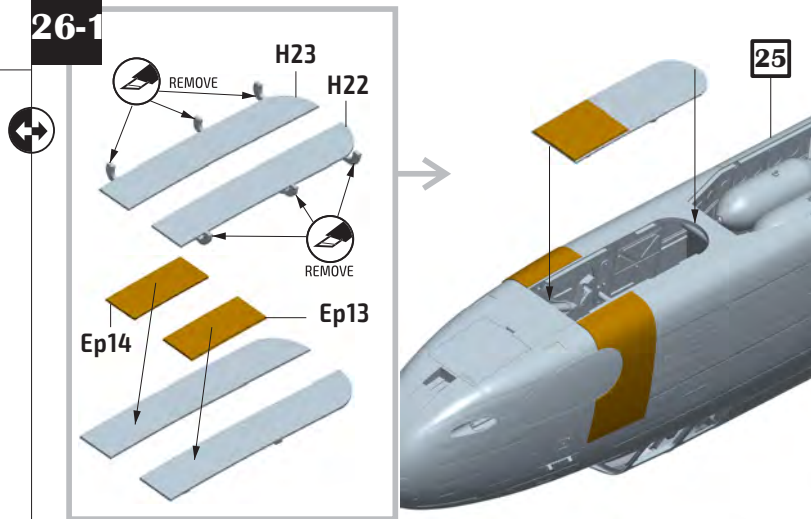
25



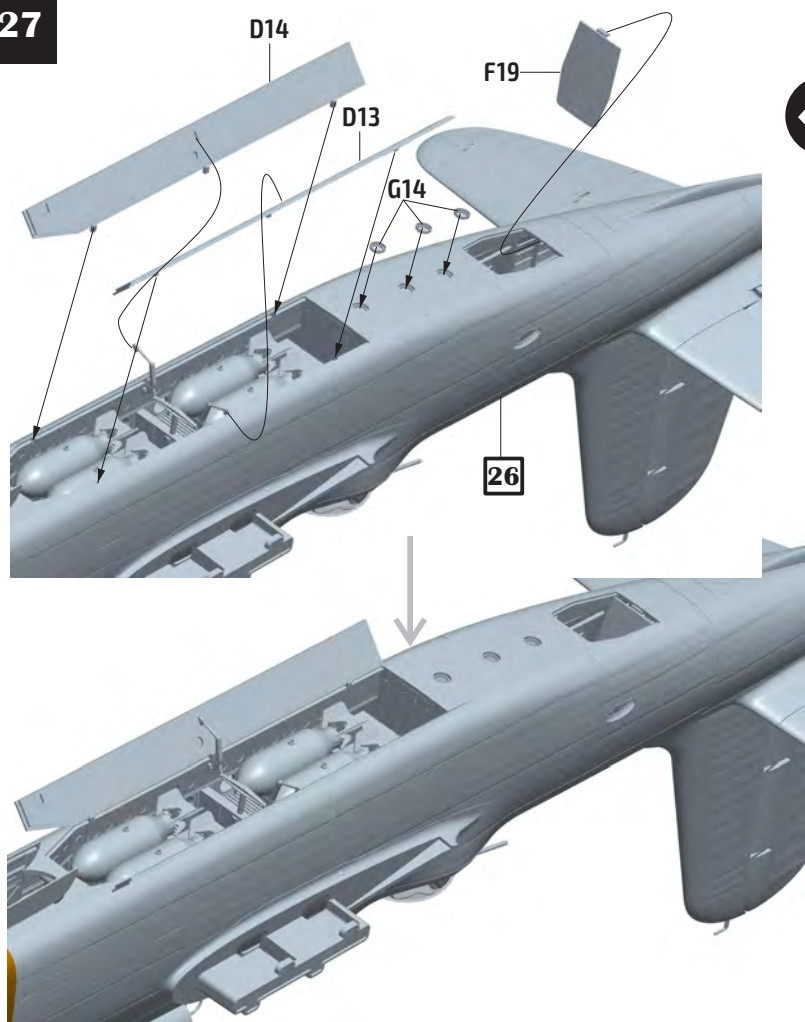
26



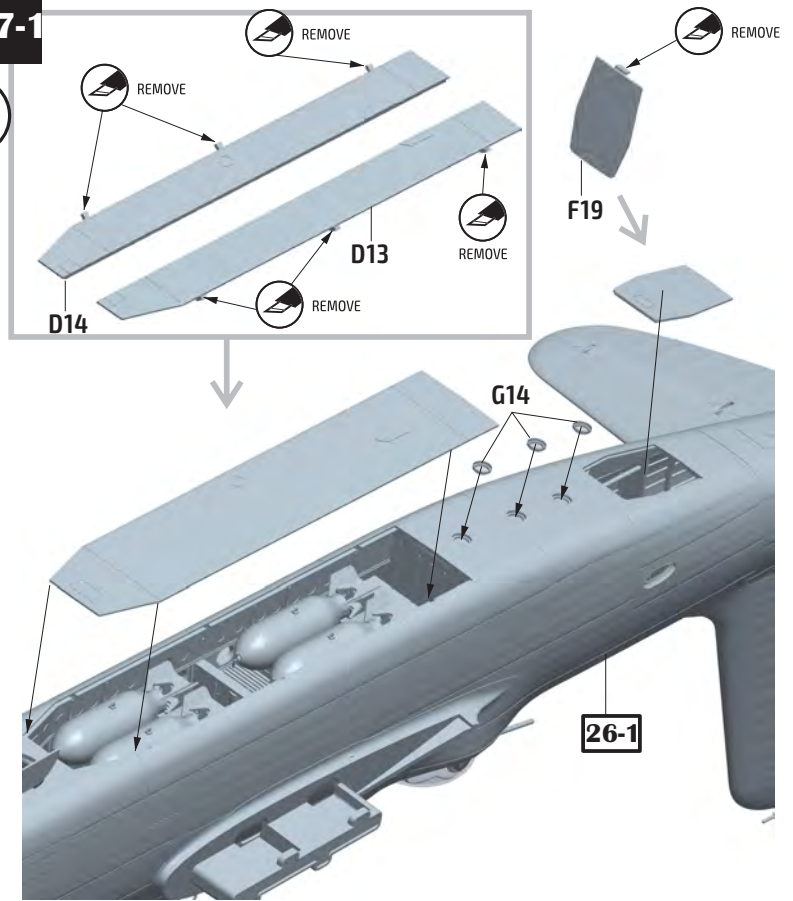
26-1



27

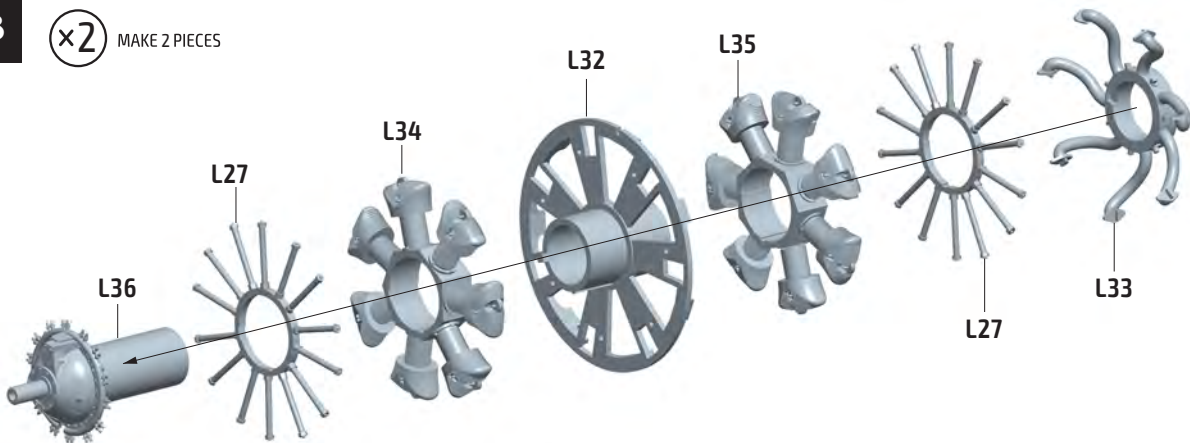


27-1



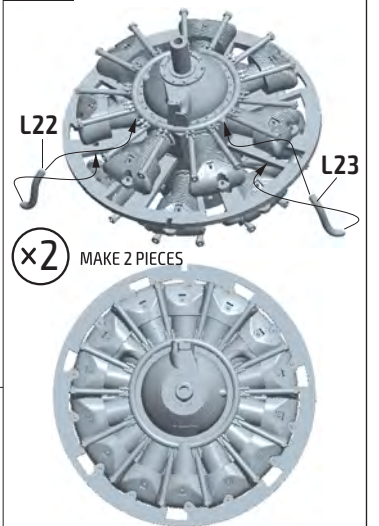
28

x2 MAKE 2 PIECES



29

Please note the positions of part



x2 MAKE 2 PIECES

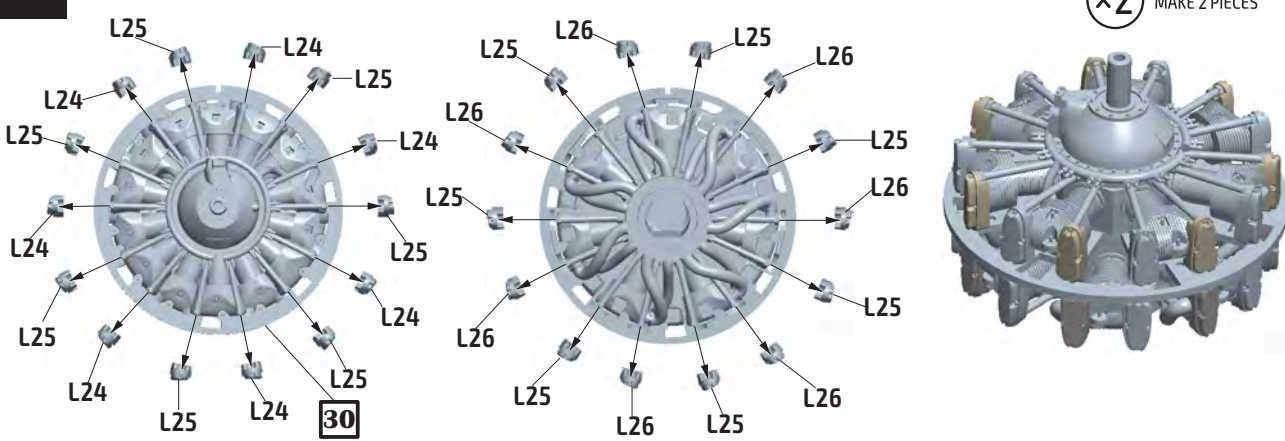
Top roll of cylinders

31

Push rod cover assembly (Front)

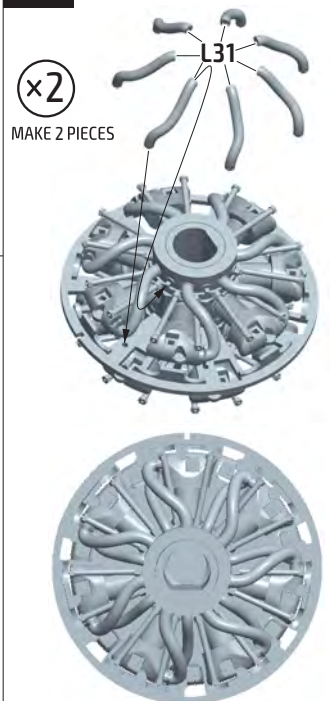
Push rod cover assembly (Back)

x2 MAKE 2 PIECES



30

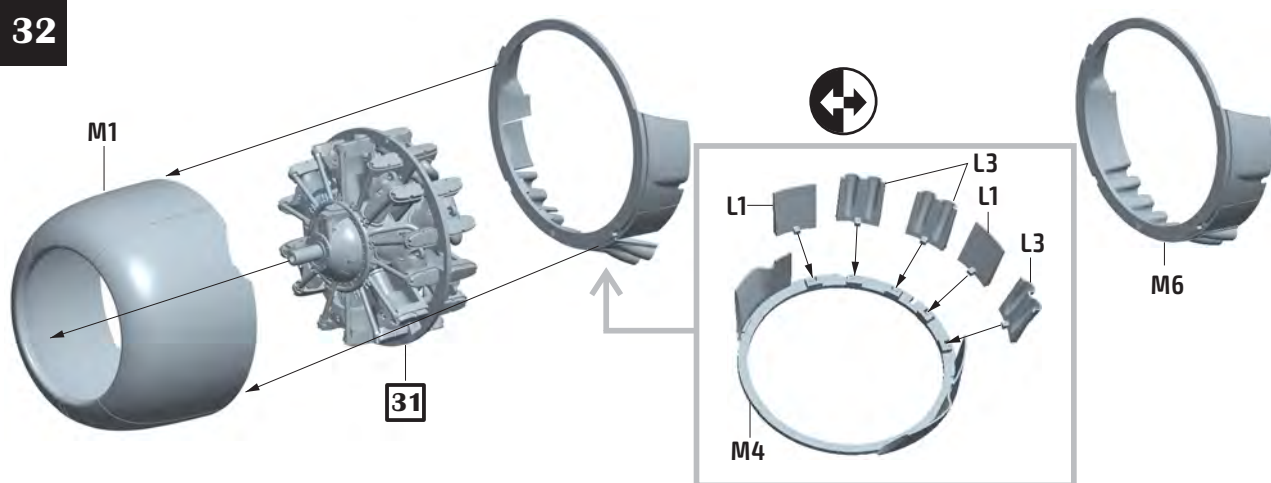
Please note the positions of part L31



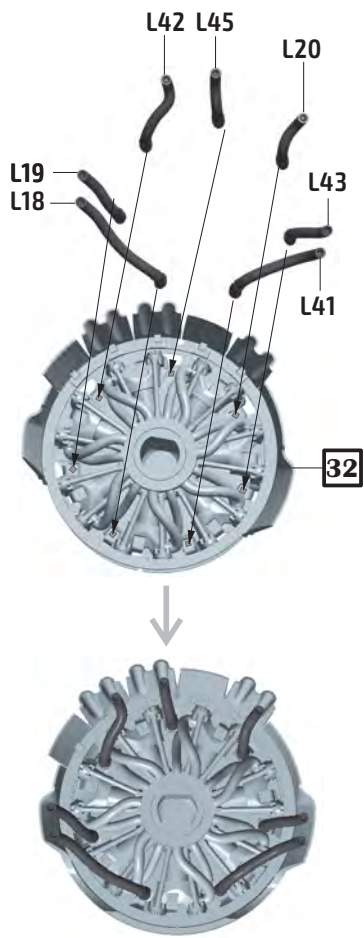
x2 MAKE 2 PIECES

Engine's back

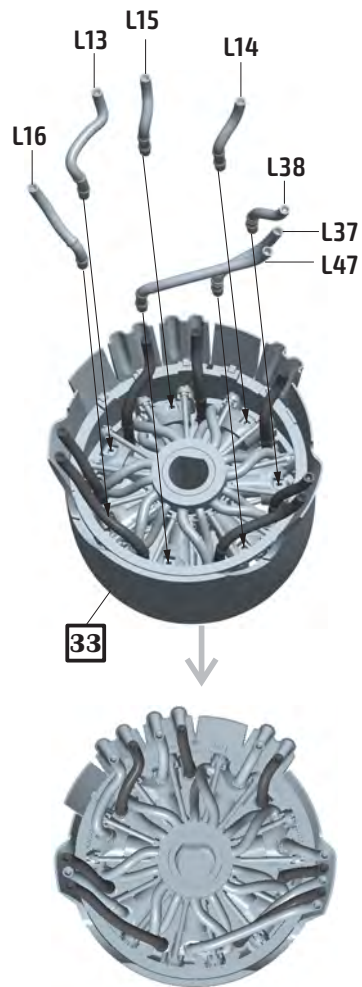
32



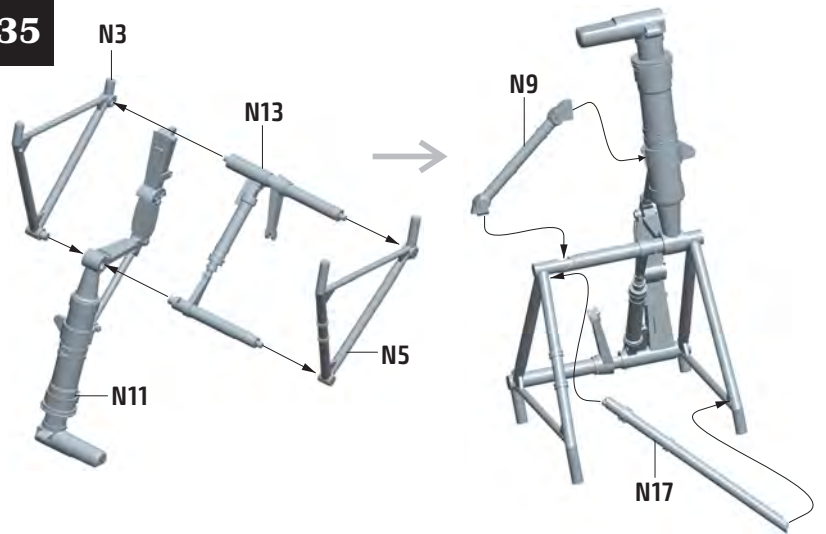
33 Exhaust stacks assembly



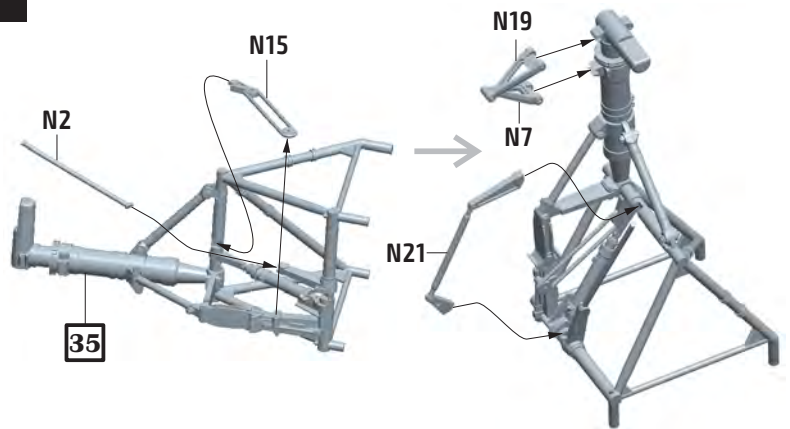
34 Exhaust stacks assembly



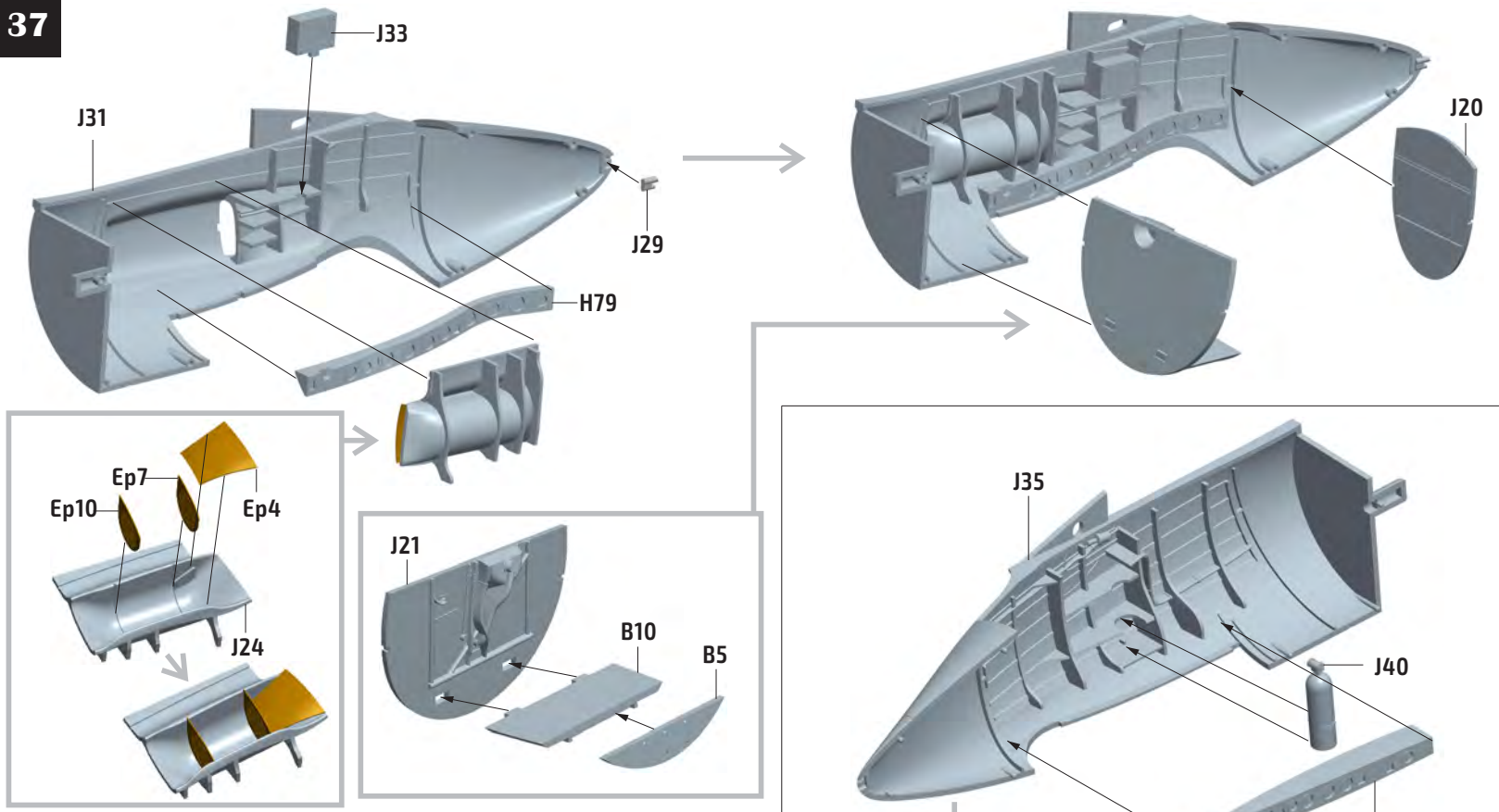
35



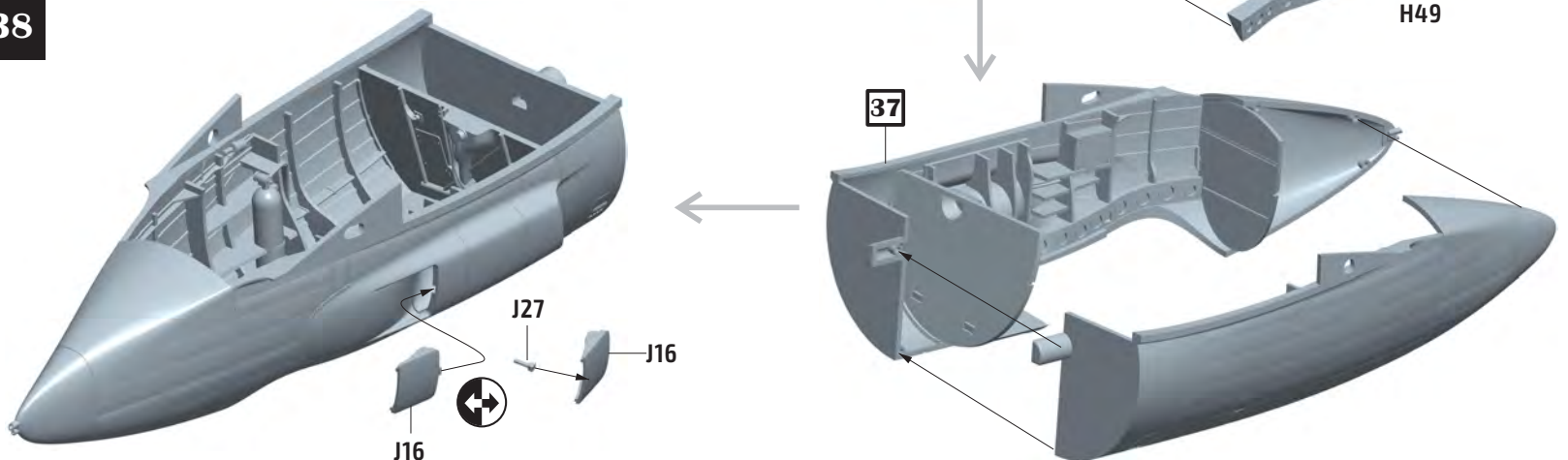
36



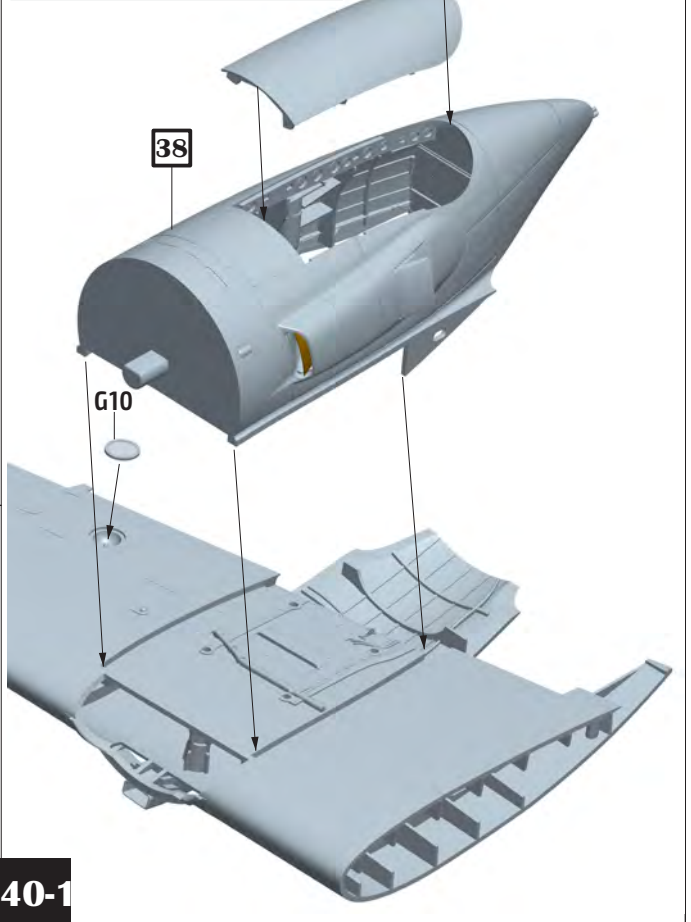
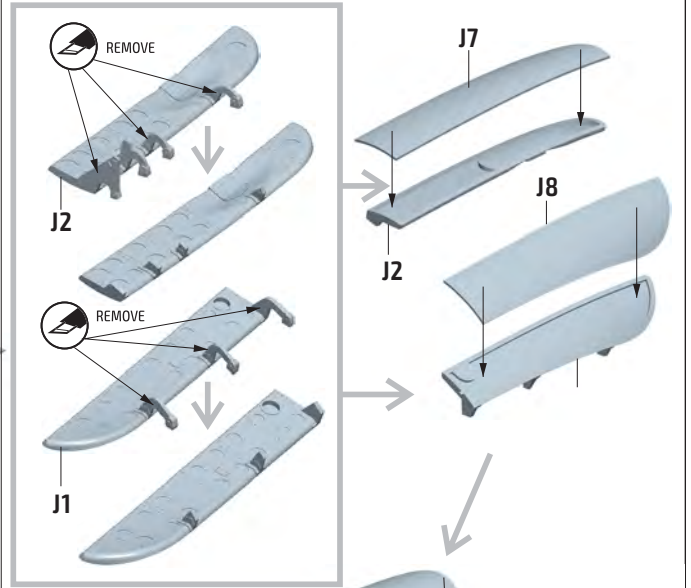
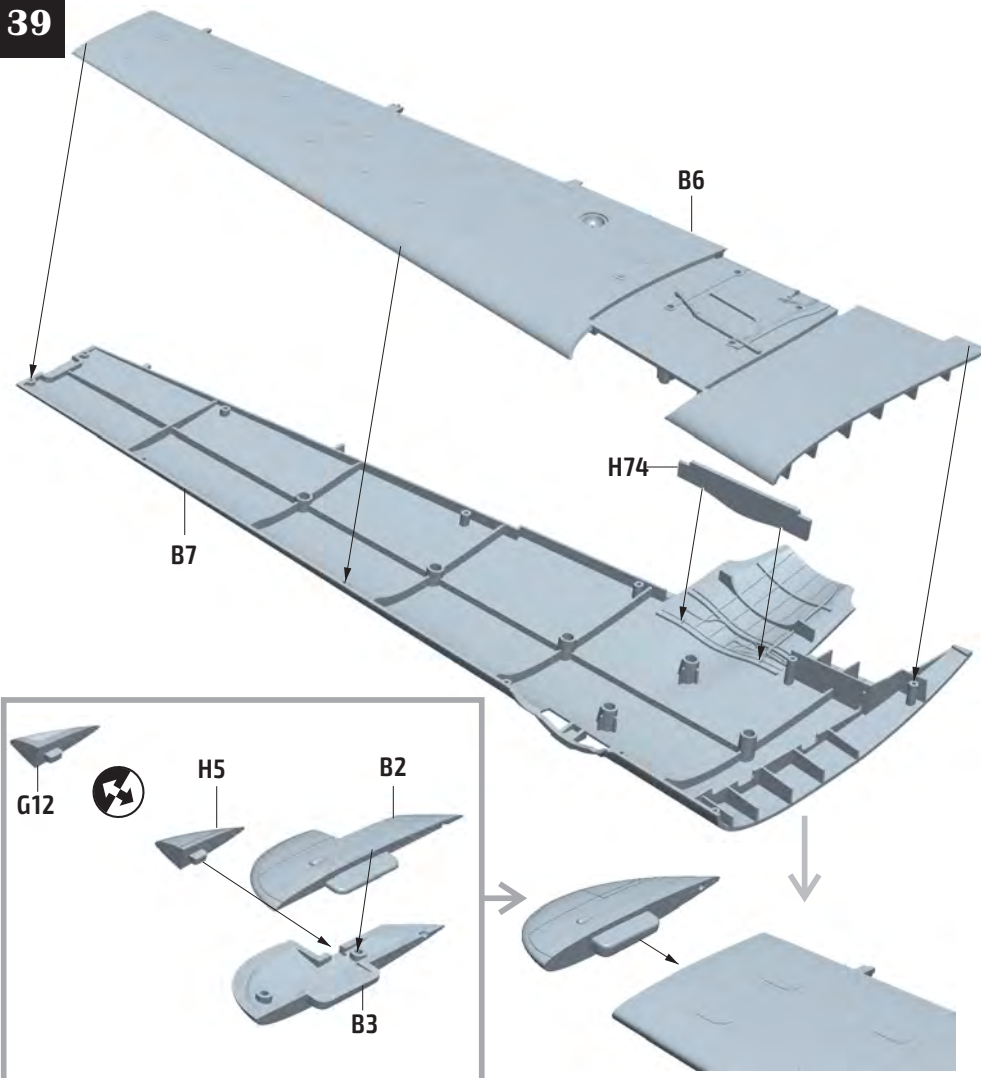
37



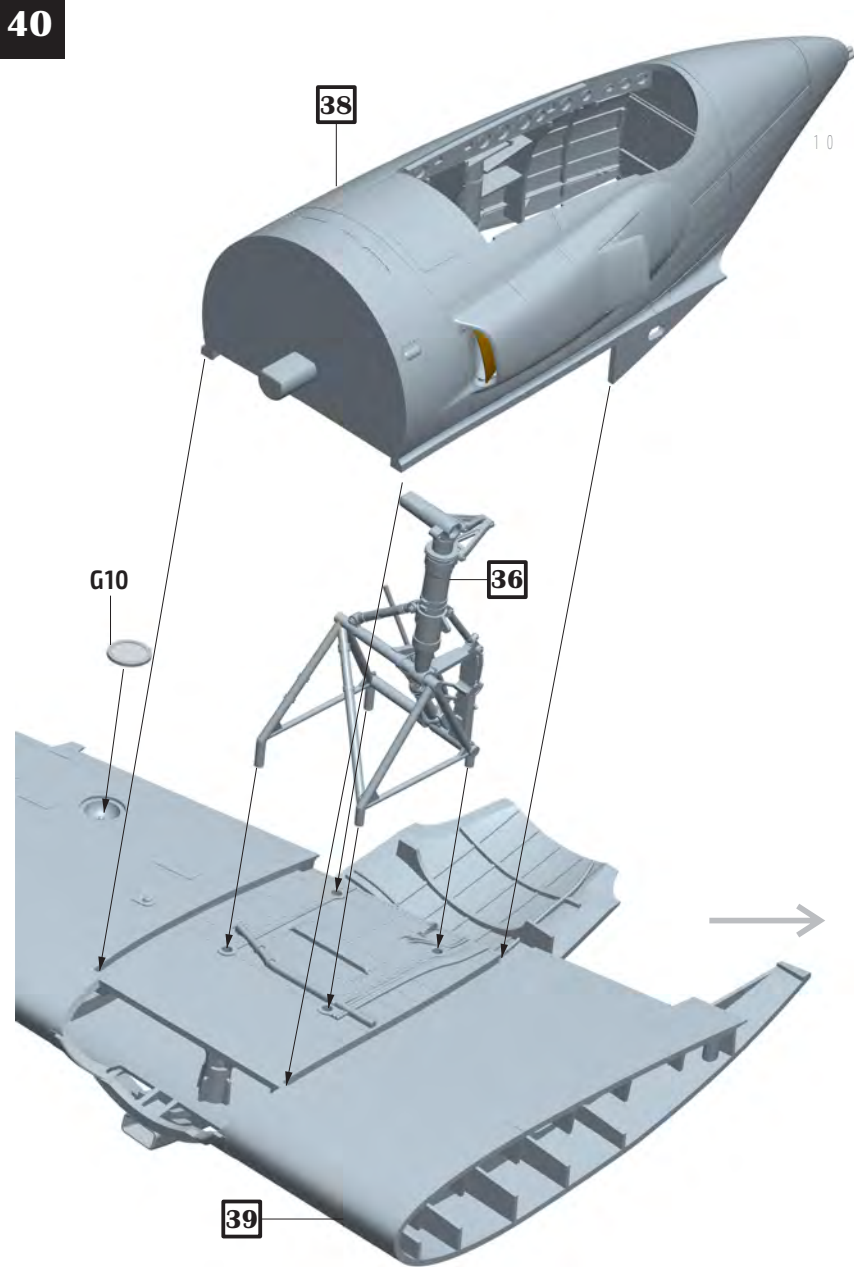
38



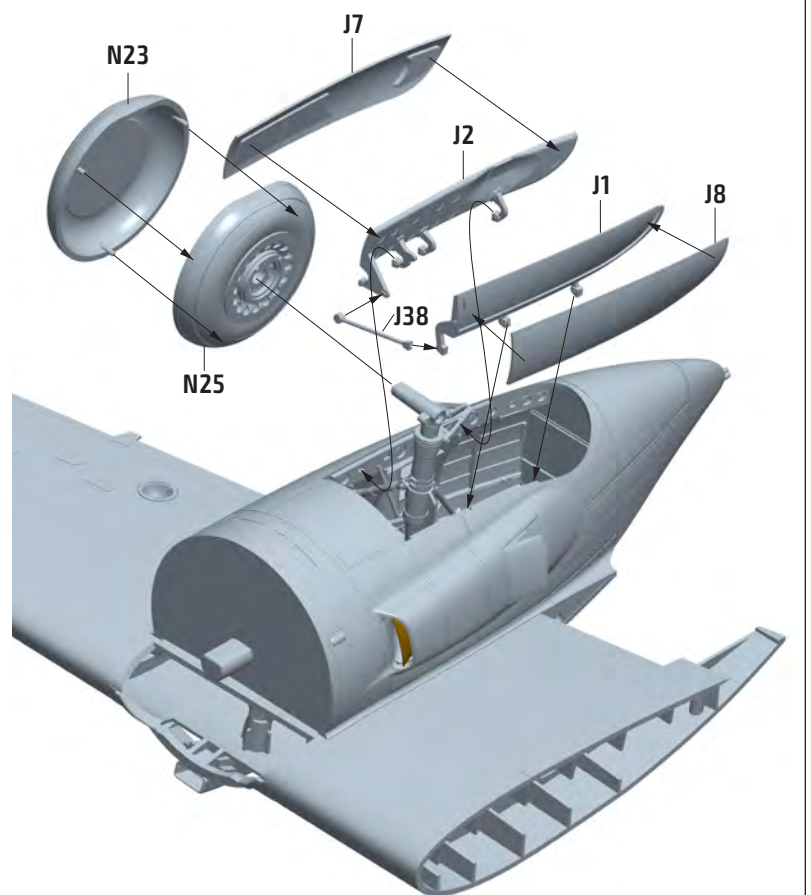
39



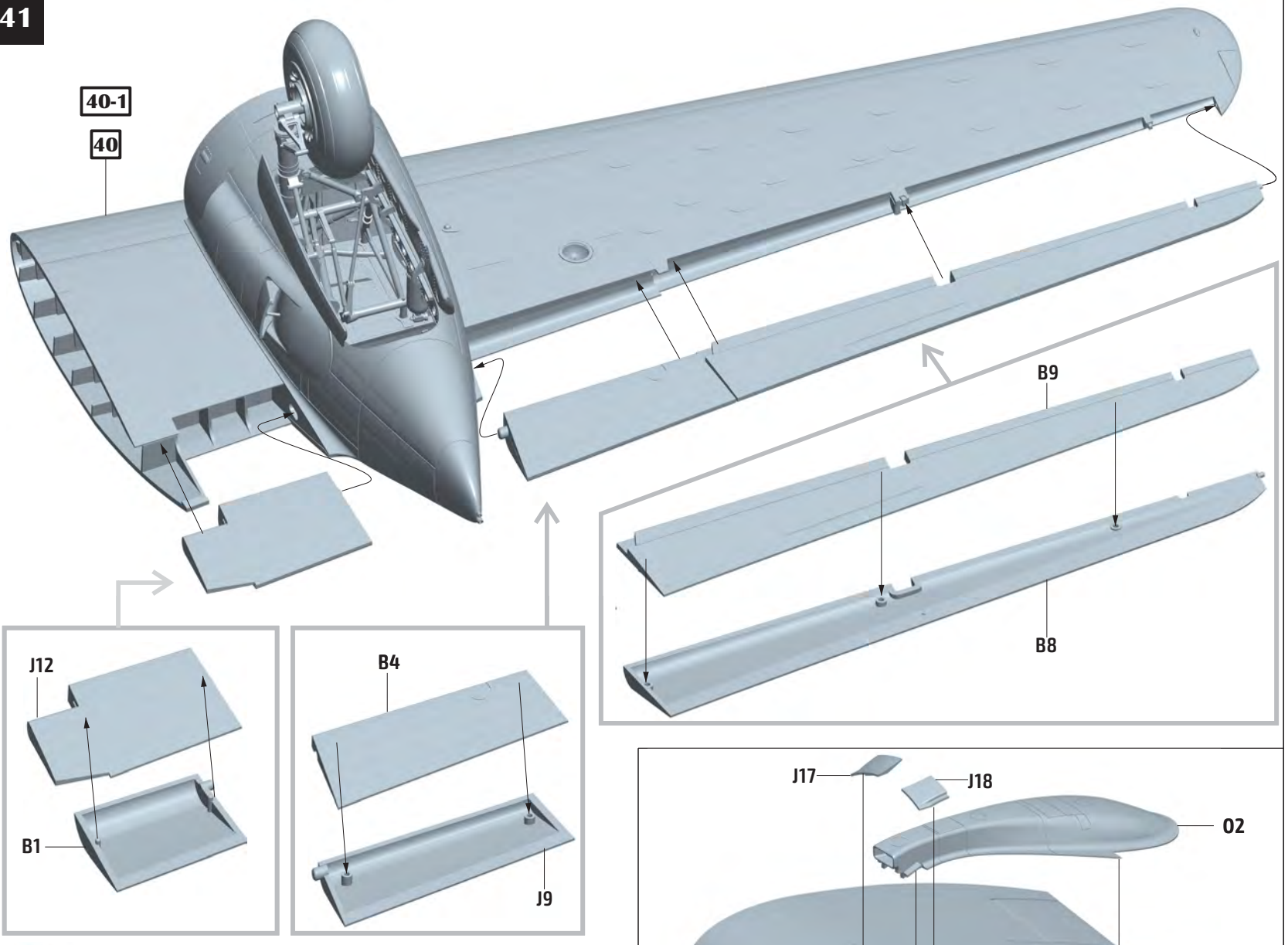
40



40-1

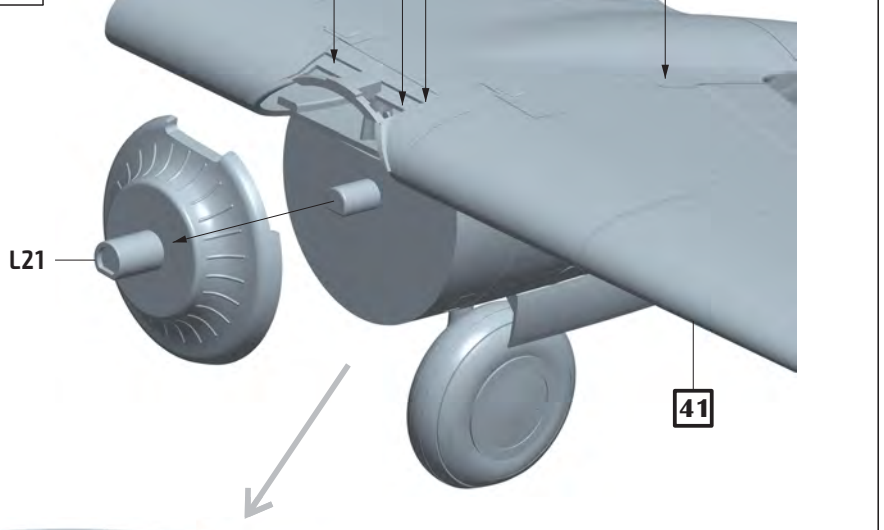
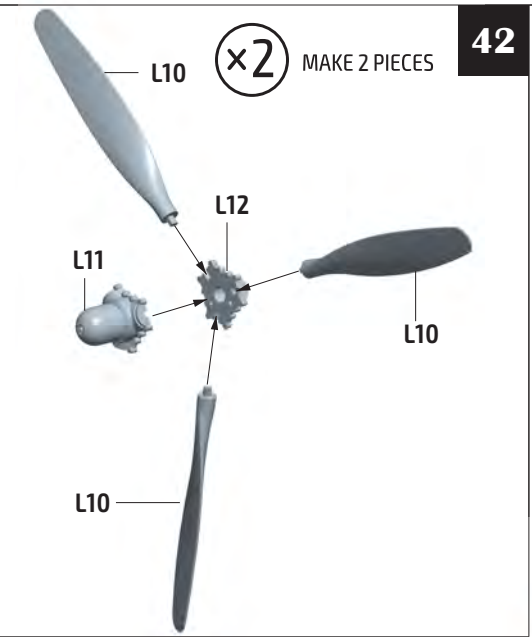


41

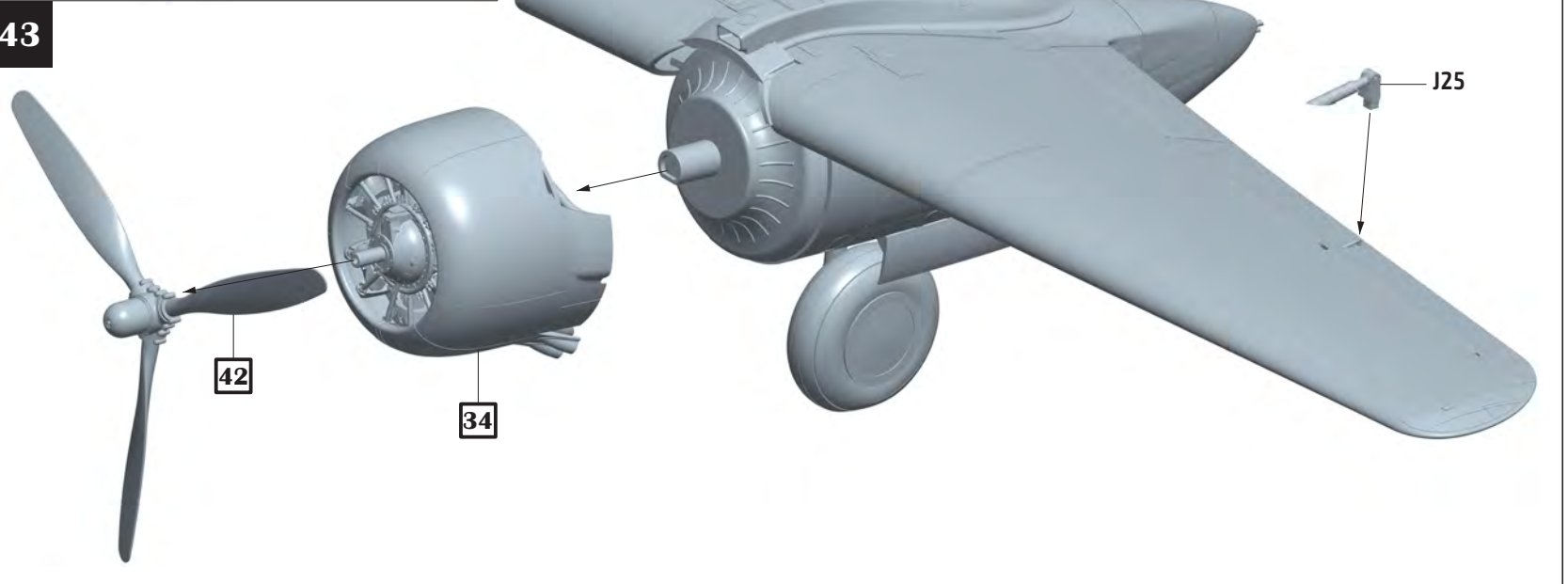


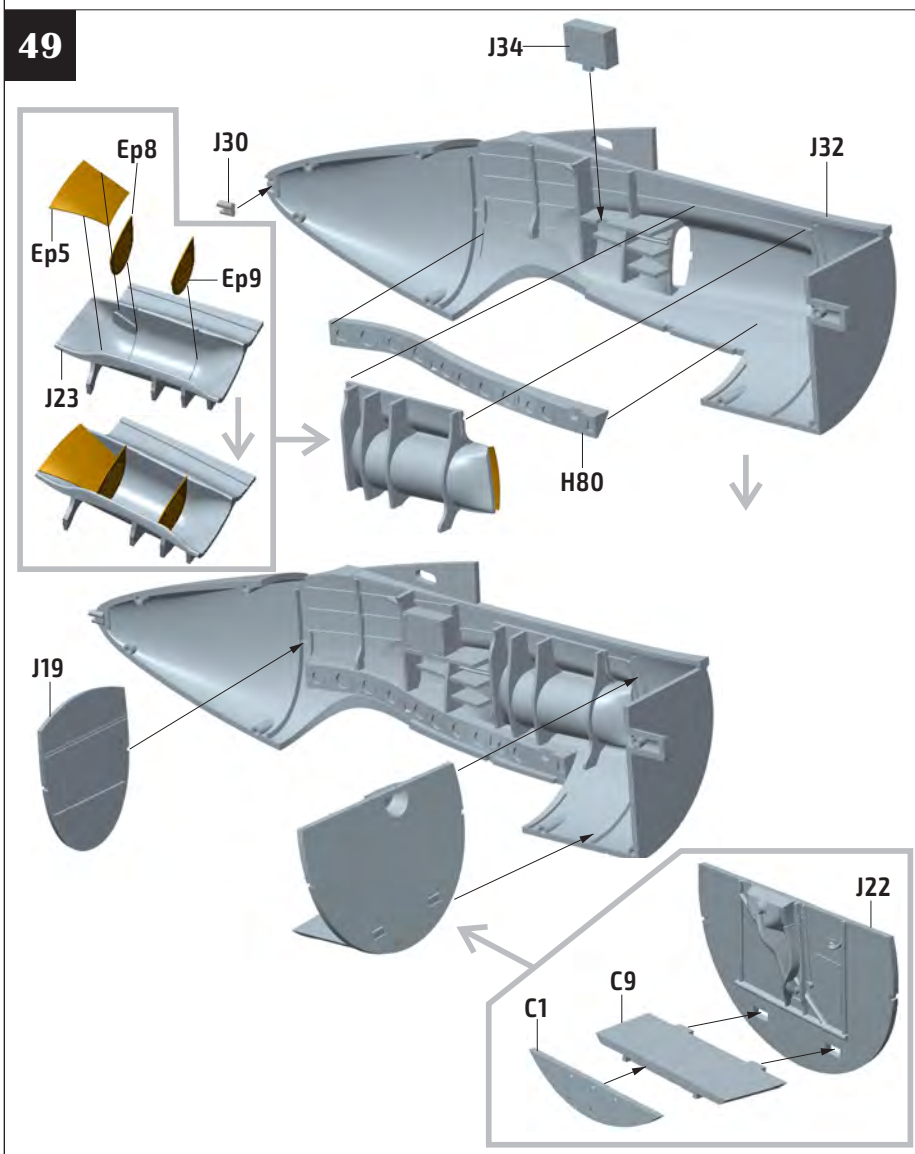
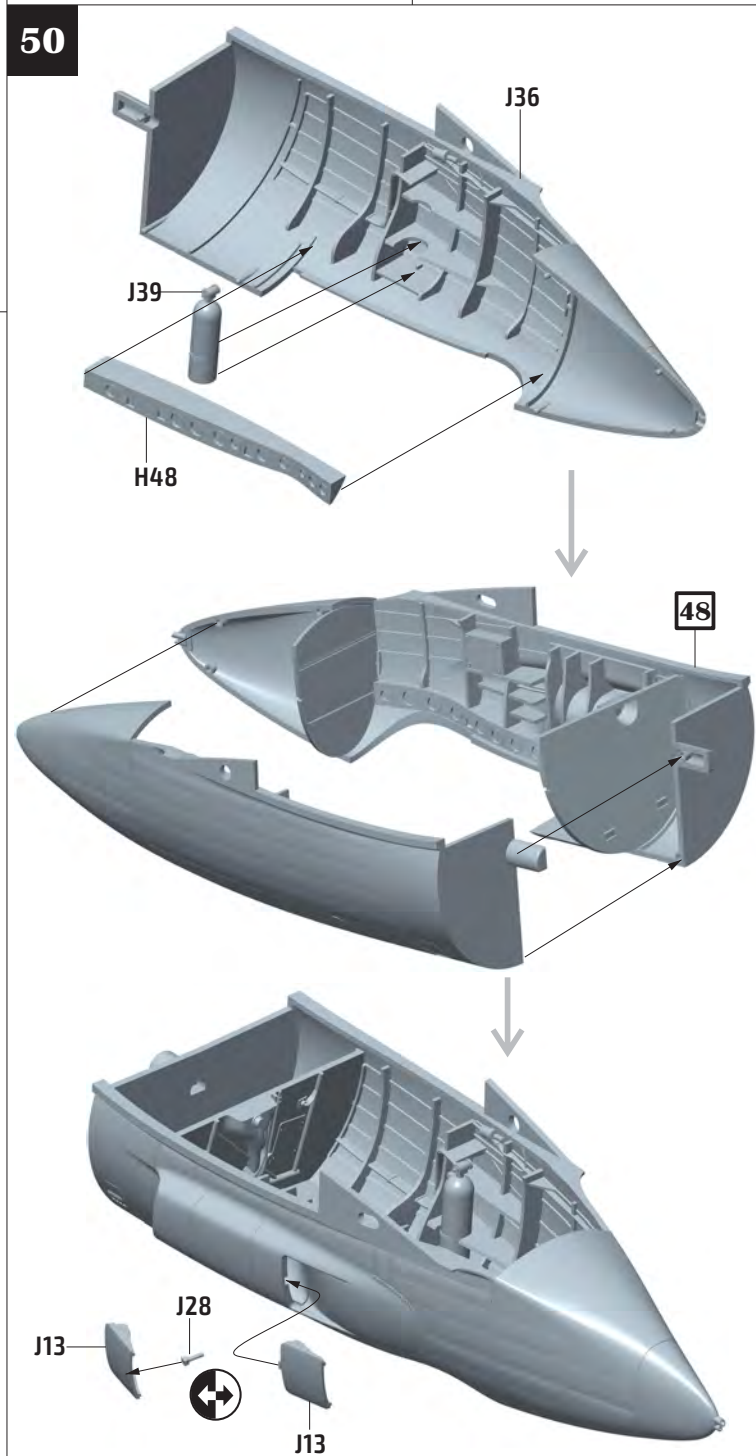
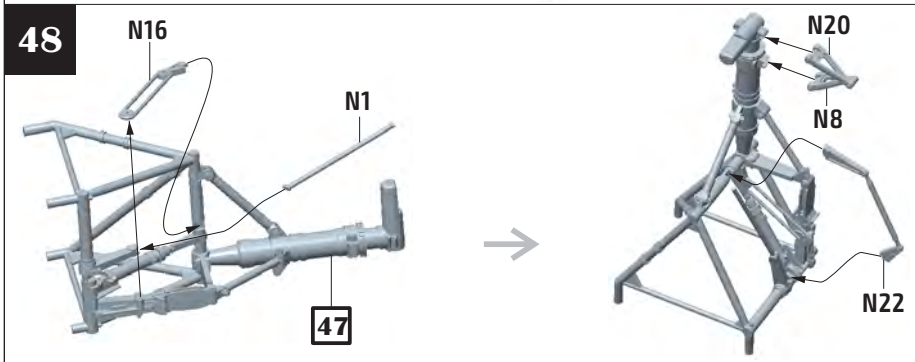
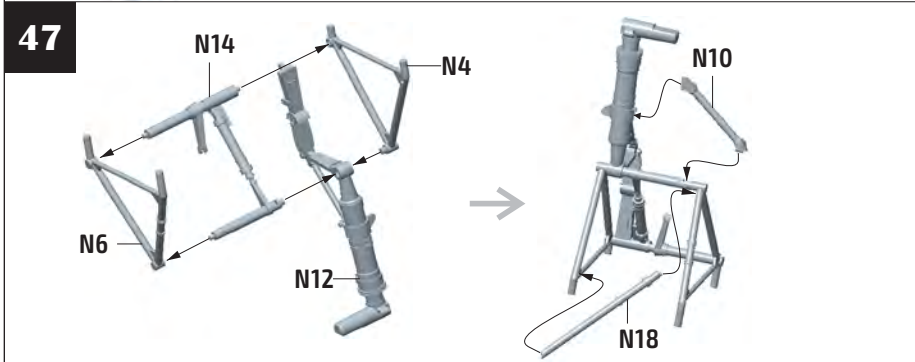
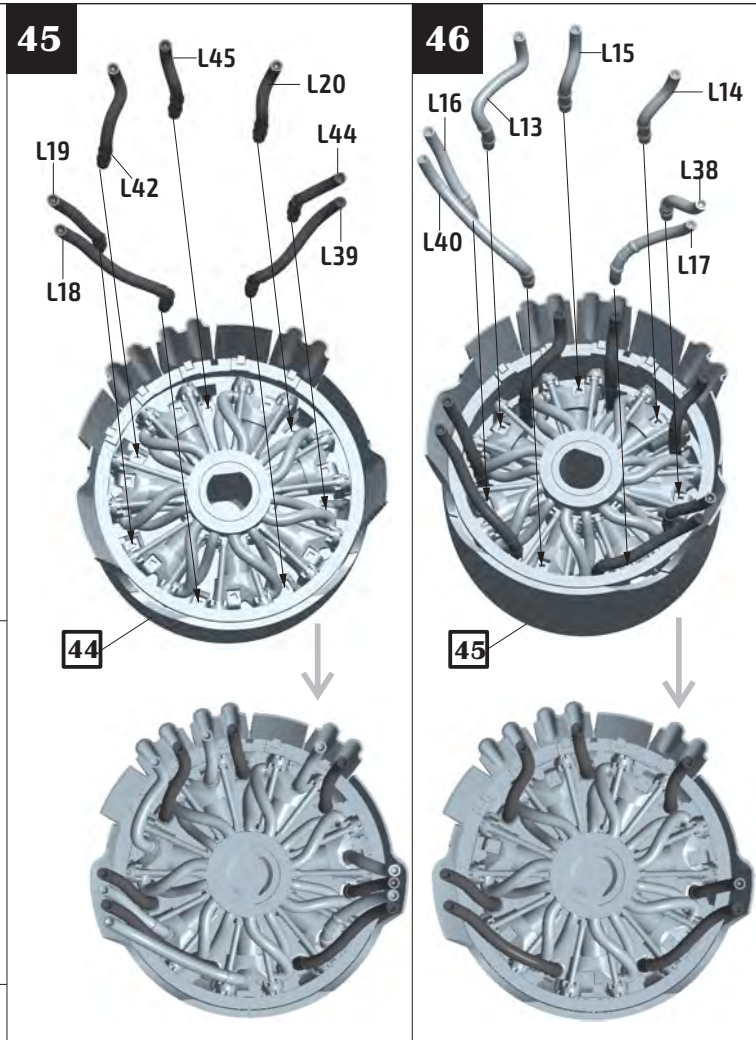
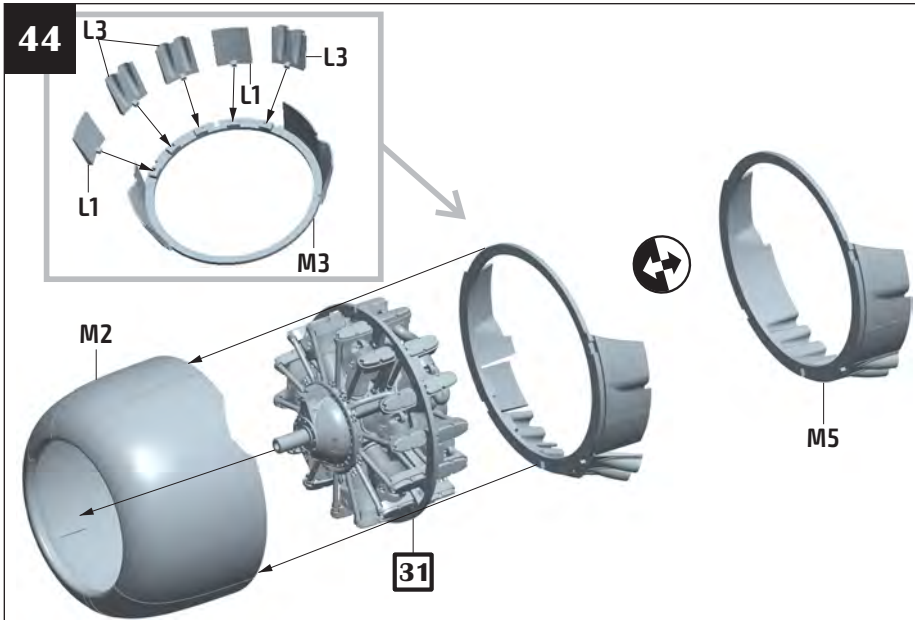
42

×2 MAKE 2 PIECES

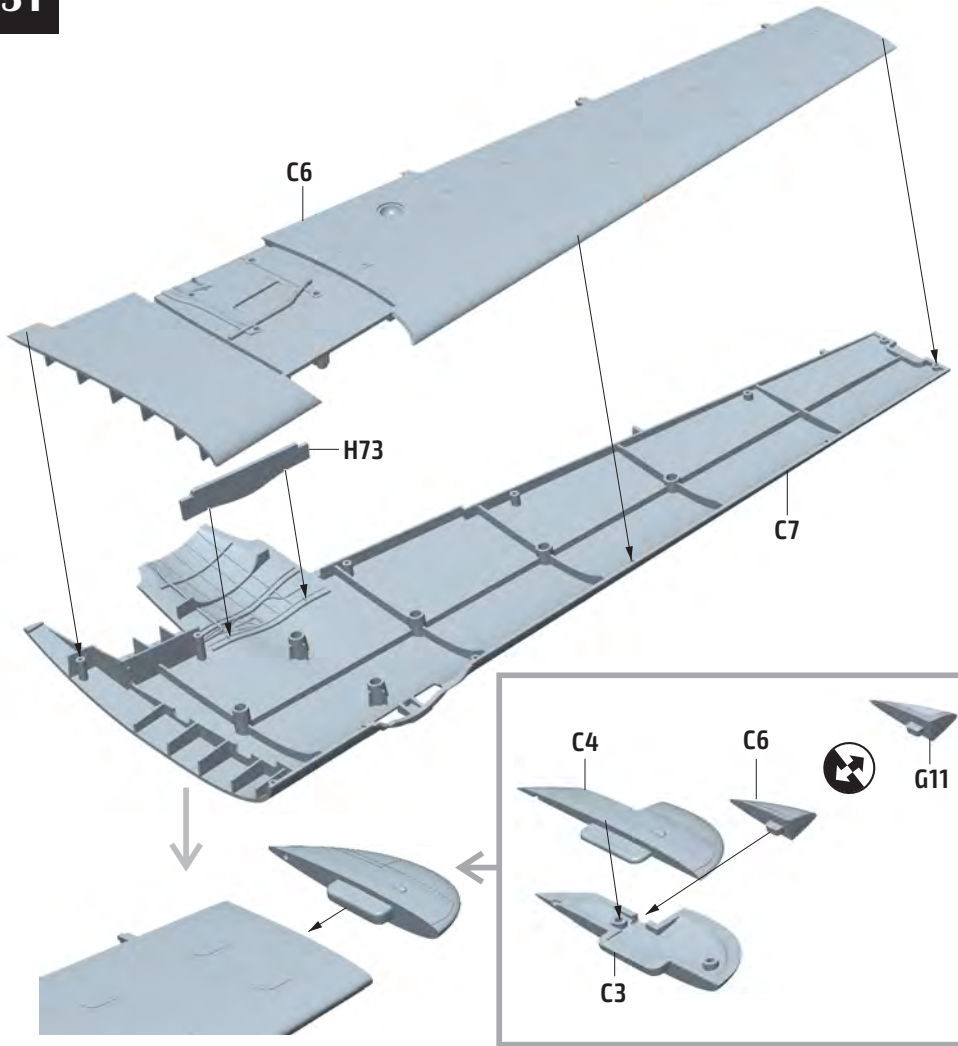


43

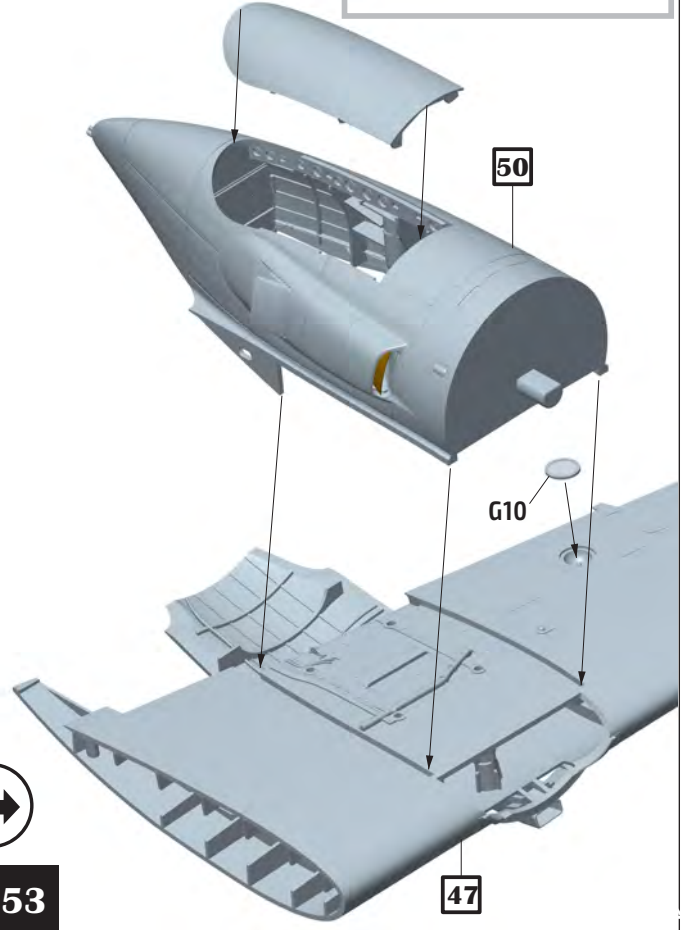
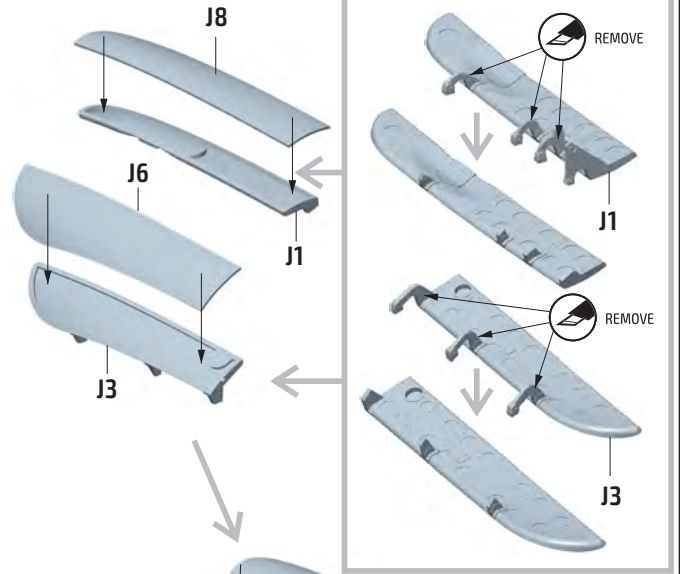
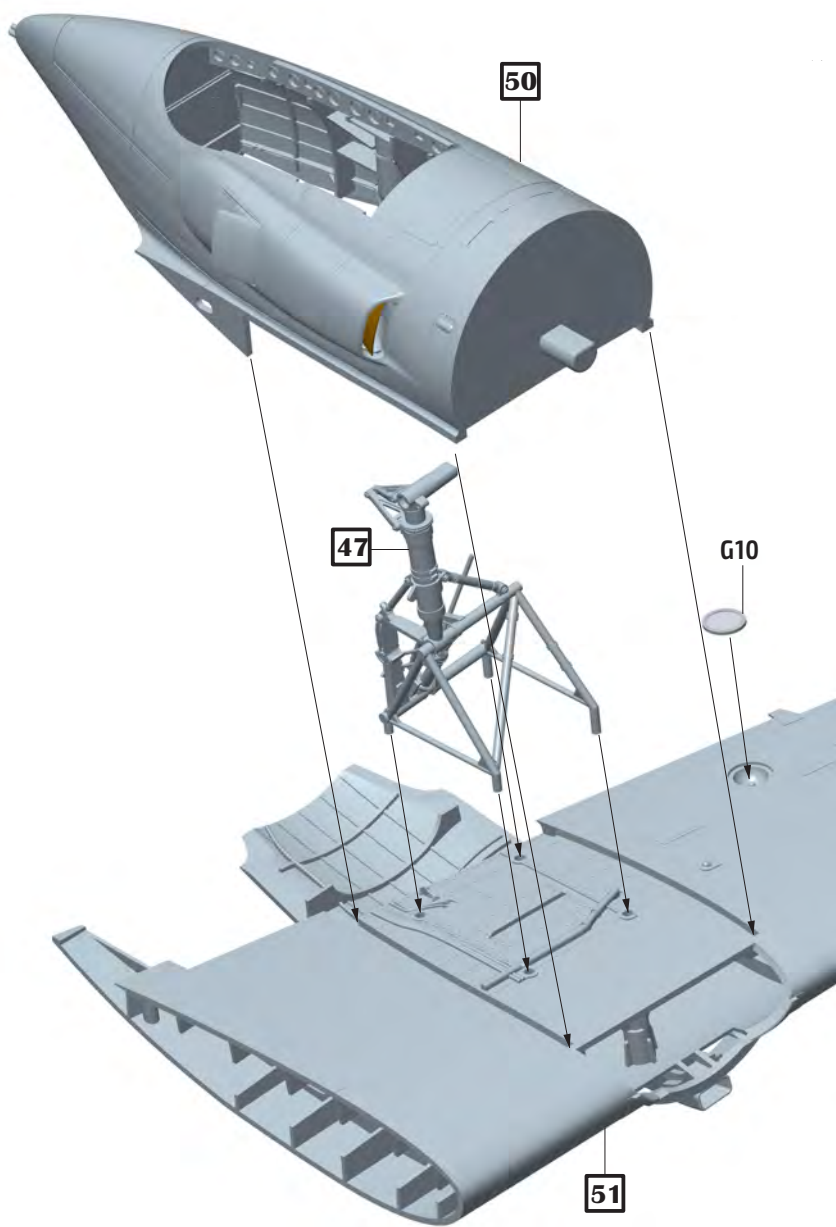




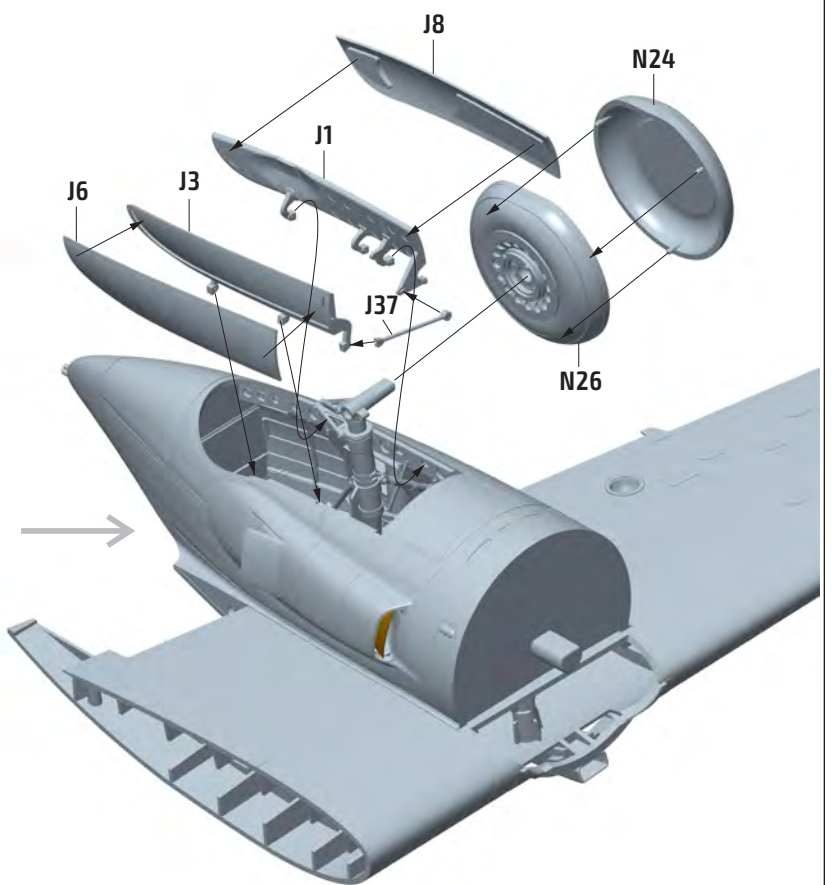
51



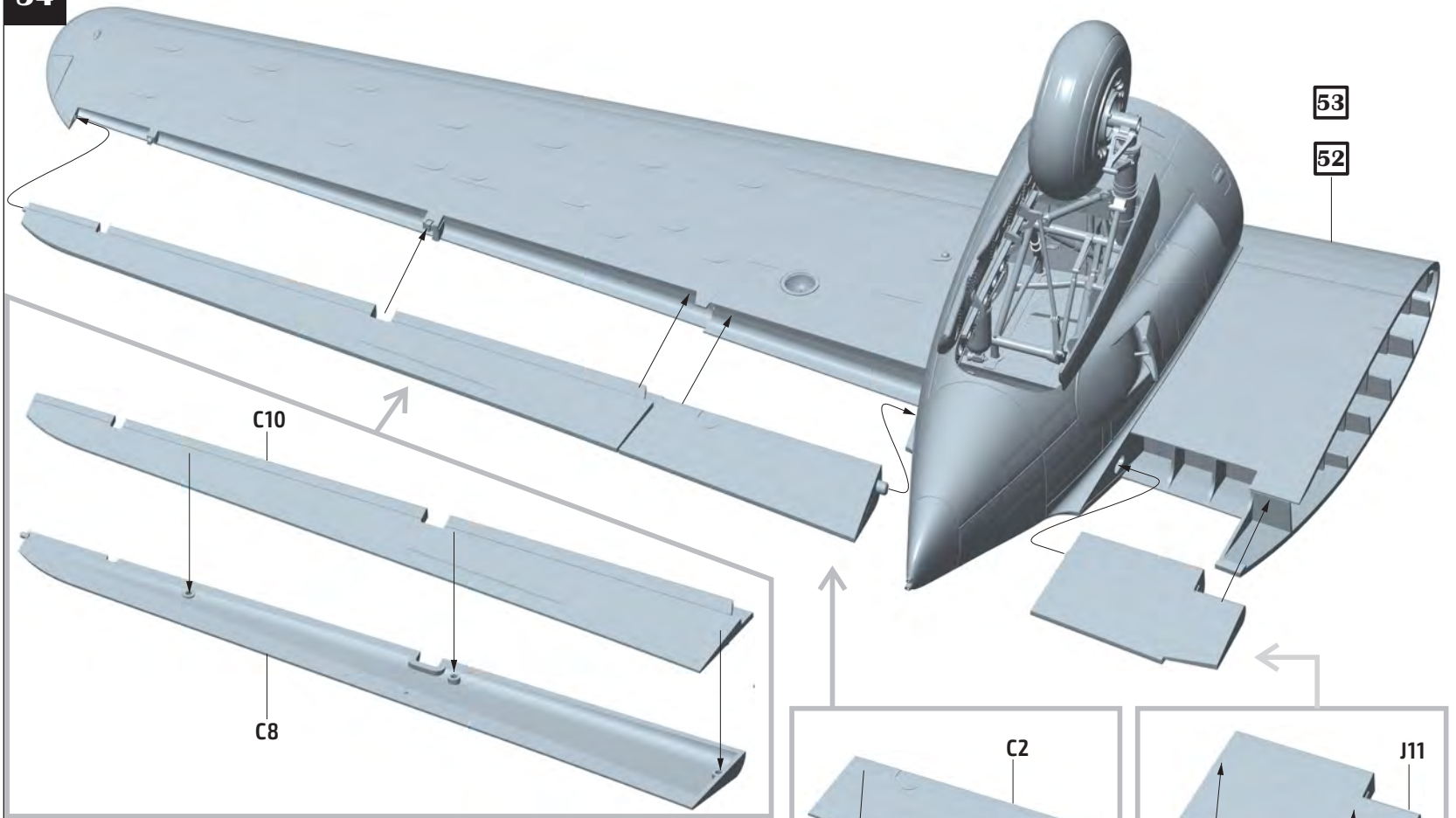
52



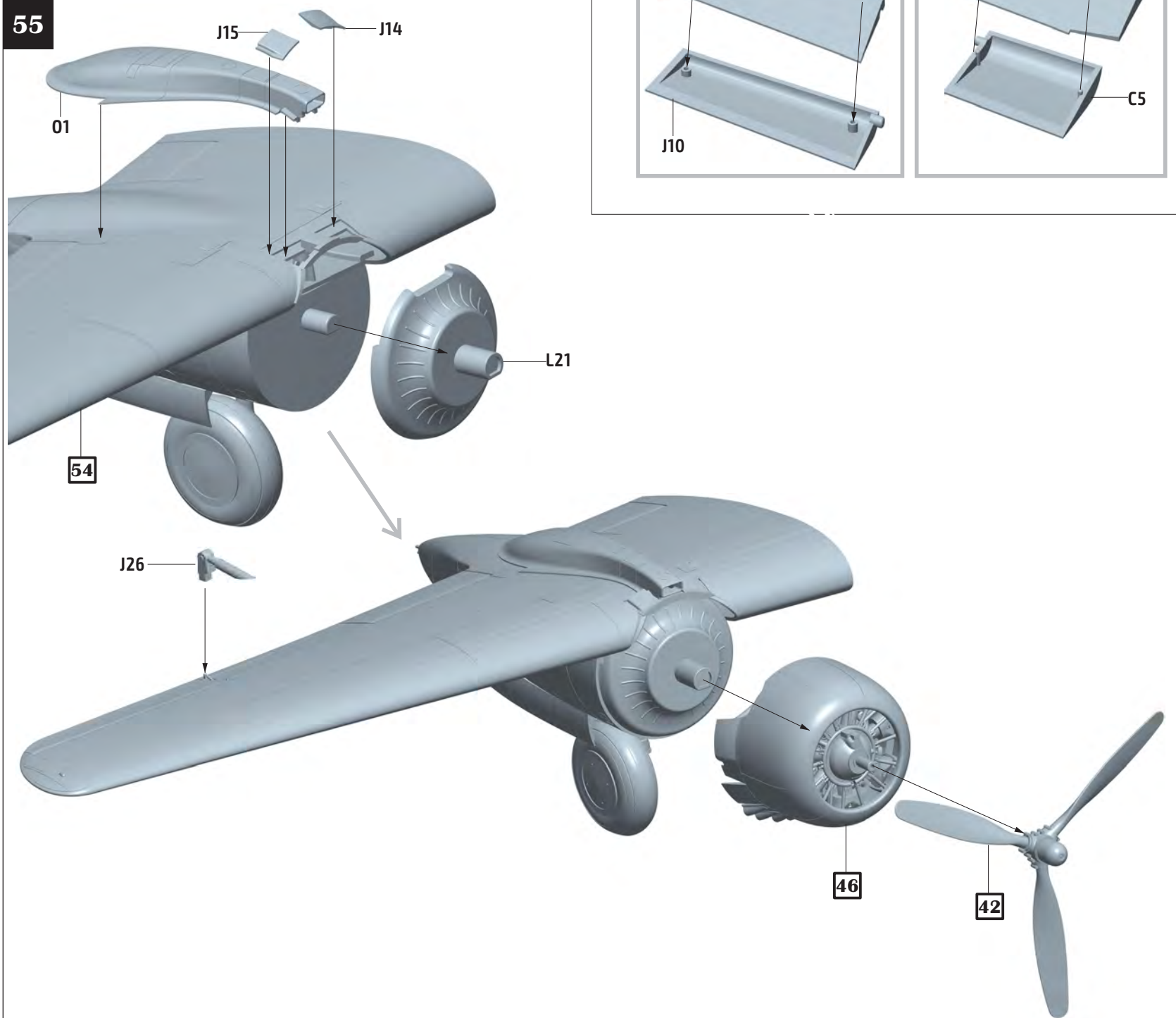
53

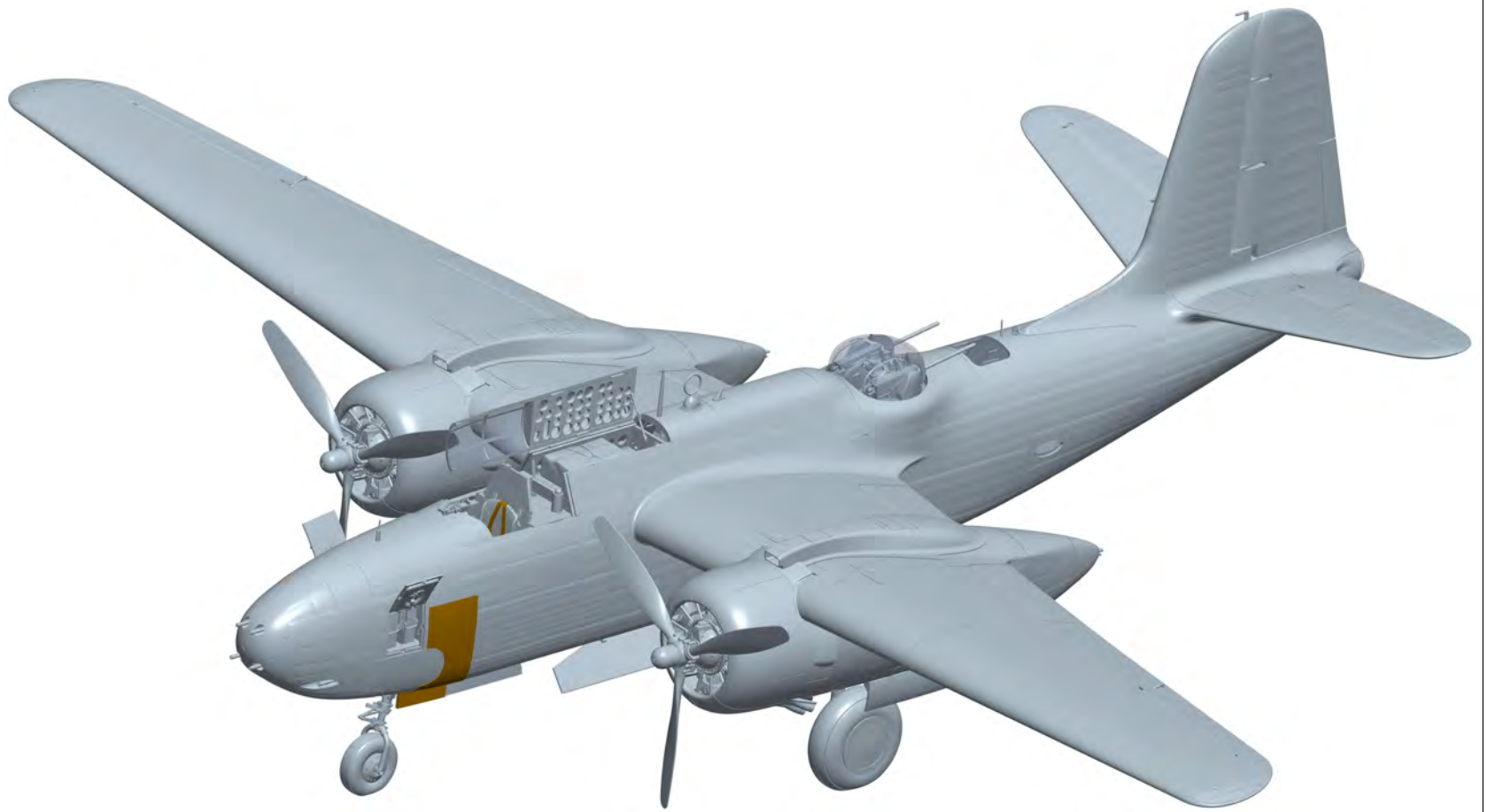
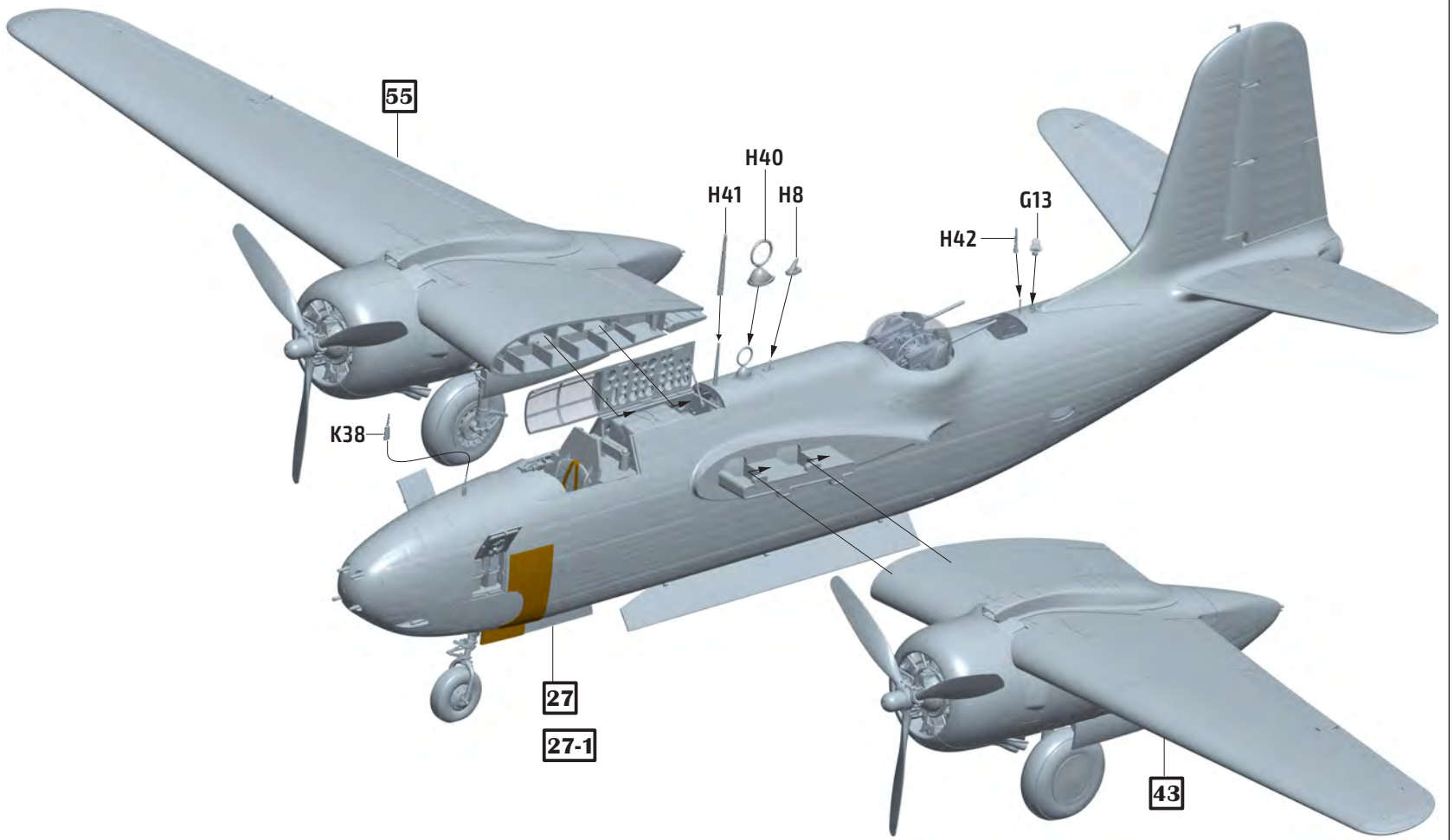


54

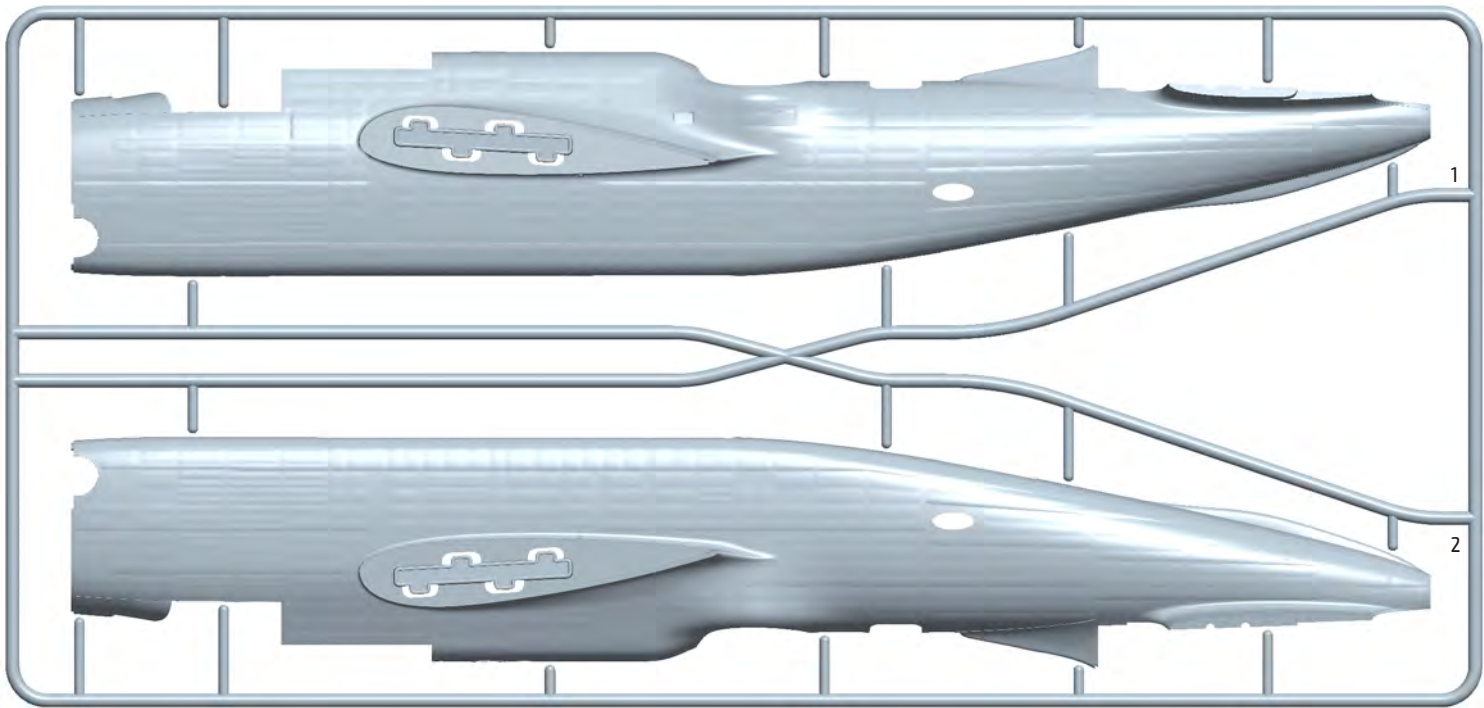


55





Parts



B PART

C PART

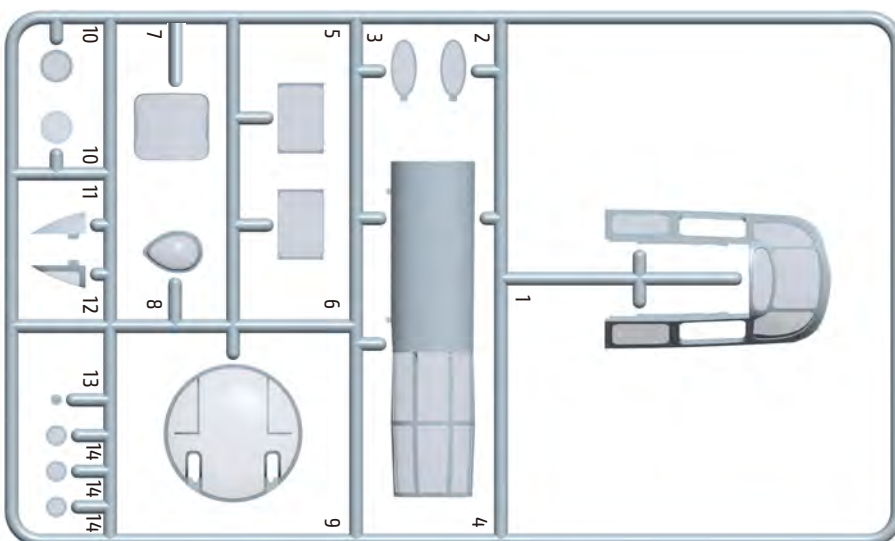
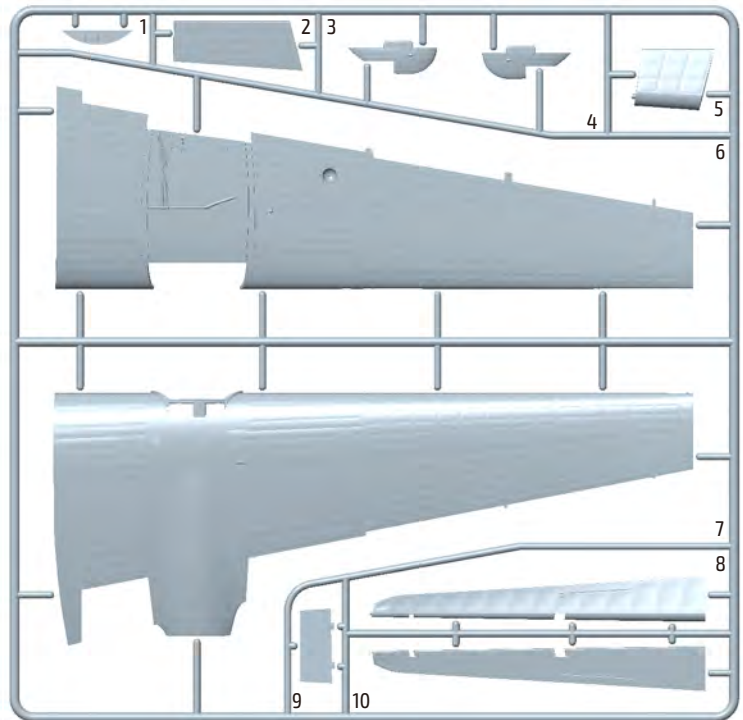
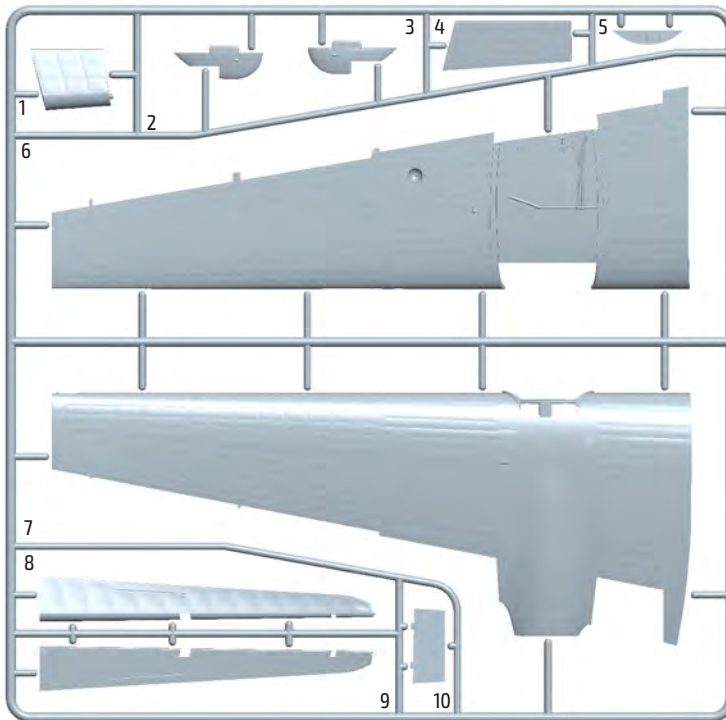
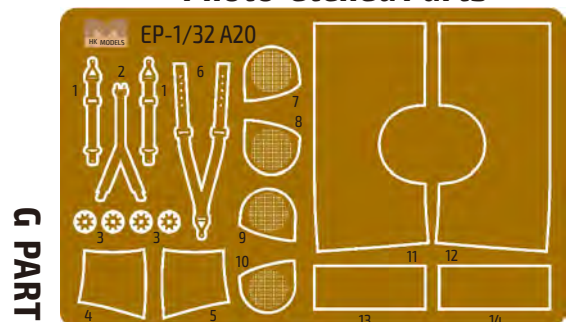
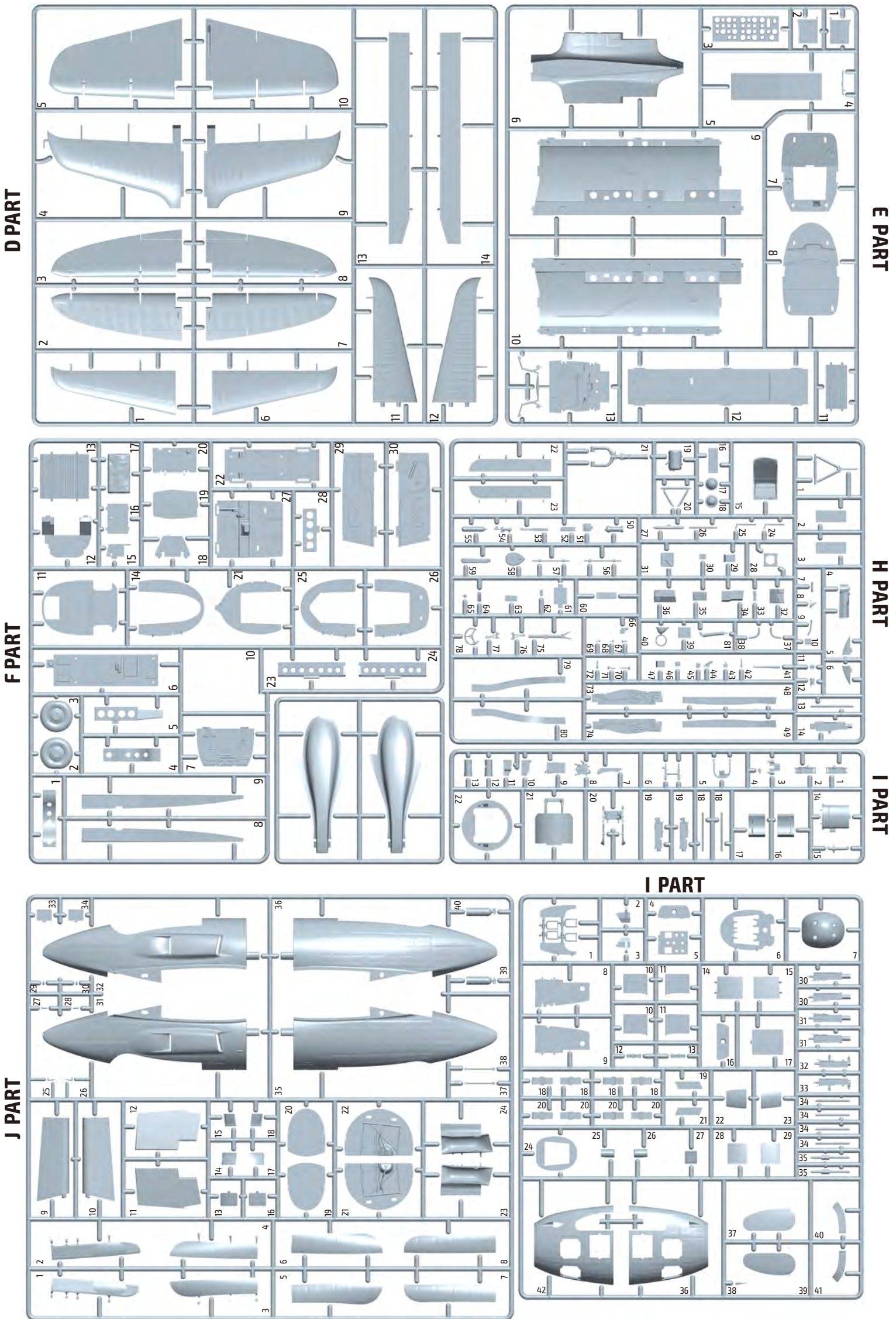


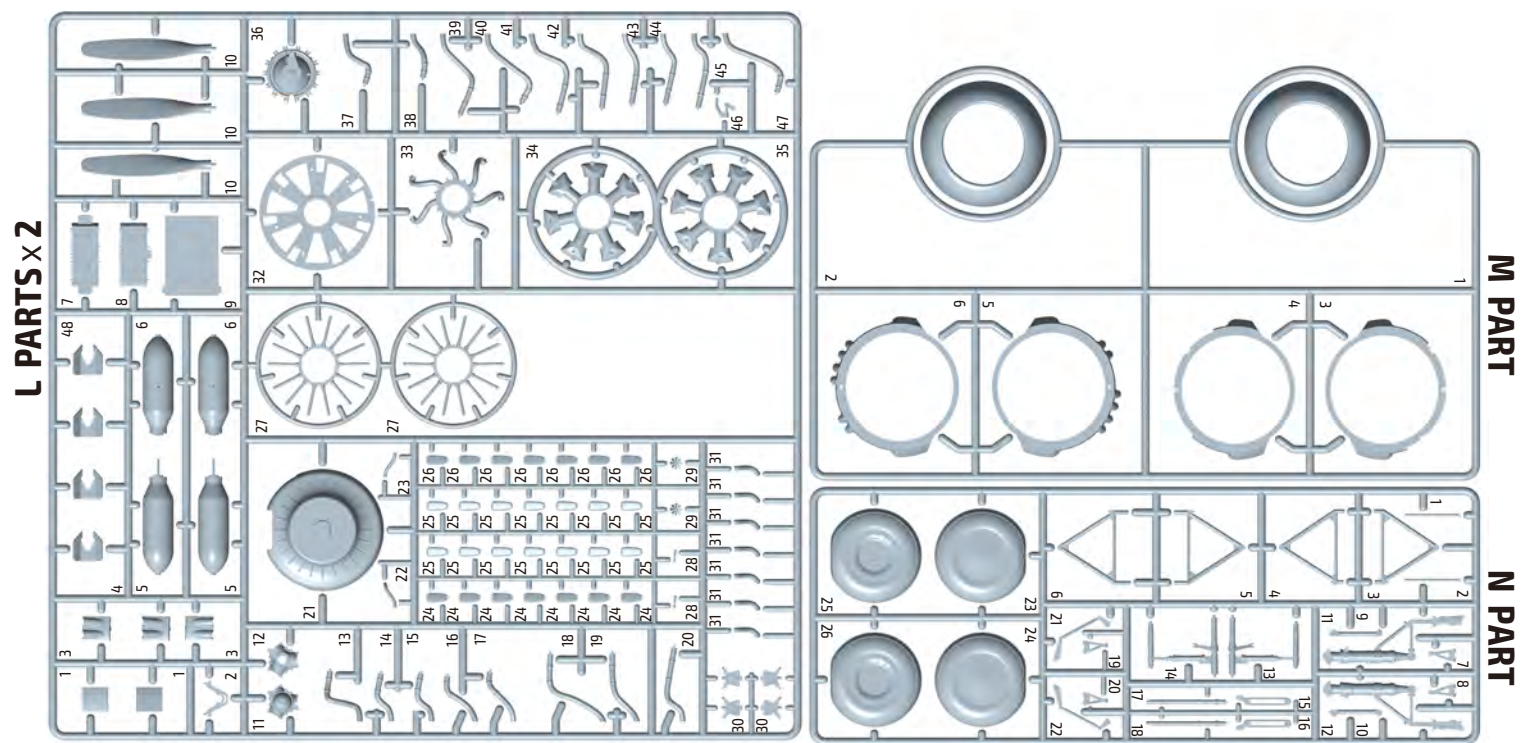
Photo-etched Parts



Parts



Parts



Decals

Colour Guide

Key	AK Interactive	Gunze/Mr.Hobby	Tamiya
A: Olive Drab 41	RC259	H78	XF-62
B: Neutral Grey 43	RC261	H53	XF-53
C: Medium Green 42	RC260	-	-
D: Rubber Black	RC022	H77	XF-85
E: Aluminium	AK479	MC218	XF-16
F: Flat Yellow	RC267	H413	XF-3
G: Flat Black	RC001	H12	XF-1
H: Dull Dark Green	RC230	H302	XF-26
I: Gunmetal	RC015	MC214	X-10
J: Brass	AK475	MC219	X-12
K: Steel	AK476	H18	XF-56
L: Light Wood	RC014	H79	XF-78
M: Grey	RC296	H331	XF-77
N: White	RC004	H11	XF-2
O: Light Green	AK11134	H50	XF-71:4 + XF-2:1
P: Clear Red	RC503	H90	X-27
Q: Clear Green	RC505	H94	X-25

In cooperation with:



Illustration, manual layout and format: **Tomek Wajnkaim & AK-Interactive**
Manual and assistance: **AK-Interactive**

