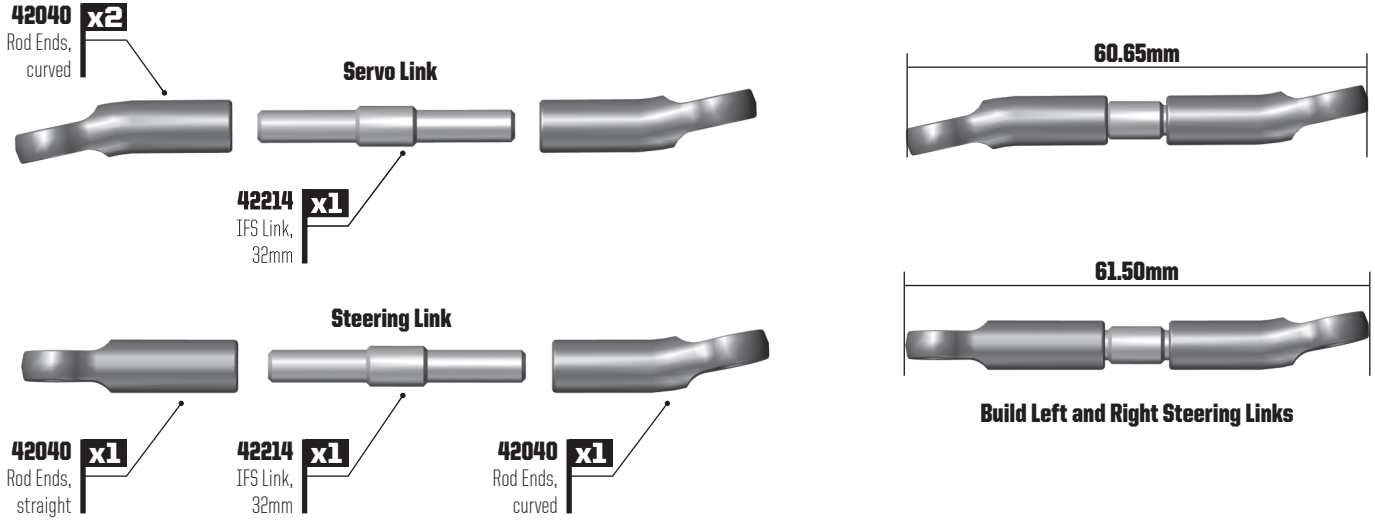
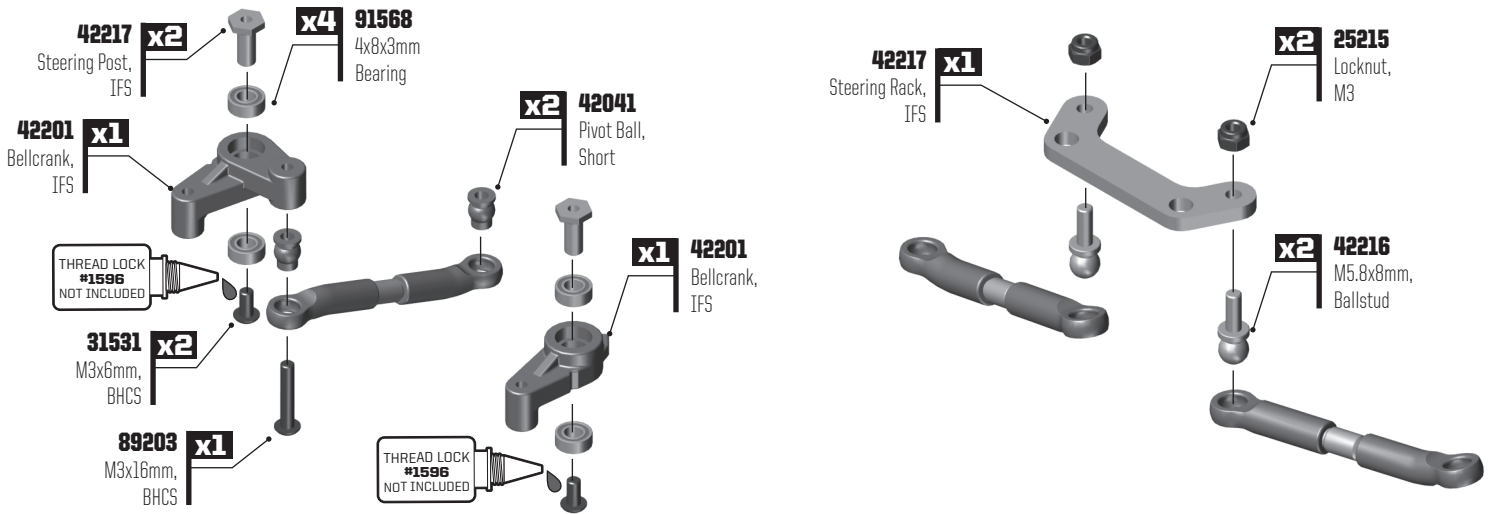


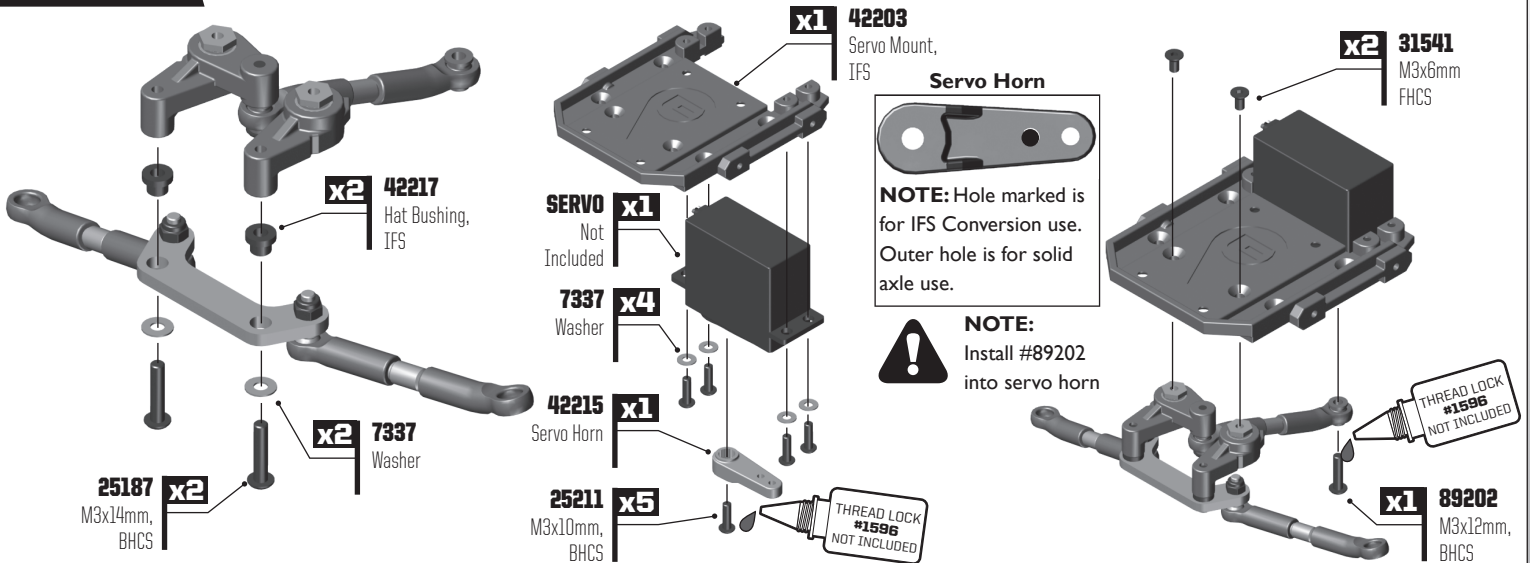
**GATE 01** IFS CONVERSION BUILD: BAG 1



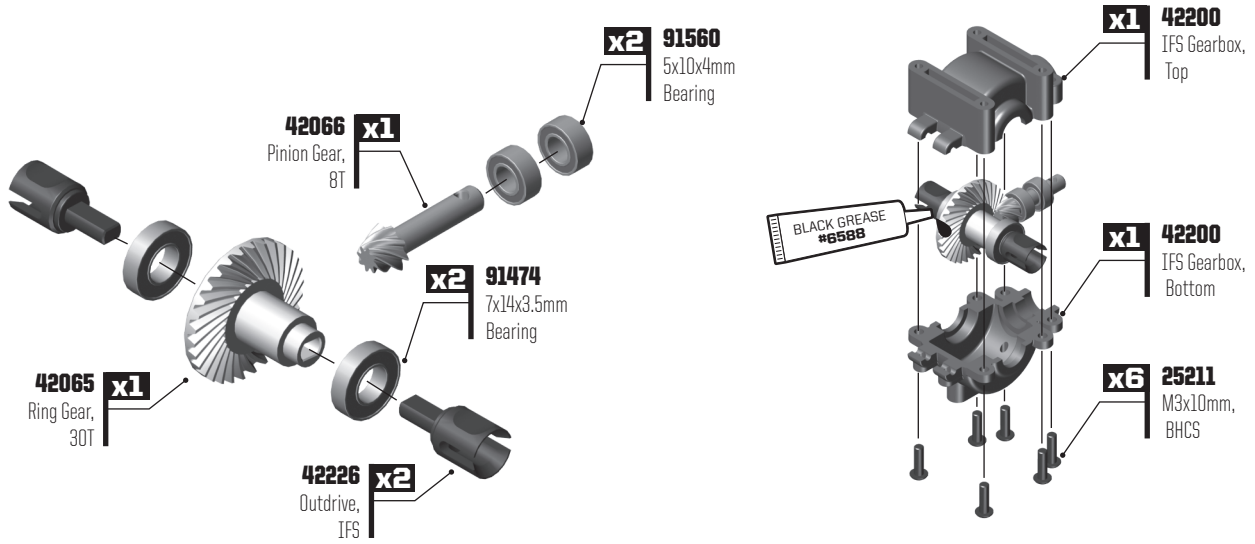
**GATE 02** IFS CONVERSION BUILD: BAG 2



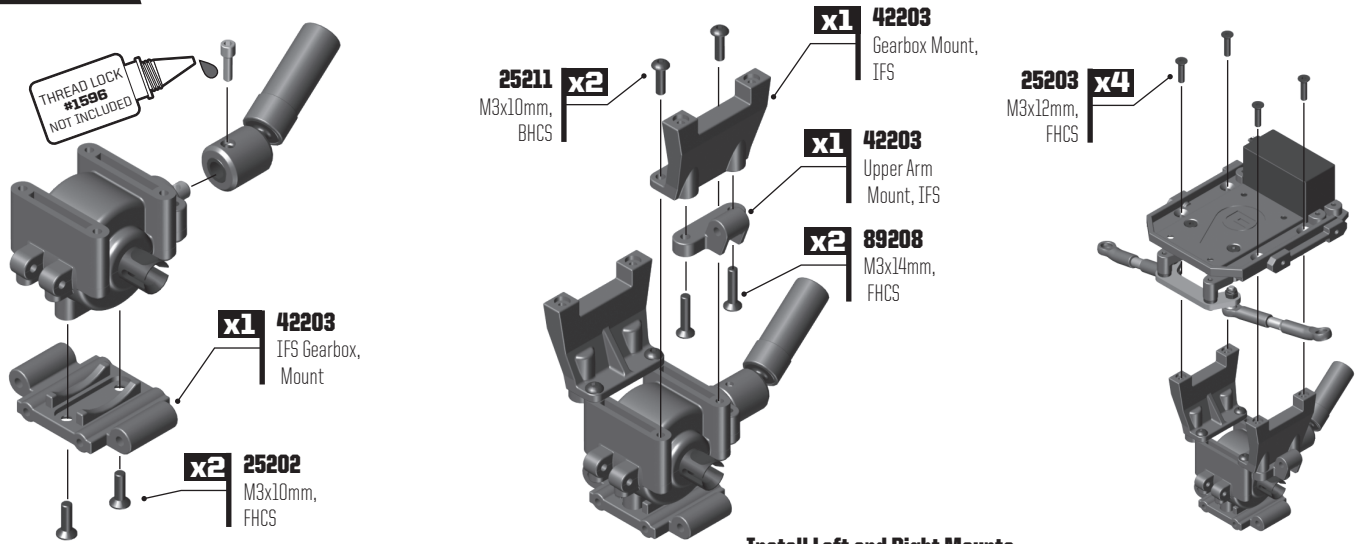
**GATE 03** IFS CONVERSION BUILD: BAG 2



**GATE 04 IFS CONVERSION BUILD: BAG 3**

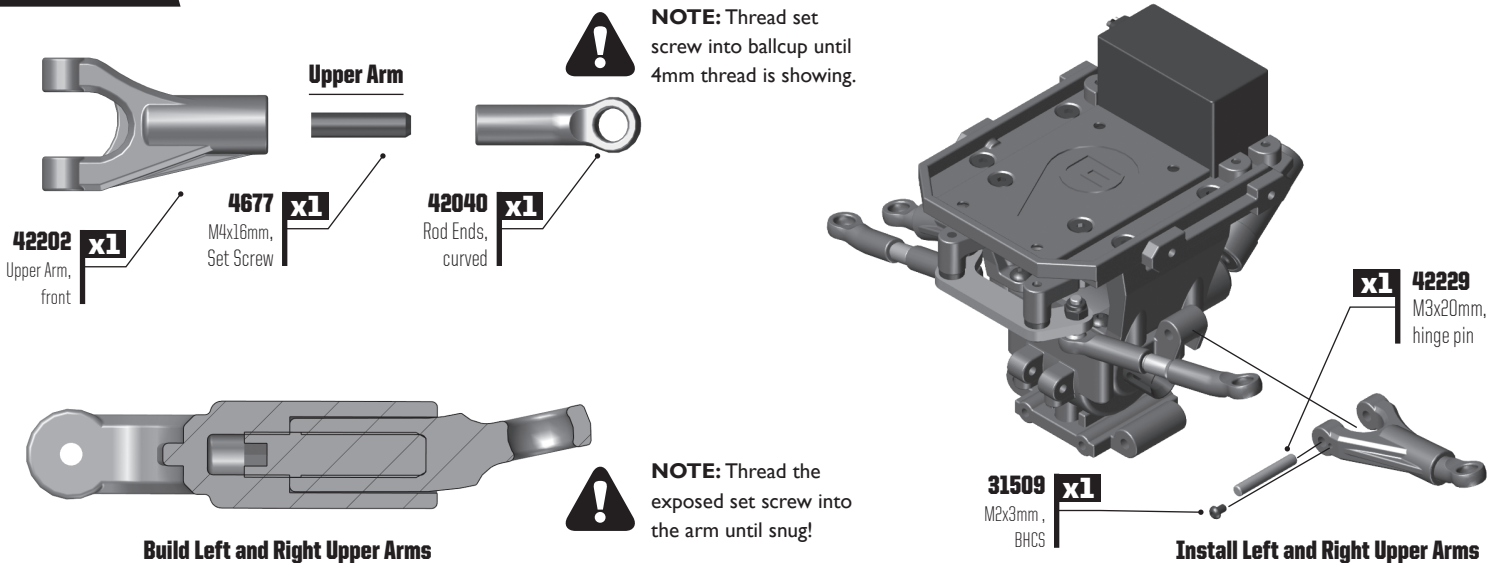


**GATE 05 IFS CONVERSION BUILD: BAG 3**



**Install Left and Right Mounts**

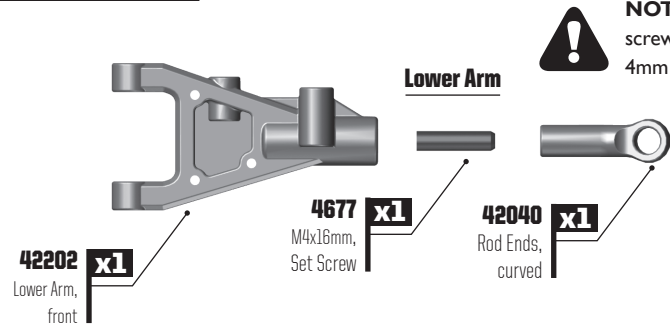
**GATE 06 IFS CONVERSION BUILD: BAG 4**



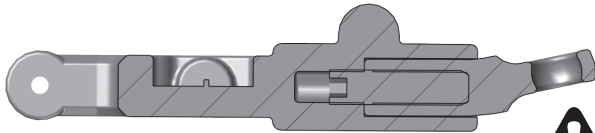
**Build Left and Right Upper Arms**

**Install Left and Right Upper Arms**

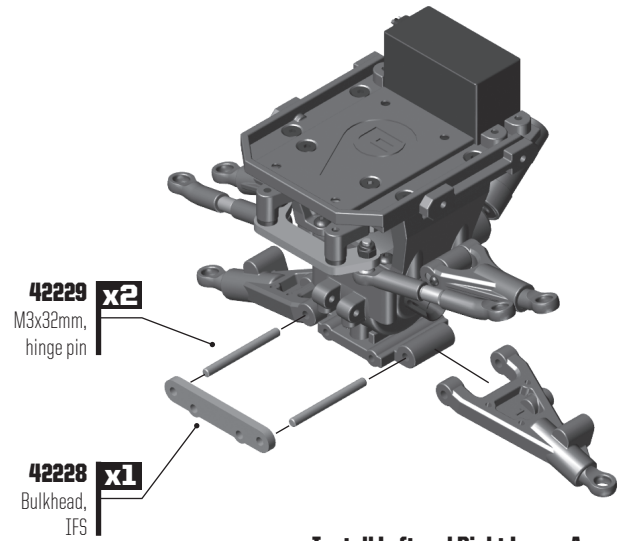
## GATE 07 IFS CONVERSION BUILD: BAG 4



**NOTE:** Thread set screw into ballcup until 4mm thread is showing.



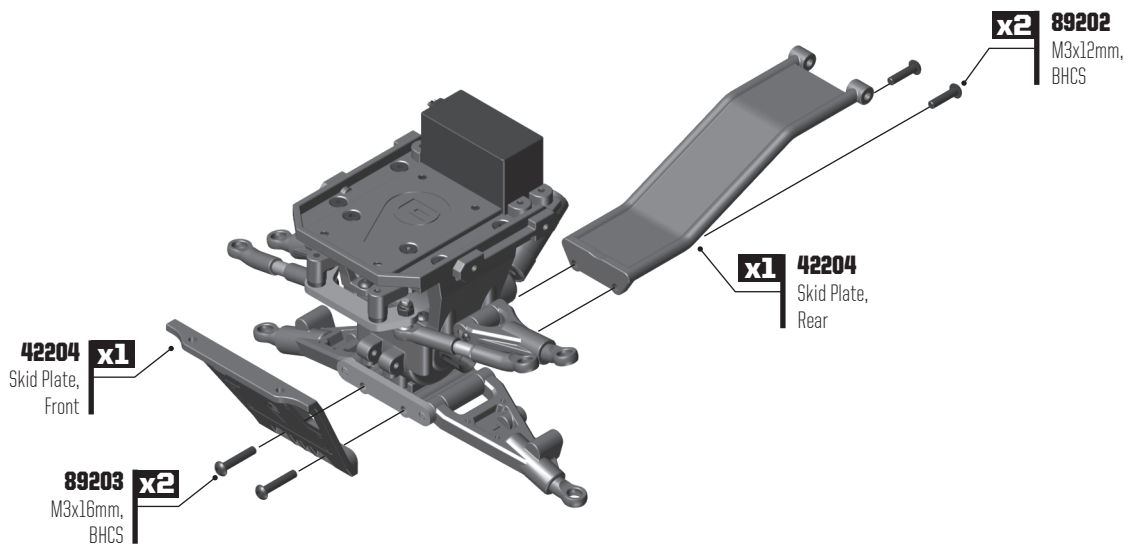
**Build Left and Right Lower Arms**



**Install Left and Right Lower Arms**

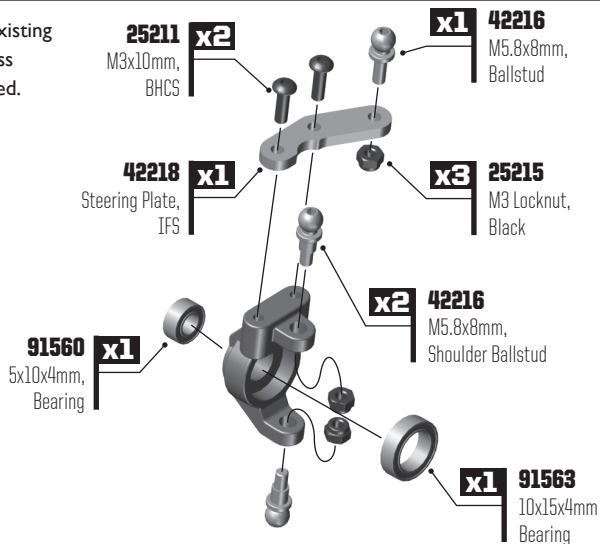
**NOTE:** Thread the exposed set screw into the arm until snug!

## GATE 08 IFS CONVERSION BUILD: BAG 5

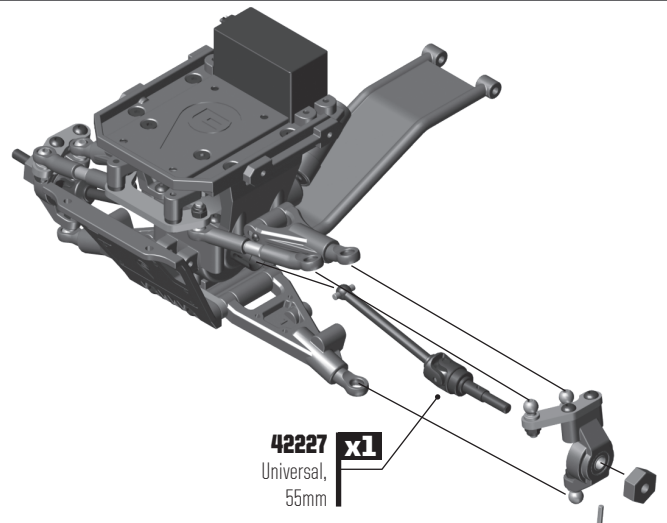


## GATE 09 IFS CONVERSION BUILD: BAG 6

**NOTE:** Use existing hardware unless otherwise noted.



**Build Left and Right Steering Blocks**

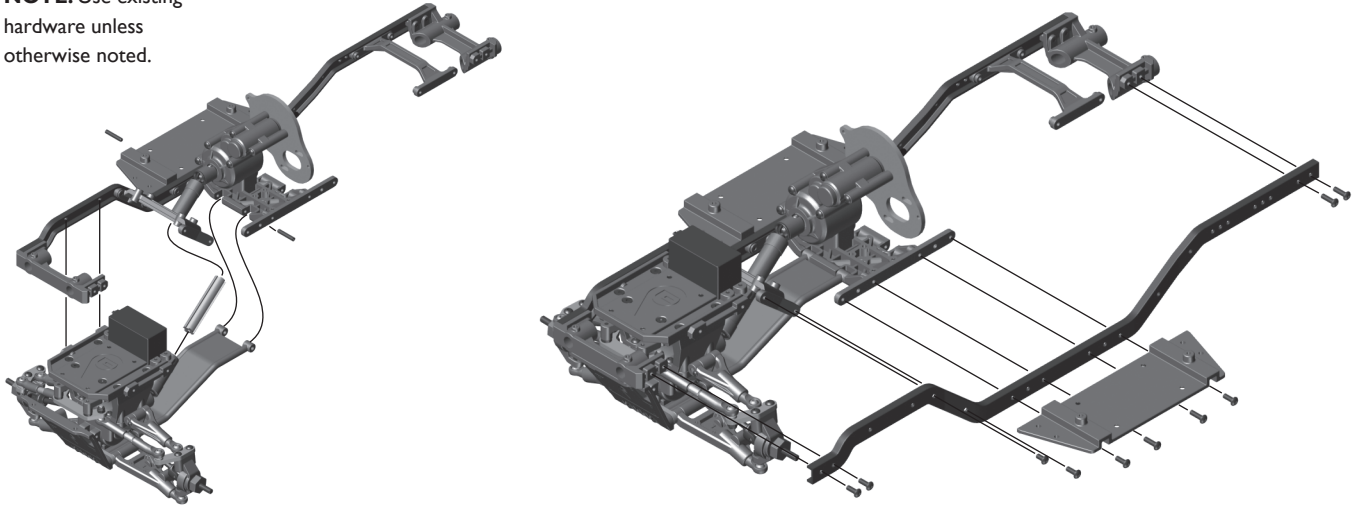


**Install Left and Right Steering Blocks**

**GATE 10 IFS CONVERSION BUILD: BAG 7**



**NOTE:** Use existing hardware unless otherwise noted.



**GATE 11 IFS CONVERSION BUILD: BAG 7**



**NOTE:** Use existing hardware unless otherwise noted.

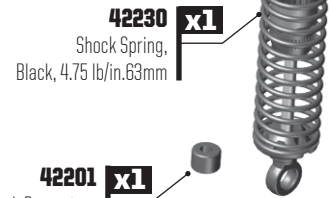
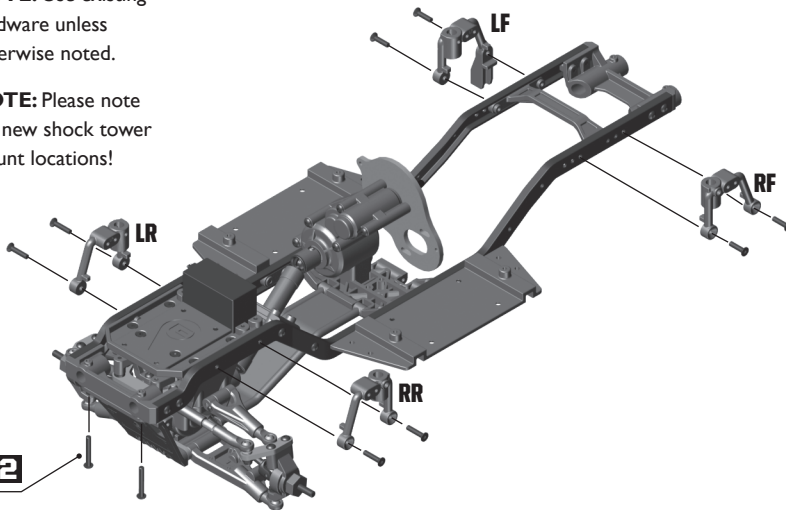


**NOTE:** Please note the new shock tower mount locations!



**NOTE:** Replace the stock front shock spring with #42230

**25188** **x2**  
M3x20mm,  
BHCS

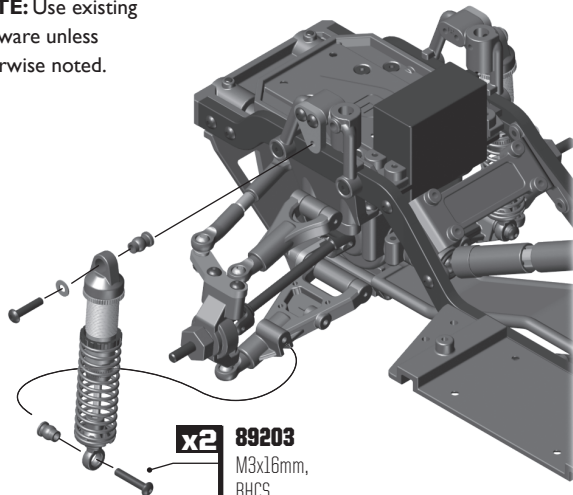


**NOTE:** Optional Bump Stop Limiter for the front shocks.

**GATE 12 IFS CONVERSION BUILD: BAG 7**

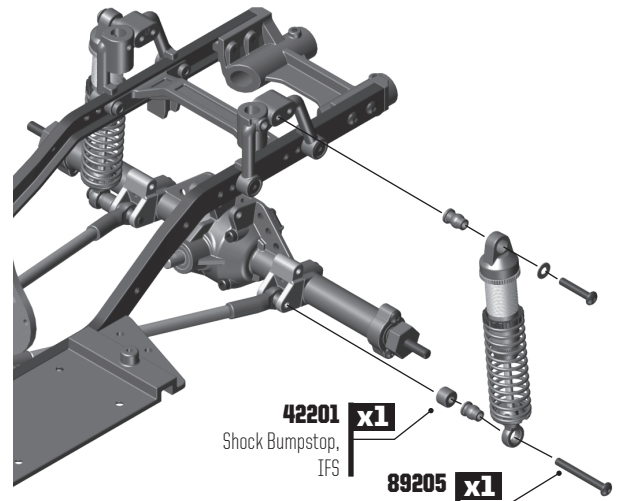


**NOTE:** Use existing hardware unless otherwise noted.



**x2** **89203**  
M3x16mm,  
BHCS

**Install Left and Right Front Shocks**



**42201** **x1**  
Shock Bumpstop,  
IFS

**89205** **x1**  
M3x26mm,  
BHCS

**Install Left and Right Rear Shocks**