

IMPORTANT INFORMATION

The pump is not serviceable. DO NOT attempt to service the pump. Doing so may cause the warranty to be voided.

- To reduce the risk of electric shock, use indoors only.
- Remove the product plug from the electrical outlet before cleaning.
- Allow the unit to cool down for 3 minutes after 5 minutes of continuous pump operation.
- The pump contains a thermal switch that will automatically shut down the unit if it gets too hot. To reset, turn the pump switch to OFF and unplug the unit from the AC outlet to allow it to cool. The pump will function properly once normal temperatures are reached.

⚠ WARNING:

- DO NOT use the electric pump near wet surfaces or if water has entered the pump.
- DO NOT immerse the product pump in water or cleaning liquid.
- Always keep the power cord away from hot surfaces. If the power cord or plug is damaged, contact consumer service.
- This appliance has a polarized plug (one blade is wider than the other). This plug will fit in a polarized outlet only one way. If the plug does not fit fully in the outlet, reverse the plug. DO NOT change the plug in any way.
- DO NOT place the power cord under the bed, furniture or carpet coverings.

⚠ **WARNING:** ADULT SUPERVISION AND SETUP REQUIRED. This product should be inflated or deflated by a competent adult.

- This is not a lifesaving device. DO NOT leave child unattended while device is in use.
- Choking hazard - small parts. Not for children under 3 years
- Infants and young children can suffocate on inflatable mattress
- Avoid entrapment between the mattress and vertical spaces created by walls, dressers, and other furniture.
- Always supervise children around mattress.
- Keep sharp objects away from mattress
- Mattress not for use in water. do not fill with water.
- Mattress not for use in moving vehicles
- DO NOT over inflate. do not inflate with a high pressure inflater.
- DO NOT use flammable substances (like aerosol tire repair products) with your airbed. the mattress may ignite or explode.
- Always keep mattress fully inflated when in use.
- The electrical pumps are not toys. Use under the supervision of a competent adult.
- DO NOT use candles, matches or an open flame of any kind in or near Inflatable Mattress & Playspace.
- Inflatable Mattress & Playspace is not a floating toy, do not play in pool, beach, or body of water.
- This is not an aquatic toy.
- To be used indoor ONLY.
- Inflatable Mattress & Playspace requires adult assembly.
- Electrical pump in mattress base is built in.

- Not for outdoor use.
- Remove the plug from the socket before use.
- Keep the area around the product clean and clear of objects to prevent slips and falls.
- DO NOT allow attachment of items such as jump ropes, pet leashes, cables, etc., to product as they may cause a strangulation hazard.
- DO NOT drag the unit as doing so may cause irreparable damage.
- DO NOT use the unit if it is wet as it may become slippery.
- DO NOT allow children to play in the product until it is fully inflated.
- DO NOT allow food, drink, or gum inside unit.
- DO NOT use extension cords with this product.
- DO NOT allow children to play together who are unevenly matched in weight and height.
- Ensure the play area is free from hazards such as furniture, walls, sharp objects and other hard surfaces before inflating the unit and playing in it.
- Children must remove helmets, loose clothing, scarves, headgear, shoes, and glasses, as well as any sharp objects from their pockets, as they may puncture the surfaces.
- Toys and other objects should never be allowed inside the product.
- Keep pets away from the product.
- Prior to deflating, remove all children.
- Always deflate product after use, and store indoors.
- Users must be discouraged from attempting any unauthorized modification.

LIMIT 2 CHILDREN, 60 LBS (27 KG) MAXIMUM EACH

LIMITED WARRANTY

Bixbee® makes fun, high quality products. We warrant to the original purchaser that this product is free of defects in materials or workmanship for 90 days from the date of purchase (dated sales receipt is required for proof of purchase). At the sole election of Bixbee®, the only remedies available under this warranty will be either replacement of the defective part or replacement of the product. This warranty is valid only if the product has been assembled and maintained per the instructions. This warranty does not cover abuse, accident, cosmetic issues such as fading or scratches from normal wear, or any other cause not arising from defects in material and workmanship. U.S.A. and Canada: For warranty service or replacement part information, please visit our website at www.bixbee.com, email: customersupport@bixbee.com, call 1-877-573-7833 or write to: Bixbee Customer Service, 2555 S. Leavitt Street, Chicago, Illinois 60608 U.S.A. Some replacement parts may be available for purchase after warranty expires - contact us for detail. Outside U.S.A. and Canada: Contact place of purchase for warranty service. We warrant to the original purchaser that the material in this product is free of defects in materials or workmanship for 90 days from the date of purchase, (dated sales receipt is required for proof of purchase). This warranty gives you specific legal rights, and you may also have other rights, which vary from state/country to state/country. Some states/countries do not allow the exclusion or limitation of incidental or consequential damages, so the above limitation or exclusion may not apply to you.

*The warranty period is three months for daycare or commercial purchasers.

Please keep this address and packaging for reference since it contains important information. Please remove all packaging including tags, ties & tacking stitches before giving this product to a child.

Bixbee Customer Service, 2555 S. Leavitt Street, Chicago, Illinois 60608 U.S.A.
Email: customersupport@bixbee.com
Tel: 1-877-573-7833

Bixbee.com

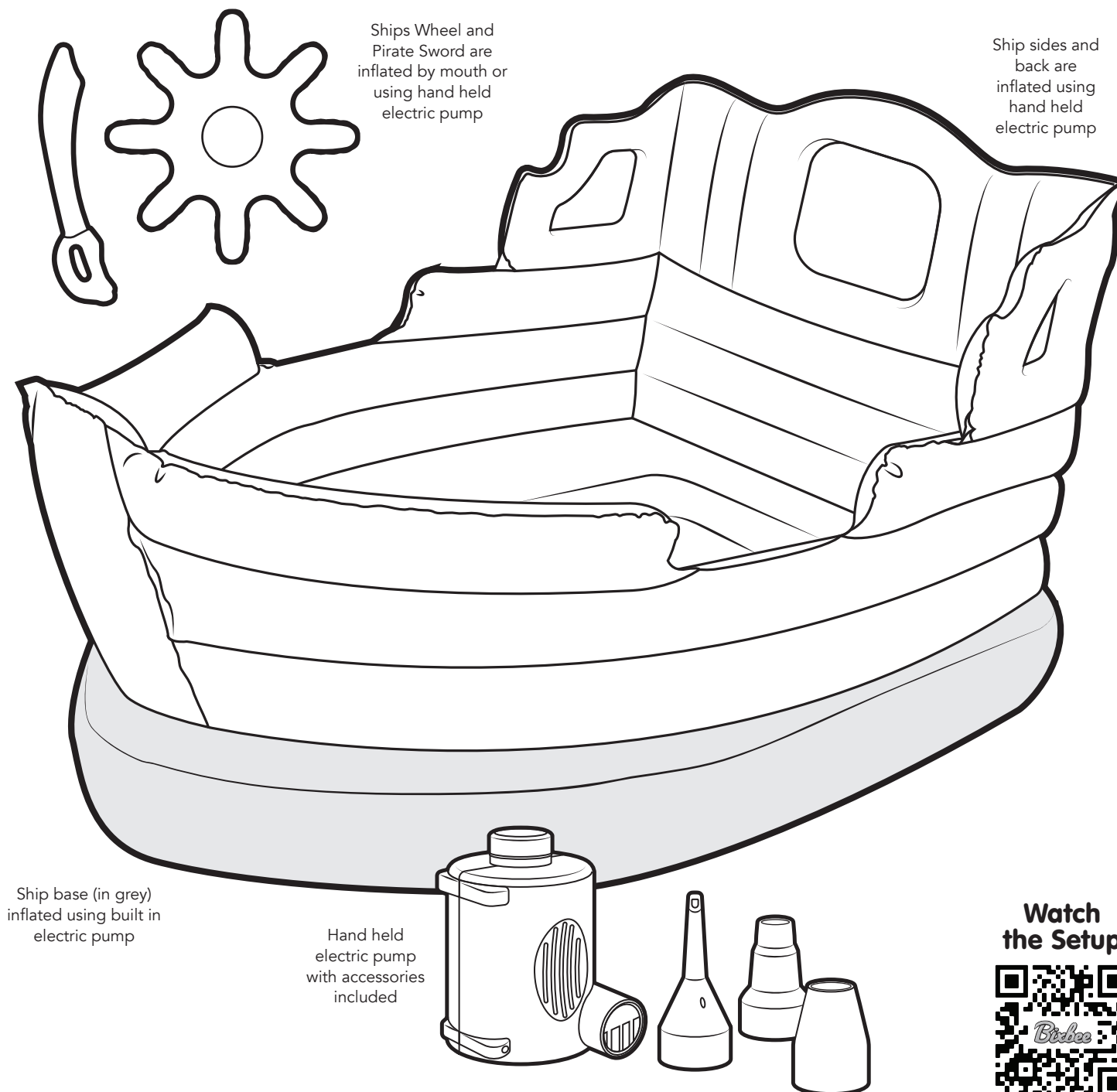
Made in China. Printed in China

Bixbee

Buccaneer Pirate Ship

Inflatable Mattress & Playspace

Package Contains: 1 inflatable Mattress & Playspace with integrated motor, 1 inflatable toy sword, 1 inflatable ships wheel, 1 motor, 1 storage bag, 2 repair patches, product manual



Ship sides and back are inflated using hand held electric pump

Ships Wheel and Pirate Sword are inflated by mouth or using hand held electric pump

Ship base (in grey) inflated using built in electric pump

Hand held electric pump with accessories included

Watch the Setup



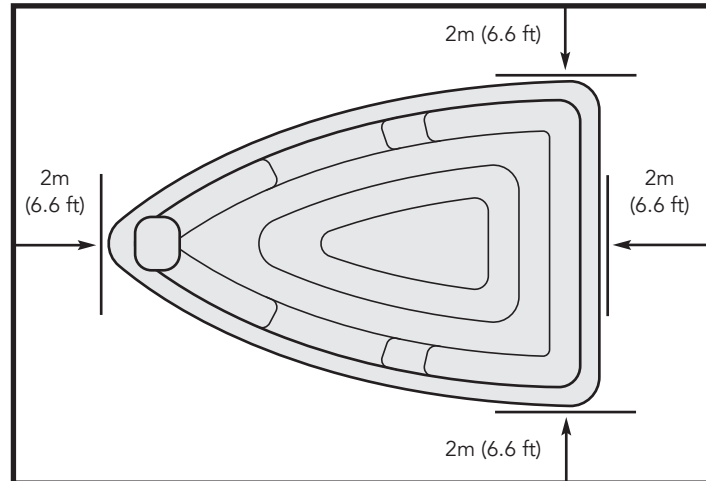
SETTING UP THE PIRATE SHIP

ADULT ASSEMBLY AND SUPERVISION REQUIRED

1. Clear an indoor area (see diagram) and place the folded product inside the area.
2. Fully unfold the product with the built in motor near a 120 volt AC wall electrical outlet.

MINIMUM CLEARANCE ZONES

Make sure that there is a 2m (6.6 ft) obstacle-free zone around the product.



INFLATING THE PIRATE SHIP BASE (MATTRESS)

3. With the knob on the control panel in the OFF position, open the cord storage area door and carefully extend the cord (Fig. 1).
4. Plug the cord into the wall outlet.
5. Turn the knob on the control panel to INFLATE (Fig. 1).
6. Allow the mattress to inflate until it is firm but the seams still show slight wrinkling then turn the knob to OFF. (DO NOT over-inflate).
NOTE: The knob must be completely centered at OFF to prevent deflation (Fig 1A).
7. Place the power cord in the control panel cord storage door prior to allowing children to play on the product.

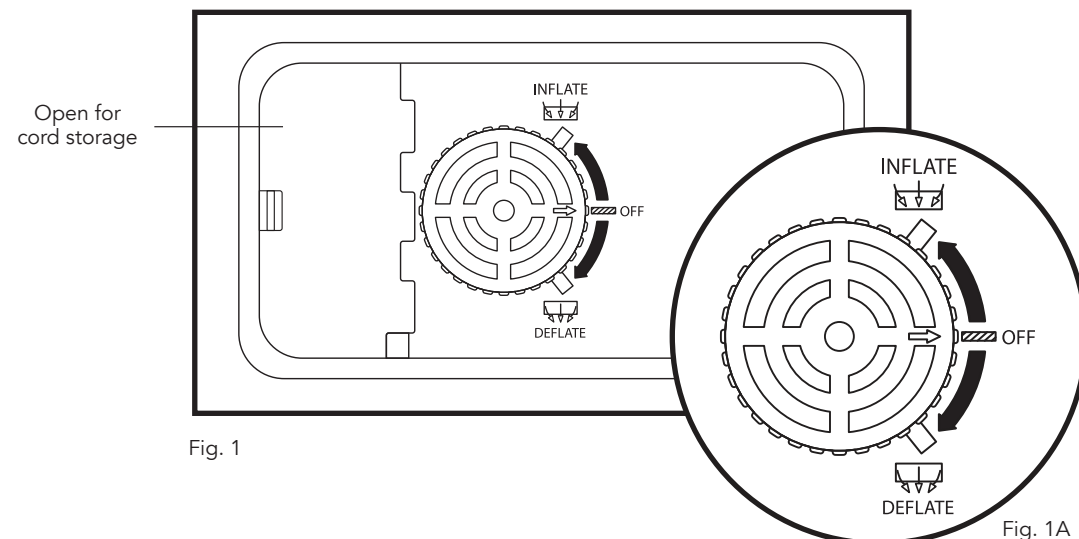


Fig. 1

Fig. 1A

INFLATING THE PIRATE SHIP SIDES AND BACK

8. Find and open the inflating valve(s) (Fig 2).
9. Blow up sides and back by mouth or use hand held electric pump.
10. Once inflated close the valve immediately and press firmly (Fig 3).

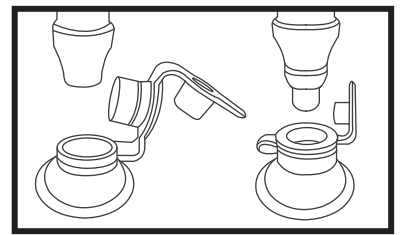


Fig. 2

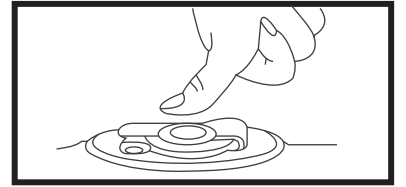


Fig. 3

DEFLATING THE PIRATE SHIP (BASE)

11. Open the large air outlet near the control panel (Fig 4).
12. Turn the knob on the control panel to DEFLATE.
13. Once deflated, turn the knob on the control panel to OFF, unplug the unit and store the cord inside the control panel door (Fig 5).

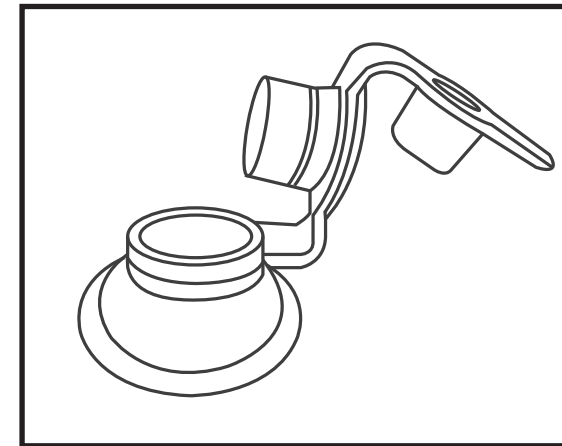


Fig. 4

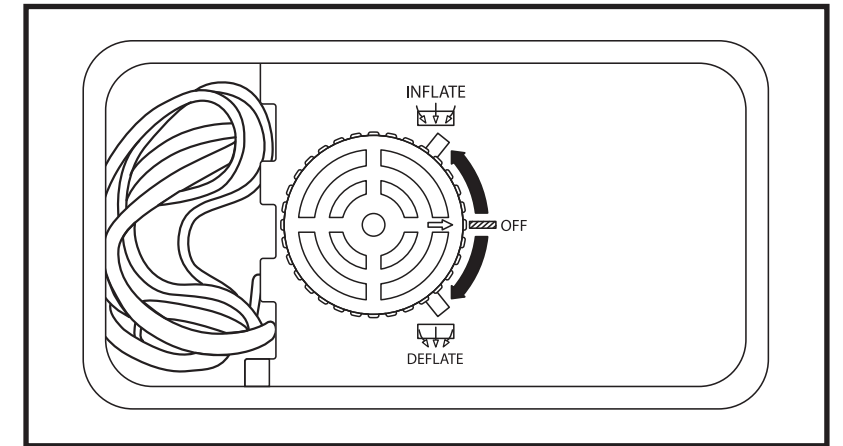


Fig. 5

DEFLATING THE PIRATE SHIP SIDES AND BACK

14. Locate the valve(s) on the base, sides and back. Release large valve.
Press down on product until all the air has been expelled.

REPAIRING A PUNCTURE

In the event the product is accidentally punctured, an adult must perform the following steps:

1. Deflate the item, clean the punctured area with water and allow to dry.
2. Cut to required size depending upon hole or puncture.
3. Remove vinyl patch from paper backing.
4. Press patch firmly over hole or puncture.
5. Do not inflate for 20 minutes.

MAINTENANCE

The product should be periodically examined for potentially unsafe conditions such as: damaged cord, plug, housing, etc. In the event such damage is found, the product should not be used until properly repaired. Refer to the instructions for set-up, maintenance and care. To clean use mild detergent and water.