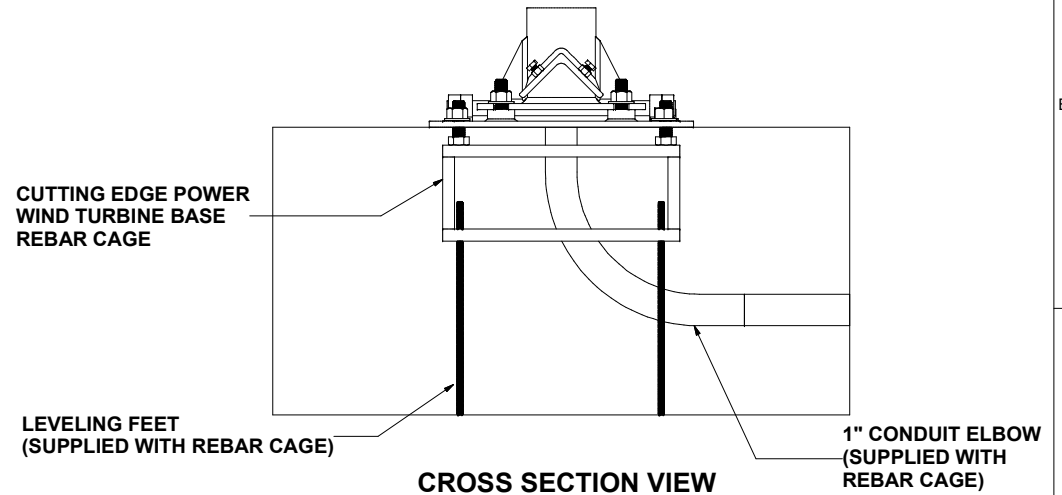
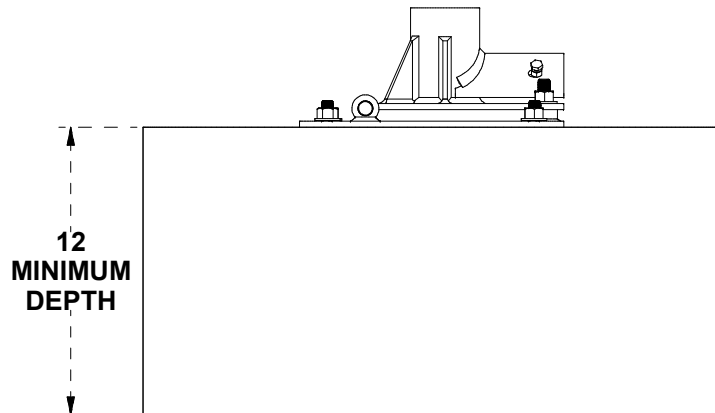
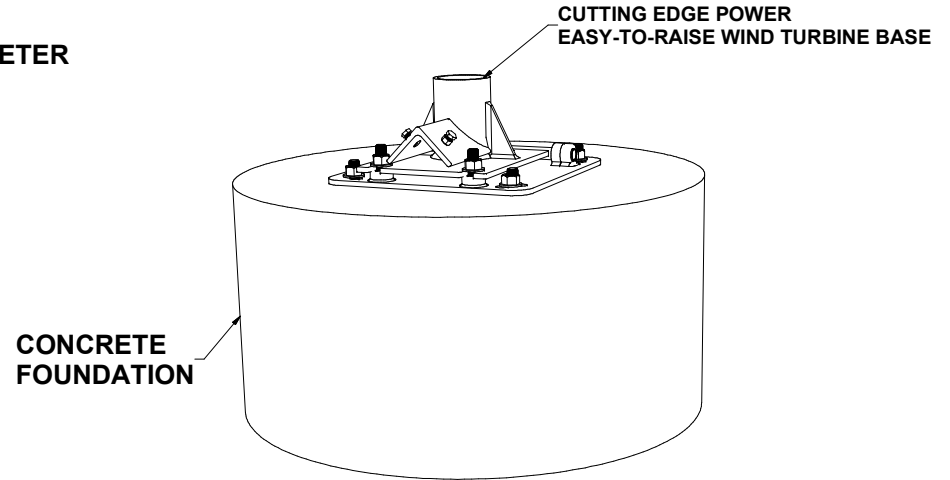
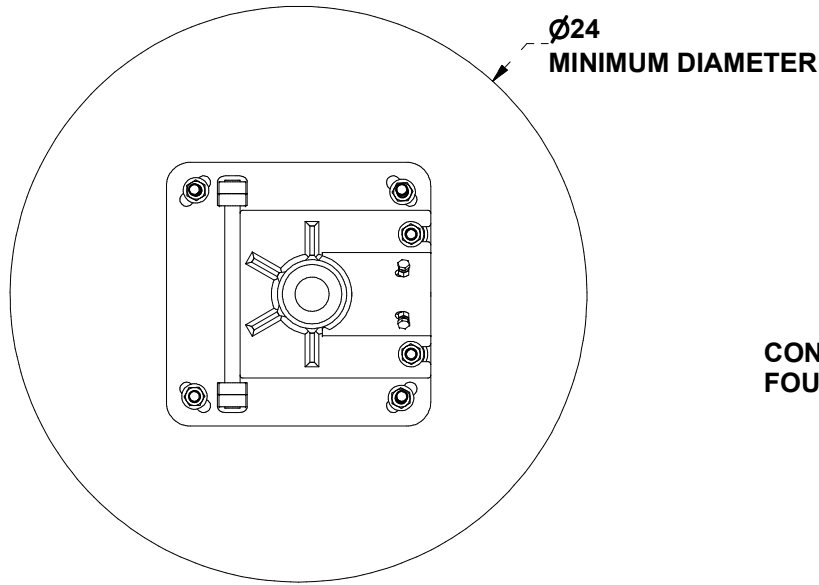


TYPICAL WIND TURBINE BASE DESIGN FOR 1-1/2" OR 2" PIPE, 10-20 FT TALL



- NOTES:
1. ALWAYS USE GUY WIRES.
 2. ALWAYS WEAR A HARD HAT WHEN RAISING A WIND TURBINE.
 3. INSTALL AN EARTH GROUND.
 4. MOST GROUND MOUNTED WIND TURBINES SHOULD BE AT LEAST 20 FT HIGH UNLESS YOU ARE IN A HIGH WIND ZONE.
 5. ADDITIONAL REBAR REINFORCEMENT SHOULD BE ADDED TO YOUR CONCRETE FOUNDATION.
 6. TOTAL WEIGHT OF CONCRETE FOR THIS DESIGN: 480 LBS (ABOUT (8) 60 LB BAGS).

ALL DIMENSIONS ARE IN INCHES UNLESS OTHERWISE NOTED.

	DWG. NO.:	SHEET 1 OF 1		
	W-RC-01A	REVISION:	DWG BY:	DWG DATE:
	DWG. DESCRIPTION.:	-	EYC	11/8/2015
	TYPICAL WIND TURBINE BASE INST.			