

4 3 2 1

D

TO WIND TURBINE
(3 PHASE AC)

TO RECTIFIER
(3 PHASE AC)



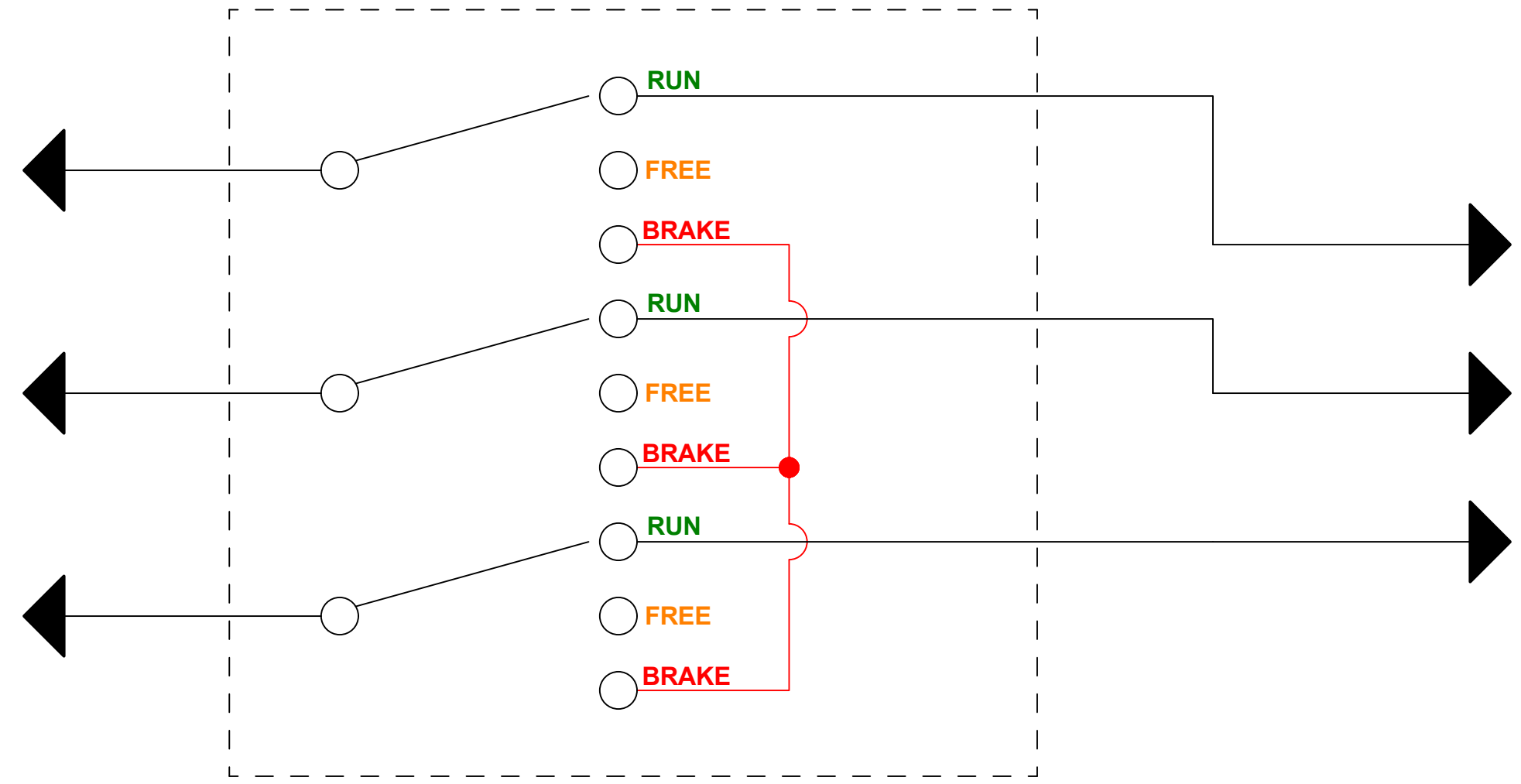
C

B

PRE-WIRED

TO WIND TURBINE
(3 PHASE AC)

TO RECTIFIER
(3 PHASE AC)



A



DWG. NO.: W-BSW-01-WD
 DWG. DESCRIPTION.: BRAKE SWITCH WIRING DIAGRAM

REVISION: -
 DWG BY: RJC
 DWG DATE: 11/5/2018

SHEET 1 OF 1

4 3 2 1