



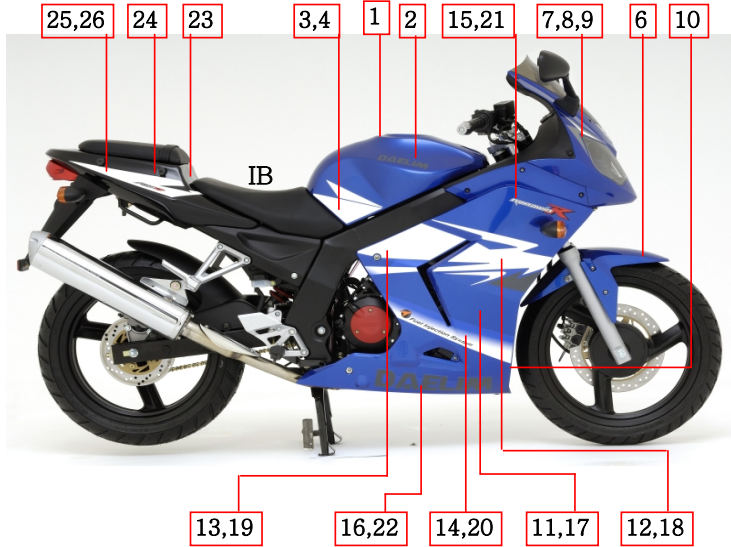
DAELIM

Kerawin R

WATER COOLING
ELECTRIC

Fuel Injection System

DAELIM



COLOR & STRIPE SET

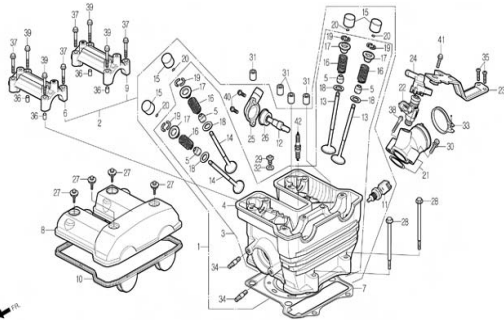
BA8A-RZ01_ROADWIN R_VJF125_EU3



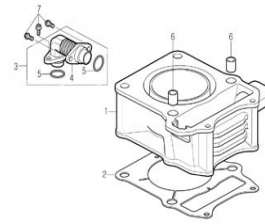
NO.	PART NAME	Q'TY	COMMON			
			IB(ITAL BLUE MET)	LR(LIGHT RED)	WP(WHITE PEARL)	GB(GRANITE BLUE)
1	COVER ASS'Y,TANK	1	1752A-BA8-RZ00-IB	1752A-BA8-RZ00-LR	1752A-BA8-RZ00-WP	1752A-BA8-RZ00-GB
2	MARK,FUEL TANK	2	17531-BA8-0000	17531-BA8-0000	17531-BA8-0000	17531-BA8-0000
3	STRIPE,RH.FUEL TANK	1	87125-BA8-0000-IB	87125-BA8-0000-LR	87125-BA8-0000-WP	87125-BA8-0000-GB
4	STRIPE,LH.FUEL TANK	1	87126-BA8-0000-IB	87126-BA8-0000-LR	87126-BA8-0000-WP	87126-BA8-0000-GB
5	MARK, DRIVE CAUTION	1				
6	FENDER,FR.	1	61100-BA8-0000-IB	61100-BA8-0000-LR	61100-BA8-0000-WP	61100-BA8-0000-GB
7	COWL ASS'Y, FRONT	1	6420A-BA8-RZ00-IB	6420A-BA8-RZ00-LR	6420A-BA8-RZ00-WP	6420A-BA8-RZ00-GB
8	STRIPE,RH.FR.COWL	1	87121-BA8-0000-IB	87121-BA8-0000-LR	87121-BA8-0000-WP	87121-BA8-0000-GB
9	STRIPE,LH.FR.COWL	1	87122-BA8-RZ00-IB	87122-BA8-RZ00-LR	87122-BA8-RZ00-WP	87122-BA8-RZ00-GB
10	COWL, CENTER	1	64303-BA8-0000-IB	64303-BA8-0000-LR	64303-BA8-0000-WP	64303-BA8-0000-GB
11	COWL ASS'Y,RH.SIDE	1	6430A-BA8-RZ00-IB	6430A-BA8-RZ00-LR	6430A-BA8-RZ00-WP	6430A-BA8-RZ00-GB
12	STRIPE B,RH.SIDE COWL	1	87171-BA8-0000-IB	87171-BA8-0000-LR	87171-BA8-0000-WP	87171-BA8-0000-GB
13	STRIPE C,RH.SIDE COWL	1	87173-BA8-0000-IB	87173-BA8-0000-LR	87173-BA8-0000-WP	87173-BA8-0000-GB
14	STRIPE D,RH.SIDE COWL	1	87175-BA8-0000-IB	87175-BA8-0000-LR	87175-BA8-0000-WP	87175-BA8-0000-GB
15	STRIPE A,SIDE COWL	1	87177-BA8-RZ00-IB	87177-BA8-RZ00-LR	87177-BA8-RZ00-WP	87177-BA8-RZ00-GB
16	STRIPE E,SIDE COWL	1	87179-BA8-0000-IB	87179-BA8-0000-LR	87179-BA8-0000-WP	87179-BA8-0000-GB
17	COWL ASS'Y,LH.SIDE	1	6430B-BA8-RZ00-IB	6430B-BA8-RZ00-LR	6430B-BA8-RZ00-WP	6430B-BA8-RZ00-GB
18	STRIPE B,LH.SIDE COWL	1	87172-BA8-0000-IB	87172-BA8-0000-LR	87172-BA8-0000-WP	87172-BA8-0000-GB
19	STRIPE C,LH.SIDE COWL	1	87174-BA8-0000-IB	87174-BA8-0000-LR	87174-BA8-0000-WP	87174-BA8-0000-GB
20	STRIPE D,LH.SIDE COWL	1	87176-BA8-0000-IB	87176-BA8-0000-LR	87176-BA8-0000-WP	87176-BA8-0000-GB
21	STRIPE A,SIDE COWL	1	87177-BA8-RZ00-IB	87177-BA8-RZ00-LR	87177-BA8-RZ00-WP	87177-BA8-RZ00-GB
22	STRIPE E,SIDE COWL	1	87179-BA8-0000-IB	87179-BA8-0000-LR	87179-BA8-0000-WP	87179-BA8-0000-GB
23	COVER,CENTER	1	80151-BA4-0000-IB	80151-BA4-0000-LR	80151-BA4-0000-WP	80151-BA4-0000-GB
24	COWL ASS'Y, REAR	1	8350A-BA8-RZ00-IB	8350A-BA8-RZ00-LR	8350A-BA8-RZ00-WP	8350A-BA8-RZ00-GB
25	STRIPE,RH.RR.COWL	1	87127-BA8-RZ00-IB	87127-BA8-RZ00-LR	87127-BA8-RZ00-WP	87127-BA8-RZ00-GB
26	STRIPE,LH.RR.COWL	1	87128-BA8-RZ00-IB	87128-BA8-RZ00-LR	87128-BA8-RZ00-WP	87128-BA8-RZ00-GB

ENGINE GROUP

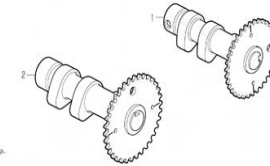
E-01 CYLINDER HEAD



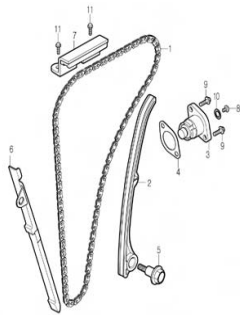
E-02 CYLINDER



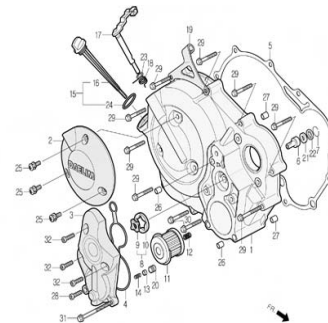
E-03 CAM SHAFT



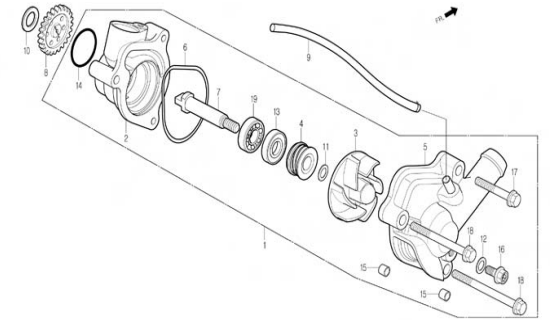
E-04 CAM CHAIN / TENSIONER



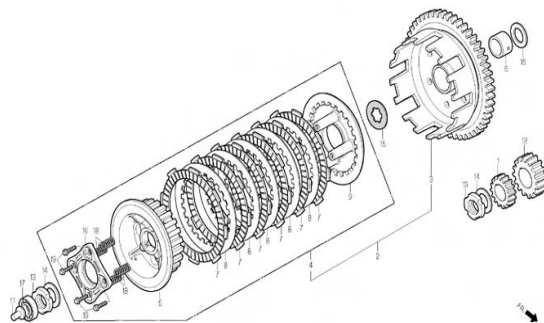
E-05 RIGHT CRANK CASE COVER



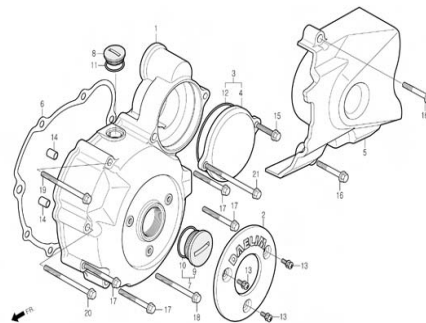
E-06 WATER PUMP



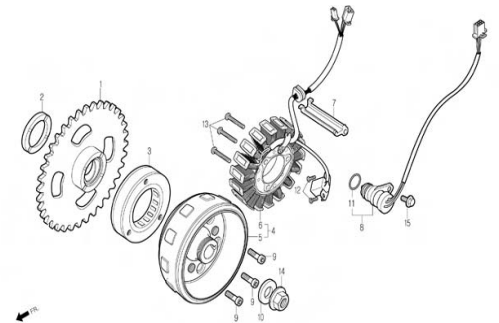
E-07 CLUTCH



E-08 LEFT CRANK CASE COVER

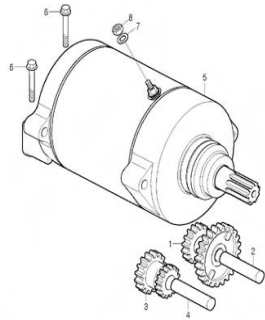


E-09 GENERATOR

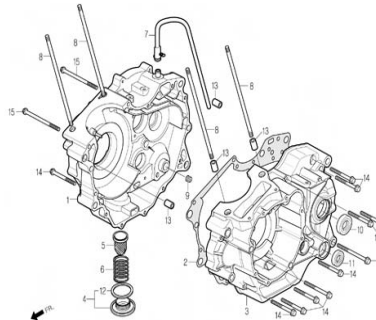


ENGINE GROUP

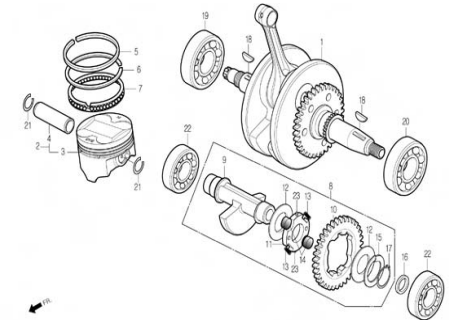
E-10 STARTER MOTOR



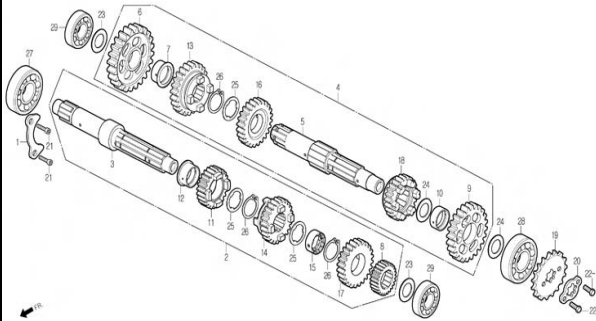
E-11 CRANK CASE



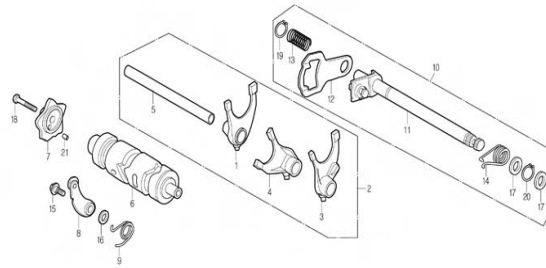
E-12 CRANK SHAFT / PISTON



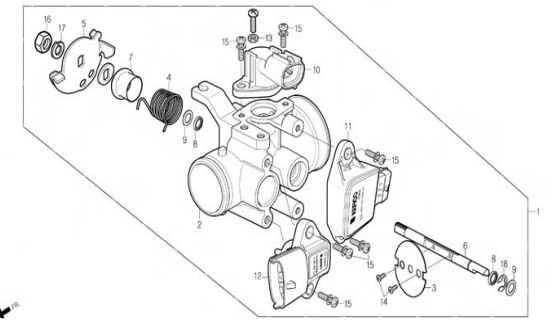
E-13 TRANSMISSION



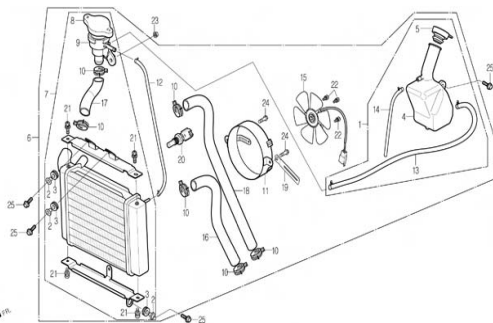
E-14 SHIFT DRUM / SHIFT FORK



E-15 THROTTLE BODY

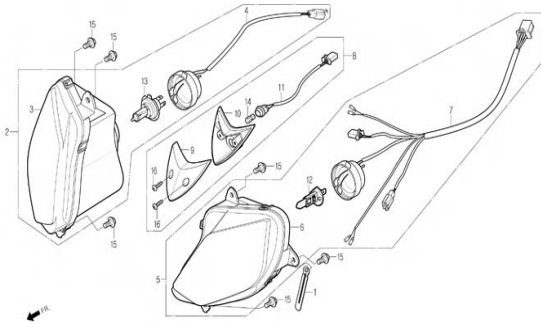


E-16 RADIATOR / RADIATOR HOSE

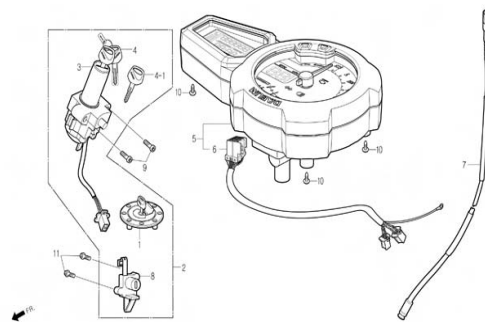


FRAME GROUP

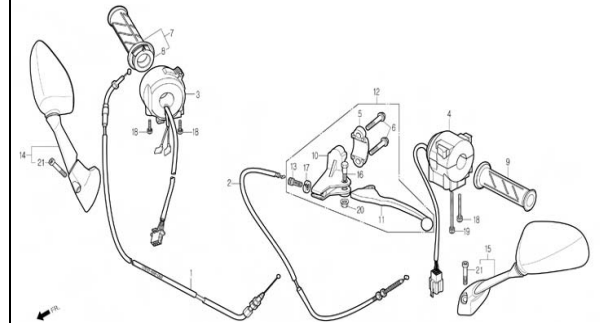
F-01 HEADLIGHT



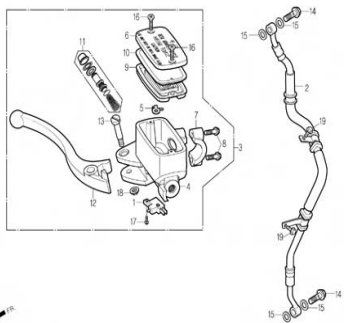
F-02 METER



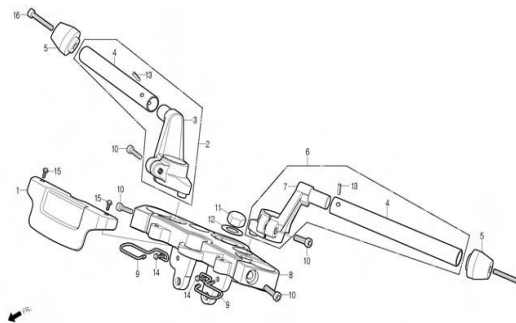
F-03 HANDLE LEVER / SWITCH / CABLE



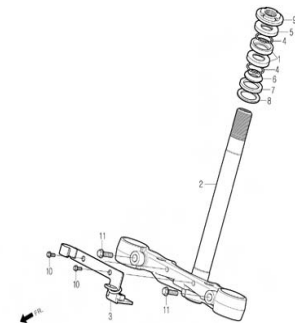
F-04 FRONT BRAKE MASTER CYLINDER



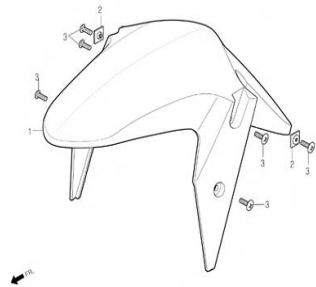
F-05 HANDLE PIPE / TOP BRIDGE



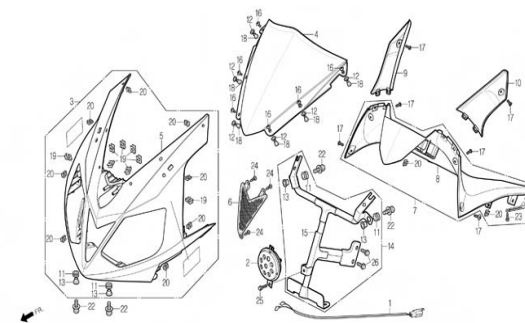
F-06 STEERING STEM



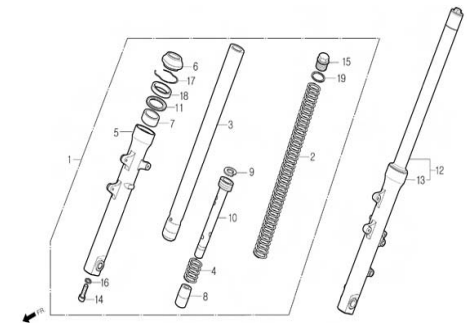
F-07 FRONT FENDER



F-08 FRONT COWL

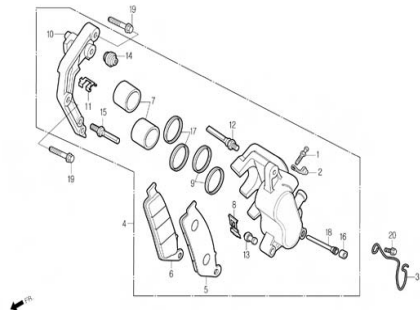


F-09 FRONT FORK

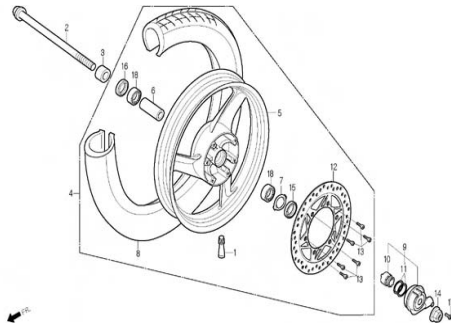


FRAME GROUP

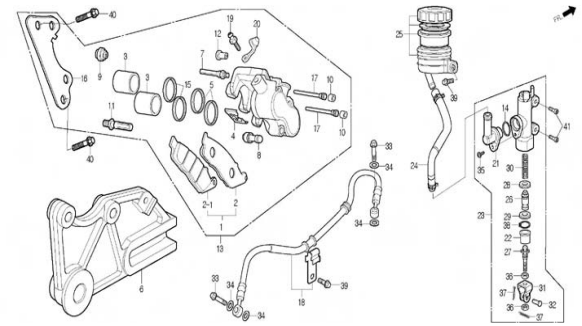
F-10 FRONT BRAKE CALIPER



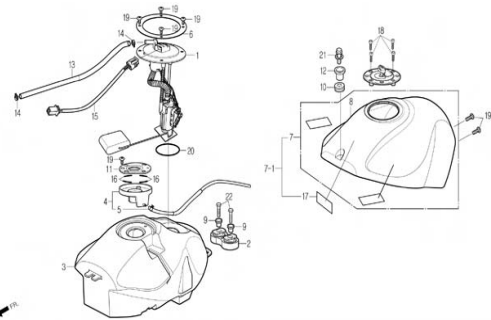
F-11 FRONT WHEEL



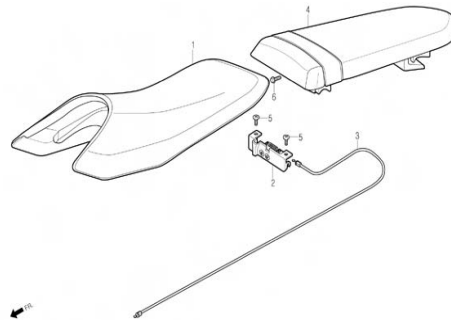
F-12 REAR BRAKE CALIPER



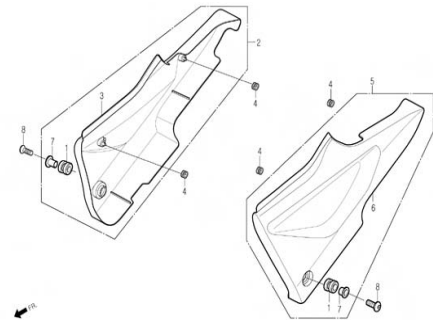
F-13 FUEL TANK



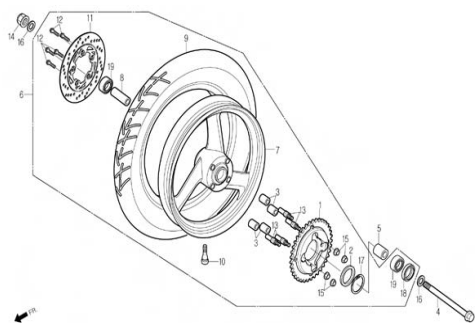
F-14 SEAT



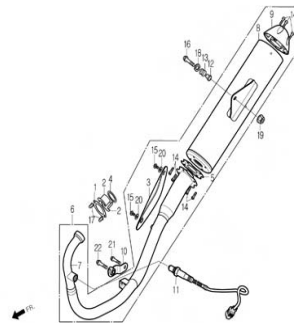
F-15 SIDE COVER



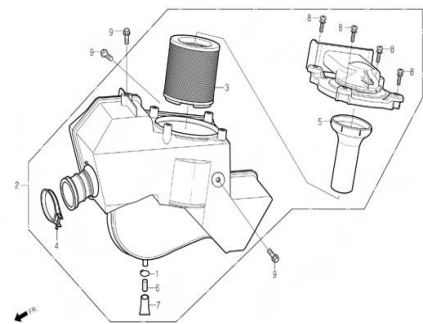
F-16 REAR WHEEL



F-17 EXHAUST MUFFLER



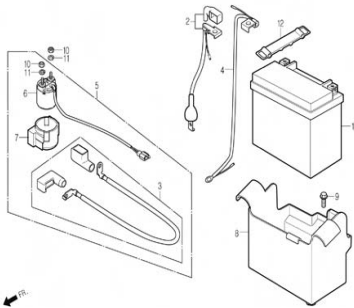
F-18 AIR CLEANER



FRAME GROUP

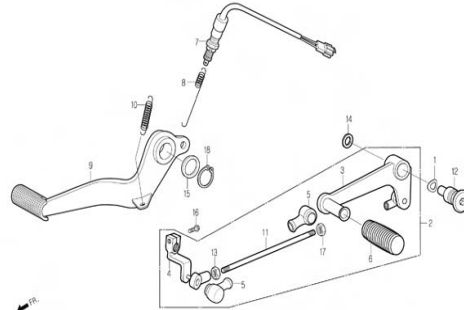
F-19

BATTERY



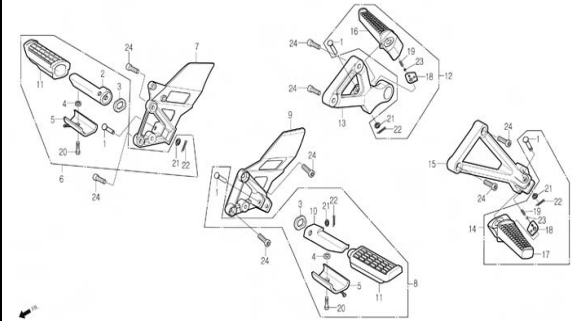
F-20

BRAKE / CHANGE PEDAL



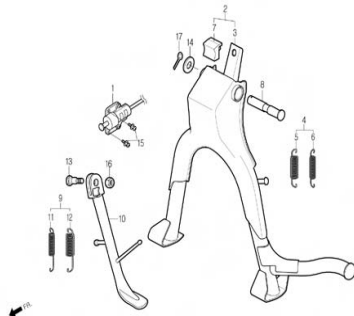
F-21

STEP



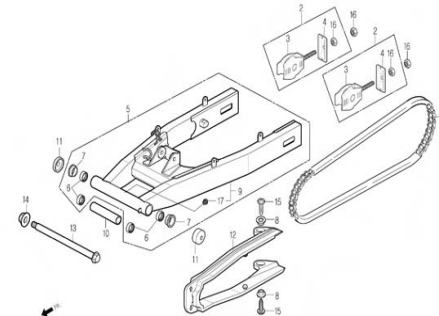
F-22

STAND



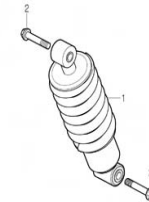
F-23

SWING ARM



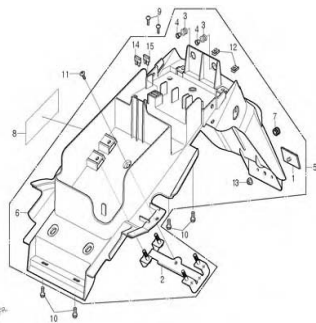
F-24

REAR CUSHION



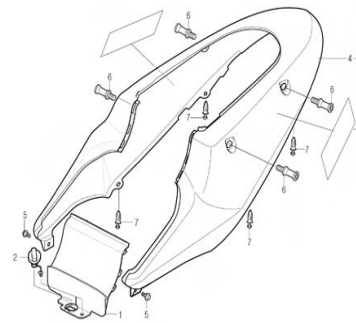
F-25

REAR FENDER



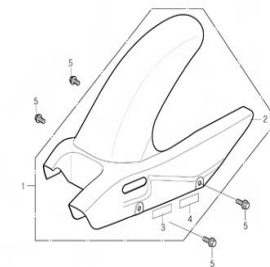
F-26

REAR COWL



F-27

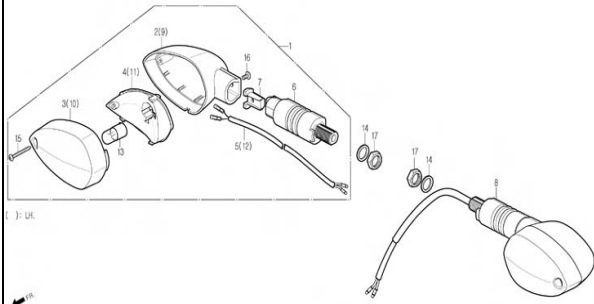
REAR WHEEL MUDGUARD



FRAME GROUP

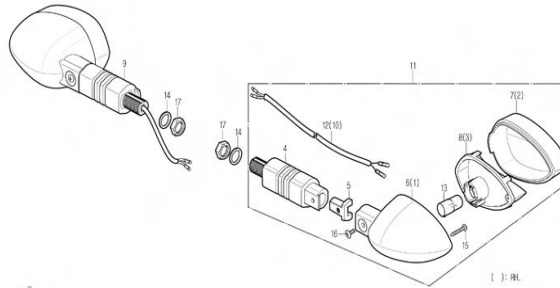
F-28

FRONT WINKER



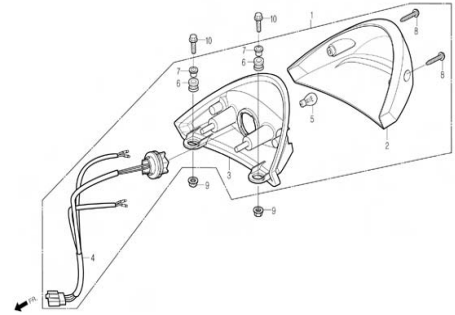
F-29

REAR WINKER



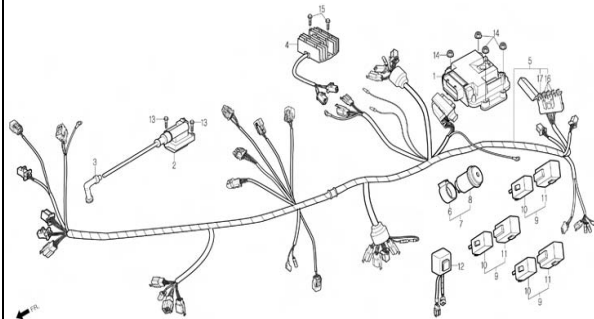
F-30

TAIL LIGHT



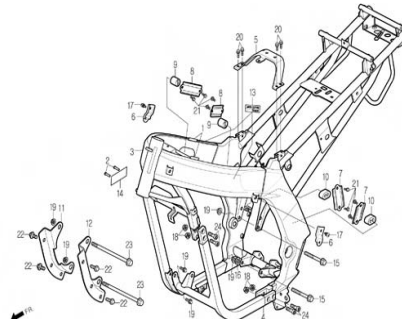
F-31

WIRE HARNESS



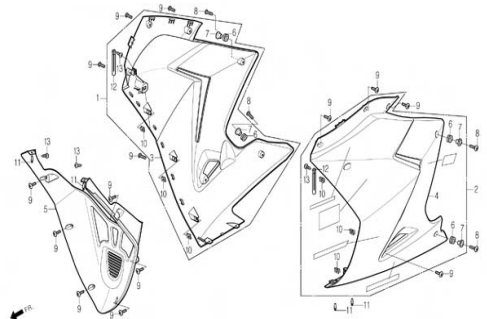
F-32

FRAME BODY



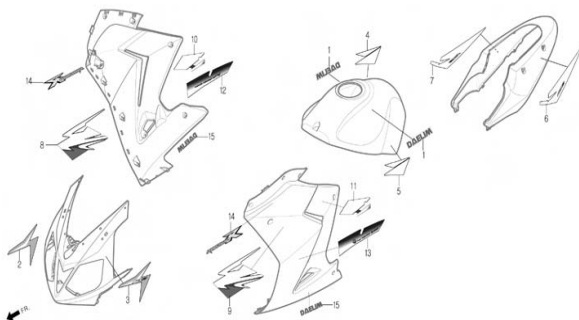
F-33

SIDE COWL



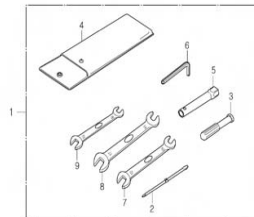
F-34

MARK



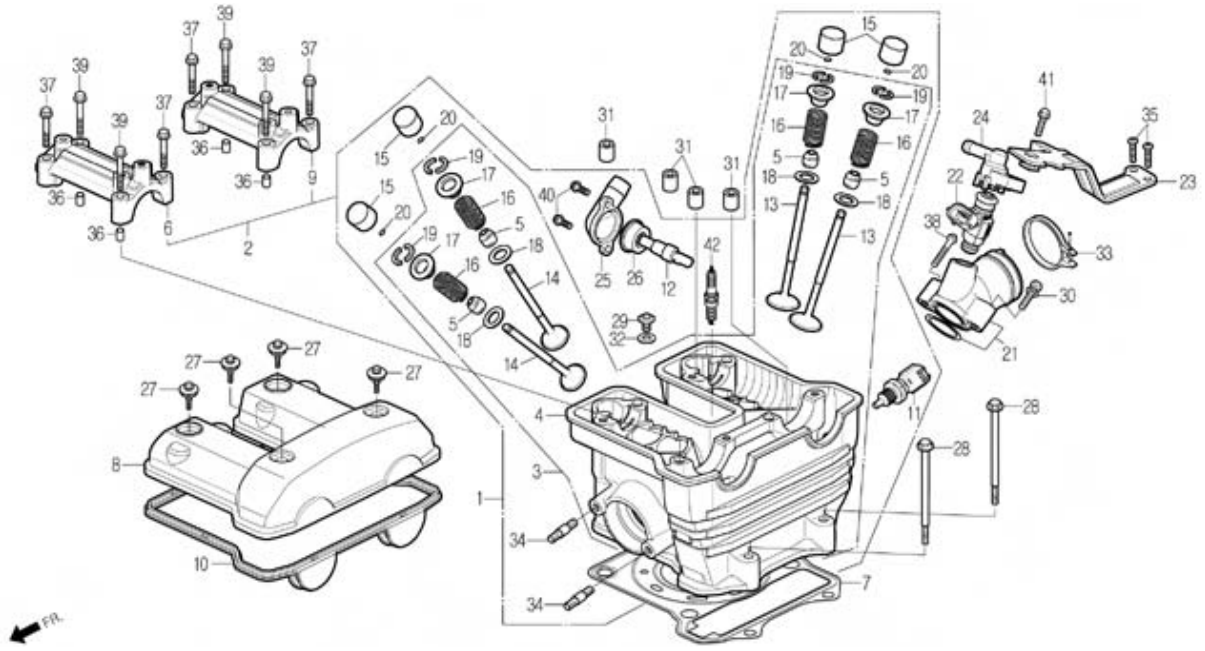
F-35

TOOL



E-01

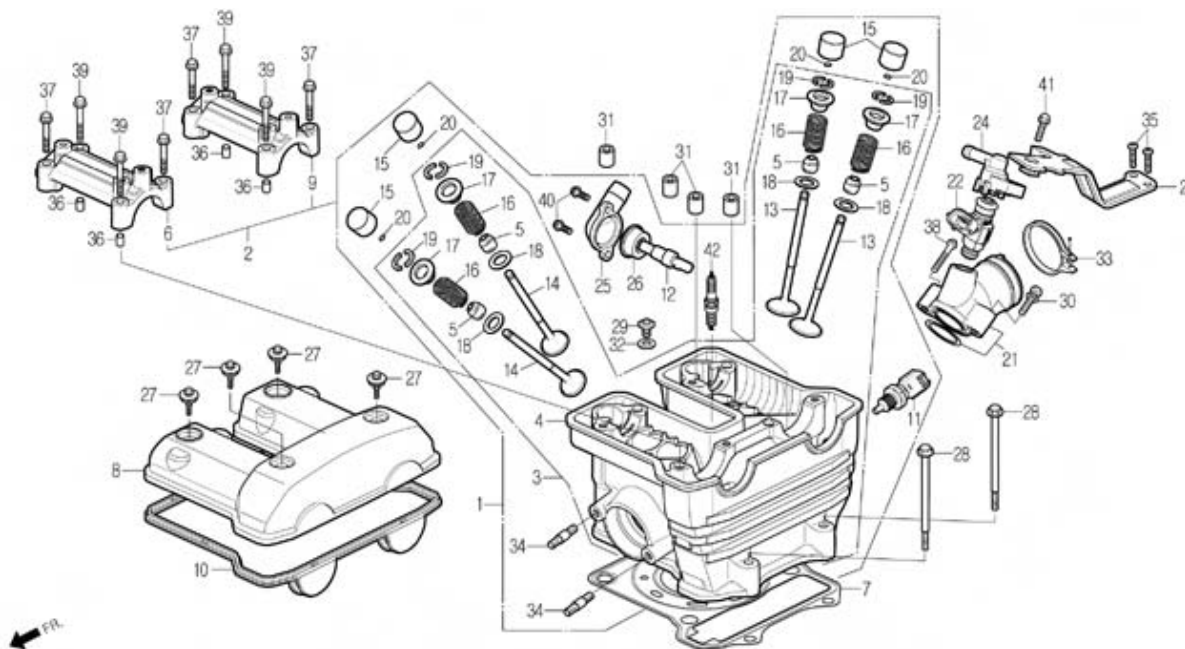
CYLINDER HEAD



Service item	FRT	Ref. No.	Part No.	Description	QTY	A/S	Exch	Start Date	Start FRM.No	End FRM.No
HEAD COMP., CYLINDER	3.9	1	1200A-BA8-0000	HEAD SUB ASS'Y, CYLINDER	1	N		20070425	KMYBA8BLS7C000001	
GASKET, CYLINDER HEAD	2.8	2	12000-BA8-0000	HEAD SET, CYLINDER	1	Y		20070425	KMYBA8BLS7C000001	
COVER, CYLINDER HEAD	0.3	3	1220A-BA8-0000	HEAD ASS'Y, CYLINDER	1	N		20070425	KMYBA8BLS7C000001	
GASKET, CYLINDER HEAD COVER	0.4	3	1220A-BA8-0000	HEAD ASS'Y, CYLINDER	1	N		20070425	KMYBA8BLS7C000001	
BOLT,STUD 6x35 (ADD 0.1 FOR EACH)	0.1	4	12200-BA8-0000	HEAD COMP., CYLINDER	1	N		20070425	KMYBA8BLS7C000001	
INSULATOR COMP., THROTTLE BODY PLUG, SPARK VALVE(ADD 0.2 FOR EACH) SPRING, VALVE(ADD 0.1 FOR EACH)	3.2	5	12209-BA6-0050	SEAL, VALVE STEM	4	Y		20070425	KMYBA8BLS7C000001	
		6	12211-BA8-0000	HOLDER, FR.CAM SHAFT	1	N	N	20070425	KMYBA8BLS7C000001	KMYBA8BLS7C001463
			12211-BA8-0010	HOLDER, FR.CAM SHAFT	1	N		20070615	KMYBA8BLS7C001464	
		7	12251-BA8-0000	GASKET, CYLINDER HEAD	1	Y		20070425	KMYBA8BLS7C000001	
		8	12301-BA8-0000	COVER, CYLINDER HEAD	1	Y	N	20070425	KMYBA8BLS7C000001	KMYBA8BLS7C001463
			12301-BA8-0010	COVER, CYLINDER HEAD	1	Y		20070615	KMYBA8BLS7C001464	
		9	12311-BA8-0000	HOLDER, RR.CAM SHAFT	1	N	N	20070425	KMYBA8BLS7C000001	KMYBA8BLS7C001463
			12311-BA8-0010	HOLDER, RR.CAM SHAFT	1	N		20070615	KMYBA8BLS7C001464	
		10	12313-BA8-0000	GASKET, CYLINDER HEAD COVER	1	N	Y	20070425	KMYBA8BLS7C000001	KMYBA8BLS7C001463
			12313-BA8-0010	GASKET, CYLINDER HEAD COVER	1	Y		20070615	KMYBA8BLS7C001464	
		11	12410-BA8-0000-M1	SENSOR, ENGINE TEMPERATURE	1	Y		20070425	KMYBA8BLS7C000001	
		12	12420-BA8-0000-M1	UNIT, WATER TEMPERATURE GAUGE	1	Y		20070425	KMYBA8BLS7C000001	
		13	14711-BA8-0000	VALVE, INLET	2	Y		20070425	KMYBA8BLS7C000001	
		14	14721-BA8-0000	VALVE, EXHAUST	2	Y		20070425	KMYBA8BLS7C000001	
		15	14731-BA8-0000-M1	LIFT, VALVE	4	Y		20070425	KMYBA8BLS7C000001	
		16	14751-BA6-9611-M1	SPRING, VALVE	4	Y	N	20070425	KMYBA8BLS7C000001	KMYBA8BLS7C000357
			14751-BA8-0000	SPRING, VALVE	4	Y		20070515	KMYBA8BLS7C000358	

E-01

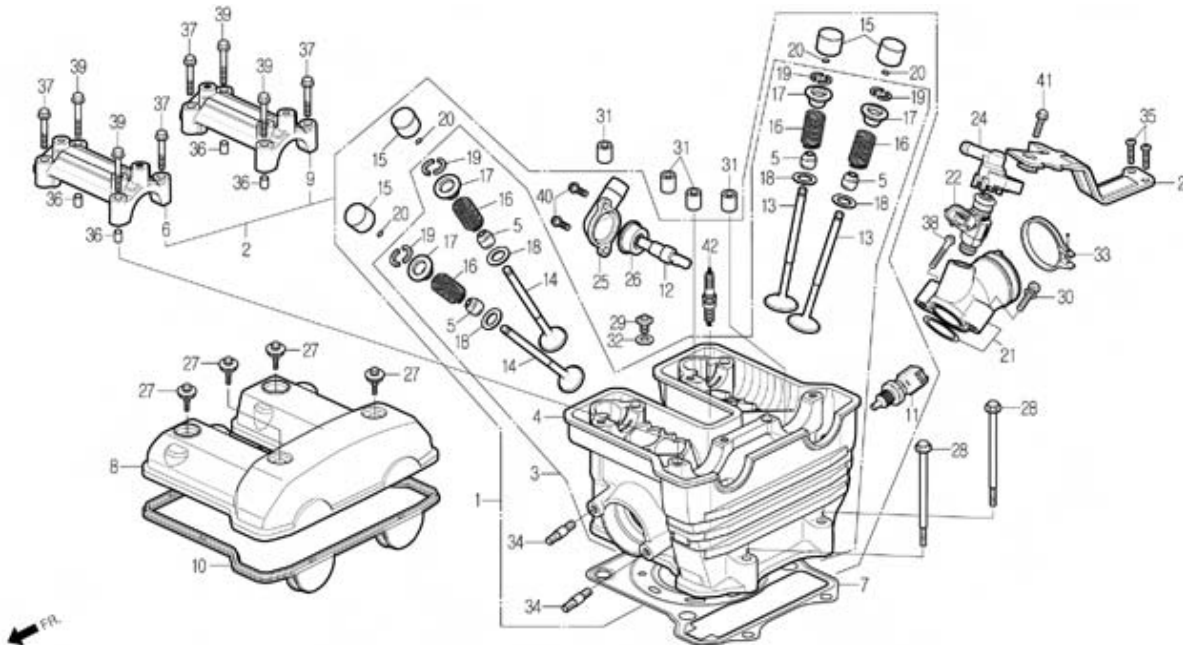
CYLINDER HEAD



Service item	FRT	Ref. No.	Part No.	Description	QTY	A/S	Exch	Start Date	Start FRM.No	End FRM.No
		17	14771-BA8-0000	RETAINER, VALVE SPRING	4	Y		20070425	KMYBA8BLS7C000001	
		18	14775-BA1-0000	SEAT, VALVE SPRING	4	Y		20070425	KMYBA8BLS7C000001	
		19	14781-BA6-0000	COTTER, VALVE	4	Y		20070425	KMYBA8BLS7C000001	
		20	1490A-BA8-0000	SHIM KIT (33 pcs)	1	Y		20070425	KMYBA8BLS7C000001	
		21	16210-BA8-0000	INSULATOR COMP., THROTTLE BODY	1	Y		20070425	KMYBA8BLS7C000001	
		22	16300-BA1-R300-M1	INJECTOR ASS'Y	1	Y		20070425	KMYBA8BLS7C000001	
		23	16310-BA8-0000	BRACKET COMP., INJECTOR	1	Y		20070425	KMYBA8BLS7C000001	
		24	16500-BA1-R310	CAP, INJECTOR	1	Y		20070425	KMYBA8BLS7C000001	
		25	19103-BA8-0000	CAP, THERMOSTAT	1	Y		20070425	KMYBA8BLS7C000001	
		26	19400-BA8-0000-M1	THERMOSTAT ASS'Y.	1	Y		20070425	KMYBA8BLS7C000001	
		27	9000A-BA8-0000	BOLT ASS'Y, SPECIAL, 6x24	4	Y		20070425	KMYBA8BLS7C000001	
		28	90005-SA0-0000	BOLT, FLANGE, SH.6x100	2	Y		20070425	KMYBA8BLS7C000001	
		29	90009-BA7-9000	BOLT, SOCKET, 10mm	1	Y		20070425	KMYBA8BLS7C000001	
		30	90086-SB1-0000-EU	BOLT, CARBURETOR INSULATOR 6x32	1	Y		20070425	KMYBA8BLS7C000001	
		31	90304-BA8-0000	NUT, SPECIAL 10mm	4	Y		20070425	KMYBA8BLS7C000001	
		32	90443-BA6-0000	WASHER, SEALING 10mm	1	Y		20070425	KMYBA8BLS7C000001	
		33	90652-BA6-6601	BAND 46, AIR CLEANER CONNECTING TUBE	1	Y		20070425	KMYBA8BLS7C000001	
		34	S2700-06035-3E	BOLT, STUD, 6x35	2	Y		20070425	KMYBA8BLS7C000001	
		35	S3892-05010-18	SCREW, WASHER, 5x10	2	Y		20070425	KMYBA8BLS7C000001	
		36	S4301-08120	PIN, DOWEL, 8x12	4	Y		20070425	KMYBA8BLS7C000001	
		37	S5701-06035-00	BOLT, FLANGE, 6x35	4	Y		20070425	KMYBA8BLS7C000001	

E-01

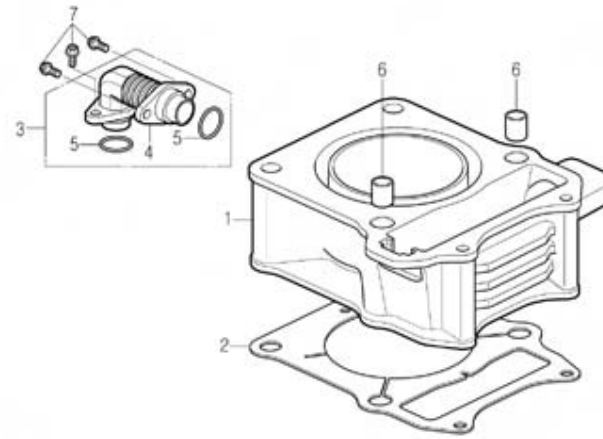
CYLINDER HEAD



Service item	FRT	Ref. No.	Part No.	Description	QTY	A/S	Exch	Start Date	Start FRM.No	End FRM.No
		38	S5701-06035-00	BOLT, FLANGE, 6x35	1	Y		20070425	KMYBA8BLS7C000001	
		39	S5701-06040-00	BOLT, FLANGE, 6x40	4	Y		20070425	KMYBA8BLS7C000001	
		40	S6001-06018-00	BOLT, FLANGE, SH.6x18	2	Y		20070425	KMYBA8BLS7C000001	
		41	S6001-06020-00	BOLT, FLANGE, SH.6x20	1	Y		20070425	KMYBA8BLS7C000001	
		42	S8059-59936-00	PLUG, SPARK	1	Y		20070425	KMYBA8BLS7C000001	

E-02

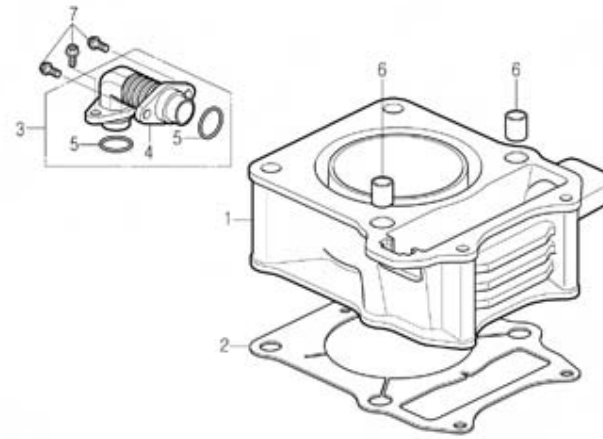
1/2 CYLINDER



Service item	FRT	Ref. No.	Part No.	Description	Unit	QTY	EX AS	Start Date	End Date	Start FRM.No	End FRM.No
CYLINDER COMP. GASKET, CYLINDER	3.2	1	12100-BA8-0000	CYLINDER COMP.	1/2 C. ° 6 APÇÁ	1	Y	20070425		KMYBA8BLS7C000001	
	3.1	2	12191-BA8-RZ00	GASKET, CYLINDER	1/2 C. ° 6 ° 1/2 AI	1	Y	20070425		KMYBA8BLS7C000001	
		3	19060-BA8-0000	PIPE ASS'Y, WATER PUMP	çðÁÍ ÆBÇÁ ÆÄÄÍÇÁ 3/4N°4/4AI	1	Y	20070425		KMYBA8BLS7C000001	
		4	19061-BA8-0000	PIPE, WATER PUMP	çðÁÍ ÆBÇÁ ÆÄÄÍÇÁ	1	N	20070425		KMYBA8BLS7C000001	
		5	91312-BA8-0000	O-RING 17x3	çÄ-,µ 17x3	2	Y	20070425		KMYBA8BLS7C000001	
		6	S4301-12160	PIN, DOWEL, 12x16	Üçìç ÇÉ 12x16	2	Y	20070425		KMYBA8BLS7C000001	
		7	S6001-06018-00	BOLT, FLANGE, SH.6x18	ÈÄ»Äö °4Æ@ SH 6x18	3	Y	20070425		KMYBA8BLS7C000001	

E-02

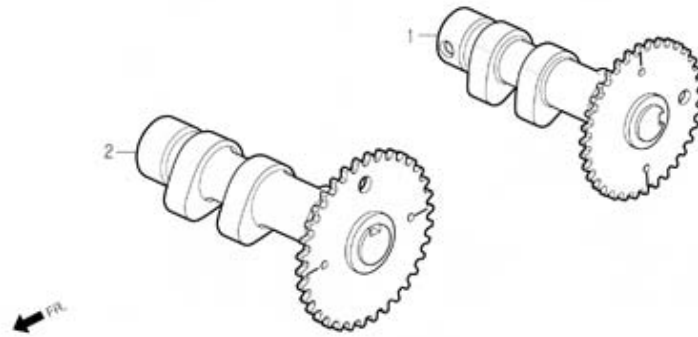
½Ç, °õ CYLINDER



Á«ñÇ×, ñ Service item	FRT	Ref. No.	Part No.	Description	°í Ç° í	QTY AS	EX	Start Date	End Date	Start FRM.No	End FRM.No
CYLINDER COMP. GASKET, CYLINDER	3.2	1	12100-BA8-0000	CYLINDER COMP.	½Ç, °õ ÁÞÇÁ	1	Y	20070425		KMYBA8BLS7C000001	
	3.1	2	12191-BA8-RZ00	GASKET, CYLINDER	½Ç, °õ °½°ÁĪ	1	Y	20070425		KMYBA8BLS7C000001	
		3	19060-BA8-0000	PIPE ASS'Y, WATER PUMP	çðÁĪ ÆBÇÁ ÆÄÄĪÇÁ ¾Ñ¼¼ÄĪ	1	Y	20070425		KMYBA8BLS7C000001	
		4	19061-BA8-0000	PIPE, WATER PUMP	çðÁĪ ÆBÇÁ ÆÄÄĪÇÁ	1	N	20070425		KMYBA8BLS7C000001	
		5	91312-BA8-0000	O-RING 17x3	çÄ-, µ 17x3	2	Y	20070425		KMYBA8BLS7C000001	
		6	S4301-12160	PIN, DOWEL, 12x16	Ūçìçµ ÇÉ 12x16	2	Y	20070425		KMYBA8BLS7C000001	
		7	S6001-06018-00	BOLT, FLANGE, SH.6x18	ÈÁ»Áõ °¼Æ@ SH 6x18	3	Y	20070425		KMYBA8BLS7C000001	

E-03

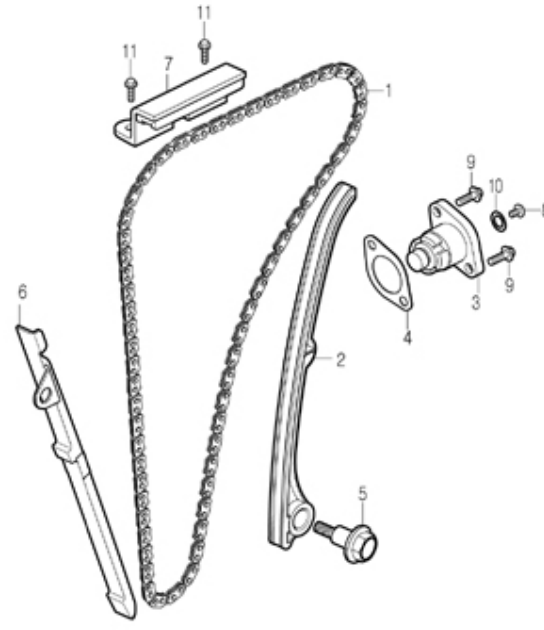
CAM SHAFT



Service item	FRT	Ref. No.	Part No.	Description	QTY	A/S	Exch	Start Date	Start FRM.No	End FRM.No
HOLDER, CAM SHAFT SHAFT, CAM (ADD 0.3 FOR EACH)	1.4	1	14100-BA8-0000	SHAFT COMP., INLET CAM	1	Y		20070425	KMYBA8BLS7C000001	
	1.2	2	14200-BA8-0000	SHAFT COMP., EXHAUST CAM	1	Y		20070425	KMYBA8BLS7C000001	

E-04

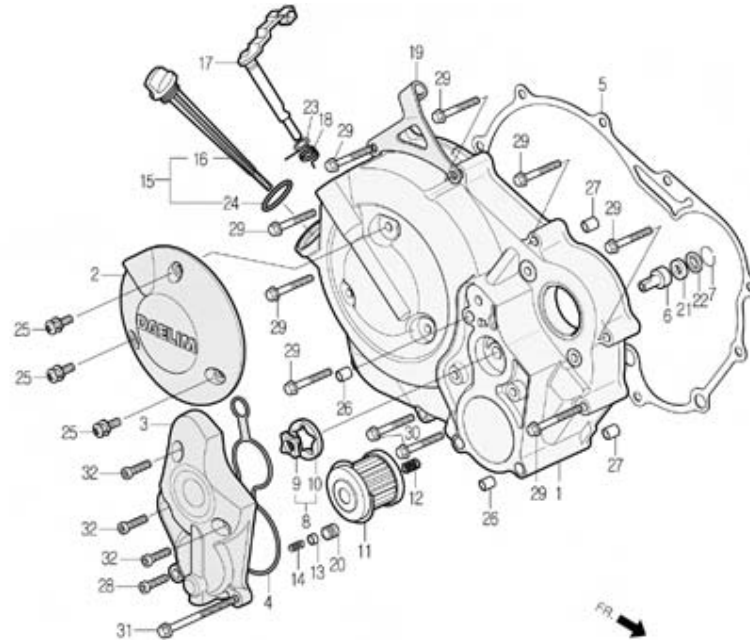
Ä· »pÇÁÆ® / ÄÛ¼Ä³Ê CAM CHAIN / TENSIONER



Ä«ñÇ×ñ Service item	FRT	Ref. No.	Part No.	Description	ñ Ç° ï	QTY AS	EX	Start Date	End Date	Start FRM.No	End FRM.No
CHAIN, CAM	1.6	1	14401-BA8-0000	CHAIN, CAM	Ä· Ä¼ÄÏ	1	Y	20070425		KMYBA8BLS7C000001	
ARM COMP., CAM CHAIN TENSIONER	0.6	2	14500-BA8-0000	ARM COMP., CAM CHAIN TENSIONER	Ä· Ä¼ÄÏ ÄÛ¼Ä³Ê ¾ï ÄpÇÁ	1	Y	20070425		KMYBA8BLS7C000001	
LIFTER ASS'Y, TENSIONER	0.4	3	14520-BA1-0000	LIFTER ASS'Y, TENSIONER	ÄÛ¼Ä³Ê @ÇÄÄÏ ¾N¼¼ÄÏ	1	Y	20070425		KMYBA8BLS7C000001	
GUIDE, CAM CHAIN	2.7	4	14523-BA7-0000-EU	GASKET, TENSIONER LIFTER	ÄÛ¼Ä³Ê @ÇÄÄÏ °¼²ÄÏ	1	Y	20070425		KMYBA8BLS7C000001	
		5	14531-BA8-0000	PIVOT, CAM CHAIN TENSIONER	Ä· Ä¼ÄÏ ÄÛ¼Ä³Ê ÇÇ°;	1	Y	20070425		KMYBA8BLS7C000001	
		6	14550-BA8-0000	GUIDE, CAM CHAIN	Ä· Ä¼ÄÏ °;ÄÏä	1	Y	20070425		KMYBA8BLS7C000001	
		7	14560-BA8-0000	GUIDE B, CAM CHAIN	Ä· Ä¼ÄÏ °;ÄÏä B	1	Y	20070425		KMYBA8BLS7C000001	
		8	90005-BA7-9000	SCREW, PAN, 6x6	ÆÖ ½²Ä@-ù 6x6	1	Y	20070425		KMYBA8BLS7C000001	
		9	90091-BA7-0000	BOLT, FLANGE, 6x16	ËÄ»Äö ¼ÄÆ® 6x16	2	Y	20070425		KMYBA8BLS7C000001	
		10	91306-BA6-6900	O-RING, 1.5x9.5	¿Ä-µ 1.5x9.5	1	Y	20070425		KMYBA8BLS7C000001	
		11	S5701-06016-00	BOLT, FLANGE, 6x16	ËÄ»Äö ¼ÄÆ® 6x16	2	Y	20070425		KMYBA8BLS7C000001	

E-05

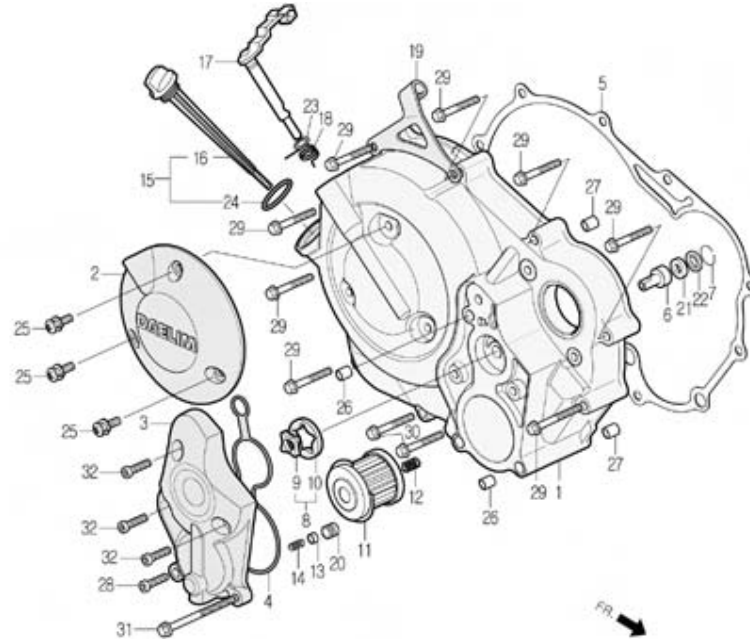
RIGHT CRANK CASE COVER



Service item	FRT	Ref. No.	Part No.	Description	QTY	EX AS	Start Date	End Date	Start FRM.No	End FRM.No
COVER COMP., RH.CRANK CASE	0.9	1	11330-BA8-0000	COVER COMP., RH.CRANK CASE	1	Y	20070425		KMYBA8BLS7C000001	
COVER COMP., OIL FILTER	0.4	2	11332-BA8-0000	COVER, RH.CRANK CASE COVER	1	Y	20070425		KMYBA8BLS7C000001	
ELEMENT, OIL FILTER	0.6	3	11333-BA8-0000	COVER COMP., OIL FILTER	1	Y	20070425		KMYBA8BLS7C000001	
GASKET, RH.COVER	0.7	4	11335-BA8-0000	SEAL, OIL FILTER	1	Y	20070425		KMYBA8BLS7C000001	
LEVER COMP., CLUTCH (INCLUDE RELATIVE PARTS)		5	11393-BA8-RZ00	GASKET, RH.CRANK CASE COVER	1	Y	20070425		KMYBA8BLS7C000001	
		6	15132-BA8-0000	SHAFT, OIL PUMP	1	Y	20070425		KMYBA8BLS7C000001	
		7	15133-BA6-9600	RING, SET	1	Y	20070425		KMYBA8BLS7C000001	
		8	1533A-BA8-0000	ROTOR ASS'Y, OIL PUMP	1	Y	20070425		KMYBA8BLS7C000001	
		9	15331-BA8-0000	ROTOR, INNER OIL PUMP	1	N	20070425		KMYBA8BLS7C000001	
		10	15332-BA8-0000	ROTOR, OUTER OIL PUMP	1	N	20070425		KMYBA8BLS7C000001	
		11	15412-BA8-0000	ELEMENT, OIL FILTER	1	Y	20070425		KMYBA8BLS7C000001	
		12	15414-BA6-9600	SPRING, OIL FILTER	1	Y	20070425		KMYBA8BLS7C000001	
		13	15415-BA6-9611	VALVE, RELIEF	1	Y	20070425		KMYBA8BLS7C000001	
		14	15416-BA6-9601	SPRING, RELIEF VALVE	1	Y	20070425		KMYBA8BLS7C000001	
		15	1565A-BA6-9110	GUAGE ASS'Y, OIL LEVEL	1	Y	20070425		KMYBA8BLS7C000001	
		16	15650-BA6-9100	GAUGE, OIL LEVEL	1	N	20070425		KMYBA8BLS7C000001	
		17	22810-BA8-0000	LEVER COMP., CLUTCH	1	Y	20070425		KMYBA8BLS7C000001	
		18	22815-BA6-7000	SPRING, CLUTCH LEVER	1	Y	20070425		KMYBA8BLS7C000001	
		19	22838-BA8-0000	HOLDER, CLUTCH WIRE	1	Y	20070425		KMYBA8BLS7C000001	
		20	90009-BA8-0000	BOLT, SOCKET, 10mm	1	Y	20070425		KMYBA8BLS7C000001	
		21	90466-BA6-9601	WASHER, 14mm	1	Y	20070425		KMYBA8BLS7C000001	

E-05

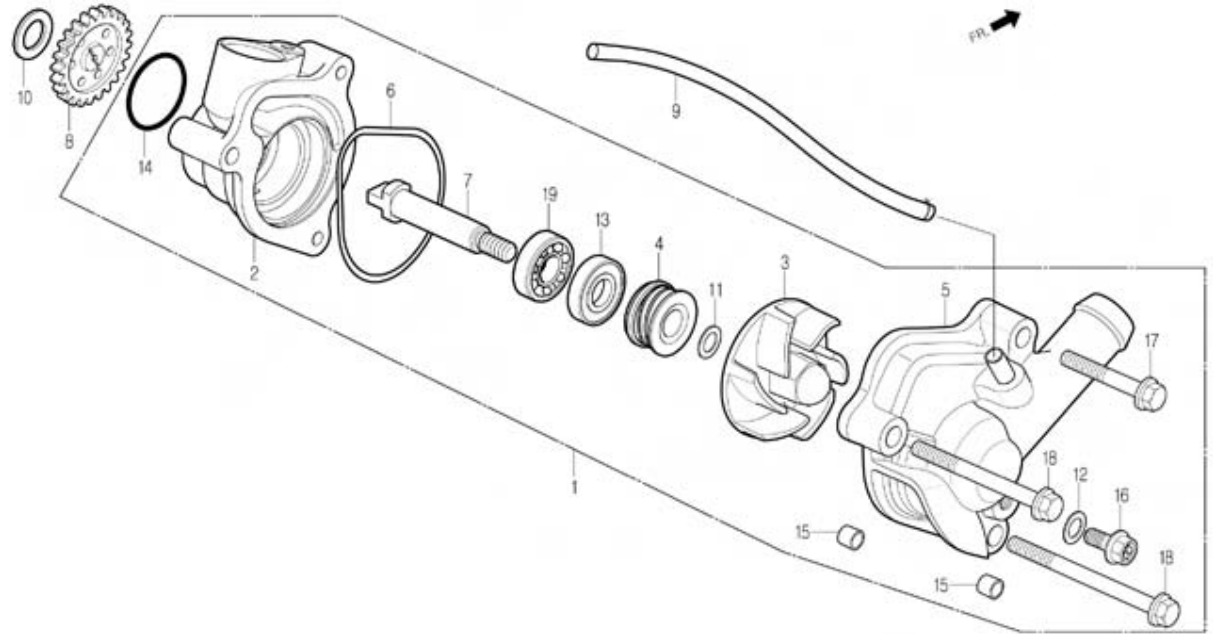
RIGHT CRANK CASE COVER



Service item	FRT	Ref. No.	Part No.	Description	Unit	QTY AS	EX	Start Date	End Date	Start FRM.No	End FRM.No
		22	91203-BA6-0030	SEAL, OIL 14x22x5	1/2" x 1" x 5/16"	1	Y	20070425		KMYBA8BLS7C000001	
		23	91303-BA6-1000	O-RING, 9mm	3/8" ID x 9mm	1	Y	20070425		KMYBA8BLS7C000001	
		24	91307-CB2-0010	O-RING, 18x3	3/8" ID x 3mm	1	N	20070425		KMYBA8BLS7C000001	
		25	S3892-05010-18	SCREW, WASHER, 5x10	5/16" x 1" x 10mm	3	Y	20070425		KMYBA8BLS7C000001	
		26	S4301-08120	PIN, DOWEL, 8x12	8x12mm	2	Y	20070425		KMYBA8BLS7C000001	
		27	S4301-10160	PIN, DOWEL, 10x16	10x16mm	2	Y	20070425		KMYBA8BLS7C000001	
		28	S6001-06028-00	BOLT, FLANGE, SH.6x28	6x28mm SH	1	Y	20070425		KMYBA8BLS7C000001	
		29	S6001-06040-00	BOLT, FLANGE, SH.6x40	6x40mm SH	8	Y	20070425		KMYBA8BLS7C000001	
		30	S6001-06050-00	BOLT, FLANGE, SH.6x50	6x50mm SH	2	Y	20070425		KMYBA8BLS7C000001	
		31	S6001-06095-00	BOLT, FLANGE, SH.6x95	6x95mm SH	1	Y	20070425		KMYBA8BLS7C000001	
		32	S6700-06022-10	BOLT, SOCKET, 6x22	6x22mm	3	Y	20070425		KMYBA8BLS7C000001	

E-06

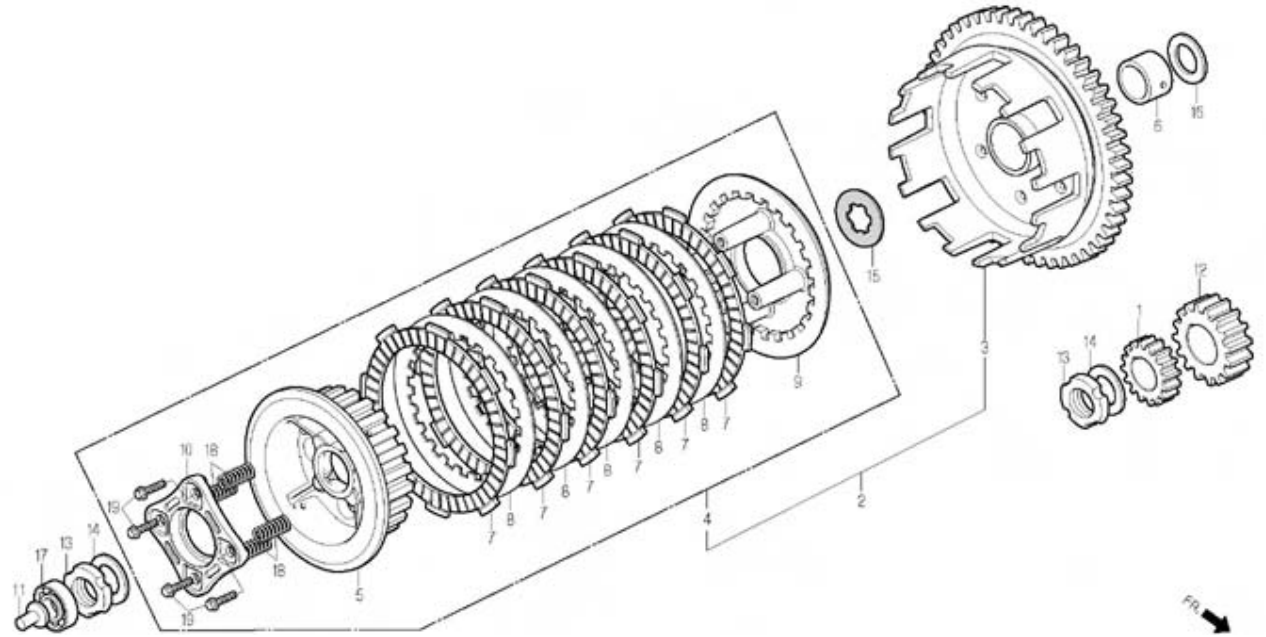
ζοΆÍÆΒÇÁ WATER PUMP



ÁπñÇ×ñ Service item	FRT	Ref. No.	Part No.	Description	ΐ Ç° í	QTY AS	EX	Start Date	End Date	Start FRM.No	End FRM.No	
PUMP ASS'Y, WATER (INCLUDE RELATIVE PARTS)	0.6	1	19200-BA8-0000	PUMP ASS'Y, WATER	ζοΆÍÆΒÇÁ ¾Ñ¼¼ÁÍ	1	Y	20070425		KMYBA8BLS7C000001		
		2	19210-BA8-0000	BADY, WATER PUMP	ζοΆÍÆΒÇÁ ¼Ùμð	1	N	20070425		KMYBA8BLS7C000001		
		3	19215-BA8-0000	IMPELLER, WATER PUMP	ζοΆÍÆΒÇÁ ÁÓÆÇ-	1	Y	20070425		KMYBA8BLS7C000001		
		4	19217-BA8-0000	SEAL, MECHANICAL	¼ÁÉ ¼ÁÁ ½ÁÁÍ	1	Y	20070425		KMYBA8BLS7C000001		
		5	19220-BA8-0000	COVER COMP., WHTER PUMP	ζοΆÍÆΒÇÁ Á¿½ ÆΒÇÁ	1	Y	20070425		KMYBA8BLS7C000001		
			6	19226-BA8-0000	SEAL, WATER PUMP COVER	ζοΆÍÆΒÇÁ Á¿½ ½ÁÁÍ	1	Y	20070425		KMYBA8BLS7C000001	
			7	19241-BA8-0000	SHAFT, WATER PUMP	ζοΆÍÆΒÇÁ »βÇÁÆ@	1	Y	20070425		KMYBA8BLS7C000001	
			8	19242-BA8-0000	GEAR, WATER PUMP DRIVEN	ζοΆÍÆΒÇÁ μá. @¾ ±á¾¼	1	Y	20070425		KMYBA8BLS7C000001	
			9	19521-BA8-0000	TUBE, WATER PUMP	ζοΆÍÆΒÇÁ Æ@¾è	1	Y	20070425		KMYBA8BLS7C000001	
			10	90412-BA6-0000	WASHER, THRUST 10mm	½º-½ºÆ@ ¿¼¼Á 10mm	1	Y	20070425		KMYBA8BLS7C000001	
			11	90423-BA8-0000	WASHER. 7.5x13x1.2	¿¼¼Á 7.5x13x1.2	1	Y	20070425		KMYBA8BLS7C000001	
			12	90461-BA6-1000	WASHER, SEALING 12mm	½ÁÁÍ,μ ¿¼¼- 12mm	1	Y	20070425		KMYBA8BLS7C000001	
			13	91208-BA6-6710-M1	SEAL, OIL 11.6x24x10	¿ÁÁÍ ½ÁÁÍ 11.6x24x10	1	Y	20070425		KMYBA8BLS7C000001	
			14	91309-BA8-0000	O-RING, 30.5x3.0	¿Á,μ 30.5x3.0	1	Y	20070425		KMYBA8BLS7C000001	
			15	S4301-08120	PIN, DOWEL, 8x12	¼¿¿μ ÇÉ 8x12	2	Y	20070425		KMYBA8BLS7C000001	
			16	S5701-06010-08	BOLT, FLANGE, 6x10	ÈÁ»Áó ¾¼Æ@ 6x10	1	Y	20070425		KMYBA8BLS7C000001	
			17	S6001-06035-00	BOLT, FLANGE, SH.6x35	ÈÁ»Áó ¾¼Æ@ SH 6x35	1	Y	20070425		KMYBA8BLS7C000001	
			18	S6001-06055-00	BOLT, FLANGE, SH.6x55	ÈÁ»Áó ¾¼Æ@ SH 6x55	2	Y	20070425		KMYBA8BLS7C000001	
			19	S6100-60010-00	BEARING, RADIAL BALL 6001	¼μð¾ó ¾¼ ¾É¾¼,μ 6001	1	Y	20070425		KMYBA8BLS7C000001	

E-07

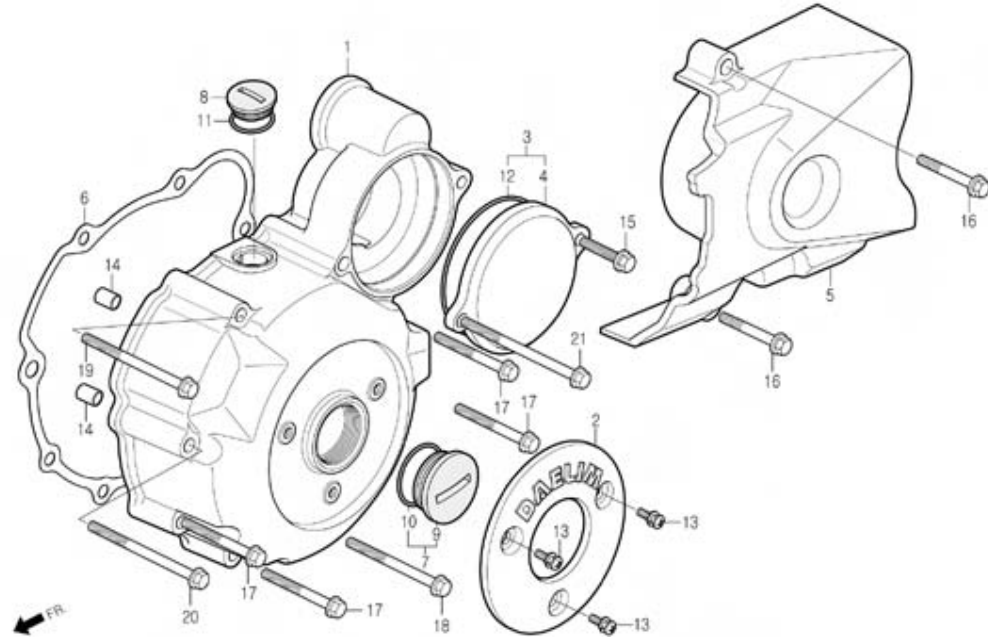
Á-~Ä; CLUTCH



Á-~Ä; ÑÇ×, ñ Service item	FRT	Ref. No.	Part No.	Description	°í Ç° í	QTY AS	EX	Start Date	End Date	Start FRM.No	End FRM.No
OUTER COMP., CLUTCH	0.9	1	19243-BA8-0000	GEAR, WATER PUMP DRIVE	çðÁÍ ÆBÇÁ µá¶óÀÍ° ±á³áí	1	Y	20070425		KMYBA8BLS7C000001	
CENTER, CLUTCH	0.7	2	2210A-BA8-0000	CLUTCH ASS'Y	Á-~Ä; ¾Ñ¼¼ÄÄÍ	1	Y	20070425		KMYBA8BLS7C000001	
DISK, CLUTCH FRICTION		3	22100-BA8-0000	OUTER COMP., CLUTCH	Á-~Ä; ¾Æ; ðÁÍ ÄBÇÁ	1	Y	20070425		KMYBA8BLS7C000001	
PLATE, CLUTCH PRESSURE		4	2212A-BA1-0000	INNER ASSY, CLUTCH	Á-~Ä; ÄÍÈ ¾Ñ¼¼ÄÄÍ	1	Y	20070425		KMYBA8BLS7C000001	
PLATE, CLUTCH LIFTER		5	22121-BA1-0000	CENTER, CLUTCH	Á-~Ä; ¼¾ÄÍ	1	N	20070425		KMYBA8BLS7C000001	
SPRING, CLUTCH (ONE OR ALL)		6	22131-BA6-9600	GUIDE, CLUTCH OUTER	Á-~Ä; ¾Æ; ðÁÍ °; ÄÍµá	1	Y	20070425		KMYBA8BLS7C000001	
		7	22201-BA6-1000	DISK, CLUTCH FRICTION	Á-~Ä; ÈÄ, ¾Ç µð½°Ä	6	Y	20070425		KMYBA8BLS7C000001	
		8	22311-BA6-0003	PLATE, CLUTCH	Á-~Ä; ÇÄ, ¹ÄÍÆ	5	Y	20070425		KMYBA8BLS7C000001	
		9	22350-BA1-0000	PLATE, CLUTCH PRESSURE	Á-~Ä; ÇÄ, ¼¼Ä ÇÄ, ¹ÄÍÆ	1	N	20070425		KMYBA8BLS7C000001	
		10	22361-BA7-0003	PLATE, CLUTCH LIFTER	Á-~Ä; , ÇÄÄÍ ÇÄ, ¹ÄÍÆ	1	N	20070425		KMYBA8BLS7C000001	
		11	22366-BA6-9300	LIFTER ROD, CLUTCH	Á-~Ä; , ÇÄÄÍ ÄÍµá	1	Y	20070425		KMYBA8BLS7C000001	
		12	23121-BA8-0000	GEAR, PRIMARY DRIVE	ÇÄ¶óÄÍ, Ó, µá¶óÀÍ° ±á³áí	1	Y	20070425		KMYBA8BLS7C000001	
		13	90231-BA6-8300	NUT, LOCK, 16mm	ÄÄ, ³ÈÆ, 16mm	2	Y	20070425		KMYBA8BLS7C000001	
		14	90434-BA6-9300	WASHER, 16mm	çÍ¼Ä 16mm	2	Y	20070425		KMYBA8BLS7C000001	
		15	90461-BA6-0001	WASHER B, SPLINE 20mm	½°ÇÄ¶óÄÍ çÍ¼Ä B 20mm	1	Y	20070425		KMYBA8BLS7C000001	
		16	90465-BA8-0000	WASHER, THRUST 20mm	½°, ½°Æ, çÍ¼Ä 20mm	1	Y	20070425		KMYBA8BLS7C000001	
		17	91008-BA6-0000	BEARING, RADIAL BALL 16003	¼µð¾ó ¼° °È¾í, µ 16003	1	Y	20070425		KMYBA8BLS7C000001	
		18	S5014-75110	SPRING, CLUTCH	Á-~Ä; ½°ÇÄ, µ	4	Y	20070425		KMYBA8BLS7C000001	
		19	S5701-06025-08	BOLT, FLANGE, 6x25	ÈÄ, ¾Äó ¾°Æ, 6x25	4	Y	20070425		KMYBA8BLS7C000001	

E-08

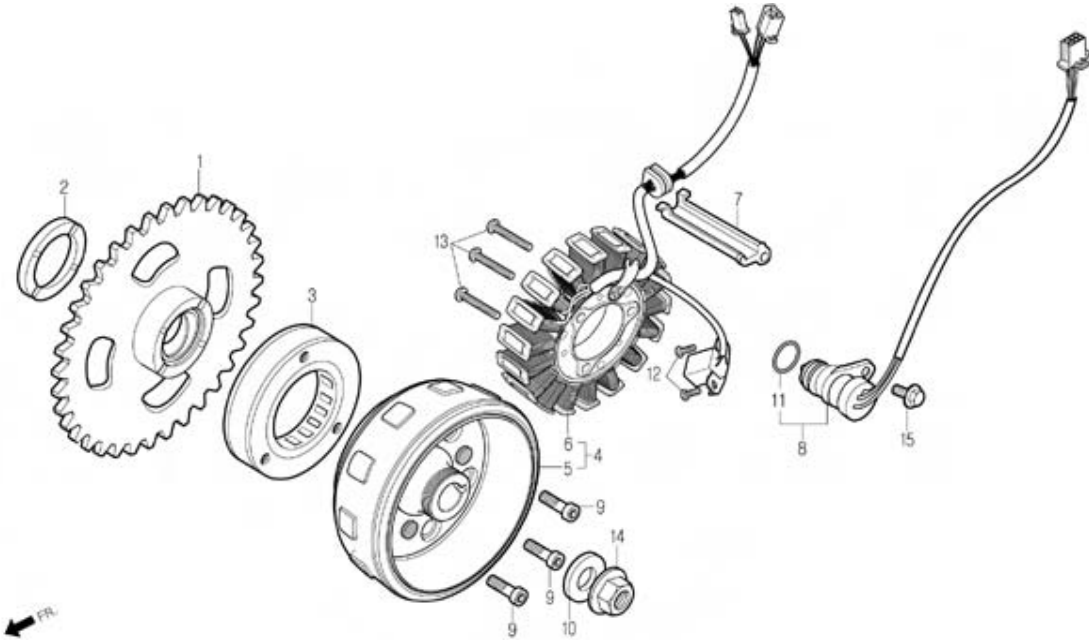
·ÇÁÆ@ Á©·©Á© ÄÉÀ½° Äç½ö LEFT CRANK CASE COVER



Service item	FRT	Ref. No.	Part No.	Description	QTY	EX AS	Start Date	End Date	Start FRM.No	End FRM.No
COVER, LH.CRANK CASE	0.5	1	11340-BA8-0000	COVER COMP., LH.CRANK CASE	1	Y	20070425		KMYBA8BLS7C000001	
COVER, REDUCTION GEAR	0.2	2	11342-BA8-0000	COVER, LH. CRANK CASE COVER	1	Y	20070425		KMYBA8BLS7C000001	
GASKET, LH.CRANK CASE	0.5	3	1135A-BA8-0000	COVER ASS'Y, REDUCTION GEAR	1	Y	20070425		KMYBA8BLS7C000001	
COVER COMP., LH.RR.	0.1	4	11355-BA8-0000	COVER, REDUCTION GEAR	1	N	20070425		KMYBA8BLS7C000001	
		5	11360-BA8-0000	COVER COMP., LH.RR.	1	Y	20070425		KMYBA8BLS7C000001	
		6	11395-BA8-RZ00	GASKET, LH.SIDE COVER	1	Y	20070425		KMYBA8BLS7C000001	
		7	9008A-CB2-PH00	CAP ASSY, 30mm	1	Y	20070425		KMYBA8BLS7C000001	
		8	90084-CB2-PH00	CAP, AC.GENERATOR	1	Y	20070425		KMYBA8BLS7C000001	
		9	90087-CB2-PH00	CAP 30mm	1	N	20070425		KMYBA8BLS7C000001	
		10	91302-BA7-0050	O-RING, 27.4x2.4	1	Y	20070425		KMYBA8BLS7C000001	
		11	91303-CB2-1000	O-RING, 13.8x2.5	1	Y	20070425		KMYBA8BLS7C000001	
		12	91359-BA6-0031	O-RING, 63x3	1	Y	20070425		KMYBA8BLS7C000001	
		13	S3892-05010-18	SCREW, WASHER, 5x10	3	Y	20070425		KMYBA8BLS7C000001	
		14	S4301-10160	PIN, DOWEL, 10x16	2	Y	20070425		KMYBA8BLS7C000001	
		15	S6001-06020-00	BOLT, FLANGE, SH.6x20	1	Y	20070425		KMYBA8BLS7C000001	
		16	S6001-06032-00	BOLT, FLANGE, SH.6x32	2	Y	20070425		KMYBA8BLS7C000001	
		17	S6001-06040-00	BOLT, FLANGE, SH.6x40	4	Y	20070425		KMYBA8BLS7C000001	
		18	S6001-06050-00	BOLT, FLANGE, SH.6x50	1	Y	20070425		KMYBA8BLS7C000001	
		19	S6001-06055-00	BOLT, FLANGE, SH.6x55	1	Y	20070425		KMYBA8BLS7C000001	
		20	S6001-06065-00	BOLT, FLANGE, SH.6x65	1	Y	20070425		KMYBA8BLS7C000001	
		21	S6001-06070-00	BOLT, FLANGE, SH.6x70	1	Y	20070425		KMYBA8BLS7C000001	

E-09

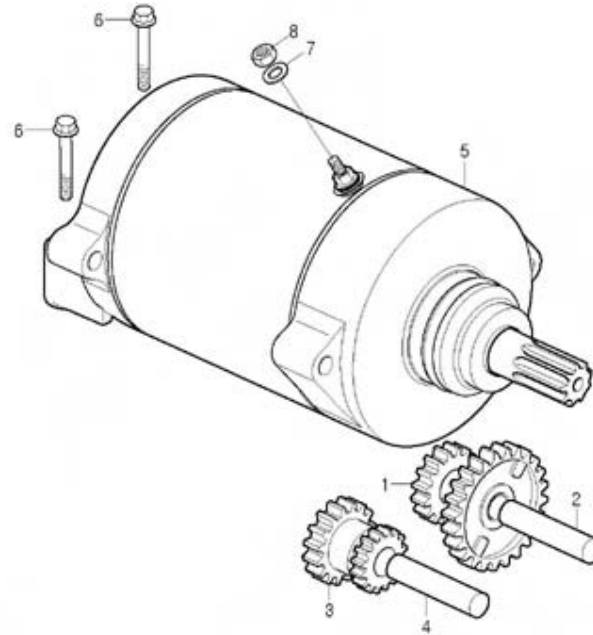
Á³×¹ÀÌÁÍ GENERATOR



Á³×¹ÀÌÁÍ Service item	FRT	Ref. No.	Part No.	Description	í Ç° í	QTY AS	EX	Start Date	End Date	Start FRM.No	End FRM.No
GEAR COMP., STARTER DRIVEN	0.8	1	28110-BA6-9611	GEAR COMP., STARTER DRIVEN	½²Á, ÁÍ µá, @³ ±á³áí ÁÐÇÁ	1	Y	20070425		KMYBA8BLS7C000001	
ONE WAY CLUTCH ASS'Y, STARTER	0.8	2	28114-BA6-9301	COLLAR, STARTER DRIVEN GEAR	½²Á, ÁÍ µá, @³ ±á³áí Á@¶ó	1	Y	20070425		KMYBA8BLS7C000001	
FLYWHEEL COMP	0.7	3	28120-BA6-0051	ONE WAY CLUTCH ASS'Y, STARTER	½²Á, ÁÍ çó; þÁÍ Á-~Á; ¾N¼¼ÁÍ	1	Y	20070425		KMYBA8BLS7C000001	
STATOR COMP.	0.3	4	31100-BA8-0000	GENERATOR ASS'Y, AC.	AC Á³É-¹ÁÍÁÍ ¾N¼¼ÁÍ	1	Y	20070425		KMYBA8BLS7C000001	
SWITCH ASS'Y, CHANGE		5	31110-BA8-0000	FLYWHEEL COMP.	ÇÁ¶óÀÌÈÜ ÁÐÇÁ	1	Y	20070425		KMYBA8BLS7C000001	
		6	31120-BA8-0000	STATOR COMP.	½²Á×ÀÌÁÍ ÁÐÇÁ	1	Y	20070425		KMYBA8BLS7C000001	
		7	32976-BA6-9600	GUIDE, AC.GENERATOR CORD	AC Á³×¹ÀÌÁÍ ÁÚµá °, ÁÌµá	1	Y	20070425		KMYBA8BLS7C000001	
		8	35759-BA1-1000	SWITCH ASS'Y, CHANGE	¾¼ÁÍÁó ½²ÁŞA; ¾N¼¼ÁÍ	1	Y	20070425		KMYBA8BLS7C000001	
		9	90010-BA6-0000	BOLT, SOCKET, 8x18	¼ÖÁÍ ¼¼Æ@ 8x18	3	Y	20070425		KMYBA8BLS7C000001	
		10	90404-BA8-0000	WASHER. 12x30	çÍ¼Á 12x30	1	Y	20070425		KMYBA8BLS7C000001	
		11	91305-BA6-0030	O-RING, 16.5x2.5	çÁ-, µ 16.5x2.5	1	Y	20070425		KMYBA8BLS7C000001	
		12	S3500-05016-0A	SCREW, PAN, 5x16	ÆÖ ½²Á@-ù 5x16	2	Y	20070425		KMYBA8BLS7C000001	
		13	S3500-05032-0A	SCREW, PAN, 5x32	ÆÖ ½²Á@-ù 5x32	3	Y	20070425		KMYBA8BLS7C000001	
		14	S4050-12080	NUT, FLANGE, 12mm	ÈÄ-»Áó ¶Æ@ 12mm	1	Y	20070425		KMYBA8BLS7C000001	
		15	S6001-06014-00	BOLT, FLANGE, SH.6x14	ÈÄ-»Áó ¼¼Æ@ SH 6x14	1	Y	20070425		KMYBA8BLS7C000001	

E-10

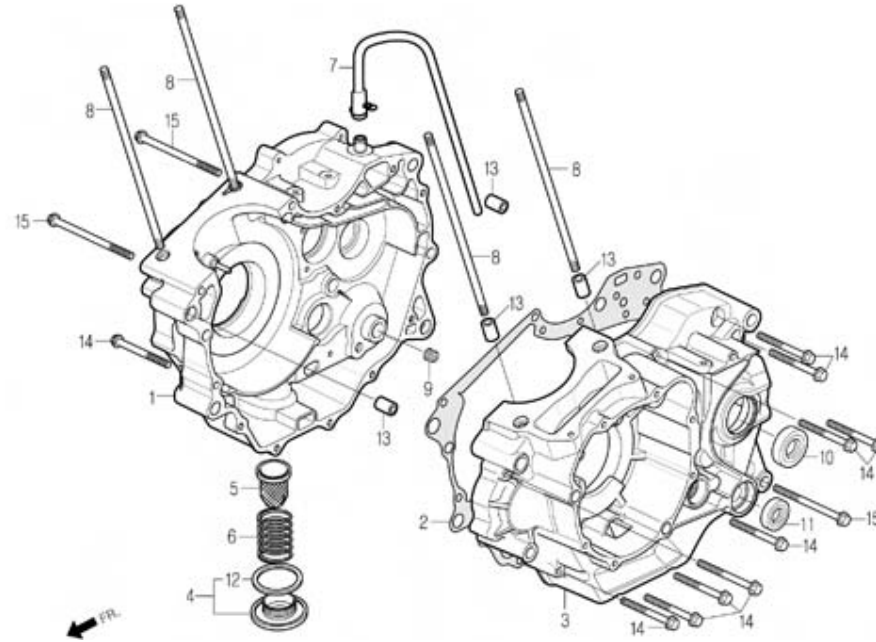
1/2" Á.ÁÍ, ðÁÍ STARTER MOTOR



Service item	FRT	Ref. No.	Part No.	Description	QTY	EX AS	Start Date	End Date	Start FRM.No	End FRM.No
GEAR COMP., REDUCTION MOTOR ASSY, STARTER GEAR COMP., IDLE	0.3	1	28130-BA6-9601	GEAR COMP., REDUCTION	1	Y	20070425		KMYBA8BLS7C000001	
	0.7	2	28132-BA6-9301	SHAFT, REDUCTION GEAR	1	Y	20070425		KMYBA8BLS7C000001	
		3	28140-BA6-9600	GEAR COMP., IDLE	1	Y	20070425		KMYBA8BLS7C000001	
		4	28142-BA6-9000	SHAFT, IDLE GEAR	1	Y	20070425		KMYBA8BLS7C000001	
		5	31200-BA8-0000	MOTOR ASS'Y, START	1	Y	20070425		KMYBA8BLS7C000001	
		6	90117-BA6-0001	BOLT, FLANGE, 6x28	2	Y	20070425		KMYBA8BLS7C000001	
		7	S4002-06080-0S	NUT, HEX, 6mm(Y)	1	Y	20070425		KMYBA8BLS7C000001	
		8	S4101-06800	WASHER, PLAIN, 6mm	1	Y	20070425		KMYBA8BLS7C000001	

E-11

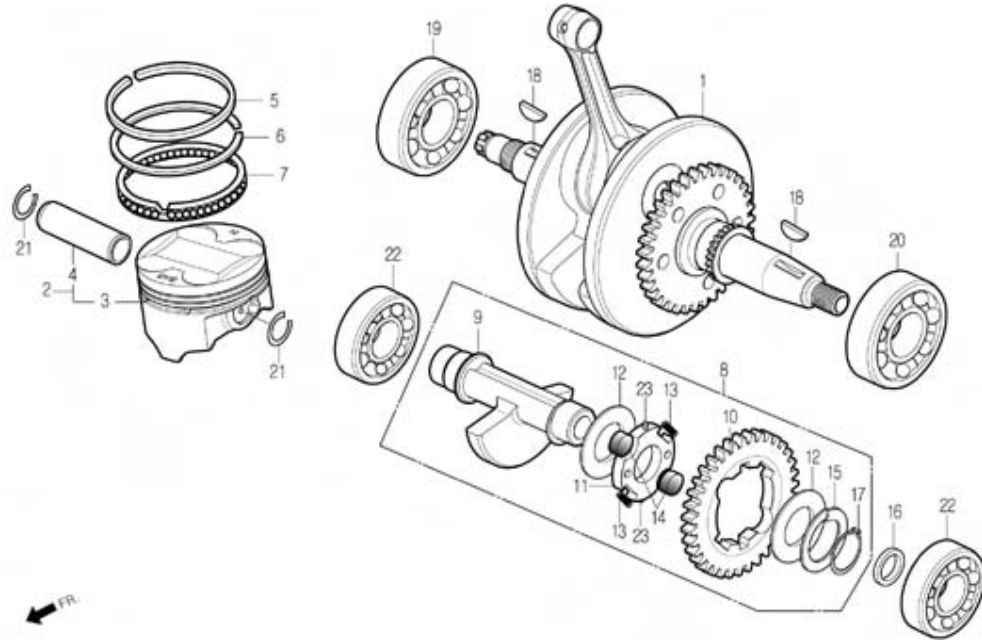
À©•À© ÄÉÀ½° CRANK CASE



Service item	FRT	Ref. No.	Part No.	Description	Quantity	EX AS	Start Date	End Date	Start FRM.No	End FRM.No
CASE COMP., RH.CRANK	4.5	1	11100-BA8-0000	CASE COMP., RH.CRANK	1	Y	20070425		KMYBA8BLS7C000001	
GASKET, CRANK CASE	4.5	2	11191-BA8-RZ00	GASKET, CRANK CASE	1	Y	20070425		KMYBA8BLS7C000001	
CASE COMP., LH.CRANK	5.0	3	11200-BA8-0000	CASE COMP., LH.CRANK	1	Y	20070425		KMYBA8BLS7C000001	
SCREEN, OIL FILTER (INCLUDE RELATIVE PARTS)	0.2	4	15290-BA8-0000	CAP ASS'Y, OIL DRAIN	1	Y	20070425		KMYBA8BLS7C000001	
		5	15421-BA6-0001	SCREEN, OIL FILTER	1	Y	20070425		KMYBA8BLS7C000001	
		6	15426-BA6-0001	SPRING, OIL FILTER SCREEN	1	Y	20070425		KMYBA8BLS7C000001	
		7	15761-BA4-0000	TUBE, BREATHER	1	Y	20070425		KMYBA8BLS7C000001	
		8	90031-BA8-0000	BOLT, CYLINDER STUD	4	Y	20070425		KMYBA8BLS7C000001	
		9	91008-BA7-0031	BEARING, NEEDLE 21mm(HKS21x28x10)	1	Y	20070425		KMYBA8BLS7C000001	
		10	91201-BA6-0330	SEAL, OIL 20x34x7	1	Y	20070425		KMYBA8BLS7C000001	
		11	91206-BA6-0131	SEAL, OIL 14x28x7	1	Y	20070425		KMYBA8BLS7C000001	
		12	91303-BA6-0000	O-RING, 35x3	1	Y	20070425		KMYBA8BLS7C000001	
		13	S4301-12160	PIN, DOWEL, 12x16	4	Y	20070425		KMYBA8BLS7C000001	
		14	S6001-06050-00	BOLT, FLANGE, SH.6x50	10	Y	20070425		KMYBA8BLS7C000001	
		15	S6001-06080-00	BOLT, FLANGE, SH.6x80	3	Y	20070425		KMYBA8BLS7C000001	

E-12

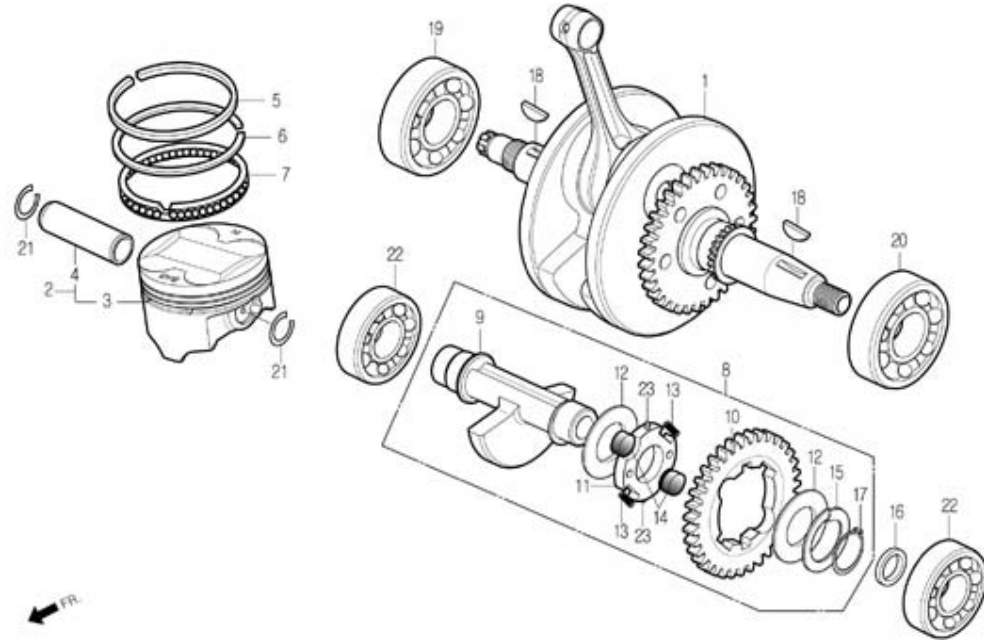
Á©-©Á© »þÇÁÆ© / ÇÇ½°Áæ CRANK SHAFT / PISTON



Service item	FRT	Ref. No.	Part No.	Description	QTY	EX	Start Date	End Date	Start FRM.No	End FRM.No
SHAFT COMP., CRANK	5.3	1	13000-BA8-0000	SHAFT COMP., CRANK	1	Y	20070425			KMYBA8BLS7C000001
BEARING, RADIAL BALL 6207	3.3	2	1310A-BA8-0000	PISTON SET	1	Y	20070425			KMYBA8BLS7C000001
RING, PISTON	3.2	3	13101-BA8-0000	PISTON	1	Y	20070425			KMYBA8BLS7C000001
PISTON	4.7	4	13111-BA6-9300	PIN, PISTON	1	Y	20070425			KMYBA8BLS7C000001
ROD, CONNECTING(ACTUAL TIME) (INCLUDE RELATIVE PARTS)		5	13121-BA8-0000-M1	RING, PISTON TOP	1	Y	20070425			KMYBA8BLS7C000001
BEARING, RADIAL BALL 63128		6	13131-BA8-0000-M1	RING, PISTON 2ND	1	Y	20070425			KMYBA8BLS7C000001
		7	13141-BA6-9620-M2	RING, PISTON OIL	1	Y	20070425			KMYBA8BLS7C000001
		8	13400-BA8-0000	BALANCER ASS'Y, CRANK	1	Y	20070425			KMYBA8BLS7C000001
		9	13410-BA8-0000	BALANCER, CRANK	1	N	20070425			KMYBA8BLS7C000001
		10	13411-BA8-0000	GEAR, BALANCER DRIVEN	1	Y	20070425			KMYBA8BLS7C000001
		11	13412-BA8-0000	CENTER COMP., BALANCER DRIVEN GEAR	1	N	20070425			KMYBA8BLS7C000001
		12	13413-BA8-0000	PLATE, BALANCER GEAR SIDE	2	N	20070425			KMYBA8BLS7C000001
		13	13414-BA8-0000	SPRING, BALANCE GEAR	2	Y	20070425			KMYBA8BLS7C000001
		14	13415-BA8-0000	DAMPER, BALANCER GEAR	2	Y	20070425			KMYBA8BLS7C000001
		15	13416-BA8-0000	WASHER, SPRING	1	N	20070425			KMYBA8BLS7C000001
		16	90454-BA6-0001	WASHER, THRUST 20mm	1	Y	20070425			KMYBA8BLS7C000001
		17	90605-BA6-0001	SET RING, 20mm	1	N	20070425			KMYBA8BLS7C000001
		18	90741-BA6-9600	KEY, WOODRUFF, 25x14x4	2	Y	20070425			KMYBA8BLS7C000001
		19	91001-BA6-9310-M1	BEARING, BALL RADIAL 63128	1	Y	20070425			KMYBA8BLS7C000001
		20	91005-BA6-9610-M1	BEARING, BALL RADIAL 6207	1	Y	20070425			KMYBA8BLS7C000001
		21	S4601-15000	CLIP, PISTON PIN, 15mm	2	Y	20070425			KMYBA8BLS7C000001

E-12

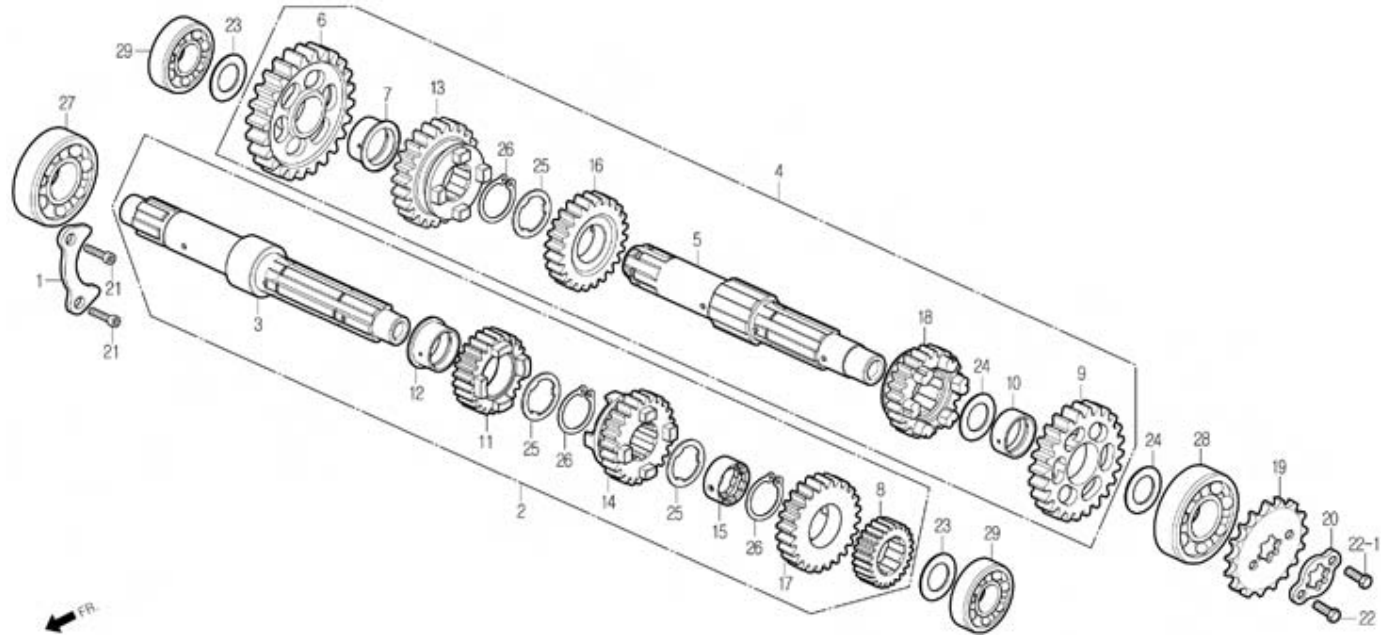
Á©•©Á© »þÇÁÆ© / ÇÇ½°Áæ
CRANK SHAFT / PISTON



Service item	FRT	Ref. No.	Part No.	Description	Unit	QTY AS	EX	Start Date	End Date	Start FRM.No	End FRM.No
		22	S6100-62040-00	BEARING, RADIAL BALL 6204	·µð¾° ¾° £¾µ 6204	2	Y	20070425		KMYBA8BLS7C000001	
		23	S6220-30066	ROLLER, 3x6.6	·Ñ· 3x6.6	2	N	20070425		KMYBA8BLS7C000001	

E-13

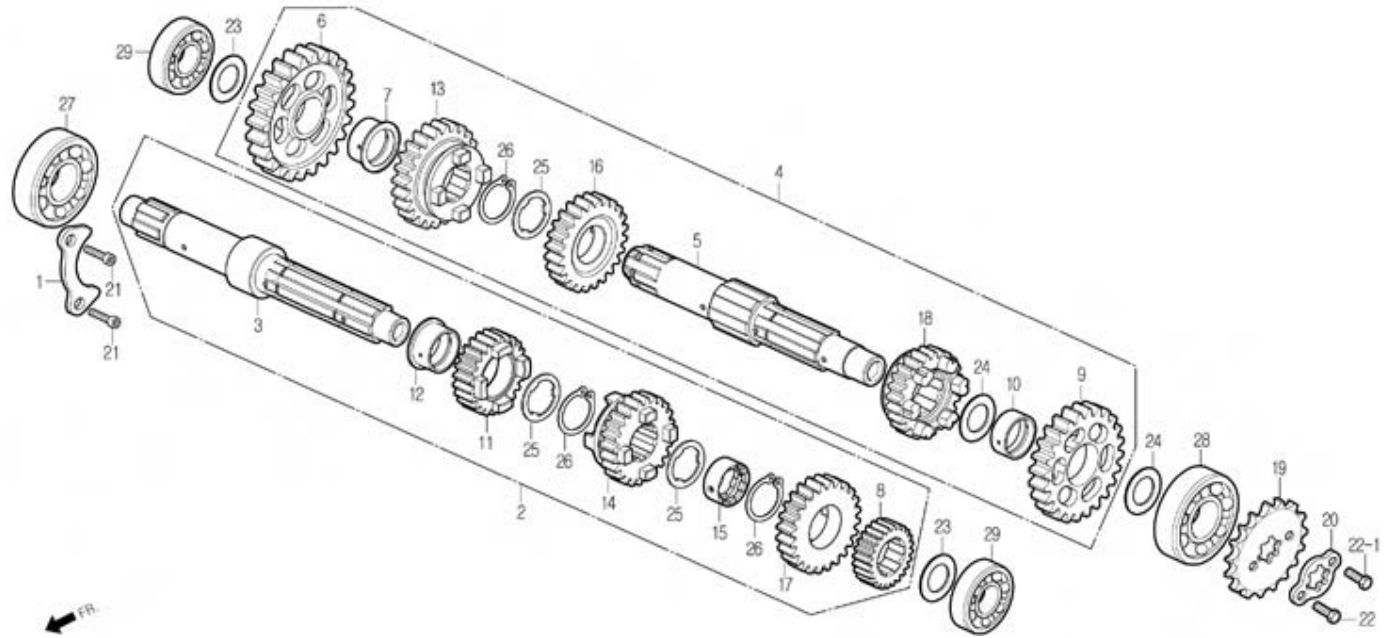
Æ@·£½°¹¼Ç TRANSMISSION



Service item	FRT	Ref. No.	Part No.	Description	QTY	EX AS	Start Date	End Date	Start FRM.No	End FRM.No
SHAFT COMP., MAIN	4.7	1	11108-BA6-9000	PLATE, BEARING SETTING	1	Y	20070425		KMYBA8BLS7C000001	
SHAFT ASS'Y, COUNTER (INCLUDE RELATIVE PARTS)	0.2	2	2321A-BA8-0000	SHAFT ASS'Y, MAIN	1	Y	20070425		KMYBA8BLS7C000001	
		3	23210-BA8-0000	SHAFT COMP., MAIN	1	Y	20070425		KMYBA8BLS7C000001	
		4	2322A-BA8-0000	SHAFT ASS'Y, COUNTER	1	Y	20070425		KMYBA8BLS7C000001	
		5	23221-BA7-9001	SHAFT, COUNTER TRANSMISSION	1	Y	20070425		KMYBA8BLS7C000001	
		6	23426-BA8-0000	GEAR, C-1	1	Y	20070425		KMYBA8BLS7C000001	
		7	23427-BA6-9600	COLLAR, C-1	1	Y	20070425		KMYBA8BLS7C000001	
		8	23441-BA8-0000	GEAR, M-2	1	Y	20070425		KMYBA8BLS7C000001	
		9	23451-BA8-0000	GEAR, C-2	1	Y	20070425		KMYBA8BLS7C000001	
		10	23452-BA6-9001	BUSH, 20x23x9	1	Y	20070425		KMYBA8BLS7C000001	
		11	23461-BA8-0000	GEAR, M-3	1	Y	20070425		KMYBA8BLS7C000001	
		12	23462-BA8-0000	BUSH, 20mm	1	Y	20070425		KMYBA8BLS7C000001	
		13	23471-BA8-0000	GEAR, C-3	1	Y	20070425		KMYBA8BLS7C000001	
		14	23481-BA8-0000	GEAR, M-4	1	Y	20070425		KMYBA8BLS7C000001	
		15	23485-BA6-0000	BUSH, MAIN SHAFT 23x10	1	Y	20070425		KMYBA8BLS7C000001	
		16	23491-BA6-9600	GEAR, C-4	1	Y	20070425		KMYBA8BLS7C000001	
		17	23501-BA6-9611	GEAR, M-5	1	Y	20070425		KMYBA8BLS7C000001	
		18	23511-BA7-9000	GEAR, C-5	1	Y	20070425		KMYBA8BLS7C000001	
		19	23801-BA6-8902-M1	SPROCKET, DRIVE (14T: LONCIN)	1	Y	20070425		KMYBA8BLS7C000001	
		20	23811-BA6-6010	PLATE A2, FIXING	1	Y	20070425		KMYBA8BLS7C000001	
		21	90001-BA6-9300	BOLT, SOCKET 6x16	2	Y	20070425		KMYBA8BLS7C000001	

E-13

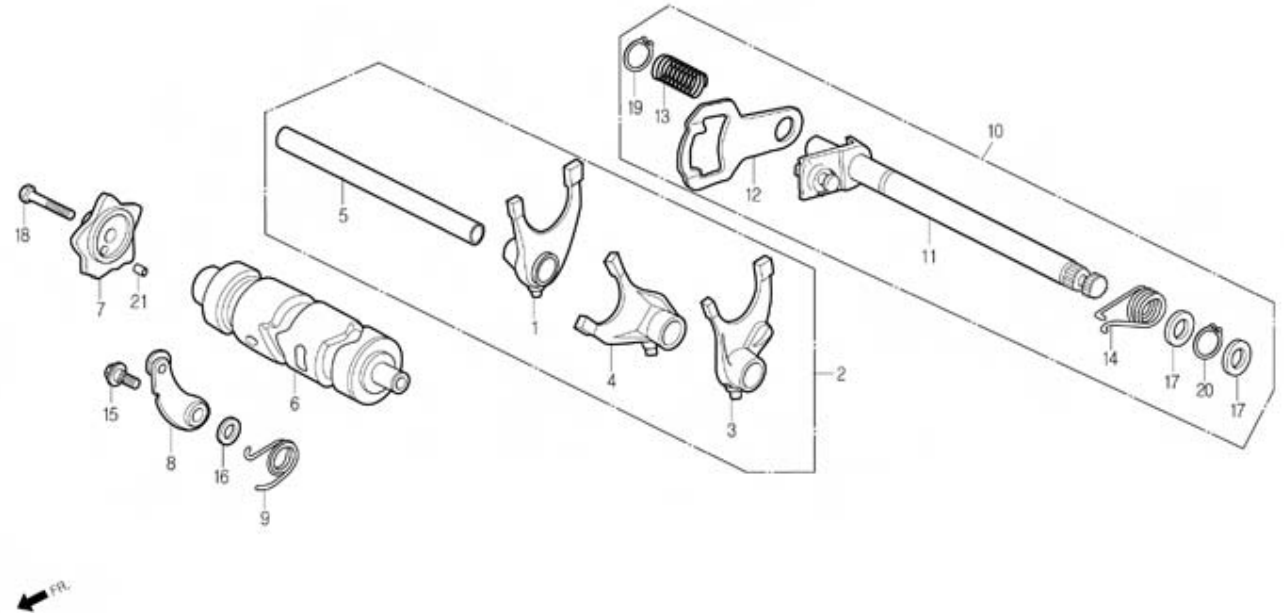
Æ@·£½°¼Ç TRANSMISSION



Service item	FRT	Ref. No.	Part No.	Description	Unit	QTY	EX AS	Start Date	End Date	Start FRM.No	End FRM.No
		22	90084-CB2-0001	BOLT, DRIVE SPROCKET FIXING	µâ¶óÀ¶è ½°ÇÁ·ÎÁÎ ÇÈ½â ¶¼Æ@	1	Y	20070425		KMYBA8BLS7C000001	
		22-1	90085-BA7-0002-EU	BOLT, DRIVE SPROCKET FIXING 6x9	µâ¶óÀ¶è ½°ÇÁ·ÎÁÎ ÇÈ½â ¶¼Æ@ 6x9	1	Y	20070425		KMYBA8BLS7C000001	
		23	90451-BA6-0002	WASHER, THRUST 15mm	½°·½°Æ@ ç¼¼Á B 15mm	2	Y	20070425		KMYBA8BLS7C000001	
		24	90454-BA6-0001	WASHER, THRUST 20mm	½°·½°Æ@ ç¼¼Á A 20mm	2	Y	20070425		KMYBA8BLS7C000001	
		25	90455-BA6-0002	WASHER A, SPLINE 20mm	½°ÇÁ¶óÀ¶ ç¼¼Á A 20mm	3	Y	20070425		KMYBA8BLS7C000001	
		26	90605-BA6-0001	SET RING, 20mm	¼ÁÆ@ ,µ 20mm	3	N	20070425		KMYBA8BLS7C000001	
		27	S6100-60040-00	BEARING, RADIAL BALL 6004	·µð¾ó ¼° °£¾¼,µ 6004	1	Y	20070425		KMYBA8BLS7C000001	
		28	S6100-62040-00	BEARING, RADIAL BALL 6204	·µð¾ó ¼° °£¾¼,µ 6204	1	Y	20070425		KMYBA8BLS7C000001	
		29	S6120-62020-00	BEARING, RADIAL BALL 6202Z	·µð¾ó ¼° °£¾¼,µ 6202Z	2	Y	20070425		KMYBA8BLS7C000001	

E-14

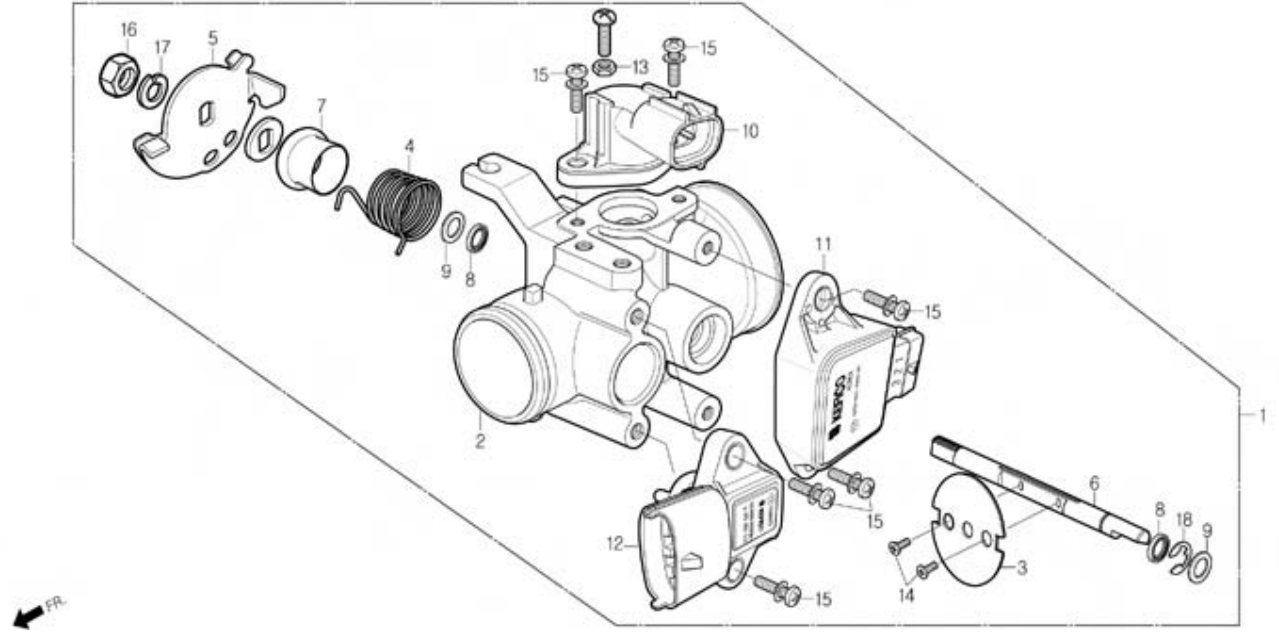
½-ÇÁÆ® μá³ / ½-ÇÁÆ® Æ÷Á© SHIFT DRUM / SHIFT FORK



Á®ñÇ×ñ Service item	FRT	Ref. No.	Part No.	Description	°í Ç° í	QTY AS	EX	Start Date	End Date	Start FRM.No	End FRM.No
FORK ASS'Y, GEAR SHIFT (ONE OR ALL)	4.7	1	24211-BA6-0008	FORK, RH.GEAR SHIFT	RH.±â³⁄⁴í ½-ÇÁÆ® Æ÷Á©	1	Y	20070425		KMYBA8BLS7C000001	
DRUM, GEAR SHIFT	0.9	2	2422A-BA6-9600	FORK ASS'Y, GEAR SHIFT	±â³⁄⁴í ½-ÇÁÆ® Æ÷Á© ¾N¼¼Àì	1	Y	20070425		KMYBA8BLS7C000001	
CAM, GEAR SHIFT	1.0	3	24221-BA6-9600	FORK, LH.GEAR SHIFT	LH.±â³⁄⁴í ½-ÇÁÆ® Æ÷Á©	1	Y	20070425		KMYBA8BLS7C000001	
STOPPER COMP., GEAR SHIFT (INCLUDE RELATIVE PARTS)		4	24231-BA6-0102	FORK, CENTER GEAR SHIFT	¼¾Áì ±â³⁄⁴í ½-ÇÁÆ® Æ÷Á©	1	Y	20070425		KMYBA8BLS7C000001	
PLATE, GEAR SHIFT		5	24241-BA6-9601	SHAFT, GEAR SHIFT FORK GUIDE	±â³⁄⁴í ½-ÇÁÆ® Æ÷Á© °;Áìμá »pÇÁÆ®	1	N	20070425		KMYBA8BLS7C000001	
SPINDLE ASS'Y, GEAR SHIFT (INCLUDE RELATIVE PARTS)		6	24301-BA6-9600	DRUM, GEAR SHIFT	±â³⁄⁴í ½-ÇÁÆ® μá³	1	Y	20070425		KMYBA8BLS7C000001	
		7	24411-BA6-0001	CAM, GEAR SHIFT	±â³⁄⁴í ½-ÇÁÆ® Á.	1	Y	20070425		KMYBA8BLS7C000001	
		8	24430-BA6-9001	STOPPER COMP., GEAR SHIFT DRUM	±â³⁄⁴í ½-ÇÁÆ® μá³ ½°ÁäÆÜ ÁpÇÁ	1	Y	20070425		KMYBA8BLS7C000001	
		9	24435-BA7-8900	SPRING, SHIFT DRUM STOPPER	½-ÇÁÆ® μá³ ½°ÁäÆÜ ½°ÇÁ,μ	1	Y	20070425		KMYBA8BLS7C000001	
		10	2461A-BA8-0000	SPINDLE ASS'Y, GEAR SHIFT	±â³⁄⁴í ½-ÇÁÆ® ½°ÇÉμé ¾N¼¼Àì	1	Y	20070425		KMYBA8BLS7C000001	
		11	24610-BA8-0000	SPINDLE COMP., GEAR SHIFT	±â³⁄⁴í ½-ÇÁÆ® ½°ÇÉμé ÁpÇÁ	1	N	20070425		KMYBA8BLS7C000001	
		12	24621-BA6-7604	PLATE, GEAR SHIFT	±â³⁄⁴í ½-ÇÁÆ® ÇÁ¹ÁìÆ®	1	Y	20070425		KMYBA8BLS7C000001	
		13	24631-BA6-0001	SPRING, GEAR SHIFT PLATE	±â³⁄⁴í ½-ÇÁÆ® ÇÁ¹ÁìÆ® ½°ÇÁ,μ	1	Y	20070425		KMYBA8BLS7C000001	
		14	24651-BA6-0006	SPRING, GEAR SHIFT RETURN	±â³⁄⁴í ½-ÇÁÆ® ®Áì ½°ÇÁ,μ	1	Y	20070425		KMYBA8BLS7C000001	
		15	90023-BA6-9000	PIVOT, GEAR SHIFT DRUM STOPPER	±â³⁄⁴í ½-ÇÁÆ® μá³ ½°ÁäÆÜ ÇÇ°;ç	1	Y	20070425		KMYBA8BLS7C000001	
		16	90408-BA6-9000	WASHER, 6mm	çÍ¼Á 6mm	1	Y	20070425		KMYBA8BLS7C000001	
		17	90451-CB2-0002	WASHER, THRUST 14mm	½°-¾°Æ® çÍ¼Á 14mm	2	Y	20070425		KMYBA8BLS7C000001	
		18	S2101-06025-0H	BOLT, HEX 6x25	ÇÍ¾° °¼Æ® 6x25	1	Y	20070425		KMYBA8BLS7C000001	
		19	S4510-12000	CIR CLIP, EXTERNAL 12mm	çe½°Áíí ½á Á-¾ 12mm	1	Y	20070425		KMYBA8BLS7C000001	
		20	S4510-14000	CIR CLIP, EXTERNAL 14mm	çe½°Áíí ½á Á-¾ 14mm	1	Y	20070425		KMYBA8BLS7C000001	
		21	S6220-40100	ROLLER, 4x10	·Ñ- 4x10	1	Y	20070425		KMYBA8BLS7C000001	

E-15

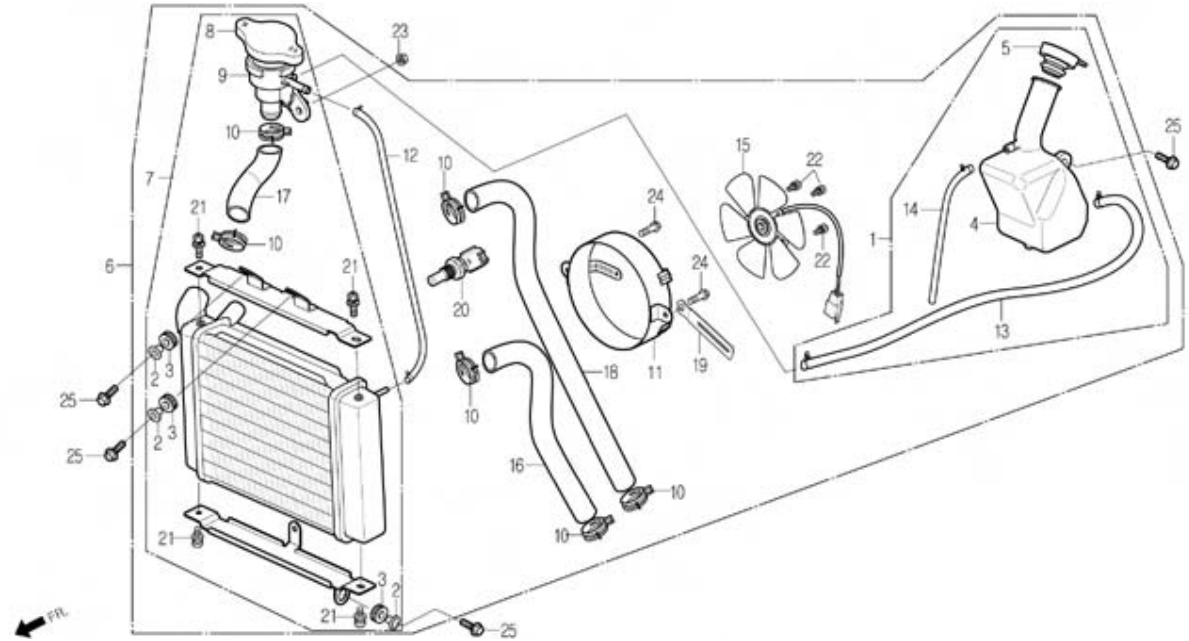
¾-ØÆ² ¹Ùµð THROTTLE BODY



Á²ñÇ×, ñ Service item	FRT	Ref. No.	Part No.	Description	¹ Ç ° í	QTY AS	EX	Start Date	End Date	Start FRM.No	End FRM.No
BODY ASS'Y, THROTTLE	0.5	1	1620A-BA8-0000	BODY ASS'Y, THROTTLE	¾²-ØÆ² ¹Ùµð ¾Ñ¹¼ÁÍ	1	Y	20070425		KMYBA8BLS7C000001	
		2	16200-SA4-R301	BODY, THROTTLE	¾²-ØÆ² ¹Ùµð	1	N	20070425		KMYBA8BLS7C000001	
		3	16202-BA1-R300	VALVE, THROTTLE	¾²-ØÆ² ¹Ø°è	1	N	20070425		KMYBA8BLS7C000001	
		4	16203-BA1-R300	SPRING, THROTTLE RETURN	¾²-ØÆ² ,@ÁÍ ½°ÇÁ,µ	1	N	20070425		KMYBA8BLS7C000001	
		5	16204-BA1-R300	LEVER COMP., THROTTLE	¾²-ØÆ² ¹½ ÅPÇÁ	1	N	20070425		KMYBA8BLS7C000001	
		6	16205-SA4-R301	SHAFT, THROTTLE	¾²-ØÆ² »bÇÁÆ@	1	N	20070425		KMYBA8BLS7C000001	
		7	16206-BA1-R300	COLLAR, THROTTLE RETURN SPRING	¾²-ØÆ² ,@ÁÍ ½°ÇÁ,µ Ä@¶6	1	N	20070425		KMYBA8BLS7C000001	
		8	16207-BA1-R300	SEAL, OIL	¿ÁÁÍ ½ÁÁÍ	2	Y	20070425		KMYBA8BLS7C000001	
		9	16208-BA1-R300	COLLAR, SIDE	»çÁÍµá Ä@¶6	2	N	20070425		KMYBA8BLS7C000001	
		10	16220-BA1-R310-M1	ACTUATOR, IDLE SPEED	¾ÆÁÍµé ½°ÇÇµá ¾×Æ@;¿ÁÍÁÍ	1	Y	20070425		KMYBA8BLS7C000001	
		11	16230-BA1-R300-M1	SENSOR, THROTTLE POSITION	½°-ÏÆ² Æ÷Áð¼Ç ¼¾¼¼-	1	Y	20070425		KMYBA8BLS7C000001	
		12	16240-BA1-R300-M1	SENSOR, MAP & AT	¾ ¿Æ ¿¿ÁÏÆ¼ ¼¾¼¼-	1	Y	20070425		KMYBA8BLS7C000001	
		13	90206-CB2-0007	NUT, TAPPET ADJUSTING	Á,Æè ¾íÁ@½°ÆÁ ¾ÈÆ@	1	N	20070425		KMYBA8BLS7C000001	
		14	S3600-03005	SCREW, FLAT 3x5	ÇÁ-¿ ½°Á@-ù 3x5	2	N	20070425		KMYBA8BLS7C000001	
		15	S3893-04012-18	SCREW, WASHER, 4x12	¿Í¼Á ½°Á@-ù 4x12	6	Y	20070425		KMYBA8BLS7C000001	
		16	S4001-08000-0S	NUT, HEX, 8mm	Ç½° ¾ÈÆ@ 8mm	1	N	20070425		KMYBA8BLS7C000001	
		17	S4111-08800	WASHER, SPRING, 8mm	½°ÇÁ,µ ¿Í¼Á 8mm	1	N	20070425		KMYBA8BLS7C000001	
		18	S4540-06018	E-RING 6mm	E-,µ 6mm	1	N	20070425		KMYBA8BLS7C000001	

E-16

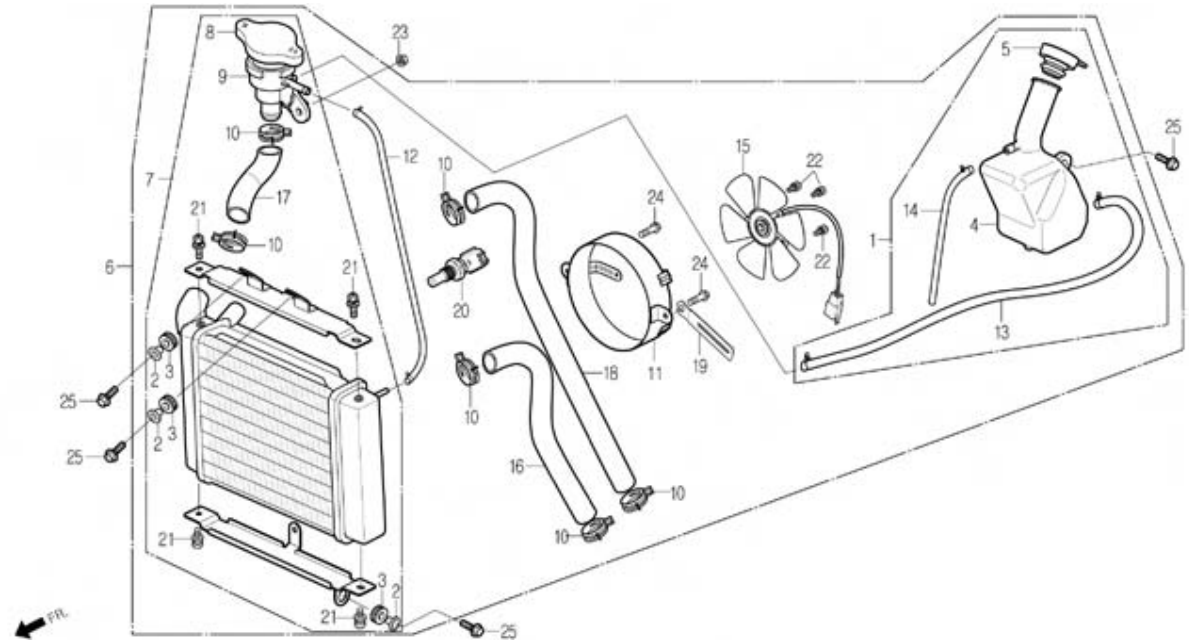
Ἡὸμδζῖ;ÀÌÁÍ / Ἡὸμδζῖ;ÀÌÁÍ ÈÈ½° RADIATOR / RADIATOR HOSE



Áπ°ñC×,ñ Service item	FRT	Ref. No.	Part No.	Description	Ἡ ὀ ḡ ῖ	QTY AS	EX	Start Date	End Date	Start FRM.No	End FRM.No
RADIATOR ASS'Y.	0.6	1	1910A-BA8-0000	TANK ASS'Y. RESERVE	ḡÁí°ε ÁÈÁ⊙ ¾Ñ¼¼ÁÌ	1	Y	20070425		KMYBA8BLS7C000001	
HOSE A, RADIATOR	0.5	2	19011-SA1-0000	COLLAR, RADIATOR	Ἡὸμδζῖ;ÀÌÁÍ Á⊙Ἡ6	3	N	20070425		KMYBA8BLS7C000001	
HOSE B, RADIATOR	0.5	3	19012-SA1-0100	RUBBER, RADIATOR	Ἡὸμδζῖ;ÀÌÁÍ -ῖ6	3	Y	20070425		KMYBA8BLS7C000001	
		4	19101-BA8-0000	RESERVE TANK, RADIATOR	Ἡὸμδζῖ;ÀÌÁÍ ⊙Á⊙°ε ÁÈÁ⊙	1	Y	20070425		KMYBA8BLS7C000001	
		5	19105-SZ1-0000	CAP, RESERVE TANK	ḡÁ⊙°ε ÁÈÁ⊙ Á,	1	Y	20070425		KMYBA8BLS7C000001	
		6	1930A-BA8-0000	RADIATOR ASS'Y	Ἡὸμδζῖ;ÀÌÁÍ ¾Ñ¼¼ÁÌ	1	Y	20070425		KMYBA8BLS7C000001	
		7	19300-BA8-0000-M1	RADIATOR COMP.	Ἡὸμδζῖ;ÀÌÁÍ ÁḡÇÁ	1	Y	20070425		KMYBA8BLS7C000001	
		8	19351-SZ1-0000-M1	CAP, RADIATOR	Ἡὸμδζῖ;ÀÌÁÍ Á,	1	Y	20070425		KMYBA8BLS7C000001	
		9	19352-SZ1-0001	BODY, RADIATOR CAP	Ἡὸμδζῖ;À, Á, ῖÙμδ	1	Y	20070425		KMYBA8BLS7C000001	
		10	19354-BA8-0000	CLIP A25, TUBE	Æ⊙°ε Á-ῖ,³ A25	6	Y	20070425		KMYBA8BLS7C000001	
		11	19361-BA8-0000	BRACKET COMP., FAN MOTOR	ÆḚ ḡÁÍ °εἩ6ÁÍ ÁḡÇÁ	1	Y	20070425		KMYBA8BLS7C000001	
		12	19372-BA8-0000	TUBE ASS'Y, WATER PASS	ζḡÁÍ ÆḚḡ° Æ⊙°ε ¾Ñ¼¼ÁÌ	1	Y	20070425		KMYBA8BLS7C000001	
		13	19381-BA8-0000	TUBE ASS'Y C, WATER PASS	ζḡÁÍ ÆḚḡ° Æ⊙°ε ¾Ñ¼¼ÁÌ C	1	Y	20070425		KMYBA8BLS7C000001	
		14	19383-BA8-0000	TUBE ASS'Y D, WATER PASS	ζḡÁÍ ÆḚḡ° Æ⊙°ε ¾Ñ¼¼ÁÌ D	1	Y	20070425		KMYBA8BLS7C000001	
		15	1939A-SZ1-0000-M1	MOTOR ASS'Y, FAN	ÆḚ ḡÁÍ ¾Ñ¼¼ÁÌ	1	Y	20070425		KMYBA8BLS7C000001	
		16	19501-BA8-0000	HOSE A, RADIATOR	Ἡὸμδζῖ;ÀÌÁÍ ÈÈ½° A	1	Y	20070425		KMYBA8BLS7C000001	
		17	19502-BA8-0000	HOSE B, RADIATOR	Ἡὸμδζῖ;ÀÌÁÍ ÈÈ½° B	1	Y	20070425		KMYBA8BLS7C000001	
		18	19503-BA8-0000	HOSE C, RADIATOR	Ἡὸμδζῖ;ÀÌÁÍ ÈÈ½° C	1	Y	20070425		KMYBA8BLS7C000001	
		20	37760-SZ1-0000-M1	SWITCH ASS'Y, THERMO	½ḡ, ḡ ½°À\$Á; ¾Ñ¼¼ÁÌ	1	Y	20070425		KMYBA8BLS7C000001	
		21	S3405-06012-08	BOLT, WASHER, 6x12	ζῖ¼¼Á °¼Æ⊙ 6x12	4	Y	20070425		KMYBA8BLS7C000001	

E-16

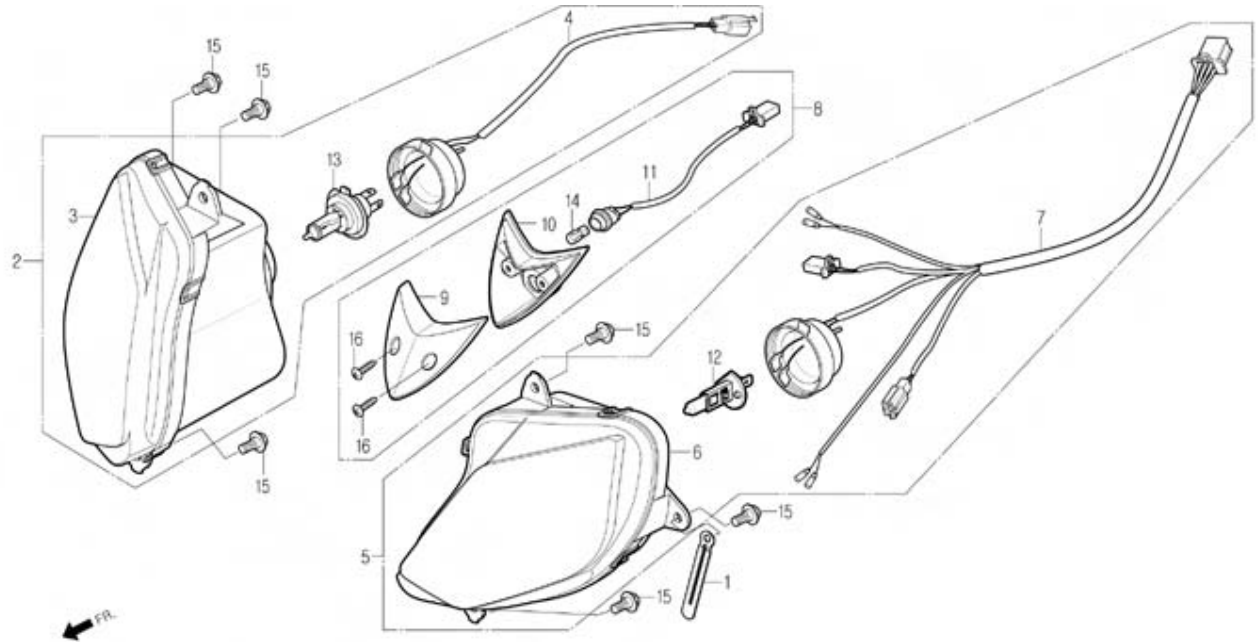
Ραδιέζα / Ραδιέζα Εξ/2°
RADIATOR / RADIATOR HOSE



Service item	FRT	Ref. No.	Part No.	Description	Quantity	EX AS	Start Date	End Date	Start FRM.No	End FRM.No
		22	S3891-04012-08	SCREW, WASHER, 4x12	3	N	20070425		KMYBA8BLS7C000001	
		23	S4050-06080	NUT, FLANGE, 6mm	1	Y	20070425		KMYBA8BLS7C000001	
		24	S5701-06012-08	BOLT, FLANGE, 6x12	2	Y	20070425		KMYBA8BLS7C000001	
		25	S5701-06018-08	BOLT, FLANGE, 6x18	4	Y	20070425		KMYBA8BLS7C000001	

F-01

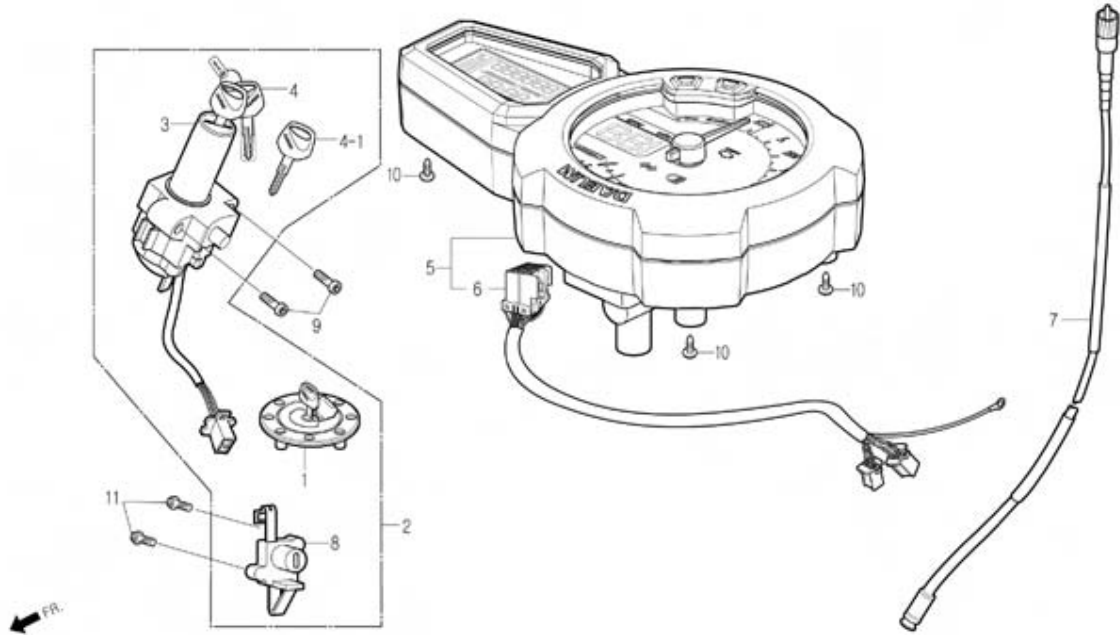
Çıplak Gözetim HEADLIGHT



ÁrñÇ×ñ Service item	FRT	Ref. No.	Part No.	Description	İ Ç° í	QTY AS	EX	Start Date	End Date	Start FRM.No	End FRM.No
HEADLIGHT ASS'Y BULB, HEADLIGHT BULB, WEDGE BASE UNIT, HEADLIGHT	0.5	2	33100-BA8-RZ00-M1	HEADLIGHT ASS'Y, RH.	RH.Çıplak Gözetim ¾N¼¼Áİ	1	Y	20070425		KMYBA8BLS7C000001	
		3	33120-BA8-RZ00	UNIT, RH.HEADLIGHT	RH.Çıplak Gözetim Á~İE@	1	N	20070425		KMYBA8BLS7C000001	
		4	33130-BA8-RZ00-M1	SOCKET COMP., RH.HEADLIGHT	RH.Çıplak Gözetim ¼ÖÁİ ÁpÇÁ	1	Y	20070425		KMYBA8BLS7C000001	
		5	33150-BA8-RZ00-M1	HEADLIGHT ASS'Y, LH	LH.Çıplak Gözetim ¾N¼¼Áİ	1	Y	20070425		KMYBA8BLS7C000001	
		6	33170-BA8-RZ00	UNIT, LH.HEADLIGHT	LH.Çıplak Gözetim Á~İE@	1	N	20070425		KMYBA8BLS7C000001	
	7	33180-BA8-RZ00-M1	SOCKET COMP., LH.HEADLIGHT	LH.Çıplak Gözetim ¼ÖÁİ ÁpÇÁ	1	Y	20070425		KMYBA8BLS7C000001		
	8	33200-BA8-0001-M1	LIGHT ASS'Y, POSITION	Æ÷Áð¼Ç *Gözetim ¾N¼¼Áİ	1	Y	20070425		KMYBA8BLS7C000001		
	9	33201-BA8-0000	LENS, POSITION LIGHT	Æ÷Áð¼Ç *Gözetim »Áİ	1	N	20070425		KMYBA8BLS7C000001		
	10	33202-BA8-0000	BASE, POSITION LIGHT	Æ÷Áð¼Ç *Gözetim *EÁİ½°	1	N	20070425		KMYBA8BLS7C000001		
	11	33210-BA8-0000	SOCKET COMP., POSITION LIGHT	Æ÷Áð¼Ç *Gözetim ¼ÖÁİ ÁpÇÁ	1	Y	20070425		KMYBA8BLS7C000001		
	12	34901-SA7-0000	BULB, HEAD LIGHT(12V 55W)	Çıplak Gözetim ¼°®(12V 55W)	1	Y	20070425		KMYBA8BLS7C000001		
	13	34901-SZ1-0000	BULB, HEAD LIGHT(12V 55W)	Çıplak Gözetim ¼°®(12V 55W)	1	Y	20070425		KMYBA8BLS7C000001		
	14	34902-SA1-RB00	BULB, WEDGE BASE(12V 5W)	½Áð *EÁİ½° ¼°®(12V 5W)	1	Y	20070425		KMYBA8BLS7C000001		
	15	90111-SE5-1000	BOLT, FLANGE 6mm	ÈÁ»Áð ¼°E@ 6mm	6	Y	20070425		KMYBA8BLS7C000001		
	16	S3901-24480	SCREW, TAPPING 4x16	ÁÇÇİ ½°Á@-ù 4x16	2	Y	20070425		KMYBA8BLS7C000001		

F-02

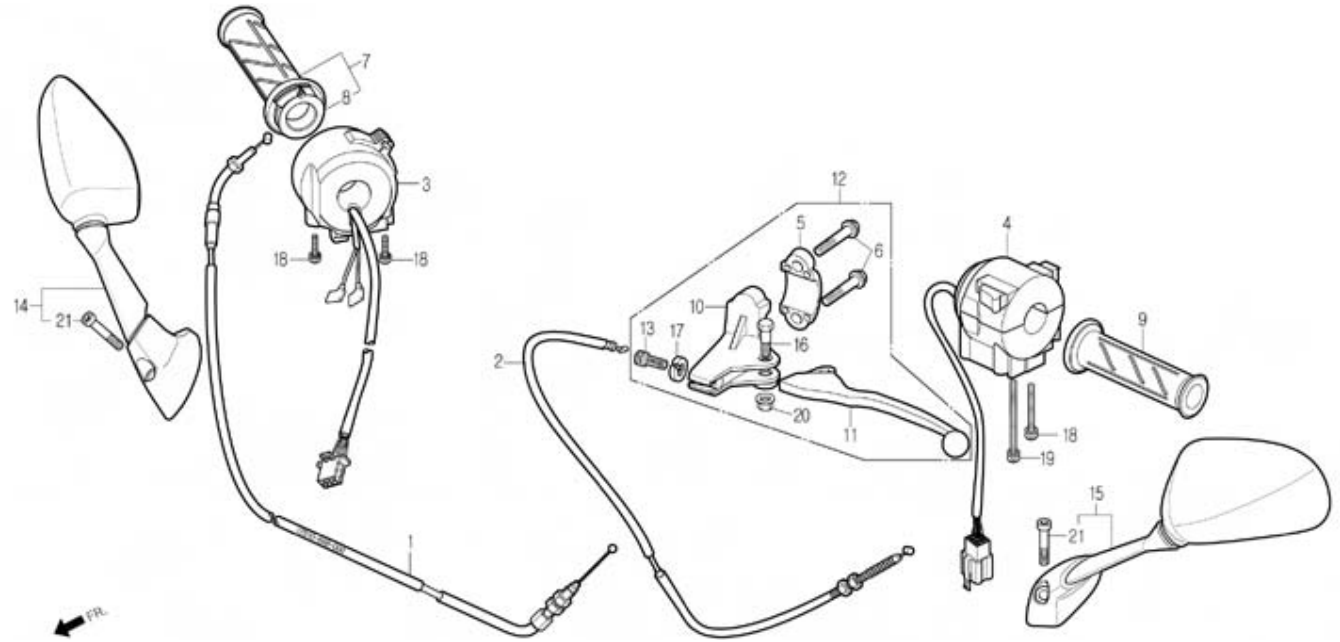
COMBINATION METER



Service item	FRT	Ref. No.	Part No.	Description	Unit	QTY	EX AS	Start Date	End Date	Start FRM.No	End FRM.No
METER ASSY, COMBINATION	0.4	1	17620-BA4-0000-M1	CAP COMP., FUEL FILLER	ÈP;µ ÈÛ- Á, ÁPÇÁ	1	N	20070425		KMYBA8BLS7C000001	
KEY SET	0.5	2	35010-BA8-0000	KEY SET	Á° ¼ÁÆ®	1	Y	20070425		KMYBA8BLS7C000001	
CABLE ASSY, SPEEDOMETER	0.3	3	35100-BA8-0000	SWITCH ASS'Y, COMBI & LOCK	ÁP°ñ & -ÍÁ® ½°Á§Á; ¾Ñ¼¼ÁÌ	1	N	20070425		KMYBA8BLS7C000001	
		4	35111-BA4-0000-M1	KEY COMP.	Á° ÁPÇÁ	1	N	20070425		KMYBA8BLS7C000001	
		4-1	35121-BA4-0000	KEY, BLANK	°®Á® Á°	1	Y	20070425		KMYBA8BLS7C000001	
		5	37100-BA8-0000-M1	METER ASS'Y, COMBINATION	ÁP°ñ×ÁÌ¼Ç ,pÁÍ ¾Ñ¼¼ÁÌ	1	Y	20070425		KMYBA8BLS7C000001	
		6	37223-BA8-0000-M1	SOCKET COMP.	¼ÒÁÍ ÁPÇÁ	1	Y	20070425		KMYBA8BLS7C000001	
		7	44830-BA4-0000-M1	CABLE ASSY, SPEEDOMETER	½°ÇÇµµ ,pÁÍ ÁÉÁÍ° ¾Ñ¼¼ÁÌ	1	Y	20070425		KMYBA8BLS7C000001	
		8	50730-BA4-0000-M1	ASS'Y, HELMET HOLDER & SEAT LOCK	Ç; ù ÈÍ° & ½ÁÆ® -ÍÁ® ¾Ñ¼¼ÁÌ	1	N	20070425		KMYBA8BLS7C000001	
		9	90081-BA6-0001	BOLT, SOCKET, 8x20	¼ÒÁÍ °¼Æ® 8x20	2	Y	20070425		KMYBA8BLS7C000001	
		10	S3903-25220	SCREW, TAPPING 5x12	ÁÇÇÍ ½°Á®-ù 5x12	3	Y	20070425		KMYBA8BLS7C000001	
		11	S5701-06012-08	BOLT, FLANGE, 6x12	ÈÄ»Á® °¼Æ® 6x12	2	Y	20070425		KMYBA8BLS7C000001	

F-03

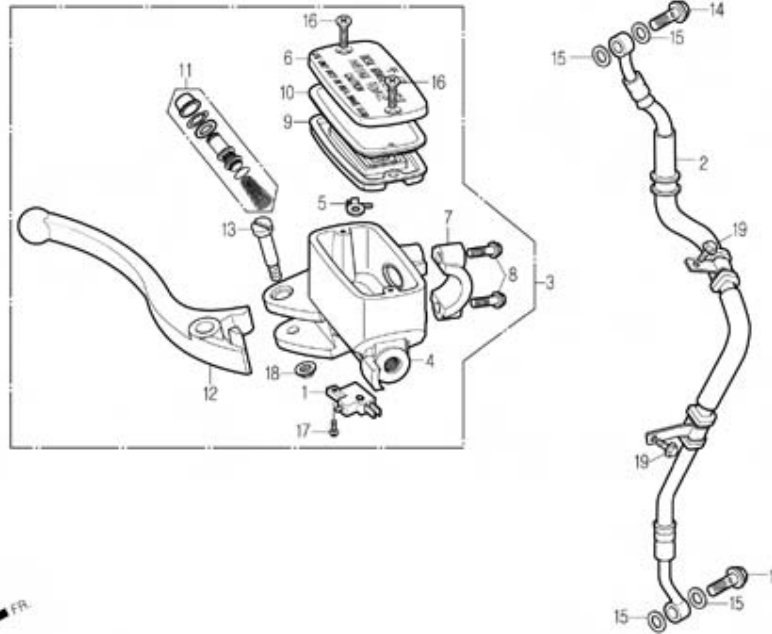
ÇÚµé ±±ö / ½°ÀŞÄ; / ÄÉÀÏÿ HANDLE LEVER / SWITCH / CABLE



Á±ñÇ×, ñ Service item	FRT	Ref. No.	Part No.	Description	İ Ç° İ	QTY AS	EX	Start Date	End Date	Start FRM.No	End FRM.No
CABLE COMP., THROTTLE	0.4	1	17910-BA4-R300	CABLE COMP., THROTTLE	½°-ÖÆ² ÄÉÀÏÿ ÄPÇÁ	1	Y	20070425		KMYBA8BLS7C000001	
CABLE COMP., CLUTCH	0.2	2	22870-BA4-0001-M1	CABLE COMP., CLUTCH	Á-Ä; ÄÉÀÏÿ ÄPÇÁ	1	Y	20070425		KMYBA8BLS7C000001	
SWITCH ASS'Y. LIGHTING START	0.5	3	35150-BA4-RB01	SWITCH ASS'Y. LIGHTING START	¶óÄÄÆÄ ½°Ä, Æ@ ½°ÀŞÄ; ¾Ñ¼¼ÄÄ	1	Y	20070425		KMYBA8BLS7C000001	
GRIP COMP., RH	0.1	4	35200-BA4-R310	SWITCH ASS'Y. WINKER	Ä@Ä; ½°ÀŞÄ; ¾Ñ¼¼ÄÄ	1	Y	20070425		KMYBA8BLS7C000001	
GRIP, LH.HANDLE	0.1	5	45517-BA6-0061	HOLDER, MASTER CYLINDER	¶½°ÄÄ ½°Ç, °ö È'ö	1	N	20070425		KMYBA8BLS7C000001	
LEVER COMP., LH.STEERING HANDLE	0.1	6	45518-BA4-0000-M1	BOLT, MASTER CYLINDER HOLDER	¶½°ÄÄ ½°Ç, °ö È'ö ¶¼Æ@	2	Y	20070425		KMYBA8BLS7C000001	
		7	53140-BA4-0000	GRIP COMP., RH	RH.±×, ³ ÄPÇÁ	1	Y	20070425		KMYBA8BLS7C000001	
		8	53141-BA4-0000	PIPE, THROTTLE GRIP	½°-ÖÆ² ±×, ³ ÄÄÄÏÇÁ	1	N	20070425		KMYBA8BLS7C000001	
		9	53166-BA4-0000	GRIP, LH.HANDLE	LH.ÇÚµé ±×, ³	1	Y	20070425		KMYBA8BLS7C000001	
		10	53172-BA8-0000	BRACKET, LH.HANDLE LEVER	LH.ÇÚµé ±±ö ¶½öÄÄ	1	N	20070425		KMYBA8BLS7C000001	
		11	53178-BA7-9500	LEVER COMP., LH.STEERING HANDLE	LH.½°Æ¼¼Ä, µ ÇÚµé ±±ö ÄPÇÁ	1	Y	20070425		KMYBA8BLS7C000001	
		12	53190-BA8-0000	LEVER ASS'Y. LH.HANDLE	LH.ÇÚµé ±±ö ¾Ñ¼¼ÄÄ	1	Y	20070425		KMYBA8BLS7C000001	
		13	53192-BA8-0000	BOLT, CLUTCH CABLE ADJUST	Á-Ä; ÄÉÀÏÿ ¾ÄÄ@½°Æ@ ¶¼Æ@	1	Y	20070425		KMYBA8BLS7C000001	
		14	88110-BA8-0000-M1	MIRROR ASS'Y. RH.BACK	RH.¼ö È' ¾Ñ¼¼ÄÄ	1	Y	20070425		KMYBA8BLS7C000001	
		15	88120-BA8-0000-M1	MIRROR ASS'Y. LH.BACK	LH.¼ö È' ¾Ñ¼¼ÄÄ	1	Y	20070425		KMYBA8BLS7C000001	
		16	90114-BA4-0000	BOLT, HANDLE LEVER PIVOT	ÇÚµé ±±ö ÇÇ°; ¶¼Æ@	1	Y	20070425		KMYBA8BLS7C000001	
		17	90321-BA8-0000	NUT, FIXING	ÇÈ¼Ä ¶ÈÆ@	1	Y	20070425		KMYBA8BLS7C000001	
		18	S3892-05028-08	SCREW, WASHER, 5x28	¼¼Ä ½°Ä@-ù 5x28	3	Y	20070425		KMYBA8BLS7C000001	
		19	S3892-05045-08	SCREW, WASHER, 5x45	¼¼Ä ½°Ä@-ù 5x45	1	Y	20070425		KMYBA8BLS7C000001	
		20	S4050-06080	NUT, FLANGE, 6mm	ÈÄ»Äö ¶ÈÆ@ 6mm	1	Y	20070425		KMYBA8BLS7C000001	
		21	S6700-08045-08	BOLT, SOCKET, 8x45	¼ÖÄÄ ¶¼Æ@ 8x45	2	Y	20070425		KMYBA8BLS7C000001	

F-04

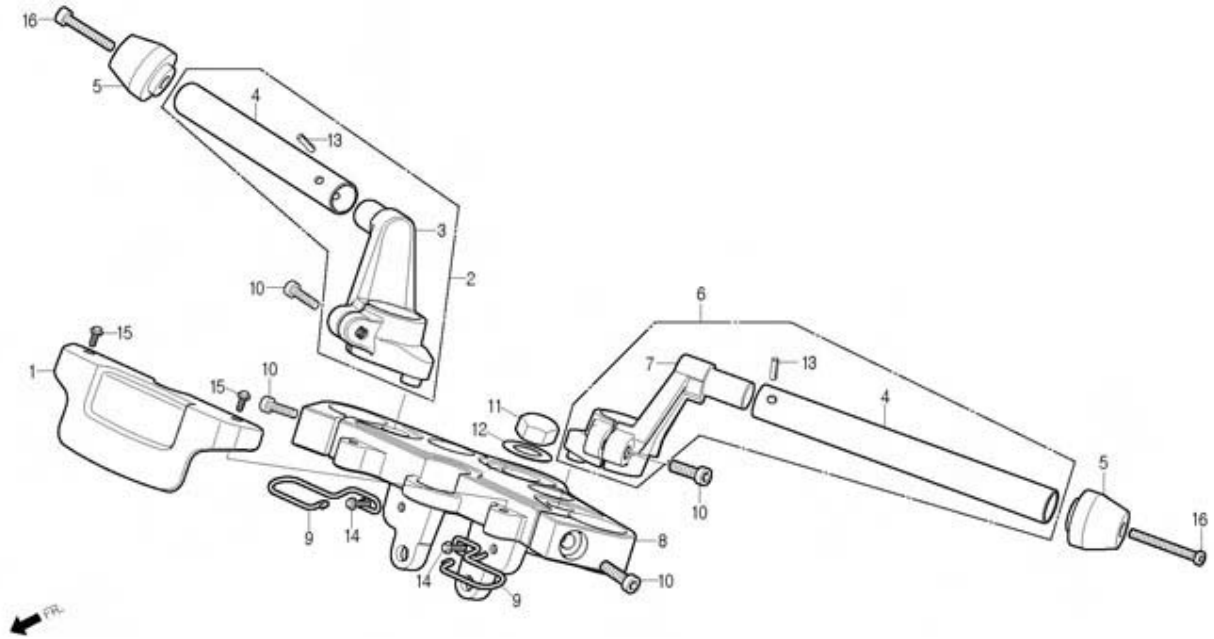
FRONT BRAKE MASTER CYLINDER



Service item	FRT	Ref. No.	Part No.	Description	QTY	EX	Start Date	End Date	Start FRM.No	End FRM.No
SWITCH ASS'Y, FR.STOP	0.1	1	35340-BA4-0000-M1	SWITCH ASS'Y, FR.STOP	1	Y	20070425		KMYBA8BLS7C000001	
LEVER COMP., RH.HANDLE	0.4	2	45126-BA8-0000	HOSE COMP., FR.BRAKE	1	Y	20070425		KMYBA8BLS7C000001	
DIAPHRAGM		3	45500-BA8-0000	CYLINDER ASS'Y, FR.MASTER	1	Y	20070425		KMYBA8BLS7C000001	
HOSE COMP., FR.BRAKE		4	45501-BA8-0000	BODY, MASTER CYLINDER	1	N	20070425		KMYBA8BLS7C000001	
CYLINDER ASS'Y, FR.MASTER		5	45512-BA4-0000-M1	PLATE, PROTECTOR	1	N	20070425		KMYBA8BLS7C000001	
PISTON SET, MASTER CYLINDER		6	45513-BA4-0000-M1	CAP, MASTER CYLINDER	1	N	20070425		KMYBA8BLS7C000001	
		7	45517-BA4-0000-M1	HOLDER, MASTER CYLINDER	1	N	20070425		KMYBA8BLS7C000001	
		8	45518-BA4-0000-M1	BOLT, MASTER CYLINDER HOLDER	2	N	20070425		KMYBA8BLS7C000001	
		9	45520-BA4-0000-M1	DIAPHRAGM	1	N	20070425		KMYBA8BLS7C000001	
		10	45521-BA4-0000-M1	PLATE, DIAPHRAGM	1	N	20070425		KMYBA8BLS7C000001	
		11	45530-BA4-0000	PISTON SET, MASTER CYLINDER	1	N	20070425		KMYBA8BLS7C000001	
		12	53175-BA4-0000-M1	LEVER COMP., RH.HANDLE	1	Y	20070425		KMYBA8BLS7C000001	
		13	90113-BA4-0000-M1	BOLT, HANDLE LEVER	1	N	20070425		KMYBA8BLS7C000001	
		14	90145-BA7-9000	OIL BOLT, 10x22	2	Y	20070425		KMYBA8BLS7C000001	
		15	90545-BA6-0000	WASHER, OIL BOLT	4	Y	20070425		KMYBA8BLS7C000001	
		16	S3600-04012-1G	SCREW, FLAT 4x12	2	N	20070425		KMYBA8BLS7C000001	
		17	S3893-04012-17	SCREW, WASHER, 4x12	1	N	20070425		KMYBA8BLS7C000001	
		18	S4050-06000	NUT, FLANGE, 6mm	1	N	20070425		KMYBA8BLS7C000001	
		19	S5701-06012-07	BOLT, FLANGE, 6x12	2	Y	20070425		KMYBA8BLS7C000001	

F-05

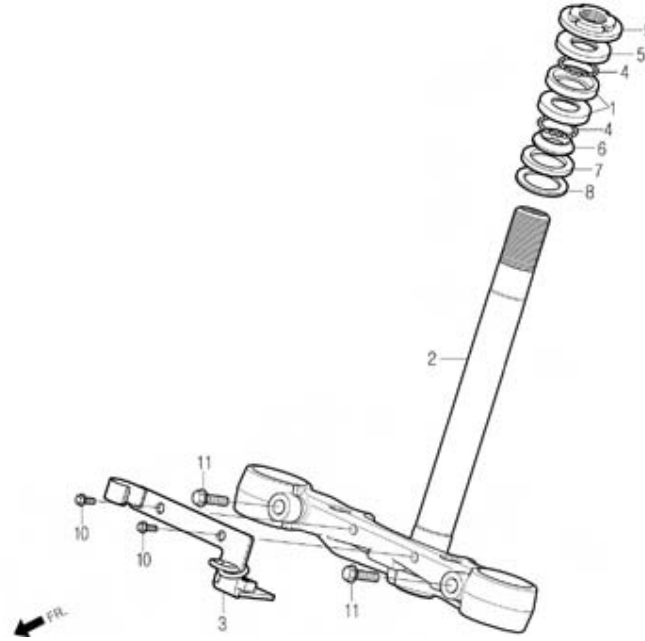
ÇÚµé ÆÄÄÌÇÁ / Á¼ ºē, Áö HANDLE PIPE / TOP BRIDGE



Á¼ñÇ×ñ Service item	FRT	Ref. No.	Part No.	Description	ºí Çº í	QTY AS	EX	Start Date	End Date	Start FRM.No	End FRM.No
PIPE COMP., RH.STEERING HANDLE	0.4	1	35105-BA8-0000	COVER, COMBI.SWITCH	Á¼ñ ½ºÄÄÌÇÁ; Á¼ö	1	Y	20070425		KMYBA8BLS7C000001	
PIPE COMP., LH.STEERING HANDLE	0.4	2	53100-BA8-0000	PIPE COMP., RH.STEERING HANDLE	RH.½ºÄÄÌÇÁ; µ ÇÚµé ÆÄÄÌÇÁ Á¼ÇÁ	1	Y	20070425		KMYBA8BLS7C000001	
BRIDGE, FORK TOP	0.6	3	53101-BA4-0000	BOSS, RH.HANDLE	RH.ÇÚµé º, ½º	1	N	20070425		KMYBA8BLS7C000001	
		4	53102-BA4-0000	BAR COMP., HANDLE	ÇÚµé 'Ü Á¼ÇÁ	2	Y	20070425		KMYBA8BLS7C000001	
		5	53106-BA8-0000	WEIGHT CAP, HANDLE	ÇÚµé çbÄÌÆ@ Ä,	2	Y	20070425		KMYBA8BLS7C000001	
		6	53150-BA4-0002	PIPE COMP., LH.STEERING HANDLE	LH.½ºÄÄÌÇÁ; µ ÇÚµé ÆÄÄÌÇÁ Á¼ÇÁ	1	Y	20070425		KMYBA8BLS7C000001	
		7	53151-BA4-0000	BOSS, LH.HANDLE	LH.ÇÚµé º, ½º	1	N	20070425		KMYBA8BLS7C000001	
		8	53230-BA4-0001	BRIDGE, FORK TOP	Æ±Á@ Äé ºē, 'Áö	1	Y	20070425		KMYBA8BLS7C000001	
		9	61314-BA8-0000	GUIDE, CABLE	ÄÄÄÌºí; Á¼µá	2	Y	20070425		KMYBA8BLS7C000001	
		10	90112-BA5-0000	BOLT, SOCKET 8x30	¼ÖÄÌ º¼Æ@ 8x30	4	Y	20070425		KMYBA8BLS7C000001	
		11	90304-HD2-0001	NUT, STEERING STEM	½ºÄÄÌÇÁ; µ ½ºÄÜ ºÉÆ@	1	Y	20070425		KMYBA8BLS7C000001	
		12	90503-BA4-0000	WASHER, STEERING STEM NUT(SUS)	½ºÄ×¾Ä; µ ½ºÄÜ ºÉÆ@ ç¼ÄÄ(SUS)	1	Y	20070425		KMYBA8BLS7C000001	
		13	S4305-25082	PIN, SPRING 2.5x8	½ºÇÁ; µ ÇÉ 2.5x8	2	N	20070425		KMYBA8BLS7C000001	
		14	S5701-06012-07	BOLT, FLANGE, 6x12	ÈÄ→Áö º¼Æ@ 6x12	2	Y	20070425		KMYBA8BLS7C000001	
		15	S6001-06016-07	BOLT, FLANGE, SH.6x16	ÈÄ→Áö º¼Æ@ SH 6x16	2	Y	20070425		KMYBA8BLS7C000001	
		16	S6700-08050-00	BOLT, SOCKET, 8x50	¼ÖÄÌ º¼Æ@ 8x50	2	Y	20070425		KMYBA8BLS7C000001	

F-06

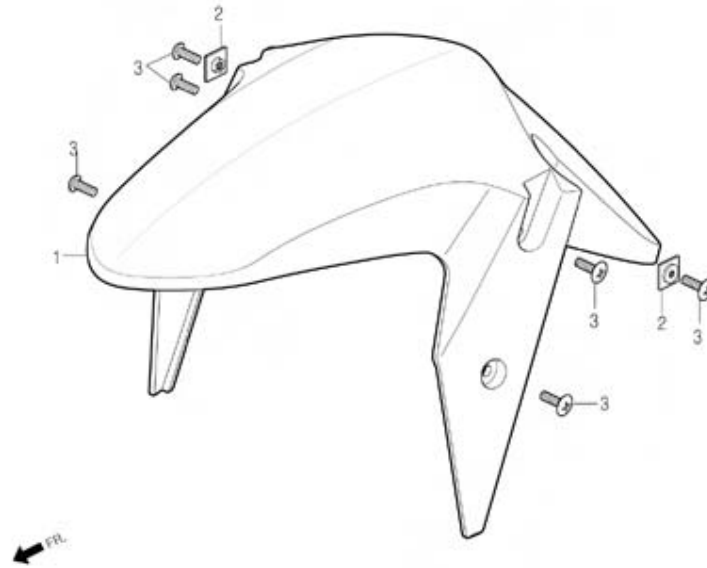
1/2" E 1/4" μ 1/2" Å Û STEERING STEM



Service item	FRT	Ref. No.	Part No.	Description	QTY	EX AS	Start Date	End Date	Start FRM.No	End FRM.No
STAY, FR.BRACKET HOSE	0.1	1	50301-CB2-0102	RACE, STEERING BALL	2	Y	20070425		KMYBA8BLS7C000001	
RACE, STEERING BALL	0.9	2	53200-BA4-0001-M1	STEM COMP., STEERING(SANYE)	1	Y	20070425		KMYBA8BLS7C000001	
RACE, STEERING BOTTOM CONE	1.2	3	53206-BA4-0000	STAY, FR.BRAKE HOSE	1	Y	20070425		KMYBA8BLS7C000001	
STEM COMP., STEERING	0.5	4	53210-BA6-9600	BALL ASS'Y, STEERING STEEL	2	Y	20070425		KMYBA8BLS7C000001	
RACE, STEERING TOP CONE		5	53211-CB2-0102	RACE, STEERING TOP CONE	1	Y	20070425		KMYBA8BLS7C000001	
THREAD COMP.,STEERING HEAD TOP		6	53212-BA6-0102	RACE, STEERING BOTTOM CONE	1	Y	20070425		KMYBA8BLS7C000001	
		7	53214-CB2-0101	DUST SEAL, STEERING HEAD	1	Y	20070425		KMYBA8BLS7C000001	
		8	53215-CB2-0002	WASHER, STEERING HEAD DUST-SEAL	1	Y	20070425		KMYBA8BLS7C000001	
		9	53220-BA6-0002	THREAD COMP., STEERING HEAD TOP	1	Y	20070425		KMYBA8BLS7C000001	
		10	S5701-06012-07	BOLT, FLANGE, 6x12	2	Y	20070425		KMYBA8BLS7C000001	
		11	S5801-08035-08	BOLT, FLANGE, 8x35	2	Y	20070425		KMYBA8BLS7C000001	

F-07

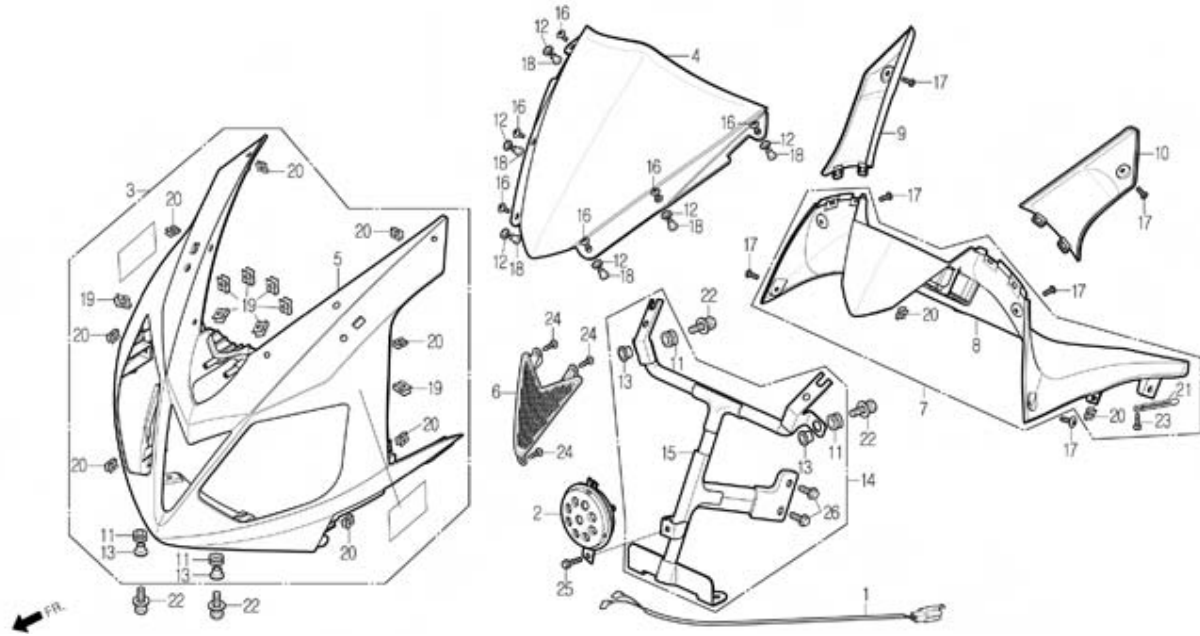
ÈÄ·ÐÆ® ÈÓÙ FRONT FENDER



Service item	FRT	Ref. No.	Part No.	Description	QTY	EX	Start Date	End Date	Start FRM.No	End FRM.No
FENDER, FR.	0.1	1	61100-BA8-0000-GB	FENDER, FR.(G/BLUE)	1	Y	20070425		KMYBA8BLS7C000001	
			61100-BA8-0000-IB	FENDER, FR.(I/BLUE)	1	Y	20070425		KMYBA8BLS7C000001	
			61100-BA8-0000-LR	FENDER, FR.(L/RED)	1	Y	20070425		KMYBA8BLS7C000001	
			61100-BA8-0000-WP	FENDER, FR.(P/WHITE)	1	Y	20070425		KMYBA8BLS7C000001	
		2	61102-BA4-0000	NUT, SPECIAL	2	Y	20070425		KMYBA8BLS7C000001	
		3	90110-SE5-0001	SCREW, SPECIAL 6x14	6	Y	20070425		KMYBA8BLS7C000001	

F-08

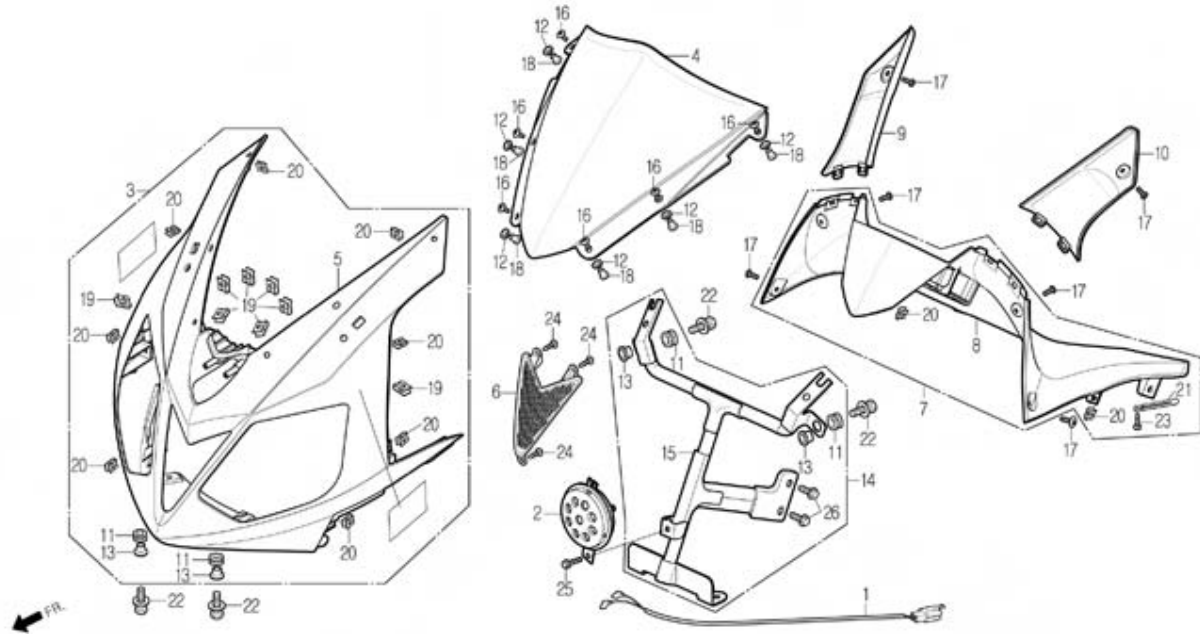
ÈÄ·ÐÆ® Ä«¿ì FRONT COWL



Ä«¿ìÇ×, ñ Service item	FRT	Ref. No.	Part No.	Description	°í Ç° í	QTY AS	EX	Start Date	End Date	Start FRM.No	End FRM.No
COWL ASS'Y, FR	0.5	1	32102-BA8-0000	SUB HARNESS, HORN	ÈŸ ¼-°è ÇÏ³×½°	1	Y	20070425		KMYBA8BLS7C000001	
PANEL ASS'Y, INNER	0.2	2	38110-BA4-0000	HORN COMP.	ÈŸ ÄÞÇÁ	1	Y	20070425		KMYBA8BLS7C000001	
STAY ASS'Y, FR COWL	0.7	3	6420A-BA8-RZ00-GB	COWL ASS'Y, FR.(G/BLUE)	ÈÄ·ÐÆ® Ä«¿ì ¾Ñ¼¼Äì(°ÈÄ«»è)	1	Y	20070425		KMYBA8BLS7C000001	
HORN COMP.	0.5		6420A-BA8-RZ00-IB	COWL ASS'Y, FR.(I/BLUE)	ÈÄ·ÐÆ® Ä«¿ì ¾Ñ¼¼Äì(ÄøÄ»è)	1	Y	20070425		KMYBA8BLS7C000001	
			6420A-BA8-RZ00-LR	COWL ASS'Y, FR.(L/RED)	ÈÄ·ÐÆ® Ä«¿ì ¾Ñ¼¼Äì(íÄè»è)	1	Y	20070425		KMYBA8BLS7C000001	
			6420A-BA8-RZ00-WP	COWL ASS'Y, FR.(P/WHITE)	ÈÄ·ÐÆ® Ä«¿ì ¾Ñ¼¼Äì(ÄøÄÓ'è»è)	1	Y	20070425		KMYBA8BLS7C000001	
		4	64201-BA8-0000	SCREEN, WIND	Äøµä ½°Ä©, °	1	Y	20070425		KMYBA8BLS7C000001	
		5	64204-BA8-0000-GB	FRONT COWL(G/BLUE)	ÈÄ·ÐÆ® Ä«¿ì(°ÈÄ«»è)	1	N	20070425		KMYBA8BLS7C000001	
			64204-BA8-0000-IB	FRONT COWL(I/BLUE)	ÈÄ·ÐÆ® Ä«¿ì(ÄøÄ»è)	1	N	20070425		KMYBA8BLS7C000001	
			64204-BA8-0000-LR	FRONT COWL(L/RED)	ÈÄ·ÐÆ® Ä«¿ì(íÄè»è)	1	N	20070425		KMYBA8BLS7C000001	
			64204-BA8-0000-WP	FRONT COWL(P/WHITE)	ÈÄ·ÐÆ® Ä«¿ì(ÄøÄÓ'è»è)	1	N	20070425		KMYBA8BLS7C000001	
		6	64206-BA8-0000	FRONT GRILL	ÈÄ·ÐÆ® ±×, ±	1	Y	20070425		KMYBA8BLS7C000001	
		7	6421A-BA8-0000	PANEL ASS'Y, INNER	ÄÏÈ ÆÇ³Ú ¾Ñ¼¼Äì	1	Y	20070425		KMYBA8BLS7C000001	
		8	64210-BA8-0000	INNER PANEL	ÄÏÈ ÆÇ³Ú	1	N	20070425		KMYBA8BLS7C000001	
		9	64211-BA8-0000	RH, SUB PANEL	RH.¼-°è ÆÇ³Ú	1	Y	20070425		KMYBA8BLS7C000001	
		10	64212-BA8-0000	LH, SUB PANEL	LH.¼-°è ÆÇ³Ú	1	Y	20070425		KMYBA8BLS7C000001	
		11	64212-X10-0000	RUBBER, FR.COWL MOUNT	ÈÄ·ÐÆ® Ä«¿ì ¼¼íÈ® -'è	4	Y	20070425		KMYBA8BLS7C000001	
		12	64213-BA8-0000	RUBBER B, WIND SCREEN	Äøµä ½°Ä©, ° -°è B	6	Y	20070425		KMYBA8BLS7C000001	
		13	64213-X10-0000	COLLAR, FR.COWL SETTING	ÈÄ·ÐÆ® Ä«¿ì ¼¼ÄÈÄ Ä®¼è	4	N	20070425		KMYBA8BLS7C000001	
		14	6423A-BA8-0000	STAY ASS'Y, FR.COWL	ÈÄ·ÐÆ® Ä«¿ì ½°Ä×Äì ¾Ñ¼¼Äì	1	Y	20070425		KMYBA8BLS7C000001	
		15	64230-BA8-0000	STAY COMP., FR.COWL	ÈÄ·ÐÆ® Ä«¿ì ½°Ä×Äì ÄÞÇÁ	1	N	20070425		KMYBA8BLS7C000001	
		16	90111-BA8-0000	SCREW, WIND SCREEN SETTING	Äøµä ½°Ä©, ° ¼¼ÄÈÄ ½°Ä©-ù	6	Y	20070425		KMYBA8BLS7C000001	

F-08

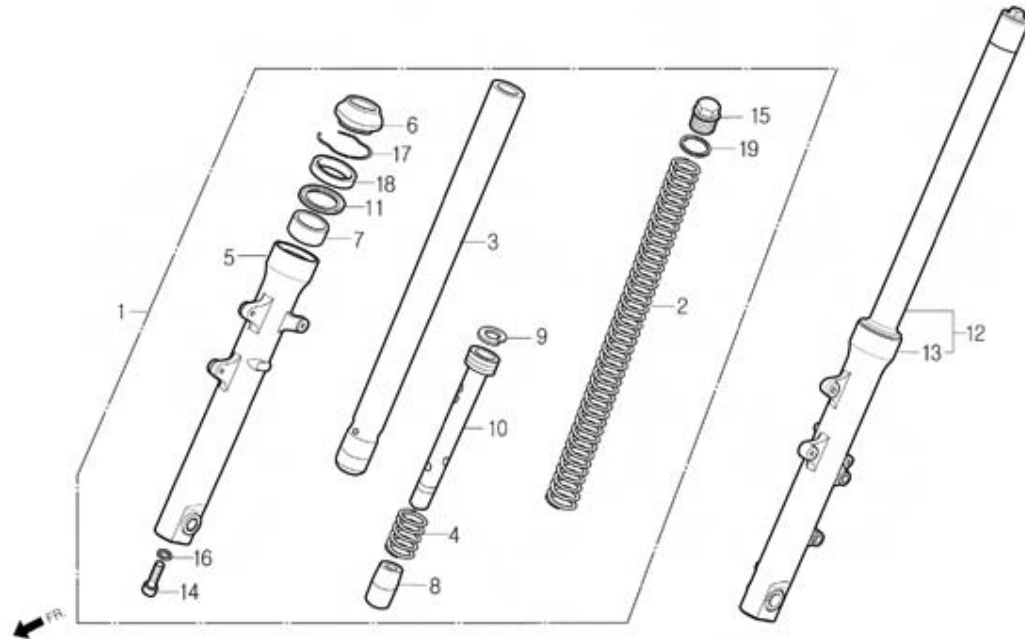
ÈÄ·ÐÆ® Ä«Çİ FRONT COWL



Á«ñÇ×ñ Service item	FRT	Ref. No.	Part No.	Description	İ Ç° İ	QTY AS	EX	Start Date	End Date	Start FRM.No	End FRM.No
		17	90192-SA8-0000	SCREW, SPECIAL 5x12	½ÆÄ¼È ½ÆÄ©-ù 5x12	6	Y	20070425		KMYBA8BLS7C000001	
		18	90202-BA8-0000	NUT, WIND SCREEN SETTING	Ä©µä ½ÆÄ©, ° ¼ÄÆÄ ³ÈÆ®	6	Y	20070425		KMYBA8BLS7C000001	
		19	90305-SE5-1001	NUT, CLIP 6mm	Ä-³³ÈÆ® 6mm	8	Y	20070425		KMYBA8BLS7C000001	
		20	90677-SE5-0030	NUT, CLIP 5mm	Ä-³³ÈÆ® 5mm	10	Y	20070425		KMYBA8BLS7C000001	
		21	91411-BA6-9600	CLIP, 2x90	Ä-³ 2x90	1	Y	20070425		KMYBA8BLS7C000001	
		22	S3404-06028-08	BOLT, WASHER 6x28	¿¼Ä ¾Æ® 6x28	4	Y	20070425		KMYBA8BLS7C000001	
		23	S3903-25220	SCREW, TAPPING 5x12	ÄÇÇİ ½ÆÄ©-ù 5x12	1	Y	20070425		KMYBA8BLS7C000001	
		24	S3903-34320	SCREW, TAPPING 4X12	ÄÇÇİ ½ÆÄ©-ù 4x12	3	Y	20070425		KMYBA8BLS7C000001	
		25	S5701-06012-07	BOLT, FLANGE, 6x12	ÈÄ»Äö ¾Æ® 6x12	1	Y	20070425		KMYBA8BLS7C000001	
		26	S5701-08016-08	BOLT, FLANGE, 8x16	ÈÄ»Äö ¾Æ® 8x16	2	Y	20070425		KMYBA8BLS7C000001	

F-09

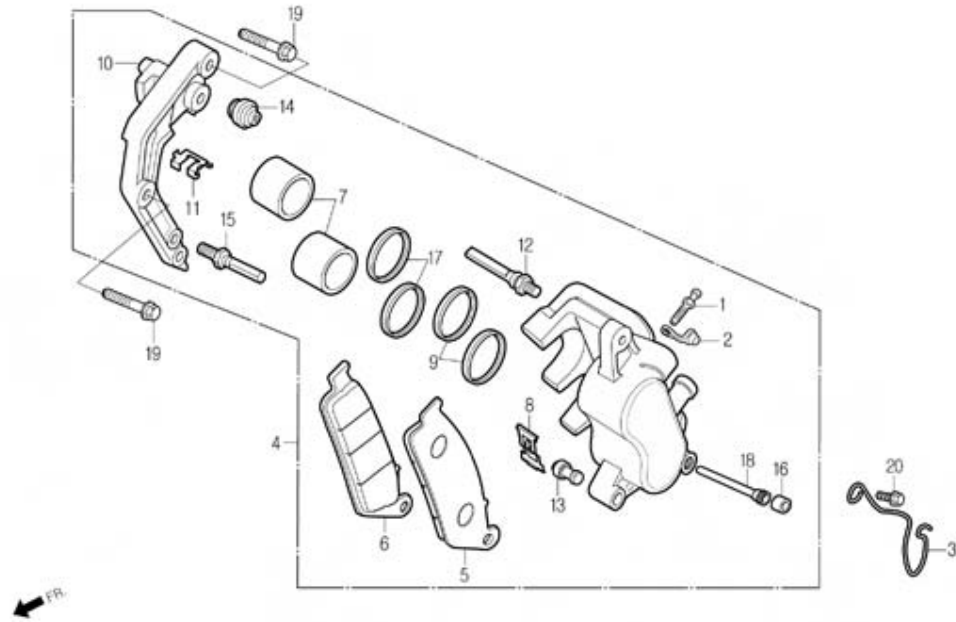
ÈÄ-ÐÆ® Æ÷À© FRONT FORK



ÁªñÇ×ñ Service item	FRT	Ref. No.	Part No.	Description	í Ç ÿ	QTY AS	EX	Start Date	End Date	Start FRM.No	End FRM.No
FORK ASS'Y, FR. (ADD 0.1 FOR EACH) SPRING, FR.FORK PIPE COMP., FORK (ADD 0.4 FOR EACH) CASE, BOTTOM (ADD 0.5 FOR EACH)	0.4	1	51400-BA4-0010	FORK ASS'Y, RH.FR.	RH.ÈÄ-ÐÆ® Æ÷À© ¾N¼¼ÀÌ	1	Y	20070425		KMYBA8BLS7C000001	
	0.2	2	51401-BA4-0000	SPRING, FR.FORK	ÈÄ-ÐÆ® Æ÷À© ½ÇÁ,µ	2	N	20070425		KMYBA8BLS7C000001	
	0.6	3	51410-BA4-0000	PIPE COMP., FORK	Æ÷À© ÆÄÄÌÇÁ ÆÐÇÁ	2	N	20070425		KMYBA8BLS7C000001	
	0.7	4	51412-BA5-9000	SPRING, REBOUND	®Ü;µà ½ÇÁ,µ	2	N	20070425		KMYBA8BLS7C000001	
		5	51420-BA4-0011	CASE, RH.BOTTOM	RH.º,ÀÓ ÁÉÄ½º	1	N	20070425		KMYBA8BLS7C000001	
		6	51425-BA5-9000	SEAL, DUST	½ºÆ® ½ÄÄÌ	2	Y	20070425		KMYBA8BLS7C000001	
		7	51427-BA5-9000	BUSH, GUIDE	ºÄÌµà ½º	2	N	20070425		KMYBA8BLS7C000001	
		8	51432-BA5-9000	PIECE, OIL LOCK	¿ÄÄÌ-ÌÁ© ÇÇ½º	2	N	20070425		KMYBA8BLS7C000001	
		9	51437-BA5-9000	RING, PISTON	ÇÇ½ºÆe,µ	2	N	20070425		KMYBA8BLS7C000001	
		10	51440-BA4-0000	PIPE, SEAT	½ÄÆ® ÆÄÄÌÇÁ	2	N	20070425		KMYBA8BLS7C000001	
		11	51441-BA5-9000	RING, BACK UP	¼¾÷,µ	2	N	20070425		KMYBA8BLS7C000001	
		12	51500-BA4-0010	FORK ASS'Y, LH.FR.	LH.ÈÄ-ÐÆ® Æ÷À© ¾N¼¼ÀÌ	1	Y	20070425		KMYBA8BLS7C000001	
		13	51520-BA4-0011	CASE, LH.BOTTOM	LH.º,ÀÓ ÁÉÄ½º	1	N	20070425		KMYBA8BLS7C000001	
		14	90116-BA6-7210-M1	BOLT, SOCKET 8mm	¼ÓÄÌ ¼¼Æ® 8mm	2	N	20070425		KMYBA8BLS7C000001	
		15	90123-BA5-9000	BOLT, FR.FORK	ÈÄ-ÐÆ® Æ÷À© ¼¼Æ®	2	N	20070425		KMYBA8BLS7C000001	
		16	90544-HD2-0002	WASHER, SPECIAL 8mm	½ºÆe¼É ¿¼Ä 8mm	2	Y	20070425		KMYBA8BLS7C000001	
		17	90601-BA5-9000	RING, OIL SEAL STOP	¿ÄÄÌ ½ÄÄÌ ½ºÆe,µ	2	N	20070425		KMYBA8BLS7C000001	
		18	91255-BA5-9000	SEAL, OIL	¿ÄÄÌ ½ÄÄÌ	2	Y	20070425		KMYBA8BLS7C000001	
		19	91356-BA5-9000	O-RING	¿Ä-,µ	2	Y	20070425		KMYBA8BLS7C000001	

F-10

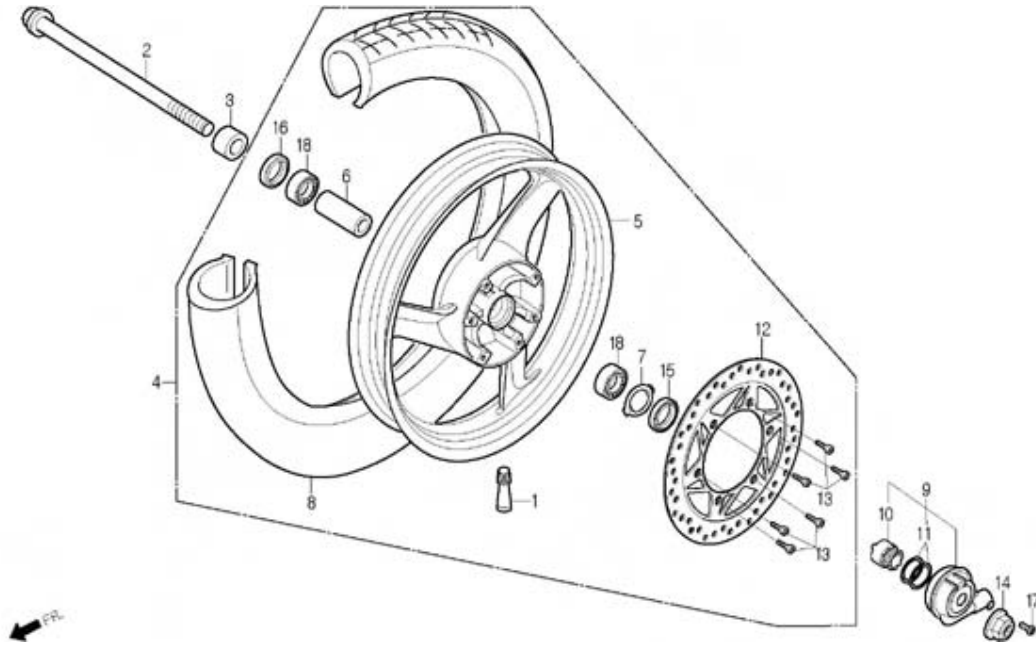
ÈÄ·ÐÆ@ °e·ÀÌÁ© Ä¶, @ÆÛ FRONT BRAKE CALIPER



ÁæñÇ×, ñ Service item	FRT	Ref. No.	Part No.	Description	¶ Ç° í	QTY AS	EX	Start Date	End Date	Start FRM.No	End FRM.No
CALIPER ASS'Y, L.H.FR.	0.4	1	43352-BA5-9000-M1	BLEEDER(DC)	°e, @ °(DC)	1	N	20070425		KMYBA8BLS7C000001	
PAD COMP.	0.1	2	43353-BA5-9000-M1	CAP, BLEEDER(DC)	¶í, @ ° Æ, (DC)	1	N	20070425		KMYBA8BLS7C000001	
BRACKET, CALIPER	0.2	3	44832-BA5-0002	CLAMP, SPEEDOMETER CABLE	½°ÇÇµµ, ÐÁÍ ÁÉÁÍ¶í Á →¶ÇÁ	1	Y	20070425		KMYBA8BLS7C000001	
PISTON	0.5	4	45100-BA5-RB00	CALIPER ASS'Y, L.H.FR.	LH.ÈÄ·ÐÆ@ Ä¶, @ÆÛ ¾N¼¼ÄÌ	1	Y	20070425		KMYBA8BLS7C000001	
(ADD 0.1 FOR EACH) (INCLUDE RELATIVE PARTS)		5	45105-BA5-RB10-M1	PAD COMP. A(DC)	ÆÐµä ÄÞÇÁ A(DC)	1	Y	20070425		KMYBA8BLS7C000001	
		6	45106-BA5-RB10-M1	PAD COMP. B(DC)	ÆÐµä ÄÞÇÁ B(DC)	1	Y	20070425		KMYBA8BLS7C000001	
		7	45107-BA5-9000-M1	PISTON(DC)	ÇÇ½°Áæ(DC)	2	N	20070425		KMYBA8BLS7C000001	
		8	45108-BA5-9000-M1	SPRING, PAD(DC)	ÆÐµä ½°ÇÁ, µ(DC)	1	N	20070425		KMYBA8BLS7C000001	
		9	45109-BA5-9000-M1	SEAL, DUST(DC)	°½°Æ@ ½°ÄÁÍ(DC)	2	N	20070425		KMYBA8BLS7C000001	
		10	45110-BA5-9000-M1	BRACKET, CALIPER(DC)	Ä¶, @ÆÛ °e¶óÁÍ(DC)	1	Y	20070425		KMYBA8BLS7C000001	
		11	45112-BA5-9000-M1	RETAINER(DC)	, @Ä×ÀÞÈ(DC)	1	N	20070425		KMYBA8BLS7C000001	
		12	45131-BA5-9000-M1	BOLT, PIN(DC)	ÇÈ °¼Æ@ (DC)	1	N	20070425		KMYBA8BLS7C000001	
		13	45132-BA5-9000-M1	BOOT, PIN BUSH(DC)	ÇÈ °½- °Æ@ (DC)	1	N	20070425		KMYBA8BLS7C000001	
		14	45133-BA5-9000-M1	PIN, BOOT(DC)	ÇÈ °Æ@ (DC)	1	N	20070425		KMYBA8BLS7C000001	
		15	45135-BA5-9000-M1	BOLT, PIN A (DC)	ÇÈ °¼Æ@ A(DC)	1	N	20070425		KMYBA8BLS7C000001	
		16	45203-BA5-9000-M1	PLUG, PIN(DC)	ÇÈ ÇÄ·±×(DC)	1	N	20070425		KMYBA8BLS7C000001	
		17	45209-BA5-9000-M1	SEAL, PISTON(DC)	ÇÇ½°Áæ ½°ÄÁÍ(DC)	2	N	20070425		KMYBA8BLS7C000001	
		18	45215-BA5-9000-M1	PIN, HANGER(DC)	Çó°Ä ÇÈ(DC)	1	N	20070425		KMYBA8BLS7C000001	
		19	90101-BA4-0000	BOLT, SPECIAL FLANGE 8x31	½°Æá¼È ÈÄ» Áð °¼Æ@ 8x31	2	Y	20070425		KMYBA8BLS7C000001	
		20	S5701-06012-07	BOLT, FLANGE, 6x12	ÈÄ» Áð °¼Æ@ 6x12	1	Y	20070425		KMYBA8BLS7C000001	

F-11

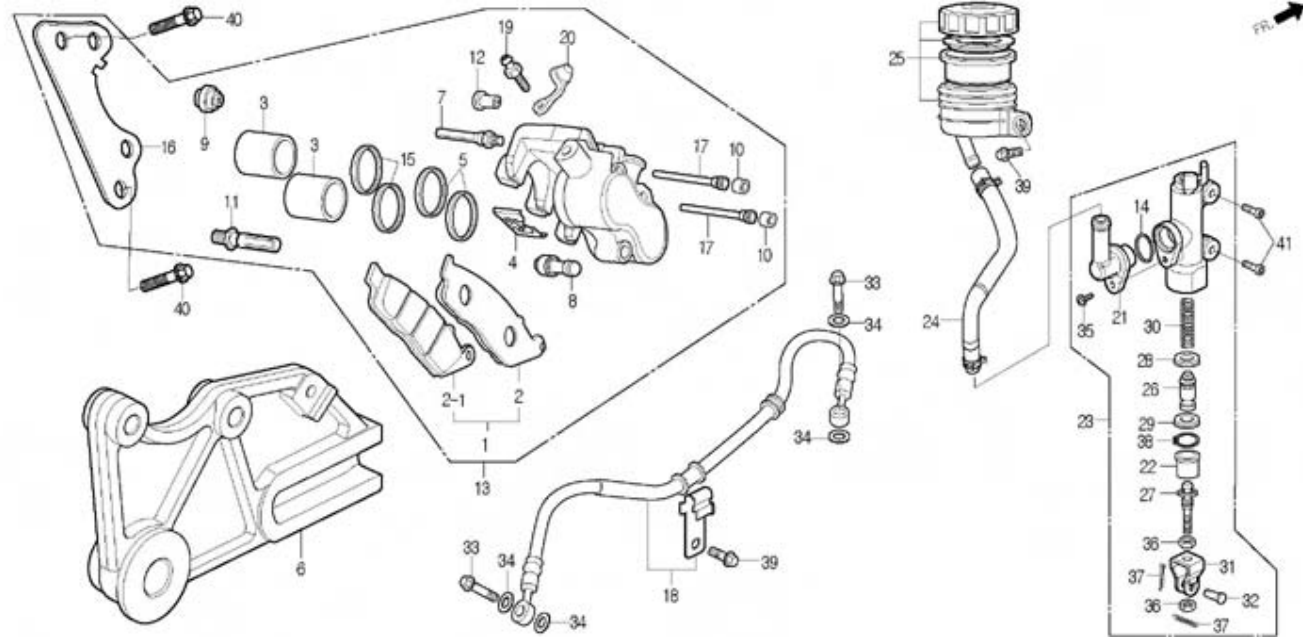
ÈÄ-ÐÆ@ ÈÙ FRONT WHEEL



Service item	FRT	Ref. No.	Part No.	Description	QTY	EX AS	Start Date	End Date	Start FRM.No	End FRM.No
AXLE, FR.WHEEL	0.2	1	42753-BA7-0000	VALVE, RIM TR413	1	Y	20070425		KMYBA8BLS7C000001	
WHEEL, FR.CASTING	0.7	2	44301-BA4-0000	AXLE, FR.WHEEL	1	Y	20070425		KMYBA8BLS7C000001	
TIRE, FR.	0.9	3	44311-BA5-0000	COLLAR, FR.WHEEL SIDE	1	Y	20070425		KMYBA8BLS7C000001	
COLLAR, FR.DISTANCE	0.6	4	44600-BA4-0010	WHEEL ASS'Y, FR.	1	Y	20070425		KMYBA8BLS7C000001	
BEARING, RADIAL BALL 6302U (ADD 0.1 FOR EACH)	0.2	5	44601-BA4-0010	WHEEL, FR.CASTING(OPAQUE BLACK)	1	Y	20070425		KMYBA8BLS7C000001	
BOX ASSY, SPEEDOMETER GEAR	0.4	6	44620-BA5-9001	COLLAR, FR.DISTANCE	1	Y	20070425		KMYBA8BLS7C000001	
DISK, LH.FR.BRAKE		7	44680-BA6-0002	RETAINER, GEAR BOX	1	Y	20070425		KMYBA8BLS7C000001	
		8	44711-BA4-0000-M1	TIRE, FR.	1	Y	20070425		KMYBA8BLS7C000001	
		9	44800-BA4-0000-M1	BOX ASS'Y, SPEEDOMETER GEAR	1	Y	20070425		KMYBA8BLS7C000001	
		10	44806-BA4-0000-M1	GEAR, SPEEDOMETER	1	N	20070425		KMYBA8BLS7C000001	
		11	44809-BA6-0000-M3	WASHER, GEAR	2	N	20070425		KMYBA8BLS7C000001	
		12	45351-BA4-0000-M1	DISK, LH.FR.BRAKE	1	Y	20070425		KMYBA8BLS7C000001	
		13	90106-BA5-0001	BOLT, FR.DISK 8x24	6	Y	20070425		KMYBA8BLS7C000001	
		14	90305-CB2-0031	NUT, U 14mm	1	Y	20070425		KMYBA8BLS7C000001	
		15	91257-BA6-0031	SEAL, OIL 28x42x7	1	Y	20070425		KMYBA8BLS7C000001	
		16	91258-BA6-0061	SEAL, DUST 40x50x5	1	Y	20070425		KMYBA8BLS7C000001	
		17	S3700-05016-0G	SCREW, OVAL 5x16	1	Y	20070425		KMYBA8BLS7C000001	
		18	S6140-63020-10	BEARING, RADIAL BALL 6302U	2	Y	20070425		KMYBA8BLS7C000001	

F-12

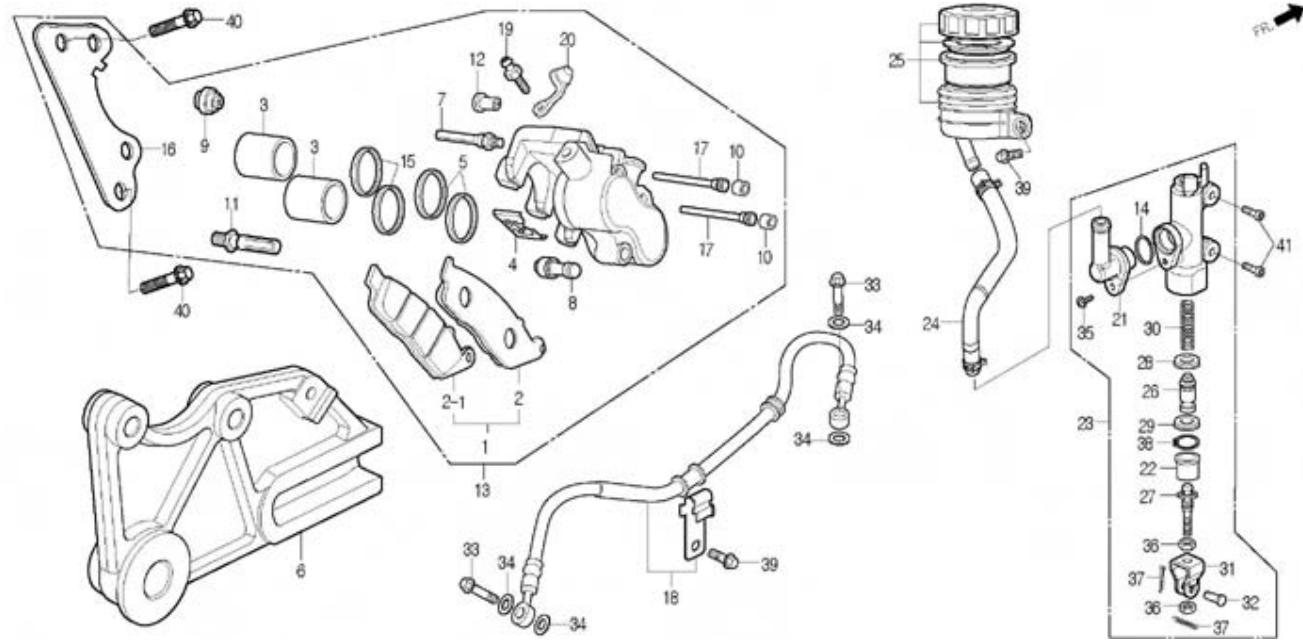
REAR BRAKE CALIPER



Service item	FRT	Ref. No.	Part No.	Description	QTY	EX AS	Start Date	End Date	Start FRM.No	End FRM.No
BRACKET, RR.CALIPER	0.3	1	4310A-BA4-0000-M1	PAD SET, RR.BRAKE	1	Y	20070425		KMYBA8BLS7C000001	
HOSE COMP., RR.BRAKE	0.2	2	43105-BA4-0002-M1	PAD COMP., INNER	1	N	20070425		KMYBA8BLS7C000001	
MASTER CYLINDER ASS'Y, RR (INCLUDE RELATIVE PARTS)	0.4	2-1	43106-BA4-0002-M1	PAD COMP., OUTER	1	N	20070425		KMYBA8BLS7C000001	
HOSE COMP., RR.MASTER CYLINDER	0.1	3	43107-BA4-0000-M1	PISTON	2	N	20070425		KMYBA8BLS7C000001	
PAD SET	0.4	4	43108-BA4-0000-M1	SPRING, PAD	1	N	20070425		KMYBA8BLS7C000001	
CALIPER ASS'Y, RR.	0.5	5	43109-BA4-0000-M1	SEAL, DUST	2	N	20070425		KMYBA8BLS7C000001	
PISTON (ADD 0.1 FOR EACH)	0.3									
BRACKET, CALIPER	0.2	6	43110-BA4-0010	BRACKET, RR.CALIPER	1	Y	20070425		KMYBA8BLS7C000001	
ASS'Y, RR.RESERVOIR		7	43131-BA4-0001-M1	BOLT, PIN	1	N	20070425		KMYBA8BLS7C000001	
		8	43132-BA4-0000-M1	BUSH, BOOT PIN	1	N	20070425		KMYBA8BLS7C000001	
		9	43133-BA4-0000-M1	BOOT, PIN	1	N	20070425		KMYBA8BLS7C000001	
		10	43134-BA4-0000-M1	PLUG, DUST	2	N	20070425		KMYBA8BLS7C000001	
		11	43135-BA4-0000-M1	BOLT A, PIN	1	N	20070425		KMYBA8BLS7C000001	
		12	43137-BA4-0000-M1	PAD, HANGER PIN	1	N	20070425		KMYBA8BLS7C000001	
		13	43150-BA4-0001-M1	CALIPER ASS'Y, RR.	1	Y	20070425		KMYBA8BLS7C000001	
		14	43203-BA4-0000-M1	O RING	1	N	20070425		KMYBA8BLS7C000001	
		15	43209-BA4-0000-M1	SEAL, PISTON	2	N	20070425		KMYBA8BLS7C000001	
		16	43210-BA4-0000-M1	BRACKET, CALIPER	1	Y	20070425		KMYBA8BLS7C000001	
		17	43215-BA4-0000-M1	PIN, HANGER	2	N	20070425		KMYBA8BLS7C000001	
		18	43310-BA4-0000-M1	HOSE COMP., RR.BRAKE	1	Y	20070425		KMYBA8BLS7C000001	
		19	43352-BA4-0000-M1	BLEEDER	1	N	20070425		KMYBA8BLS7C000001	
		20	43353-BA4-0000-M1	CAP, BLEEDER	1	N	20070425		KMYBA8BLS7C000001	

F-12

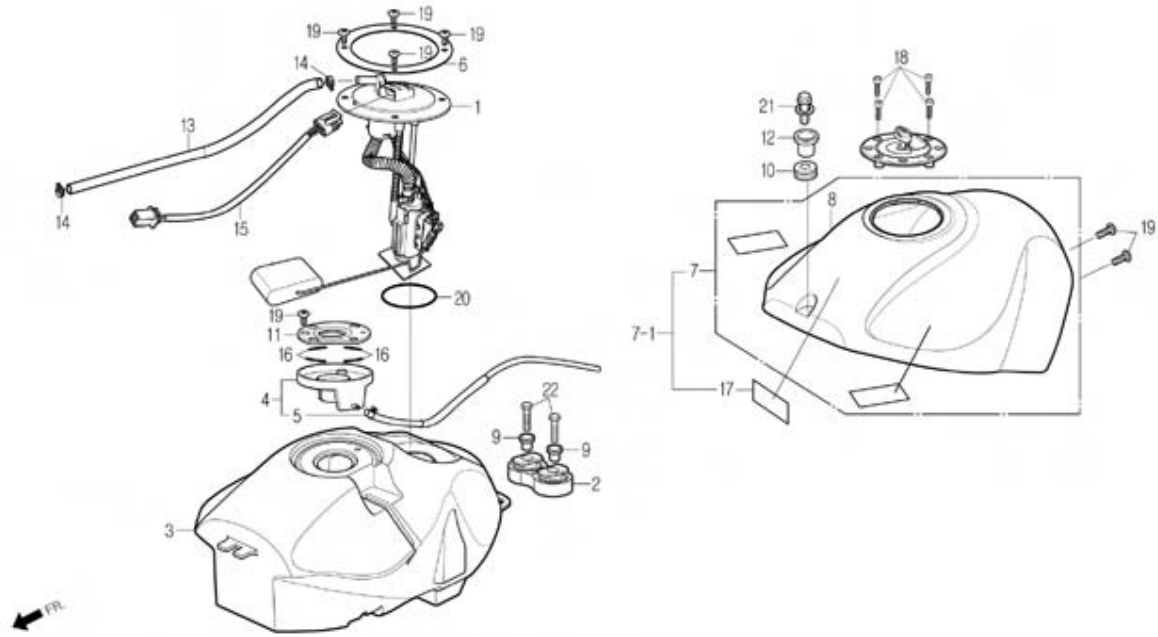
REAR BRAKE CALIPER



Service item	FRT	Ref. No.	Part No.	Description	Unit	QTY	EX AS	Start Date	End Date	Start FRM.No	End FRM.No
		21	43503-BA4-0000-M1	PIPE, TUBE JOINT	Æ°e Á¶ÁÆ° EÄÀìÇÁ	1	N	20070425			KMYBA8BLS7C000001
		22	43504-BA4-0000-M1	BOOT COMP.	¶Æ° ÁPÇÁ	1	N	20070425			KMYBA8BLS7C000001
		23	43510-BA4-0002-M1	MASTER CYLINDER ASS'Y, RR.	°¶í, ¶½Áì ½Ç, °ó ¾Ñ¼¼Áì	1	Y	20070425			KMYBA8BLS7C000001
		24	43512-BA4-0000	HOSE COMP., RR.MASTER CYLINDER	°¶í, ¶½Áì ½Ç, °ó ÈÈ½° ÁPÇÁ	1	Y	20070425			KMYBA8BLS7C000001
		25	4352A-BA4-0000	RESERVOIR ASS'Y, RR.	°¶í, °Á°ó ¾Ñ¼¼Áì	1	Y	20070425			KMYBA8BLS7C000001
		26	43521-BA4-0000-M1	RR.PISTON	°¶í ÇÇ½°Áæ	1	N	20070425			KMYBA8BLS7C000001
		27	43530-BA4-0000-M1	ROD COMP., RR.BRAKE	°¶í °-¹Áì° -ìµá ÁPÇÁ	1	N	20070425			KMYBA8BLS7C000001
		28	45502-BA4-0000-M1	CUP, SECONDARY	¼¼Áµá ° ÁÁ	1	N	20070425			KMYBA8BLS7C000001
		29	45503-BA4-0000-M1	CUP, PRIMARY	ÇÁ°óÁì, Ó, ° ÁÁ	1	N	20070425			KMYBA8BLS7C000001
		30	45508-BA4-0000-M1	SPRING	½°ÇÁ, µ	1	N	20070425			KMYBA8BLS7C000001
		31	46504-BA4-0000-M1	JOINT, BRAKE ROD	°-¹Áì° -ìµá Á¶ÁÆ°	1	N	20070425			KMYBA8BLS7C000001
		32	46505-BA4-0000-M1	PIN C, JOINT	Á¶ÁÆ° ÇÉ C	1	N	20070425			KMYBA8BLS7C000001
		33	90145-BA7-9000	OIL BOLT, 10x22	¿ÁÁì °¼Æ° 10x22	2	Y	20070425			KMYBA8BLS7C000001
		34	90545-BA6-0000	WASHER, OIL BOLT	¿ÁÁì °¼Æ° ¿¼¼Á	4	Y	20070425			KMYBA8BLS7C000001
		35	S3893-04012-18	SCREW, WASHER, 4x12	¿¼¼Á ½°Á°-ù 4x12	1	N	20070425			KMYBA8BLS7C000001
		36	S4002-08000-0S	NUT, HEX, 8mm	Ç½° ³ÈÆ° 8mm	2	Y	20070425			KMYBA8BLS7C000001
		37	S4201-20150	PIN, SPLIT 2.0X15	½°ÇÁ, ° ÇÉ 2.0x15	2	Y	20070425			KMYBA8BLS7C000001
		38	S4520-21000	CIR CLIP, INTERNAL 21mm	ÁÁÁí ¼-Á-³ 21mm	1	N	20070425			KMYBA8BLS7C000001
		39	S5701-06012-08	BOLT, FLANGE, 6x12	ÈÁ-»Áó °¼Æ° 6x12	2	Y	20070425			KMYBA8BLS7C000001
		40	S5801-08025-00	BOLT, FLANGE, 8x25	ÈÁ-»Áó °¼Æ° 8x25	2	Y	20070425			KMYBA8BLS7C000001
		41	S6700-06022-10	BOLT, SOCKET, 6x22	¼ÖÁì °¼Æ° 6x22	2	Y	20070425			KMYBA8BLS7C000001

F-13

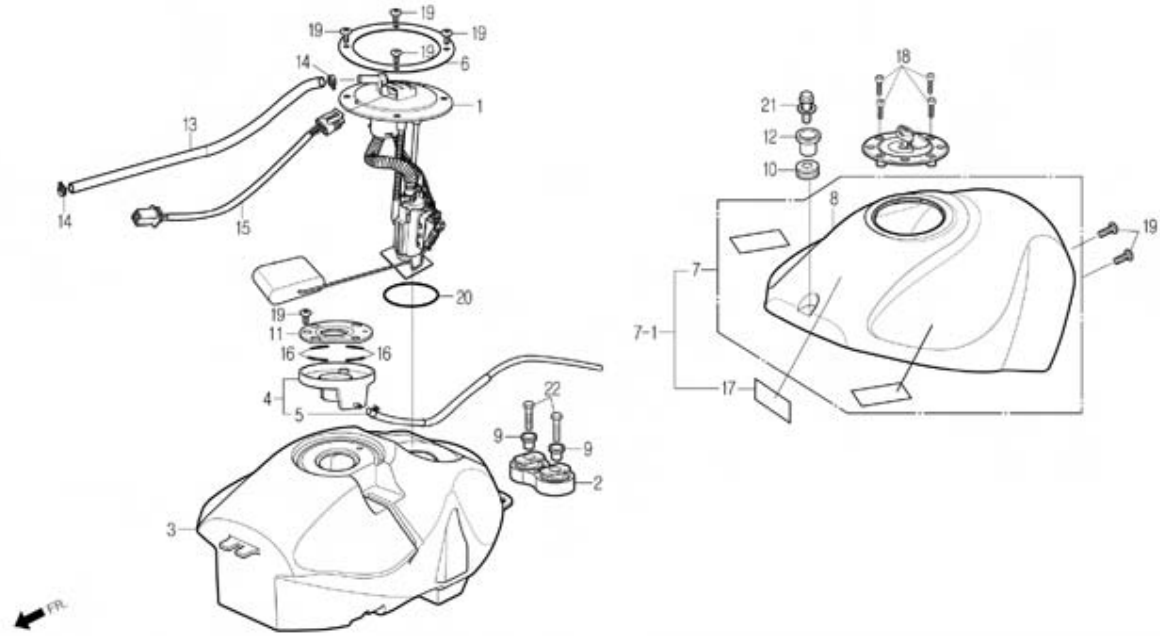
ÈPçµ ÁÈÁ© FUEL TANK



ÁµñÇ×ñ Service item	FRT	Ref. No.	Part No.	Description	µ Ç í	QTY AS	EX	Start Date	End Date	Start FRM.No	End FRM.No
PUMP ASS'Y, FUEL	0.2	1	16700-BA8-0000-M1	PUMP ASS'Y, FUEL	ÈPçµ ÆBCÁ ¾N¼¼ÁÌ	1	Y	20070425		KMYBA8BLS7C000001	
TANK COVER, FUEL	0.2	2	17508-BA4-0001	CUSHION, FUEL TANK CENTER	ÈPçµ ÁÈÁ© ¼¾ÁÌ ÁP¼Ç	1	Y	20070425		KMYBA8BLS7C000001	
TANK COMP., FUEL	0.2	3	17510-BA4-R301	TANK COMP., FUEL	ÈPçµ ÁÈÁ© ÁPÇÁ	1	Y	20070425		KMYBA8BLS7C000001	
		4	17513-BA4-0001	NECK ASS'Y, FUEL CAP	ÈPçµ Á, ¾ ¾N¼¼ÁÌ	1	Y	20070425		KMYBA8BLS7C000001	
		5	17514-BA4-0000	TUBE ASS'Y, VINYL 9x900	ñ Ö Æ©è ¾N¼¼ÁÌ 9x900	1	N	20070425		KMYBA8BLS7C000001	
		6	17514-SA4-R300	PLATE, FUEL PUMP SETTING	ÈPçµ ÆBCÁ ¼ÁÈÁ ÇÁ¼ÁÈ©	1	N	20070425		KMYBA8BLS7C000001	
		7	1752A-BA8-RZ00-GB	COVER ASS'Y, TANK(G/BBLUE)	ÁÈÁ© Á¼¼ ¾N¼¼ÁÌ(ÇÈÁµ»è)	1	Y	20070425		KMYBA8BLS7C000001	
			1752A-BA8-RZ00-IB	COVER ASS'Y, TANK(I/BLUE)	ÁÈÁ© Á¼¼ ¾N¼¼ÁÌ(ÁèÁµ»è)	1	Y	20070425		KMYBA8BLS7C000001	
			1752A-BA8-RZ00-LR	COVER ASS'Y, TANK(L/RED)	ÁÈÁ© Á¼¼ ¾N¼¼ÁÌ(íÁè»è)	1	Y	20070425		KMYBA8BLS7C000001	
			1752A-BA8-RZ00-WP	COVER ASS'Y, TANK(P/WHITE)	ÁÈÁ© Á¼¼ ¾N¼¼ÁÌ(ÁèÁÖ¼è»è)	1	Y	20070425		KMYBA8BLS7C000001	
		7-1	1752A-BA8-RA00-GB	COVER ASS'Y, TANK(G/BBLUE)	ÁÈÁ© Á¼¼ ¾N¼¼ÁÌ(ÇÈÁµ»è)	1	Y	20070425		KMYBA8BLS7C000001	
			1752A-BA8-RA00-IB	COVER ASS'Y, TANK(I/BLUE)	ÁÈÁ© Á¼¼ ¾N¼¼ÁÌ(ÁèÁµ»è)	1	Y	20070425		KMYBA8BLS7C000001	
			1752A-BA8-RA00-LR	COVER ASS'Y, TANK(L/RED)	ÁÈÁ© Á¼¼ ¾N¼¼ÁÌ(íÁè»è)	1	Y	20070425		KMYBA8BLS7C000001	
			1752A-BA8-RA00-WP	COVER ASS'Y, TANK(P/WHITE)	ÁÈÁ© Á¼¼ ¾N¼¼ÁÌ(ÁèÁÖ¼è»è)	1	Y	20070425		KMYBA8BLS7C000001	
		8	17520-BA4-0000-GB	TANK COVER, FUEL(G/BBLUE)	ÈPçµ ÁÈÁ© Á¼¼(ÇÈÁµ»è)	1	N	20070425		KMYBA8BLS7C000001	
			17520-BA4-0000-IB	TANK COVER, FUEL(I/BLUE)	ÈPçµ ÁÈÁ© Á¼¼(ÁèÁµ»è)	1	N	20070425		KMYBA8BLS7C000001	
			17520-BA4-0000-LR	TANK COVER, FUEL(L/RED)	ÈPçµ ÁÈÁ© Á¼¼(íÁè»è)	1	N	20070425		KMYBA8BLS7C000001	
			17520-BA4-0000-WP	TANK COVER, FUEL(P/WHITE)	ÈPçµ ÁÈÁ© Á¼¼(ÁèÁÖ¼è»è)	1	N	20070425		KMYBA8BLS7C000001	
		9	17526-BA6-9600	COLLAR, FUEL TANK MOUNTING	ÈPçµ ÁÈÁ© µ¼íÈÁ Áè¼	2	Y	20070425		KMYBA8BLS7C000001	
		10	17611-BA4-0000	CUSHION, FUEL TANK FR.	ÈPçµ ÁÈÁ© ÈÁ-ÐÈ© ÁP¼Ç	1	Y	20070425		KMYBA8BLS7C000001	
		11	17614-BA4-0000	RUBBER, TANK SEALING	ÁÈÁ© ½ÁÁ¼µ -¼è	1	Y	20070425		KMYBA8BLS7C000001	
		12	17621-BA4-0000	COLLAR, FUEL TANK FR.	ÈPçµ ÁÈÁ© ÈÁ-ÐÈ© Áè¼	1	Y	20070425		KMYBA8BLS7C000001	

F-13

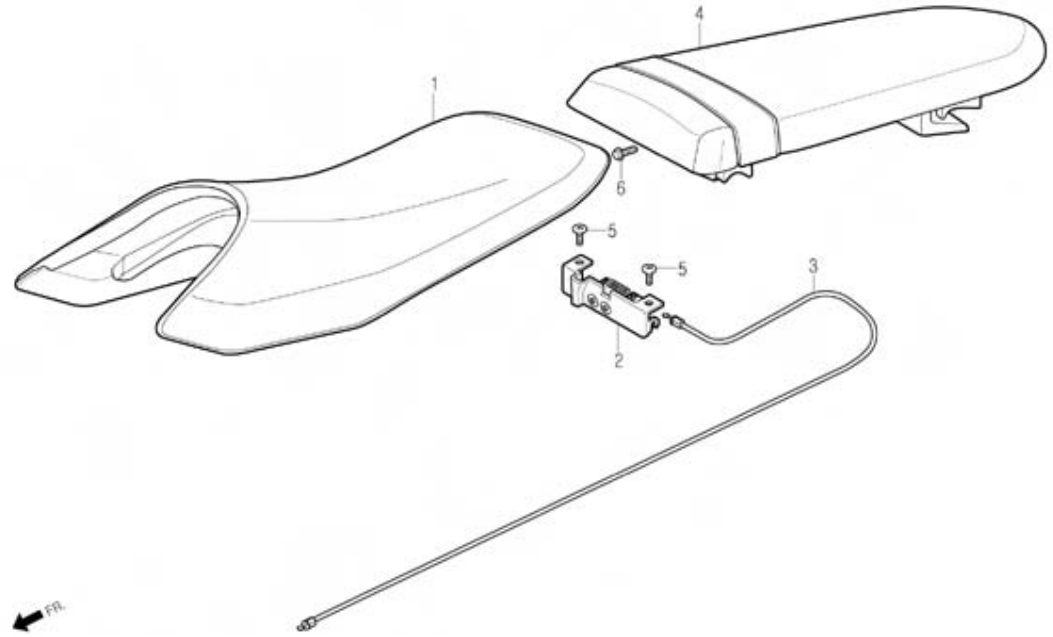
ÈP;µ ÁÊÁ© FUEL TANK



ÁµñÇ×ñ Service item	FRT	Ref. No.	Part No.	Description	İ Ç° İ	QTY AS	EX	Start Date	End Date	Start FRM.No	End FRM.No
		13	17636-BA4-R301	HOSE, FUEL 8x420	ÈP;µ ÈÈ½² 8x420	1	Y	20070425		KMYBA8BLS7C000001	
		14	17637-BA1-R300	CLIP, HOSE	ÈÈ½² Á-³	2	Y	20070425		KMYBA8BLS7C000001	
		15	32101-BA4-R300	SUB CORD COMP., FUEL PUMP	ÈP;µ ÆBÇÁ ¼-²È ÁÚµá ÆPÇÁ	1	Y	20070425		KMYBA8BLS7C000001	
		16	64209-BA4-0000	RUBBER, FUEL NECK CAP SEAL	ÈP;µ ³Ø Á, ½ÁÁİ -¹ò	4	Y	20070425		KMYBA8BLS7C000001	
		17	87560-BA7-9002-EX	MARK, DRIVE CAUTION(ENGLISH)	µá²óÁİ²È ÁÚ¼Ç, ¶Á©(çµ³áí)	1	Y	20070425		KMYBA8BLS7C000001	
		18	90152-BA4-0000	BOLT, SOCKET 5x25	¼ØÁİ ²¼Æ© 5x25	4	Y	20070425		KMYBA8BLS7C000001	
		19	90192-SB1-0000	SCREW, SPECIAL 5x12	½²Æá¼È ½²Á©-ù 5x12	7	Y	20070425		KMYBA8BLS7C000001	
		20	91305-SA4-R300	O-RING 67x5	O-µ 67x5	1	Y	20070425		KMYBA8BLS7C000001	
		21	S3404-06042-00	BOLT, WASHER 6x42	ç¼Á ¼Æ© 6x42	1	Y	20070425		KMYBA8BLS7C000001	
		22	S5701-08035-08	BOLT, FLANGE, 8x35	ÈÁ»Áò ¼Æ© 8x35	2	Y	20070425		KMYBA8BLS7C000001	

F-14

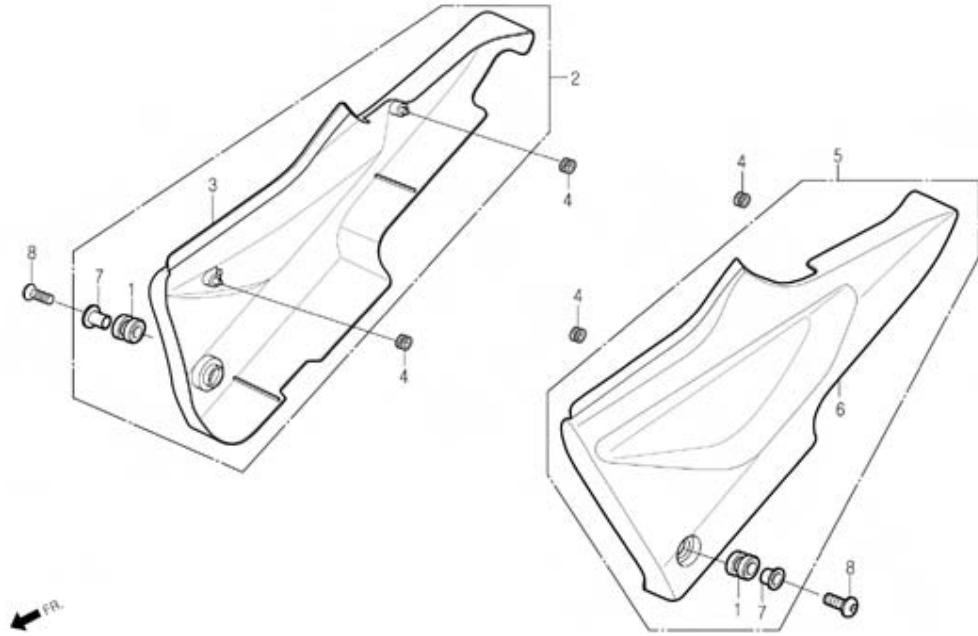
½ÄÆ® SEAT



Service item	FRT	Ref. No.	Part No.	Description	QTY	EX AS	Start Date	End Date	Start FRM.No	End FRM.No
SEAT ASS'Y, MAIN	0.1	1	77200-BA4-0001	SEAT ASS'Y, MAIN	1	Y	20070425		KMYBA8BLS7C000001	
SEAT ASS'Y, PILLION	0.2	2	77235-SA1-0110	CATCH COMP., SEAT	1	Y	20070425		KMYBA8BLS7C000001	
CATCH COMP., SEAT	0.3	3	77240-BA4-0000-M1	CABLE, SEAT LOCK	1	Y	20070425		KMYBA8BLS7C000001	
SEAT ASS'Y, PILLION		4	77300-BA4-0000	SEAT ASS'Y, PILLION	1	Y	20070425		KMYBA8BLS7C000001	
SCREW, TORUS 6x12		5	90103-BA5-0000	SCREW, TORUS 6x12	2	Y	20070425		KMYBA8BLS7C000001	
BOLT, FLANGE, 6x16		6	S5701-06016-08	BOLT, FLANGE, 6x16	1	Y	20070425		KMYBA8BLS7C000001	

F-15

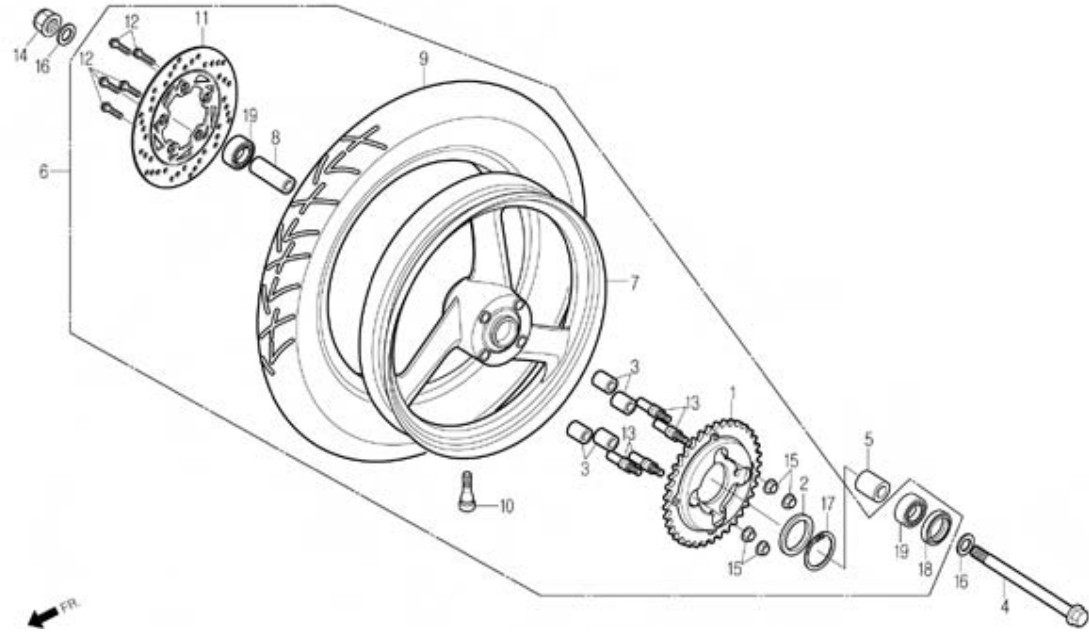
»çÀìµá Äç'ò SIDE COVER



Á«ñC×ñ Service item	FRT	Ref. No.	Part No.	Description	°í Ç° í	QTY AS	EX	Start Date	End Date	Start FRM.No	End FRM.No
COVER, SIDE	0.1	1	80101-BA5-0000	RUBBER, RR.FENDER CUSHION	,@%í ÈÓ'Ú Áí¼Ç -'ò	2	Y	20070425		KMYBA8BLS7C000001	
		2	8354A-BA4-0000	COVER ASS'Y, RH.SIDE	RH.»çÀìµá Äç'ò ¾N¼¼ÄÌ	1	Y	20070425		KMYBA8BLS7C000001	
		3	83540-BA4-0000	COVER, RH.SIDE	RH.»çÀìµá Äç'ò	1	N	20070425		KMYBA8BLS7C000001	
		4	83551-BA6-0000	GROMMET, SIDE COVER	»çÀìµá Äç'ò ±×-Ì.ä	4	Y	20070425		KMYBA8BLS7C000001	
		5	8364A-BA4-0000	COVER ASS'Y, LH.SIDE	LH.»çÀìµá Äç'ò ¾N¼¼ÄÌ	1	Y	20070425		KMYBA8BLS7C000001	
	6	83640-BA4-0000	COVER, LH.SIDE	LH.»çÀìµá Äç'ò	1	N	20070425		KMYBA8BLS7C000001		
	7	90001-BA5-0001	COLLAR, SIDE MOUNT	»çÀìµá *ç'íE@ Ä@¶ò	2	N	20070425		KMYBA8BLS7C000001		
	8	90107-BA5-9100	BOLT, SPECIAL 6x22	½°Eá¼E °¼E@ 6x22	2	Y	20070425		KMYBA8BLS7C000001		

F-16

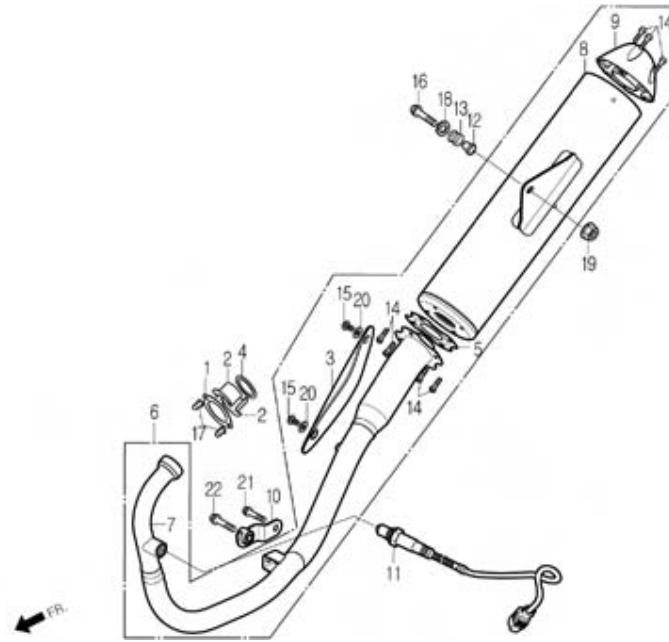
REAR WHEEL



Service item	FRT	Ref. No.	Part No.	Description	QTY	EX AS	Start Date	End Date	Start FRM.No	End FRM.No
SPROCKET COMP., FINAL DRIVEN	0.5	1	41200-BA1-R300	SPROCKET COMP., FINAL DRIVEN 45T	1	Y	20070425		KMYBA8BLS7C000001	
WHEEL COMP., RR. CASTING	0.8	2	41202-BA5-0000	WASHER, 53mm	1	Y	20070425		KMYBA8BLS7C000001	
COLLAR, RR. DISTANCE	0.6	3	41241-BA6-0202	BUSH, RR. WHEEL DAMPER	4	Y	20070425		KMYBA8BLS7C000001	
BEARING, RADIAL BALL 6302U (ADD 0.1 FOR EACH)	0.9	4	42301-BA4-0000	AXLE, RR. WHEEL	1	Y	20070425		KMYBA8BLS7C000001	
TIRE, RR. DISK, FR. BRAKE	0.5	5	42304-BA7-0000	COLLAR, RR. WHEEL SIDE	1	Y	20070425		KMYBA8BLS7C000001	
		6	42600-BA8-0000	WHEEL ASS'Y, RR.	1	Y	20070425		KMYBA8BLS7C000001	
		7	42601-BA8-0000	WHEEL COMP., RR. CASTING	1	Y	20070425		KMYBA8BLS7C000001	
		8	42620-BA5-9000	COLLAR, RR. DISTANCE	1	N	20070425		KMYBA8BLS7C000001	
		9	42711-BA4-0001-M1	TIRE, RR.	1	Y	20070425		KMYBA8BLS7C000001	
		10	42753-BA7-0000	VALVE, RIM TR413	1	Y	20070425		KMYBA8BLS7C000001	
		11	45351-BA8-0000	DISK, RR. BRAKE	1	Y	20070425		KMYBA8BLS7C000001	
		12	90106-BA5-0001	BOLT, FR. DISK 8x24	5	Y	20070425		KMYBA8BLS7C000001	
		13	90128-BA1-0000	BOLT, DRIVEN SPROKET FIXING	4	Y	20070425		KMYBA8BLS7C000001	
		14	90305-CB2-0031	NUT, U 14mm	1	Y	20070425		KMYBA8BLS7C000001	
		15	90308-BA6-6700	NUT, FLANGE 10mm	4	Y	20070425		KMYBA8BLS7C000001	
		16	90504-BA5-0000	WASHER, REAR AXLE	2	Y	20070425		KMYBA8BLS7C000001	
		17	90664-BA6-8100	CIR CLIP, EXTERNAL 53	1	Y	20070425		KMYBA8BLS7C000001	
		18	91257-BA6-0031	SEAL, OIL 28x42x7	1	Y	20070425		KMYBA8BLS7C000001	
		19	S6140-63020-10	BEARING, RADIAL BALL 6302U	2	Y	20070425		KMYBA8BLS7C000001	

F-17

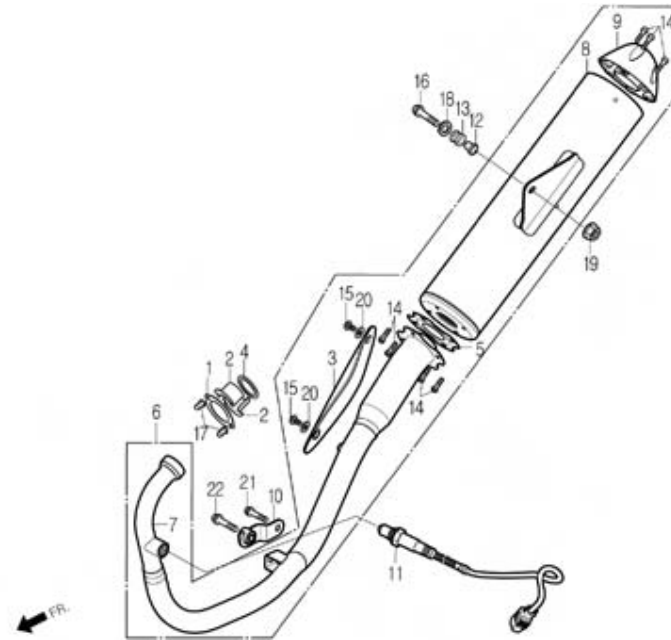
ΑΙΛΟ½ΕΘ, ΟΥΑ- EXHAUST MUFFLER



Service item	FRT	Ref. No.	Part No.	Description	Quantity	EX	Start Date	End Date	Start FRM.No	End FRM.No
MUFFLER COMP., EXHAUST	0.2	1	18231-BA7-9001	JOINT, EXHAUST PIPE	1	Y	20070425		KMYBA8BLS7C000001	
PIPE COMP., EXHAUST	0.1	2	18233-BA6-0000	COLLAR, EXHAUST PIPE JOINT	2	Y	20070425		KMYBA8BLS7C000001	
MUFFLER COMP.		3	18240-BA8-0000	PROTECTOR, MUFFLER	1	Y	20070425		KMYBA8BLS7C000001	
		4	18291-BA6-0003	GASKET, EXHAUST PIPE	1	Y	20070425		KMYBA8BLS7C000001	
		5	18292-BA4-0010	GASKET, EXHAUST PIPE FLANGE	1	Y	20070425		KMYBA8BLS7C000001	
		6	18300-BA8-RZ01	MUFFLER ASS'Y	1	Y	20070425		KMYBA8BLS7C000001	
		7	18320-BA8-RZ00	PIPE COMP., EXHAUST	1	Y	20070425		KMYBA8BLS7C000001	
		8	18340-BA8-0000	MUFFLER COMP.	1	Y	20070425		KMYBA8BLS7C000001	
		9	18345-BA8-0000	CAP, MUFFLER BODY	1	Y	20070425		KMYBA8BLS7C000001	
		10	18373-BA8-0000	STAY COMP., MUFFLER DAMPER	1	Y	20070425		KMYBA8BLS7C000001	
		11	18410-BA4-R300-M1	SENSOR, OXYGEN	1	Y	20070425		KMYBA8BLS7C000001	
		12	50607-BA5-9000	COLLAR, MOUNT RUBBER	1	Y	20070425		KMYBA8BLS7C000001	
		13	50608-BA5-9000	RUBBER, MUFFLER MOUNT	1	Y	20070425		KMYBA8BLS7C000001	
		14	90010-BA4-0000	BOLT, SOCKET, 6x16	7	Y	20070425		KMYBA8BLS7C000001	
		15	90011-SE1-0000	SCREW, SPECIAL 5x8	2	Y	20070425		KMYBA8BLS7C000001	
		16	90158-BA5-0000	BOLT, SPECIAL FLANGE 8x45	1	Y	20070425		KMYBA8BLS7C000001	
		17	90304-BA7-0002	NUT, HEX CAP 6mm	2	Y	20070425		KMYBA8BLS7C000001	
		18	90534-HD2-0000	WASHER 8.3mm	1	Y	20070425		KMYBA8BLS7C000001	
		19	S4050-08080	NUT, FLANGE, 8mm	1	Y	20070425		KMYBA8BLS7C000001	
		20	S4101-05000	WASHER, PLAIN, 5mm	2	Y	20070425		KMYBA8BLS7C000001	
		21	S5701-08012-08	BOLT, FLANGE, 8x12	1	Y	20070425		KMYBA8BLS7C000001	

F-17

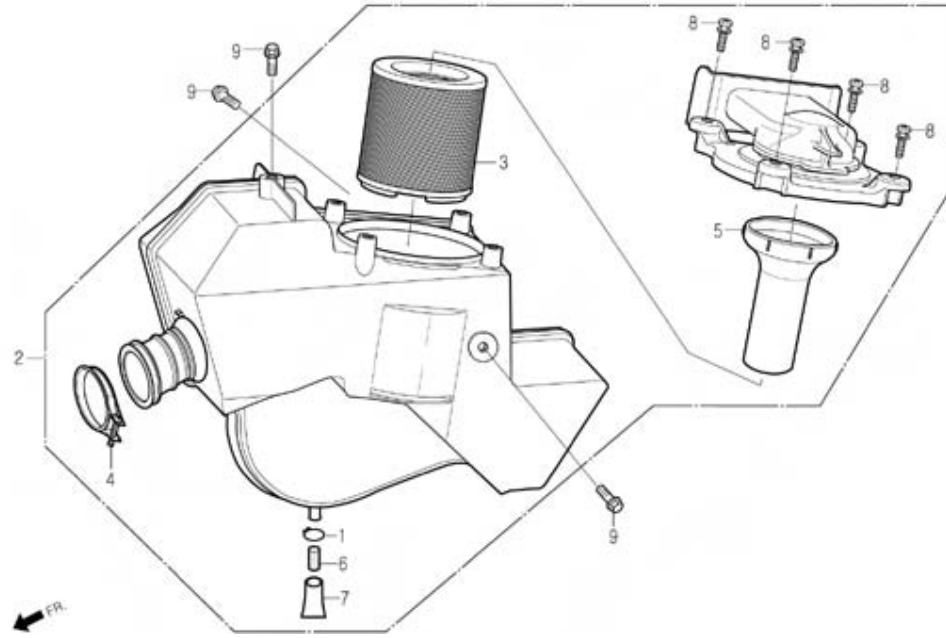
ΑΙΔΟ ½ ΕΘ, ΟΥΑ- EXHAUST MUFFLER



Service item	FRT	Ref. No.	Part No.	Description	Quantity	EX AS	Start Date	End Date	Start FRM.No	End FRM.No
		22	S5701-08030-08	BOLT, FLANGE, 8x30	1	Y	20070425		KMYBA8BLS7C000001	

F-18

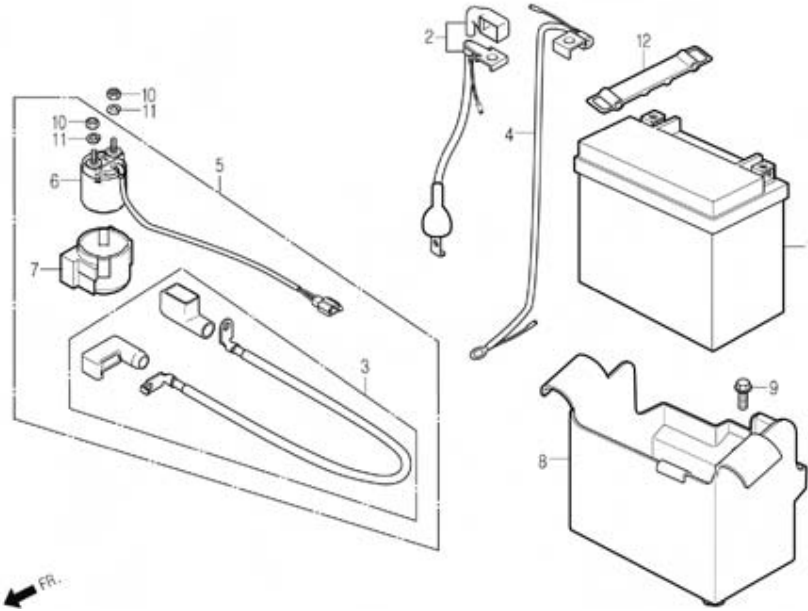
Հիշմունքի Երկրորդ AIR CLEANER



Տնօրոշման Իրար Service item	FRT	Ref. No.	Part No.	Description	Պի Ը Ի	QTY AS	EX	Start Date	End Date	Start FRM.No	End FRM.No
CLEANER ASS'Y, AIR	0.2	1	15772-BA7-0101	CLIP, BREATHER TUBE	Պի Ը Ի Երկրորդի Արտադրանք	1	N	20070425		KMYBA8BLS7C000001	
ELEMENT, AIR CLEANER	0.2	2	17200-BA8-0000	CLEANER ASS'Y, AIR	Հիշմունքի Երկրորդի Կառուցվածք	1	Y	20070425		KMYBA8BLS7C000001	
		3	17213-BA4-0000	ELEMENT, AIR CLEANER	Հիշմունքի Երկրորդի Կառուցվածքի Երկրորդի	1	Y	20070425		KMYBA8BLS7C000001	
		4	17256-BA1-R300	BAND 50, AIR CLEANER CONNECTING TUBE	Հիշմունքի Երկրորդի Կառուցվածքի Երկրորդի Կառուցվածքի Երկրորդի	1	Y	20070425		KMYBA8BLS7C000001	
		5	17260-BA4-0000	PIPE, AIR CLEANER INNER	Հիշմունքի Երկրորդի Կառուցվածքի Երկրորդի Կառուցվածքի Երկրորդի	1	N	20070425		KMYBA8BLS7C000001	
		6	17337-BA7-3000	FILTER	Շրջանակ	1	Y	20070425		KMYBA8BLS7C000001	
		7	17358-BA7-0000	TUBE, DRAIN	Մաշիկի Երկրորդի	1	N	20070425		KMYBA8BLS7C000001	
		8	S3891-05012-07	SCREW, WASHER 5x12	Հիշմունքի Երկրորդի Կառուցվածքի Երկրորդի Կառուցվածքի Երկրորդի	4	Y	20070425		KMYBA8BLS7C000001	
		9	S5701-06010-08	BOLT, FLANGE, 6x10	Երկրորդի Կառուցվածքի Երկրորդի Կառուցվածքի Երկրորդի	3	Y	20070425		KMYBA8BLS7C000001	

F-19

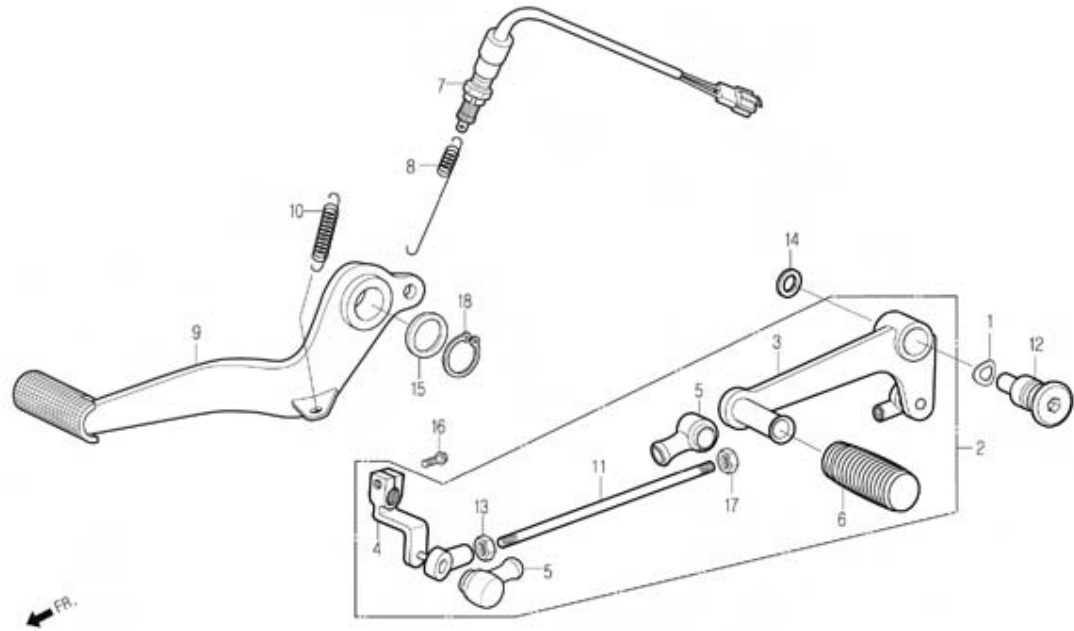
12V 10AH BATTERY



Service item	FRT	Ref. No.	Part No.	Description	QTY	EX AS	Start Date	End Date	Start FRM.No	End FRM.No
BATTERY 12V 10AH	0.2	1	31500-BA4-0000-M1	BATTERY, 12V 10AH(MF)	1	Y	20070425		KMYBA8BLS7C000001	
SWITCH ASS'Y, START MAGNETIC	0.3	2	32401-BA4-0002	CABLE, START MAGNETIC BATTERY(+)	1	Y	20070425		KMYBA8BLS7C000001	
CABLE, START MAGNETIC BATTERY		3	32410-BA4-0001	CABLE, START MOTOR	1	Y	20070425		KMYBA8BLS7C000001	
CABLE, START MOTOR		4	32601-BA8-0000	CABLE, BATTERY EARTH	1	Y	20070425		KMYBA8BLS7C000001	
		5	3585A-BA4-0002	SWITCH SET, START MAGNETIC	1	Y	20070425		KMYBA8BLS7C000001	
		6	35850-SA1-0000	SWITCH ASS'Y, START MAGNETIC	1	Y	20070425		KMYBA8BLS7C000001	
		7	35856-BA6-8300	SHOCK RUBBER, MAGNETIC	1	N	20070425		KMYBA8BLS7C000001	
		8	50320-BA4-0000	BOX, BATTERY	1	Y	20070425		KMYBA8BLS7C000001	
		9	90111-SE5-1000	BOLT, FLANGE 6mm	1	Y	20070425		KMYBA8BLS7C000001	
		10	S4002-06080-0S	NUT, HEX, 6mm(Y)	2	N	20070425		KMYBA8BLS7C000001	
		11	S4111-06800	WASHER, SPRING, 6mm	2	N	20070425		KMYBA8BLS7C000001	
		12	S5012-15001	BAND D, BATTERY	1	Y	20070425		KMYBA8BLS7C000001	

F-20

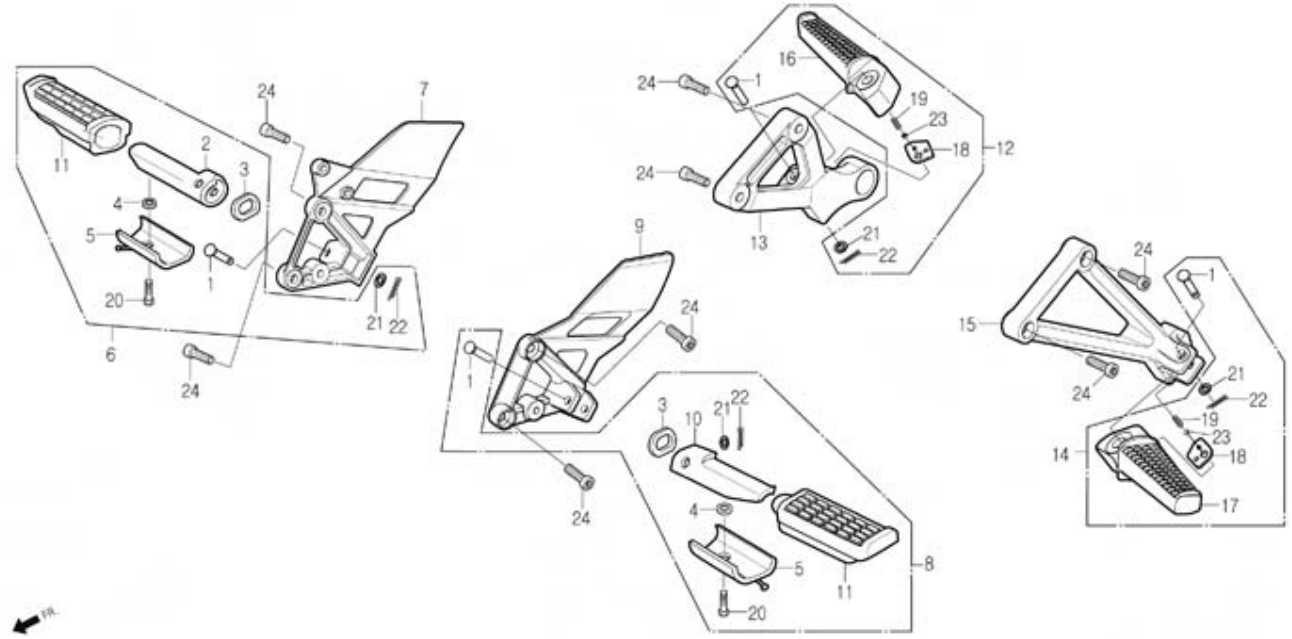
°è-¹ÀÌÁ© / Á¼ÁÌÁöÆÐ Þ BRAKE / CHANGE PEDAL



Á²ñÇ×ñ Service item	FRT	Ref. No.	Part No.	Description	°í Ç° í	QTY AS	EX	Start Date	End Date	Start FRM.No	End FRM.No
PEDAL ASS'Y, GEAR CHANGE	0.1	1	16187-CB3-0000	SPRING, WAVE WASHER	çpÁ¹è çí¼Á ½²ÇÁ,µ	1	Y	20070425		KMYBA8BLS7C000001	
EBOLT, TIE ROD	0.2	2	24700-BA4-0010	PEDAL ASS'Y, GEAR CHANGE	±á¾í Á¼ÁÌÁö Æá Þ ¾Ñ¼¼ÁÌ	1	Y	20070425		KMYBA8BLS7C000001	
SWITCH ASS'Y, RR.STOP	0.2	3	24701-BA4-0010	PEDAL, GEAR CHANGE	±á¾í Á¼ÁÌÁö Æá Þ	1	N	20070425		KMYBA8BLS7C000001	
PEDAL COMP., RR.BRAKE		4	24711-BA4-0000	ARM, GEAR CHANGE	±á¾í Á¼ÁÌÁö ¾Á	1	N	20070425		KMYBA8BLS7C000001	
		5	24724-BA4-0000-M1	COVER, DUST	´ó½²Æ© Áç'ó	2	N	20070425		KMYBA8BLS7C000001	
		6	24781-BA4-0000-M1	RUBBER, CHANGE PEDAL	Á¼ÁÌÁö Æá Þ -¹ó	1	N	20070425		KMYBA8BLS7C000001	
		7	35350-BA6-9600-M1	SWITCH ASS'Y, RR.STOP	,@¾í ½²Æé ½²ÁŞÁ; ¾Ñ¼¼ÁÌ	1	Y	20070425		KMYBA8BLS7C000001	
		8	35357-BA7-9000	SPRING, STOP SWITCH	½²Æé ½²ÁŞÁ; ½²ÇÁ,µ	1	Y	20070425		KMYBA8BLS7C000001	
		9	46500-BA4-0000	PEDAL COMP., RR.BRAKE	,@¾í °è-¹ÀÌÁ© Æá Þ ÁÐÇÁ	1	Y	20070425		KMYBA8BLS7C000001	
		10	46514-BA4-0000	SPRING, RR.BRAKE PEDAL	,@¾í °è-¹ÀÌÁ© Æá Þ ½²ÇÁ,µ	1	Y	20070425		KMYBA8BLS7C000001	
		11	90065-BA4-0000-M1	BOLT, TIE ROD	Á ÁÌ -Íµá ¼Æ©	1	N	20070425		KMYBA8BLS7C000001	
		12	90115-BA4-0000	BOLT, GEAR CHANGE PIVOT	±á¾í Á¼ÁÌÁö ÇÇ°, ¼Æ©	1	Y	20070425		KMYBA8BLS7C000001	
		13	90201-BA6-0000	NUT, TIE ROD	Á ÁÌ -Íµá ³ÈÆ©	1	N	20070425		KMYBA8BLS7C000001	
		14	90520-BA4-0000	WASHER, PLAIN 8.5x20	ÇÁ-¹ÁÍ çí¼Á 8.5x20	1	Y	20070425		KMYBA8BLS7C000001	
		15	90525-BA4-0000	WASHER, PLAIN 15.2x25	ÇÁ-¹ÁÍ çí¼Á 15.2x25	1	Y	20070425		KMYBA8BLS7C000001	
		16	S2101-06020-0H	BOLT, HEX 6x20	Çí½² ¼Æ© 6x20	1	Y	20070425		KMYBA8BLS7C000001	
		17	S4002-06070-0S	NUT, HEX, 6mm(BLACK)	Çí½² ³ÈÆ© 6mm(°ÉÁ²óó)	1	N	20070425		KMYBA8BLS7C000001	
		18	S4511-14000	CIR CLIP, EXTERNAL 14mm	çé½²ÁÐí ½á Á-³ 14mm	1	Y	20070425		KMYBA8BLS7C000001	

F-21

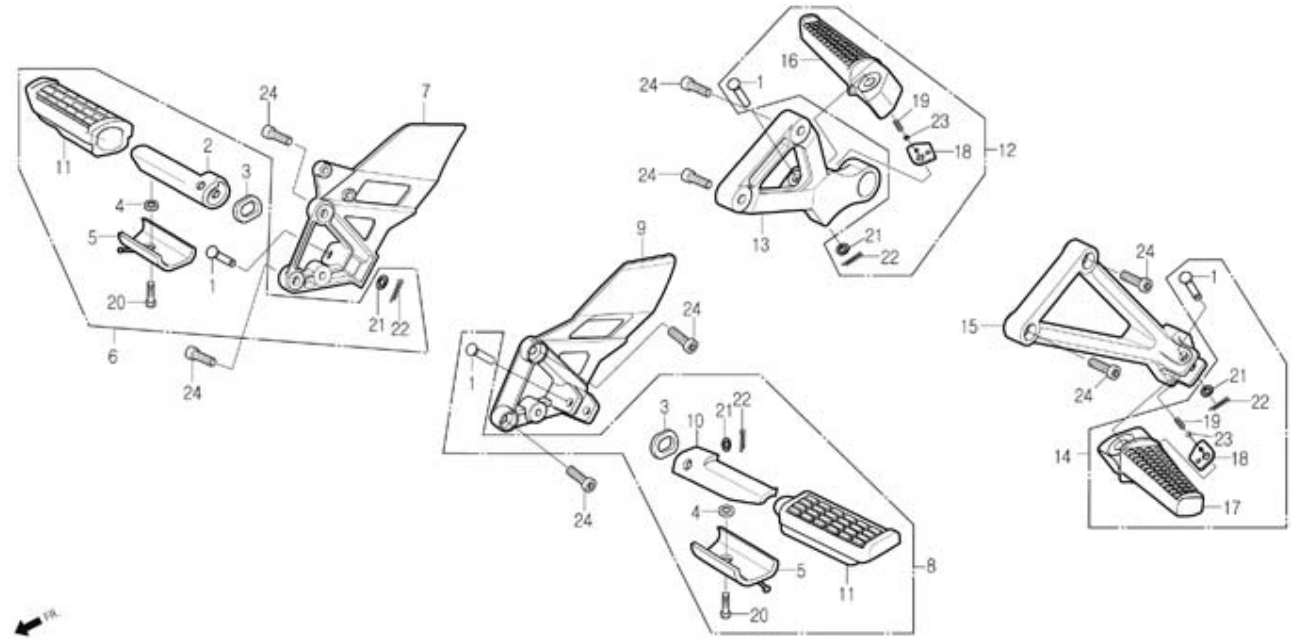
½°ÁÜ STEP



Á°ñC×ñ Service item	FRT	Ref. No.	Part No.	Description	ı Ç° í	QTY AS	EX	Start Date	End Date	Start FRM.No	End FRM.No
BAR ASS'Y, MAIN STEP	0.1	1	50603-BA4-0000	PIN, MAIN STEP BAR JOINT	‚PÁİ ½°ÁÜ Ü Á¶ÁÆ® ÇÉ	4	N	20070425		KMYBA8BLS7C000001	
PHOLDER, MAIN STEP	0.1	2	50612-BA6-0001	BAR, RH.MAIN STEP	RH, ‚PÁİ ½°ÁÜ Ü	1	N	20070425		KMYBA8BLS7C000001	
PRUBBER, MAIN STEP		3	50614-BA6-0000	PLATE, MAIN STEP SIDE	‚PÁİ ½°ÁÜ »çÁİµá ÇÁ-¹ÀİÆ®	2	N	20070425		KMYBA8BLS7C000001	
BAR ASS'Y, PILLION STEP		4	50618-BA6-0000	COLLAR, 6.5x11x3	Á®¶ 6.5x11x3	2	N	20070425		KMYBA8BLS7C000001	
PHOLDER, PILLION STEP		5	50619-BA4-0000	PLATE, MAIN STEP LOWER	‚PÁİ ½°ÁÜ Ü¶İ ÇÁ-¹ÀİÆ®	2	N	20070425		KMYBA8BLS7C000001	
		6	5063A-BA4-0000	BAR ASS'Y, RH.MAIN STEP	RH, ‚PÁİ ½°ÁÜ Ü ¼N¼¼Áİ	1	Y	20070425		KMYBA8BLS7C000001	
		7	50630-BA4-0001	HOLDER, RH.MAIN STEP	RH, ‚PÁİ ½°ÁÜ È'õ	1	Y	20070425		KMYBA8BLS7C000001	
		8	5064A-BA4-0000	BAR ASS'Y, LH.MAIN STEP	LH, ‚PÁİ ½°ÁÜ Ü ¼N¼¼Áİ	1	Y	20070425		KMYBA8BLS7C000001	
		9	50640-BA4-0001	HOLDER, LH.MAIN STEP	LH, ‚PÁİ ½°ÁÜ È'õ	1	Y	20070425		KMYBA8BLS7C000001	
		10	50643-BA6-0000	BAR, LH.MAIN STEP	LH, ‚PÁİ ½°ÁÜ Ü	1	N	20070425		KMYBA8BLS7C000001	
		11	50661-BA6-0002	RUBBER, MAIN STEP	‚PÁİ ½°ÁÜ Ü'õ	2	N	20070425		KMYBA8BLS7C000001	
		12	5071A-BA4-0000	BAR ASS'Y, RH.PILLION STEP	RH.ÇÉ, ®çÁ ½°ÁÜ Ü ¼N¼¼Áİ	1	Y	20070425		KMYBA8BLS7C000001	
		13	50710-BA4-0002	HOLDER, RH.PILLION STEP	RH.ÇÉ, ®çÁ ½°ÁÜ È'õ	1	Y	20070425		KMYBA8BLS7C000001	
		14	5072A-BA4-0000	BAR ASS'Y, LH.PILLION STEP	LH.ÇÉ, ®çÁ ½°ÁÜ Ü ¼N¼¼Áİ	1	Y	20070425		KMYBA8BLS7C000001	
		15	50720-BA4-0002	HOLDER, LH.PILLION STEP	LH.ÇÉ, ®çÁ ½°ÁÜ È'õ	1	Y	20070425		KMYBA8BLS7C000001	
		16	50812-SE1-0000	BAR, RH.PILLION STEP	RH.ÇÉ, ®çÁ ½°ÁÜ Ü	1	N	20070425		KMYBA8BLS7C000001	
		17	50813-SE1-0000	BAR, LH.PILLION STEP	LH.ÇÉ, ®çÁ ½°ÁÜ Ü	1	N	20070425		KMYBA8BLS7C000001	
		18	50814-BA4-0000	PLATE, PILLION STEP	ÇÉ, ®çÁ ½°ÁÜ ÇÁ-¹ÀİÆ®	2	N	20070425		KMYBA8BLS7C000001	
		19	50815-SE1-0000	SPRING, PILLION STEP	ÇÉ, ®çÁ ½°ÁÜ ½°ÇÁ, µ	2	N	20070425		KMYBA8BLS7C000001	
		20	S2201-06012-0A	BOLT, HEX 6x12	Çİ½° ¼Æ® 6x12	2	N	20070425		KMYBA8BLS7C000001	
		21	S4102-08000	WASHER, PLAIN 8mm	ÇÁ-¹Áİ çİ¼Á 8mm	4	N	20070425		KMYBA8BLS7C000001	

F-21

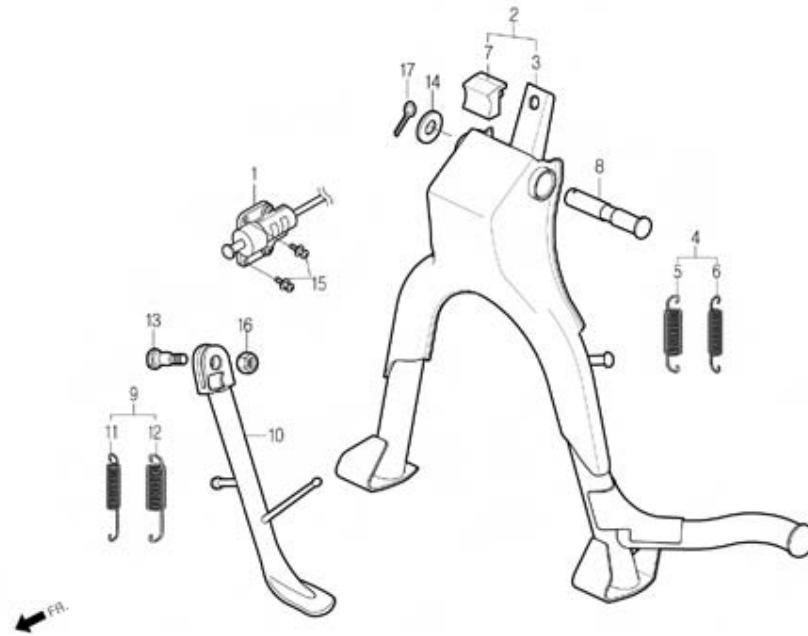
½°ÄÜ
STEP



Service item	FRT	Ref. No.	Part No.	Description	Unit	QTY	EX AS	Start Date	End Date	Start FRM.No	End FRM.No
		22	S4201-16150	PIN, SPLIT 1.6x15	1/2"ÇÄ, ÇÉ 1.6x15	4	N	20070425		KMYBA8BLS7C000001	
		23	S6211-08000	BALL, STEEL #8	1/2"Æ; 1/4 #8	2	N	20070425		KMYBA8BLS7C000001	
		24	S6700-08025-00	BOLT, SOCKET, 8x25	1/4ÖÄÍ 1/4Æ@ 8x25	8	Y	20070425		KMYBA8BLS7C000001	

F-22

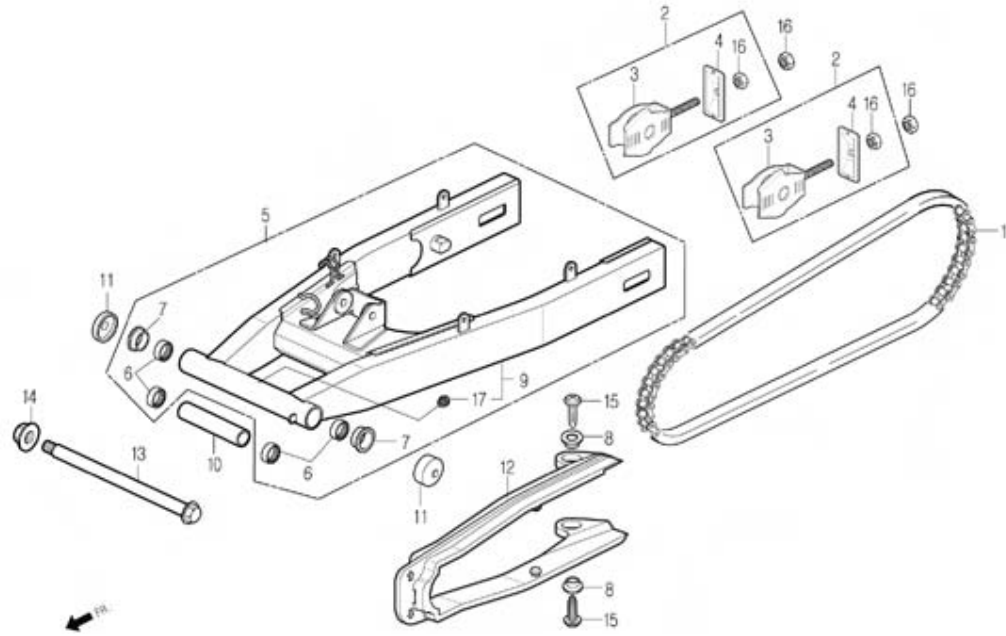
½°ÁÛµá STAND



Á°ñÇ×, ñ Service item	FRT	Ref. No.	Part No.	Description	°í Ç° í	QTY AS	EX	Start Date	End Date	Start FRM.No	End FRM.No
SWITCH ASS'Y, SIDE STAND	0.2	1	35700-CB3-0001-M2	SWITCH ASS'Y, SIDE STAND(AOLI)	»ÇÁµá ½°ÁÁµá ½°Á§Á; ¾Ñ¼¼ÁÌ(¾ÇÁ»¿Á-Á)	1	Y	20070425		KMYBA8BLS7C000001	
STAND ASS'Y, MAIN	0.5	2	5050A-BA4-0000	STAND ASS'Y, MAIN	µÁÍ ½°ÁÁµá ¾Ñ¼¼ÁÌ	1	Y	20070425		KMYBA8BLS7C000001	
SPRING SET, MAIN STAND	0.2	3	50500-BA4-0001	STAND COMP., MAIN	µÁÍ ½°ÁÁµá ÁµÇÁ	1	N	20070425		KMYBA8BLS7C000001	
STAND COMP., SIDE		4	5051A-BA7-0000-EU	SPRING SET, MAIN STAND	µÁÍ ½°ÁÁµá ½°ÇÁ, µ ¼ÁÆ®	1	Y	20070425		KMYBA8BLS7C000001	
SPRING SET, SIDE STAND		5	50510-BA7-0001-EU	SPRING, MAIN STAND OUTER	µÁÍ ½°ÁÁµá ¾Æ¿½ÁÍ ½°ÇÁ, µ	1	N	20070425		KMYBA8BLS7C000001	
		6	50511-BA7-0000-EU	SPRING, MAIN STAND INNER	µÁÍ ½°ÁÁµá ÁÍÆ ½°ÇÁ, µ	1	N	20070425		KMYBA8BLS7C000001	
		7	50524-BA6-0001	RUBBER, STAND STOPPER	½°ÁÁµá ½°ÁáÆÛ -½°	1	Y	20070425		KMYBA8BLS7C000001	
		8	50526-BA6-9600	SHAFT, MAIN STAND PIVOT	µÁÍ ½°ÁÁµá ÇÇ° »µÇÁÆ®	1	Y	20070425		KMYBA8BLS7C000001	
		9	5053A-SE1-RB00	SPRING SET, SIDE STAND	»ÇÁµá ½°ÁÁµá ½°ÇÁ, µ ¼ÁÆ®	1	Y	20070425		KMYBA8BLS7C000001	
		10	50530-BA4-0001	STAND COMP., SIDE	»ÇÁµá ½°ÁÁµá ÁµÇÁ	1	Y	20070425		KMYBA8BLS7C000001	
		11	50532-SE1-RB00	SPRING, SIDE STAND INNER	»ÇÁµá ½°ÁÁµá ÁÍÆ ½°ÇÁ, µ	1	N	20070425		KMYBA8BLS7C000001	
		12	50533-SE1-RB00	SPRING, SIDE STAND OUTER	»ÇÁµá ½°ÁÁµá ¾Æ¿½ÁÍ ½°ÇÁ, µ	1	N	20070425		KMYBA8BLS7C000001	
		13	90108-BA6-0000	SCREW, SIDE STAND PIVOT	»ÇÁµá ½°ÁÛµá ÇÇ° ½°Á°-ù	1	Y	20070425		KMYBA8BLS7C000001	
		14	90521-CB2-0000	WASHER, 17x22	¿Í¼Á 17x22	1	Y	20070425		KMYBA8BLS7C000001	
		15	S3892-05016-08	SCREW, WASHER, 5x16	¿Í¼Á ½°Á°-ù 5x16	2	Y	20070425		KMYBA8BLS7C000001	
		16	S4030-10080	NUT, HEX 10mm	Ç½° ¾Æ® 10mm	1	Y	20070425		KMYBA8BLS7C000001	
		17	S4201-30250	PIN, SPLIT 3.0x25	½°ÇÁ, ÇÉ 3.0x25	1	Y	20070425		KMYBA8BLS7C000001	

F-23

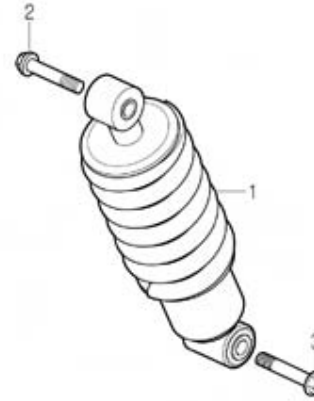
1/2" A @ 3/4" SWING ARM



Service item	FRT	Ref. No.	Part No.	Description	QTY	EX AS	Start Date	End Date	Start FRM.No	End FRM.No
O-RING CHAIN ASS'Y	0.4	1	40530-BA4-0000-M2	O-RING CHAIN ASS'Y, 428HOx130L	1	Y	20070425		KMYBA8BLS7C000001	
SWING ARM ASS'Y, RR.	0.8	2	4054A-BA4-0000	ADJUSTER ASS'Y, CHAIN	2	Y	20070425		KMYBA8BLS7C000001	
BUSH, RR.FORK	0.9	3	40543-BA4-0000	ADJUSTER, CHAIN	2	N	20070425		KMYBA8BLS7C000001	
COLLAR, PIVOT DISTANCE CENTER	0.3	4	40546-BA4-0001	CAP, RR.FORK END	2	N	20070425		KMYBA8BLS7C000001	
SLIDER, CHAIN		5	52100-BA4-RB10	SWINGARM ASS'Y, RR.	1	Y	20070425		KMYBA8BLS7C000001	
		6	52107-BA5-RB00	BEARING, RR.FORK PIVOT	4	Y	20070425		KMYBA8BLS7C000001	
		7	52108-BA5-RB02	BUSH, REAR FORK	2	Y	20070425		KMYBA8BLS7C000001	
		8	52108-BA5-9000	COLLAR, CHAIN SLIDER	2	Y	20070425		KMYBA8BLS7C000001	
		9	52110-BA4-RB11	SWINGARM COMP., RR.	1	N	20070425		KMYBA8BLS7C000001	
		10	52141-BA5-9000	COLLAR, PIVOT DISTANCE CENTER	1	Y	20070425		KMYBA8BLS7C000001	
		11	52144-BA6-0050	CAP, RR.FORK DUST SEAL	2	Y	20070425		KMYBA8BLS7C000001	
		12	52170-BA4-0000	SLIDER, CHAIN	1	Y	20070425		KMYBA8BLS7C000001	
		13	90121-BA4-0000	BOLT, SWING ARM PIVOT	1	Y	20070425		KMYBA8BLS7C000001	
		14	90305-CB2-0031	NUT, U 14mm	1	Y	20070425		KMYBA8BLS7C000001	
		15	S3901-26180	SCREW, TAPPING 6x12	2	Y	20070425		KMYBA8BLS7C000001	
		16	S4001-08080-0S	NUT, HEX, 8mm	4	Y	20070425		KMYBA8BLS7C000001	
		17	S6201-10000	NIPPLE, GREASE, A.T6	1	Y	20070425		KMYBA8BLS7C000001	

F-24

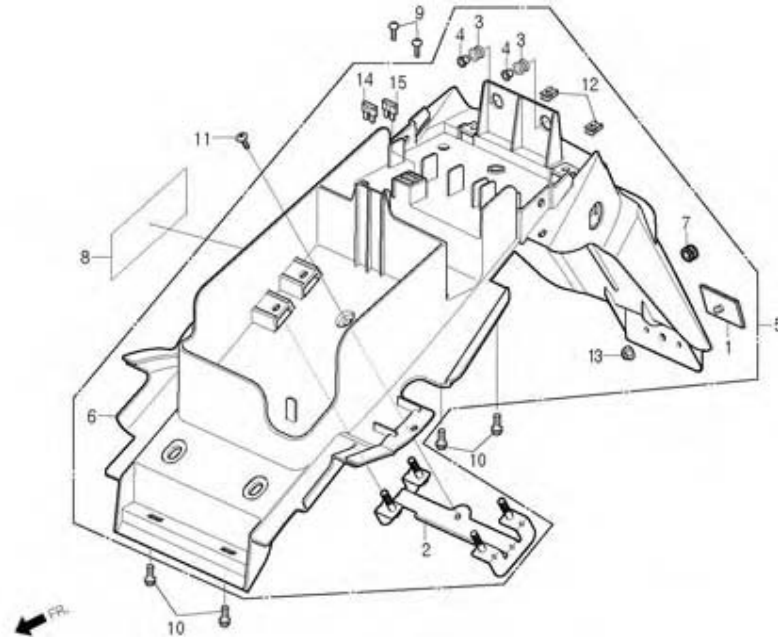
REAR CUSHION



Service item	FRT	Ref. No.	Part No.	Description	QTY	EX AS	Start Date	End Date	Start FRM.No	End FRM.No
CUSHION ASSY, RR.	0.2	1	52400-BA4-RB10-M1	CUSHION ASS'Y, RR.(G/RED)	1	Y	20070425		KMYBA8BLS7C000001	
			52400-BA4-0002-M1	CUSHION ASS'Y, RR.(France, Spain)	1	Y	20070425		KMYBA8BLS7C000001	
		2	90103-BA1-0000	BOLT, FLANGE 10x55	1	Y	20070425		KMYBA8BLS7C000001	
		3	90104-BA8-0000	BOLT, FLANGE 10x70	1	Y	20070425		KMYBA8BLS7C000001	

F-25

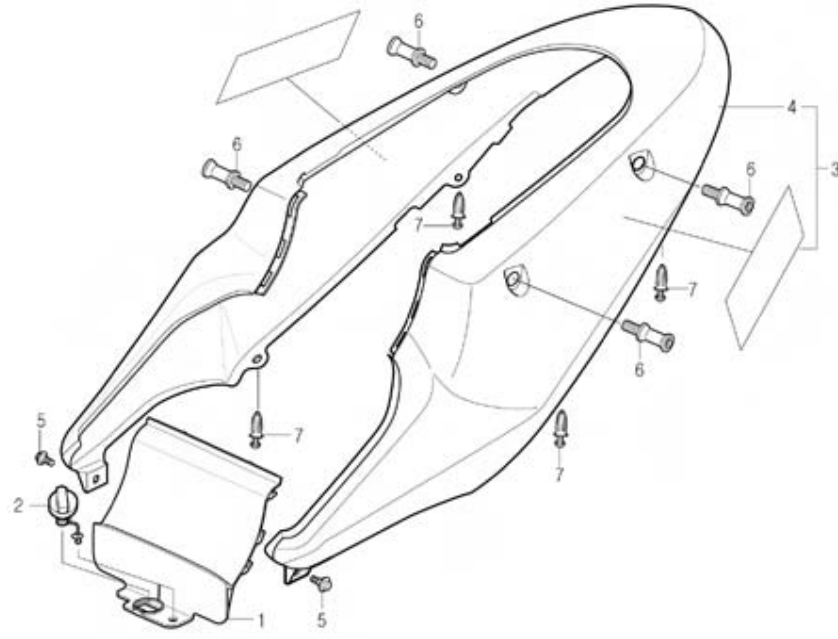
REAR FENDER



Service item	FRT	Ref. No.	Part No.	Description	QTY	EX AS	Start Date	End Date	Start FRM.No	End FRM.No
FENDER ASS'Y, RR. REFLECTOR, REFLEX	0.4	1	33741-SE5-RB00-M1	REFLECTOR, REFLEX	1	Y	20070425		KMYBA8BLS7C000001	
		2	50163-BA4-R300	STAY COMP., ECU	1	Y	20070425		KMYBA8BLS7C000001	
		3	64212-X10-0000	RUBBER, FR.COWL MOUNT	2	Y	20070425		KMYBA8BLS7C000001	
		4	64213-X10-0000	COLLAR, FR.COWL SETTING	2	N	20070425		KMYBA8BLS7C000001	
		5	8010A-BA4-R300	FENDER ASS'Y, RR.	1	Y	20070425		KMYBA8BLS7C000001	
	6	80100-BA4-R300	FENDER COMP., RR.	1	N	20070425		KMYBA8BLS7C000001		
	7	80101-BA1-0001	RUBBER, LICENSE PLATE	1	Y	20070425		KMYBA8BLS7C000001		
	8	87565-BA8-RZ00	CONTROL LABEL, ANTI TAMPERING	1	Y	20070425		KMYBA8BLS7C000001		
	9	90110-SE5-0001	SCREW, SPECIAL 6x14	2	Y	20070425		KMYBA8BLS7C000001		
	10	90111-SE5-1000	BOLT, FLANGE 6mm	4	Y	20070425		KMYBA8BLS7C000001		
	11	90192-SB1-0000	SCREW, SPECIAL 5x12	1	Y	20070425		KMYBA8BLS7C000001		
	12	90305-SE5-1001	NUT, CLIP 6mm	2	Y	20070425		KMYBA8BLS7C000001		
	13	S4050-06080	NUT, FLANGE, 6mm	1	Y	20070425		KMYBA8BLS7C000001		
	14	S8200-31500	BLADE FUSE 15A	1	Y	20070425		KMYBA8BLS7C000001		
	15	S8200-33000	BLADE FUSE 30A	1	Y	20070425		KMYBA8BLS7C000001		

F-26

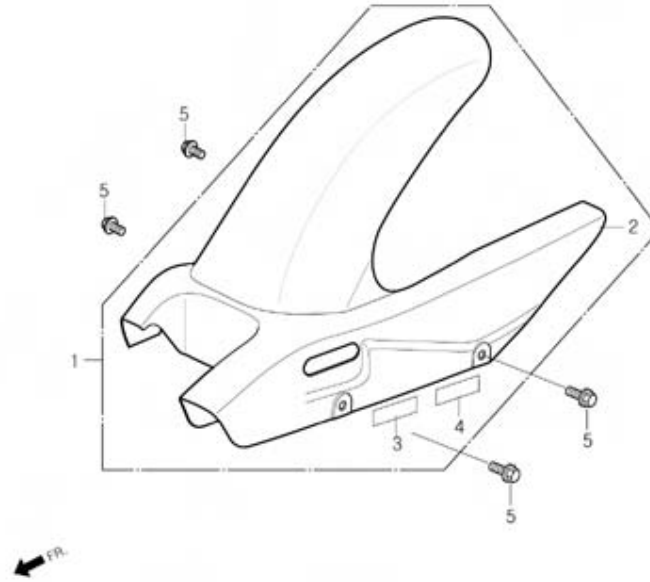
REAR COWL



Service item	FRT	Ref. No.	Part No.	Description	QTY	EX AS	Start Date	End Date	Start FRM.No	End FRM.No
COVER, CENTER COWL ASS'Y, RR.	0.1	1	80151-BA4-0000-GB	COVER, CENTER(G/BBLUE)	1	Y	20070425		KMYBA8BLS7C000001	
	0.2	2	80152-BA4-0000	GROMMET, COVER SETTING	1	Y	20070425		KMYBA8BLS7C000001	
		3	8350A-BA8-RZ00-GB	COWL ASS'Y, REAR(G/BBLUE)	1	Y	20070425		KMYBA8BLS7C000001	
			8350A-BA8-RZ00-IB	COWL ASS'Y, REAR(I/BLUE)	1	Y	20070425		KMYBA8BLS7C000001	
			8350A-BA8-RZ00-LR	COWL ASS'Y, REAR(L/RED)	1	Y	20070425		KMYBA8BLS7C000001	
			8350A-BA8-RZ00-WP	COWL ASS'Y, REAR(P/WHITE)	1	Y	20070425		KMYBA8BLS7C000001	
		4	83500-BA4-0000-GB	COWL, RR.(G/BBLUE)	1	Y	20070425		KMYBA8BLS7C000001	
		5	90111-SE5-1000	BOLT, FLANGE 6mm	2	Y	20070425		KMYBA8BLS7C000001	
		6	90125-BA4-0000	BOLT, SPECIAL	4	Y	20070425		KMYBA8BLS7C000001	
		7	90683-SE5-0030	CLIP, BODY COVER	4	Y	20070425		KMYBA8BLS7C000001	

F-27

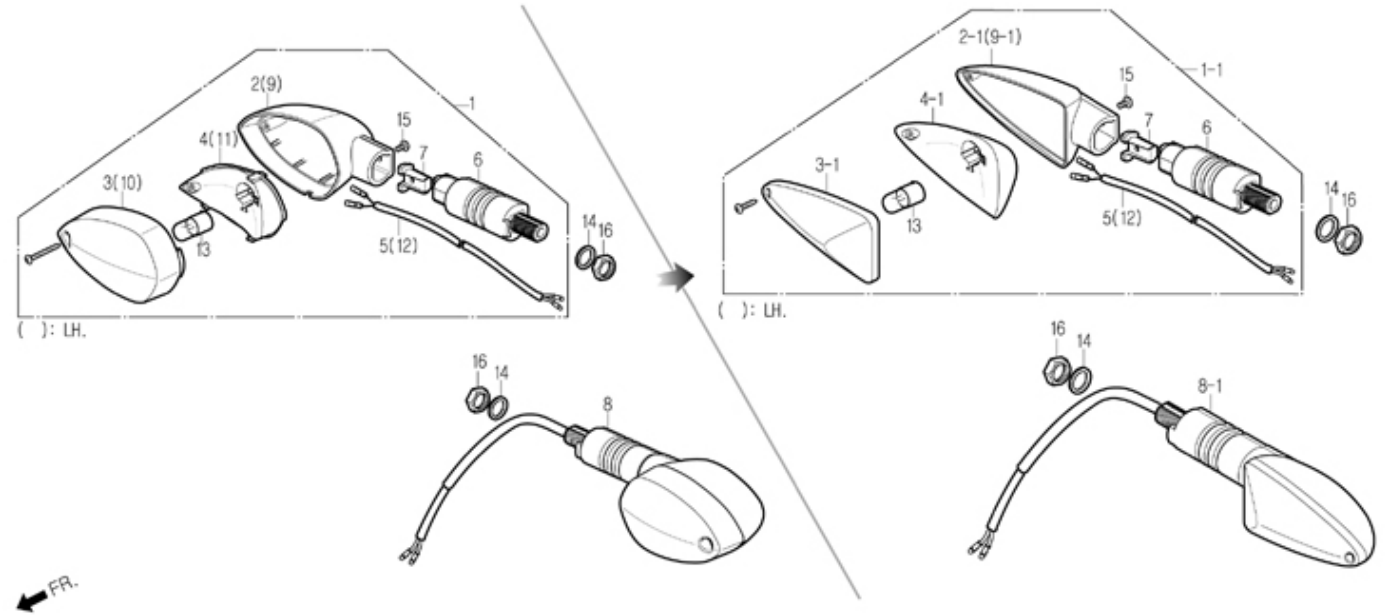
REAR WHEEL MUDGUARD



Service item	FRT	Ref. No.	Part No.	Description	QTY	EX AS	Start Date	End Date	Start FRM.No	End FRM.No	
MUDGUARD ASS'Y, RR.WHEEL	0.1	1	6112A-BA4-RA00	MUDGUARD ASS'Y, RR.WHEEL(English)	1	Y	20070425		KMYBA8BLS7C000001		
			6112A-BA4-RB00	MUDGUARD ASS'Y, RR.WHEEL(Germany)	1	Y	20070425		KMYBA8BLS7C000001		
			6112A-BA4-RC00	MUDGUARD ASS'Y, RR.WHEEL(Italy)	1	Y	20070425		KMYBA8BLS7C000001		
			6112A-BA4-RE00	MUDGUARD ASS'Y, RR.WHEEL(France)	1	Y	20070425		KMYBA8BLS7C000001		
			6112A-BA4-RJ00	MUDGUARD ASS'Y, RR.WHEEL(Spain)	1	Y	20070425		KMYBA8BLS7C000001		
			2	61120-BA4-0000	MUDGUARD, RR.WHEEL	1	N	20070425		KMYBA8BLS7C000001	
			3	87505-BA4-MA00	LABEL, TIRE(English)	1	Y	20070425		KMYBA8BLS7C000001	
				87505-BA4-RB00	LABEL, TIRE(Germany)	1	Y	20070425		KMYBA8BLS7C000001	
				87505-BA4-RC00	LABEL, TIRE(Italy)	1	Y	20070425		KMYBA8BLS7C000001	
				87505-BA4-RE00	LABEL, TIRE(France)	1	Y	20070425		KMYBA8BLS7C000001	
				87505-BA4-RJ00	LABEL, TIRE(Spain)	1	Y	20070425		KMYBA8BLS7C000001	
			4	87507-BA4-RC00	LABEL, DRIVE CHAIN(Italy)	1	Y	20070425		KMYBA8BLS7C000001	
				87507-BA4-RJ00	LABEL, DRIVE CHAIN(Spain)	1	Y	20070425		KMYBA8BLS7C000001	
				87507-BA7-RE00	LABEL, DRIVE CHAIN(France)	1	Y	20070425		KMYBA8BLS7C000001	
				87507-BA7-0000-EU	LABEL, DRIVE CHAIN(Germany)	1	Y	20070425		KMYBA8BLS7C000001	
			5	87507-BA7-9000-EX	LABEL, DRIVE CHAIN(English)	1	Y	20070425		KMYBA8BLS7C000001	
				90111-CB3-1000	BOLT, FLANGE 6mm	4	Y	20070425		KMYBA8BLS7C000001	

F-28

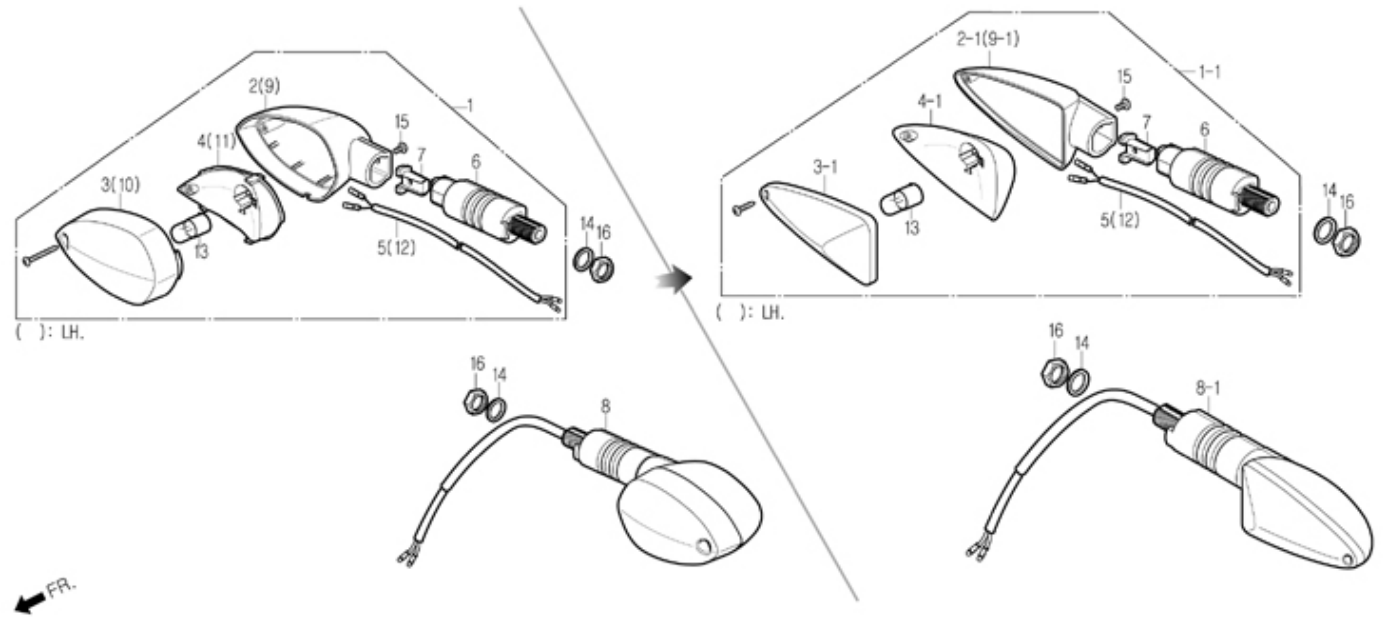
FRONT WINKER



Service item	FRT	Ref. No.	Part No.	Description	QTY	A/S	Exch	Start Date	Start FRM.No	End FRM.No
WINKER ASS'Y, FR.	0.2	1	33400-BA8-0000-M1	WINKER ASS'Y, RH.FR.	1	Y	N	20070425	KMYBA8BLS7C000001	KMYBA8BLS8C002275
LENS, WINKER	0.1									
REFLECTOR, WINKER		1-1	33400-BA8-RZ00	WINKER ASS'Y, RH.FR.	1	Y		20071022	KMYBA8BLS8C002276	
STAY COMP., FR.WINKER		2	33401-BA8-0000	BASE, RH.FR.WINKER	1	N	N	20070425	KMYBA8BLS7C000001	KMYBA8BLS8C002275
BULB, WINKER		2-1	33401-BA8-RZ00	BASE, RH.FR.WINKER	1	N		20071022	KMYBA8BLS8C002276	
		3	33402-BA8-0000	LENS, RH.FR.WINKER	1	N	N	20070425	KMYBA8BLS7C000001	KMYBA8BLS8C002275
		3-1	33402-BA8-RZ00	LENS, RH.FR.WINKER	2	N		20071022	KMYBA8BLS8C002276	
		4	33403-BA8-0000	REFLECTOR, RH.WINKER	1	N	N	20070425	KMYBA8BLS7C000001	KMYBA8BLS8C002275
		4-1	33403-BA8-RZ00	REFLECTOR, RH.WINKER	2	N		20071022	KMYBA8BLS8C002276	
		5	33410-BA8-0000	SOCKET COMP., RH.WINKER	1	N		20070425	KMYBA8BLS7C000001	
		6	33440-BA8-0000	STAY COMP., FR.WINKER	2	N		20070425	KMYBA8BLS7C000001	
		7	33445-BA8-0000	INNER STAY A, WINKER	2	N		20070425	KMYBA8BLS7C000001	
		8	33450-BA8-0000-M1	WINKER ASS'Y, LH.FR.	1	Y	N	20070425	KMYBA8BLS7C000001	KMYBA8BLS8C002275
		8-1	33450-BA8-RZ00	WINKER ASS'Y, LH.FR.	1	Y		20071022	KMYBA8BLS8C002276	
		9	33451-BA8-0000	BASE, LH.FR.WINKER	1	N	N	20070425	KMYBA8BLS7C000001	KMYBA8BLS8C002275
		9-1	33451-BA8-RZ00	BASE, LH.FR.WINKER	1	N		20071022	KMYBA8BLS8C002276	
		10	33452-BA8-0000	LENS, LH.FR.WINKER	1	N		20070425	KMYBA8BLS7C000001	KMYBA8BLS8C002275
		11	33453-BA8-0000	REFLECTOR, LH.WINKER	1	N		20070425	KMYBA8BLS7C000001	KMYBA8BLS8C002275
		12	33460-BA8-0000	SOCKET COMP., LH.WINKER	1	N		20070425	KMYBA8BLS7C000001	
		13	34905-BA7-RB00	BULB, WINKER(12V 10W)	2	Y	N	20070425	KMYBA8BLS7C000001	KMYBA8BLS8C002275
			34905-SA2-RB00	BULB, WINKER(12V 10W)	2	Y		20071022	KMYBA8BLS8C002276	
		14	90505-BA6-6700	WASHER, 13x20	2	Y		20070425	KMYBA8BLS7C000001	

F-28

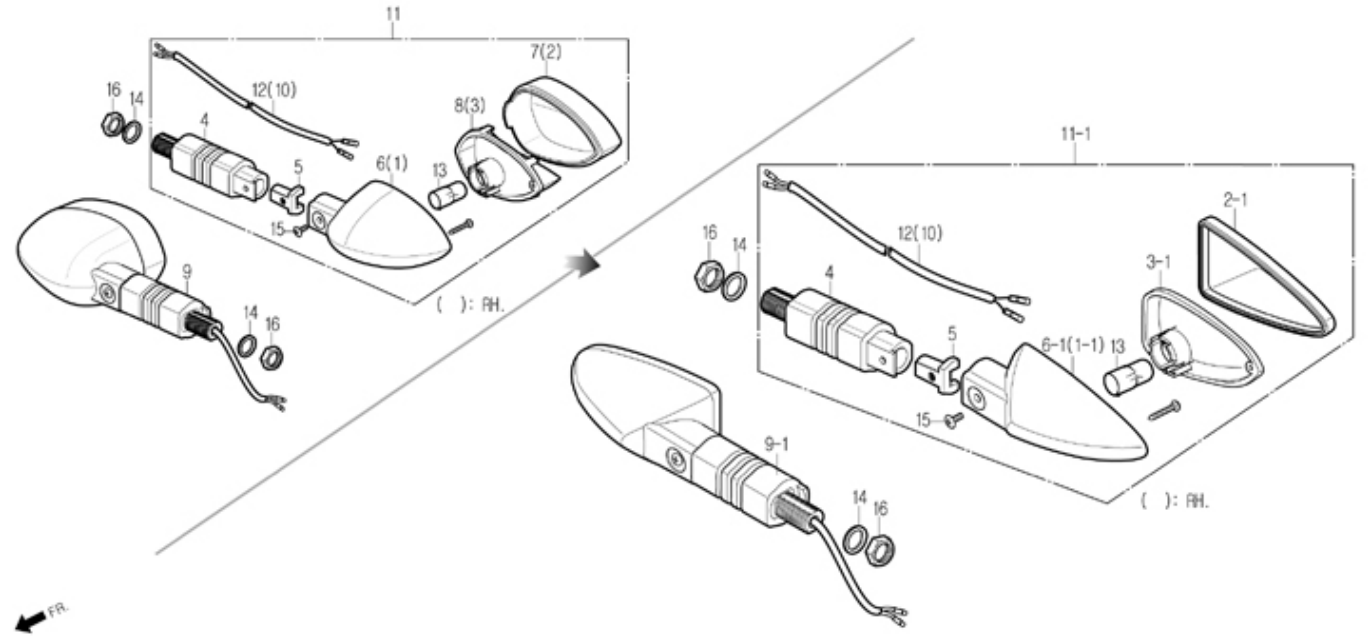
FRONT WINKER



Service item	FRT	Ref. No.	Part No.	Description	QTY	A/S	Exch	Start Date	Start FRM.No	End FRM.No
		15	S3903-24210	SCREW, TAPPING 4x10	2	N	N	20070425	KMYBA8BLS7C000001	KMYBA8BLS7C000357
			90111-BA1-MA00	SCREW, SPECIAL M4x10	2	N		20070515	KMYBA8BLS7C000358	
		16	S4001-12200-0S	NUT, HEX 12mm	2	Y		20070425	KMYBA8BLS7C000001	

F-29

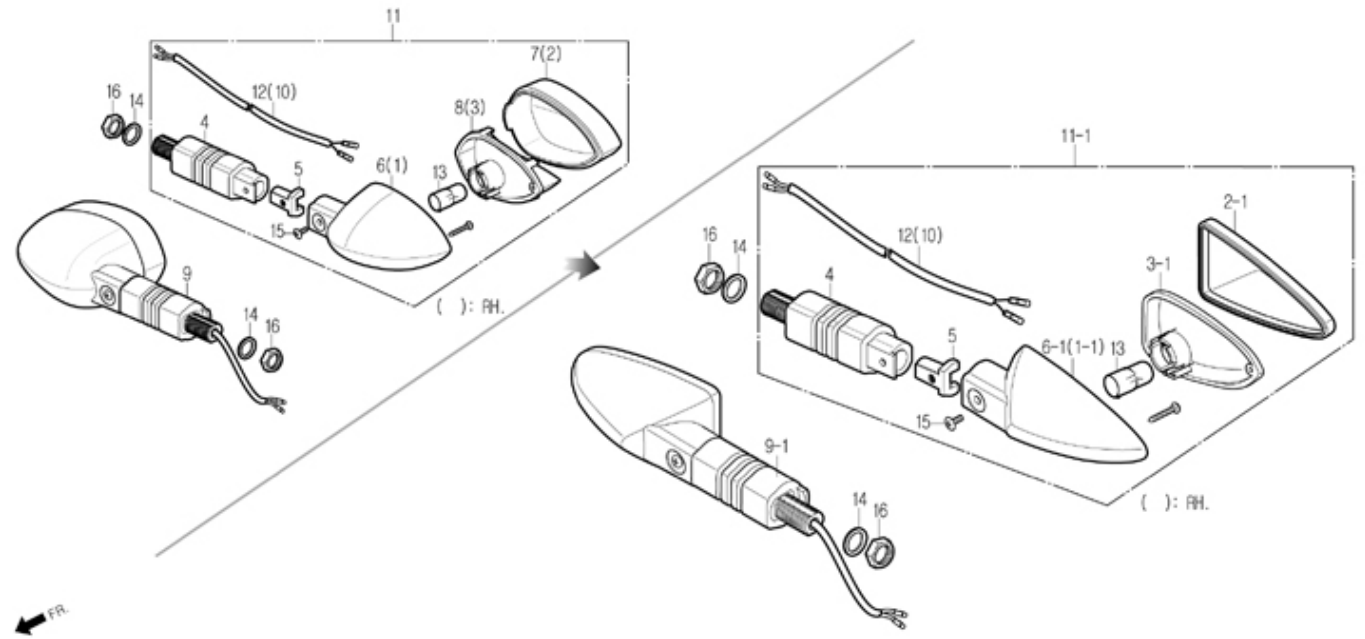
REAR WINKER



Service item	FRT	Ref. No.	Part No.	Description	QTY	A/S	Exch	Start Date	Start FRM.No	End FRM.No
WINKER ASS'Y, RR.	0.2	1	33401-BA8-0000	BASE, RH.FR.WINKER	1	N	N	20070425	KMYBA8BLS7C000001	KMYBA8BLS8C002275
LENS, WINKER	0.1	1-1	33401-BA8-RZ00	BASE, RH.FR.WINKER	1	N		20071022	KMYBA8BLS8C002276	
REFLECTOR, WINKER		2	33402-BA8-0000	LENS, RH.FR.WINKER	1	N	N	20070425	KMYBA8BLS7C000001	KMYBA8BLS8C002275
STAY COMP., RR.WINKER		2-1	33402-BA8-RZ00	LENS, RH.FR.WINKER	2	N		20071022	KMYBA8BLS8C002276	
BULB, WINKER		3	33403-BA8-0000	REFLECTOR, RH.WINKER	1	N	N	20070425	KMYBA8BLS7C000001	KMYBA8BLS8C002275
		3-1	33403-BA8-RZ00	REFLECTOR, RH.WINKER	2	N		20071022	KMYBA8BLS8C002276	
		4	33440-BA8-0000	STAY COMP., FR.WINKER	2	N		20070425	KMYBA8BLS7C000001	
		5	33445-BA8-0000	INNER STAY A, WINKER	2	N		20070425	KMYBA8BLS7C000001	
		6	33451-BA8-0000	BASE, LH.FR.WINKER	1	N	N	20070425	KMYBA8BLS7C000001	KMYBA8BLS8C002275
		6-1	33451-BA8-RZ00	BASE, LH.FR.WINKER	1	N		20071022	KMYBA8BLS8C002276	
		7	33452-BA8-0000	LENS, LH.FR.WINKER	1	N		20070425	KMYBA8BLS7C000001	KMYBA8BLS8C002275
		8	33453-BA8-0000	REFLECTOR, LH.WINKER	1	N		20070425	KMYBA8BLS7C000001	KMYBA8BLS8C002275
		9	33600-BA8-0000	WINKER ASS'Y, RH.RR.	1	Y	N	20070425	KMYBA8BLS7C000001	KMYBA8BLS8C002275
		9-1	33600-BA8-RZ00	WINKER ASS'Y, RH.RR.	1	Y		20071022	KMYBA8BLS8C002276	
		10	33610-BA8-0000	SOCKET COMP., RH.WINKER	1	N		20070425	KMYBA8BLS7C000001	
		11	33650-BA8-0000	WINKER ASS'Y, LH.RR.	1	Y	N	20070425	KMYBA8BLS7C000001	KMYBA8BLS8C002275
		11-1	33650-BA8-RZ00	WINKER ASS'Y, LH.RR.	1	Y		20071021	KMYBA8BLS8C002276	
		12	33660-BA8-0000	SOCKET COMP., LH.WINKER	1	N		20070425	KMYBA8BLS7C000001	
		13	34905-BA7-RB00	BULB, WINKER(12V 10W)	2	Y	N	20070425	KMYBA8BLS7C000001	KMYBA8BLS8C002275

F-29

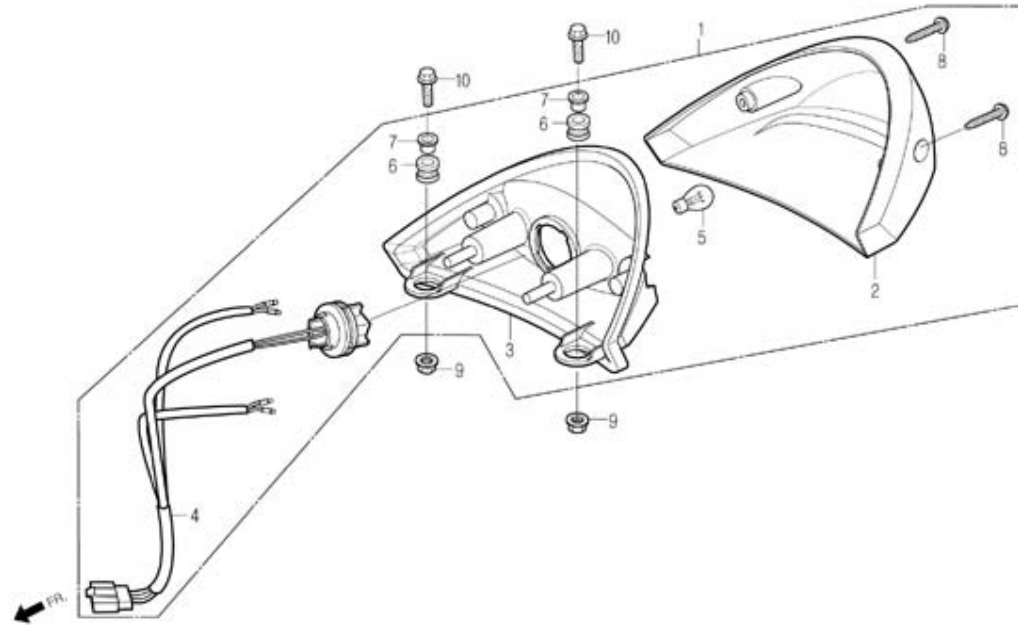
REAR WINKER



Service item	FRT	Ref. No.	Part No.	Description	QTY	A/S	Exch	Start Date	Start FRM.No	End FRM.No
			34905-SA2-RB00	BULB, WINKER(12V 10W)	2	Y		20071022	KMYBA8BLS8C002276	
		14	90505-BA6-6700	WASHER, 13x20	2	Y		20070425	KMYBA8BLS7C000001	
		15	S3903-24210	SCREW, TAPPING 4x10	2	N	N	20070425	KMYBA8BLS7C000001	KMYBA8BLS7C000357
			90111-BA1-MA00	SCREW, SPECIAL M4x10	2	N		20070515	KMYBA8BLS7C000358	
		16	S4001-12200-0S	NUT, HEX 12mm	2	Y		20070425	KMYBA8BLS7C000001	

F-30

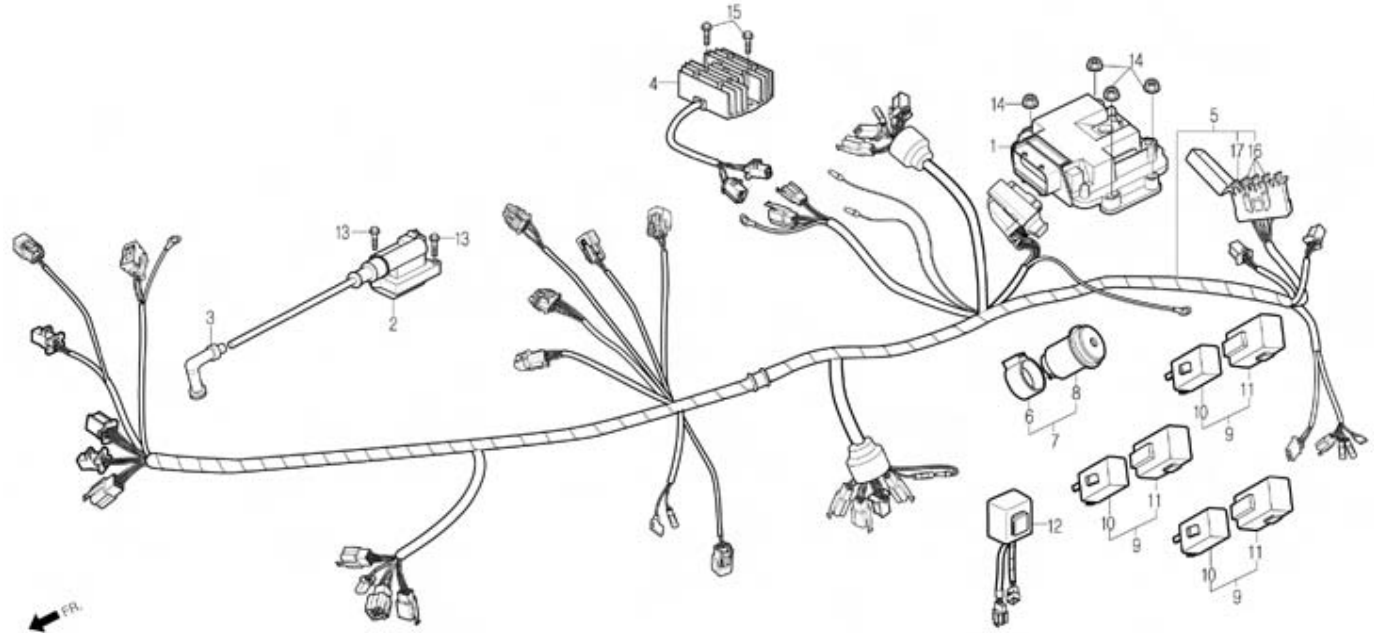
Å×ÀĪ ¶6ÀĒ® TAIL LIGHT



Service item	FRT	Ref. No.	Part No.	Description	QTY	EX AS	Start Date	End Date	Start FRM.No	End FRM.No
LIGHT ASS'Y, TAIL	0.3	1	33700-BA4-0000-M1	LIGHT ASS'Y, TAIL	1	Y	20070425		KMYBA8BLS7C000001	
LENS, TAIL LIGHT	0.1	2	33701-BA4-0000	LENS, TAIL LIGHT	1	Y	20070425		KMYBA8BLS7C000001	
SOCKET COMP., TAIL LIGHT	0.3	3	33702-BA4-0000	BASE, TAIL LIGHT	1	N	20070425		KMYBA8BLS7C000001	
BASE, TAIL LIGHT	0.1	4	33703-BA4-0000	SOCKET COMP., TAIL LIGHT	1	N	20070425		KMYBA8BLS7C000001	
BULB, TAIL & STOP		5	34906-BA7-RB00	BULB, TAIL & STOP(12V 21W/5W)	1	Y	20070425		KMYBA8BLS7C000001	
		6	64212-X10-0000	RUBBER, FR.COWL MOUNT	2	N	20070425		KMYBA8BLS7C000001	
		7	64213-X10-0000	COLLAR, FR.COWL SETTING	2	N	20070425		KMYBA8BLS7C000001	
		8	S3901-24580	SCREW, TAPPING 4x20	2	N	20070425		KMYBA8BLS7C000001	
		9	S4050-06080	NUT, FLANGE, 6mm	2	Y	20070425		KMYBA8BLS7C000001	
		10	S5701-06025-08	BOLT, FLANGE, 6x25	2	Y	20070425		KMYBA8BLS7C000001	

F-31

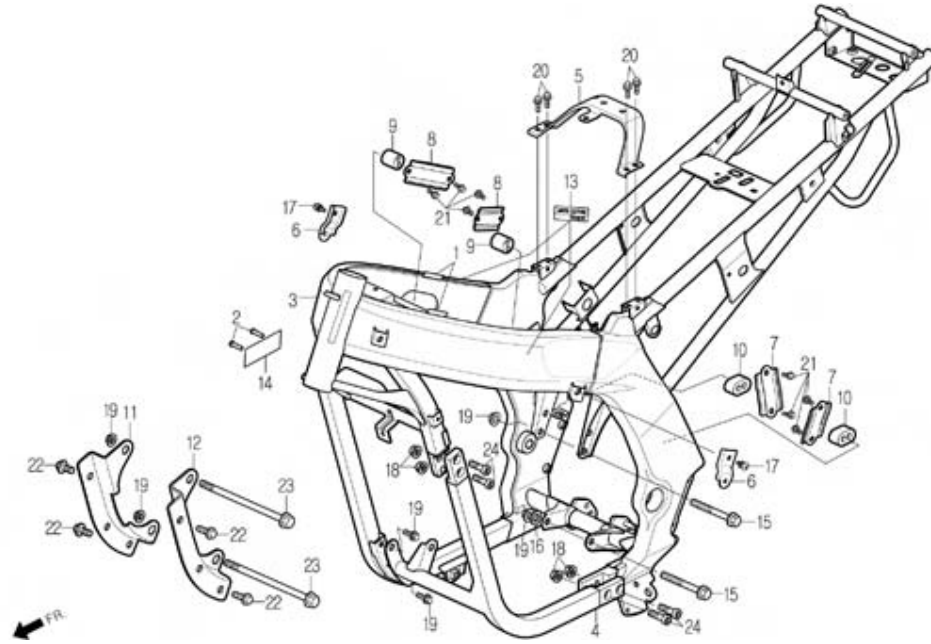
ՀԱՅՈՒՆ ԳԻՅՈՒՆ WIRE HARNESS



Արժույթի ծախսի Service item	FRT	Ref. No.	Part No.	Description	Գիշերի	QTY	EX AS	Start Date	End Date	Start FRM.No	End FRM.No
COIL COMP., IGNITION	0.1	1	30100-BA8-RZ00	UNIT, ENGINE CONTROL	ՀԵՆՈՒՆ ԳԻՅՈՒՆ	1	Y	20070425		KMYBA8BLS7C000001	
CAP ASS'Y, NOISE SUPPRESSOR	0.1	2	30510-BA4-R300	COIL COMP., IGNITION	ՈՒՆԻՎԵՐՍԱԿԱՆ ԳԻՅՈՒՆ	1	Y	20070425		KMYBA8BLS7C000001	
RECTIFIER ASS'Y, REGULATOR	0.1	3	30700-BA1-0000	CAP ASS'Y, NOISE SUPPRESSOR	ՌԵԿՏԻՖԻԿԱՆ ԳԻՅՈՒՆ	1	Y	20070425		KMYBA8BLS7C000001	
RELAY ASS'Y, WINKER	0.9	4	31600-SAB-0000-M1	RECTIFIER ASS'Y, REGULATOR	ՌԵԿՏԻՖԻԿԱՆ ԳԻՅՈՒՆ	1	Y	20070425		KMYBA8BLS7C000001	
HARNESS, WIRE		5	32100-BA8-RZ00	HARNESS, WIRE	ՀԱՅՈՒՆ ԳԻՅՈՒՆ	1	Y	20070425		KMYBA8BLS7C000001	
		6	35856-SE4-0000	RUBBER, WINKER RELAY SHOCK	ՊԵՐՏԻՆՈՎԱԿԱՆ ԳԻՅՈՒՆ	1	N	20070425		KMYBA8BLS7C000001	
		7	3830A-SE4-0001	RELAY ASS'Y, AP WINKER	ՊԵՐՏԻՆՈՎԱԿԱՆ ԳԻՅՈՒՆ	1	Y	20070425		KMYBA8BLS7C000001	
		8	38301-BA6-0301-P	RELAY COMP., AP WINKER	ՊԵՐՏԻՆՈՎԱԿԱՆ ԳԻՅՈՒՆ	1	N	20070425		KMYBA8BLS7C000001	
		9	38500-BA4-0000	RELAY ASS'Y, LIGHT	ՊԵՐՏԻՆՈՎԱԿԱՆ ԳԻՅՈՒՆ	2	Y	20070425		KMYBA8BLS7C000001	
		10	38501-SE6-9800	RELAY COMP., START	ՊԵՐՏԻՆՈՎԱԿԱՆ ԳԻՅՈՒՆ	2	N	20070425		KMYBA8BLS7C000001	
		11	38506-BA4-0000	SUSPENSION, LIGHT RELAY	ՊԵՐՏԻՆՈՎԱԿԱՆ ԳԻՅՈՒՆ	2	N	20070425		KMYBA8BLS7C000001	
		12	3910A-BA8-0000-M1	FILTER ASS'Y, MOTOR EMI.	ՖԻԼՏՐԱՆ ԳԻՅՈՒՆ	1	Y	20070425		KMYBA8BLS7C000001	
		13	90112-BA7-0000	BOLT, FLANGE 5x22	ԵՆՏՈՒՆ ԳԻՅՈՒՆ	2	Y	20070425		KMYBA8BLS7C000001	
		14	S4050-06080	NUT, FLANGE, 6mm	ԵՆՏՈՒՆ ԳԻՅՈՒՆ	4	Y	20070425		KMYBA8BLS7C000001	
		15	S5701-06016-08	BOLT, FLANGE, 6x16	ԵՆՏՈՒՆ ԳԻՅՈՒՆ	2	Y	20070425		KMYBA8BLS7C000001	
		16	S8200-31500	BLADE FUSE 15A	ԳԻՅՈՒՆ ԳԻՅՈՒՆ	3	Y	20070425		KMYBA8BLS7C000001	
		17	S8200-33000	BLADE FUSE 30A	ԳԻՅՈՒՆ ԳԻՅՈՒՆ	1	Y	20070425		KMYBA8BLS7C000001	

F-32

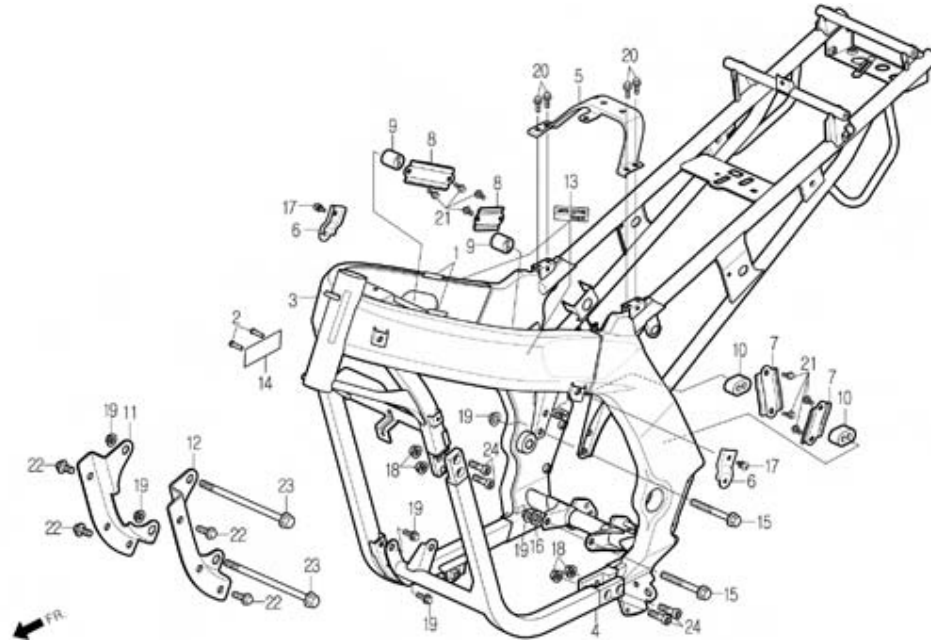
ÈÄ·ÀÓ °,μð FRAME BODY



ÁπñÇ×,ñ Service item	FRT	Ref. No.	Part No.	Description	í Ç° í	QTY AS	EX	Start Date	End Date	Start FRM.No	End FRM.No
BODY COMP., FRAME	5.5	1	17509-BA4-0000	CUSHION RUBBER, FUEL TANK COVER	Èþ;π ÁÈÀ© Á;ú ÁþÇ·ú	2	N	20070425		KMYBA8BLS7C000001	
		2	18323-BA7-RE00	RIVET, BLIND 3.2	°°óÁíμá ,@° 3.2	2	N	20070425		KMYBA8BLS7C000001	
		3	50100-BA8-0000	BODY COMP., FRAME	ÈÄ·ÀÓ °,μð ÁþÇÁ	1	Y	20070425		KMYBA8BLS7C000001	
		4	50121-BA8-0000	TUBE COMP., B, LH.DOWN	LH. Ú;í Æ°° ÁþÇÁ B	1	Y	20070425		KMYBA8BLS7C000001	
		5	50136-BA4-0000	STAY COMP., FUEL TANK RR.	Èþ;π ÁÈÀ© ,@° ½° Á×Àí ÁþÇÁ	1	Y	20070425		KMYBA8BLS7C000001	
		6	50149-BA8-0000	BRACKET, SIDE COWL	»çÁíμá Á°;í °°óÁí	2	Y	20070425		KMYBA8BLS7C000001	
		7	50182-BY0-0000	PLATE A, DAMPER RUBBER	úÆÚ ·ú ÇÁ·ÀíÆ° A	2	Y	20070425		KMYBA8BLS7C000001	
		8	50183-BY0-0000	PLATE B, DAMPER RUBBER	úÆÚ ·ú ÇÁ·ÀíÆ° B	2	Y	20070425		KMYBA8BLS7C000001	
		9	50215-BY0-0000	RUBBER A, DAMPER	úÆÚ ·ú A	2	Y	20070425		KMYBA8BLS7C000001	
		10	50216-BY0-0000	RUBBER B, RH.DAMPER	RH. úÆÚ ·ú B	2	Y	20070425		KMYBA8BLS7C000001	
		11	50351-BA8-0001	PLATE, RH.FR.ENGINE HANGER	RH.ÈÄ·ÐÆ° ;ÉÁø Çó°Á ÇÁ·ÀíÆ°	1	Y	20070425		KMYBA8BLS7C000001	
		12	50352-BA8-0000	PLATE, LH.FR.ENGINE HANGER	LH.ÈÄ·ÐÆ° ;ÉÁø Çó°Á ÇÁ·ÀíÆ°	1	Y	20070425		KMYBA8BLS7C000001	
		13	87178-BA8-RZ00-BK	MARK, WATER COOLING ENG.(BLACK)	;ðÁí Áð,μ ;ÉÁø °Á°(°ÈÁ»ø)	2	Y	20070425		KMYBA8BLS7C000001	
		14	87178-BA8-RZ00-SL	MARK, WATER COOLING ENG.(SILVER)	;ðÁí Áð,μ ;ÉÁø °Á°(Á°ø)	2	Y	20070425		KMYBA8BLS7C000001	
		15	87509-BA8-RZ00	DATA PLATE, MANUFACTURER'S	·°ÆääÁ·½° μÁíÁí ÇÁ·ÀíÆ°	1	N	20070425		KMYBA8BLS7C000001	
		15	90019-BA5-0000	BOLT, FLANGE 10x110	ÈÄ·Àó °4Æ° 10x110	2	Y	20070425		KMYBA8BLS7C000001	
		16	90426-CB2-0002	WASHER, MAGNETO FIXING	°;±×°Áä ÇÈ;ú ;í4Á	1	Y	20070425		KMYBA8BLS7C000001	
		17	S3891-05010-18	SCREW, WASHER 5x10	;í4Á ½°Á°·ú 5x10	2	Y	20070425		KMYBA8BLS7C000001	
		18	S4050-08080	NUT, FLANGE, 8mm	ÈÄ·Àó °ÈÆ° 8mm	4	Y	20070425		KMYBA8BLS7C000001	
		19	S4050-10080	NUT, FLANGE, 10mm	ÈÄ·Àó °ÈÆ° 10mm	4	Y	20070425		KMYBA8BLS7C000001	
		20	S5701-06010-08	BOLT, FLANGE, 6x10	ÈÄ·Àó °4Æ° 6x10	4	Y	20070425		KMYBA8BLS7C000001	

F-32

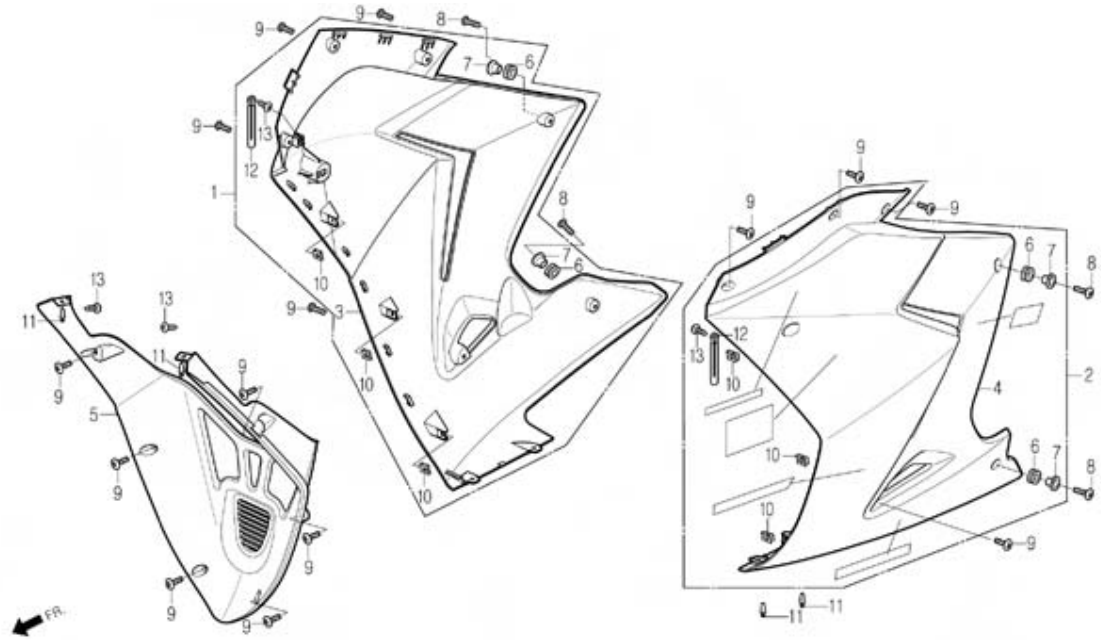
ÈÄ-ÀÓ °,μð FRAME BODY



Áπ°ñÇ×ñ Service item	FRT	Ref. No.	Part No.	Description	°í Ç° ,í	QTY AS	EX	Start Date	End Date	Start FRM.No	End FRM.No
		21	S5701-06016-08	BOLT, FLANGE, 6x16	ÈÄ-ÀÓ °¼Æ@ 6x16	8	Y	20070425		KMYBA8BLS7C000001	
		22	S5701-08012-08	BOLT, FLANGE, 8x12	ÈÄ-ÀÓ °¼Æ@ 8x12	4	Y	20070425		KMYBA8BLS7C000001	
		23	S5801-10140-08	BOLT, FLANGE, 10x140	ÈÄ-ÀÓ °¼Æ@ 10x140	2	Y	20070425		KMYBA8BLS7C000001	
		24	S6700-08025-00	BOLT, SOCKET, 8x25	¼ÖÄÍ °¼Æ@ 8x25	4	Y	20070425		KMYBA8BLS7C000001	

F-33

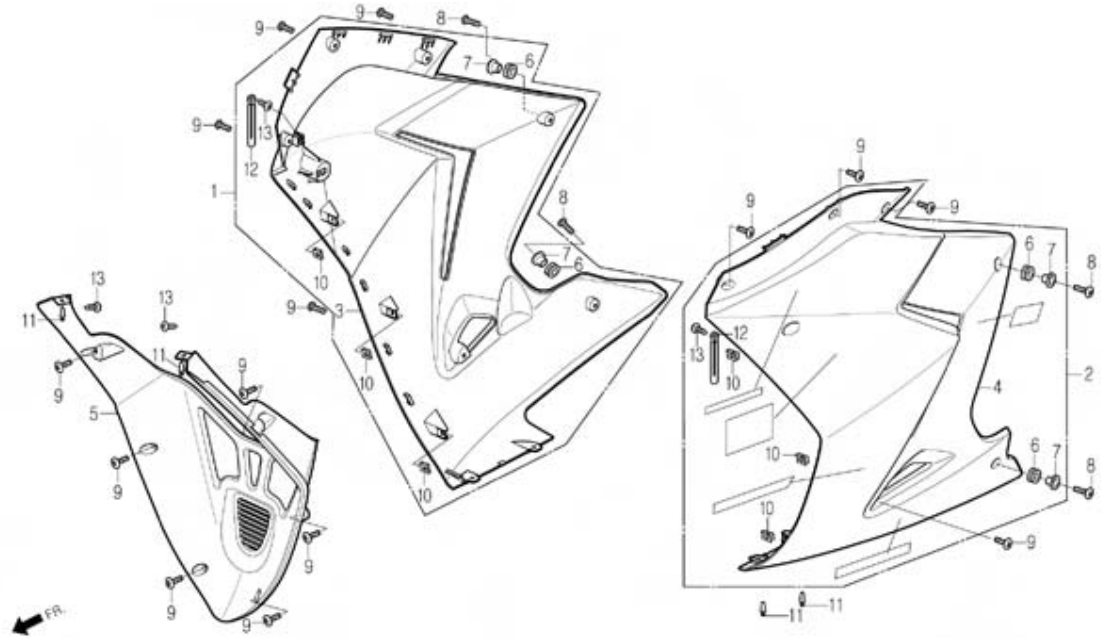
»çÀìµá Ä«çì SIDE COWL



Á«ñÇ×ñ Service item	FRT	Ref. No.	Part No.	Description	°í Ç° í	QTY AS	EX	Start Date	End Date	Start FRM.No	End FRM.No
		1	6430A-BA8-RZ00-GB	COWL ASS'Y, RH.SIDE(G/BBLUE)	RH.»çÀìµá Ä«çì ¾N¼¼Äì(°ÉÁ»»ð)	1	Y	20070425		KMYBA8BLS7C000001	
			6430A-BA8-RZ00-IB	COWL ASS'Y, RH.SIDE(I/BLUE)	RH.»çÀìµá Ä«çì ¾N¼¼Äì(ÁøÁ»»ð)	1	Y	20070425		KMYBA8BLS7C000001	
			6430A-BA8-RZ00-LR	COWL ASS'Y, RH.SIDE(L/RED)	RH.»çÀìµá Ä«çì ¾N¼¼Äì(íÁü»»ð)	1	Y	20070425		KMYBA8BLS7C000001	
			6430A-BA8-RZ00-WP	COWL ASS'Y, RH.SIDE(P/WHITE)	RH.»çÀìµá Ä«çì ¾N¼¼Äì(ÁøÁÖ¹é»»ð)	1	Y	20070425		KMYBA8BLS7C000001	
		2	6430B-BA8-RZ00-GB	COWL ASS'Y, LH.SIDE(G/BBLUE)	LH.»çÀìµá Ä«çì ¾N¼¼Äì(°ÉÁ»»ð)	1	Y	20070425		KMYBA8BLS7C000001	
			6430B-BA8-RZ00-IB	COWL ASS'Y, LH.SIDE(I/BLUE)	LH.»çÀìµá Ä«çì ¾N¼¼Äì(ÁøÁ»»ð)	1	Y	20070425		KMYBA8BLS7C000001	
			6430B-BA8-RZ00-LR	COWL ASS'Y, LH.SIDE(L/RED)	LH.»çÀìµá Ä«çì ¾N¼¼Äì(íÁü»»ð)	1	Y	20070425		KMYBA8BLS7C000001	
			6430B-BA8-RZ00-WP	COWL ASS'Y, LH.SIDE(P/WHITE)	LH.»çÀìµá Ä«çì ¾N¼¼Äì(ÁøÁÖ¹é»»ð)	1	Y	20070425		KMYBA8BLS7C000001	
		3	64301-BA8-0000-GB	COWL, RH.SIDE(G/BBLUE)	RH.»çÀìµá Ä«çì(°ÉÁ»»ð)	1	N	20070425		KMYBA8BLS7C000001	
			64301-BA8-0000-IB	COWL, RH.SIDE(I/BLUE)	RH.»çÀìµá Ä«çì(ÁøÁ»»ð)	1	N	20070425		KMYBA8BLS7C000001	
			64301-BA8-0000-LR	COWL, RH.SIDE(L/RED)	RH.»çÀìµá Ä«çì(íÁü»»ð)	1	N	20070425		KMYBA8BLS7C000001	
			64301-BA8-0000-WP	COWL, RH.SIDE(P/WHITE)	RH.»çÀìµá Ä«çì(ÁøÁÖ¹é»»ð)	1	N	20070425		KMYBA8BLS7C000001	
		4	64302-BA8-0000-GB	COWL, LH.SIDE(G/BBLUE)	LH.»çÀìµá Ä«çì(°ÉÁ»»ð)	1	N	20070425		KMYBA8BLS7C000001	
			64302-BA8-0000-IB	COWL, LH.SIDE(I/BLUE)	LH.»çÀìµá Ä«çì(ÁøÁ»»ð)	1	N	20070425		KMYBA8BLS7C000001	
			64302-BA8-0000-LR	COWL, LH.SIDE(L/RED)	LH.»çÀìµá Ä«çì(íÁü»»ð)	1	N	20070425		KMYBA8BLS7C000001	
			64302-BA8-0000-WP	COWL, LH.SIDE(P/WHITE)	LH.»çÀìµá Ä«çì(ÁøÁÖ¹é»»ð)	1	N	20070425		KMYBA8BLS7C000001	
		5	64303-BA8-0000-GB	COWL, CENTER(G/BBLUE)	Ä«çì ¼¾Äì(°ÉÁ»»ð)	1	Y	20070425		KMYBA8BLS7C000001	
			64303-BA8-0000-IB	COWL, CENTER(I/BLUE)	Ä«çì ¼¾Äì(ÁøÁ»»ð)	1	Y	20070425		KMYBA8BLS7C000001	
			64303-BA8-0000-LR	COWL, CENTER(L/RED)	Ä«çì ¼¾Äì(íÁü»»ð)	1	Y	20070425		KMYBA8BLS7C000001	
			64303-BA8-0000-WP	COWL, CENTER(P/WHITE)	Ä«çì ¼¾Äì(ÁøÁÖ¹é»»ð)	1	Y	20070425		KMYBA8BLS7C000001	
		6	80101-BA5-0000	RUBBER, RR.FENDER CUSHION	„@¾í ÉÓ Û Áí¼Ç -¹ð	4	Y	20070425		KMYBA8BLS7C000001	
		7	90001-BA5-0001	COLLAR, SIDE MOUNT	»çÀìµá Ä«çìÄ@ Á@¼ð	4	N	20070425		KMYBA8BLS7C000001	
		8	90115-CB4-0000	SCREW, FR.COVER SETTING 5x20	ÈÁ-ÐÆ@ Ä¼¹ð ¼ÄÆÁ ½²Á@-ù 5x20	4	Y	20070425		KMYBA8BLS7C000001	

F-33

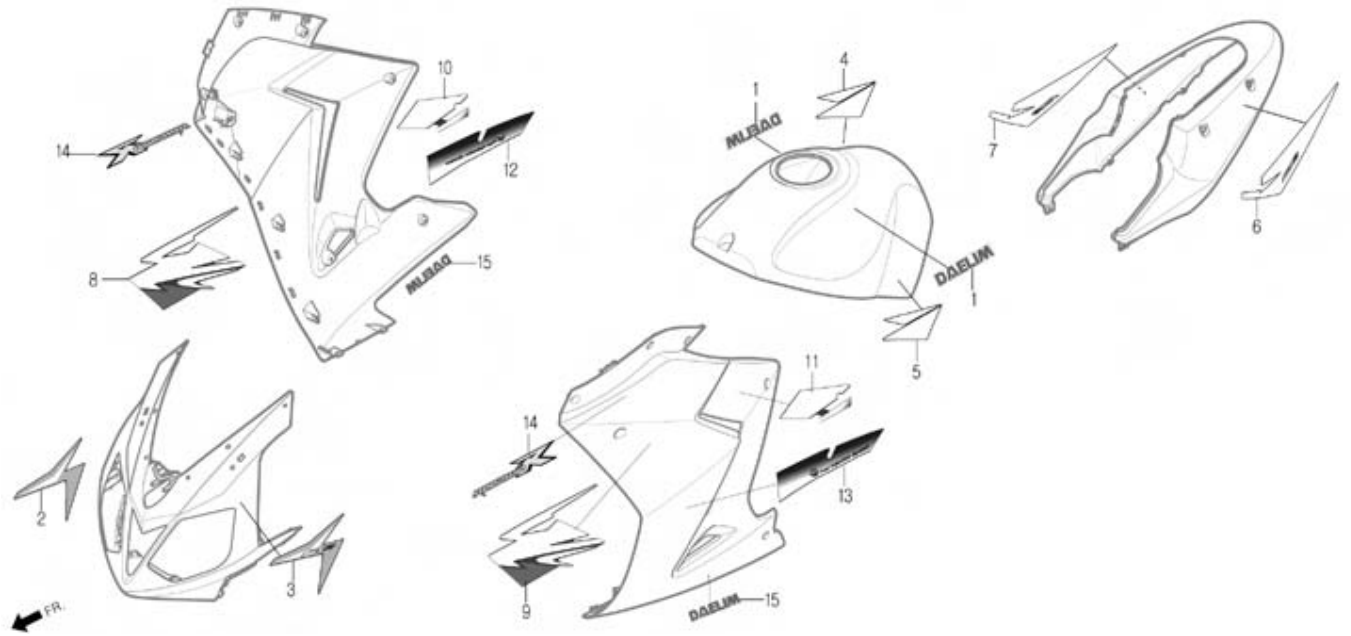
»çÀìµá Ä<çĩ SIDE COWL



ÁµñÇ×ñ Service item	FRT	Ref. No.	Part No.	Description	¶ Ĩ Ç° ĩ	QTY AS	EX	Start Date	End Date	Start FRM.No	End FRM.No
		9	90192-SB1-0000	SCREW, SPECIAL 5x12	½Æá¼È ½ºÁ©-ù 5x12	14	Y	20070425		KMYBA8BLS7C000001	
		10	90677-SE5-0030	NUT, CLIP 5mm	Ä-³³ÈÆ@ 5mm	6	Y	20070425		KMYBA8BLS7C000001	
		11	90683-SE5-0030	CLIP, BODY COVER	ºµð Äç'ò Ä-³	4	Y	20070425		KMYBA8BLS7C000001	
		12	91411-BA6-9600	CLIP, 2x90	Ä-³ 2x90	2	Y	20070425		KMYBA8BLS7C000001	
		13	S3903-25220	SCREW, TAPPING 5x12	ÄÇÇĩ ½ºÁ©-ù 5x12	4	Y	20070425		KMYBA8BLS7C000001	

F-34

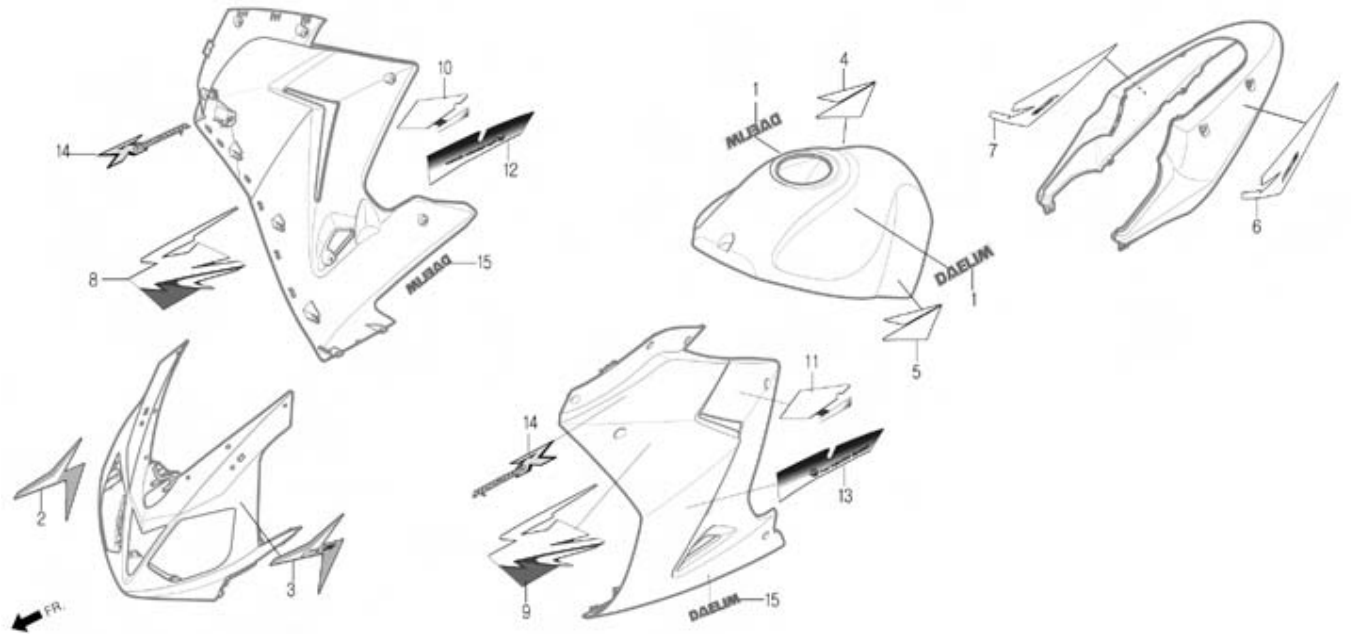
MARK



Service item	FRT	Ref. No.	Part No.	Description	Unit	QTY	EX AS	Start Date	End Date	Start FRM.No	End FRM.No
		1	17531-BA8-0000	MARK, FUEL TANK	ÈP; ÁÈÁ	2	Y	20070425		KMYBA8BLS7C000001	
		2	87121-BA8-0000-GB	STRIPE, RH.FR.COWL(G/BLUE)	RH.ÈÁ-ÐÈ@ Á«; ½È@¶óÀÌÇÁ(ÈÁ»ó)	1	Y	20070425		KMYBA8BLS7C000001	
			87121-BA8-0000-IB	STRIPE, RH.FR.COWL(I/BLUE)	RH.ÈÁ-ÐÈ@ Á«; ½È@¶óÀÌÇÁ(ÁøÁ»ó)	1	Y	20070425		KMYBA8BLS7C000001	
			87121-BA8-0000-LR	STRIPE, RH.FR.COWL(L/RED)	RH.ÈÁ-ÐÈ@ Á«; ½È@¶óÀÌÇÁ(íÁúó)	1	Y	20070425		KMYBA8BLS7C000001	
			87121-BA8-0000-WP	STRIPE, RH.FR.COWL(P/WHITE)	RH.ÈÁ-ÐÈ@ Á«; ½È@¶óÀÌÇÁ(ÁøÁÓ'ó)	1	Y	20070425		KMYBA8BLS7C000001	
		3	87122-BA8-RZ00-GB	STRIPE, LH.FR.COWL(G/BLUE)	LH.ÈÁ-ÐÈ@ Á«; ½È@¶óÀÌÇÁ(ÈÁ»ó)	1	Y	20070425		KMYBA8BLS7C000001	
			87122-BA8-RZ00-IB	STRIPE, LH.FR.COWL(I/BLUE)	LH.ÈÁ-ÐÈ@ Á«; ½È@¶óÀÌÇÁ(ÁøÁ»ó)	1	Y	20070425		KMYBA8BLS7C000001	
			87122-BA8-RZ00-LR	STRIPE, LH.FR.COWL(L/RED)	LH.ÈÁ-ÐÈ@ Á«; ½È@¶óÀÌÇÁ(íÁúó)	1	Y	20070425		KMYBA8BLS7C000001	
			87122-BA8-RZ00-WP	STRIPE, LH.FR.COWL(P/WHITE)	LH.ÈÁ-ÐÈ@ Á«; ½È@¶óÀÌÇÁ(ÁøÁÓ'ó)	1	Y	20070425		KMYBA8BLS7C000001	
		4	87125-BA8-0000-GB	STRIPE, RH.FUEL TANK(G/BLUE)	RH.ÈP; ÁÈÁ@ ½È@¶óÀÌÇÁ(ÈÁ»ó)	1	Y	20070425		KMYBA8BLS7C000001	
			87125-BA8-0000-IB	STRIPE, RH.FUEL TANK(I/BLUE)	RH.ÈP; ÁÈÁ@ ½È@¶óÀÌÇÁ(ÁøÁ»ó)	1	Y	20070425		KMYBA8BLS7C000001	
			87125-BA8-0000-LR	STRIPE, RH.FUEL TANK(L/RED)	RH.ÈP; ÁÈÁ@ ½È@¶óÀÌÇÁ(íÁúó)	1	Y	20070425		KMYBA8BLS7C000001	
			87125-BA8-0000-WP	STRIPE, RH.FUEL TANK(P/WHITE)	RH.ÈP; ÁÈÁ@ ½È@¶óÀÌÇÁ(ÁøÁÓ'ó)	1	Y	20070425		KMYBA8BLS7C000001	
		5	87126-BA8-0000-GB	STRIPE, LH.FUEL TANK(G/BLUE)	LH.ÈP; ÁÈÁ@ ½È@¶óÀÌÇÁ(ÈÁ»ó)	1	Y	20070425		KMYBA8BLS7C000001	
			87126-BA8-0000-IB	STRIPE, LH.FUEL TANK(I/BLUE)	LH.ÈP; ÁÈÁ@ ½È@¶óÀÌÇÁ(ÁøÁ»ó)	1	Y	20070425		KMYBA8BLS7C000001	
			87126-BA8-0000-LR	STRIPE, LH.FUEL TANK(L/RED)	LH.ÈP; ÁÈÁ@ ½È@¶óÀÌÇÁ(íÁúó)	1	Y	20070425		KMYBA8BLS7C000001	
			87126-BA8-0000-WP	STRIPE, LH.FUEL TANK(P/WHITE)	LH.ÈP; ÁÈÁ@ ½È@¶óÀÌÇÁ(ÁøÁÓ'ó)	1	Y	20070425		KMYBA8BLS7C000001	
		6	87127-BA8-RZ00-GB	STRIPE, RH.RR.COWL(G/BLUE)	RH. @; Á«; ½È@¶óÀÌÇÁ(ÈÁ»ó)	1	Y	20070425		KMYBA8BLS7C000001	
			87127-BA8-RZ00-IB	STRIPE, RH.RR.COWL(I/BLUE)	RH. @; Á«; ½È@¶óÀÌÇÁ(ÁøÁ»ó)	1	Y	20070425		KMYBA8BLS7C000001	
			87127-BA8-RZ00-LR	STRIPE, RH.RR.COWL(L/RED)	RH. @; Á«; ½È@¶óÀÌÇÁ(íÁúó)	1	Y	20070425		KMYBA8BLS7C000001	
			87127-BA8-RZ00-WP	STRIPE, RH.RR.COWL(P/WHITE)	RH. @; Á«; ½È@¶óÀÌÇÁ(ÁøÁÓ'ó)	1	Y	20070425		KMYBA8BLS7C000001	
		7	87128-BA8-RZ00-GB	STRIPE, LH.RR.COWL(G/BLUE)	LH. @; Á«; ½È@¶óÀÌÇÁ(ÈÁ»ó)	1	Y	20070425		KMYBA8BLS7C000001	
			87128-BA8-RZ00-IB	STRIPE, LH.RR.COWL(I/BLUE)	LH. @; Á«; ½È@¶óÀÌÇÁ(ÁøÁ»ó)	1	Y	20070425		KMYBA8BLS7C000001	

F-34

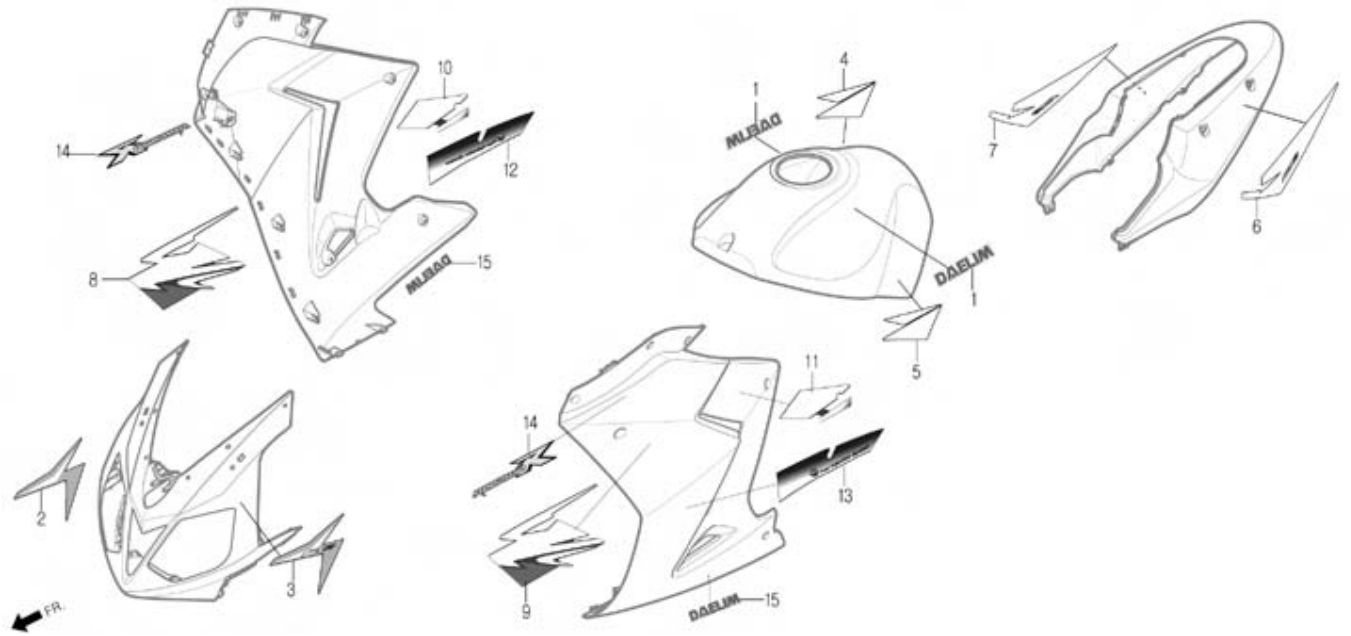
MARK



Service item	FRT	Ref. No.	Part No.	Description	Unit	EX	Start Date	End Date	Start FRM.No	End FRM.No
		8	87128-BA8-RZ00-LR	STRIPE, LH.RR.COWL(L/RED)	LH. »çÀlµà Á«çì ½²E@¶óÀlÇÁ(íÀû»ð)	1	20070425		KMYBA8BLS7C000001	
			87128-BA8-RZ00-WP	STRIPE, LH.RR.COWL(P/WHITE)	LH. »çÀlµà Á«çì ½²E@¶óÀlÇÁ(ÁóÁÓ¹é»ð)	1	20070425		KMYBA8BLS7C000001	
			87171-BA8-0000-GB	STRIPE B, RH.SIDE COWL(G/B/LUE)	RH.»çÀlµà Á«çì ½²E@¶óÀlÇÁB(°ÉÁ»ð)	1	20070425		KMYBA8BLS7C000001	
			87171-BA8-0000-IB	STRIPE B, RH.SIDE COWL(I/BLUE)	RH.»çÀlµà Á«çì ½²E@¶óÀlÇÁB(ÁóÁ»ð)	1	20070425		KMYBA8BLS7C000001	
			87171-BA8-0000-LR	STRIPE B, RH.SIDE COWL(L/RED)	RH.»çÀlµà Á«çì ½²E@¶óÀlÇÁB(íÀû»ð)	1	20070425		KMYBA8BLS7C000001	
			87171-BA8-0000-WP	STRIPE B, RH.SIDE COWL(P/WHITE)	RH.»çÀlµà Á«çì ½²E@¶óÀlÇÁB(ÁóÁÓ¹é»ð)	1	20070425		KMYBA8BLS7C000001	
		9	87172-BA8-0000-GB	STRIPE B, LH.SIDE COWL(G/B/LUE)	LH.»çÀlµà Á«çì ½²E@¶óÀlÇÁB(°ÉÁ»ð)	1	20070425		KMYBA8BLS7C000001	
			87172-BA8-0000-IB	STRIPE B, LH.SIDE COWL(I/BLUE)	LH.»çÀlµà Á«çì ½²E@¶óÀlÇÁB(ÁóÁ»ð)	1	20070425		KMYBA8BLS7C000001	
			87172-BA8-0000-LR	STRIPE B, LH.SIDE COWL(L/RED)	LH.»çÀlµà Á«çì ½²E@¶óÀlÇÁB(íÀû»ð)	1	20070425		KMYBA8BLS7C000001	
			87172-BA8-0000-WP	STRIPE B, LH.SIDE COWL(P/WHITE)	LH.»çÀlµà Á«çì ½²E@¶óÀlÇÁB(ÁóÁÓ¹é»ð)	1	20070425		KMYBA8BLS7C000001	
		10	87173-BA8-0000-GB	STRIPE C, RH.SIDE COWL(G/B/LUE)	RH.»çÀlµà Á«çì ½²E@¶óÀlÇÁC(°ÉÁ»ð)	1	20070425		KMYBA8BLS7C000001	
			87173-BA8-0000-IB	STRIPE C, RH.SIDE COWL(I/BLUE)	RH.»çÀlµà Á«çì ½²E@¶óÀlÇÁC(ÁóÁ»ð)	1	20070425		KMYBA8BLS7C000001	
			87173-BA8-0000-LR	STRIPE C, RH.SIDE COWL(L/RED)	RH.»çÀlµà Á«çì ½²E@¶óÀlÇÁC(íÀû»ð)	1	20070425		KMYBA8BLS7C000001	
			87173-BA8-0000-WP	STRIPE C, RH.SIDE COWL(P/WHITE)	RH.»çÀlµà Á«çì ½²E@¶óÀlÇÁC(ÁóÁÓ¹é»ð)	1	20070425		KMYBA8BLS7C000001	
		11	87174-BA8-0000-GB	STRIPE C, LH.SIDE COWL(G/B/LUE)	LH.»çÀlµà Á«çì ½²E@¶óÀlÇÁC(°ÉÁ»ð)	1	20070425		KMYBA8BLS7C000001	
			87174-BA8-0000-IB	STRIPE C, LH.SIDE COWL(I/BLUE)	LH.»çÀlµà Á«çì ½²E@¶óÀlÇÁC(ÁóÁ»ð)	1	20070425		KMYBA8BLS7C000001	
			87174-BA8-0000-LR	STRIPE C, LH.SIDE COWL(L/RED)	LH.»çÀlµà Á«çì ½²E@¶óÀlÇÁC(íÀû»ð)	1	20070425		KMYBA8BLS7C000001	
			87174-BA8-0000-WP	STRIPE C, LH.SIDE COWL(P/WHITE)	LH.»çÀlµà Á«çì ½²E@¶óÀlÇÁC(ÁóÁÓ¹é»ð)	1	20070425		KMYBA8BLS7C000001	
		12	87175-BA8-0000-GB	STRIPE D, RH.SIDE COWL(G/B/LUE)	RH.»çÀlµà Á«çì ½²E@¶óÀlÇÁD(°ÉÁ»ð)	1	20070425		KMYBA8BLS7C000001	
			87175-BA8-0000-IB	STRIPE D, RH.SIDE COWL(I/BLUE)	RH.»çÀlµà Á«çì ½²E@¶óÀlÇÁD(ÁóÁ»ð)	1	20070425		KMYBA8BLS7C000001	
			87175-BA8-0000-LR	STRIPE D, RH.SIDE COWL(L/RED)	RH.»çÀlµà Á«çì ½²E@¶óÀlÇÁD(íÀû»ð)	1	20070425		KMYBA8BLS7C000001	
			87175-BA8-0000-WP	STRIPE D, RH.SIDE COWL(P/WHITE)	RH.»çÀlµà Á«çì ½²E@¶óÀlÇÁD(ÁóÁÓ¹é»ð)	1	20070425		KMYBA8BLS7C000001	
		13	87176-BA8-0000-GB	STRIPE D, LH.SIDE COWL(G/B/LUE)	LH.»çÀlµà Á«çì ½²E@¶óÀlÇÁD(°ÉÁ»ð)	1	20070425		KMYBA8BLS7C000001	

F-34

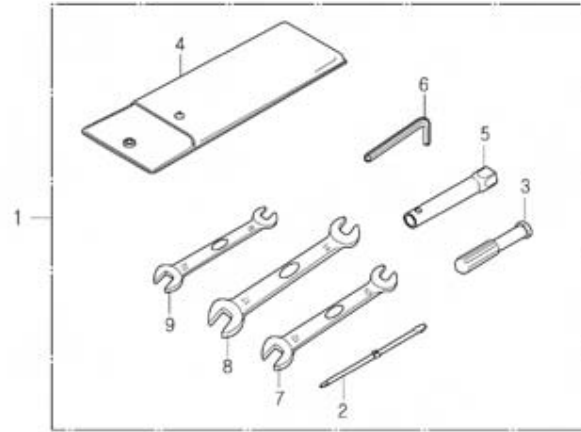
REGISTERED
MARK



Service item	FRT	Ref. No.	Part No.	Description	Unit	QTY	EX AS	Start Date	End Date	Start FRM.No	End FRM.No
			87176-BA8-0000-IB	STRIPE D, LH.SIDE COWL(I/BLUE)	LH.»çÀlµá Á«çî ½²Æ@¶óÀlÇÁD(ÁøÃ»»ö)	1	Y	20070425		KMYBA8BLS7C000001	
			87176-BA8-0000-LR	STRIPE D, LH.SIDE COWL(L/RED)	LH.»çÀlµá Á«çî ½²Æ@¶óÀlÇÁD(íÀù»ö)	1	Y	20070425		KMYBA8BLS7C000001	
			87176-BA8-0000-WP	STRIPE D, LH.SIDE COWL(P/WHITE)	LH.»çÀlµá Á«çî ½²Æ@¶óÀlÇÁD(ÁøÁÖ'é»ö)	1	Y	20070425		KMYBA8BLS7C000001	
	14		87177-BA8-RZ00-GB	STRIPE A, SIDE COWL(G/BLUE)	»çÀlµá Á«çî ½²Æ@¶óÀlÇÁÁ(°ÉÁ»»ö)	2	Y	20070425		KMYBA8BLS7C000001	
			87177-BA8-RZ00-IB	STRIPE A, SIDE COWL(I/BLUE)	»çÀlµá Á«çî ½²Æ@¶óÀlÇÁÁ(ÁøÃ»»ö)	2	Y	20070425		KMYBA8BLS7C000001	
			87177-BA8-RZ00-LR	STRIPE A, SIDE COWL(L/RED)	»çÀlµá Á«çî ½²Æ@¶óÀlÇÁÁ(íÀù»ö)	2	Y	20070425		KMYBA8BLS7C000001	
			87177-BA8-RZ00-WP	STRIPE A, SIDE COWL(P/WHITE)	»çÀlµá Á«çî ½²Æ@¶óÀlÇÁÁ(ÁøÁÖ'é»ö)	2	Y	20070425		KMYBA8BLS7C000001	
	15		87179-BA8-0000-GB	STRIPE E, SIDE COWL(G/BLUE)	»çÀlµá Á«çî ½²Æ@¶óÀlÇÁÉ(°ÉÁ»»ö)	2	Y	20070425		KMYBA8BLS7C000001	
			87179-BA8-0000-IB	STRIPE E, SIDE COWL(I/BLUE)	»çÀlµá Á«çî ½²Æ@¶óÀlÇÁÉ(ÁøÃ»»ö)	2	Y	20070425		KMYBA8BLS7C000001	
			87179-BA8-0000-LR	STRIPE E, SIDE COWL(L/RED)	»çÀlµá Á«çî ½²Æ@¶óÀlÇÁÉ(íÀù»ö)	2	Y	20070425		KMYBA8BLS7C000001	
			87179-BA8-0000-WP	STRIPE E, SIDE COWL(P/WHITE)	»çÀlµá Á«çî ½²Æ@¶óÀlÇÁÉ(ÁøÁÖ'é»ö)	2	Y	20070425		KMYBA8BLS7C000001	

F-35

TOOL



Service item	FRT	Ref. No.	Part No.	Description	QTY	EX AS	Start Date	End Date	Start FRM.No	End FRM.No
		1	89010-BA1-RB00	TOOL SET	1	Y	20070425		KMYBA8BLS7C000001	
		2	89102-CB2-0000	DRIVER, NO.2 PLUS, MINUS	1	N	20070425		KMYBA8BLS7C000001	
		3	89103-CB2-0001	GRIP	1	N	20070425		KMYBA8BLS7C000001	
		4	89104-SZ1-0000	TOOL BAG 160mm.	1	N	20070425		KMYBA8BLS7C000001	
		5	89216-BA1-0000	BOX WRENCH	1	N	20070425		KMYBA8BLS7C000001	
		6	89221-BA5-0000	HEX WRENCH, 5	1	N	20070425		KMYBA8BLS7C000001	
		7	S9001-BA7-0300-M1	SPANNER, 10x12	1	N	20070425		KMYBA8BLS7C000001	
		8	S9001-BA7-0600-M1	SPANNER, 14X17	1	N	20070425		KMYBA8BLS7C000001	
		9	S9001-08100	SPANNER, 8x10	1	N	20070425		KMYBA8BLS7C000001	