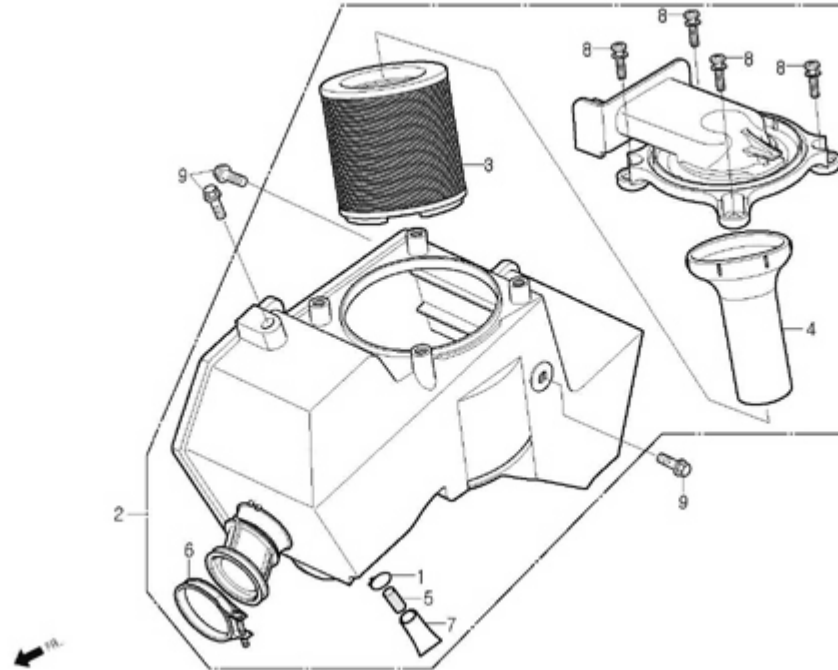


F-18

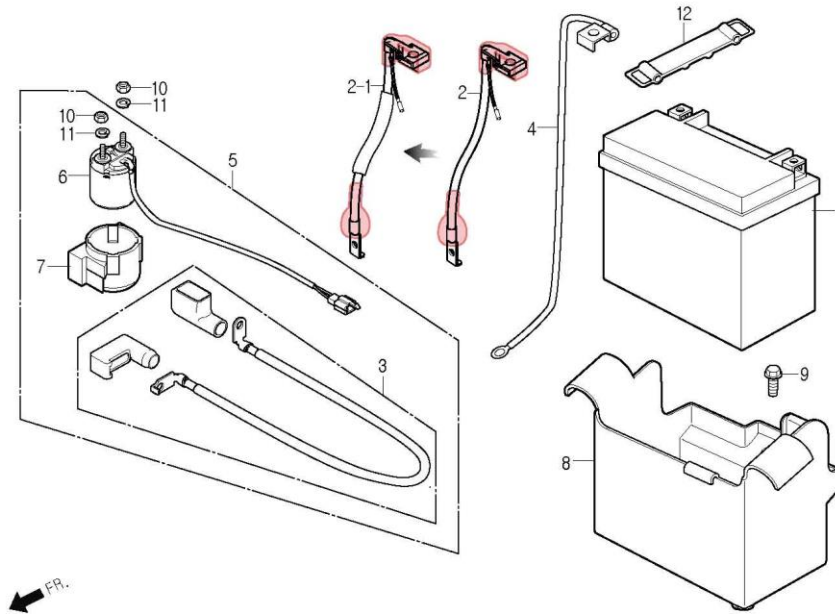
AIR CLEANER



Service Item	FRT	Ref. No.	Part No.	Description	QTY	A/S	Exch	Start Date	Start FRM.No	End FRM.No
CLEANER ASS'Y, AIR ELEMENT, AIR CLEANER	0.4	1	15772-BA7-0100	CLIP, BREATHER TUBE	1	N		20061214	KMYBA4BLS7C300001	
	0.1	2	17200-BA4-R300	CLEANER ASS'Y, AIR	1	Y		20061214	KMYBA4BLS7C300001	
		3	17213-BA4-0000	ELEMENT, AIR CLEANER	1	Y		20061214	KMYBA4BLS7C300001	
		4	17260-BA4-0000	PIPE, AIR CLEANER INNER	1	N		20061214	KMYBA4BLS7C300001	
		5	17337-BA7-3000	FILTER	1	Y		20061214	KMYBA4BLS7C300001	
		6	17256-BA1-R300	BAND B, AIR CLEANER CONNECTING TUBE 50	1	N		20061214	KMYBA4BLS7C300001	
		7	17358-BA7-0000	TUBE, DRAIN	1	N		20061214	KMYBA4BLS7C300001	
		8	S3891-05012-07	SCREW, WASHER 5x12	4	N		20061214	KMYBA4BLS7C300001	
		9	S5701-06010-08	BOLT, FLANGE 6x10	3	N	Y	20061214	KMYBA4BLS7C300001	KMYBA4BLSAC304583
			S5701-06010-00	BOLT, FLANGE 6x10	3	Y		20100501	KMYBA4BLSAC304584	

F-19

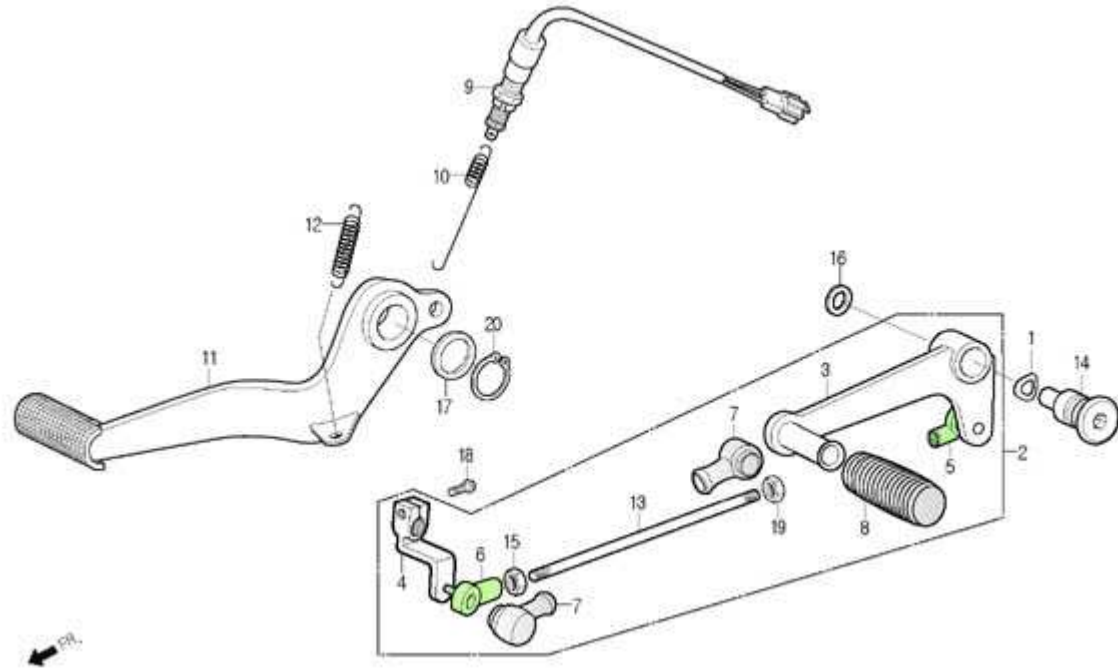
BATTERY



Service item	FRT	Ref No.	Part No.	Description	QTY	A/S	Exch	Start Date	End Date	Start FRM.No	End FRM.No
BATTERY ASS'Y, 12V 10AH 0.3		1	31500-BA4-0000-M1	BATTERY, 12V 10AH(MF)	1	Y		20061214		KMYBA4BLS7C300001	
		2	32401-BA4-0000	CABLE, START MAG.BATTERY(+)	1	N	Y	20061214	20091109	KMYBA4BLS7C300001	KMYBA4BLSAC304123
SWITCH ASS'Y, START MAGNETIC 0.3		2-1	32401-BA4-0010	CABLE, START MAG.BATTERY(+)	1	Y		20091110		KMYBA4BLSAC304124	
· CABLE, START MAGNETIC BATTERY		3	32410-BA4-0000	CABLE, START MOTOR	1	Y		20061214		KMYBA4BLS7C300001	
· CABLE, START MOTOR		4	32601-BA4-R300	CABLE, BATTERY EARTH	1	Y		20061214		KMYBA4BLS7C300001	
		5	3585A-BA4-0000	SWITCH SET, START MAGNETIC	1	Y		20061214		KMYBA4BLS7C300001	
		6	35850-SA1-0000	SWITCH ASS'Y, START MAGNETIC	1	Y		20061214		KMYBA4BLS7C300001	
		7	35856-BA6-8300	SHOCK RUBBER, MAGNETIC	1	N		20061214		KMYBA4BLS7C300001	
		8	50320-BA4-0000	BOX, BATTERY	1	Y		20061214		KMYBA4BLS7C300001	
		9	90111-SE5-1000	BOLT, FLANGE, 6mm	1	Y		20061214		KMYBA4BLS7C300001	
		10	S4002-06080-0S	NUT, HEX, 6mm(Y)	2	N		20061214		KMYBA4BLS7C300001	
		11	S4111-06800	WASHER, SPRING, 6mm	2	N		20061214		KMYBA4BLS7C300001	
		12	S5012-15001	BAND D, BATTERY	1	Y		20061214		KMYBA4BLS7C300001	

F-20

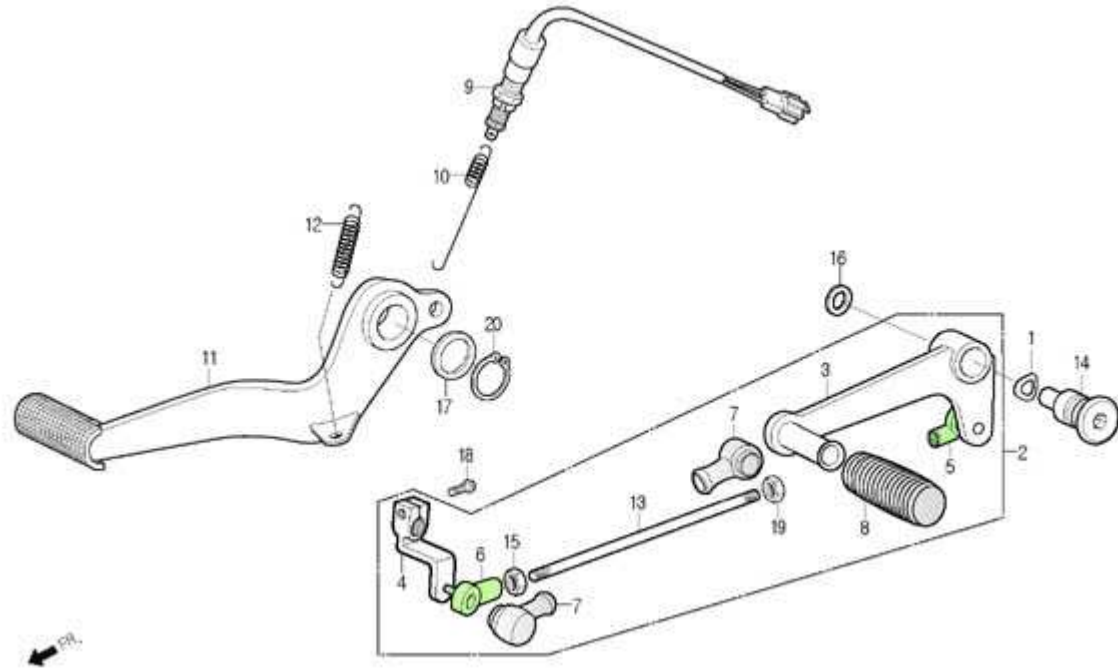
BRAKE / CHANGE PEDAL



Service Item	FRT	Ref. No.	Part No.	Description	QTY	A/S	Exch	Start Date	Start FRM.No	End FRM.No
PEDAL ASS'Y, GEAR CHANGE	0.1	1	16187-CB3-0000	SPRING, WAVE WASHER	1	Y		20061214	KMYBA4BLS7C300001	
BOLT, TIE ROD	0.2	2	24700-BA4-0010	PEDAL ASS'Y, GEAR CHANGE	1	Y		20061214	KMYBA4BLS7C300001	
SWITCH ASS'Y, RR.STOP	0.2	3	24701-BA4-0010	PEDAL, GEAR CHANGE	1	N		20061214	KMYBA4BLS7C300001	
PEDAL COMP., RR.BRAKE		4	24711-BA4-0000	ARM, GEAR CHANGE	1	N		20061214	KMYBA4BLS7C300001	
		5	24721-BA4-0000-M1	TIE ROD, A	1	N		20061214	KMYBA4BLS7C300001	
		6	24722-BA4-0000-M1	TIE ROD, B	1	N		20081229	KMYBA4BLS9C302605	
		7	24724-BA4-0000-M1	COVER, DUST	2	N		20061214	KMYBA4BLS7C300001	
		8	24781-BA4-0000-M1	RUBBER, CHANGE PEDAL	1	N		20061214	KMYBA4BLS7C300001	
		9	35350-BA6-9600-M1	SWITCH ASS'Y, RR.STOP	1	Y		20061214	KMYBA4BLS7C300001	
		10	35357-BA7-9000	SPRING, STOP SWITCH	1	Y		20061214	KMYBA4BLS7C300001	
		11	46500-BA4-0000	PEDAL COMP., RR.BRAKE	1	Y		20061214	KMYBA4BLS7C300001	
		12	46514-BA4-0000	SPRING, RR.BRAKE PEDAL	1	Y		20061214	KMYBA4BLS7C300001	
		13	90065-BA4-0000-M1	BOLT, TIE ROD	1	N		20061214	KMYBA4BLS7C300001	
		14	90115-BA4-0000	BOLT, GEAR CHANGE PIVOT	1	N	Y	20061214	KMYBA4BLS7C300001	KMYBA4BLSAC304462
			90115-BA4-0010	BOLT, GEAR CHANGE PIVOT	1	Y		20100320	KMYBA4BLSAC304463	
		15	90201-BA6-0000	NUT, TIE ROD	1	N		20061214	KMYBA4BLS7C300001	
		16	90520-BA4-0000	WASHER, PLAIN 8.5x20	1	Y		20061214	KMYBA4BLS7C300001	
		17	90525-BA4-0000	WASHER, PLAIN 15.2x25	1	Y		20061214	KMYBA4BLS7C300001	
		18	S2101-06020-0H	BOLT, HEX 6x20	1	N	Y	20061214	KMYBA4BLS7C300001	KMYBA4BLSAC304583
			S2101-06020-0A	BOLT, HEX 6x20	1	Y		20100501	KMYBA4BLSAC304584	
		19	S4002-06070-0S	NUT, HEX 6mm(B/K)	1	N		20061214	KMYBA4BLS7C300001	

F-20

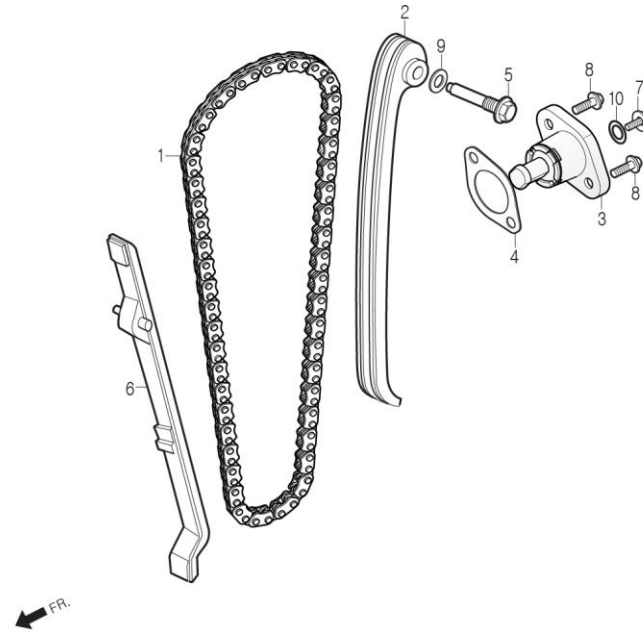
BRAKE / CHANGE PEDAL



Service Item	FRT	Ref. No.	Part No.	Description	QTY	A/S	Exch	Start Date	Start FRM.No	End FRM.No
		20	S4511-14000	CIR CLIP, EXTERNAL 14mm	1	Y		20061214	KMYBA4BLS7C300001	

E-04

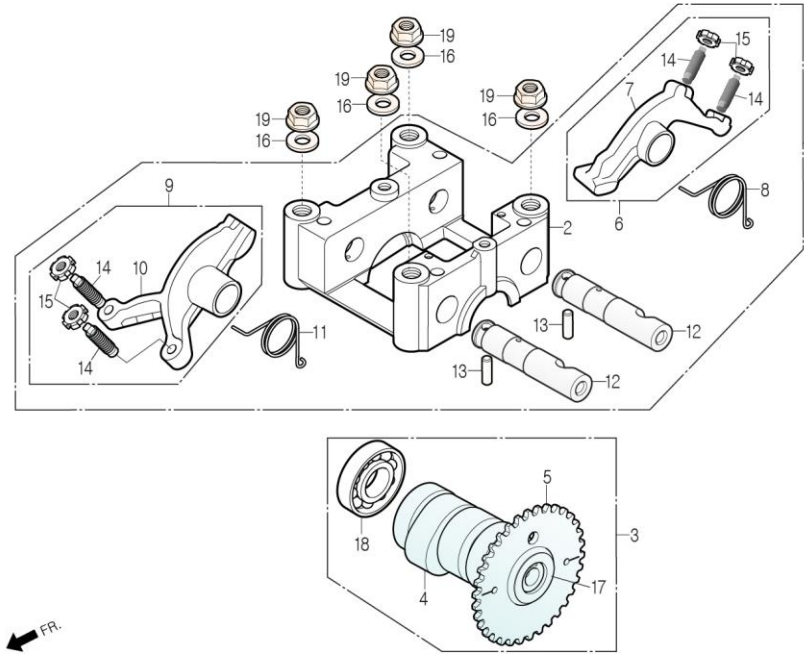
CAM CHAIN / TENSIONER



Service item	FRT	Ref No.	Part No.	Description	QTY	A/S	Exch	Start Date	End Date	Start FRM.No	End FRM.No
CHAIN, CAM	*1.6	1	14401-BA6-9610-M1	CHAIN, CAM (82RH2005-98M)	1	N	Y	20061214	20140213	KMYBA4BLS7C300001	KMYBA4BLSEC307132
			14401-BA4-0000-M1	CHAIN, CAM (98L)	1	Y		20140214		KMYBA4BLSEC307133	
TENSIONER, CAM CHAIN	*0.6	2	14500-BA6-9600	TENSIONER, CAM CHAIN	1	Y		20061214		KMYBA4BLS7C300001	
		3	14520-BA1-0000	LIFTER ASS'Y, TENSIONER	1	N	Y	20061214	20140721	KMYBA4BLS7C300001	KMYBA4BLSFC307199
LIFTER ASS'Y, TENSIONER	0.4		14520-BA1-0000	LIFTER ASS'Y, TENSIONER	1	Y		20140722		KMYBA4BLSFC307200	
		4	14523-BA7-0000-EU	GASKET, TENSIONER LIFTER	1	Y		20061214		KMYBA4BLS7C300001	
GUIDE, CAM CHAIN	2.2	5	14535-BA6-9600	BOLT, TENSIONER PIVOT	1	Y		20061214		KMYBA4BLS7C300001	
		6	14550-BA6-9600	GUIDE, CAM CHAIN	1	Y		20061214		KMYBA4BLS7C300001	
		7	90005-BA7-9000	SCREW, PAN, 6x6	1	Y		20061214		KMYBA4BLS7C300001	
		8	90091-BA7-0000	BOLT, FLANGE, 6x16	2	N	Y	20061214	20150305	KMYBA4BLS7C300001	KMYBA4BLSFC307597
			S6001-06016-00	BOLT, FLANGE, SH.6x16	2	Y		20150306		KMYBA4BLSFC307598	
		9	90405-BA6-0000	WASHER A, OIL PIPE JOINT SEALING	1	Y		20061214		KMYBA4BLS7C300001	
		10	91306-BA6-6900	O-RING, 9.5x1.5	1	Y		20061214		KMYBA4BLS7C300001	

E-03

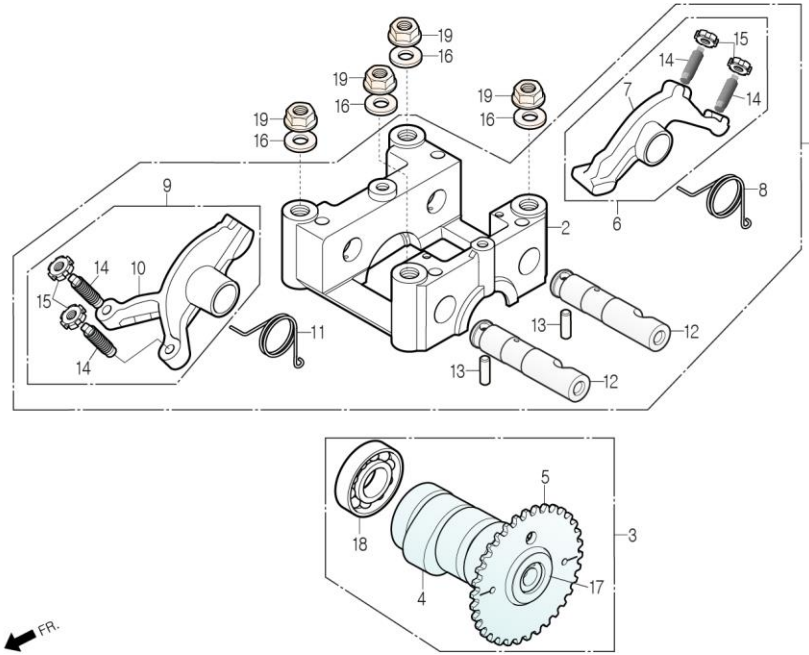
CAM SHAFT / ROCKER ARM



Service item	FRT	Ref No.	Part No.	Description	QTY	A/S	Exch	Start Date	End Date	Start FRM.No	End FRM.No
HOLDER, CAM SHAFT	1.4	1	1221A-BA4-0000	HOLDER ASS'Y, CAM SHAFT	1	Y		20061214		KMYBA4BLS7C300001	
		2	12211-BA4-0000	HOLDER, CAM SHAFT	1	Y		20061214		KMYBA4BLS7C300001	
SHAFT, CAM	1.2	3	14100-BA4-0010	SHAFT COMP., CAM	1	N	Y	20061214	20090414	KMYBA4BLS7C300001	KMYBA4BLS9C302683
· ARM, VALVE ROCKER (ADD 0.3 FOR EACH)			14100-BA4-0020	SHAFT COMP., CAM	1	N	Y	20090415	20150430	KMYBA4BLS9C302684	KMYBA4BLSFC307637
			14100-BA4-0000-M1	SHAFT COMP., CAM	1	Y		20150501		KMYBA4BLSFC307638	
		4	14101-BA1-0010-H1	SHAFT, CAM	1	N	Y	20061214	20090414	KMYBA4BLS7C300001	KMYBA4BLS9C302683
			14101-BA1-0020-H1	SHAFT, CAM	1	N	Y	20090415	20150430	KMYBA4BLS9C302684	KMYBA4BLSFC307637
			14101-BA1-0000-M1	SHAFT, CAM	1	N		20150501		KMYBA4BLSFC307638	
		5	14105-BA4-0000-H1	SPROCKET, CAM	1	N	Y	20061214	20150430	KMYBA4BLS7C300001	KMYBA4BLSFC307637
			14105-BA4-0000-M1	SPROCKET COMP., CAM	1	N		20150501		KMYBA4BLSFC307638	
		6	1443A-BA1-0100	ARM ASS'Y, IN.VALVE ROCKER	1	Y		20061214		KMYBA4BLS7C300001	
		7	14431-BA1-0100	ARM, IN.VALVE ROCKER	1	N		20061214		KMYBA4BLS7C300001	
		8	14432-BA1-0000	SPRING, IN.VALVE ROCKER ARM	1	Y		20061214		KMYBA4BLS7C300001	
		9	1444A-BA1-0100	ARM ASS'Y, EX.VALVE ROCKER	1	Y		20061214		KMYBA4BLS7C300001	
		10	14441-BA1-0100	ARM, EX.VALVE ROCKER	1	N		20061214		KMYBA4BLS7C300001	
		11	14442-BA1-0000	SPRING, EX.ROCKER ARM	1	Y		20061214		KMYBA4BLS7C300001	
		12	14451-BA1-0000	SHAFT, ROCKER ARM	2	Y		20061214		KMYBA4BLS7C300001	
		13	24421-BA6-0000	PIN, GEAR SHIFT DRUM	2	N		20061214		KMYBA4BLS7C300001	
		14	90012-CB2-0000	SCREW, TAPPET ADJUSTING	4	N		20061214		KMYBA4BLS7C300001	
		15	90206-CB2-0000	NUT, TAPPET ADJUSTING	4	N		20061214		KMYBA4BLS7C300001	
		16	90483-SE5-0000	WASHER, 8mm	4	Y		20061214		KMYBA4BLS7C300001	

E-03

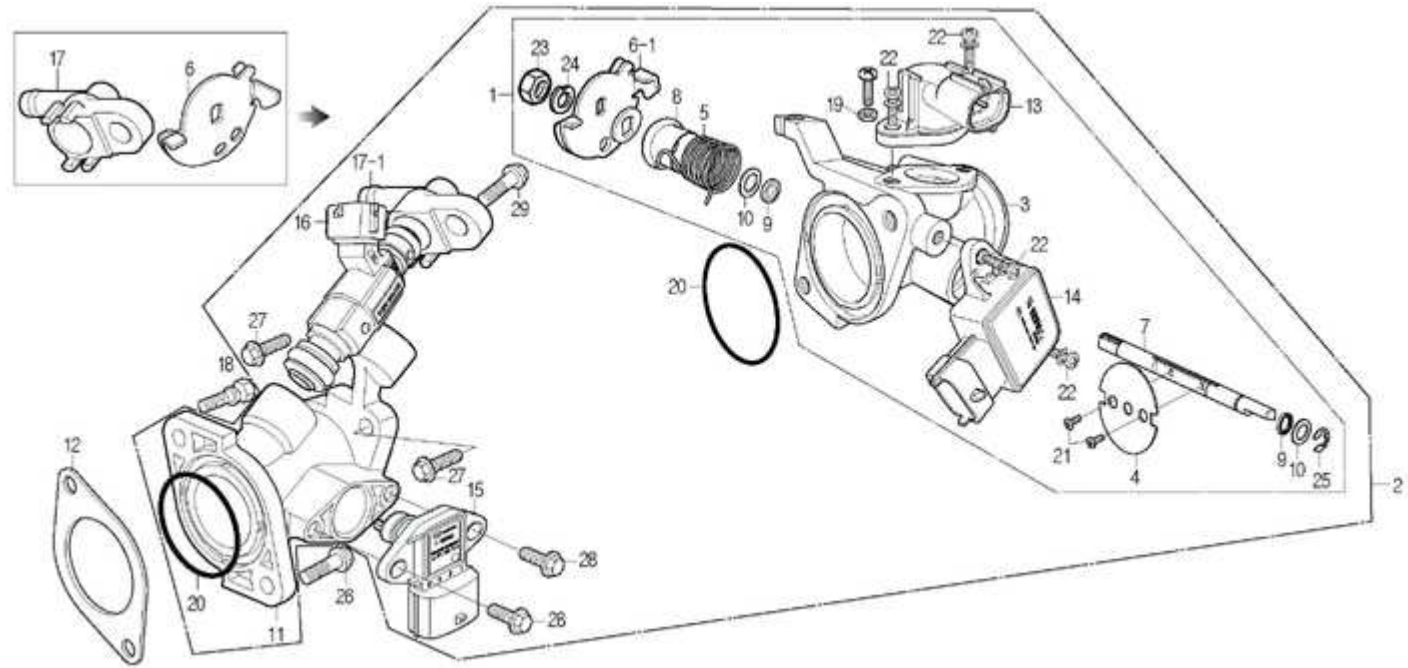
CAM SHAFT / ROCKER ARM



Service item	FRT	Ref No.	Part No.	Description	QTY	A/S	Exch	Start Date	End Date	Start FRM.No	End FRM.No
		17	91008-BA4-0000-M2	BEARING, RADIAL BALL 6002 C3(FAG)	1	N		20061214		KMYBA4BLS7C300001	
		18	91009-BA1-0000	BEARING, RADIAL BALL 6002Z C3	1	N		20061214		KMYBA4BLS7C300001	
		19	S4050-08080	NUT, FLANGE, 8mm	4	Y		20061214		KMYBA4BLS7C300001	

E-15

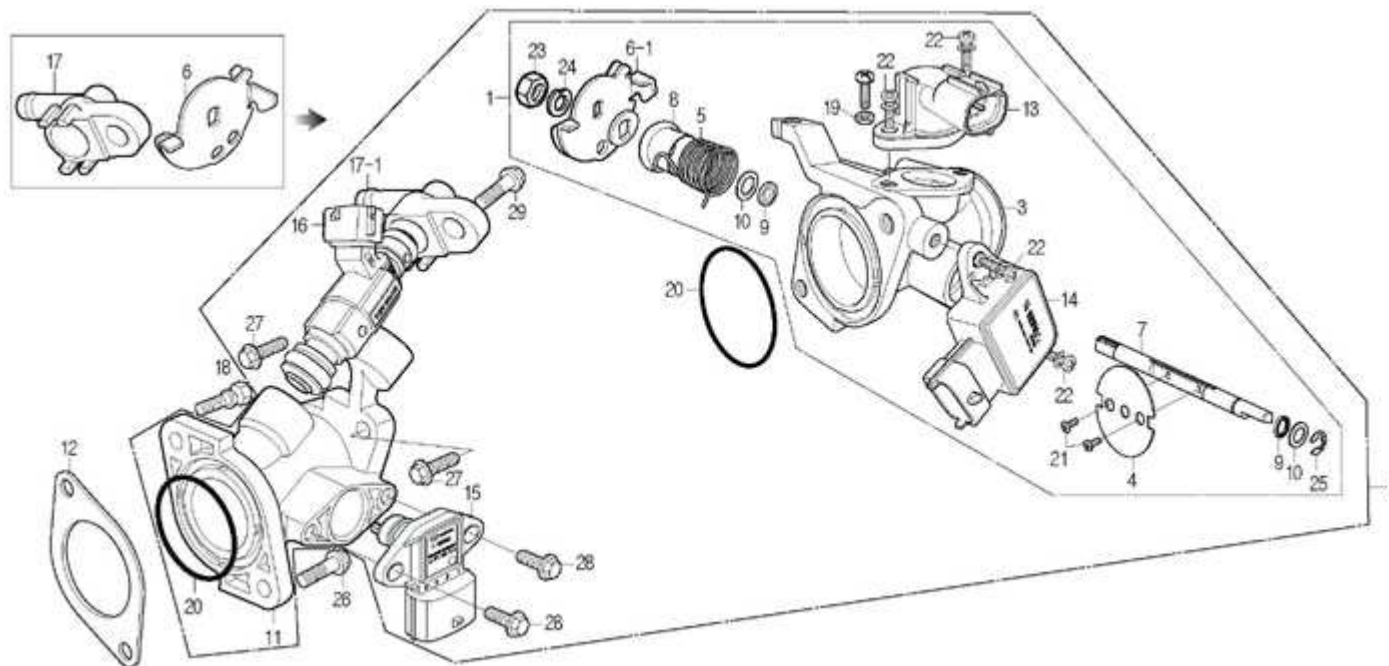
THROTTLE BODY



Service Item	FRT	Ref. No.	Part No.	Description	QTY	A/S	Exch	Start Date	Start FRM.No	End FRM.No
		1	1620A-BA1-R300	BODY ASS'Y, THROTTLE	1	N	Y	20061214	KMYBA4BLS7C300001	KMYBA4BLS7C306217
			1620A-BA1-2000	BODY ASS'Y, THROTTLE	1	Y		20111003	KMYBA4BLS7C306218	
		2	1620B-BA1-R300	BODY SET, THROTTLE	1	N	Y	20061214	KMYBA4BLS7C300001	KMYBA4BLS7C306217
			1620B-BA1-2000	BODY SET, THROTTLE	1	Y		20111013	KMYBA4BLS7C306218	
		3	16200-BA1-R300	BODY COMP., THROTTLE	1	N	N	20061214	KMYBA4BLS7C300001	KMYBA4BLS7C306442
			16200-BA1-R310	BODY COMP., THROTTLE	1	N		20111220	KMYBA4BLS7C306443	
		4	16202-BA1-R300	VALVE, THROTTLE	1	N	Y	20061214	KMYBA4BLS7C300001	KMYBA4BLS7C306217
			16202-BA1-2000	VALVE, THROTTLE	1	N		20111013	KMYBA4BLS7C306218	
		5	16203-BA1-R300	SPRING, THROTTLE RETURN	1	N		20061214	KMYBA4BLS7C300001	
		6	16204-BA1-R300	LEVER COMP., THROTTLE	1	N	Y	20061214	KMYBA4BLS7C300001	KMYBA4BLS7C303353
			16204-BA1-R310	LEVER COMP., THROTTLE	1	N	N	20090630	KMYBA4BLS7C303354	KMYBA4BLS7C306442
		6-1	16204-BA1-R320	LEVER COMP., THROTTLE	1	N		20111220	KMYBA4BLS7C306443	
		7	16205-BA1-R300	SPINDLE, THROTTLE	1	N		20061214	KMYBA4BLS7C300001	
		8	16206-BA1-R300	COLLAR, THROTTLE RETURN SPRING	1	N		20061214	KMYBA4BLS7C300001	
		9	16207-BA1-R300	SEAL, OIL	2	Y		20061214	KMYBA4BLS7C300001	
		10	16208-BA1-R300	COLLAR, SIDE	2	N		20061214	KMYBA4BLS7C300001	
		11	16210-BA1-R300	INSULATOR, THROTTLE BODY	1	Y	N	20061214	KMYBA4BLS7C300001	KMYBA4BLS7C301155
			16210-BA1-R310	INSULATOR, THROTTLE BODY	1	Y		20070615	KMYBA4BLS7C301156	
		12	16214-BA7-0000-EU	GASKET, CARBURETOR INSULATOR	1	Y		20061214	KMYBA4BLS7C300001	
		13	16220-BA1-R300-M1	ACTUATOR, IDLE SPEED	1	N	N	20061214	KMYBA4BLS7C300001	KMYBA4BLS7C301155
			16220-BA1-R310-M1	ACTUATOR, IDLE SPEED	1	Y		20070615	KMYBA4BLS7C301156	

E-15

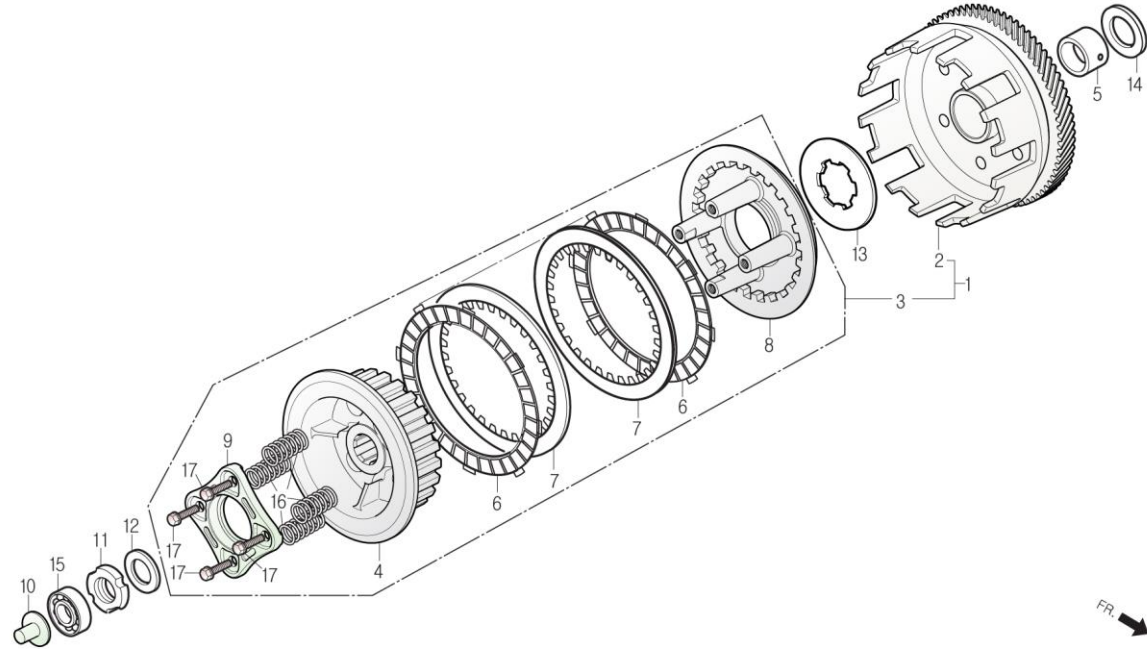
THROTTLE BODY



Service Item	FRT	Ref. No.	Part No.	Description	QTY	A/S	Exch	Start Date	Start FRM.No	End FRM.No
		14	16230-BA1-R300-M1	SENSOR, THROTTLE POSITION	1	Y		20061214	KMYBA4BLS7C300001	
		15	16240-BA1-R300-M1	SENSOR, MAP & AT	1	Y		20061214	KMYBA4BLS7C300001	
		16	16300-BA1-R300-M1	INJECTOR ASS'Y	1	Y		20061214	KMYBA4BLS7C300001	
		17	16500-BA1-R300	CAP, INJECTOR	1	Y	N	20061214	KMYBA4BLS7C300001	KMYBA4BLS7C301155
		17-1	16500-BA1-R310	CAP, INJECTOR	1	N	Y	20070615	KMYBA4BLS7C301156	KMYBA4BLSAC304422
			16500-BA1-R320	CAP, INJECTOR	1	Y		20100201	KMYBA4BLSAC304423	
		18	90086-BA7-0000-EU	BOLT, CARBURETOR INSULATOR 6x20	1	Y		20061214	KMYBA4BLS7C300001	
		19	90206-CB2-0000	NUT, TAPPET ADJUSTING	1	N		20061214	KMYBA4BLS7C300001	
		20	91304-BA7-0030	O-RING, 33.5x3.0	2	Y		20061214	KMYBA4BLS7C300001	
		21	S3600-03005	SCREW, FLAT 3x5	2	N		20061214	KMYBA4BLS7C300001	
		22	S3893-04012-18	SCREW WASHER, 4x12	4	N		20061214	KMYBA4BLS7C300001	
		23	S4001-08000-0S	NUT, HEX 8mm	1	N		20061214	KMYBA4BLS7C300001	
		24	S4111-08800	WASHER, SPRING 8mm	1	N		20061214	KMYBA4BLS7C300001	
		25	S4540-06018	E-RING 6mm	1	N		20061214	KMYBA4BLS7C300001	
		26	S5701-06020-08	BOLT, FLANGE 6x20	1	N	Y	20061214	KMYBA4BLS7C300001	KMYBA4BLSAC304583
			S5701-06020-00	BOLT, FLANGE 6x20	1	Y		20100501	KMYBA4BLSAC304584	
		27	S6001-06014-00	BOLT, FLANGE SH.6x14	2	Y		20061214	KMYBA4BLS7C300001	
		28	S6001-06016-00	BOLT, FLANGE SH.6x16	2	Y		20061214	KMYBA4BLS7C300001	
		29	S6001-06018-00	BOLT, FLANGE SH.6x18	1	Y		20061214	KMYBA4BLS7C300001	

E-07

CLUTCH

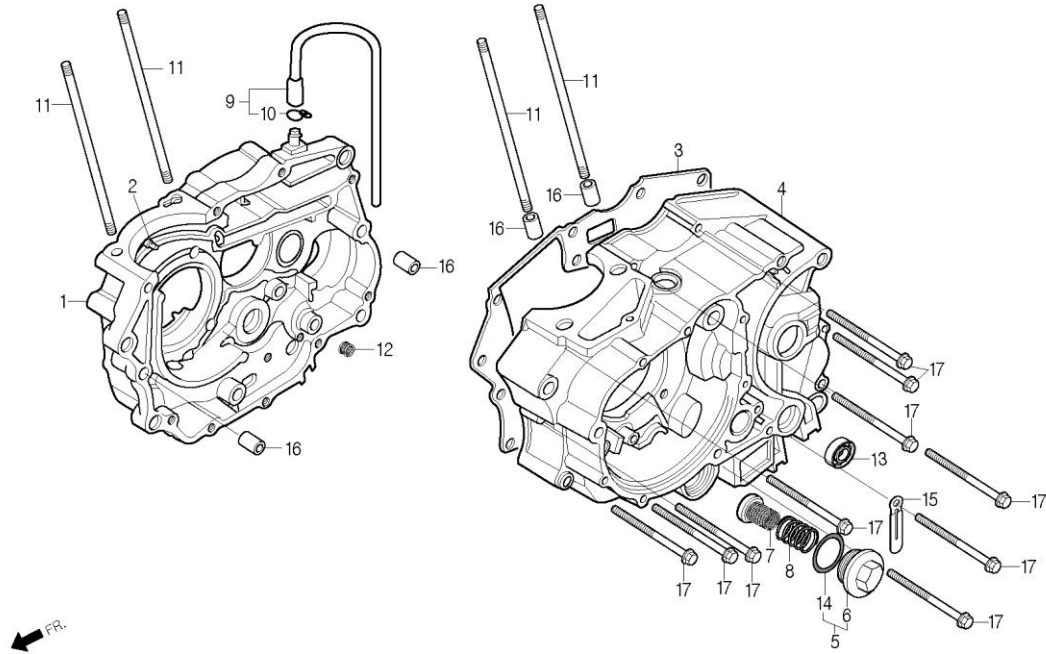


Service item	FRT	Ref No.	Part No.	Description	QTY	A/S	Exch	Start Date	End Date	Start FRM.No	End FRM.No
OUTER COMP., CLUTCH	0.9	1	2210A-BA1-0100	CLUTCH ASS'Y	1	Y		20061214		KMYBA4BLS7C300001	
· CENTER, CLUTCH		2	22100-BA1-0000	OUTER COMP., CLUTCH	1	Y		20061214		KMYBA4BLS7C300001	
· DISK, CLUTCH FRICTION		3	2212A-BA1-0000	INNER ASS'Y, CLUTCH	1	Y		20061214		KMYBA4BLS7C300001	
· PLATE, CLUTCH PRESSURE		4	22121-BA1-0000	CENTER, CLUTCH	1	N		20061214		KMYBA4BLS7C300001	
PLATE, CLUTCH LIFTER	0.7	5	22131-BA6-9600	GUIDE, CLUTCH OUTER	1	N	Y	20061214	20140930	KMYBA4BLS7C300001	KMYBA4BLSFC307199
· SPRING, CLUTCH (ONE OR ALL)		22131-BA1-0000-M1	GUIDE, CLUTCH OUTER	1	Y		20141001			KMYBA4BLSFC307200	
		6	22201-BA6-1000	DISK, CLUTCH FRICTION	6	Y		20061214		KMYBA4BLS7C300001	
		7	22311-BA6-0000	PLATE, CLUTCH	5	Y		20061214		KMYBA4BLS7C300001	
		8	22350-BA1-0000	PLATE, CLUTCH PRESSURE	1	N		20061214		KMYBA4BLS7C300001	
		9	22361-BA7-0000	PLATE, CLUTCH LIFTER	1	N		20061214		KMYBA4BLS7C300001	
		10	22366-BA6-9300	LIFTER ROD, CLUTCH	1	Y		20061214		KMYBA4BLS7C300001	
		11	90231-BA6-8300	NUT, LOCK, 16mm	1	Y		20061214		KMYBA4BLS7C300001	
		12	90434-BA6-9300	WASHER, 16mm	1	Y		20061214		KMYBA4BLS7C300001	
		13	90461-BA6-0000	WASHER B, SPLINE, 20mm	1	Y		20061214		KMYBA4BLS7C300001	
		14	90465-BA6-9600	WASHER, THRUST, 20mm	1	Y		20061214		KMYBA4BLS7C300001	
		15	91008-BA6-0000	BEARING, RADIAL BALL 16003	1	Y		20061214		KMYBA4BLS7C300001	
		16	S5014-75110	SPRING, CLUTCH	4	Y		20061214		KMYBA4BLS7C300001	
		17	S5701-06025-08	BOLT, FLANGE, 6x25	4	N	Y	20061214	20100430	KMYBA4BLS7C300001	KMYBA4BLSAC304583
		90050-BA6-0000	SPECIAL BOLT, FLANGE, 6x22	4	N		20100501			KMYBA4BLSAC304584	

E-11

CRANK CASE

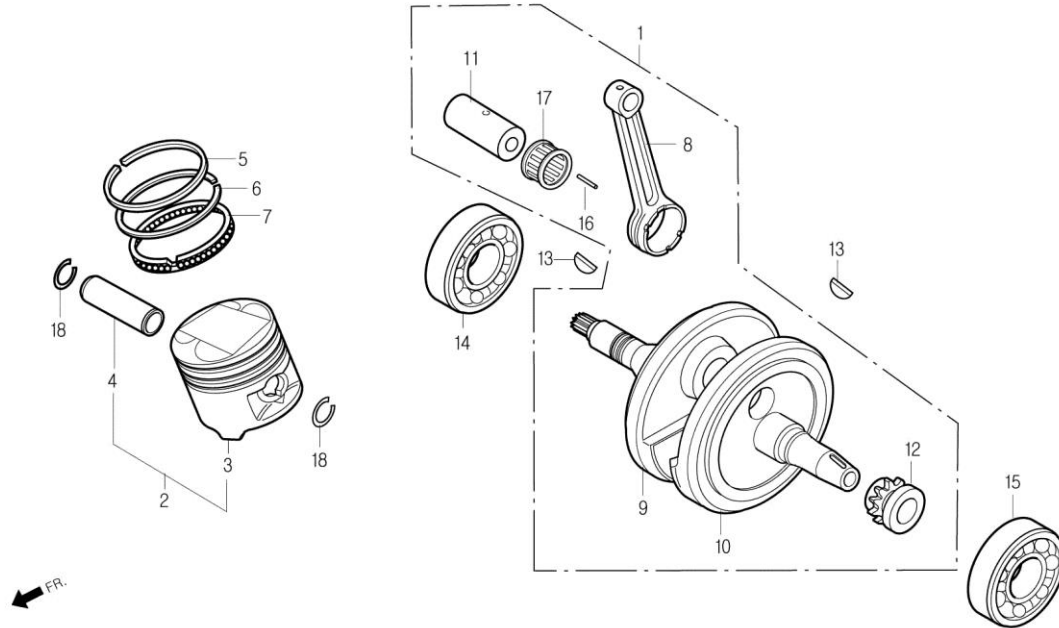
[Set Applied Info]



Service item	FRT	Ref No.	Part No.	Description	QTY	A/S	Exch	Start Date	End Date	Start FRM.No	End FRM.No
CASE COMP., RH.CRANK	*4.2	1	11100-BA4-0010	CASE COMP., RH.CRANK(OPAQUE SILVER)	1	Y		20061214		KMYBA4BLS7C300001	
		2	11105-BA1-0000	JET, PISTON COOLING	1	Y		20061214		KMYBA4BLS7C300001	
GASKET, CRANK CASE	*4.2	3	11191-BA7-0000-EU	GASKET, CRANK CASE	1	Y		20061214		KMYBA4BLS7C300001	
		4	11200-BA4-0010	CASE COMP., LH.CRANK(OPAQUE SILVER)	1	Y		20061214		KMYBA4BLS7C300001	
CASE COMP., LH.CRANK	*4.2	5	1236A-BA6-0000	HOLE CAP ASS'Y, TAPPET ADJUSTING	1	Y		20061214		KMYBA4BLS7C300001	
		6	12361-BA6-0000	HOLE CAP, TAPPET ADJUSTING	1	N		20061214		KMYBA4BLS7C300001	
		7	15421-BA6-0000	SCREEN, OIL FILTER	1	Y		20061214		KMYBA4BLS7C300001	
		8	15426-BA6-0000	SPRING, OIL FILTER SCREEN	1	Y		20061214		KMYBA4BLS7C300001	
		9	15761-BA4-0000	TUBE, BREATHER	1	Y		20061214		KMYBA4BLS7C300001	
		10	15772-BA7-0100	CLIP,BREATHER TUBE	1	N		20061214		KMYBA4BLS7C300001	
		11	90031-BA6-0100	BOLT A, CYLINDER STUD	4	Y		20061214		KMYBA4BLS7C300001	
		12	91008-BA7-0030	BEARING, NEEDLE, 21mm	1	Y		20061214		KMYBA4BLS7C300001	
		13	91206-BA6-0130	SEAL, OIL, 14x28x7	1	Y		20061214		KMYBA4BLS7C300001	
		14	91303-BA6-0000	O-RING, 35x3	1	Y		20061214		KMYBA4BLS7C300001	
		15	91410-BA6-0000	CLIP, 2x60	1	Y		20061214		KMYBA4BLS7C300001	
		16	S4301-10160	PIN, DOWEL, 10x16	4	Y		20061214		KMYBA4BLS7C300001	
		17	S6001-06050-00	BOLT, FLANGE, SH.6x50	10	Y		20061214		KMYBA4BLS7C300001	

E-12

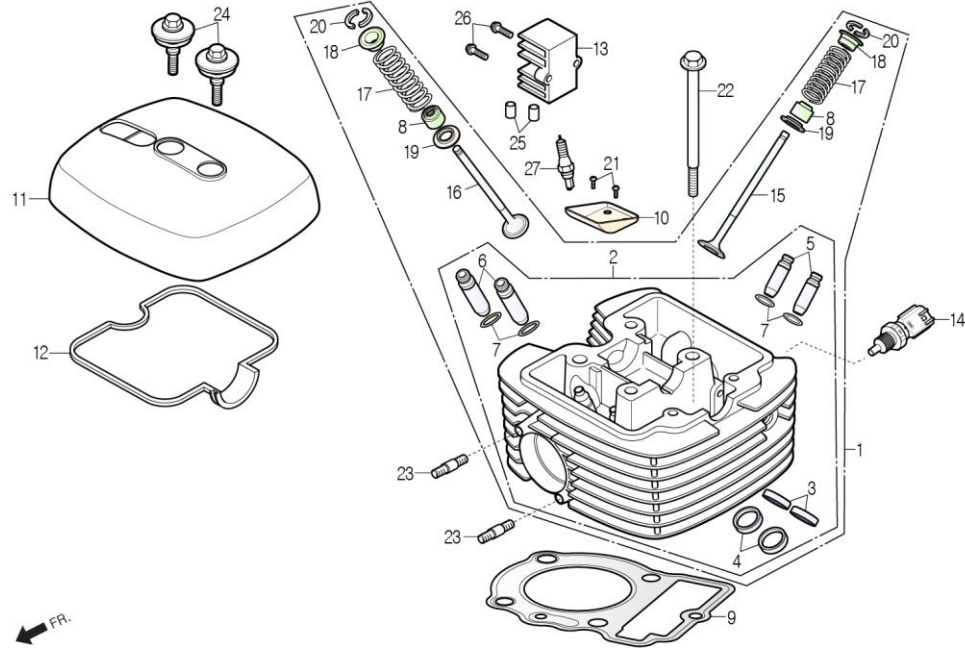
CRANK SHAFT / PISTON



Service item	FRT	Ref No.	Part No.	Description	QTY	A/S	Exch	Start Date	End Date	Start FRM.No	End FRM.No
SHAFT COMP., CRANK	*4.2	1	13000-BA6-9600	SHAFT COMP., CRANK	1	Y		20061214		KMYBA4BLS7C300001	
		2	1310A-BA1-0100	PISTON SET	1	N	Y	20061214	20141130	KMYBA4BLS7C300001	KMYBA4BLSFC307379
BEARING, RADIAL BALL (63/28, 6204, 6207)	*4.3		1310A-BA1-0100-M1	PISTON SET	1	Y		20141201		KMYBA4BLSFC307380	
		3	13101-BA1-0100	PISTON	1	N	N	20061214	20141130	KMYBA4BLS7C300001	KMYBA4BLSFC307379
			13101-BA1-0100-M1	PISTON	1	N		20141201		KMYBA4BLSFC307380	
RING, PISTON	*3.2	4	13111-BA6-9300	PIN, PISTON	1	N	N	20061214	20141130	KMYBA4BLS7C300001	KMYBA4BLSFC307379
			13111-BA6-9300-M1	PIN, PISTON	1	N		20141201		KMYBA4BLSFC307380	
PISTON SET	*3.2	5	13121-BA6-9600	RING, PISTON TOP	1	Y		20061214		KMYBA4BLS7C300001	
		6	13131-BA6-9600	RING, PISTON 2ND	1	Y		20061214		KMYBA4BLS7C300001	
		7	13141-BA6-9620-M2	RING, PISTON OIL	1	Y		20061214		KMYBA4BLS7C300001	
		8	13201-BA6-9600-H1	ROD, CONNECTING	1	N		20061214		KMYBA4BLS7C300001	
		9	13311-BA6-9600-H1	CRANK SHAFT, RH.	1	N		20061214		KMYBA4BLS7C300001	
		10	13321-BA6-9600-H1	CRANK SHAFT, LH.	1	N		20061214		KMYBA4BLS7C300001	
		11	13381-BA6-9000-H1	PIN, CRANK	1	N		20061214		KMYBA4BLS7C300001	
		12	14311-BA6-9600-H1	SPROCKET, TIMMING	1	Y		20061214		KMYBA4BLS7C300001	
		13	90741-BA6-9600	KEY, WOODRUFF, 25x14x4	2	Y		20061214		KMYBA4BLS7C300001	
		14	91001-BA6-9310-M1	BEARING, RADIAL BALL 63128	1	Y		20061214		KMYBA4BLS7C300001	
		15	91005-BA6-9610-M1	BEARING, RADIAL BALL 6207	1	Y		20061214		KMYBA4BLS7C300001	
		16	91102-BA6-0030	ROLLER, 4x14.8A	18	N		20061214		KMYBA4BLS7C300001	
		17	91105-BA6-0030	RETAINER, CONROD LARGE END	1	N		20061214		KMYBA4BLS7C300001	
		18	S4601-15000	CLIP, PISTON PIN, 15mm	2	Y		20061214		KMYBA4BLS7C300001	

E-01

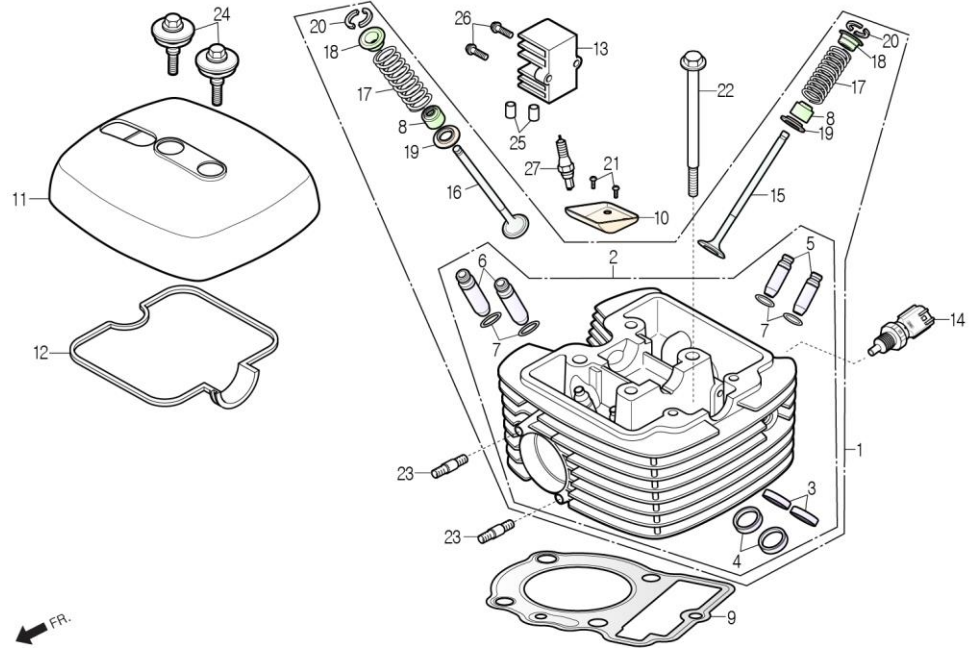
CYLINDER HEAD



Service item	FRT	Ref No.	Part No.	Description	QTY	A/S	Exch	Start Date	End Date	Start FRM.No	End FRM.No
HEAD ASS'Y, CYLINDER	*3.0	1	1220A-BA1-R300	HEAD ASS'Y, CYLINDER	1	Y		20061214		KMYBA4BLS7C300001	
		2	12200-BA1-R300	HEAD COMP., CYLINDER	1	Y		20061214		KMYBA4BLS7C300001	
GASKET, CYLINDER HEAD	*2.8	3	12202-BA1-0000-H1	SEAT, IN.VALVE	2	N		20061214		KMYBA4BLS7C300001	
		4	12203-BA1-0000-H1	SEAT, EX.VALVE	2	N		20061214		KMYBA4BLS7C300001	
VALVE, IN/EX.	*3.2	5	12204-SA1-0000-H1	GUIDE, VALVE	2	N		20061214		KMYBA4BLS7C300001	
		6	12205-BA1-0000-H1	GUIDE, EX.VALVE	2	N		20061214		KMYBA4BLS7C300001	
VALVE SPRING, IN/EX.	*3.0	7	12206-SA1-0000-H1	CLIP, VALVE GUIDE	4	N		20061214		KMYBA4BLS7C300001	
		8	12209-BA6-0050	SEAL, VALVE STEM	4	Y		20061214		KMYBA4BLS7C300001	
SENSOR, ENGINE TEMPERARURE	0.6	9	12251-BA1-0000	GASKET, CYLINDER HEAD	1	Y		20061214		KMYBA4BLS7C300001	
		10	12260-BA1-0100	PLATE, OIL CATCH	1	Y		20061214		KMYBA4BLS7C300001	
		11	12311-BA4-0010	COVER, CYLINDER HEAD(OPAQUE SILVER)	1	Y		20061214		KMYBA4BLS7C300001	
		12	12313-BA1-0000	GASKET, CYLINDER HEAD COVER	1	Y		20061214		KMYBA4BLS7C300001	
		13	12321-BA1-0000	COVER, SPARK PLUG(CLOUD SILVER)	1	Y		20061214		KMYBA4BLS7C300001	
		14	12410-BA1-R300-M1	SENSOR, ENGINE TEMPERATURE	1	Y		20061214		KMYBA4BLS7C300001	
		15	14711-BA1-0000	VALVE, IN.	2	Y		20061214		KMYBA4BLS7C300001	
		16	14721-BA1-0000	VALVE, EX.	2	Y		20061214		KMYBA4BLS7C300001	
		17	14751-BA6-9610-M1	SPRING, VALVE	4	N	Y	20061214	20131030	KMYBA4BLS7C300001	KMYBA4BLSEC306930
			14751-BA8-0000	SPRING, VALVE	4	Y		20131031		KMYBA4BLSEC306931	
		18	14771-BA6-9600	RETAINER, VALVE SPRING	4	Y		20061214		KMYBA4BLS7C300001	
		19	14775-BA1-0000	SEAT, VALVE SPRING	4	N	Y	20061214	20140521	KMYBA4BLS7C300001	KMYBA4BLSEC307179
			14775-BA1-0010	SEAT, VALVE SPRING	4	Y		20140522		KMYBA4BLSEC307180	

E-01

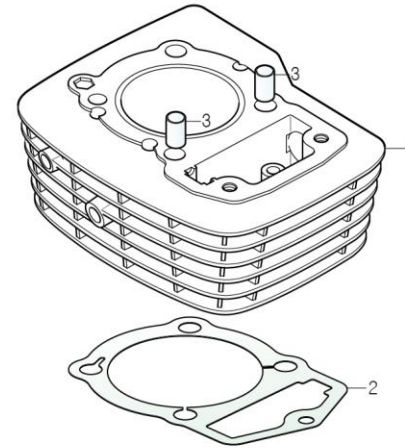
CYLINDER HEAD



Service item	FRT	Ref No.	Part No.	Description	QTY	A/S	Exch	Start Date	End Date	Start FRM.No	End FRM.No
		20	14781-BA6-0000	COTTER, VALVE	8	Y		20061214		KMYBA4BLS7C300001	
		21	90005-BA1-0000	SCREW, PAN, 5x8	2	Y		20061214		KMYBA4BLS7C300001	
		22	90005-SA0-0000	BOLT, FLANGE, SH.6x100	1	Y		20061214		KMYBA4BLS7C300001	
		23	S2700-06035-3E	BOLT, STUD, 6x35	2	Y		20061214		KMYBA4BLS7C300001	
		24	S3500-BA1-0000	BOLT ASS'Y, SPECIAL	2	Y		20061214		KMYBA4BLS7C300001	
		25	S4301-10160	PIN, DOWEL, 10x16	2	Y		20061214		KMYBA4BLS7C300001	
		26	S6001-06022-00	BOLT, FLANGE, SH.6x22	2	Y		20061214		KMYBA4BLS7C300001	
		27	S8059-59936-00	PLUG, SPARK	1	Y		20061214		KMYBA4BLS7C300001	

E-02

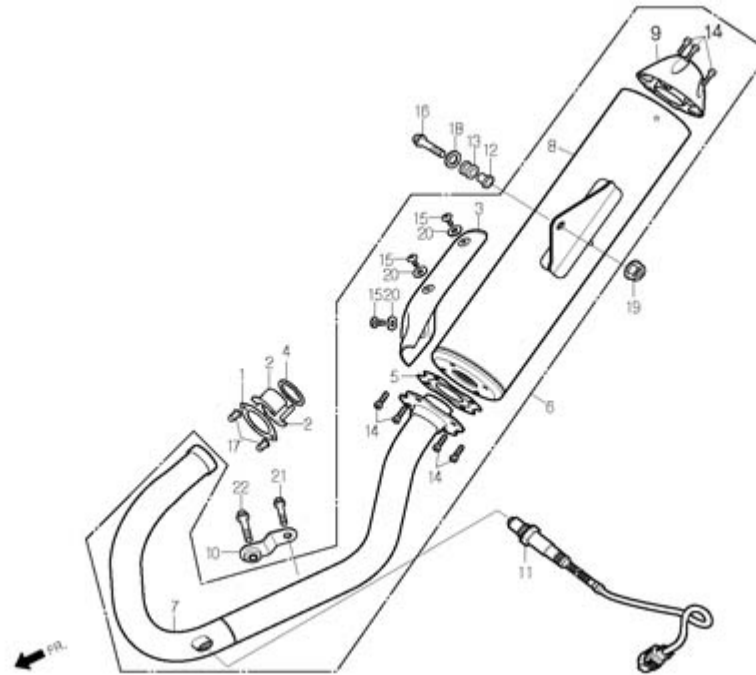
CYLINDER



Service item	FRT	Ref No.	Part No.	Description	QTY	A/S	Exch	Start Date	End Date	Start FRM.No	End FRM.No
CYLINDER COMP.	3.2	1	12100-BA1-0000	CYLINDER COMP.(CLOUD SILVER METALLIC)	1	Y		20061214		KMYBA4BLS7C300001	
		2	12191-BA1-RB00	GASKET, CYLINDER	1	Y		20061214		KMYBA4BLS7C300001	
GASKET, CYLINDER	3.1	3	S4301-10160	PIN, DOWEL, 10x16	2	Y		20061214		KMYBA4BLS7C300001	

F-17

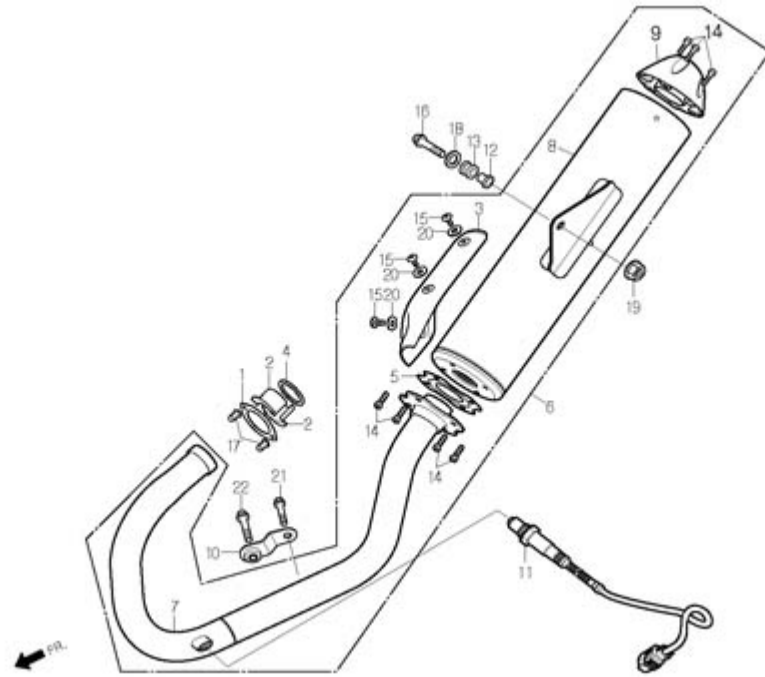
EXHAUST MUFFLER



Service Item	FRT	Ref. No.	Part No.	Description	QTY	A/S	Exch	Start Date	Start FRM.No	End FRM.No
MUFFLER COMP., EX.	0.2	1	18231-BA7-9000	JOINT, EX.PIPE	1	Y		20061214	KMYBA4BLS7C300001	
·PIPE COMP., EX.	0.1	2	18233-BA6-0000	COLLAR, EX.PIPE JOINT	2	Y		20061214	KMYBA4BLS7C300001	
·MUFFLER COMP.		3	18240-BA4-R300	PROTECTOR,EXH. PIPE	1	Y		20061214	KMYBA4BLS7C300001	
		4	18291-BA6-0000	GASKET, EX.PIPE	1	N	Y	20061214	KMYBA4BLS7C300001	KMYBA4BLS8C301165
			18291-BA6-RB00	GASKET, EX.PIPE	1	Y		20070701	KMYBA4BLS8C301166	
		5	18292-BA4-0010	GASKET, EX.PIPE FLANGE(D42mm)	1	Y		20061214	KMYBA4BLS7C300001	
		6	18300-BA4-R300	MUFFLER COMP., EX.	1	N	Y	20061214	KMYBA4BLS7C300001	KMYBA4BLS9C302760
			18300-BA4-R310	MUFFLER COMP., EX.	1	Y		20090508	KMYBA4BLS9C302761	
		7	18320-BA4-R300	PIPE COMP., EXHAUST	1	Y		20061214	KMYBA4BLS7C300001	
		8	18340-BA4-R300	MUFFLER COMP.	1	Y	N	20061214	KMYBA4BLS7C300001	KMYBA4BLS9C302760
			18340-BA4-R310	MUFFLER COMP.	1	Y		20090508	KMYBA4BLS9C302761	
		9	18345-BA8-0000	CAP, MUFFLER BODY	1	Y		20090508	KMYBA4BLS9C302761	
		10	18373-BA4-0000	STAY COMP., MUFFLER DAMPER	1	Y		20061214	KMYBA4BLS7C300001	
		11	18410-BA4-R300-M1	SENSOR, OXYGEN	1	Y		20061214	KMYBA4BLS7C300001	
		12	50607-BA5-9000	COLLAR, MOUNT RUBBER	1	Y		20061214	KMYBA4BLS7C300001	
		13	50608-BA5-9000	RUBBER, MUFFLER MOUNTING	1	Y		20061214	KMYBA4BLS7C300001	
		14	90010-BA4-0000	BOLT, SOCKET 6x16	4	Y	N	20061214	KMYBA4BLS7C300001	KMYBA4BLS9C302760
			90010-BA4-0000	BOLT, SOCKET 6x16	7	Y		20090508	KMYBA4BLS9C302761	
		15	90011-SE1-0000	SCREW, SPECIAL 5x8	3	Y		20061214	KMYBA4BLS7C300001	
		16	90158-BA5-0000	BOLT, SPECIAL FLANGE 8x45	1	Y		20061214	KMYBA4BLS7C300001	
		17	90304-BA7-0000	NUT, HEX CAP 6mm	2	Y		20061214	KMYBA4BLS7C300001	

F-17

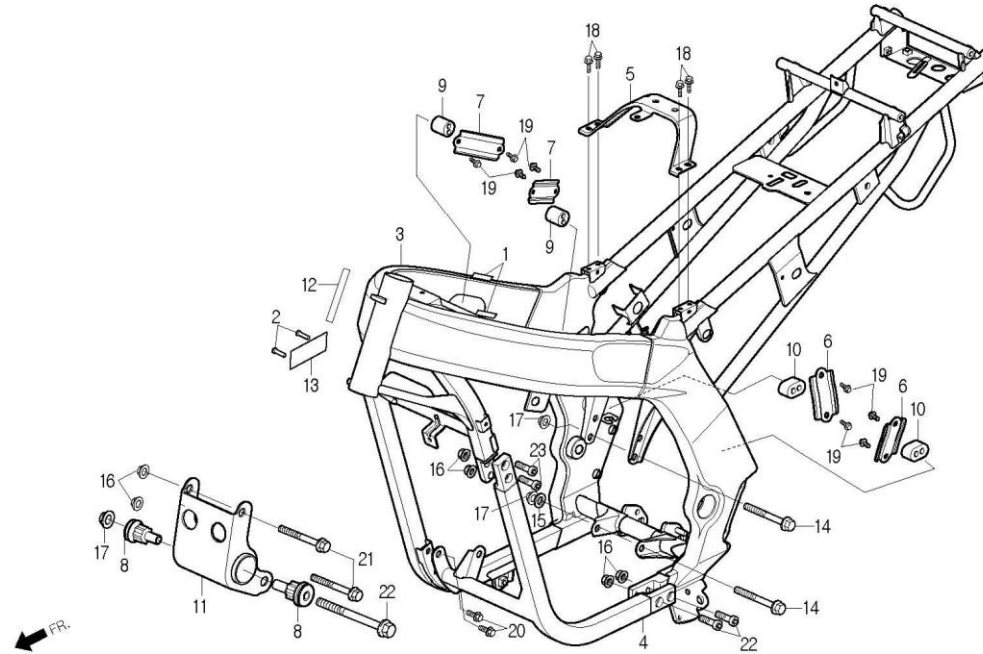
EXHAUST MUFFLER



Service Item	FRT	Ref. No.	Part No.	Description	QTY	A/S	Exch	Start Date	Start FRM.No	End FRM.No
		18	90534-HD2-0000	WASHER, 8.3mm	1	Y		20061214	KMYBA4BLS7C300001	
		19	S4050-08080	NUT, FLANGE 8mm	1	Y		20061214	KMYBA4BLS7C300001	
		20	S4101-05000	WASHER, PLAIN 5mm	3	Y		20061214	KMYBA4BLS7C300001	
		21	S5701-08012-08	BOLT, FLANGE 8x12	1	N	Y	20061214	KMYBA4BLS7C300001	KMYBA4BLSAC304583
			S5701-08012-00	BOLT, FLANGE, 8x12	1	Y		20100501	KMYBA4BLSAC304584	
		22	S5701-08030-08	BOLT, FLANGE 8x30	1	N	Y	20061214	KMYBA4BLS7C300001	KMYBA4BLSAC304583
			S5701-08030-00	BOLT,FLANGE 8x30	1	Y		20100501	KMYBA4BLSAC304584	

F-32

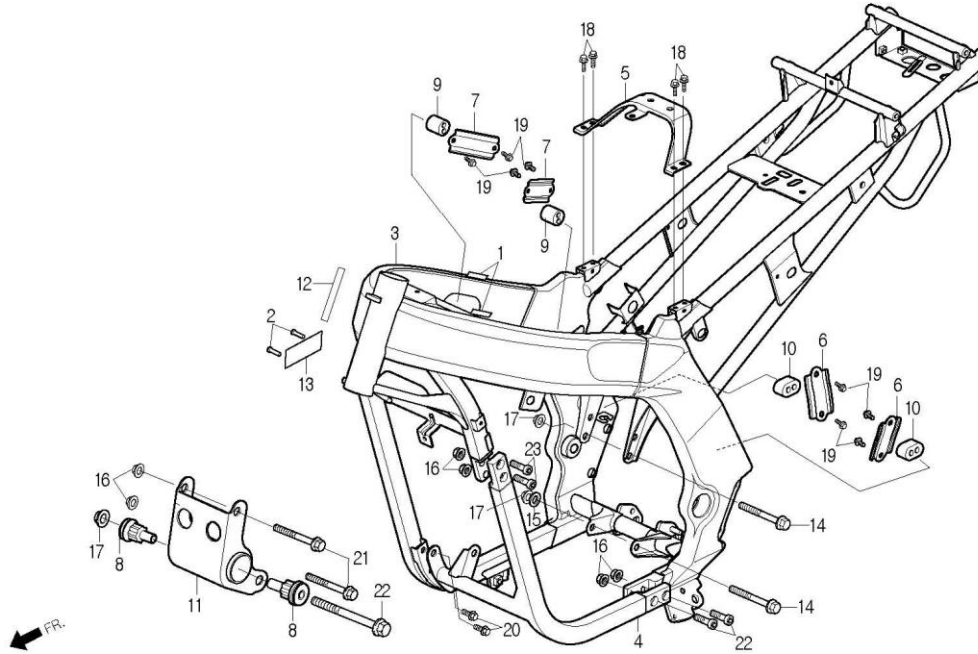
FRAME BODY



Service item	FRT	Ref No.	Part No.	Description	QTY	A/S	Exch	Start Date	End Date	Start FRM.No	End FRM.No
BODY COMP., FRAME	5.5	1	17509-BA4-0000	CUSHION RUBBER, FUEL TANK COVER	2	N		20061214		KMYBA4BLS7C300001	
		2	18323-BA7-RE00	RIVET, BLIND, 3.2	2	Y		20061214		KMYBA4BLS7C300001	
		3	50100-BA4-R300	BODY COMP., FRAME	1	N		20061214		KMYBA4BLS7C300001	
		4	50121-BA4-0010	TUBE COMP.B, LH.DOWN	1	Y		20061214		KMYBA4BLS7C300001	
		5	50136-BA4-0000	STAY COMP., FUEL TANK RR.	1	Y		20061214		KMYBA4BLS7C300001	
		6	50182-BY0-0000	PLATE A, DAMPER RUBBER	2	Y		20061214		KMYBA4BLS7C300001	
		7	50183-BY0-0000	PLATE B, DAMPER RUBBER	2	Y		20061214		KMYBA4BLS7C300001	
		8	50200-BA7-9000	RUBBER COMP., MOUNT	2	Y		20061214		KMYBA4BLS7C300001	
		9	50215-BY0-0000	RUBBER A, DAMPER	2	Y		20061214		KMYBA4BLS7C300001	
		10	50216-BY0-0000	RUBBER B, DAMPER	2	Y		20061214		KMYBA4BLS7C300001	
		11	50351-BA7-9000	BRACKET, FR.ENGINE HANGER	1	Y		20061214		KMYBA4BLS7C300001	
		12	87508-BA5-RB00	TAPE, FRAME.NO.MASKING	1	Y		20061214		KMYBA4BLS7C300001	
		13	87509-BA4-RB00	DATA PLATE, MANUFACTURER'S	1	N		20061214		KMYBA4BLS7C300001	
		14	90019-BA5-0000	BOLT, FLANGE, 10x110	2	Y		20061214		KMYBA4BLS7C300001	
		15	90426-CB2-0000	WASHER, MAGNETO FIXING	1	Y		20061214		KMYBA4BLS7C300001	
		16	S4050-08080	NUT, FLANGE, 8mm	6	Y		20061214		KMYBA4BLS7C300001	
		17	S4050-10080	NUT, FLANGE, 10mm	3	Y		20061214		KMYBA4BLS7C300001	
		18	S5701-06010-08	BOLT, FLANGE, 6x10	4	N	Y	20061214	20100430	KMYBA4BLS7C300001	KMYBA4BLSAC304583
			S5701-06010-00	BOLT, FLANGE, 6x10	4	Y		20100501		KMYBA4BLSAC304584	
		19	S5701-06016-08	BOLT, FLANGE, 6x16	8	N	Y	20061214	20100430	KMYBA4BLS7C300001	KMYBA4BLSAC304583
			S5701-06016-00	BOLT, FLANGE, 6x16	8	Y		20100501		KMYBA4BLSAC304584	

F-32

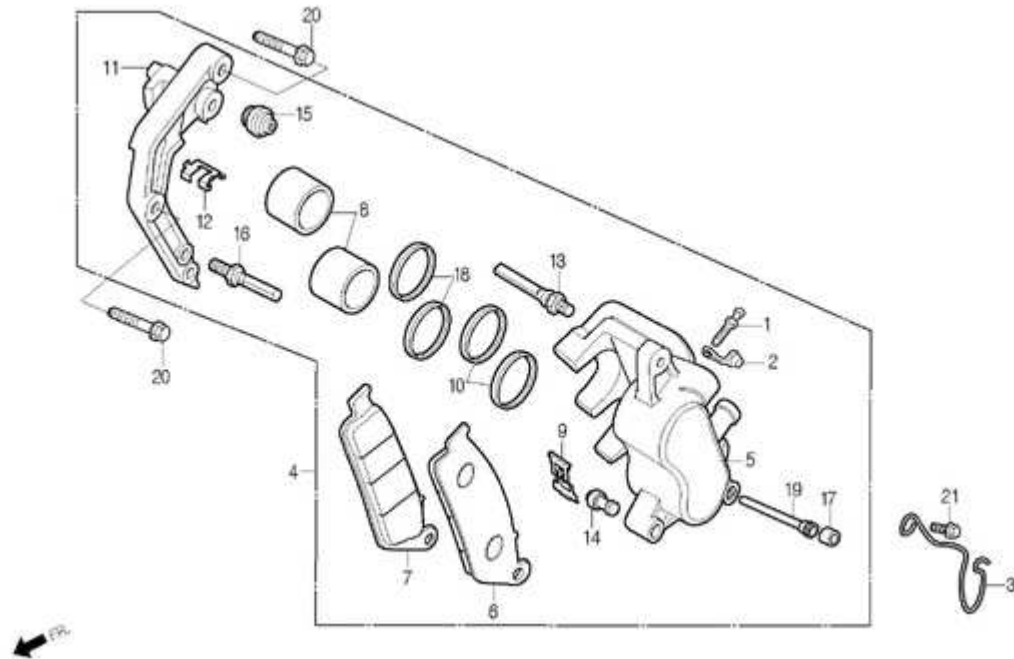
FRAME BODY



Service item	FRT	Ref No.	Part No.	Description	QTY	A/S	Exch	Start Date	End Date	Start FRM.No	End FRM.No
		20	S5701-08012-08	BOLT, FLANGE, 8x12	2	N	Y	20061214	20100430	KMYBA4BLS7C300001	KMYBA4BLSAC304583
			S5701-08012-00	BOLT, FLANGE, 8x12	2	N	Y	20100501	20120101	KMYBA4BLSAC304584	KMYBA4BLSAC306475
			S5701-08016-00	BOLT, FLANGE, 8x16	2	Y		20120102		KMYBA4BLSAC306476	
		21	S5801-08085-08	BOLT, FLANGE, 8x85	2	N	Y	20061214	20100430	KMYBA4BLS7C300001	KMYBA4BLSAC304583
			S5801-08085-00	BOLT, FLANGE, 8x85	2	Y		20100501		KMYBA4BLSAC304584	
		22	S5801-10120-08	BOLT, FLANGE, 10x120	1	N	Y	20061214	20100430	KMYBA4BLS7C300001	KMYBA4BLSAC304583
			S5801-10120-00	BOLT, FLANGE, 10x120	1	Y		20100501		KMYBA4BLSAC304584	
		23	S6700-08025-00	BOLT, SOCKET, 8x25	4	Y		20061214		KMYBA4BLS7C300001	

F-10

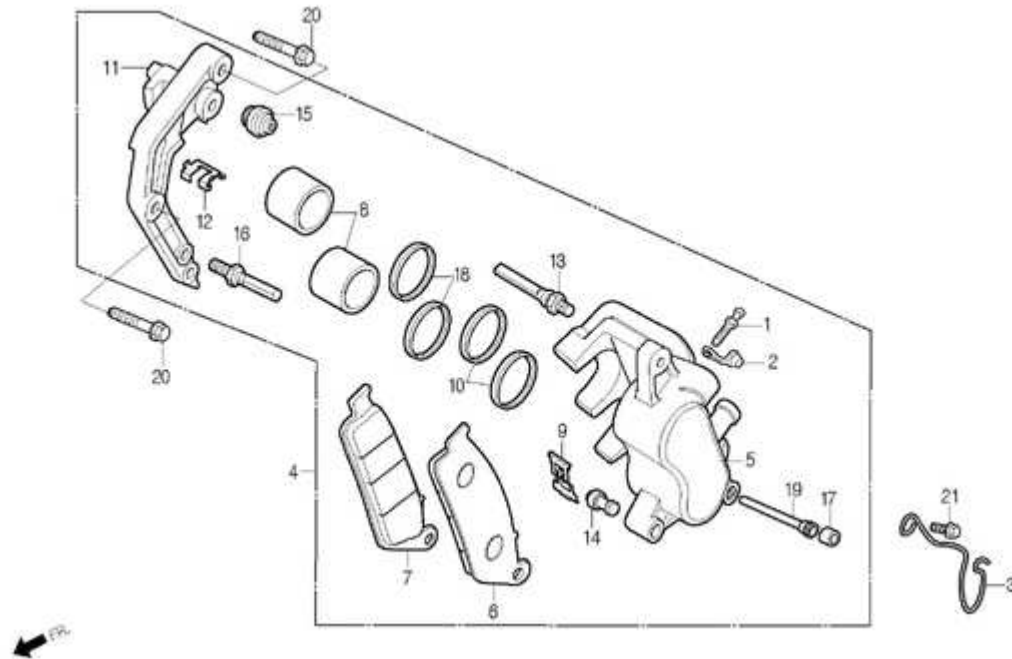
FRONT BRAKE CALIPER



Service Item	FRT	Ref. No.	Part No.	Description	QTY	A/S	Exch	Start Date	Start FRM.No	End FRM.No
CALIPER ASS'Y, LH.FR.	0.4	1	43352-BA5-9000-M1	BLEEDER(DC)	1	N		20061214	KMYBA4BLS7C300001	
PAD COMP.	0.1	2	43353-BA5-9000-M1	CAP BLEEDER(DC)	1	N		20061214	KMYBA4BLS7C300001	
BRACKET, CALIPER	0.2	3	44832-BA5-0000	CLAMP, SPEEDOMETER CABLE	1	Y		20061214	KMYBA4BLS7C300001	
PISTON	0.5	4	45100-BA5-RB00	CALIPER ASS'Y, LH.FR.	1	Y		20061214	KMYBA4BLS7C300001	
(ADD 0.1 FOR EACH)		5	45101-BA5-9000-M1	BODY, CALIPER(DC)	1	N		20061214	KMYBA4BLS7C300001	
(INCLUDE RELATIVE PARTS)		6	45105-BA5-RB10-M1	PAD COMP. A(DC)	1	Y		20061214	KMYBA4BLS7C300001	
		7	45106-BA5-RB10-M1	PAD COMP. B(DC)	1	Y		20061214	KMYBA4BLS7C300001	
		8	45107-BA5-9000-M1	PISTON(DC)	2	N		20061214	KMYBA4BLS7C300001	
		9	45108-BA5-9000-M1	SPRING, PAD(DC)	1	N		20061214	KMYBA4BLS7C300001	
		10	45109-BA5-9000-M1	SEAL, DUST(DC)	2	N		20061214	KMYBA4BLS7C300001	
		11	45110-BA5-9000-M1	BRACKET, CALIPER(DC)	1	Y		20061214	KMYBA4BLS7C300001	
		12	45112-BA5-9000-M1	RETAINER(DC)	1	N		20061214	KMYBA4BLS7C300001	
		13	45131-BA5-9000-M1	BOLT, PIN(DC)	1	N		20061214	KMYBA4BLS7C300001	
		14	45132-BA5-9000-M1	BOOT, PIN BUSH(DC)	1	N		20061214	KMYBA4BLS7C300001	
		15	45133-BA5-9000-M1	PIN, BOOT(DC)	1	N		20061214	KMYBA4BLS7C300001	
		16	45135-BA5-9000-M1	BOLT, PIN A (DC)	1	N		20061214	KMYBA4BLS7C300001	
		17	45203-BA5-9000-M1	PLUG, PIN(DC)	1	N		20061214	KMYBA4BLS7C300001	
		18	45209-BA5-9000-M1	SEAL, PISTON(DC)	2	N		20061214	KMYBA4BLS7C300001	
		19	45215-BA5-9000-M1	PIN, HANGER(DC)	1	N		20061214	KMYBA4BLS7C300001	
		20	90101-BA4-0000	BOLT, SPECIAL FLANGE, 8x31	2	N	Y	20061214	KMYBA4BLS7C300001	KMYBA4BLSEC306892
			90101-BA5-0000	BOLT, SPECIAL FLANGE, 8x31	2	Y		20130705	KMYBA4BLSEC306893	

F-10

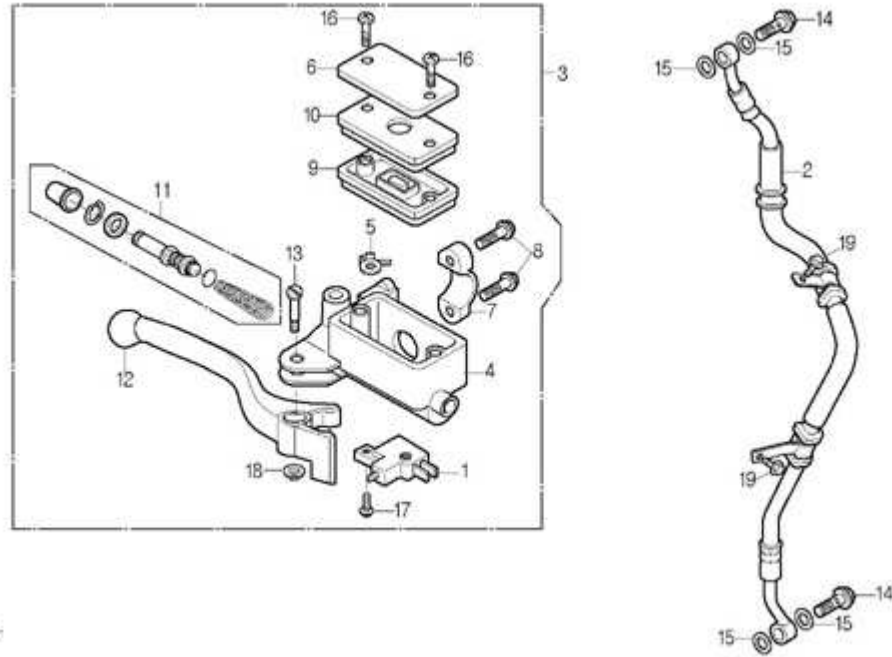
FRONT BRAKE CALIPER



Service Item	FRT	Ref. No.	Part No.	Description	QTY	A/S	Exch	Start Date	Start FRM.No	End FRM.No
		21	S5701-06012-07	BOLT, FLANGE, 6x12	1	Y		20061214	KMYBA4BLS7C300001	

F-04

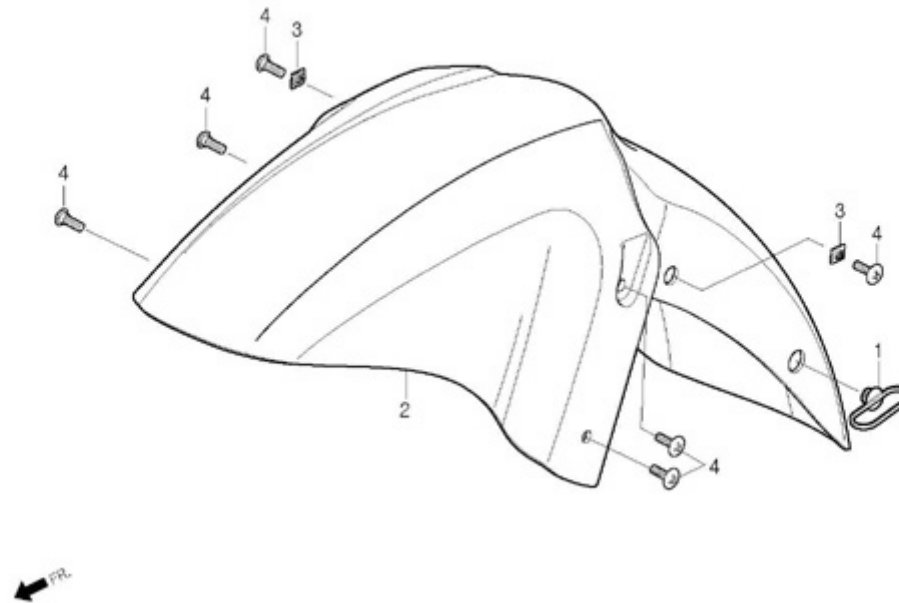
FRONT BRAKE MASTER CYLINDER



Service Item	FRT	Ref. No.	Part No.	Description	QTY	A/S	Exch	Start Date	Start FRM.No	End FRM.No
SWITCH ASS'Y, FR.STOP	0.1	1	35340-BA4-0000-M1	SWITCH ASS'Y, FR.STOP	1	Y		20061214	KMYBA4BLS7C300001	
·LEVER COMP., RH.HANDLE	0.4	2	45126-BA4-0000-M1	HOSE COMP., FR.BRAKE	1	Y		20061214	KMYBA4BLS7C300001	
·DIAPHRAGM		3	45500-BA4-0000-M1	CYLINDER ASS'Y, FR.MASTER	1	Y		20061214	KMYBA4BLS7C300001	
HOSE COMP., FR.BRAKE		4	45501-BA4-0000-M1	BODY, MASTER CYLINDER FR.	1	N		20061214	KMYBA4BLS7C300001	
·CYLINDER ASS'Y, FR.MASTER		5	45512-BA4-0000-M1	PLATE, PROTECTOR	1	N		20061214	KMYBA4BLS7C300001	
·PISTON SET, MASTER CYLINDER		6	45513-BA4-0000-M1	CAP, MASTER CYLINDER	1	N		20061214	KMYBA4BLS7C300001	
		7	45517-BA4-0000-M1	HOLDER, MASTER CYLINDER	1	N		20061214	KMYBA4BLS7C300001	
		8	45518-BA4-0000-M1	BOLT, MASTER CYLINDER HOLDER	2	N		20061214	KMYBA4BLS7C300001	
		9	45520-BA4-0000-M1	DIAPHRAGM	1	N		20061214	KMYBA4BLS7C300001	
		10	45521-BA4-0000-M1	PLATE, DIAPHRAGM	1	N		20061214	KMYBA4BLS7C300001	
		11	45530-BA4-0000	PISTON SET, MASTER CYLINDER	1	N		20061214	KMYBA4BLS7C300001	
		12	53175-BA4-0000-M1	LEVER COMP., RH.HANDLE	1	Y		20061214	KMYBA4BLS7C300001	
		13	90113-BA4-0000-M1	BOLT, HANDLE LEVER	1	N		20061214	KMYBA4BLS7C300001	
		14	90145-BA7-9000	OIL BOLT, 10x22	2	Y		20061214	KMYBA4BLS7C300001	
		15	90545-BA6-0000	WASHER, OIL BOLT	4	Y		20061214	KMYBA4BLS7C300001	
		16	S3600-04012-1G	SCREW, FLATE 4x12	2	N		20061214	KMYBA4BLS7C300001	
		17	S3893-04012-17	SCREW, WASHER 4x12	1	N		20061214	KMYBA4BLS7C300001	
		18	S4050-06000	NUT, FLANGE 6mm	1	N		20061214	KMYBA4BLS7C300001	
		19	S5701-06012-07	BOLT, FLANGE 6x12	2	Y		20061214	KMYBA4BLS7C300001	

F-07

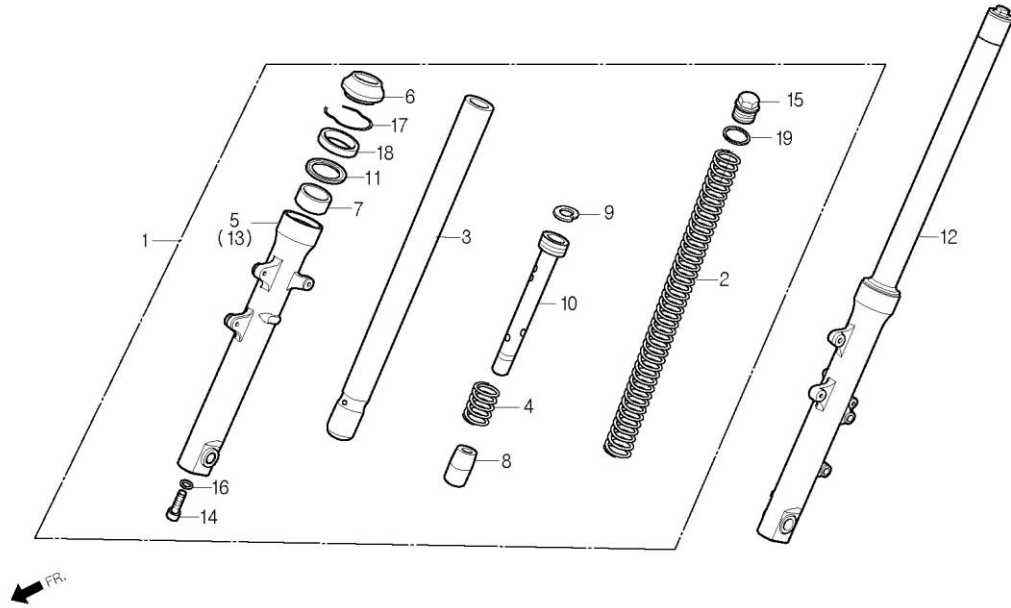
FRONT FENDER



정비항목 Service item	FR	Ref. No.	부품번호	영문부품명	부 품 명	수량	호환 공급	시작일	종료일	시작차대번호	종료차대번호
FENDER, FR.	0.2	1	45451-BA5-0000	GROMMET, WIRE	와이어 그로멧	1	Y	20061214		KMYBA4BLS7C300001	
		2	61100-BA4-0000-BL	FENDER, FR.(S/BLUE)	후론트 쉐다(바다색)	1	Y	20061214		KMYBA4BLS7C300001	
			61100-BA4-0000-GB	FENDER, FR.(G/BLUE)	후론트 쉐다(검정색)	1	Y	20061214		KMYBA4BLS7C300001	
			61100-BA4-0000-TY	FENDER, FR.(T/GRAY)	후론트 쉐다(암회색)	1	Y	20061214		KMYBA4BLS7C300001	
			61100-BA4-0000-WP	FENDER, FR.(P/WHITE)	후론트 쉐다(진주백색)	1	Y	20090501		KMYBA4BLS8C302723	
		3	61102-BA4-0000	NUT, SPECIAL	스페셜 너트	2	Y	20061214		KMYBA4BLS7C300001	
		4	90110-SE5-0000	SCREW, SPECIAL 6x14	스페셜 스크류 6x14	6	Y	20061214		KMYBA4BLS7C300001	

F-09

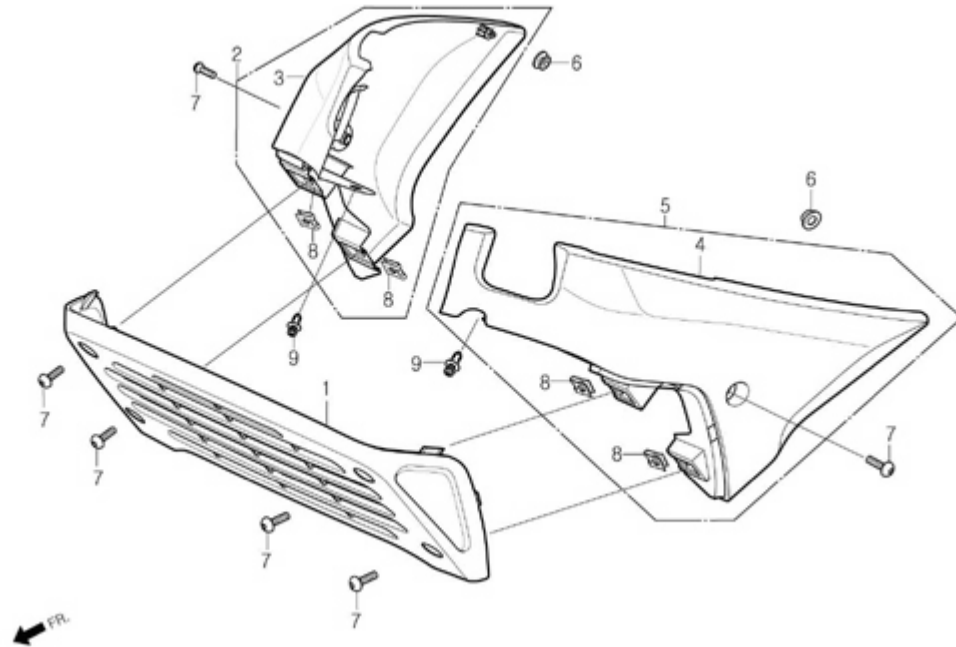
FRONT FORK



Service item	FRT	Ref No.	Part No.	Description	QTY	A/S	Exch	Start Date	End Date	Start FRM.No	End FRM.No
FORK ASS'Y, FR. (ADD 0.1 FOR EACH)	0.4	1	51400-BA4-0010	FORK ASS'Y, RH.FR.	1	Y		20061214		KMYBA4BLS7C300001	
		2	51401-BA4-0000	SPRING, FR.FORK	2	N		20061214		KMYBA4BLS7C300001	
SPRING, FR.FORK	0.2	3	51410-BA4-0000	PIPE COMP., FORK	2	N		20061214		KMYBA4BLS7C300001	
		4	51412-BA5-9000	SPRING, REBOUND	2	N		20061214		KMYBA4BLS7C300001	
PIPE COMP., FORK (ADD 0.4 FOR EACH)	0.6	5	51420-BA4-0010	CASE, RH.BOTTOM	1	N		20061214		KMYBA4BLS7C300001	
		6	51425-BA5-9000	SEAL, DUST	2	Y		20061214		KMYBA4BLS7C300001	
CASE, BOTTOM (ADD 0.5 FOR EACH)	0.7	7	51427-BA5-9000	BUSH, GUIDE	2	N		20061214		KMYBA4BLS7C300001	
		8	51432-BA5-9000	PIECE, OIL LOCK	2	N		20061214		KMYBA4BLS7C300001	
		9	51437-BA5-9000	RING, PISTON	2	N		20061214		KMYBA4BLS7C300001	
		10	51440-BA4-0000	PIPE, SEAT	2	N		20061214		KMYBA4BLS7C300001	
		11	51441-BA5-9000	RING, BACK UP	2	N		20061214		KMYBA4BLS7C300001	
		12	51500-BA4-0010	FORK ASS'Y, LH.FR.	1	Y		20061214		KMYBA4BLS7C300001	
		13	51520-BA4-0010	CASE, LH.BOTTOM	1	N		20061214		KMYBA4BLS7C300001	
		14	90116-BA6-7210-M1	BOLT, SOCKET, 8mm	2	N		20061214		KMYBA4BLS7C300001	
		15	90123-BA5-9000	BOLT, FR.FORK	2	N		20061214		KMYBA4BLS7C300001	
		16	90544-HD2-0000	WASHER, SPECIAL, 8mm	2	N		20061214		KMYBA4BLS7C300001	
		17	90601-BA5-9000	RING, OIL SEAL STOP	2	N		20061214		KMYBA4BLS7C300001	
		18	91255-BA5-9000	SEAL, OIL	2	N		20061214		KMYBA4BLS7C300001	
		19	91356-BA5-9000	O-RING	2	N		20061214		KMYBA4BLS7C300001	

F-08

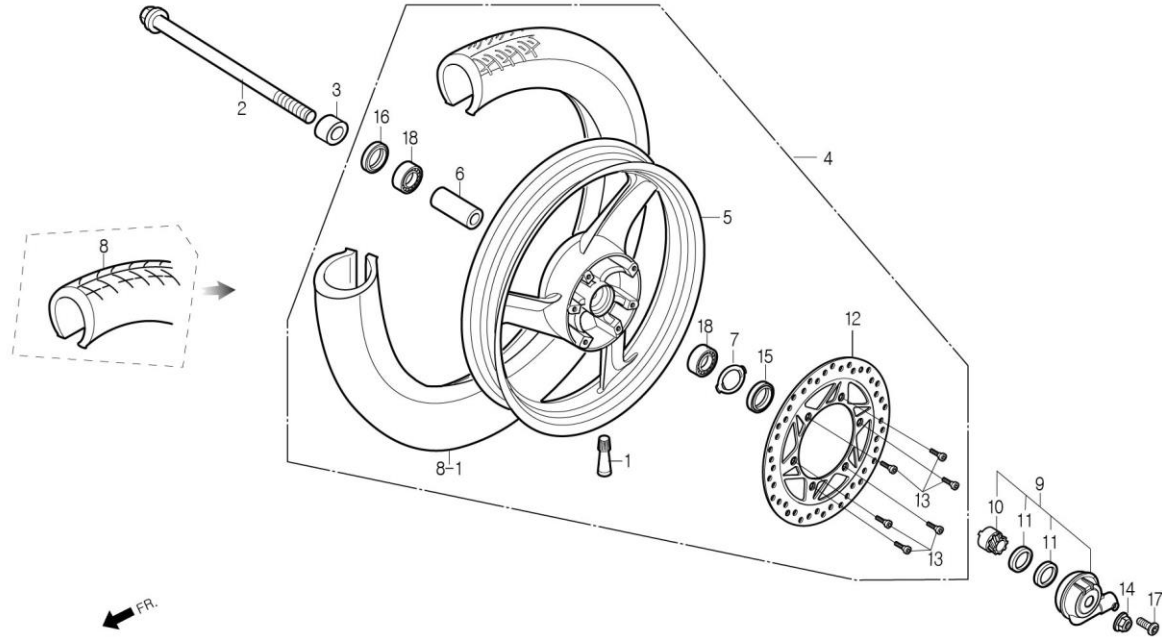
FRONT SIDE COVER



Service Item	FRT	Ref. No.	Part No.	Description	QTY	A/S	Exch	Start Date	Start FRM.No	End FRM.No
COVER, FR.SIDE (ADD 0.1 FOR EACH)	0.1	1	19131-BA4-0000	COVER COMP., RADIATOR	1	Y		20061214	KMYBA4BLS7C300001	
		2	61400-BA4-0000	COVER ASS'Y, FR.RH.SIDE	1	Y		20061214	KMYBA4BLS7C300001	
		3	61403-BA4-0000	COVER, FR.RH.SIDE	1	N		20061214	KMYBA4BLS7C300001	
COVER COMP., RADIATOR	0.1	4	61404-BA4-0000	COVER, FR.LH.SIDE	1	N		20061214	KMYBA4BLS7C300001	
		5	61500-BA4-0000	COVER ASS'Y, FR.LH.SIDE	1	Y		20061214	KMYBA4BLS7C300001	
		6	83551-BA6-0000	GROMMET, SIDE COVER	2	Y		20061214	KMYBA4BLS7C300001	
		7	90192-SB1-0000	SCREW, SPECIAL 5x12	6	Y		20061214	KMYBA4BLS7C300001	
		8	90677-SE5-0030	NUT, CLIP 5mm	4	N		20061214	KMYBA4BLS7C300001	
		9	90683-SE5-0030	CLIP, BODY COVER	2	Y		20061214	KMYBA4BLS7C300001	

F-11

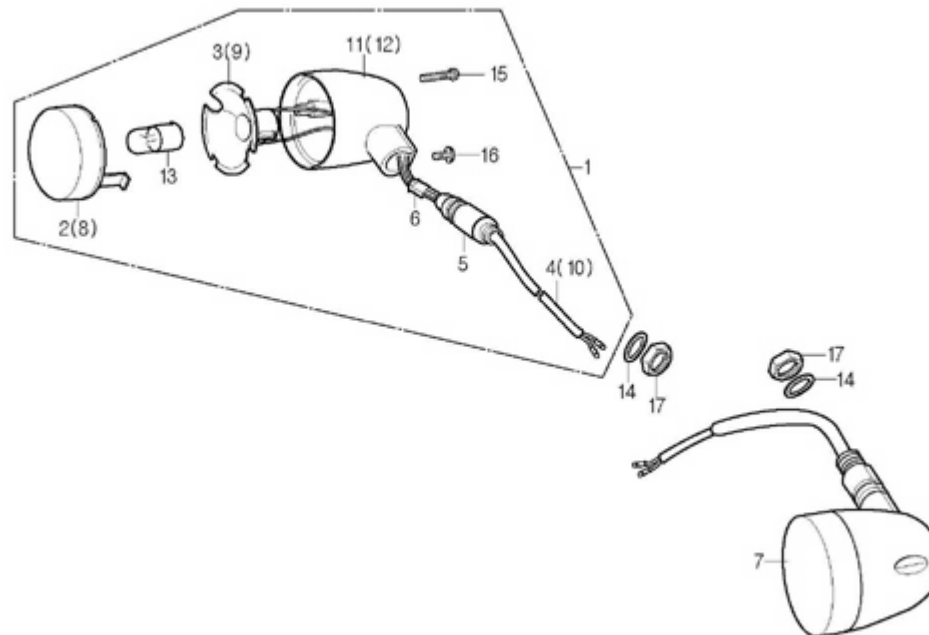
FRONT WHEEL



Service item	FRT	Ref No.	Part No.	Description	QTY	A/S	Exch	Start Date	End Date	Start FRM.No	End FRM.No
AXLE, FR.WHEEL	0.2	1	42753-BA7-0000	VALVE, RIM, TR 413	1	Y		20061214		KMYBA4BLS7C300001	
		2	44301-BA4-0000	AXLE, FR.WHEEL	1	Y		20061214		KMYBA4BLS7C300001	
WHEEL, FR.CASTING	1.1	3	44311-BA5-0000	COLLAR, FR.WHEEL SIDE	1	Y		20061214		KMYBA4BLS7C300001	
		4	44600-BA4-0010	WHEEL ASS'Y, FR.	1	N		20061214		KMYBA4BLS7C300001	
TIRE, FR.	0.9	5	44601-BA4-0010	WHEEL, FR.CASTING(OPAQUE BLACK)	1	Y		20061214		KMYBA4BLS7C300001	
COLLAR, FR.DISTANCE	0.6	6	44620-BA5-9000	COLLAR, FR.DISTANCE	1	Y		20061214		KMYBA4BLS7C300001	
BEARING, RADIAL BALL 6302U (ADD 0.1 FOR EACH)		7	44680-BA6-0000	RETAINER, GEAR BOX	1	Y		20061214		KMYBA4BLS7C300001	
		8	44711-BA4-0000-M1	TIRE, FR.	1	N	Y	20061214	20140331	KMYBA4BLS7C300001	KMYBA4BLSEC307179
		8-1	44711-BA4-0000-M2	TIRE, FRONT(110/70-17 54P)	1	Y		20140401		KMYBA4BLSEC307180	
BOX ASS'Y, SPEEDOMETER GEAR	0.2	9	44800-BA4-0000-M1	BOX ASS'Y, SPEEDOMETER GEAR	1	Y		20061214		KMYBA4BLS7C300001	
		10	44806-BA4-0000-M1	GEAR, SPEEDOMETER	1	N		20061214		KMYBA4BLS7C300001	
DISK, LH.FR.BRAKE	0.4	11	44809-BA6-0000-M3	WASHER, GEAR	2	N		20061214		KMYBA4BLS7C300001	
		12	45351-BA4-0000-M1	DISK, LH.FR.BRAKE	1	Y		20061214		KMYBA4BLS7C300001	
		13	90106-BA5-0000	BOLT, FR.DISK, 8x24	6	Y		20061214		KMYBA4BLS7C300001	
		14	90305-CB2-0030	NUT, U, 14mm	1	Y		20061214		KMYBA4BLS7C300001	
		15	91257-BA6-0030	SEAL, OIL, 28x42x7	1	Y		20061214		KMYBA4BLS7C300001	
		16	91258-BA6-0060	SEAL, DUST, 40x50x5	1	Y		20061214		KMYBA4BLS7C300001	
		17	S3700-05016-0G	SCREW, OVAL, 5x16	1	Y		20061214		KMYBA4BLS7C300001	
		18	S6140-63020-10	BEARING, RADIAL BALL 6302(U)	2	Y		20061214		KMYBA4BLS7C300001	

F-28

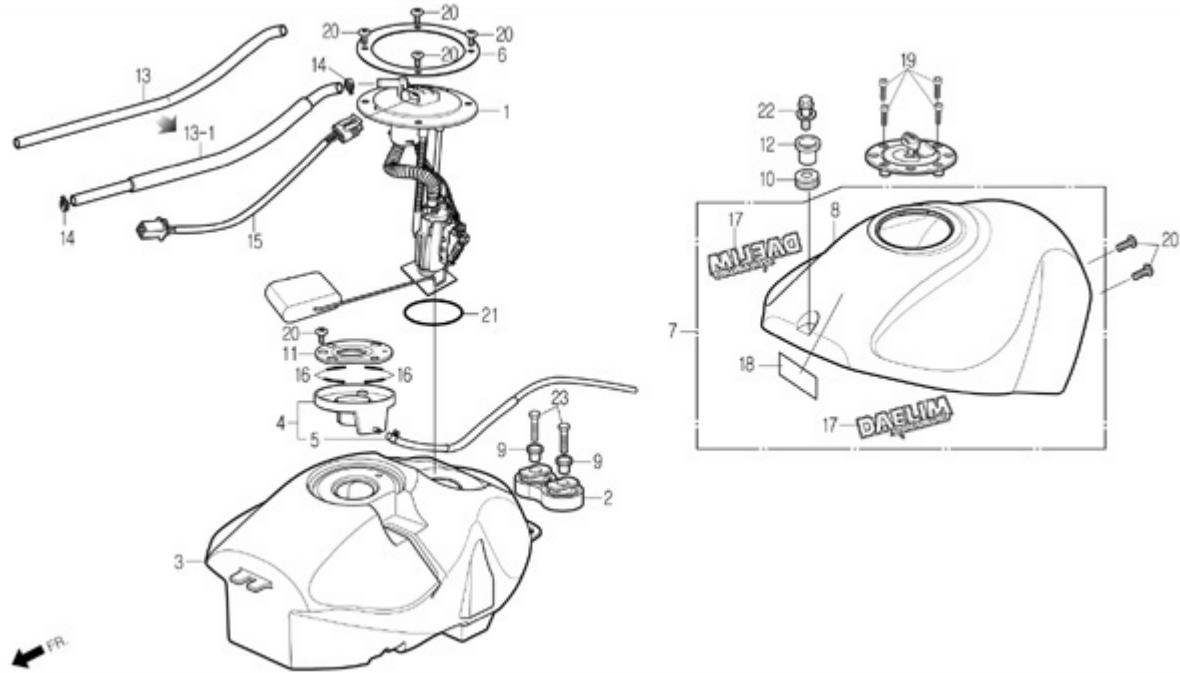
FRONT WINKER



Service Item	FRT	Ref. No.	Part No.	Description	QTY	A/S	Exch	Start Date	Start FRM.No	End FRM.No
WINKER ASS'Y, FR.	0.2	1	33400-BA4-0000	WINKER ASS'Y, RH.FR.	1	Y		20061214	KMYBA4BLS7C300001	
·LENS, WINKER	0.1	2	33402-SA2-RB10	LENS, A.WINKER	1	N		20061214	KMYBA4BLS7C300001	
·REFLECTOR, WINKER		3	33403-SA2-RB00	REFLECTOR, A.WINKER	1	N		20061214	KMYBA4BLS7C300001	
·STAY COMP., FR.WINKER		4	33410-BA4-0000	CORD COMP., RH.FR.WINKER	1	N		20061214	KMYBA4BLS7C300001	
BULB, WINKER		5	33440-SA2-0000-M1	STAY COMP., FR.WINKER	2	N		20061214	KMYBA4BLS7C300001	
		6	33445-SA2-0000	INNER STAY B, WINKER	2	N		20061214	KMYBA4BLS7C300001	
		7	33450-BA4-0000	WINKER ASS'Y, LH.FR.	1	Y		20061214	KMYBA4BLS7C300001	
		8	33452-SA2-RB10	LENS, B.WINKER	1	N		20061214	KMYBA4BLS7C300001	
		9	33453-SA2-RB00	REFLECTOR, B.WINKER	1	N		20061214	KMYBA4BLS7C300001	
		10	33460-BA4-0000	CORD COMP., LH.FR.WINKER	1	N		20061214	KMYBA4BLS7C300001	
		11	33601-BA1-0020	BASE, RH.RR.WINKER	1	N		20061214	KMYBA4BLS7C300001	
		12	33651-BA1-0020	BASE, LH.RR.WINKER	1	N		20061214	KMYBA4BLS7C300001	
		13	34905-SA2-RB00	BULB, WINKER(12V 10W)	2	Y		20061214	KMYBA4BLS7C300001	
		14	90505-BA6-6700	WASHER, 13x20	2	Y		20061214	KMYBA4BLS7C300001	
		15	S3901-34610	SCREW, TAPPING 4x25	2	N		20061214	KMYBA4BLS7C300001	
		16	S3903-24210	SCREW, TAPPING 4x10	2	N		20061214	KMYBA4BLS7C300001	
		17	S4001-12200-0S	NUT, HEX 12mm	2	Y		20061214	KMYBA4BLS7C300001	

F-13

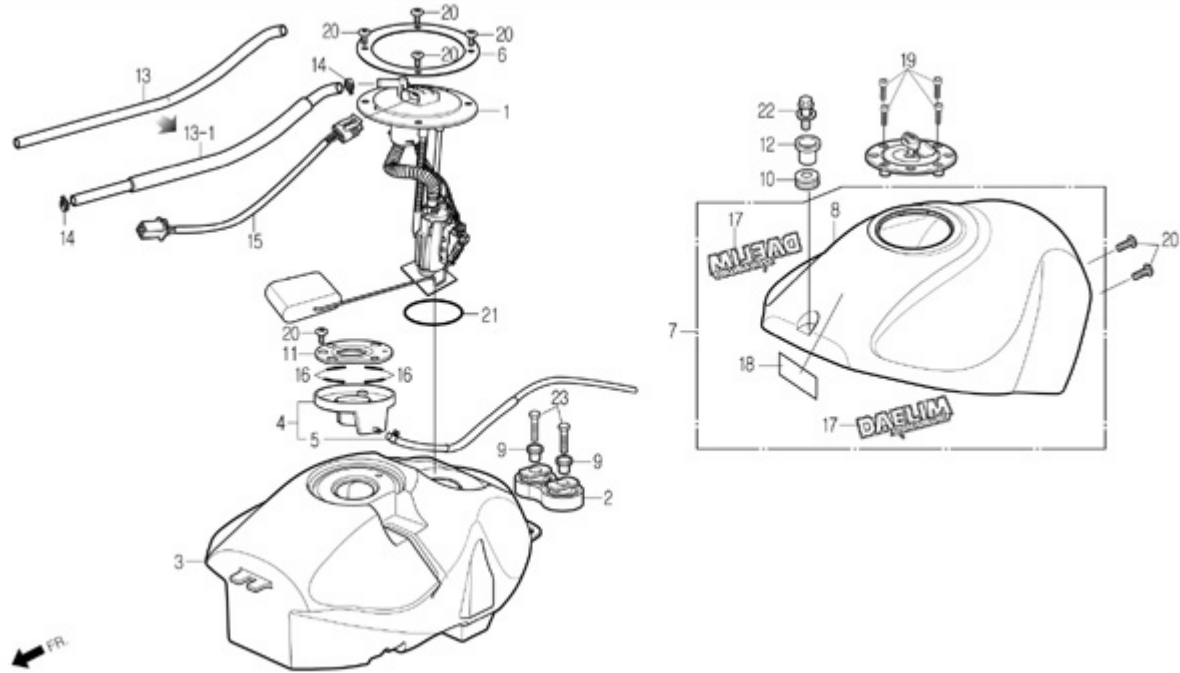
FUEL TANK



Service Item	FRT	Ref. No.	Part No.	Description	QTY	A/S	Exch	Start Date	Start FRM.No	End FRM.No
TANK COVER, FUEL	0.1	1	16700-BA4-R300-M1	PUMP ASS'Y, FUEL	1	Y		20061214	KMYBA4BLS7C300001	
TANK COMP., FUEL	0.2	2	17508-BA4-0000	CUSHION, FUEL TANK CENTER	1	Y		20061214	KMYBA4BLS7C300001	
PUMP, FUEL	0.2	3	17510-BA4-R300	TANK COMP., FUEL	1	Y		20061214	KMYBA4BLS7C300001	
		4	17513-BA4-0000	NECK ASS'Y, FUEL CAP	1	Y		20061214	KMYBA4BLS7C300001	
		5	17514-BA4-0000	TUBE ASS'Y, VINYL 9x900	1	N		20061214	KMYBA4BLS7C300001	
		6	17514-SA4-R300	PLATE, FUEL PUMP SETTING	1	N		20061214	KMYBA4BLS7C300001	
		7	1752A-BA4-RZ00-BL	COVER ASS'Y, TANK(S/BLUE)	1	Y		20061214	KMYBA4BLS7C300001	
			1752A-BA4-RZ00-GB	COVER ASS'Y, TANK(G/BLUE)	1	Y		20061214	KMYBA4BLS7C300001	
			1752A-BA4-RZ00-TY	COVER ASS'Y, TANK(T/GRAY)	1	Y		20061214	KMYBA4BLS7C300001	
			1752A-BA4-RZ00-WP	COVER ASS'Y, TANK(P/WGITE)	1	Y		20090501	KMYBA4BLS9C302723	
			1752A-BA4-RA00-BL	COVER ASS'Y, TANK(S/BLUE)	1	Y		20100201	KMYBA4BLSAC304423	
			1752A-BA4-RA00-GB	COVER ASS'Y, TANK(G/BLUE)	1	Y		20100201	KMYBA4BLSAC304423	
			1752A-BA4-RA00-TY	COVER ASS'Y, TANK(T/GRAY)	1	Y		20100201	KMYBA4BLSAC304423	
			1752A-BA4-RA00-WP	COVER ASS'Y, TANK(P/WHITE)	1	Y		20100201	KMYBA4BLSAC304423	
		8	17520-BA4-0000-BL	TANK COVER, FUEL(S/BLUE)	1	N		20061214	KMYBA4BLS7C300001	
			17520-BA4-0000-GB	TANK COVER, FUEL(G/BLUE)	1	N		20061214	KMYBA4BLS7C300001	
			17520-BA4-0000-TY	TANK COVER, FUEL(T/GRAY)	1	N		20061214	KMYBA4BLS7C300001	
			17520-BA4-0000-WP	TANK COVER, FUEL(P/WHITE)	1	N		20090501	KMYBA4BLS9C302723	
		9	17526-BA6-9600	COLLAR, FUEL TANK MOUNTING	2	Y		20061214	KMYBA4BLS7C300001	
		10	17611-BA4-0000	CUSHION, FUEL TANK FR.	1	Y		20061214	KMYBA4BLS7C300001	
		11	17614-BA4-0000	RUBBER, TANK SEALING	1	Y		20061214	KMYBA4BLS7C300001	
		12	17621-BA4-0000	COLLAR, FUEL TANK FR.	1	Y		20061214	KMYBA4BLS7C300001	

F-13

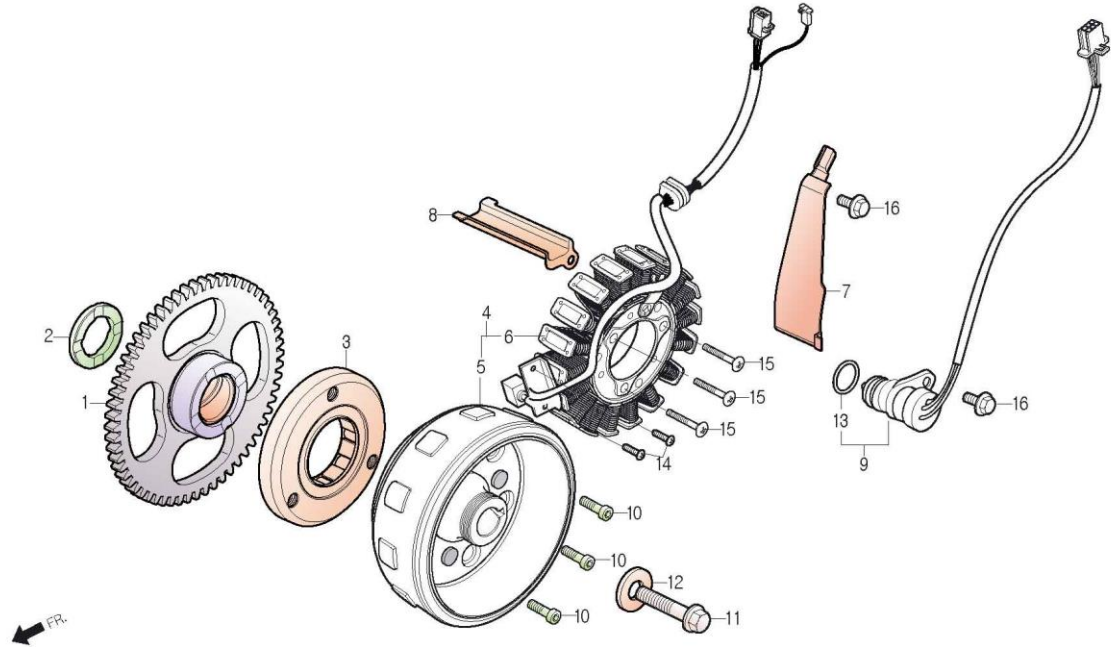
FUEL TANK



Service Item	FRT	Ref. No.	Part No.	Description	QTY	A/S	Exch	Start Date	Start FRM.No	End FRM.No
		13	17636-BA4-R300	HOSE, FUEL	1	N	Y	20061214	KMYBA4BLS7C300001	KMYBA4BLS9C302284
			17636-BA4-R300-M1	HOSE, FUEL	1	N	Y	20080617	KMYBA4BLS9C302285	KMYBA4BLS9C302328
		13-1	17636-BA4-R310-M1	HOSE, FUEL	1	Y		20080717	KMYBA4BLS9C302329	
		14	17637-BA1-R300	CLIP, HOSE	2	N	Y	20061214	KMYBA4BLS7C300001	KMYBA4BLSAC304422
			19411-SA4-0000	CLIP, HOSE	2	Y		20100125	KMYBA4BLSAC304423	
		15	32101-BA4-R300	SUB CORD COMP., FUEL PUMP	1	N	Y	20061214	KMYBA4BLS7C300001	KMYBA4BLSAC303850
			32101-BA4-R310	SUB CORD COMP., FUEL PUMP	1	Y		20090921	KMYBA4BLSAC303851	
		16	64209-BA4-0000	RUBBER, FUEL NECK CAP SEAL	4	Y		20061214	KMYBA4BLS7C300001	
		17	87125-BA4-RZ00-BL	STRIPE, FUEL TANK(S/BLUE)	2	Y		20061214	KMYBA4BLS7C300001	
			87125-BA4-RZ00-WP	STRIPE, FUEL TANK(P/WHITE)	2	Y		20090501	KMYBA4BLS9C302723	
		18	87560-BA7-9000-EX	MARK, DRIVE CAUTION(ENGLISH)	1	Y		20061214	KMYBA4BLS7C300001	
		19	90152-BA4-0000	BOLT, SOCKET 5x25	4	Y		20061214	KMYBA4BLS7C300001	
		20	90192-SB1-0000	SCREW, SPECIAL 5x12	7	Y		20061214	KMYBA4BLS7C300001	
		21	91305-SA4-R300	O-RING 67x5	1	N	Y	20061214	KMYBA4BLS7C300001	KMYBA4BLSBC305408
			91305-SA4-R310	O-RING 66.4x5.6	1	Y		20101101	KMYBA4BLSBC305409	
		22	S3404-06042-00	BOLT, WASHER 6x42	1	Y		20061214	KMYBA4BLS7C300001	
		23	S5701-08035-08	BOLT, FLANGE 8x35	2	N	Y	20061214	KMYBA4BLS7C300001	KMYBA4BLSAC304583
			S5701-08035-00	BOLT, FLANGE 8x35	2	Y		20100501	KMYBA4BLSAC304584	

E-09

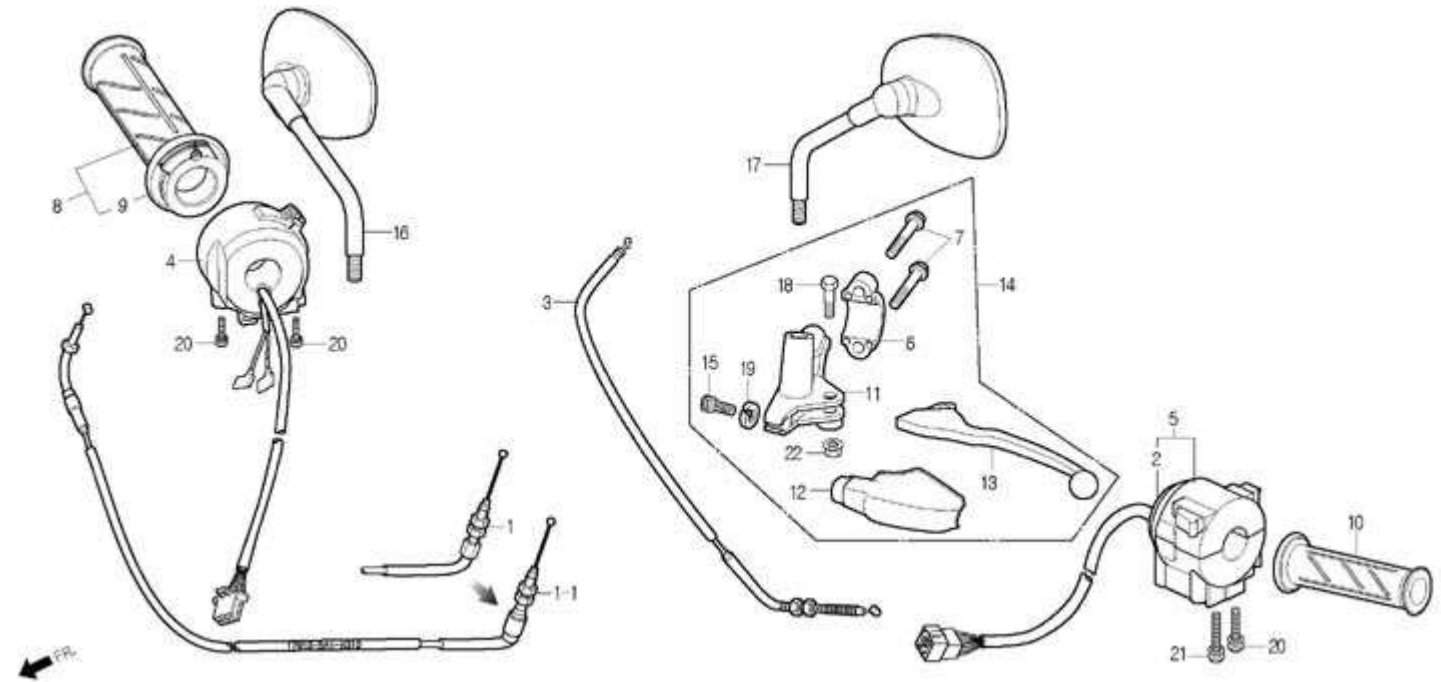
GENERATOR



Service item	FRT	Ref No.	Part No.	Description	QTY	A/S	Exch	Start Date	End Date	Start FRM.No	End FRM.No
GEAR COMP., STARTER DRIVEN	0.8	1	28110-BA6-9610	GEAR COMP., STARTER DRIVEN	1	Y		20061214		KMYBA4BLS7C300001	
		2	28114-BA6-9300	COLLAR, STARTER DRIVEN GEAR	1	Y		20061214		KMYBA4BLS7C300001	
ONE WAY CLUTCH ASS'Y, STARTER	1.0	3	28120-BA6-0050	ONE WAY CLUTCH ASS'Y, START	1	N	Y	20061214		KMYBA4BLS7C300001	
· FLYWHEEL COMP			2812A-BA6-0000-M1	CLUTCH ASS'Y, STARTER ONEWAY	1	Y					
		4	31100-BA1-R300	GENERATER ASS'Y, AC.	1	Y		20061214		KMYBA4BLS7C300001	
STATOR COMP.	0.9	5	31110-BA1-R300	FLYWHEEL COMP.	1	N		20061214		KMYBA4BLS7C300001	
SWITCH ASS'Y, CHANGE	0.3	6	31120-BA1-R300	STATOR COMP.	1	Y		20061214		KMYBA4BLS7C300001	
		7	32976-BA6-8300	CLAMP, AC.GENERATOR CORD	1	Y		20061214		KMYBA4BLS7C300001	
		8	32976-BA6-9600	GUIDE, AC.GENERATOR CORD	1	Y		20061214		KMYBA4BLS7C300001	
		9	35759-BA1-1000	SWITCH ASS'Y, CHANGE	1	N	Y	20061214		KMYBA4BLS7C300001	
			35759-BA1-1000-M1	SWITCH ASS'Y, CHANGE	1	Y					
		10	90010-BA6-0000	BOLT, SOCKET, 8x18	3	Y		20061214		KMYBA4BLS7C300001	
		11	90023-BA6-9600	BOLT, ROTOR SETTING, 10x36	1	Y		20061214		KMYBA4BLS7C300001	
		12	90403-BA6-9300	WASHER, 10x24	1	Y		20061214		KMYBA4BLS7C300001	
		13	91305-BA6-0030	O-RING, 16.5x2.5	1	N		20061214		KMYBA4BLS7C300001	
		14	S3500-05016-0A	SCREW, PAN, 5x16	2	N	Y	20061214	20070630	KMYBA4BLS7C300001	KMYBA4BLS8C301165
		15	S3500-05016-0H	SCREW, PAN, 5x16	2	N	Y	20070701	20100430	KMYBA4BLS8C301166	KMYBA4BLSAC304583
		16	S3500-05016-0A	SCREW, PAN, 5x16	2	Y		20100501		KMYBA4BLSAC304584	
		17	S3500-05032-0A	SCREW, PAN, 5x32	3	Y		20061214		KMYBA4BLS7C300001	
		18	S6001-06014-00	BOLT, FLANGE, SH.6x14	2	Y		20061214		KMYBA4BLS7C300001	

F-03

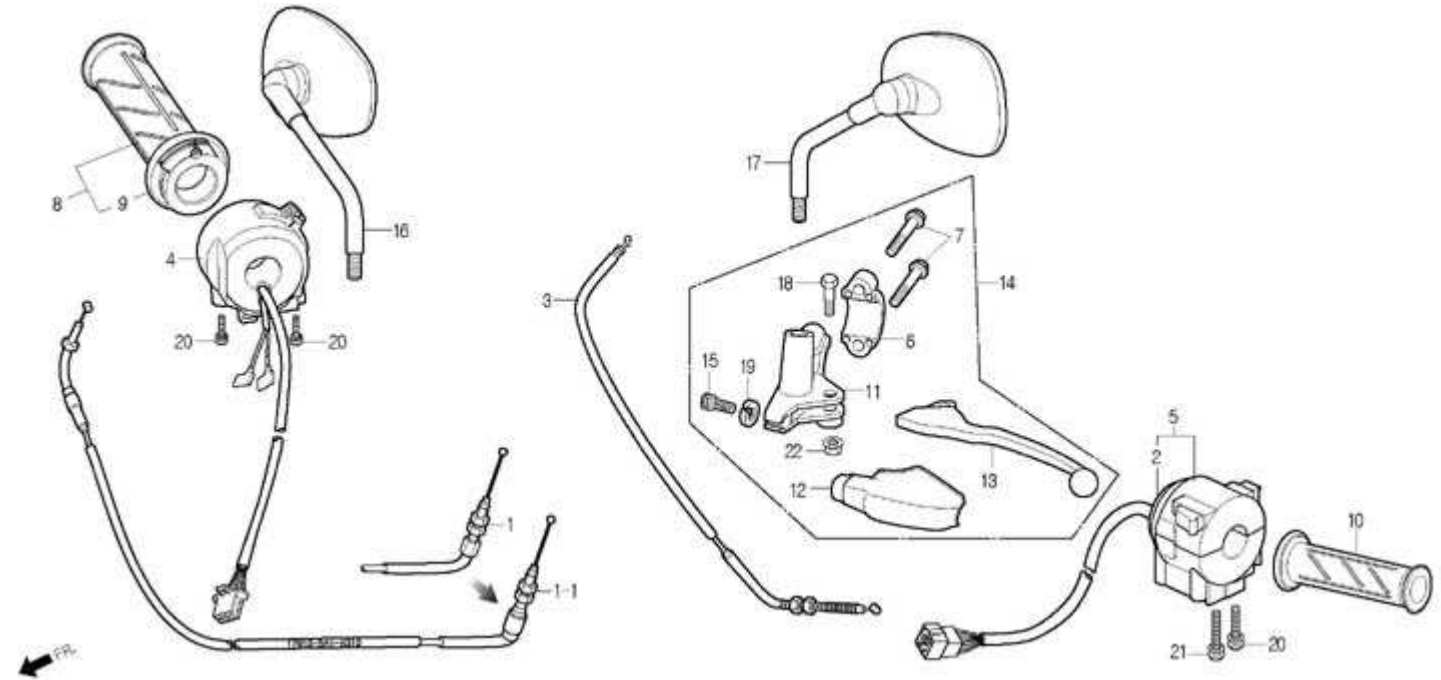
HANDLE LEVER / SWITCH / CABLE



Service Item	FRT	Ref. No.	Part No.	Description	QTY	A/S	Exch	Start Date	Start FRM.No	End FRM.No
CABLE COMP., THROTTLE	0.4	1	17910-BA4-R300	CABLE COMP., THROTTLE	1	N	Y	20061214	KMYBA4BLS7C300001	KMYBA4BLSBC305332
CABLE COMP., CLUTCH	0.2	1-1	17910-BZ1-0010	CABLE COMP., THROTTLE	1	Y		20100901	KMYBA4BLSBC305333	
SWITCH ASS'Y, LIGHTING START	0.5	2	17962-BA4-R300	LEVER, CHOKE	1	N		20061214	KMYBA4BLS7C300001	
GRIP COMP., RH.	0.1	3	22870-BA4-0000-M1	CABLE COMP., CLUTCH	1	Y		20061214	KMYBA4BLS7C300001	
GRIP, LH.HANDLE	0.1	4	35150-BA4-RB00	SWITCH ASS'Y, LIGHTING START	1	Y		20061214	KMYBA4BLS7C300001	
LEVER COMP., LH.STEERING HANDLE	0.1	5	35200-BA4-R300	SWITCH ASS'Y, WINKER	1	N	Y	20061214	KMYBA4BLS7C300001	KMYBA4BLS7C301135
			35200-BA4-R310	SWITCH ASS'Y, WINKER	1	Y		20070425	KMYBA4BLS7C301136	
		6	45517-BA6-0060	HOLDER, MASTER CYLINDER	1	N		20061214	KMYBA4BLS7C300001	
		7	45518-BA4-0000-M1	BOLT, MASTER CYLINDER HOLDER	2	N		20061214	KMYBA4BLS7C300001	
		8	53140-BA4-0000	GRIP COMP., RH.	1	Y		20061214	KMYBA4BLS7C300001	
		9	53141-BA4-0000	PIPE, THROTTLE GRIP	1	N		20061214	KMYBA4BLS7C300001	
		10	53166-BA4-0000	GRIP, LH.HANDLE	1	Y		20061214	KMYBA4BLS7C300001	
		11	53172-BA6-9600	BRACKET, LH.HANDLE LEVER	1	N		20061214	KMYBA4BLS7C300001	
		12	53173-BA7-9500	COVER, LH.HANDLE LEVER	1	N		20061214	KMYBA4BLS7C300001	KMYBA4BLS8C302020
		13	53178-BA7-9500	LEVER COMP., LH.STEERING HANDLE	1	Y		20061214	KMYBA4BLS7C300001	
		14	53190-BA4-0000	LEVER ASS'Y, LH.HANDLE	1	Y	Y	20061214	KMYBA4BLS7C300001	KMYBA4BLS8C302020
			53190-BA4-0010	LEVER ASS'Y, LH.HANDLE	1	Y		20080422	KMYBA4BLS8C302021	
		15	53192-BA7-0000	BOLT, CLUTCH CABLE ADJUST	1	N	N	20061214	KMYBA4BLS7C300001	KMYBA4BLS8C302020
			53192-BA8-0000	BOLT, CLUTCH CABLE ADJUST	1	N		20080422	KMYBA4BLS8C302021	
		16	88110-BA4-0010	MIRROR ASS'Y, RH.BACK	1	Y		20061214	KMYBA4BLS7C300001	

F-03

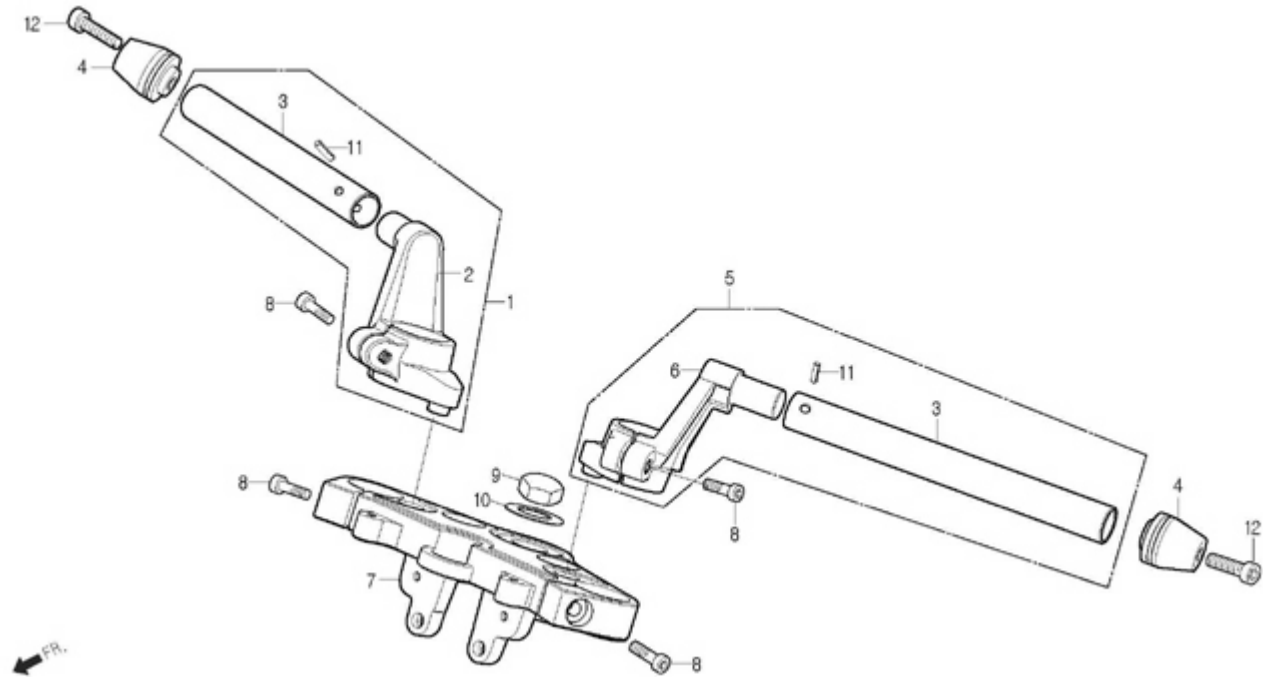
HANDLE LEVER / SWITCH / CABLE



Service Item	FRT	Ref. No.	Part No.	Description	QTY	A/S	Exch	Start Date	Start FRM.No	End FRM.No
		17	88120-BA4-0010	MIRROR ASS'Y, LH.BACK	1	Y		20061214	KMYBA4BLS7C300001	
		18	90114-BA4-0000	BOLT, HANDLE LEVER PIVOT	1	Y		20061214	KMYBA4BLS7C300001	
		19	90321-BA6-6700	NUT, FIXING	1	N	N	20061214	KMYBA4BLS7C300001	KMYBA4BLS8C302020
			90321-BA8-0000	NUT, FIXING	1	N		20080422	KMYBA4BLS8C302021	
		20	S3892-05028-08	SCREW, WASHER 5x28	3	N	Y	20061214	KMYBA4BLS7C300001	KMYBA4BLSAC304583
			S3892-05028-00	SCREW, WASHER 5x28	3	Y		20100501	KMYBA4BLSAC304584	
		21	S3892-05045-08	SCREW, WASHER 5x45	1	N	Y	20061214	KMYBA4BLS7C300001	KMYBA4BLSAC304583
			S3892-05045-00	SCREW, WASHER 5x45	1	Y		20100501	KMYBA4BLSAC304584	
		22	S4050-06080	NUT, FLANGE 6mm	1	Y		20061214	KMYBA4BLS7C300001	

F-05

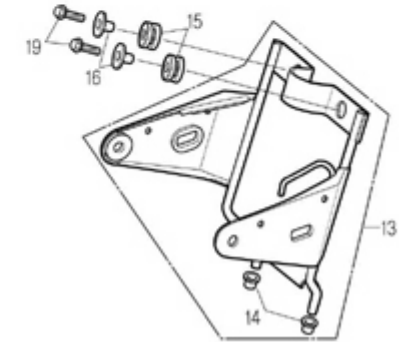
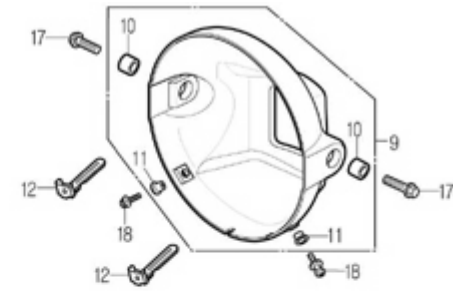
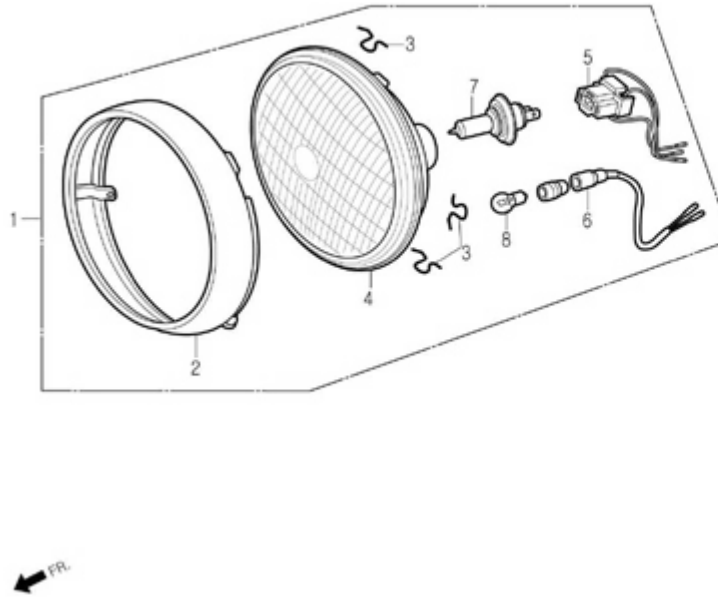
HANDLE PIPE / TOP BRIDGE



Service Item	FRT	Ref. No.	Part No.	Description	QTY	A/S	Exch	Start Date	Start FRM.No	End FRM.No
PIPE COMP., RH.STEERING HANDLE	0.4	1	53100-BA4-0000	PIPE COMP., RH.STEERING HANDLE	1	Y		20061214	KMYBA4BLS7C300001	
	0.4	2	53101-BA4-0000	BOSS, RH.HANDLE	1	N		20061214	KMYBA4BLS7C300001	
PIPE COMP., LH.STEERING HANDLE	0.6	3	53102-BA4-0000	BAR COMP., HANDLE	2	N		20061214	KMYBA4BLS7C300001	
BRIDGE, FORK TOP		4	53106-BY0-0010	WEIGHT CAP, HANDLE	2	Y		20061214	KMYBA4BLS7C300001	
		5	53150-BA4-0000	PIPE COMP., LH.STEERING HANDLE	1	Y		20061214	KMYBA4BLS7C300001	
		6	53151-BA4-0000	BOSS, LH.HANDLE	1	N		20061214	KMYBA4BLS7C300001	
		7	53230-BA4-0000	BRIDGE, FORK TOP	1	Y		20061214	KMYBA4BLS7C300001	
		8	90112-BA5-0000	BOLT, SOCKET 8x30	4	Y		20061214	KMYBA4BLS7C300001	
		9	90304-HD2-0000	NUT, STEERING STEM	1	Y		20061214	KMYBA4BLS7C300001	
		10	90503-BA4-0000	WASHER, STEERING STEM NUT(SUS)	1	Y		20061214	KMYBA4BLS7C300001	
		11	S4305-25082	PIN, SPRING 2.5x8	2	N		20061214	KMYBA4BLS7C300001	
		12	S6700-08065-00	BOLT, SOCKET 8x65	2	Y		20061214	KMYBA4BLS7C300001	

F-01

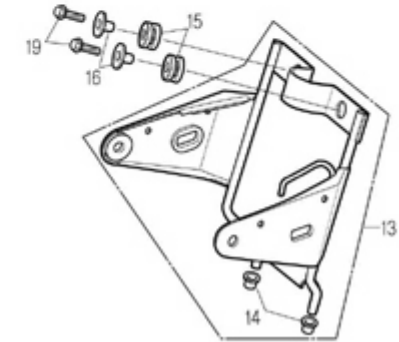
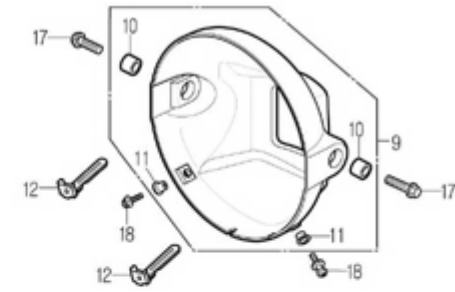
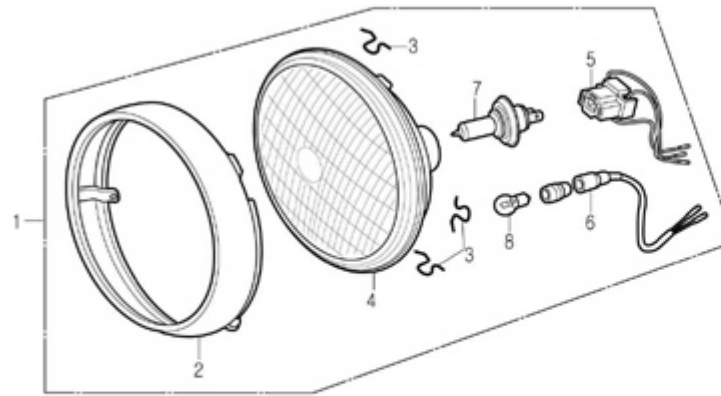
HEADLIGHT



Service Item	FRT	Ref. No.	Part No.	Description	QTY	A/S	Exch	Start Date	Start FRM.No	End FRM.No
HEADLIGHT ASS'Y	0.1	1	33100-BA4-RA00-M1	LIGHT ASS'Y, HEAD(United kingdom)	1	Y		20061214	KMYBA4BLS7C300001	
·BULB, HEADLIGHT	0.2		33100-BA4-RB00	HEADLIGHT ASS'Y	1	Y		20061214	KMYBA4BLS7C300001	
·BULB, WEDGE BASE	0.4	2	33101-BA7-6200	RIM, HEADLIGHT	1	N		20061214	KMYBA4BLS7C300001	
·CASE, HEADLIGHT		3	33108-BA7-0030	SPRING, UNIT HOLDER	3	N		20061214	KMYBA4BLS7C300001	
CASE, HEADLIGHT		4	33120-BA4-0000	UNIT, HEADLIGHT	1	N		20061214	KMYBA4BLS7C300001	
STAY COMP., HEADLIGHT		5	33130-BA7-RB10-M1	SOCKET ASS'Y, HEADLIGHT	1	N		20061214	KMYBA4BLS7C300001	
		6	33150-BA7-RB00-M1	SOCKET ASS'Y, POSITION LIGHT	1	N		20061214	KMYBA4BLS7C300001	
		7	34901-BA4-0000	BULB, HEADLIGHT(HS 1)	1	Y		20061214	KMYBA4BLS7C300001	
		8	34902-SA1-RB00	BULB, WEDGE BASE(12V 5W)	1	Y		20061214	KMYBA4BLS7C300001	
		9	61301-X10-1000	CASE, HEADLIGHT	1	Y		20061214	KMYBA4BLS7C300001	
		10	61302-BA7-9000	COLLAR, HEADLIGHT CASE	2	N		20061214	KMYBA4BLS7C300001	
		11	61304-BA7-0000	COLLAR, HEADLIGHT SETTING	2	N		20061214	KMYBA4BLS7C300001	
		12	61304-BA7-9000	NUT, LH.HEADLIGHT CASE	2	Y		20061214	KMYBA4BLS7C300001	
		13	61311-BA4-0010	STAY COMP., HEADLIGHT	1	Y		20061214	KMYBA4BLS7C300001	
		14	61312-BA6-3000	BOOT, HEADLIGHT BRACKET	2	N		20061214	KMYBA4BLS7C300001	
		15	64212-X10-0000	RUBBER, FR.COWL MOUNT	2	Y		20061214	KMYBA4BLS7C300001	
		16	64213-X10-0000	COLLAR, FR.COWL SETTING	2	Y		20061214	KMYBA4BLS7C300001	
		17	90100-BA7-0000	BOLT, SPECIAL FLANGE 8x22(Y)	2	Y		20061214	KMYBA4BLS7C300001	
		18	S3892-05016-08	SCREW, WASHER 5x16	2	N	Y	20061214	KMYBA4BLS7C300001	KMYBA4BLSAC304583
			S3892-05016-00	SCREW, WASHER 5x16	2	Y		20100501	KMYBA4BLSAC304584	
		19	S5701-06025-08	BOLT, FLANGE 6x25	2	N	Y	20061214	KMYBA4BLS7C300001	KMYBA4BLSAC304583

F-01

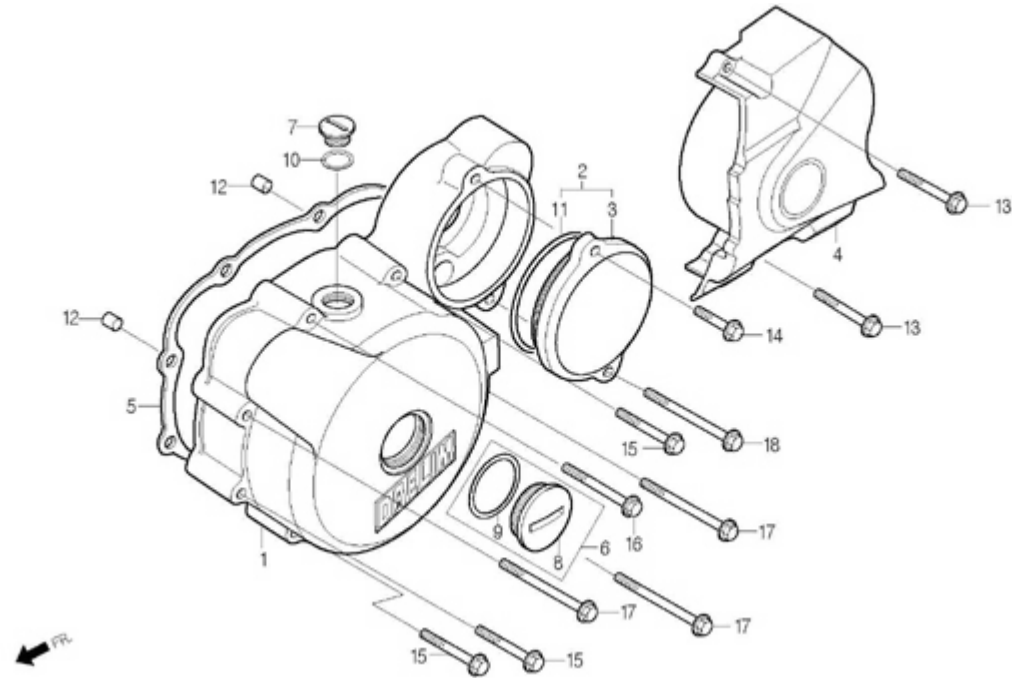
HEADLIGHT



Service Item	FRT	Ref. No.	Part No.	Description	QTY	A/S	Exch	Start Date	Start FRM.No	End FRM.No
			S5701-06025-00	BOLT, FLANGE 6x25	2	Y		20100501	KMYBA4BLSAC304584	

E-08

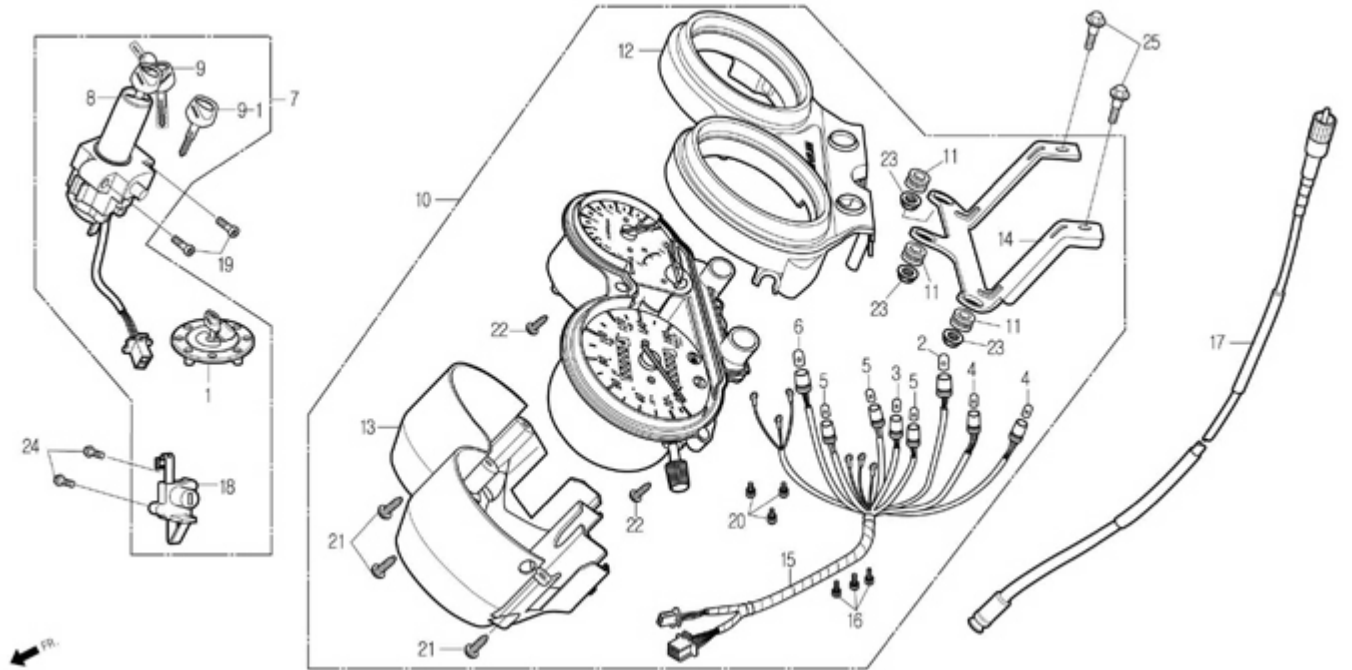
LEFT CRANK CASE COVER



Service Item	FRT	Ref. No.	Part No.	Description	QTY	A/S	Exch	Start Date	Start FRM.No	End FRM.No
COVER, LH.CRANK CASE	0.8	1	11340-BA4-0010	COVER, LH.CRANK CASE(OPAQUE SILVER)	1	Y		20061214	KMYBA4BLS7C300001	
		2	1135A-BA4-0010	COVER ASS'Y, REDUCTION GEAR	1	Y		20061214	KMYBA4BLS7C300001	
COVER, REDUCTION GEAR	0.2	3	11355-BA4-0010	COVER, REDUCTION GEAR(OPAQUE SILVER)	1	N		20061214	KMYBA4BLS7C300001	
		4	11360-BA4-0010	COVER COMP., LH.RR.(OPAQUE SILVER)	1	Y		20061214	KMYBA4BLS7C300001	
GASKET, LH.CRANK CASE	0.6	5	11395-BA7-0000-EU	GASKET, LH.CRANK CASE	1	Y		20061214	KMYBA4BLS7C300001	
COVER COMP., LH.RR.	0.1	6	9008A-BA4-0000	CAP ASS'Y, 30mm (AL)	1	Y		20061214	KMYBA4BLS7C300001	
		7	90084-CB2-PH00	CAP, AC.GENERATOR	1	Y		20061214	KMYBA4BLS7C300001	
		8	90087-CB2-PH00	CAP, 30mm	1	N		20061214	KMYBA4BLS7C300001	
		9	91302-BA4-0000	O-RING, 27.4x2.4(CII710)	1	N		20061214	KMYBA4BLS7C300001	
		10	91303-CB2-1000	O-RING, 13.8x2.5	1	Y		20061214	KMYBA4BLS7C300001	
		11	91359-BA6-0030	O-RING, 63.0x3.0	1	Y		20061214	KMYBA4BLS7C300001	
		12	S4301-10160	PIN, DOWEL 10x16	2	Y		20061214	KMYBA4BLS7C300001	
		13	S5701-06032-00	BOLT, FLANGE 6x32	2	Y		20061214	KMYBA4BLS7C300001	
		14	S6001-06020-00	BOLT, FLANGE SH.6x20	1	Y		20061214	KMYBA4BLS7C300001	
		15	S6001-06040-00	BOLT, FLANGE SH.6x40	3	Y		20061214	KMYBA4BLS7C300001	
		16	S6001-06055-00	BOLT, FLANGE SH.6x55	1	Y		20061214	KMYBA4BLS7C300001	
		17	S6001-06065-00	BOLT, FLANGE SH.6x65	3	Y		20061214	KMYBA4BLS7C300001	
		18	S6001-06070-00	BOLT, FLANGE SH.6x70	1	Y		20061214	KMYBA4BLS7C300001	

F-02

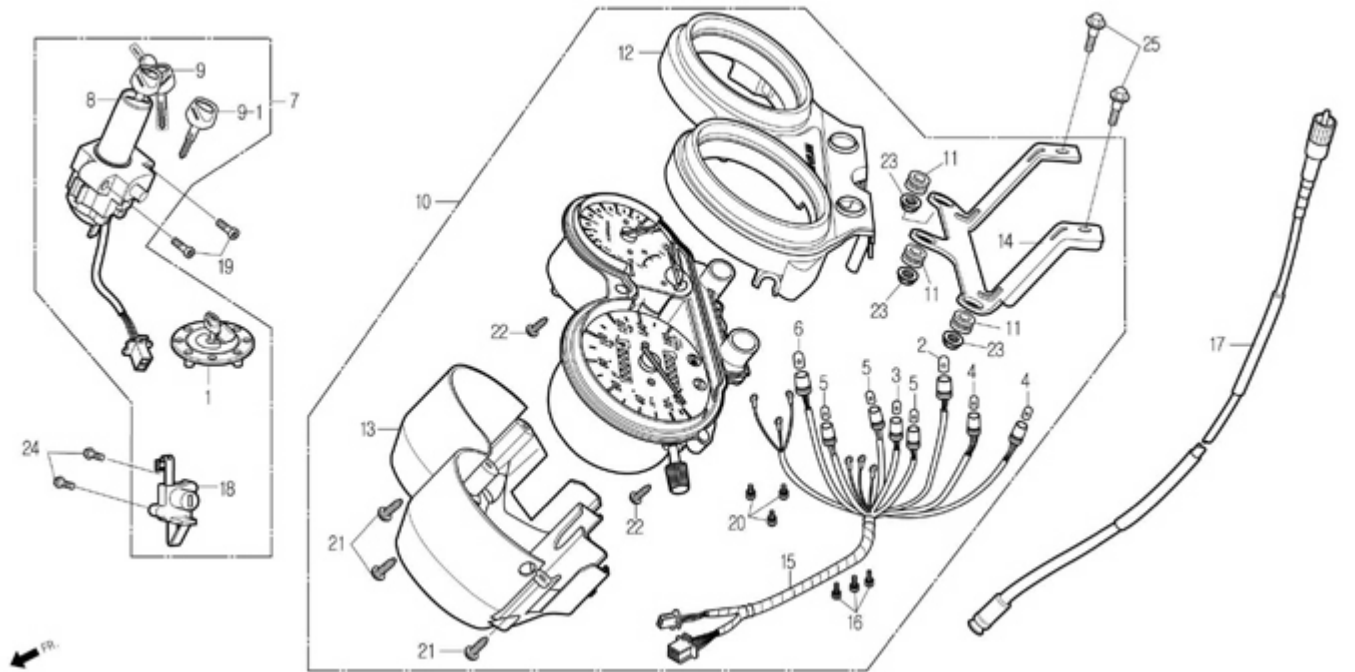
METER



Service Item	FRT	Ref. No.	Part No.	Description	QTY	A/S	Exch	Start Date	Start FRM.No	End FRM.No
METER ASS'Y, COMBINATION	0.2	1	17620-BA4-0000-M1	CAP COMP., FUEL FILLER	1	N		20061214	KMYBA4BLS7C300001	
KEY SET	0.5	2	34906-BA4-0000-M1	BULB, WEDGE BASE	1	Y		20061214	KMYBA4BLS7C300001	
CASE, METER	0.3	3	34908-BA4-0000-M1	BULB, WEDGE BASE	1	Y		20061214	KMYBA4BLS7C300001	
.STAY, METER	0.1	4	34908-BA6-6710-M1	BULB, WEDGE BASE T6.5	2	Y		20061214	KMYBA4BLS7C300001	
CABLE ASS'Y, SPEEDOMETER		5	34908-BA6-9510-M1	BULB, WEDGE BASE T6.5	3	Y		20061214	KMYBA4BLS7C300001	
		6	34909-BA4-0000-M1	BULB, WEDGE BASE	1	Y		20061214	KMYBA4BLS7C300001	
		7	35010-BA4-0000-M1	KEY SET	1	Y		20061214	KMYBA4BLS7C300001	
		8	35100-BA4-0000-M1	SWITCH ASS'Y, COMBI & LOCK	1	N		20061214	KMYBA4BLS7C300001	
		9	35111-BA4-0000-M1	KEY COMP.	2	N		20061214	KMYBA4BLS7C300001	
		9-1	35121-BA4-0000	KEY, BLANK	1	Y		20061214	KMYBA4BLS7C300001	
		10	37100-BA4-R300	METER ASS'Y, COMBINATION	1	Y		20061214	KMYBA4BLS7C300001	
		11	37106-BA4-0000	RUBBER, METER STAY MOUNT	3	N		20061214	KMYBA4BLS7C300001	
		12	37110-BA4-R300	UPPER COVER, METER	1	Y		20061214	KMYBA4BLS7C300001	
		13	37120-BA4-0000	LOWER COVER, METER	1	Y		20061214	KMYBA4BLS7C300001	
		14	37211-BA4-0000	STAY, METER	1	Y		20061214	KMYBA4BLS7C300001	
		15	37223-BA4-R300	SOCKET COMP., COMBINATION METER	1	N		20061214	KMYBA4BLS7C300001	
		16	37305-BA6-0080	SCREW, WASHER 3x22	3	N		20061214	KMYBA4BLS7C300001	
		17	44830-BA4-0000-M1	CABLE ASS'Y, SPEEDOMETER	1	Y		20061214	KMYBA4BLS7C300001	
		18	50730-BA4-0000-M1	ASS'Y, HELMET HOLDER & SEAT LOCK	1	N		20061214	KMYBA4BLS7C300001	
		19	90081-BA6-0000	BOLT, SOCKET 8x20	2	Y		20061214	KMYBA4BLS7C300001	
		20	90108-SE5-1080	SCREW, WASHER 3x10	3	N		20061214	KMYBA4BLS7C300001	

F-02

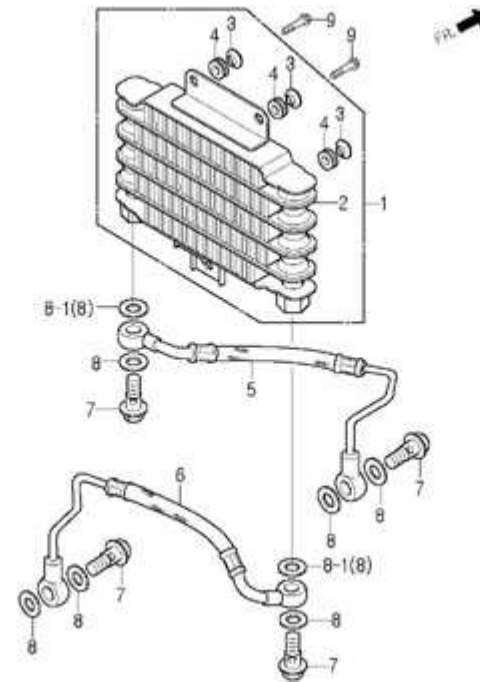
METER



Service Item	FRT	Ref. No.	Part No.	Description	QTY	A/S	Exch	Start Date	Start FRM.No	End FRM.No
		21	S3901-22420	SCREW, TAPPING 3x16	3	N		20061214	KMYBA4BLS7C300001	
		22	S3903-24520	SCREW, TAPPING 4x20	2	N		20061214	KMYBA4BLS7C300001	
		23	S4050-06080	NUT, FLANGE 6mm	3	N		20061214	KMYBA4BLS7C300001	
		24	S5701-06012-08	BOLT, FLANGE 6x12	2	N	Y	20061214	KMYBA4BLS7C300001	KMYBA4BLSAC304583
			S5701-06012-00	BOLT, FLANGE 6x12	2	Y		20090101	KMYBA4BLS9C302605	
		25	S6001-06022-07	BOLT, FLANGE SH.6x22	2	Y		20061214	KMYBA4BLS7C300001	

E-16

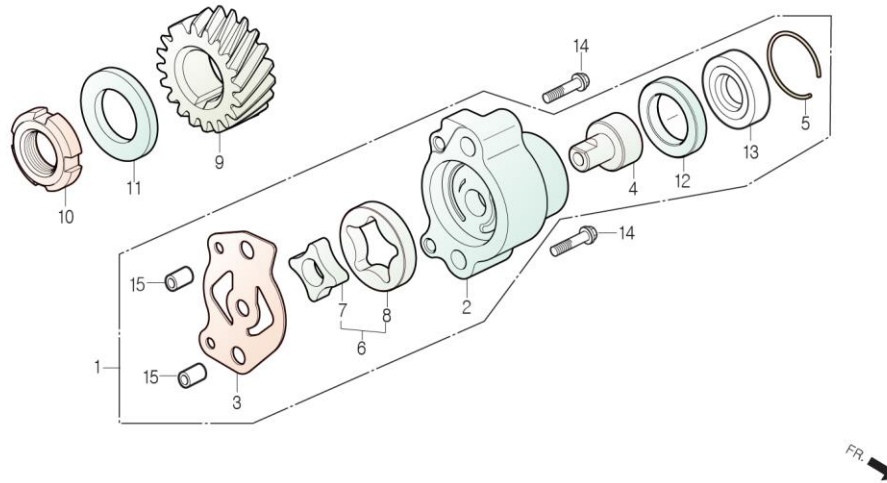
OIL COOLER



Service Item	FRT	Ref. No.	Part No.	Description	QTY	A/S	Exch	Start Date	Start FRM.No	End FRM.No
RADIATOR ASS'Y, OIL	0.2	1	1901A-BA4-0000	RADIATOR ASS'Y, OIL	1	Y		20061214	KMYBA4BLS7C300001	
		2	19010-SA1-0100	RADIATOR COMP., OIL	1	N		20061214	KMYBA4BLS7C300001	
		3	19011-SA1-0000	COLLAR, RADIATOR	3	N		20061214	KMYBA4BLS7C300001	
		4	19012-SA1-0100	RUBBER, RADIATOR	3	Y		20061214	KMYBA4BLS7C300001	
		5	19110-BA4-0000-M1	RADIATOR HOSE COMP., RH.	1	Y		20061214	KMYBA4BLS7C300001	
		6	19120-BA4-0000-M1	RADIATOR HOSE COMP., LH.	1	Y		20061214	KMYBA4BLS7C300001	
		7	90145-SA1-0000	BOLT, OIL THROUGH 12mm	4	Y		20061214	KMYBA4BLS7C300001	
		8	90407-BA6-0000	PACKING, DRAIN COCK 12.5x20	8	N	Y	20061214	KMYBA4BLS7C300001	KMYBA4BLSBC305411
			90407-BA6-0000	PACKING, DRAIN COCK 12.5x20	6	Y		20110215	KMYBA4BLSBC305412	
		8-1	90443-SA1-0000	WASHER, SELING 12mm	2	Y		20110215	KMYBA4BLSBC305412	
		9	S5701-06018-08	BOLT, FLANGE 6x18	2	N	Y	20061214	KMYBA4BLS7C300001	KMYBA4BLSAC304583
	S5701-06018-00	BOLT, FLANGE 6x18	2	Y		20100501	KMYBA4BLSAC304584			

E-06

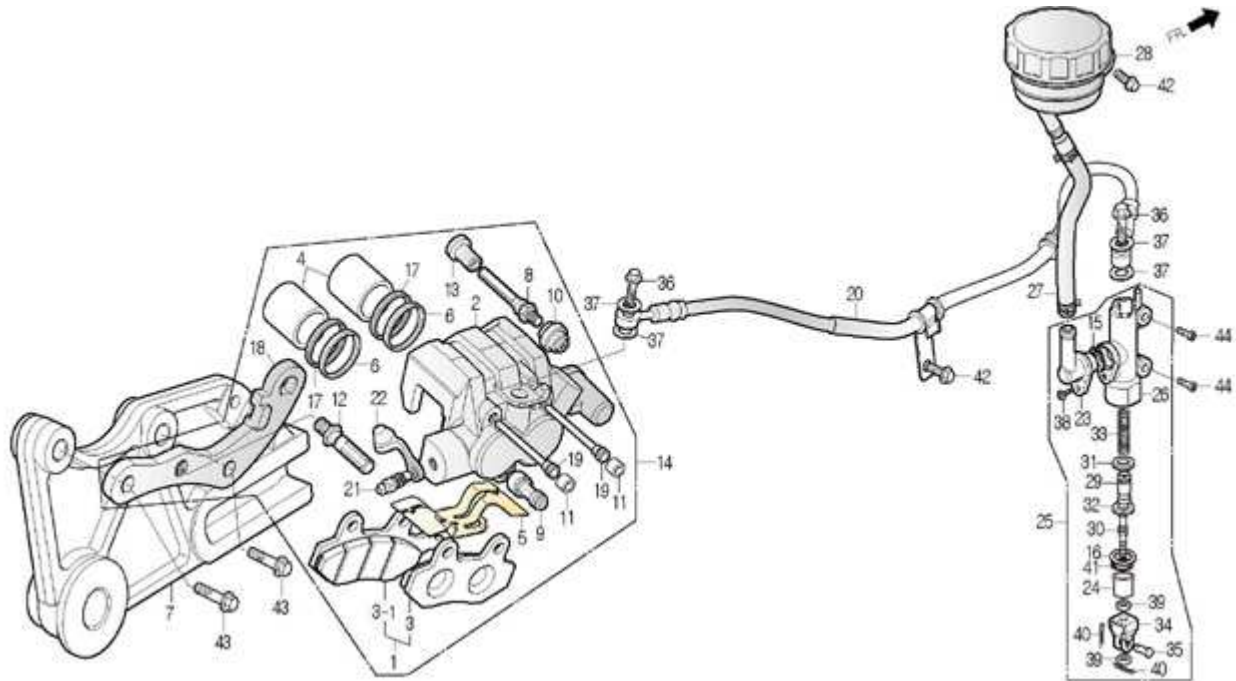
OIL PUMP



Service item	FRT	Ref No.	Part No.	Description	QTY	A/S	Exch	Start Date	End Date	Start FRM.No	End FRM.No
BODY, OIL PUMP (INCLUDE RELATIVE PARTS)	0.9	1	15100-BA1-0100	PUMP ASS'Y, OIL	1	Y		20061214		KMYBA4BLS7C300001	
		2	15111-BA1-0000	BODY, OIL PUMP	1	N		20061214		KMYBA4BLS7C300001	
		3	15113-BA1-0000	PLATE, OIL PUMP	1	N		20061214		KMYBA4BLS7C300001	
GEAR, PRIMARY DRIVE A	0.8	4	15132-BA6-9610	SHAFT, OIL PUMP	1	N		20061214		KMYBA4BLS7C300001	
SEAL, OIL 14x22x5		5	15133-BA6-9600	RING, SET	1	N		20061214		KMYBA4BLS7C300001	
		6	1533A-BA1-0100	ROTOR ASS'Y, OIL PUMP	1	Y		20061214		KMYBA4BLS7C300001	
		7	15331-BA1-0100	INNER ROTOR, OIL PUMP	1	N		20061214		KMYBA4BLS7C300001	
		8	15332-BA1-0000	OUTER ROTOR, OIL PUMP	1	N		20061214		KMYBA4BLS7C300001	
		9	23121-BA6-9600	GEAR, PRIMARY DRIVE A	1	Y		20061214		KMYBA4BLS7C300001	
		10	90231-BA6-8300	NUT, LOCK, 16mm	1	Y		20061214		KMYBA4BLS7C300001	
		11	90434-BA6-9300	WASHER, 16mm	1	Y		20061214		KMYBA4BLS7C300001	
		12	90466-BA6-9600	WASHER, 14mm	1	N		20061214		KMYBA4BLS7C300001	
		13	91203-BA6-0030	SEAL, OIL, 14x22x5	1	N		20061214		KMYBA4BLS7C300001	
		14	S6001-06032-00	BOLT, FLANGE, SH.6x32	2	Y		20061214		KMYBA4BLS7C300001	
		15	S6220-40100	ROLLER, 4x10	2	N		20061214		KMYBA4BLS7C300001	

F-12

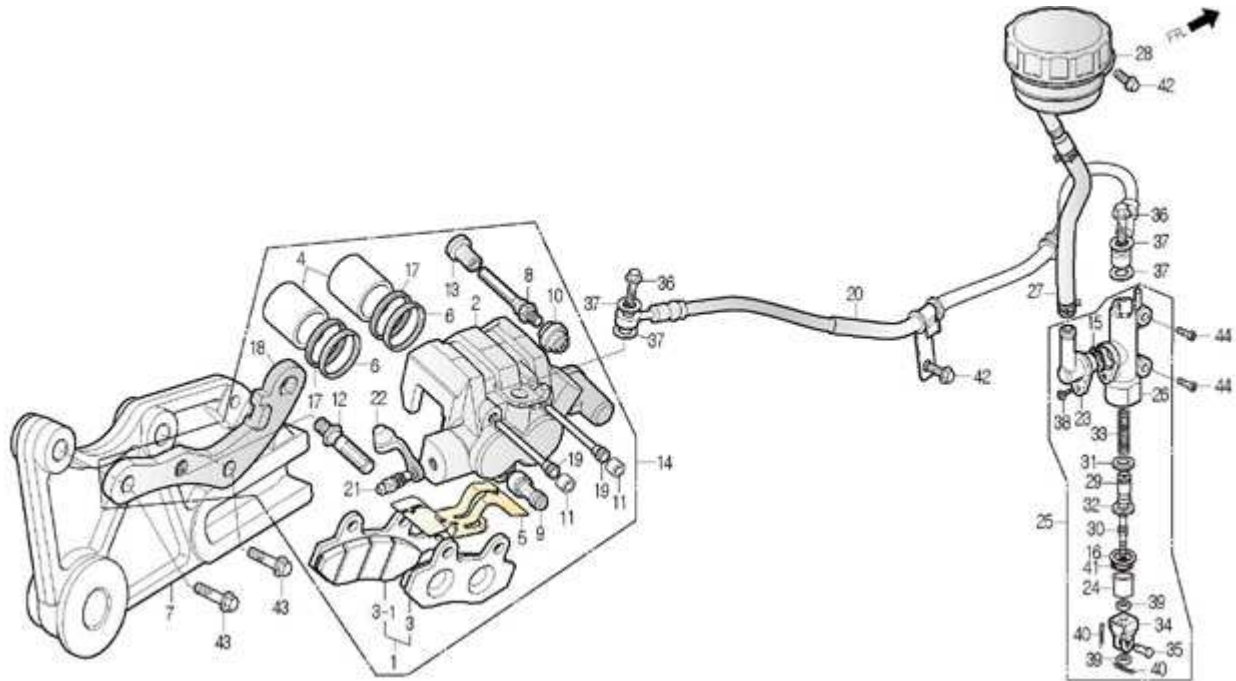
REAR BRAKE CALIPER



Service Item	FRT	Ref. No.	Part No.	Description	QTY	A/S	Exch	Start Date	Start FRM.No	End FRM.No
BRACKET, RR.CALIPER	0.3	1	4310A-BA4-0000-M1	PAD SET, RR.BRAKE	1	Y		20061214	KMYBA4BLS7C300001	
HOSE COMP., RR.BRAKE	0.2	2	43101-BA4-0000-M1	BODY, CALIPER	1	N		20061214	KMYBA4BLS7C300001	
MASTER CYLINDER ASS'Y, RR.	0.4	3	43105-BA4-0000-M1	PAD COMP., INNER	1	N		20061214	KMYBA4BLS7C300001	
(INCLUDE RELATIVE PARTS)	0.1	3-1	43106-BA4-0000-M1	PAD COMP., OUTER	1	N		20061214	KMYBA4BLS7C300001	
.HOSE COMP., RR.MASTER CYLINDER	0.4	4	43107-BA4-0000-M1	PISTON	2	N		20061214	KMYBA4BLS7C300001	
PAD SET	0.5	5	43108-BA4-0000-M1	SPRING, PAD	1	N		20061214	KMYBA4BLS7C300001	
CALIPER ASS'Y, RR.	0.3									
PISTON	0.2	6	43109-BA4-0000-M1	SEAL, DUST	2	N		20061214	KMYBA4BLS7C300001	
(ADD 0.1 FOR EACH)		7	43110-BA4-0010	BRACKET, RR.CALIPER	1	N	Y	20061214	KMYBA4BLS7C300001	KMYBA4BLS9C302604
BRACKET, CALIPER			43110-BZ1-0000	BRACKET, RR.CALIPER	1	Y		20090119	KMYBA4BLS9C302605	
ASS'Y, RR.RESERVOIR		8	43131-BA4-0000-M1	BOLT, PIN	1	N		20061214	KMYBA4BLS7C300001	
		9	43132-BA4-0000-M1	BUSH, BOOT PIN	1	N		20061214	KMYBA4BLS7C300001	
		10	43133-BA4-0000-M1	BOOT, PIN	1	N		20061214	KMYBA4BLS7C300001	
		11	43134-BA4-0000-M1	PLUG, DUST	2	N		20061214	KMYBA4BLS7C300001	
		12	43135-BA4-0000-M1	BOLT A, PIN	1	N		20061214	KMYBA4BLS7C300001	
		13	43137-BA4-0000-M1	PAD, HANGER PIN	1	N		20061214	KMYBA4BLS7C300001	
		14	43150-BA4-0000-M1	CALIPER ASS'Y, RR.	1	Y		20061214	KMYBA4BLS7C300001	
		15	43203-BA4-0000-M1	O RING	1	N		20061214	KMYBA4BLS7C300001	
		16	43205-BA4-0000-M1	WASHER	1	N		20061214	KMYBA4BLS7C300001	
		17	43209-BA4-0000-M1	SEAL, PISTON	2	N		20061214	KMYBA4BLS7C300001	
		18	43210-BA4-0000-M1	BRACKET, CALIPER	1	Y		20061214	KMYBA4BLS7C300001	
		19	43215-BA4-0000-M1	PIN, HANGER	2	N		20061214	KMYBA4BLS7C300001	

F-12

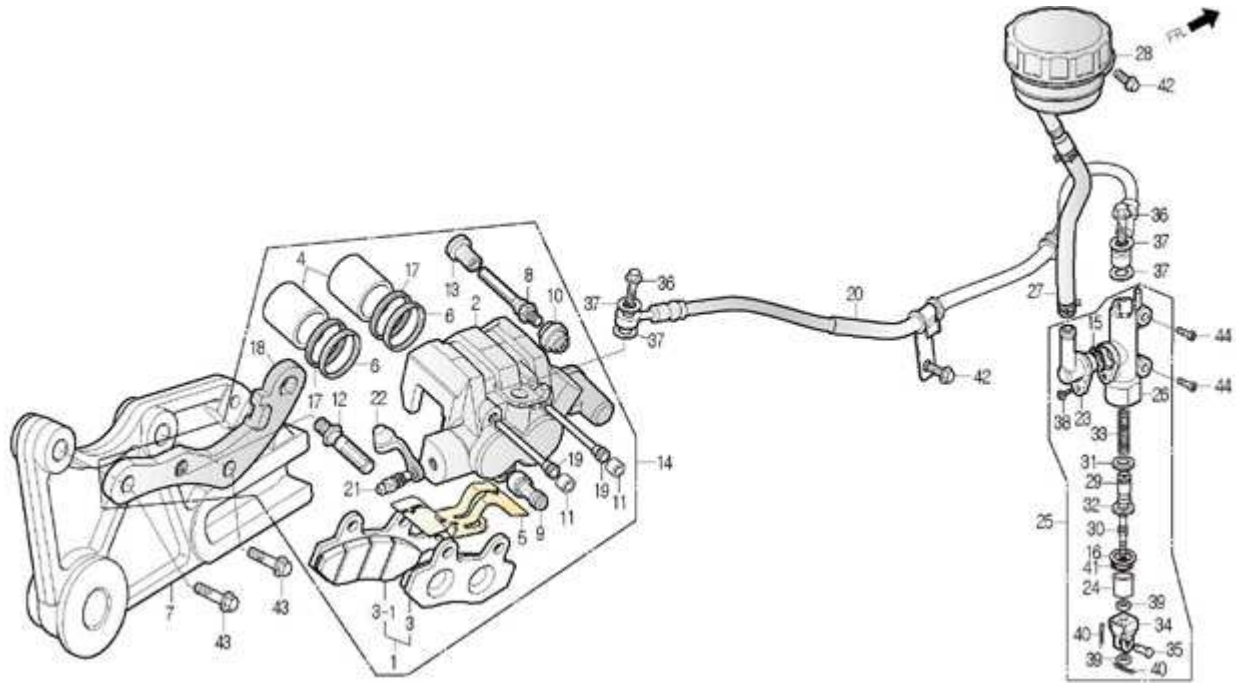
REAR BRAKE CALIPER



Service Item	FRT	Ref. No.	Part No.	Description	QTY	A/S	Exch	Start Date	Start FRM.No	End FRM.No
		20	43310-BA4-0000-M1	HOSE COMP., RR.BRAKE	1	Y		20061214	KMYBA4BLS7C300001	
		21	43352-BA4-0000-M1	BLEEDER	1	N		20061214	KMYBA4BLS7C300001	
		22	43353-BA4-0000-M1	CAP, BLEEDER	1	N		20061214	KMYBA4BLS7C300001	
		23	43503-BA4-0000-M1	PIPE, TUBE JOINT	1	N		20061214	KMYBA4BLS7C300001	
		24	43504-BA4-0000-M1	BOOT COMP.	1	N		20061214	KMYBA4BLS7C300001	
		25	43510-BA4-0000-M1	MASTER CYLINDER ASS'Y, RR.	1	Y		20061214	KMYBA4BLS7C300001	
		26	43511-BA4-0000-M1	BODY, RR.MASTER CYLINDER	1	N		20031103	KMYBA4BLS7C000001	
		27	43512-BA4-0000	HOSE COMP., RR.MASTER CYLINDER	1	Y		20061214	KMYBA4BLS7C300001	
		28	4352A-BA4-0000	RESERVOIR ASS'Y, RR.	1	Y		20061214	KMYBA4BLS7C300001	
		29	43521-BA4-0000-M1	RR.PISTON	1	N		20061214	KMYBA4BLS7C300001	
		30	43530-BA4-0000-M1	ROD COMP., RR.BRAKE	1	N		20061214	KMYBA4BLS7C300001	
		31	45502-BA4-0000-M1	CUP, SECONDARY	1	N		20061214	KMYBA4BLS7C300001	
		32	45503-BA4-0000-M1	CUP, PRIMARY	1	N		20061214	KMYBA4BLS7C300001	
		33	45508-BA4-0000-M1	SPRING	1	N		20061214	KMYBA4BLS7C300001	
		34	46504-BA4-0000-M1	JOINT, BRAKE ROD	1	N		20061214	KMYBA4BLS7C300001	
		35	46505-BA4-0000-M1	PIN C, JOINT	1	N		20061214	KMYBA4BLS7C300001	
		36	90145-BA7-9000	OIL BOLT, 10x22	2	Y		20061214	KMYBA4BLS7C300001	
		37	90545-BA6-0000	WASHER, OIL BOLT	4	Y		20061214	KMYBA4BLS7C300001	
		38	S3893-04012-18	SCREW WASHER, 4x12	1	N		20061214	KMYBA4BLS7C300001	
		39	S4002-08000-0S	NUT, HEX 8mm	2	N		20061214	KMYBA4BLS7C300001	
		40	S4201-20150	PIN, SPLIT 2.0x15	2	N		20061214	KMYBA4BLS7C300001	

F-12

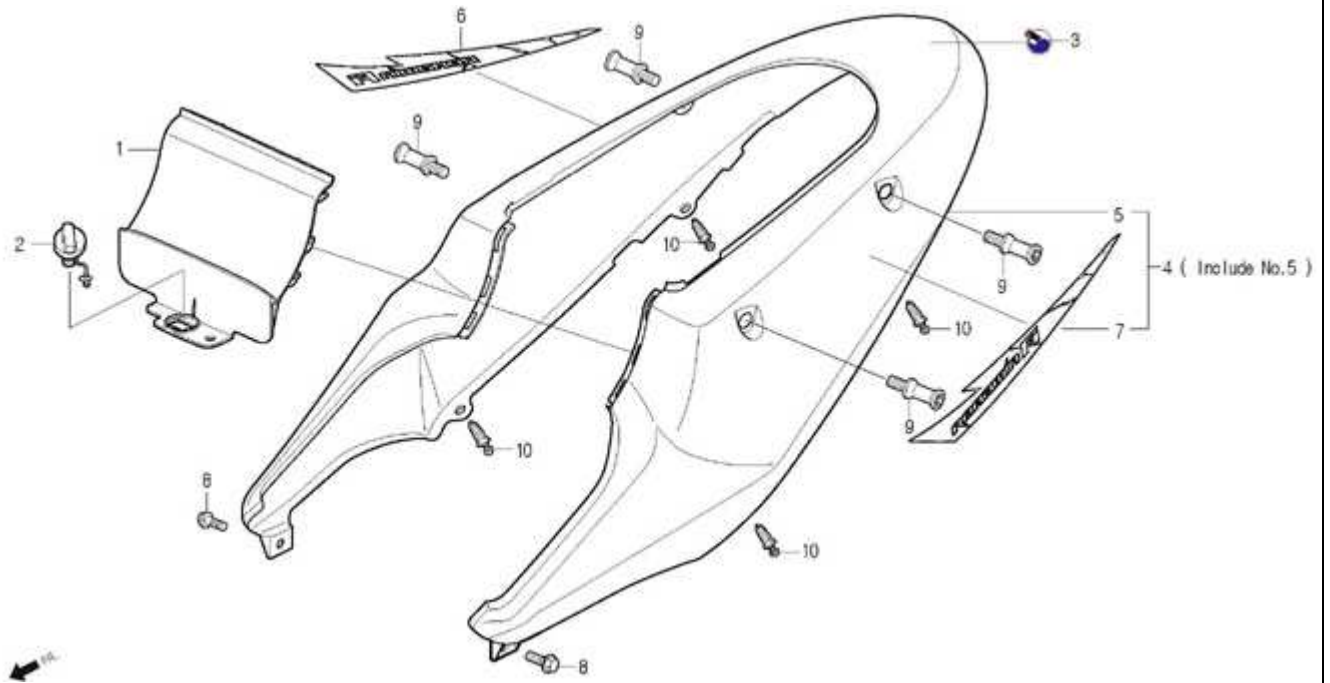
REAR BRAKE CALIPER



Service Item	FRT	Ref. No.	Part No.	Description	QTY	A/S	Exch	Start Date	Start FRM.No	End FRM.No
		41	S4520-21000	CIR CLIP, INTERNAL 21mm	1	N	Y	20061214	KMYBA4BLS7C300001	KMYBA4BLS9C302284
			43204-BA4-0000-M1	CIR CLIP, INTERNAL 21mm	1	N		20080615	KMYBA4BLS9C302285	
		42	S5701-06012-08	BOLT, FLANGE 6x12	2	N	Y	20061214	KMYBA4BLS7C300001	KMYBA4BLSAC304583
			S5701-06012-00	BOLT, FLANGE 6x12	2	Y		20100501	KMYBA4BLSAC304584	
		43	S5801-08025-00	BOLT, FLANGE 8x25	2	Y		20061214	KMYBA4BLS7C300001	
		44	S6700-06022-10	BOLT, SOCKET 6x22	2	Y		20061214	KMYBA4BLS7C300001	

F-26

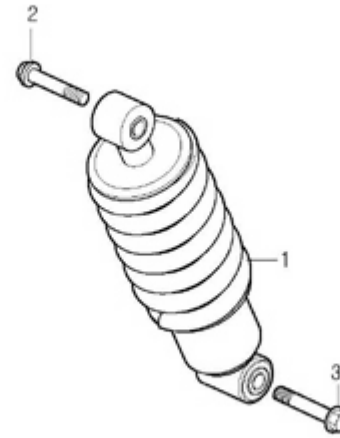
REAR COWL



Service Item	FRT	Ref. No.	Part No.	Description	QTY	A/S	Exch	Start Date	Start FRM.No	End FRM.No
COVER, CENTER COWL, RR.	0.1	1	80151-BA4-0000-BL	COVER, CENTER(S/BLUE)	1	Y		20061214	KMYBA4BLS7C300001	
	0.2		80151-BA4-0000-GB	COVER, CENTER(G/BLUE)	1	Y		20061214	KMYBA4BLS7C300001	
			80151-BA4-0000-TY	COVER,CENTER(T/GRAY)	1	Y		20061214	KMYBA4BLS7C300001	
			80151-BA4-0000-WP	COVER, CENTER(P/WHITE)	1	Y		20090501	KMYBA4BLS9C302723	
		2	80152-BA4-0000	GROMMET, COVER SETTING	1	Y		20061214	KMYBA4BLS7C300001	
		3	83136-SAB-RZ10	MARK, MADE IN KOREA	1	Y		20111004	KMYBA4BLSCC306218	
		4	8350A-BA4-R300-BL	COWL ASS'Y, REAR(S/BLUE)	1	Y		20061214	KMYBA4BLS7C300001	
			8350A-BA4-R300-GB	COWL ASS'Y, REAR(G/BLUE)	1	Y		20061214	KMYBA4BLS7C300001	
			8350A-BA4-R300-TY	COWL ASS'Y, REAR(T/GRAY)	1	Y		20061214	KMYBA4BLS7C300001	
			8350A-BA4-R300-WP	COWL ASS'Y, REAR(P/WHITE)	1	Y		20090501	KMYBA4BLS9C302723	
		5	83500-BA4-0000-BL	COWL, RR(S/BLUE)	1	Y		20061214	KMYBA4BLS7C300001	
			83500-BA4-0000-GB	COWL, RR(G/BLUE)	1	Y		20061214	KMYBA4BLS7C300001	
			83500-BA4-0000-TY	COWL, RR(T/GRAY)	1	Y		20061214	KMYBA4BLS7C300001	
			83500-BA4-0000-WP	COWL, RR(P/WHITE)	1	Y		20090501	KMYBA4BLS9C302723	
		6	87127-BA4-R300-GB	STRIPE, RH.RR.COWL(G/BLUE)	1	Y		20061214	KMYBA4BLS7C300001	
			87127-BA4-R300-MS	STRIPE, RH.RR.COWL(M/SILVER)	1	Y		20061214	KMYBA4BLS7C300001	
		7	87128-BA4-R300-GB	STRIPE, LH.RR.COWL(G/BLUE)	1	Y		20061214	KMYBA4BLS7C300001	
			87128-BA4-R300-MS	STRIPE, LH.RR.COWL(M/SILVER)	1	Y		20061214	KMYBA4BLS7C300001	
		8	90111-SE5-1000	BOLT, FLANGE 6mm	2	Y		20061214	KMYBA4BLS7C300001	
		9	90125-BA4-0000	BOLT, SPECIAL	4	Y		20061214	KMYBA4BLS7C300001	
		10	90683-SE5-0030	CLIP, BODY COVER	4	Y		20061214	KMYBA4BLS7C300001	

F-24

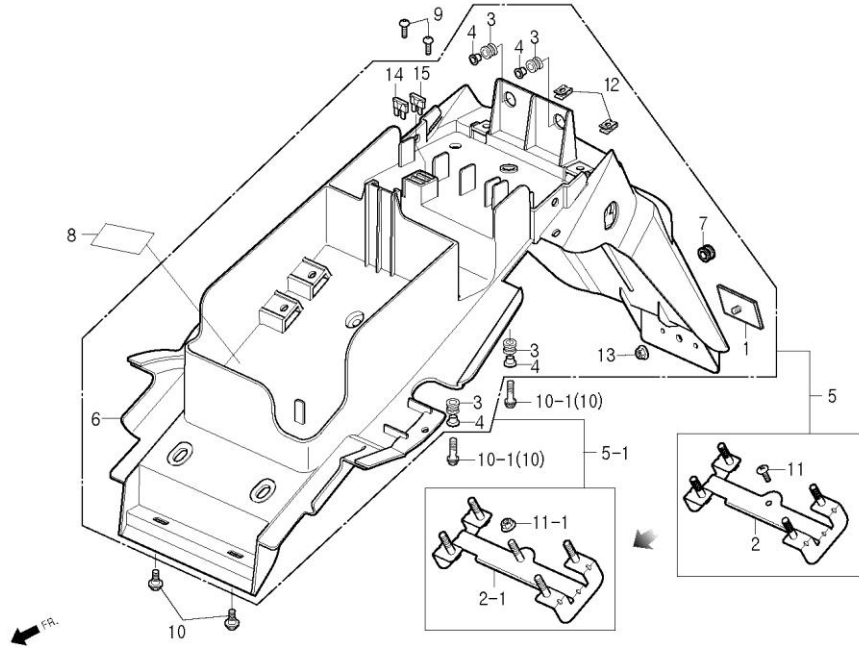
REAR CUSHION



Service Item	FRT	Ref. No.	Part No.	Description	QTY	A/S	Exch	Start Date	Start FRM.No	End FRM.No
CUSHION ASS'Y, RR.	0.2	1	52400-BA4-0000-M1	CUSHION ASS'Y, RR.(France, Spain)	1	Y		20061214	KMYBA4BLS7C300001	
			52400-BA4-RB10-M1	CUSHION ASS'Y, RR.(G/RED)	1	Y		20061214	KMYBA4BLS7C300001	
		2	90103-BA1-0000	BOLT, FLANGE 10x55	1	Y		20061214	KMYBA4BLS7C300001	
		3	90104-BA4-0000	BOLT, FLANGE 10x70	1	Y		20061214	KMYBA4BLS7C300001	

F-25

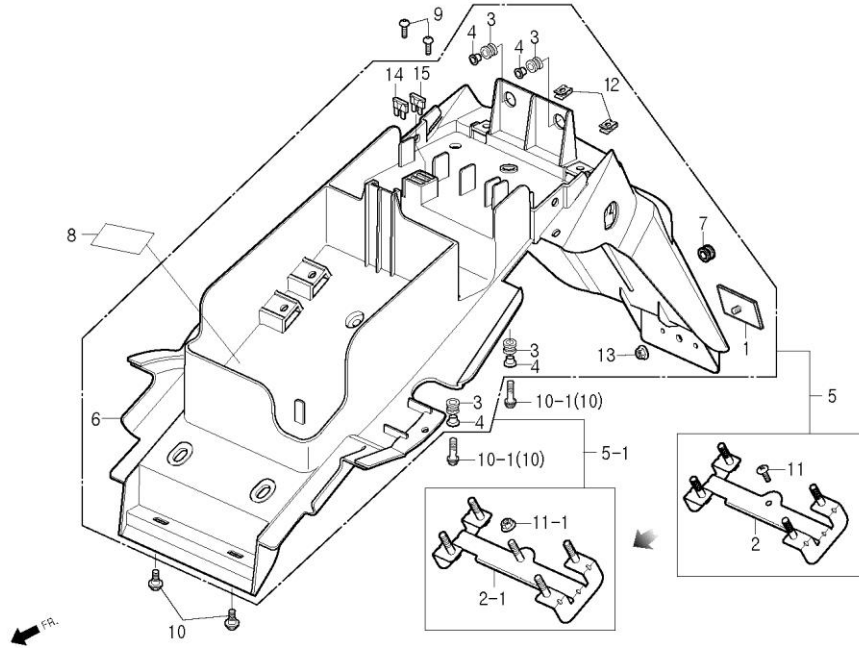
REAR FENDER



Service item	FRT	Ref No.	Part No.	Description	QTY	A/S	Exch	Start Date	End Date	Start FRM.No	End FRM.No
FENDER ASS'Y, RR. · REFLECTOR, REFLEX	0.4	1	33741-SE5-RB00-M1	REFLECTOR, REFLEX	1	N	Y	20061214	20150809	KMYBA4BLS7C300001	KMYBA4BLSGC307640
			33741-SE5-RB00-M2	REFLECTOR, RR. REFLEX	1	Y		20150810		KMYBA4BLSGC307641	
		2	50163-BA4-R300	STAY COMP., ECU	1	N	N	20061214	20090830	KMYBA4BLS7C300001	KMYBA4BLSAC303848
		2-1	50163-BA4-R310	STAY COMP., ECU	1	N		20090831		KMYBA4BLSAC303849	
		3	64212-X10-0000	RUBBER, FR.COWL MOUNT	2	N	Y	20061214	20080602	KMYBA4BLS7C300001	KMYBA4BLS9C302248
			64212-X10-0000	RUBBER, FR.COWL MOUNT	4	N		20080603		KMYBA4BLS9C302249	
		4	64213-X10-0000	COLLAR, FR.COWL SETTING	2	N	Y	20061214	20080602	KMYBA4BLS7C300001	KMYBA4BLS9C302248
			64213-X10-0000	COLLAR, FR.COWL SETTING	4	N		20080603		KMYBA4BLS9C302249	
		5	8010A-BA4-R300	FENDER ASS'Y, RR.	1	N	Y	20061214	20090830	KMYBA4BLS7C300001	KMYBA4BLSAC303848
		5-1	8010A-BA4-R310	FENDER ASS'Y, RR.	1	Y		20090831		KMYBA4BLSAC303849	
		6	80100-BA4-R300	FENDER COMP., RR.	1	N		20061214		KMYBA4BLS7C300001	
		7	80101-BA1-0000	RUBBER, LICENSE PLATE	1	Y		20061214		KMYBA4BLS7C300001	
		8	87565-BA4-R300	LABEL, ANTI TAMPERING CONTROL	1	Y		20061214		KMYBA4BLS7C300001	
		9	90110-SE5-0000	SCREW, SPECIAL, 6x14	2	Y		20061214	20080602	KMYBA4BLS7C300001	KMYBA4BLS9C302248
		10	90111-SE5-1000	BOLT, FLANGE, 6mm	4	Y		20061214	20080602	KMYBA4BLS7C300001	KMYBA4BLS9C302248
			90111-SE5-1000	BOLT, FLANGE, 6mm	2	Y		20080603		KMYBA4BLS9C302249	
		10-1	S5701-06025-08	BOLT, FLANGE, 6x25	2	N	Y	20080603	20100430	KMYBA4BLS9C302249	KMYBA4BLSAC304583
			S5701-06025-00	BOLT, FLANGE, 6x25	2	Y		20100501		KMYBA4BLSAC304584	
11	90192-SB1-0000	SCREW, SPECIAL, 5x12	1	Y	N	20061214	20090830	KMYBA4BLS7C300001	KMYBA4BLSAC303848		
11-1	S4050-05080	NUT, FLANGE, 5mm	1	Y		20090831		KMYBA4BLSAC303849			
12	90305-SE5-1000	NUT, CLIP, 6mm	2	Y		20061214		KMYBA4BLS7C300001			
13	S4050-06080	NUT, FLANGE, 6mm	1	N		20061214		KMYBA4BLS7C300001			

F-25

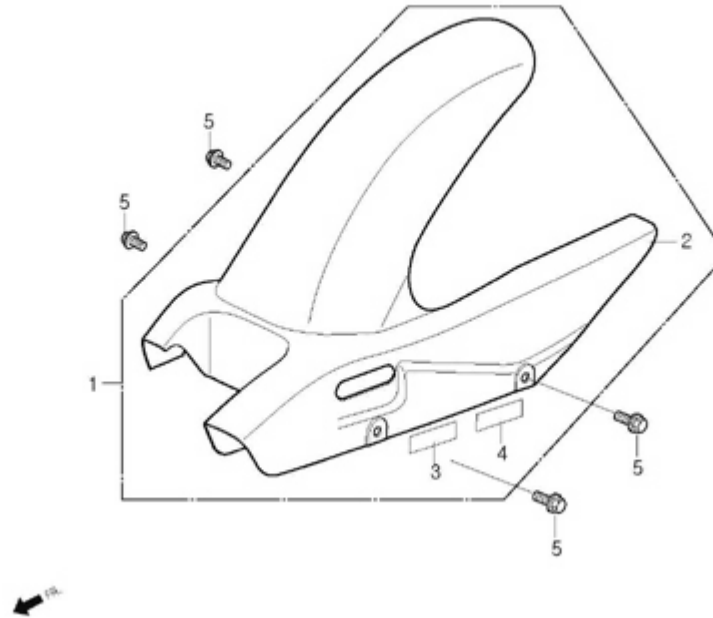
REAR FENDER



Service item	FRT	Ref No.	Part No.	Description	QTY	A/S	Exch	Start Date	End Date	Start FRM.No	End FRM.No
		14	S8200-31500	BLADE FUSE 15A	1	Y		20061214		KMYBA4BLS7C300001	
		15	S8200-33000	BLADE FUSE 30A	1	Y		20061214		KMYBA4BLS7C300001	

F-27

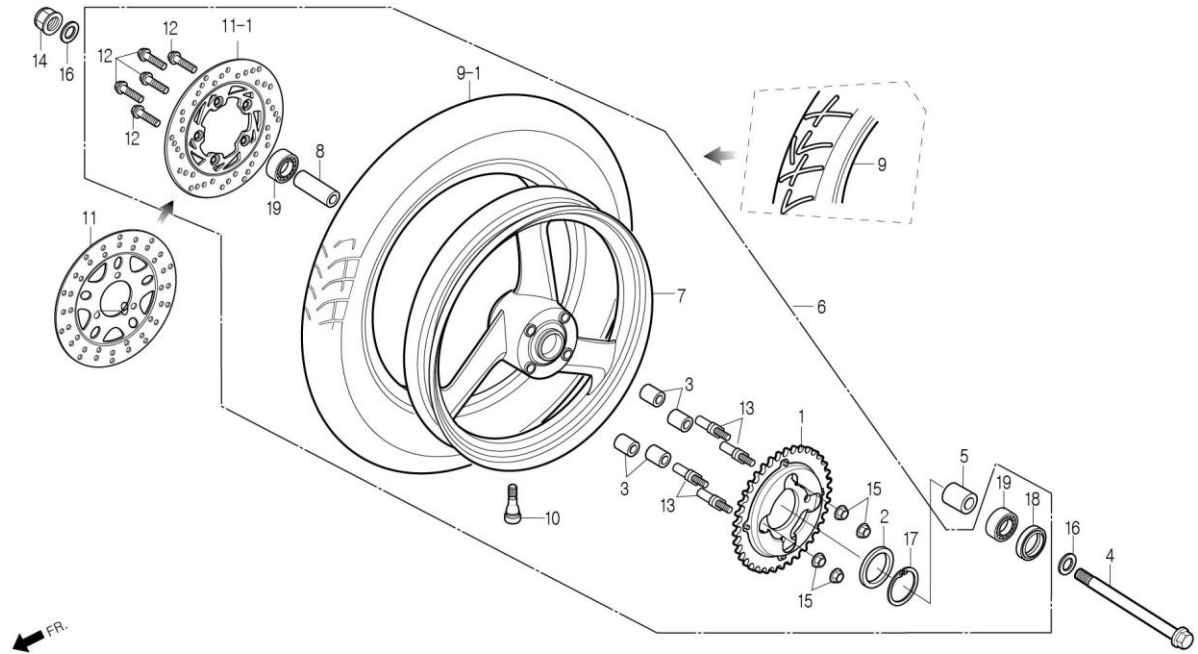
REAR WHEEL MUDGUARD



Service Item	FRT	Ref. No.	Part No.	Description	QTY	A/S	Exch	Start Date	Start FRM.No	End FRM.No
MUDGUARD, RR.WHEEL	0.1	1	6112A-BA4-RA00	MUDGUARD ASS'Y, RR.WHEEL(ENGLISH)	1	Y		20061214	KMYBA4BLS7C300001	
			6112A-BA4-RB00	MUDGUARD ASS'Y, RR.WHEEL(GERMANY)	1	Y		20061214	KMYBA4BLS7C300001	
			6112A-BA4-RC00	MUDGUARD ASS'Y, RR.WHEEL(ITALY)	1	Y		20061214	KMYBA4BLS7C300001	
			6112A-BA4-RE00	MUDGUARD ASS'Y, RR.WHEEL(FRANCE)	1	Y		20061214	KMYBA4BLS7C300001	
			6112A-BA4-RJ00	MUDGUARD ASS'Y, RR.WHEEL(SPAIN)	1	Y		20061214	KMYBA4BLS7C300001	
		2	61120-BA4-0000	MUDGUARD, RR.WHEEL	1	N		20061214	KMYBA4BLS7C300001	
		3	87505-BA4-MA00	LABEL, TIRE(ENGLISH)	1	Y		20061214	KMYBA4BLS7C300001	
			87505-BA4-RB00	LABEL, TIRE(GERMANY)	1	Y		20061214	KMYBA4BLS7C300001	
			87505-BA4-RC00	LABEL, TIRE(ITALY)	1	Y		20061214	KMYBA4BLS7C300001	
			87505-BA4-RE00	LABEL, TIRE(FRANCE)	1	Y		20061214	KMYBA4BLS7C300001	
			87505-BA4-RJ00	LABEL, TIRE(SPAIN)	1	Y		20061214	KMYBA4BLS7C300001	
		4	87507-BA4-RC00	LABEL, DRIVE CHAIN(ITALY)	1	Y		20061214	KMYBA4BLS7C300001	
			87507-BA7-RE00	LABEL, DRIVE CHAIN(FRANCE)	1	Y		20061214	KMYBA4BLS7C300001	
			87507-BA4-RJ00	LABEL, DRIVE CHAIN(SPAIN)	1	Y		20061214	KMYBA4BLS7C300001	
			87507-BA7-0000-EU	LABEL, DRIVE CHAIN(GERMANY)	1	Y		20061214	KMYBA4BLS7C300001	
			87507-BA7-9000-EX	LABEL, DRIVE CHAIN(ENGLISH)	1	Y		20061214	KMYBA4BLS7C300001	
		5	90111-CB3-1000	BOLT, FLANGE 6mm	4	Y		20061214	KMYBA4BLS7C300001	

F-16

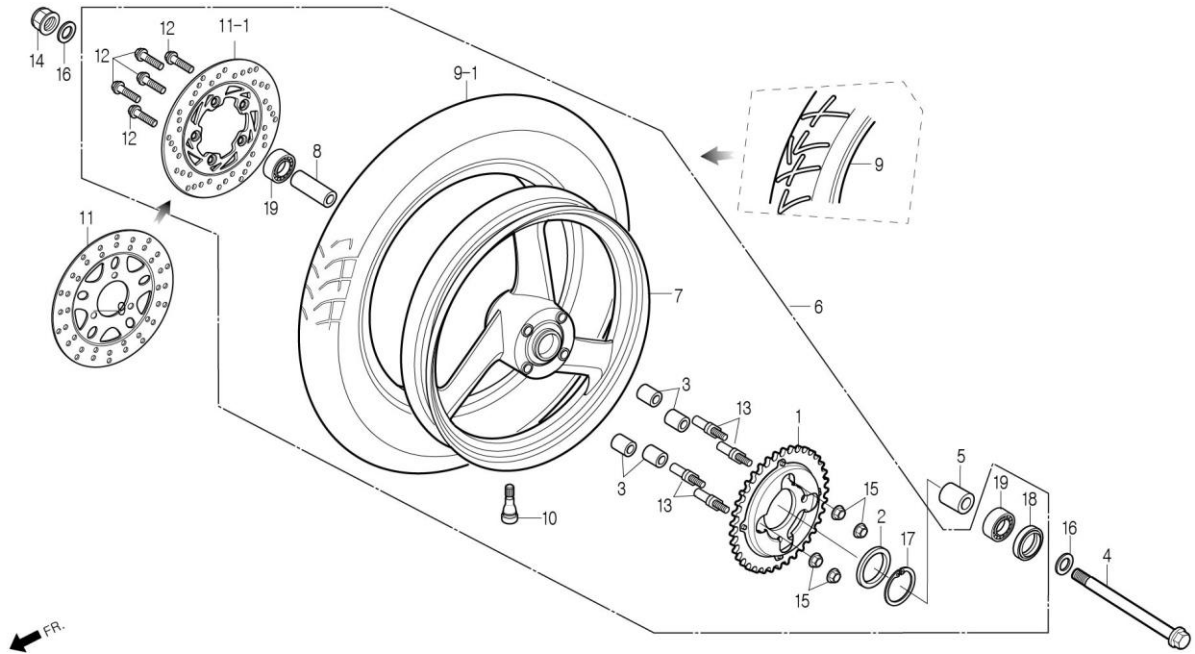
REAR WHEEL



Service item	FRT	Ref No.	Part No.	Description	QTY	A/S	Exch	Start Date	End Date	Start FRM.No	End FRM.No
SPROCKET COMP., FINAL DRIVEN	0.5	1	41200-BA4-R300	SPROCKET ASS'Y, FINAL DRIVEN 44T	1	Y		20061214		KMYBA4BLS7C300001	
		2	41202-BA5-0000	WASHER, 53mm	1	Y		20061214		KMYBA4BLS7C300001	
WHEEL COMP., RR. CASTING	2.2	3	41241-BA6-0200	BUSH, RR.WHEEL DAMPER	4	Y		20061214		KMYBA4BLS7C300001	
		4	42301-BA4-0000	AXLE, RR.WHEEL	1	Y		20061214		KMYBA4BLS7C300001	
COLLAR, RR. DISTANCE	0.6	5	42304-BA7-0000	COLLAR, RR.WHEEL SIDE	2	Y		20061214		KMYBA4BLS7C300001	
BEARING, RADIAL BALL 6302U (ADD 0.1 FOR EACH)		6	42600-BA4-R300	WHEEL ASS'Y, RR.	1	N		20061214		KMYBA4BLS7C300001	
		7	42601-BA4-0020	WHEEL COMP., RR. CASTING(OPAQUE BKACK)	1	Y	N	20061214	20080626	KMYBA4BLS7C300001	KMYBA4BLS9C302292
TIRE, RR.	0.9		42601-BA8-0000	WHEEL COMP., RR. CASTING	1	Y		20080627		KMYBA4BLS9C302293	
		8	42620-BA5-9000	COLLAR, RR. DISTANCE	1	Y		20061214		KMYBA4BLS7C300001	
DISK, FR. BRAKE	0.5	9	42711-BA4-0000-M1	TIRE, RR.	1	N	Y	20061214	20140331	KMYBA4BLS7C300001	KMYBA4BLSEC307179
		9-1	42711-BA4-0000-M2	TIRE, REAR(140/60-17 69P)	1	Y		20140401		KMYBA4BLSEC307180	
		10	42753-BA7-0000	VALVE, RIM, TR 413	1	Y		20061214		KMYBA4BLS7C300001	
		11	45121-SA2-0010-M1	DISK, BRAKE	1	Y	N	20061214	20080626	KMYBA4BLS7C300001	KMYBA4BLS9C302292
		11-1	45351-BA8-0000	DISK, RR. BRAKE	1	Y		20080627		KMYBA4BLS9C302293	
		12	90106-BA5-0000	BOLT, FR. DISK, 8x24	5	Y		20061214		KMYBA4BLS7C300001	
		13	90128-BA1-0000	BOLT, DRIVEN SPROKET FIXING	4	Y		20061214		KMYBA4BLS7C300001	
		14	90305-CB2-0030	NUT, U, 14mm	1	Y		20061214		KMYBA4BLS7C300001	
		15	90308-BA6-6700	NUT, FLANGE, 10mm	4	Y		20061214		KMYBA4BLS7C300001	
		16	90504-BA5-0000	WASHER, REAR AXLE	2	Y		20061214		KMYBA4BLS7C300001	
		17	90664-BA6-8100	CIR CLIP, EXTERNAL, 53	1	Y		20061214		KMYBA4BLS7C300001	
		18	91257-BA6-0030	SEAL, OIL, 28x42x7	1	Y		20061214		KMYBA4BLS7C300001	

F-16

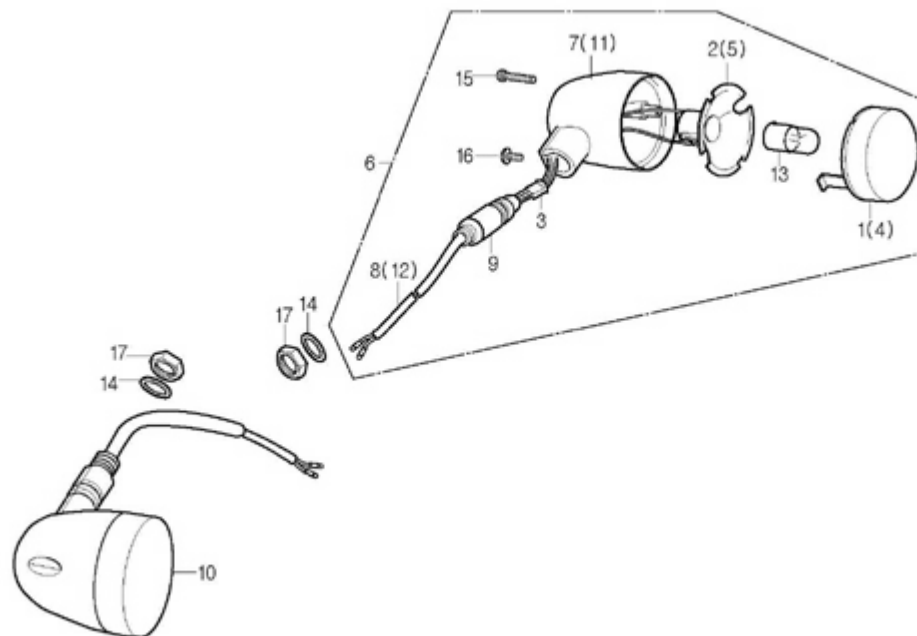
REAR WHEEL



Service item	FRT	Ref No.	Part No.	Description	QTY	A/S	Exch	Start Date	End Date	Start FRM.No	End FRM.No
		19	S6140-63020-10	BEARING, RADIAL BALL 6302(U)	2	Y		20061214		KMYBA4BLS7C300001	

F-29

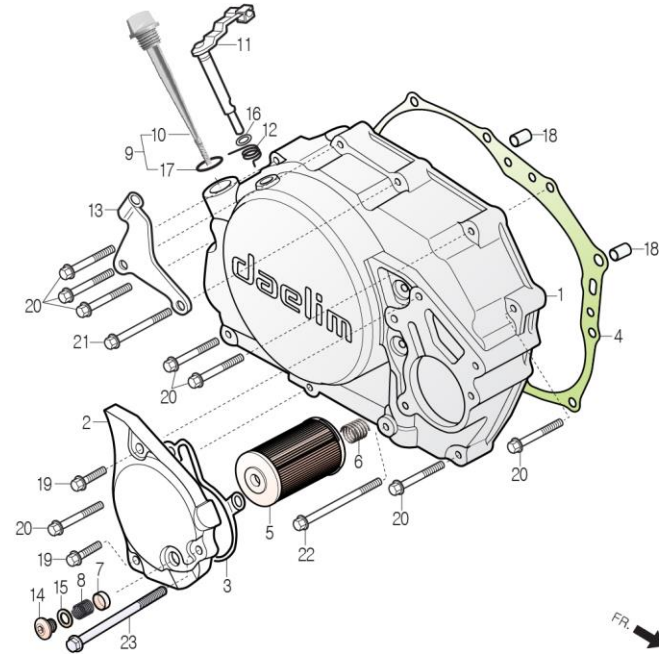
REAR WINKER



Service Item	FRT	Ref. No.	Part No.	Description	QTY	A/S	Exch	Start Date	Start FRM.No	End FRM.No
WINKER ASS'Y, RR. ·LENS, WINKER ·REFLECTOR, WINKER ·STAY COMP., RR.WINKER	0.2	1	33402-SA2-RB10	LENS, A.WINKER	1	N		20061214	KMYBA4BLS7C300001	
		2	33403-SA2-RB00	REFLECTOR, A.WINKER	1	N		20061214	KMYBA4BLS7C300001	
		3	33445-SA2-0000	INNER STAY B, WINKER	2	N		20061214	KMYBA4BLS7C300001	
		4	33452-SA2-RB10	LENS, B.WINKER	1	N		20061214	KMYBA4BLS7C300001	
		5	33453-SA2-RB00	REFLECTOR, B.WINKER	1	N		20061214	KMYBA4BLS7C300001	
BULB, WINKER	0.1	6	33600-BA4-RB00	WINKER ASS'Y, RH.RR.	1	Y		20061214	KMYBA4BLS7C300001	
		7	33601-BA1-0020	BASE, RH.RR.WINKER	1	N		20061214	KMYBA4BLS7C300001	
		8	33610-BA4-0000	CORD COMP., RH.RR.WINKER	1	N		20061214	KMYBA4BLS7C300001	
		9	33640-BA4-RB00	STAY COMP., RR.WINKER	2	N		20061214	KMYBA4BLS7C300001	
		10	33650-BA4-RB00	WINKER ASS'Y, LH.RR.	1	Y		20061214	KMYBA4BLS7C300001	
		11	33651-BA1-0020	BASE, LH.RR.WINKER	1	N		20061214	KMYBA4BLS7C300001	
		12	33660-BA4-0000	CORD COMP., LH.RR.WINKER	1	N		20061214	KMYBA4BLS7C300001	
		13	34905-SA2-RB00	BULB, WINKER(12V 10W)	2	Y		20061214	KMYBA4BLS7C300001	
		14	90505-BA6-6700	WASHER, 13x20	2	Y		20061214	KMYBA4BLS7C300001	
		15	S3901-34610	SCREW, TAPPING 4x25	2	N		20061214	KMYBA4BLS7C300001	
		16	S3903-24210	SCREW, TAPPING 4x10	2	N		20061214	KMYBA4BLS7C300001	
		17	S4001-12200-0S	NUT, HEX 12mm	2	Y		20061214	KMYBA4BLS7C300001	

E-05

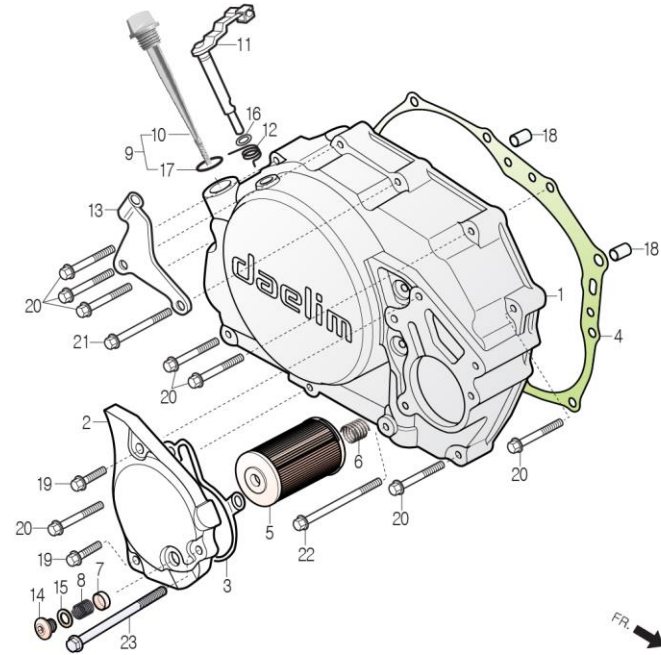
RIGHT CRANK CASE COVER



Service item	FRT	Ref No.	Part No.	Description	QTY	A/S	Exch	Start Date	End Date	Start FRM.No	End FRM.No
COVER COMP., RH.CRANK CASE	0.9	1	11330-BA4-0010	COVER COMP., RH.CRANK CASE(OPAQUE SILVER)	1	Y		20061214		KMYBA4BLS7C300001	
		2	11333-BA4-0010	COVER COMP., OIL FILTER(OPAQUE SILVER)	1	Y		20061214		KMYBA4BLS7C300001	
COVER COMP., OIL FILTER	0.2	3	11335-BA6-9600	SEAL, OIL FILTER	1	Y		20061214		KMYBA4BLS7C300001	
· ELEMENT, OIL FILTER		4	11393-BA7-0000-EU	GASKET, RH.COVER	1	Y		20061214		KMYBA4BLS7C300001	
		5	15412-BA1-0000	ELEMENT, OIL FILTER	1	Y		20061214		KMYBA4BLS7C300001	
GASKET, RH.COVER	0.6	6	15414-BA6-9600	SPRING, OIL FILTER	1	Y		20061214		KMYBA4BLS7C300001	
LEVER COMP., CLUTCH	0.7	7	15415-BA6-9610	VALVE, RELIEF	1	Y		20061214		KMYBA4BLS7C300001	
(INCLUDE RELATIVE PARTS)		8	15416-BA6-9600	SPRING, RELIEF VALVE	1	Y		20061214		KMYBA4BLS7C300001	
		9	1565A-BA6-9100	GAUGE ASS'Y, OIL LEVEL	1	N	Y	20061214	20070206	KMYBA4BLS7C300001	KMYBA4BLS7C300734
			1565A-BA6-9110	GUAGE ASS'Y, OIL LEVEL	1	Y		20070207		KMYBA4BLS7C300735	
		10	15650-BA6-9100	GAUGE, OIL FILTER	1	N		20061214		KMYBA4BLS7C300001	
		11	22810-BA7-9000	LEVER COMP., CLUTCH	1	Y		20061214		KMYBA4BLS7C300001	
		12	22815-BA6-7000	SPRING, CLUTCH LEVER	1	Y		20061214		KMYBA4BLS7C300001	
		13	22838-BA7-9000	HOLDER, CLUTCH WIRE	1	Y		20061214		KMYBA4BLS7C300001	
		14	90009-BA7-9000	BOLT, SOCKET, 10mm	1	Y		20061214		KMYBA4BLS7C300001	
		15	90443-BA6-0000	WASHER, SEALING, 10mm	1	Y		20061214		KMYBA4BLS7C300001	
		16	91303-BA6-1000	O-RING, 9mm	1	Y		20061214		KMYBA4BLS7C300001	
		17	91307-CB2-0000	O-RING, 18x3	1	N	Y	20061214	20070206	KMYBA4BLS7C300001	KMYBA4BLS7C300734
			91307-CB2-0010	O-RING, 18x3	1	N		20070207		KMYBA4BLS7C300735	
		18	S4301-08120	PIN, DOWEL, 8x12	2	Y		20061214		KMYBA4BLS7C300001	
		19	S6001-06020-00	BOLT, FLANGE, SH.6x20	2	Y		20061214		KMYBA4BLS7C300001	

E-05

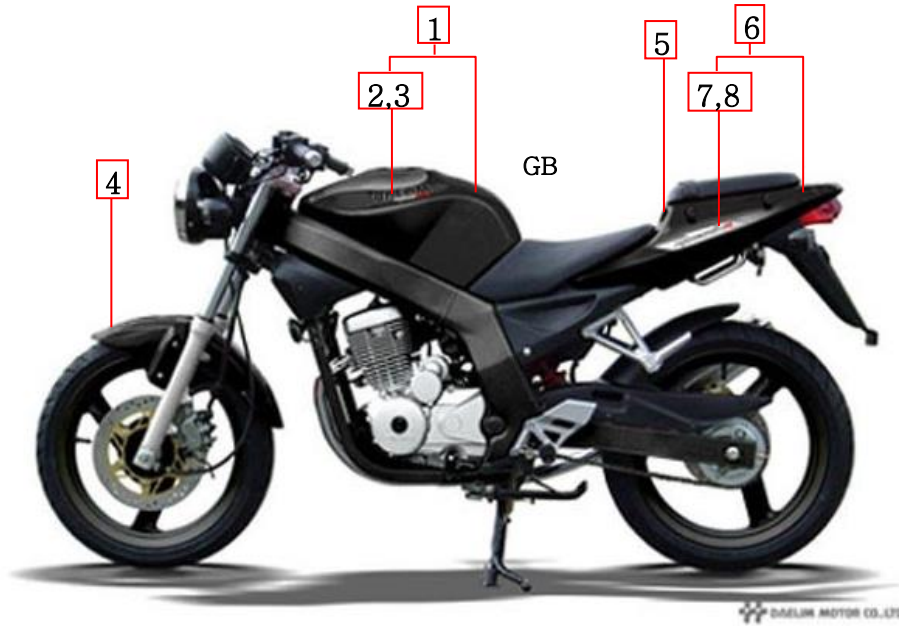
RIGHT CRANK CASE COVER



Service item	FRT	Ref No.	Part No.	Description	QTY	A/S	Exch	Start Date	End Date	Start FRM.No	End FRM.No
		20	S6001-06040-00	BOLT, FLANGE, SH.6x40	8	Y		20061214		KMYBA4BLS7C300001	
		21	S6001-06055-00	BOLT, FLANGE, SH.6x55	1	Y		20061214		KMYBA4BLS7C300001	
		22	S6001-06065-00	BOLT, FLANGE, SH.6x65	1	Y		20061214		KMYBA4BLS7C300001	
		23	S6001-06095-00	BOLT, FLANGE, SH.6x95	1	Y		20061214		KMYBA4BLS7C300001	

COLOR & STRIPE SET

BA4C-RZ01_ROADWIN FL_VJ125FL_EU3_2007~2009



WP



BL



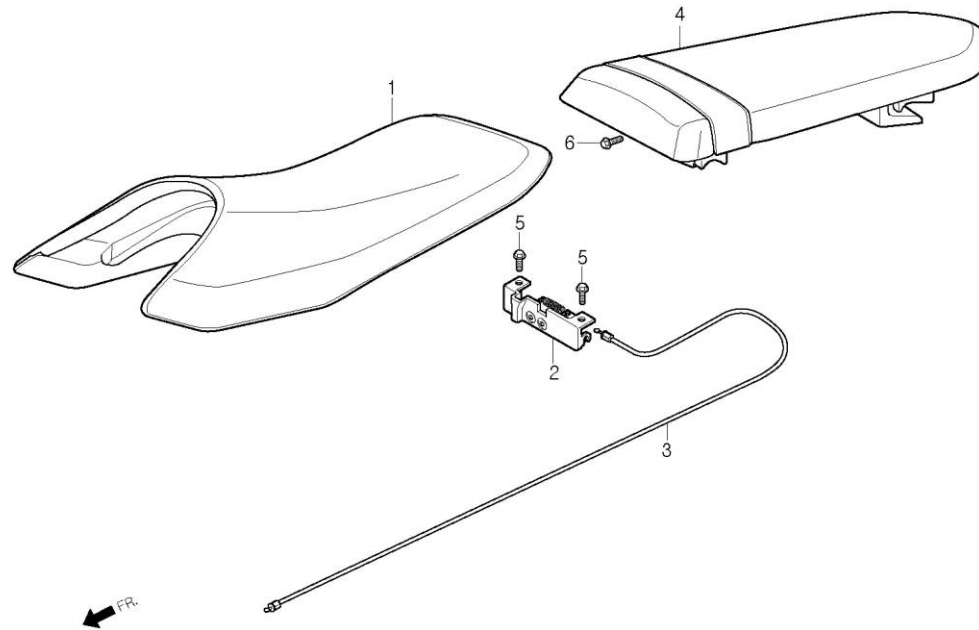
TY



NO	PART NAME	Q'TY	BL(SEA BLUE MET)	TY(TITANIUM GRAY)	GB(GRANITE BLUE)	WP(PEARL WHITE)
1	COVER ASS'Y, TANK	1	1752A-BA4-RZ00-BL	1752A-BA4-RZ00-TY	1752A-BA4-RZ00-GB	1752A-BA4-RZ00-WP
2	STRIPE, FUEL TANK	2	87125-BA4-RZ00-BL	87125-BA4-RZ00-BL	87125-BA4-RZ00-BL	87125-BA4-RZ00-WP
3	MARK, DRIVE CAUTION	1	87560-BA7-9000-EX	87560-BA7-9000-EX	87560-BA7-9000-EX	87560-BA7-9000-EX
4	FENDER, FR.	1	61100-BA4-0000-BL	61100-BA4-0000-TY	61100-BA4-0000-GB	61100-BA4-0000-WP
5	COVER, CENTER	1	80151-BA4-0000-BL	80151-BA4-0000-TY	80151-BA4-0000-GB	80151-BA4-0000-WP
6	COWL ASS'Y, REAR	1	8350A-BA4-R300-BL	8350A-BA4-R300-TY	8350A-BA4-R300-GB	8350A-BA4-R300-WP
7	STRIPE, RH. RR. COWL	1	87127-BA4-R300-MS	87127-BA4-R300-MS	87127-BA4-R300-GB	87127-BA4-R300-MS
8	STRIPE, LH. RR. COWL	1	87128-BA4-R300-MS	87128-BA4-R300-MS	87128-BA4-R300-GB	87128-BA4-R300-MS

F-14

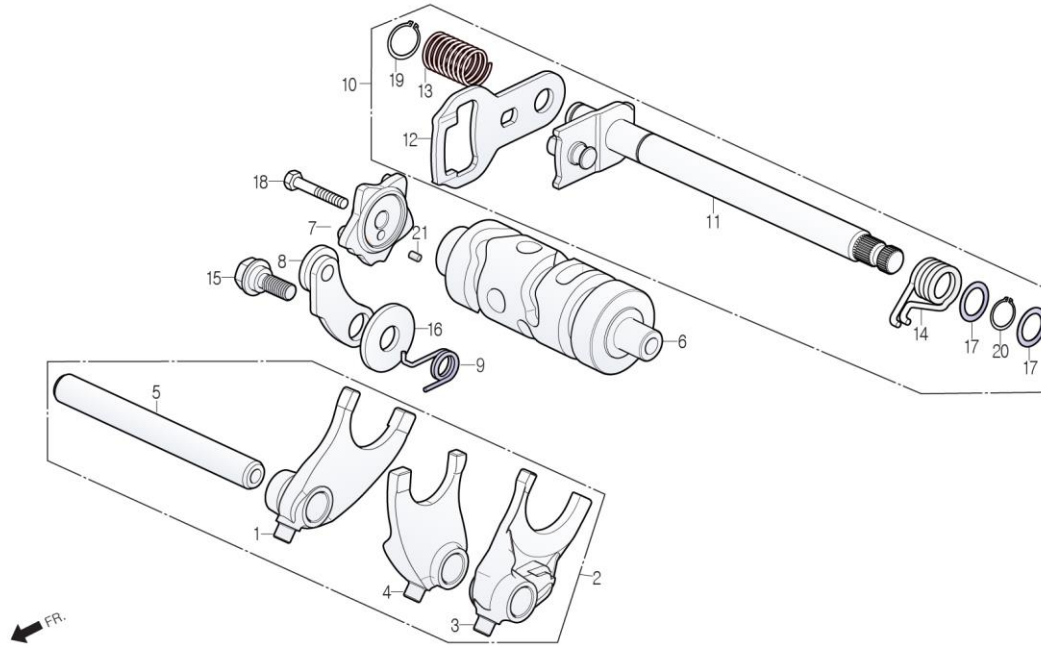
SEAT



Service item	FRT	Ref No.	Part No.	Description	QTY	A/S	Exch	Start Date	End Date	Start FRM.No	End FRM.No
SEAT ASS'Y, MAIN		1	77200-BA4-0000	SEAT ASS'Y, MAIN	1	Y		20061214		KMYBA4BLS7C300001	
SEAT ASS'Y, PILLION	0.1	2	77235-SA1-0110	CATCH COMP., SEAT	1	Y		20061214		KMYBA4BLS7C300001	
		3	77240-BA4-0000-M1	CABLE, SEAT LOCK	1	Y		20061214		KMYBA4BLS7C300001	
		4	77300-BA4-0000	SEAT ASS'Y, PILLION	1	Y		20061214		KMYBA4BLS7C300001	
CATCH COMP., SEAT	0.2	5	90103-BA5-0000	SCREW, TORUS, 6x12	2	Y		20061214		KMYBA4BLS7C300001	
CABLE, SEAT LOCK	0.3										
		6	S5701-06016-08	BOLT, FLANGE, 6x16	1	N	Y	20061214	20100430	KMYBA4BLS7C300001	KMYBA4BLSAC304583
			S5701-06016-00	BOLT, FLANGE, 6x16	1	Y		20100501		KMYBA4BLSAC304584	

E-14

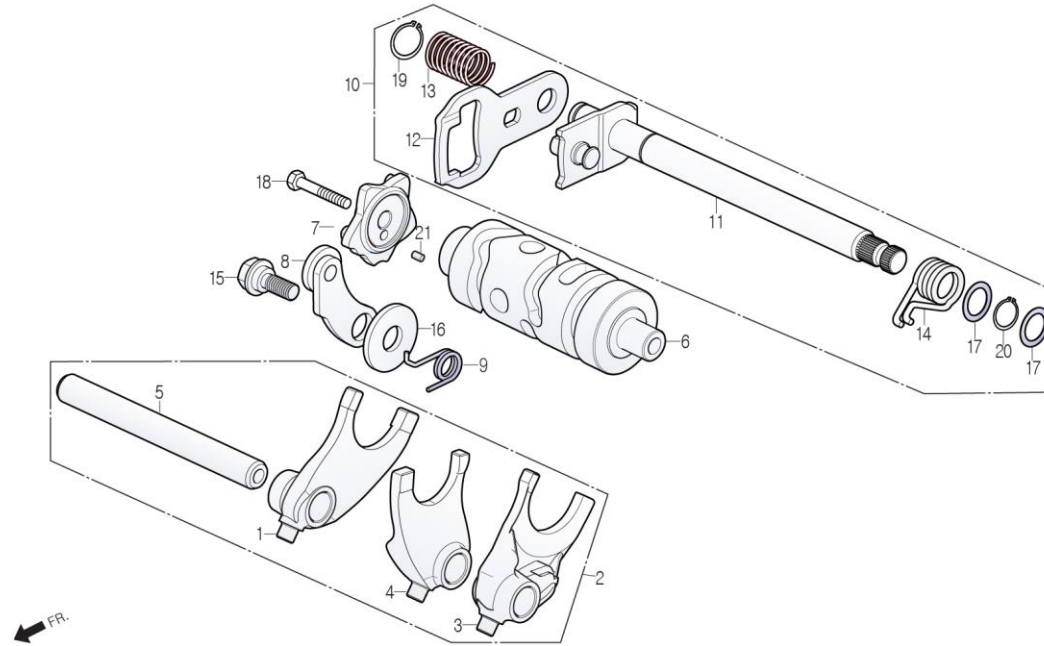
SHIFT DRUM / SHIFT FORK



Service item	FRT	Ref No.	Part No.	Description	QTY	A/S	Exch	Start Date	End Date	Start FRM.No	End FRM.No
SPINDLE ASS'Y, GEAR SHIFT CAM	1.0	1	24211-BA6-0000	FORK, RH.GEAR SHIFT	1	Y		20061214		KMYBA4BLS7C300001	
CAM, GEAR SHIFT	0.9	2	2422A-BA6-9600	FORK ASS'Y, GEAR SHIFT	1	N	Y	20061214	20120930	KMYBA4BLS7C300001	KMYBA4BLSDC306743
			2422A-BZ1-0000	FORK ASS'Y, GEAR SHIFT	1	Y		20121001		KMYBA4BLSDC306744	
STOPPER COMP., GEAR SHIFT DRUM	0.9	3	24221-BA6-9600	FORK, LH.GEAR SHIFT	1	N	Y	20061214	20120930	KMYBA4BLS7C300001	KMYBA4BLSDC306743
			24221-BZ1-0000	FORK, LH.GEAR SHIFT	1	Y		20121001		KMYBA4BLSDC306744	
DRUM, GEAR SHIFT	*4.2	4	24231-BA6-0100	FORK, CENTER GEAR SHIFT	1	N		20061214		KMYBA4BLS7C300001	
		5	24241-BA6-9600	SHAFT, GEAR SHIFT FORK GUIDE	1	N		20061214		KMYBA4BLS7C300001	
FORK, GEAR SHIFT	*4.2	6	24301-BA6-9600	DRUM, GEAR SHIFT	1	Y		20061214		KMYBA4BLS7C300001	
		7	24411-BA6-0000	CAM, GEAR SHIFT	1	Y		20061214		KMYBA4BLS7C300001	
		8	24430-BA6-9000	STOPPER COMP., GEAR SHIFT DRUM	1	Y		20061214		KMYBA4BLS7C300001	
		9	24435-BA7-8900	SPRING, SHIFT DRUM STOPPER	1	Y		20061214		KMYBA4BLS7C300001	
		10	2461A-BA6-7600	SPINDLE ASS'Y, GEAR SHIFT	1	Y		20061214		KMYBA4BLS7C300001	
		11	24610-BA6-7600	SPINDLE COMP., GEAR SHIFT	1	N		20061214		KMYBA4BLS7C300001	
		12	24621-BA6-7600	PLATE, GEAR SHIFT	1	N		20061214		KMYBA4BLS7C300001	
		13	24631-BA6-0000	SPRING, GEAR SHIFT PLATE	1	N		20061214		KMYBA4BLS7C300001	
		14	24651-BA6-0000	SPRING, GEAR SHIFT RETURN	1	N		20061214		KMYBA4BLS7C300001	
		15	90023-BA6-9000	PIVOT, GEAR SHIFT DRUM STOPPER	1	Y		20061214		KMYBA4BLS7C300001	
		16	90408-BA6-9000	WASHER, 6mm	1	Y		20061214		KMYBA4BLS7C300001	
		17	90451-CB2-0000	WASHER, THRUST, 14mm	2	N		20061214		KMYBA4BLS7C300001	
		18	S2101-06025-0H	BOLT, HEX, 6x25	1	N	Y	20061214	20100430	KMYBA4BLS7C300001	KMYBA4BLSAC304583
			S2101-06025-0A	BOLT, HEX, 6x25	1	Y		20100501		KMYBA4BLSAC304584	

E-14

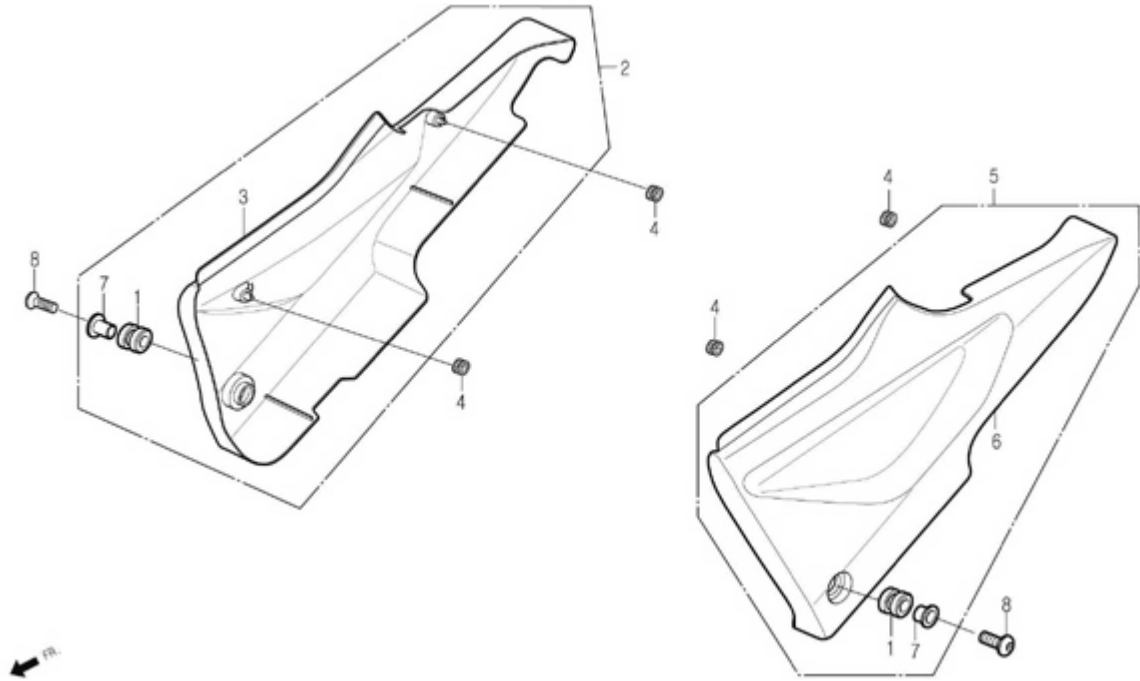
SHIFT DRUM / SHIFT FORK



Service item	FRT	Ref No.	Part No.	Description	QTY	A/S	Exch	Start Date	End Date	Start FRM.No	End FRM.No
		19	S4510-12000	CIR CLIP, EXTERNAL, 12mm	1	N		20061214		KMYBA4BLS7C300001	
		20	S4510-14000	CIR CLIP, EXTERNAL, 14mm	1	N		20061214		KMYBA4BLS7C300001	
		21	S6220-40100	ROLLER, 4x10	1	Y		20061214		KMYBA4BLS7C300001	

F-15

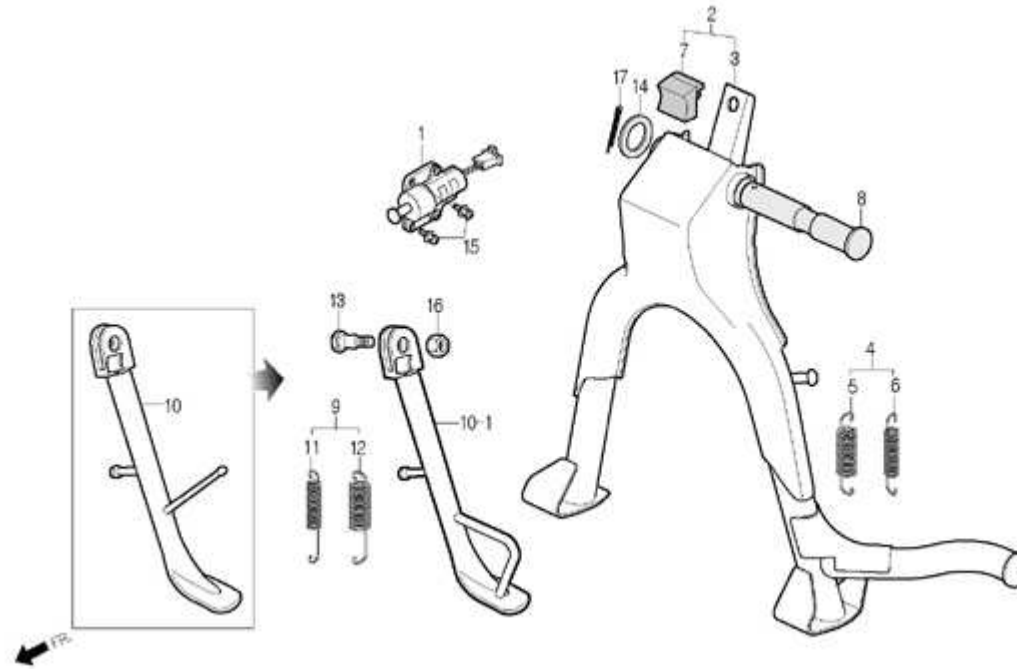
SIDE COVER



Service Item	FRT	Ref. No.	Part No.	Description	QTY	A/S	Exch	Start Date	Start FRM.No	End FRM.No
COVER, SIDE	0.1	1	80101-BA5-0000	RUBBER, RR.FENDER CUSHION	2	Y		20061214	KMYBA4BLS7C300001	
		2	8354A-BA4-0000	COVER ASS'Y, RH.SIDE	1	Y		20061214	KMYBA4BLS7C300001	
		3	83540-BA4-0000	COVER, RH.SIDE	1	N		20061214	KMYBA4BLS7C300001	
		4	83551-BA6-0000	GROMMET, SIDE COVER	4	Y		20061214	KMYBA4BLS7C300001	
		5	8364A-BA4-0000	COVER ASS'Y, LH.SIDE	1	Y		20061214	KMYBA4BLS7C300001	
		6	83640-BA4-0000	COVER, LH.SIDE	1	N		20061214	KMYBA4BLS7C300001	
		7	90001-BA5-0000	COLLAR, SIDE MOUNT	2	N		20061214	KMYBA4BLS7C300001	
		8	90107-BA5-9100	BOLT, SPECIAL 6x22	2	Y		20061214	KMYBA4BLS7C300001	

F-22

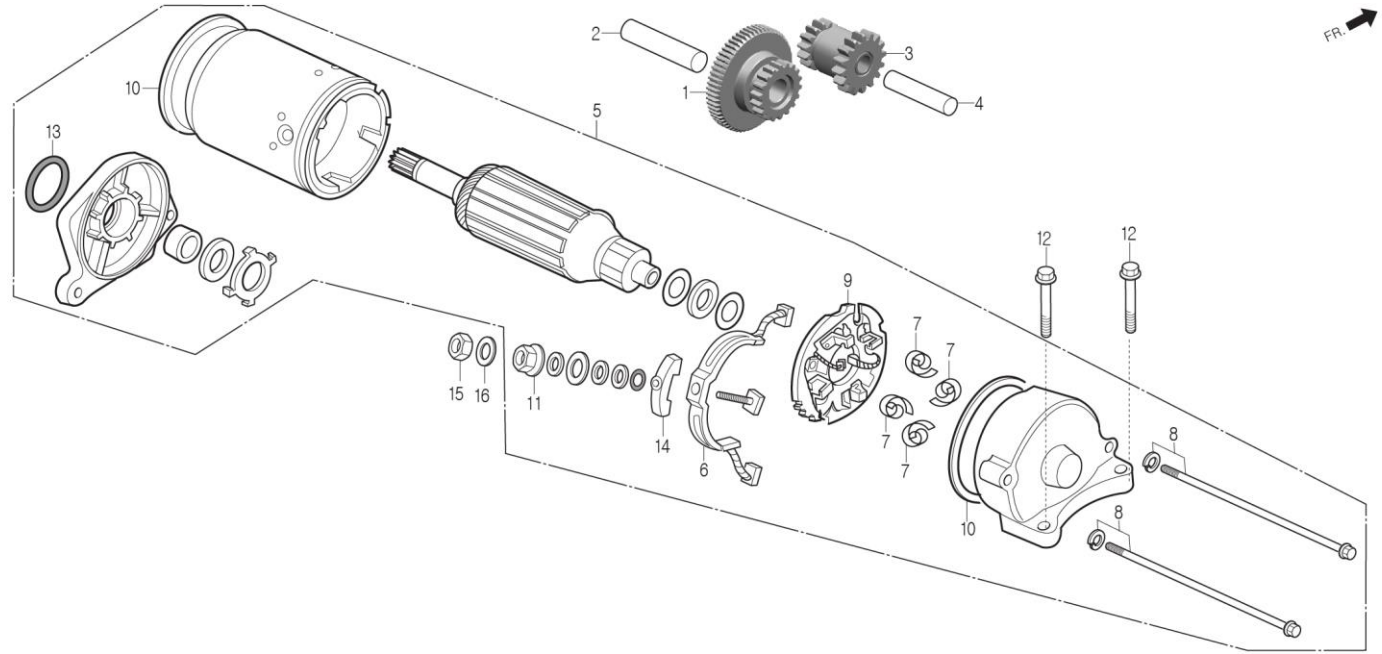
STAND



Service Item	FRT	Ref. No.	Part No.	Description	QTY	A/S	Exch	Start Date	Start FRM.No	End FRM.No
SWITCH ASS'Y, SIDE STAND	0.2	1	35700-CB3-0000-M2	SWITCH ASS'Y, SIDE STAND(AOLI)	1	Y		20061214	KMYBA4BLS7C300001	
STAND ASS'Y, MAIN	0.5	2	5050A-BA4-0000	STAND ASS'Y, MAIN	1	Y		20061214	KMYBA4BLS7C300001	
·SPRING SET, MAIN STAND	0.2	3	50500-BA4-0000	STAND COMP., MAIN	1	N		20061214	KMYBA4BLS7C300001	
STAND COMP., SIDE		4	5051A-BA7-0000-EU	SPRING SET, MAIN STAND	1	Y		20061214	KMYBA4BLS7C300001	
·SPRING SET, SIDE STAND		5	50510-BA7-0000-EU	SPRING, MAIN STAND OUTER	1	N		20061214	KMYBA4BLS7C300001	
		6	50511-BA7-0000-EU	SPRING, MAIN STAND INNER	1	N		20061214	KMYBA4BLS7C300001	
		7	50524-BA6-0000	RUBBER, STAND STOPPER	1	Y		20061214	KMYBA4BLS7C300001	
		8	50526-BA6-9600	SHAFT, MAIN STAND PIVOT	1	Y		20061214	KMYBA4BLS7C300001	
		9	5053A-SE1-RB00	SPRING SET, SIDE STAND	1	Y		20061214	KMYBA4BLS7C300001	
		10	50530-BA4-0000	STAND COMP., SIDE	1	N	Y	20061214	KMYBA4BLS7C300001	KMYBA4BLS9C302372
		10-1	50530-BA4-1000	BAR COMP., SIDE STAND	1	Y		20081010	KMYBA4BLS9C302373	
		11	50532-SE1-RB00	SPRING, SIDE STAND INNER	1	N		20061214	KMYBA4BLS7C300001	
		12	50533-SE1-RB00	SPRING, SIDE STAND OUTER	1	N		20061214	KMYBA4BLS7C300001	
		13	90108-BA6-0000	SCREW, SIDE STAND PIVOT	1	Y		20061214	KMYBA4BLS7C300001	
		14	90521-CB2-0000	WASHER, 17x22	1	Y		20061214	KMYBA4BLS7C300001	
		15	S3892-05016-08	SCREW, WASHER, 5x16	2	N	Y	20061214	KMYBA4BLS7C300001	KMYBA4BLSAC304583
			S3892-05016-00	SCREW, WASHER, 5x16	2	Y		20100501	KMYBA4BLSAC304584	
		16	S4030-10080	NUT, HEX, 10mm	1	Y		20061214	KMYBA4BLS7C300001	
		17	S4201-30250	PIN, SPLIT, 2.7x25	1	N	Y	20061214	KMYBA4BLS7C300001	KMYBA4BLSEC306890
			S4201-30300	PIN, SPLIT, 2.7x30	1	Y		20130601	KMYBA4BLSEC306891	

E-10

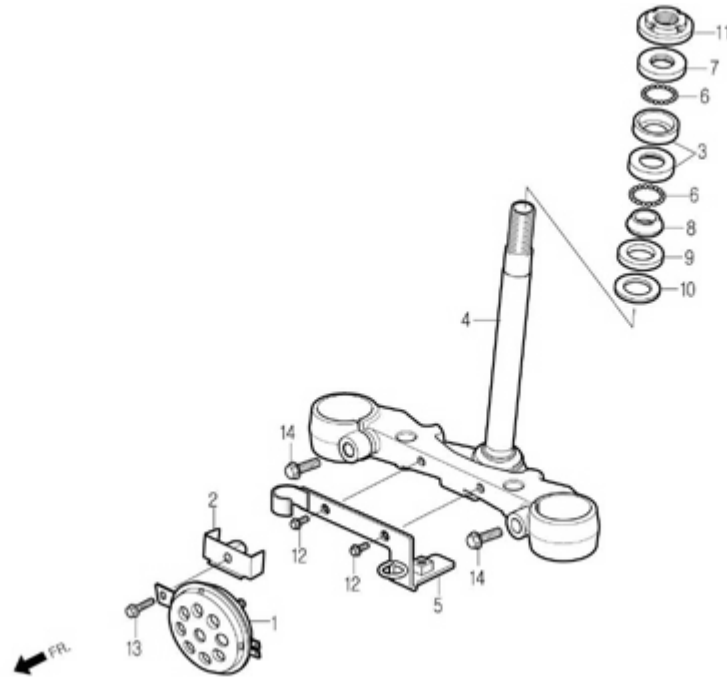
STARTER MOTOR



Service item	FRT	Ref No.	Part No.	Description	QTY	A/S	Exch	Start Date	End Date	Start FRM.No	End FRM.No
GEAR COMP., REDUCTION · MOTOR ASS'Y, STARTER	0.3	1	28130-BA6-9600	GEAR COMP., REDUCTION	1	Y		20061214		KMYBA4BLS7C300001	
		2	28132-BA6-9300	SHAFT, REDUCTION GEAR	1	Y		20061214		KMYBA4BLS7C300001	
		3	28140-BA6-9600	GEAR COMP., IDLE	1	Y		20061214		KMYBA4BLS7C300001	
GEAR COMP., IDLE	0.7	4	28142-BA6-9000	SHAFT, IDLE GEAR	1	Y		20061214		KMYBA4BLS7C300001	
BRUSH, TERMINAL SETTING · HOLDER SET, BRUSH	0.6	5	31200-BA4-0010	MOTOR ASS'Y, START(OPAQUE SILVER)	1	Y		20061214		KMYBA4BLS7C300001	
		6	31201-BA7-0000	BRUSH, TERMINAL SETTING	1	N		20061214		KMYBA4BLS7C300001	
		7	31204-BA6-0000	SPRING, CARBON BRUSH	4	N		20061214		KMYBA4BLS7C300001	
		8	31205-BA7-0000	BOLT, SETTING	2	N		20061214		KMYBA4BLS7C300001	
		9	31206-BA7-0000	HOLDER SET, BRUSH	1	N		20061214		KMYBA4BLS7C300001	
		10	31207-CB2-7110-M1	RING, SEAL	2	N		20061214		KMYBA4BLS7C300001	
		11	90071-BA6-0000	NUT, WASHER, 6mm	1	N		20061214		KMYBA4BLS7C300001	
		12	90117-BA6-0000	BOLT, FLANGE, 6x28	2	Y		20061214		KMYBA4BLS7C300001	
		13	91309-BA6-0030	O-RING, 24.4x3.1	1	Y		20061214		KMYBA4BLS7C300001	
		14	91320-BA6-0000	O-RING	1	N		20061214		KMYBA4BLS7C300001	
15	S4002-06080-0S	NUT, HEX, 6mm(Y)	1	Y		20061214		KMYBA4BLS7C300001			
16	S4101-06800	WASHER, PLAIN, 6mm	1	Y		20061214		KMYBA4BLS7C300001			

F-06

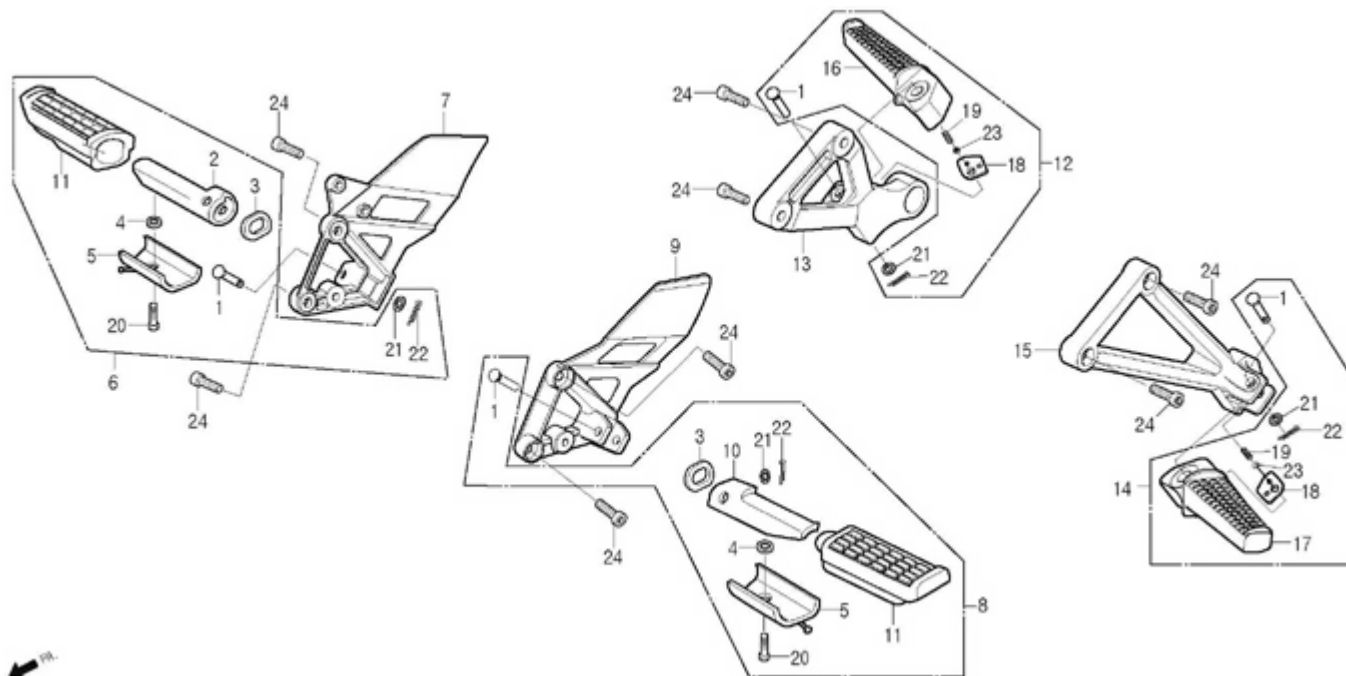
STEERING STEM / HORN



Service Item	FRT	Ref. No.	Part No.	Description	QTY	A/S	Exch	Start Date	Start FRM.No	End FRM.No
HORN COMP.	0.1	1	38110-BA4-0000	HORN COMP.	1	Y		20061214	KMYBA4BLS7C300001	
STAY, FR.BRACKET HOSE	0.1	2	38115-BA4-0000	STAY COMP., HORN SETTING	1	Y		20061214	KMYBA4BLS7C300001	
RACE, STEERING BALL	0.9	3	50301-CB2-0100	RACE, STEERING BALL	2	Y		20061214	KMYBA4BLS7C300001	
.RACE, STEERING BOTTOM CONE	1.2	4	53200-BA4-0000-M1	STEM COMP., STEERING(SANYE)	1	Y		20061214	KMYBA4BLS7C300001	
STEM COMP., STEERING	0.5	5	53206-BA4-0000	STAY, FR.BRAKE HOSE	1	Y		20061214	KMYBA4BLS7C300001	
RACE, STEERING TOP CONE		6	53210-BA6-9600	BALL ASS'Y, STEERING STEEL	2	Y		20061214	KMYBA4BLS7C300001	
.THREAD COMP.,STEERING HEAD TOP		7	53211-CB2-0100	RACE, STEERING TOP CONE	1	Y		20061214	KMYBA4BLS7C300001	
		8	53212-BA6-0100	RACE, STEERING BOTTOM CONE	1	Y		20061214	KMYBA4BLS7C300001	
		9	53214-CB2-0100	DUST SEAL, STEERING HEAD	1	Y		20061214	KMYBA4BLS7C300001	
		10	53215-CB2-0000	WASHER, STEERING HEAD DUST-SEAL	1	Y		20061214	KMYBA4BLS7C300001	
		11	53220-BA6-0000	THREAD COMP., STEERING HEAD TOP	1	Y		20061214	KMYBA4BLS7C300001	
		12	S5701-06012-07	BOLT, FLANGE 6x12	2	Y		20061214	KMYBA4BLS7C300001	
		13	S5701-06040-00	BOLT, FLANGE 6x40	1	Y		20061214	KMYBA4BLS7C300001	
		14	S5801-08035-08	BOLT, FLANGE 8x35	2	N	Y	20061214	KMYBA4BLS7C300001	KMYBA4BLSAC304583
			S5801-08035-00	BOLT, FLANGE 8x35	2	Y		20100501	KMYBA4BLSAC304584	

F-21

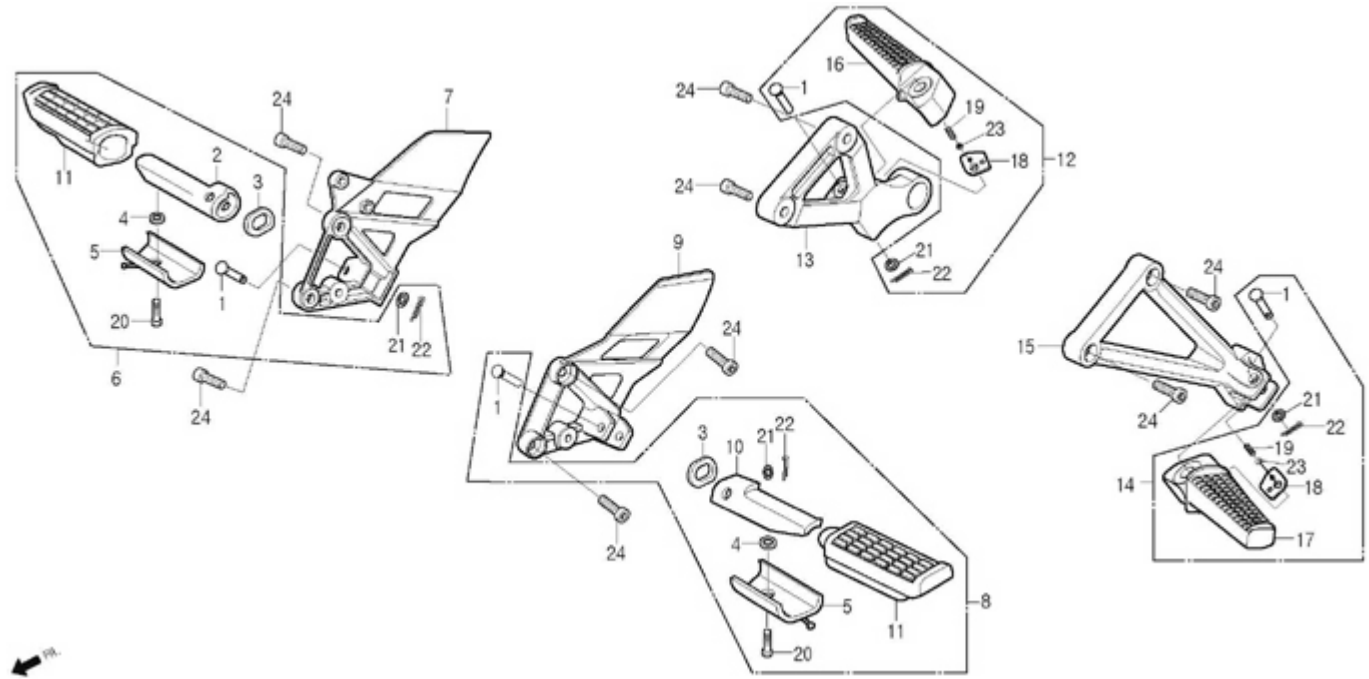
STEP



Service Item	FRT	Ref. No.	Part No.	Description	QTY	A/S	Exch	Start Date	Start FRM.No	End FRM.No
BAR ASS'Y, MAIN STEP	0.1	1	50603-BA4-0000	PIN, MAIN STEP BAR JOINT	4	N		20061214	KMYBA4BLS7C300001	
·HOLDER, MAIN STEP		2	50612-BA6-0000	BAR, RH.MAIN STEP	1	N		20061214	KMYBA4BLS7C300001	
·RUBBER, MAIN STEP		3	50614-BA6-0000	PLATE, MAIN STEP SIDE	2	N		20061214	KMYBA4BLS7C300001	
		4	50618-BA6-0000	COLLAR, 6.5x11x3	2	N		20061214	KMYBA4BLS7C300001	
BAR ASS'Y, PILLION STEP	0.1	5	50619-BA4-0000	PLATE, MAIN STEP LOWER	2	N		20061214	KMYBA4BLS7C300001	
·HOLDER, PILLION STEP		6	5063A-BA4-0000	BAR ASS'Y, RH.MAIN STEP	1	Y		20061214	KMYBA4BLS7C300001	
·BAR, PILLION STEP		7	50630-BA4-0000	HOLDER, RH.MAIN STEP	1	Y		20061214	KMYBA4BLS7C300001	
		8	5064A-BA4-0000	BAR ASS'Y, LH.MAIN STEP	1	Y		20061214	KMYBA4BLS7C300001	
		9	50640-BA4-0000	HOLDER, LH.MAIN STEP	1	Y		20061214	KMYBA4BLS7C300001	
		10	50643-BA6-0000	BAR, LH.MAIN STEP	1	N		20061214	KMYBA4BLS7C300001	
		11	50661-BA6-0000	RUBBER, MAIN STEP	2	N		20061214	KMYBA4BLS7C300001	
		12	5071A-BA4-0000	BAR ASS'Y, RH.PILLION STEP	1	Y		20061214	KMYBA4BLS7C300001	
		13	50710-BA4-0000	HOLDER, RH.PILLION STEP	1	Y		20061214	KMYBA4BLS7C300001	
		14	5072A-BA4-0000	BAR ASS'Y, LH.PILLION STEP	1	Y		20061214	KMYBA4BLS7C300001	
		15	50720-BA4-0000	HOLDER, LH.PILLION STEP	1	Y		20061214	KMYBA4BLS7C300001	
		16	50812-SE1-0000	BAR, RH.PILLION STEP	1	N		20061214	KMYBA4BLS7C300001	
		17	50813-SE1-0000	BAR, LH.PILLION STEP	1	N		20061214	KMYBA4BLS7C300001	
		18	50814-BA4-0000	PLATE, PILLION STEP	2	N		20061214	KMYBA4BLS7C300001	
		19	50815-SE1-0000	SPRING, PILLION STEP	2	N		20061214	KMYBA4BLS7C300001	
		20	S2201-06012-0A	BOLT, HEX 6x12	2	N		20061214	KMYBA4BLS7C300001	
		21	S4102-08000	WASHER, PLAIN 8mm	4	N		20061214	KMYBA4BLS7C300001	

F-21

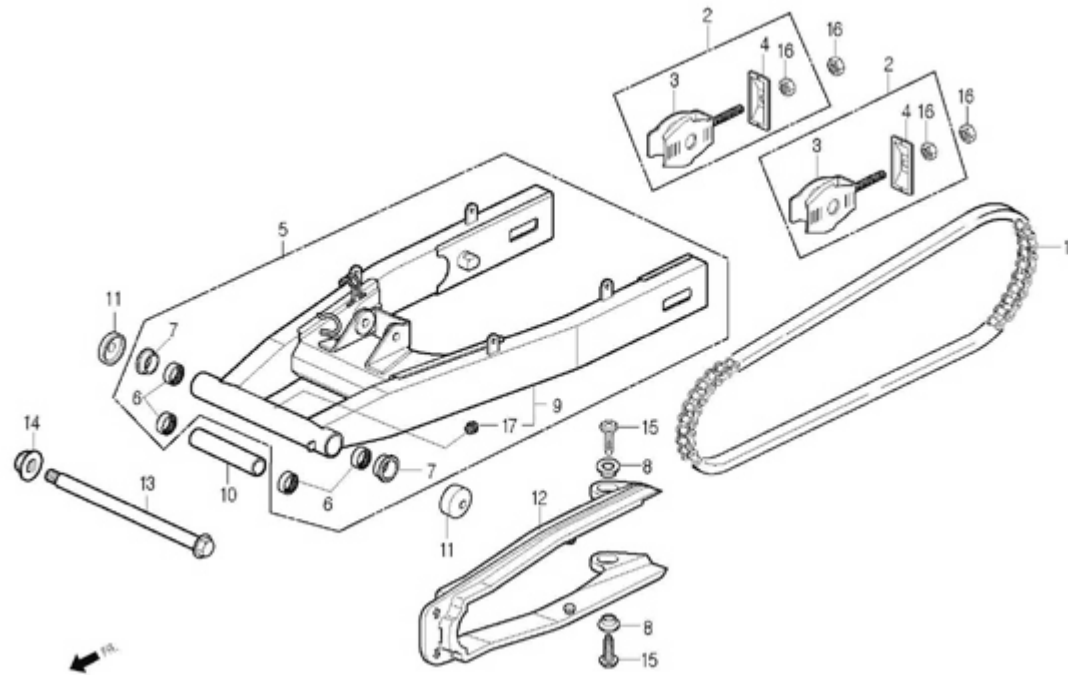
STEP



Service Item	FRT	Ref. No.	Part No.	Description	QTY	A/S	Exch	Start Date	Start FRM.No	End FRM.No
		22	S4201-16150	PIN, SPLIT 1.6x15	4	N		20061214	KMYBA4BLS7C300001	
		23	S6211-08000	BALL, STEEL #8	2	N		20061214	KMYBA4BLS7C300001	
		24	S6700-08025-00	BOLT, SOCKET 8x25	8	Y		20061214	KMYBA4BLS7C300001	

F-23

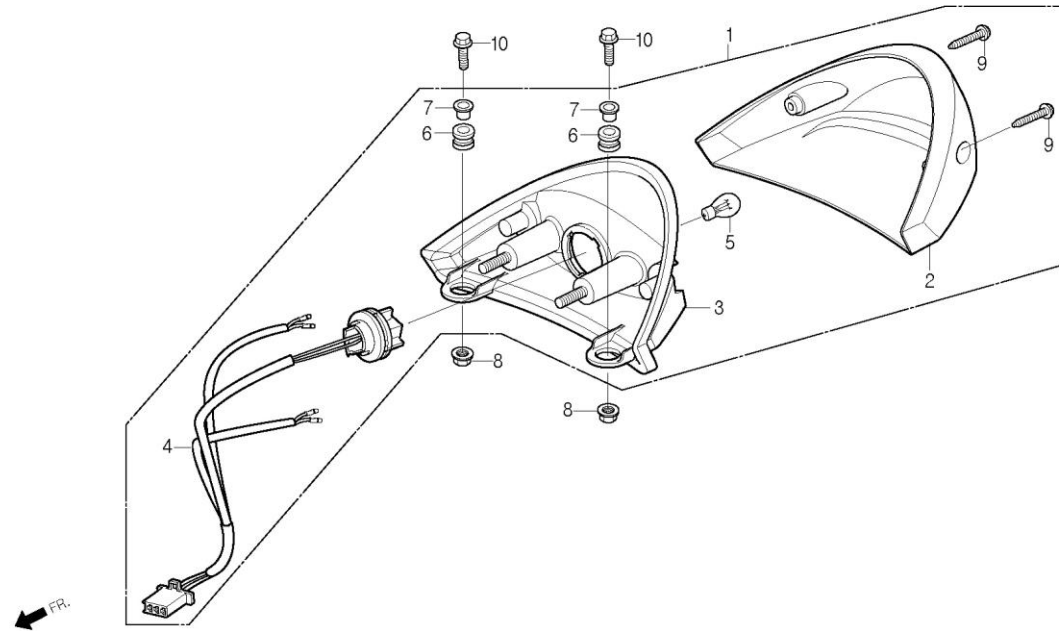
SWING ARM



Service Item	FRT	Ref. No.	Part No.	Description	QTY	A/S	Exch	Start Date	Start FRM.No	End FRM.No
O-RING CHAIN ASS'Y	0.4	1	40530-BA4-0000-M2	O-RING CHAIN ASS'Y 428HOx130L	1	Y		20061214	KMYBA4BLS7C300001	
SWING ARM ASS'Y, RR.	0.8	2	4054A-BA4-0000	ADJUSTER ASS'Y, CHAIN	2	Y		20061214	KMYBA4BLS7C300001	
·BUSH, RR.FORK	0.9	3	40543-BA4-0000	ADJUSTER, CHAIN	2	N		20061214	KMYBA4BLS7C300001	
·COLLAR, PIVOT DISTANCE CENTER		4	40546-BA4-0000	CAP, RR.FORK END	2	N		20061214	KMYBA4BLS7C300001	
		5	52100-BA4-RB10	SWINGARM ASS'Y, RR.(OPAQUE BLACK)	1	Y		20061214	KMYBA4BLS7C300001	
SLIDER, CHAIN	0.3	6	52107-BA5-RB00	BEARING, RR.FORK PIVOT	4	Y		20061214	KMYBA4BLS7C300001	
		7	52108-BA5-RB00	BUSH, RR.FORK	2	Y		20061214	KMYBA4BLS7C300001	
		8	52108-BA5-9000	COLLAR, CHAIN SLIDER	2	Y		20061214	KMYBA4BLS7C300001	
		9	52110-BA4-RB10	SWING ARM COMP., RR.(OPAQUE BLACK)	1	N		20061214	KMYBA4BLS7C300001	
		10	52141-BA5-9000	COLLAR, PIVOT DISTANCE CENTER	1	Y		20061214	KMYBA4BLS7C300001	
		11	52144-BA6-0050	CAP, RR.FORK DUST SEAL	2	Y		20061214	KMYBA4BLS7C300001	
		12	52170-BA4-0000	SLIDER, CHAIN	1	Y		20061214	KMYBA4BLS7C300001	
		13	90121-BA4-0000	BOLT, SWING ARM PIVOT	1	Y		20061214	KMYBA4BLS7C300001	
		14	90305-CB2-0030	NUT, U 14mm	1	Y		20061214	KMYBA4BLS7C300001	
		15	S3901-26180	SCREW, TAPPING 6x12	2	Y		20061214	KMYBA4BLS7C300001	
		16	S4001-08080-0S	NUT, HEX 8mm	4	Y		20061214	KMYBA4BLS7C300001	
		17	S6201-10000	NIPPLE, GREASE, A.T6	1	N		20061214	KMYBA4BLS7C300001	

F-30

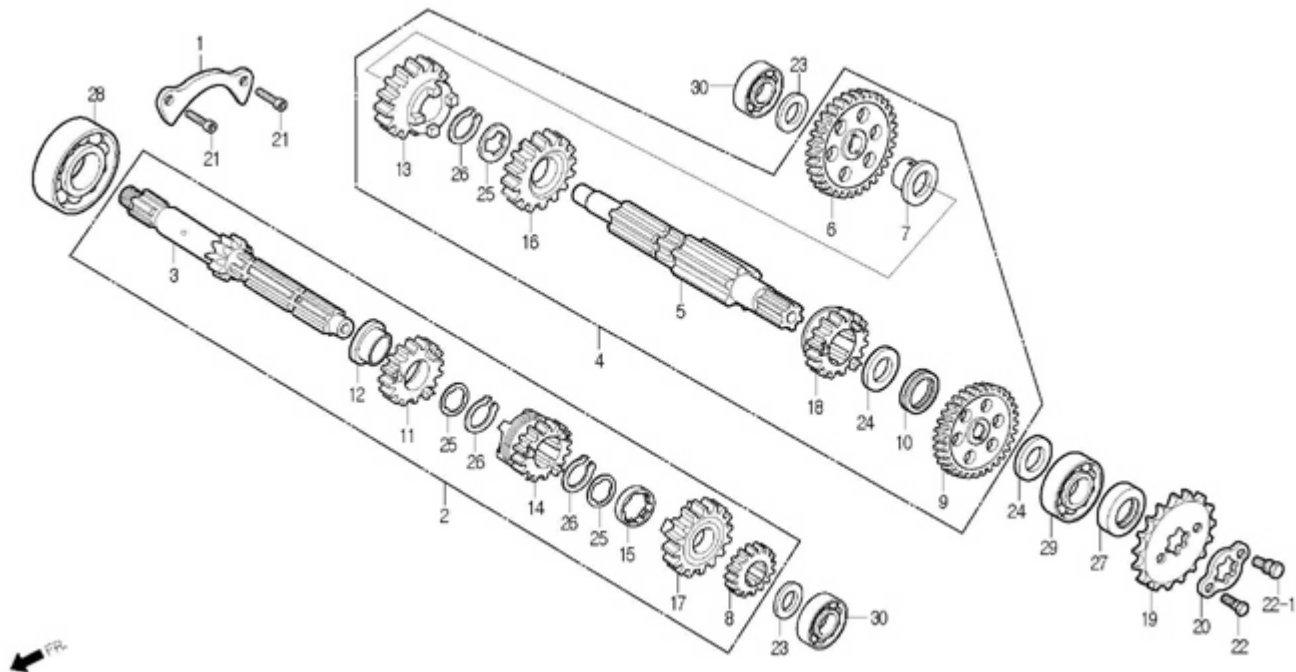
TAIL LIGHT



Service item	FRT	Ref No.	Part No.	Description	QTY	A/S	Exch	Start Date	End Date	Start FRM.No	End FRM.No
LIGHT ASS'Y, TAIL	0.3	1	33700-BA4-0000-M1	LIGHT ASS'Y, TAIL	1	Y	Y	20061214	20070514	KMYBA4BLS7C300001	KMYBA4BLS7C301135
· LENS, TAIL LIGHT	0.1		33700-BA4-0010-M1	LIGHT ASS'Y, TAIL	1	N	Y	20070515	20070819	KMYBA4BLS7C301136	KMYBA4BLS8C301290
· SOCKET COMP., TAIL LIGHT			33700-BA4-0000-M1	LIGHT ASS'Y, TAIL	1	N	Y	20070820		KMYBA4BLS8C301291	
· BASE, TAIL LIGHT	0.3		33700-BA4-0000-M2	LIGHT ASS'Y, TAIL	1	Y					
BULB, TAIL & STOP	0.1	2	33701-BA4-0000	LENS, TAIL LIGHT	1	Y		20061214		KMYBA4BLS7C300001	
		3	33702-BA4-0000	BASE, TAIL LIGHT	1	N		20061214		KMYBA4BLS7C300001	
		4	33703-BA4-0000	SOCKET COMP., TAIL LIGHT	1	N		20061214		KMYBA4BLS7C300001	
		5	34906-BA7-RB00	BULB, TAIL & STOP(12V 21W/5W)	1	Y		20061214		KMYBA4BLS7C300001	
		6	64212-X10-0000	RUBBER, FR.COWL MOUNT	2	N		20061214		KMYBA4BLS7C300001	
		7	64213-X10-0000	COLLAR, FR.COWL SETTING	2	N		20061214		KMYBA4BLS7C300001	
		8	90302-SE5-0000	NUT, FLANGE, 6mm	2	Y		20061214		KMYBA4BLS7C300001	
		9	S3901-24580	SCREW, TAPPING, 4x20	2	N		20061214		KMYBA4BLS7C300001	
		10	S5701-06025-08	BOLT, FLANGE, 6x25	2	N	Y	20061214	20100430	KMYBA4BLS7C300001	KMYBA4BLSAC304583
			S5701-06025-00	BOLT, FLANGE, 6x25	2	Y		20100501		KMYBA4BLSAC304584	

E-13

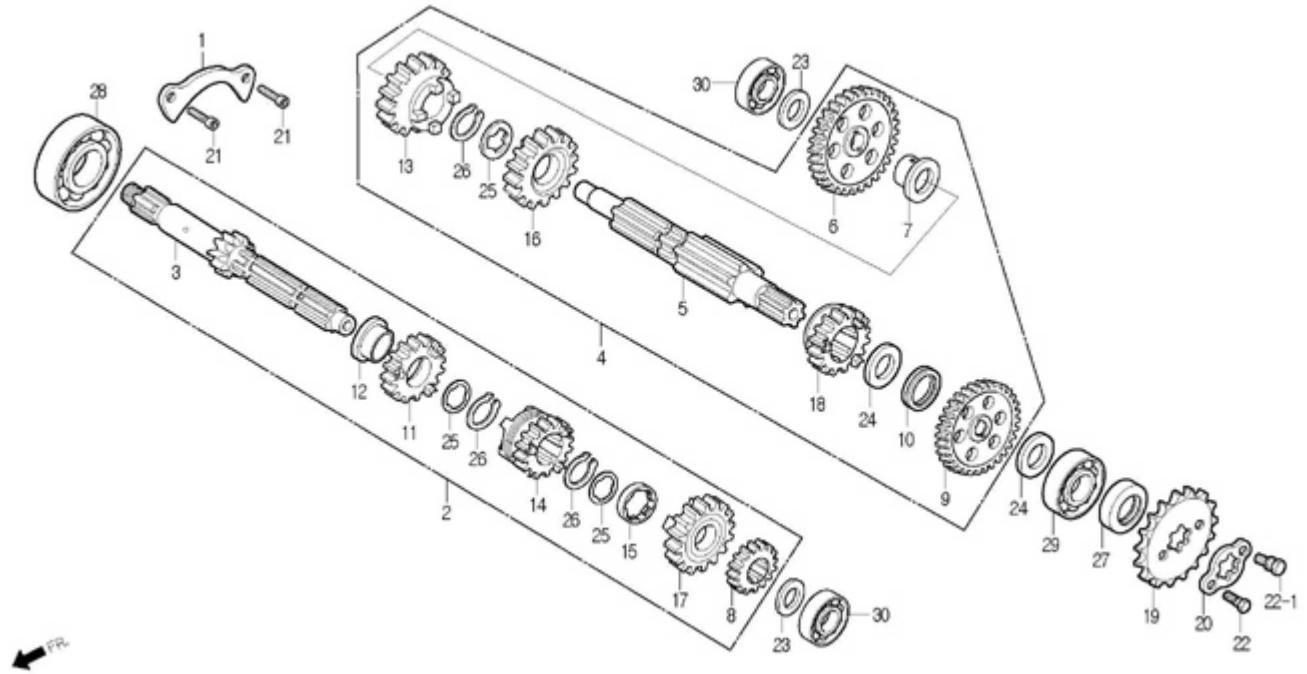
TRANSMISSION



Service Item	FRT	Ref. No.	Part No.	Description	QTY	A/S	Exch	Start Date	Start FRM.No	End FRM.No
SHAFT COMP., MAIN SHAFT ASS'Y, COUNTER (INCLUDE RELATIVE PARTS)	4.7	1	11108-BA6-9000	PLATE, BEARING SETTING	1	Y		20061214	KMYBA4BLS7C300001	
		2	2321A-BA1-0000	SHAFT ASS'Y, MAIN	1	Y		20061214	KMYBA4BLS7C300001	
		3	23210-BA1-0000	SHAFT COMP., MAIN	1	Y		20061214	KMYBA4BLS7C300001	
		4	2322A-BA7-9010	SHAFT ASS'Y, COUNTER	1	Y		20061214	KMYBA4BLS7C300001	
SPROCKET, DRIVE	0.2	5	23221-BA7-9000	SHAFT, COUNTER TRANSMISSION	1	Y		20061214	KMYBA4BLS7C300001	
		6	23426-BA1-0000	GEAR, C-1	1	Y		20061214	KMYBA4BLS7C300001	
		7	23427-BA6-9600	COLLAR, C-1	1	Y		20061214	KMYBA4BLS7C300001	
		8	23441-BA6-0000	GEAR, M-2	1	Y		20061214	KMYBA4BLS7C300001	
		9	23451-BA7-9000	GEAR, C-2	1	Y		20061214	KMYBA4BLS7C300001	
		10	23452-BA6-9000	BUSH, 20x23x9	1	Y		20061214	KMYBA4BLS7C300001	
		11	23461-BA1-0000	GEAR, M-3	1	Y		20061214	KMYBA4BLS7C300001	
		12	23462-BA6-9600	BUSH, 20mm	1	Y		20061214	KMYBA4BLS7C300001	
		13	23471-BA1-0000	GEAR, C-3	1	Y		20061214	KMYBA4BLS7C300001	
		14	23481-BA6-9600	GEAR, M-4	1	Y		20061214	KMYBA4BLS7C300001	
		15	23485-BA6-0000	BUSH, MAIN SHAFT (23x10)	1	Y		20061214	KMYBA4BLS7C300001	
		16	23491-BA6-9600	GEAR, C-4	1	Y		20061214	KMYBA4BLS7C300001	
		17	23501-BA6-9610	GEAR, M-5	1	Y		20061214	KMYBA4BLS7C300001	
		18	23511-BA7-9000	GEAR, C-5	1	Y		20061214	KMYBA4BLS7C300001	
		19	23801-BA6-8900-M1	SPROCKET, DRIVE (14T: LONCIN)	1	Y		20061214	KMYBA4BLS7C300001	
		20	23811-BA6-6010	PLATE A2, FIXING	1	Y		20061214	KMYBA4BLS7C300001	

E-13

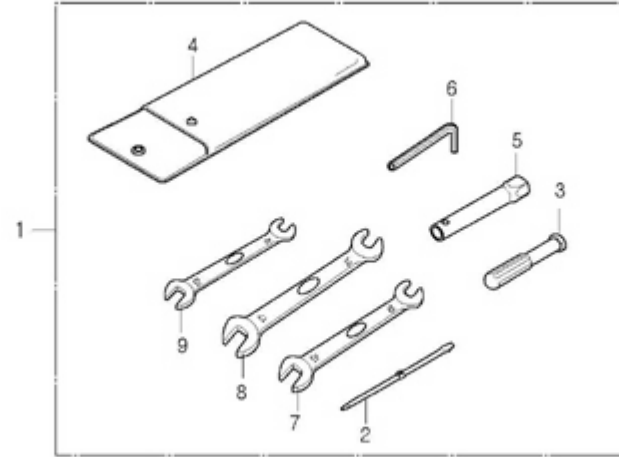
TRANSMISSION



Service Item	FRT	Ref. No.	Part No.	Description	QTY	A/S	Exch	Start Date	Start FRM.No	End FRM.No
		21	90001-BA6-9300	BOLT, SOCKET 6x16	2	Y		20061214	KMYBA4BLS7C300001	
		22	90084-CB2-0000	BOLT, DRIVE SPROCKET FIXING	1	Y		20061214	KMYBA4BLS7C300001	
		22-1	90085-BA7-0000-EU	BOLT, DRIVE SPROCKET FIXING 6x9	1	Y		20061214	KMYBA4BLS7C300001	
		23	90451-BA6-0000	WASHER, THRUST 15mm	2	Y		20061214	KMYBA4BLS7C300001	
		24	90454-BA6-0000	WASHER, THRUST 20mm	2	Y		20061214	KMYBA4BLS7C300001	
		25	90455-BA6-0000	WASHER A, SPLINE 20mm	3	Y		20061214	KMYBA4BLS7C300001	
		26	90605-BA6-0000	SET RING, 20mm	3	Y		20061214	KMYBA4BLS7C300001	
		27	91201-BA6-0330	SEAL, OIL 20x34x7	1	Y		20061214	KMYBA4BLS7C300001	
		28	S6100-60040-00	BEARING, RADIAL BALL 6004	1	Y		20061214	KMYBA4BLS7C300001	
		29	S6100-62040-00	BEARING, RADIAL BALL 6204	1	Y		20061214	KMYBA4BLS7C300001	
		30	S6120-62020-00	BEARING, RADIAL BALL 6202Z	2	Y		20061214	KMYBA4BLS7C300001	

F-33

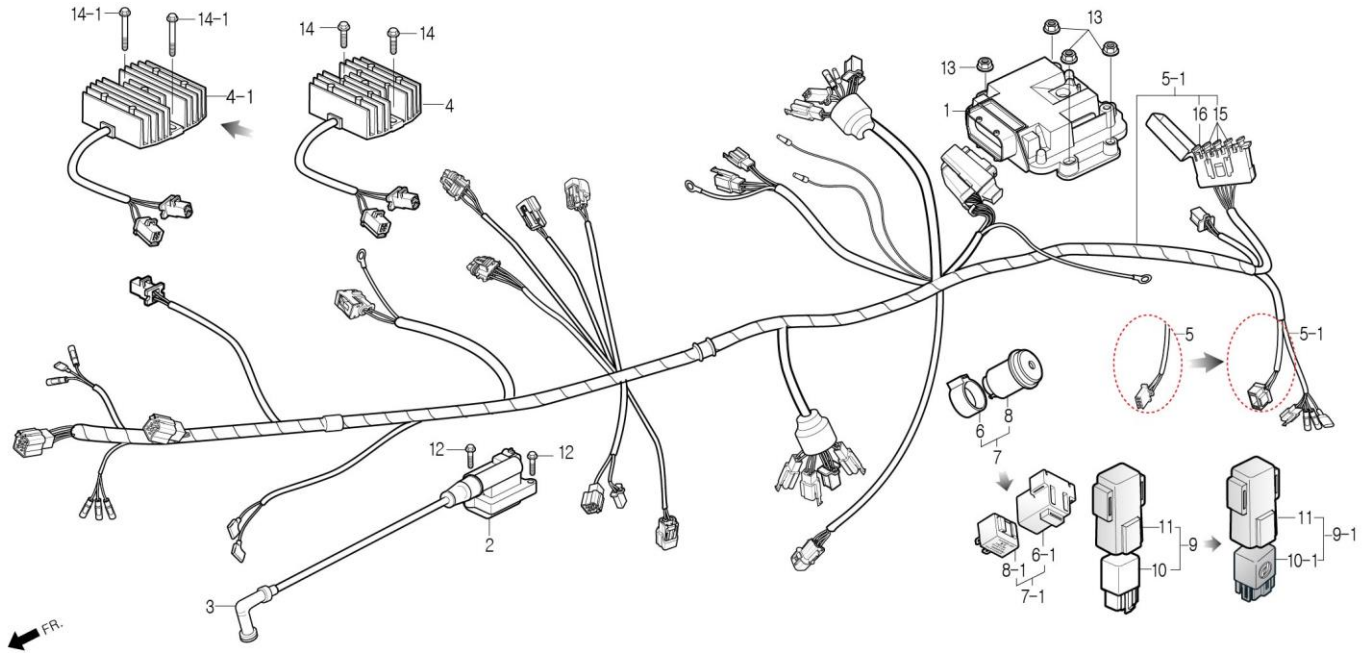
TOOL



Service Item	FRT	Ref. No.	Part No.	Description	QTY	A/S	Exch	Start Date	Start FRM.No	End FRM.No
		1	89010-BA1-RB00	TOOL SET	1	Y		20061214	KMYBA4BLS7C300001	
		2	89102-CB2-0000	DRIVER, NO.2 PLUS & MINUS	1	N		20061214	KMYBA4BLS7C300001	
		3	89103-CB2-0000	GRIP	1	N		20061214	KMYBA4BLS7C300001	
		4	89104-SZ1-0000	TOOL BAG 160mm	1	N		20061214	KMYBA4BLS7C300001	
		5	89216-BA1-0000	BOX WRENCH	1	N		20061214	KMYBA4BLS7C300001	
		6	89221-BA5-0000	HEX WRENCH 5	1	N		20061214	KMYBA4BLS7C300001	
		7	S9001-BA7-0300-M1	SPANNER 10x12	1	N		20061214	KMYBA4BLS7C300001	
		8	S9001-BA7-0600-M1	SPANNER 14x17	1	N		20061214	KMYBA4BLS7C300001	
		9	S9001-08100	SPANNER 8x10	1	N		20061214	KMYBA4BLS7C300001	

F-31

WIRE HARNESS



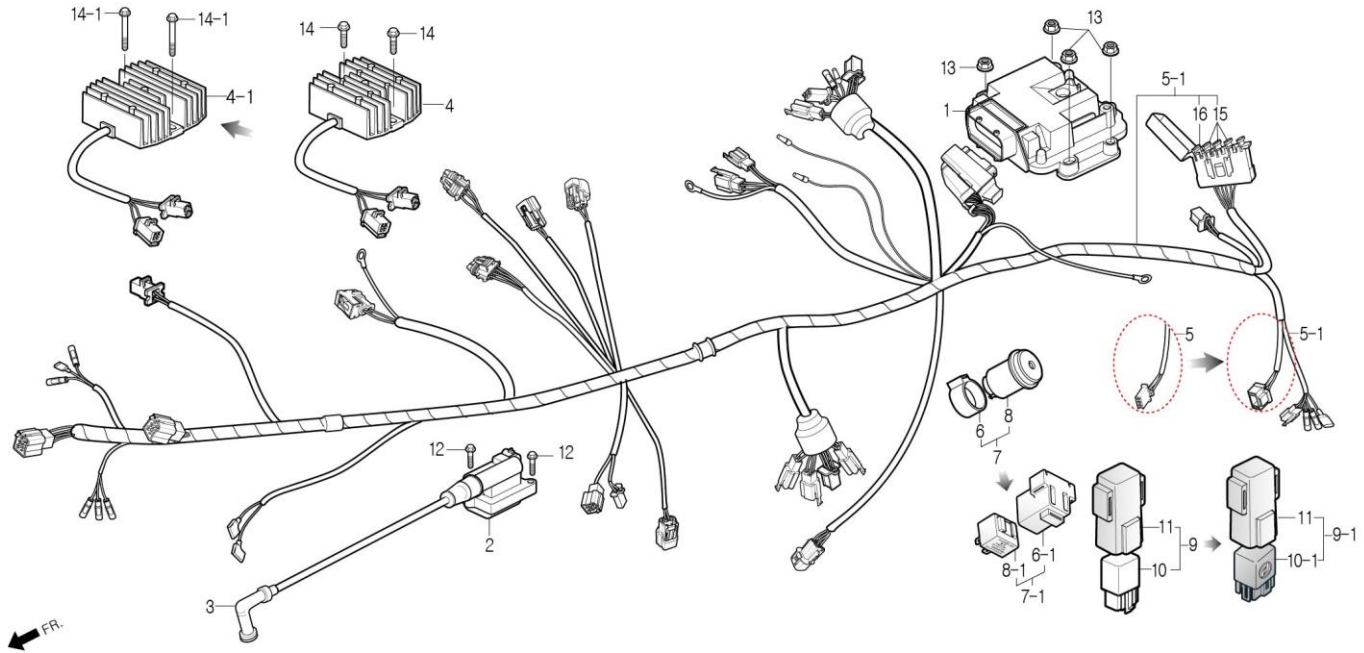
[Set Applied Information]

32100-BA4-R330 + 3830A-SE4-0000

Service item	FRT	Ref No.	Part No.	Description	QTY	A/S	Exch	Start Date	End Date	Start FRM.No	End FRM.No
COIL COMP., IGNITION .CAP ASS'Y, NOISE SUPPRESSOR	0.1	1	30100-BA4-R300	UNIT, ENGINE CONTROL	1	Y		20061214		KMYBA4BLS7C300001	
		2	30510-BA4-R300 30510-BA4-R310	COIL COMP., IGNITION COIL COMP., IGNITION	1 1	N Y	Y	20061214 20090820	20090819	KMYBA4BLS7C300001 KMYBA4BLSAC303849	KMYBA4BLSAC303848
RECTIFIER ASS'Y, REGULATOR	0.1	3	30700-BA1-0000 30700-BA1-0000-M1	CAP ASS'Y, NOISE SUPPRESSOR CAP ASS'Y, NOISE SUPPRESSOR	1 1	N Y	Y	20061214 20140801	20140731	KMYBA4BLS7C300001 KMYBA4BLSFC307200	KMYBA4BLSFC307199
		4	31600-BA1-R300 4-1 31600-SAB-0000-M1	RECTIFIER ASS'Y, REGULATOR RECTIFIER ASS'Y, REGULATOR	1 1	N Y	N	20061214 20100801	20100731	KMYBA4BLS7C300001 KMYBA4BLSBC305252	KMYBA4BLSBC305251
RELAY ASS'Y, LIGHT	0.1	5	32100-BA4-R300 32100-BA4-R310	HARNESS, WIRE HARNESS, WIRE	1 1	N Y	Y N	20061214 20080530	20080529 20081130	KMYBA4BLS7C300001 KMYBA4BLS9C302249	KMYBA4BLS9C302248 KMYBA4BLS9C302414
		5-1	32100-BA4-R320 32100-BA4-R330	HARNESS, WIRE HARNESS, WIRE	1 1	N Y	N	20081201 20100901	20100831	KMYBA4BLS9C302415 KMYBA4BLSBC305333	KMYBA4BLSBC305332
HARNESS, WIRE	0.9	6	35856-SE4-0000	RUBBER, WINKER RELAY SHOCK	1	N	N	20061214	20100516	KMYBA4BLS7C300001	KMYBA4BLSAC304583
		6-1	35856-BA8-0000 35856-BA8-0000-M2	RUBBER, WINKER RELAY SHOCK RUBBER, WINKER RELAY SHOCK	1 1	N N	Y	20100517		KMYBA4BLSAC304584	
RELAY ASS'Y, WINKER	0.1	7	3830A-SE4-0000	RELAY ASS'Y, AP WINKER	1	N	N	20061214	20100516	KMYBA4BLS7C300001	KMYBA4BLSAC304583
		7-1	3830A-BA8-0000-M1 3830A-BA8-0000-M2	RELAY ASSY, WINKER RELAY ASSY, WINKER	1 1	N Y	Y	20100517		KMYBA4BLSAC304584	
RELAY ASS'Y, WINKER	0.1	8	38301-BA6-0300-P	RELAY COMP., AP WINKER	1	N	N	20061214	20100516	KMYBA4BLS7C300001	KMYBA4BLSAC304583
		8-1	38301-BA8-0000-M1 38301-BA8-0000-M2	RELAY COMP., WINKER RELAY COMP., WINKER	1 1	N N	Y	20100517		KMYBA4BLSAC304584	
RELAY ASS'Y, LIGHT	0.1	9	38500-BA4-0000	RELAY ASS'Y, LIGHT	1	Y	Y	20061214	20081130	KMYBA4BLS7C300001	KMYBA4BLS9C302414
		9-1	38500-BA4-0010 38500-CB4-4000	RELAY ASS'Y, LIGHT RELAY ASS'Y, FUEL PUMP	1 1	Y Y	Y	20081201 20120102	20120101	KMYBA4BLS9C302415 KMYBA4BLSAC306476	KMYBA4BLS9C302414 KMYBA4BLS9C306475

F-31

WIRE HARNESS



[Set Applied Information]

32100-BA4-R330 + 3830A-SE4-0000

Service item	FRT	Ref No.	Part No.	Description	QTY	A/S	Exch	Start Date	End Date	Start FRM.No	End FRM.No
		10	38501-SE6-9800	RELAY COMP., START	1	N	N	20061214	20081130	KMYBA4BLS7C300001	KMYBA4BLS9C302414
			38501-SE6-9810	RELAY COMP., START	1	N	N	20081201	20120101	KMYBA4BLS9C302415	KMYBA4BLS9C306475
		10-1	38501-CB4-4000	RELAY COMP., FUEL PUMP	1	N		20120102		KMYBA4BLS9C306476	
		11	38506-BA4-0000	SUSPENSION, LIGHT RELAY	1	N		20061214		KMYBA4BLS7C300001	
		12	90112-BA7-0000	BOLT, FLANGE, 5x22	2	Y		20061214		KMYBA4BLS7C300001	
		13	S4050-06080	NUT, FLANGE, 6mm	4	N		20061214		KMYBA4BLS7C300001	
		14	S5701-06016-08	BOLT, FLANGE, 6x16	2	N	Y	20061214	20100430	KMYBA4BLS7C300001	KMYBA4BLSAC304583
			S5701-06016-00	BOLT, FLANGE, 6x16	2	Y	N	20100501	20100731	KMYBA4BLSAC304584	KMYBA4BLSBC305251
		14-1	S5701-06032-00	BOLT, FLANGE, 6x32	2	Y		20100801		KMYBA4BLSBC305252	
		15	S8200-31500	BLADE FUSE 15A	3	Y		20061214		KMYBA4BLS7C300001	
		16	S8200-33000	BLADE FUSE 30A	1	Y		20061214		KMYBA4BLS7C300001	