

DAELIM

S2 125 Fi

*SQ125 **EU3***

파트리스트
PARTS LIST

 **대림자동차**
<http://www.dmc.co.kr>

Daelim S2 Fi 125 Grå Metallic



No.	Beskrivelse	Delenummer
1	COVER, FR.(T/GRAY) MARK, FR.COVER	64301-SZ1-0000-TY 87124-SZ1-0000
2	COVER A, FR.UNDER(T/GRAY) COVER A ASS'Y, FR.UNDER(T/GRAY)	64400-SZ1-0000-TY 6440A-SZ1-0000-TY
3	COVER B, FR.UNDER(T/GRAY)	61200-SZ1-0000-TY
4	FENDER, FR.(T/GRAY)	61100-SZ1-0000-TY
5	COVER, RH.FLOOR SIDE(T/GRAY) COVER, LH.FLOOR SIDE(T/GRAY)	50613-SZ1-0000-TY 50614-SZ1-0000-TY
6	COVER, RH.BODY(T/GRAY) MARK, BOOY COVER COVER, LH.BODY(T/GRAY) MARK, BOOY COVER	83500-SZ1-0000-TY 87121-SA4-R300 83600-SZ1-0000-TY 87121-SA4-R300
7	COVER ASS'Y, RR.UPPER(T/GRAY)*	8350A-SZ1-0000-TY
8	COVER, RR.UNDER(T/GRAY)*	83503-SZ1-0000-TY
	*Se Delebok!	

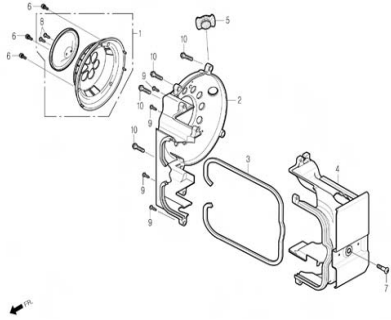
Daelim S2 Fi 125 Rød Metallic



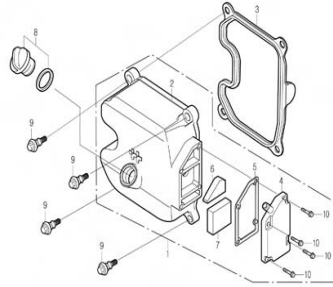
No.	Beskrivelse	Delenummer
1	COVER, FR.(O/RED) MARK, FR.COVER	64301-SZ1-0000-TR 87124-SZ1-0000
2	COVER A ASS'Y, FR.UNDER(O/RED)	6440A-SZ1-0000-TR
3	COVER B, FR.UNDER(O/RED)	61200-SZ1-0000-TR
4	FENDER, FR.(O/RED)	61100-SZ1-0000-TR
5	COVER, RH.FLOOR SIDE(O/RED) COVER, LH.FLOOR SIDE(O/RED)	50613-SZ1-0000-TR 50614-SZ1-0000-TR
6	COVER, RH.BODY(O/RED) MARK, BOOY COVER COVER, LH.BODY(O/RED) MARK, BOOY COVER	83500-SZ1-0000-TR 87121-SA4-R300 83600-SZ1-0000-TR 87121-SA4-R300
7	COVER ASS'Y, RR.UPPER(O/RED)*	8350A-SZ1-0000-TR
8	COVER, RR.UNDER(O/RED)*	83503-SZ1-0000-TR
	*Se Delebok!	

Engine Group

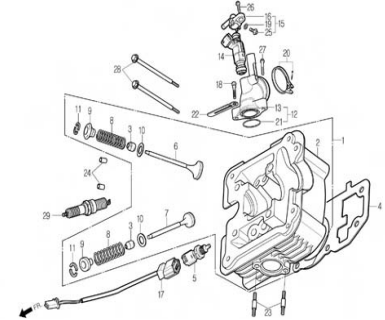
E-01 FAN COVER / SHROUD



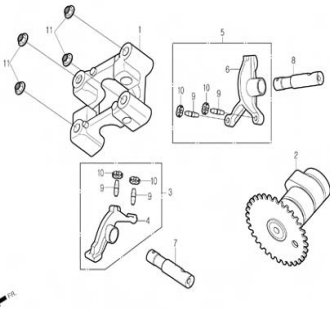
E-02 CYLINDER HEAD COVER



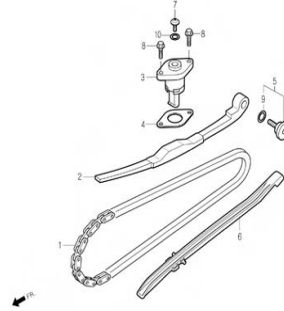
E-03 CYLINDER HEAD / VALVE



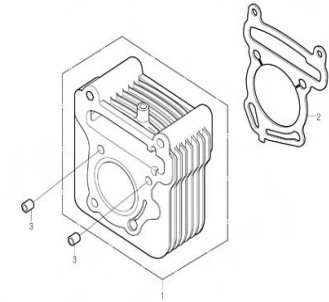
E-04 CAM SHAFT



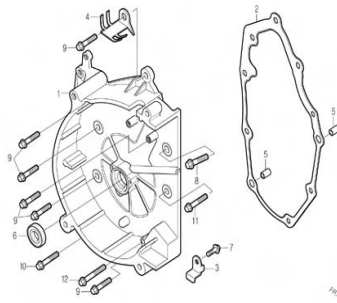
E-05 CAM CHAIN / TENSIONER



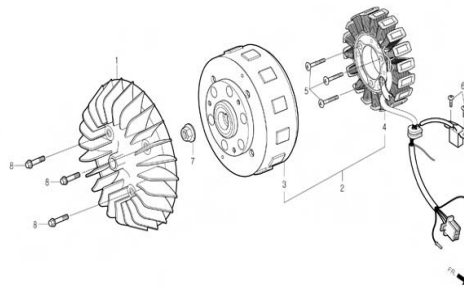
E-06 CYLINDER



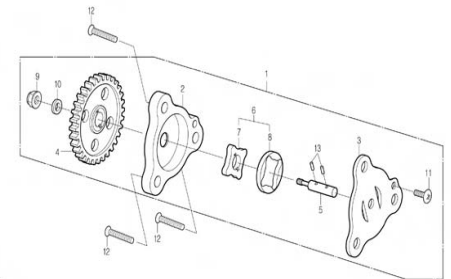
E-07 RIGHT CRANK CASE COVER



E-08 GENERATOR

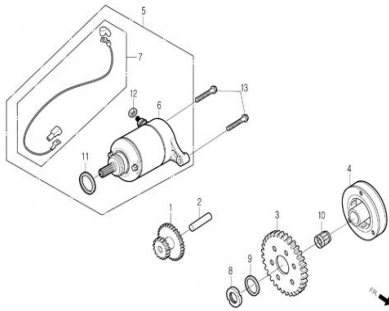


E-09 OIL PUMP

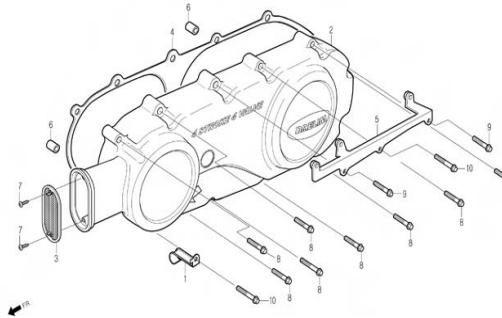


ENGINE GROUP

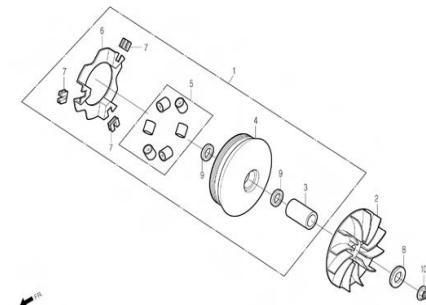
E-10 STARTER MOTOR



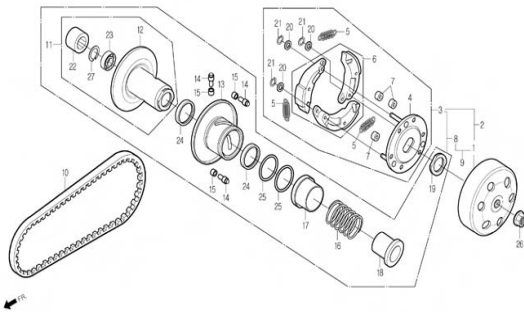
E-11 LEFT CRANK CASE COVER



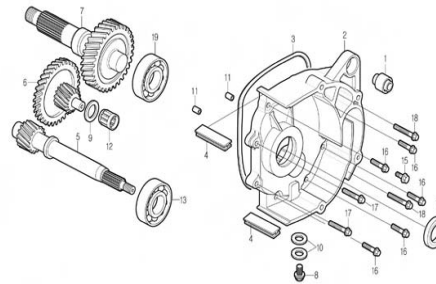
E-12 DRIVE FACE



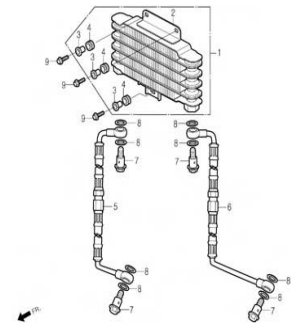
E-13 DRIVEN FACE



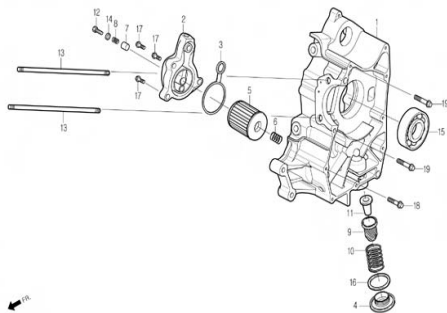
E-14 TRANSMISSION



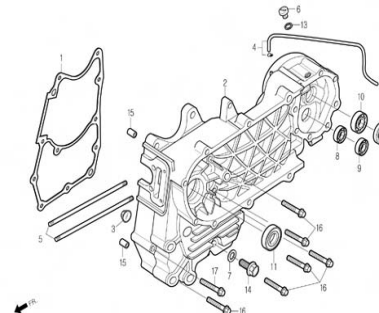
E-15 RADIATOR / RADIATOR HOSE



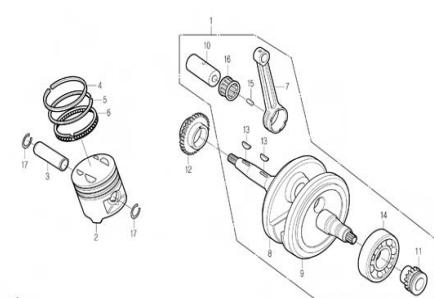
E-16 RIGHT CRANK CASE



E-17 LEFT CRANK CASE

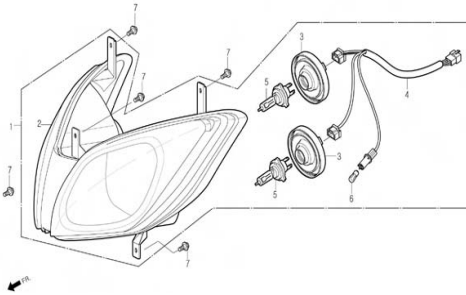


E-18 CRANK SHAFT / PISTON

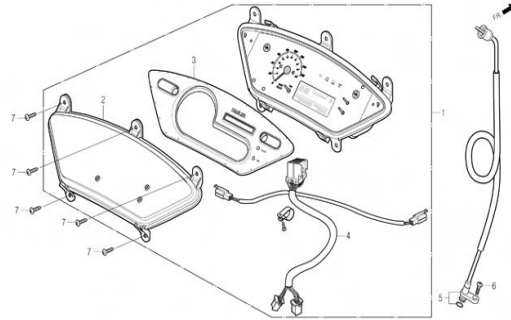


Frame Group

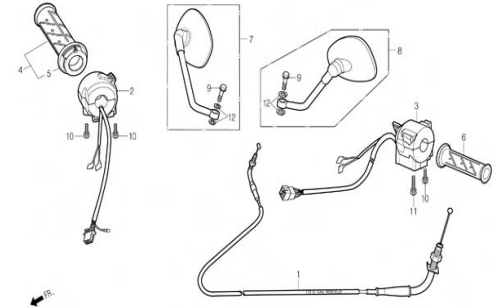
F-01 Headlight



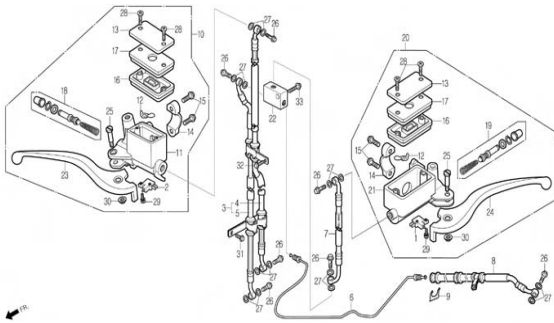
F-02 Speedometer



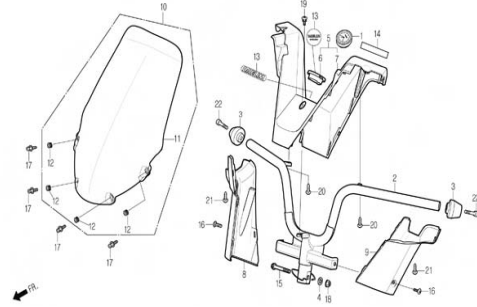
F-03 Handle Grip / Switch / Cable



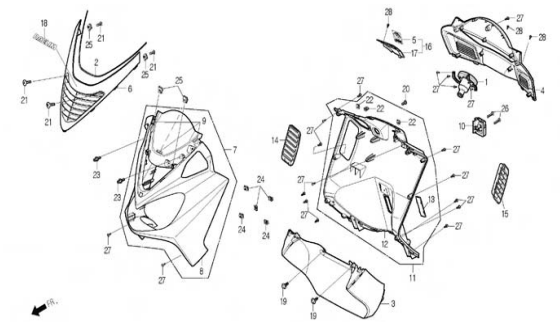
F-04 Master Cylinder



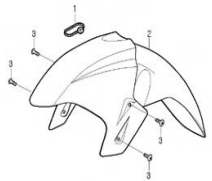
F-05 Steering Handle / Handle Cover



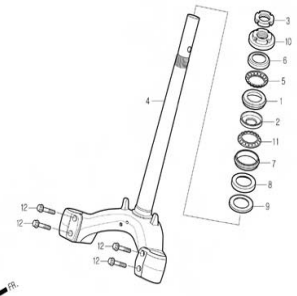
F-06 Front Cover / Inner Cover



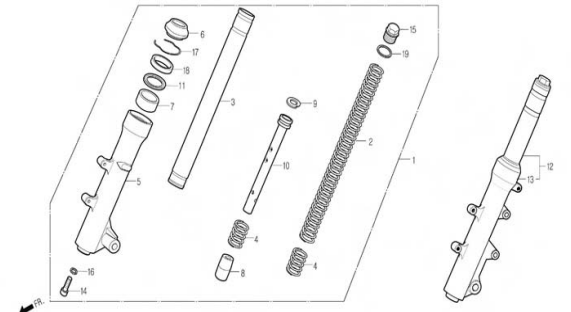
F-07 Front Fender



F-08 Steering Stem



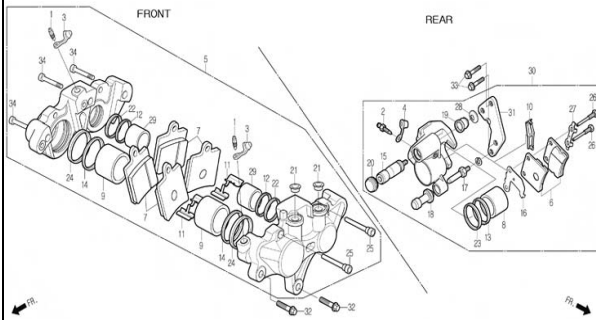
F-09 Front Fork



FRAME GROUP

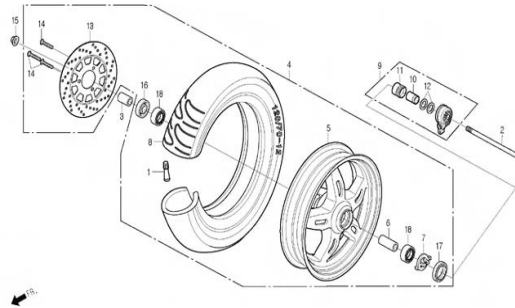
F-10

Brake Caliper



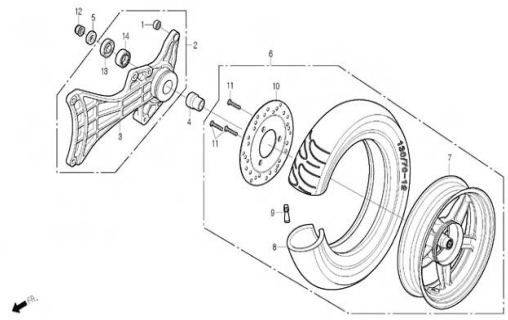
F-11

Front Wheel



F-12

Rear Wheel



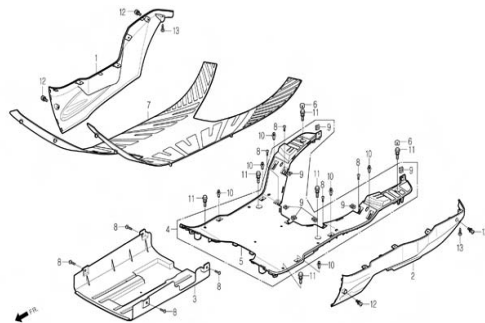
F-13

Seat



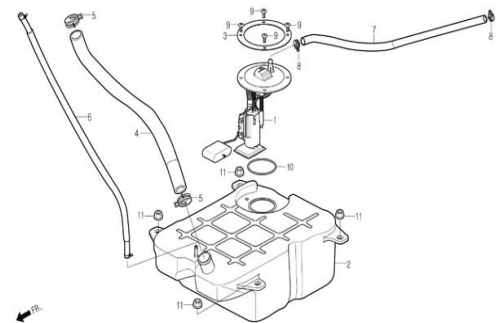
F-14

Floor Side Cover / Under Cover



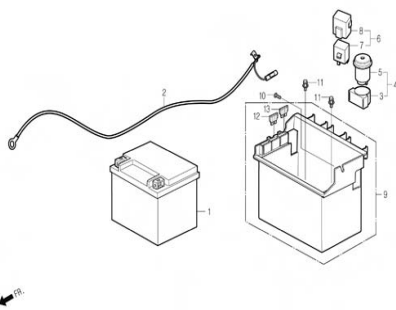
F-15

Fuel Tank



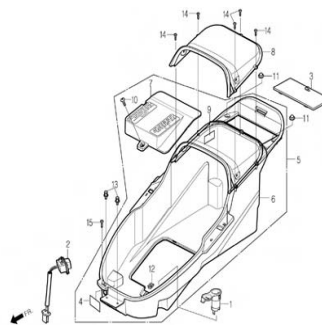
F-16

Battery



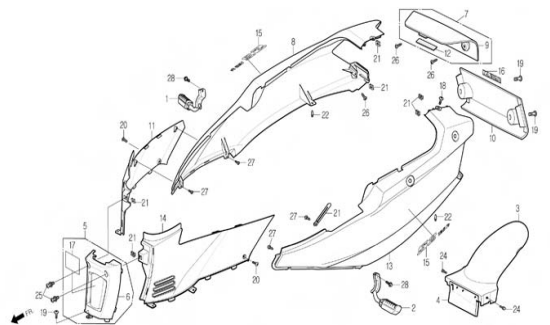
F-17

LUGGAGE BOX



F-18

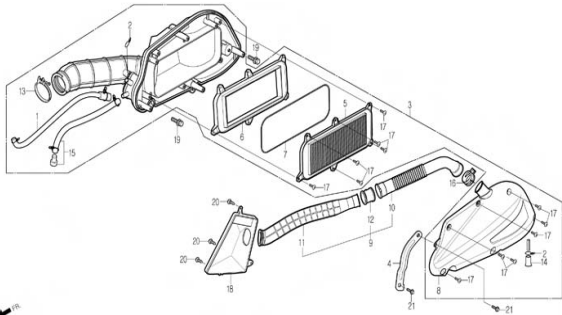
Center Cover / Body Cover



FRAME GROUP

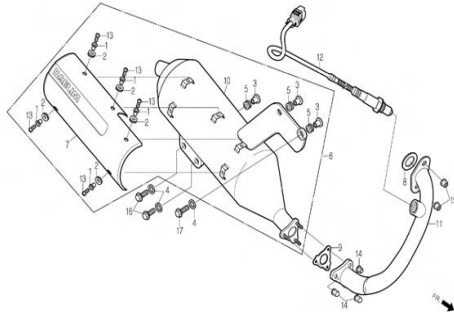
F-19

Air Cleaner



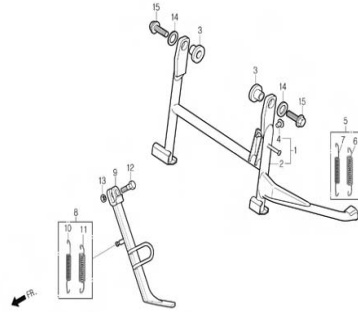
F-20

Exhaust Muffler



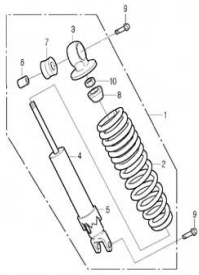
F-21

Stand



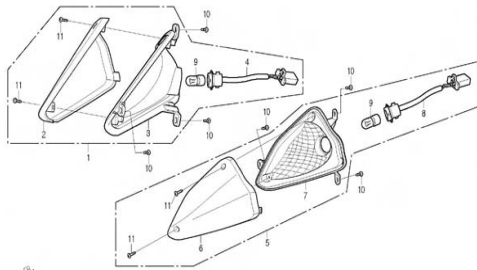
F-22

Rear Cushion



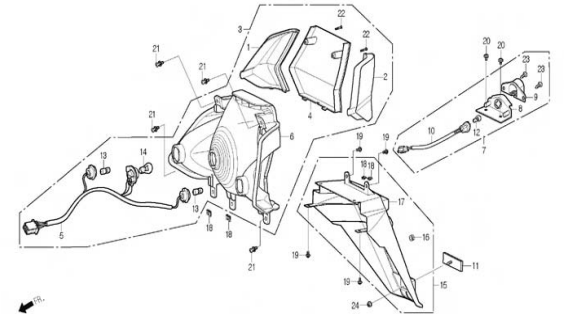
F-23

Front Winker



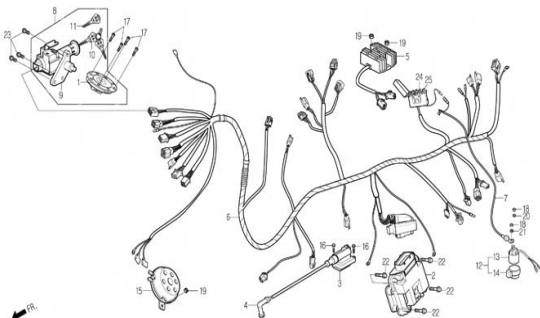
F-24

Rear Combination Light / Rear Fender



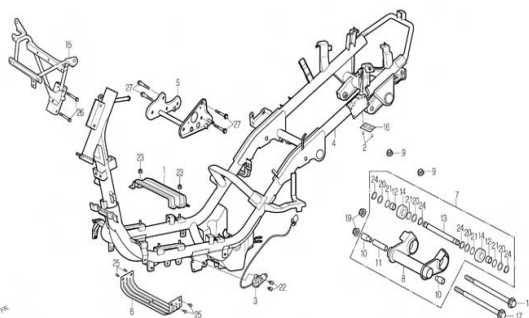
F-25

Wire Harness / Ignition Coil



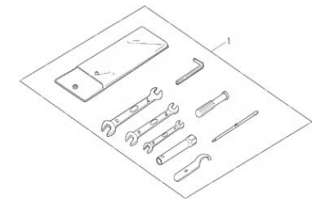
F-26

Frame Body



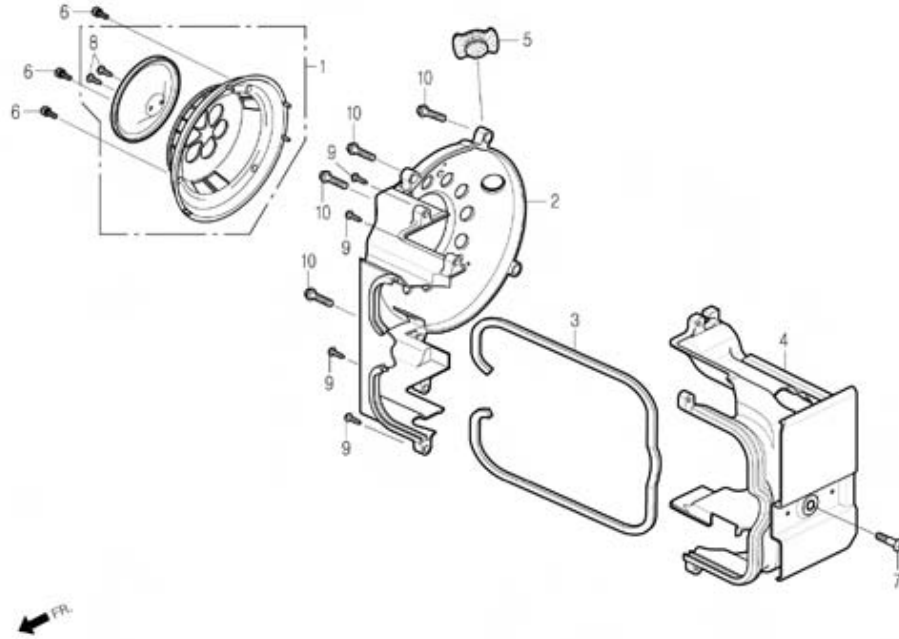
F-27

Tool



E-01

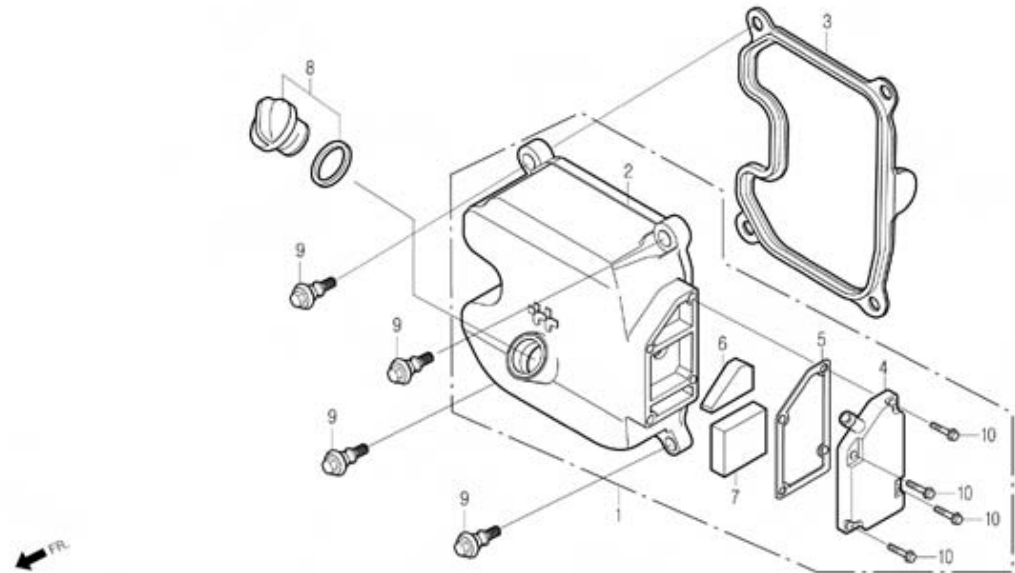
FAN COVER / SHROUD



Service item	FRT	Ref. No.	Part No.	Description	QTY	A/S	Exch	Start Date	Start FRM.No	End FRM.No
SHROUD COMP., RH. (ADD 0.2 FOR EACH) COVER ASS'Y, FAN	0.5	1	19615-SA2-0010	COVER ASS'Y, FAN	1	Y		20061113	KMYSA4BLS7C300001	
	0.2	2	19620-SA4-0011	SHROUD COMP., RH.	1	Y		20061113	KMYSA4BLS7C300001	
		3	19625-SA4-0000	SEAL, SHROUD	1	Y		20061113	KMYSA4BLS7C300001	
		4	19630-SA4-0002	SHROUD COMP., LH	1	Y		20061113	KMYSA4BLS7C300001	
		5	19633-SA0-0000	GROMMET, SHROUD B	1	Y		20061113	KMYSA4BLS7C300001	
		6	90001-SA1-0000	SCREW, WASHER 5x12	3	Y		20061113	KMYSA4BLS7C300001	
		7	90108-BA5-9001	SCREW 6x18	1	Y		20061113	KMYSA4BLS7C300001	
		8	S3903-34380	SCREW, TAPPING 4x12	2	N		20061113	KMYSA4BLS7C300001	
		9	S3904-35380	SCREW, TAPPING 5x16	4	Y		20061113	KMYSA4BLS7C300001	
		10	S6001-06020-07	BOLT, FLANGE SH.6x20	4	Y		20061113	KMYSA4BLS7C300001	

E-02

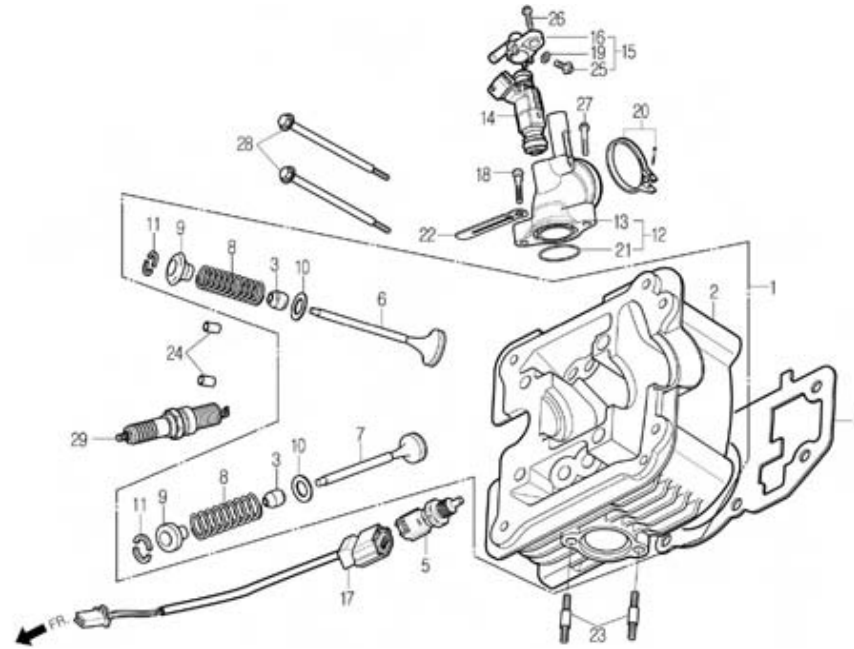
CYLINDER HEAD COVER



Service item	FRT	Ref. No.	Part No.	Description	QTY	A/S	Exch	Start Date	Start FRM.No	End FRM.No
COVER COMP., CYLINDER HEAD	0.4	1	12300-SA2-RB00	COVER ASS'Y, CYLINDER HEAD	1	Y		20061113	KMYSA4BLS7C300001	
	0.4	2	12301-SA2-RB02	COVER, CYLINDER HEAD	1	N		20061113	KMYSA4BLS7C300001	
GASKET, CYLINDER HEAD COVER		3	12313-SA1-0000	GASKET, CYLINDER HEAD COVER	1	Y		20061113	KMYSA4BLS7C300001	
		4	12330-SA2-RB02	COVER COMP., CYLINDER HEAD SIDE	1	N		20061113	KMYSA4BLS7C300001	
		5	12391-SA2-RB01	GASKET, CYLINDER HEAD SIDE COVER	1	Y		20061113	KMYSA4BLS7C300001	
		6	12392-SA2-RB01	ELEMENT A, SIDE COVER	1	Y		20061113	KMYSA4BLS7C300001	
		7	12393-SA2-RB01	ELEMENT B, SIDE COVER	1	Y		20061113	KMYSA4BLS7C300001	
		8	15650-SA1-0000	CAP ASS'Y, OIL FILLER	1	Y		20061113	KMYSA4BLS7C300001	
		9	9000A-SE5-7501	BOLT ASS'Y, SPECIAL 6x28	4	Y		20061113	KMYSA4BLS7C300001	
		10	S6001-06020-00	BOLT, FLANGE SH.6x20	4	Y		20061113	KMYSA4BLS7C300001	

E-03

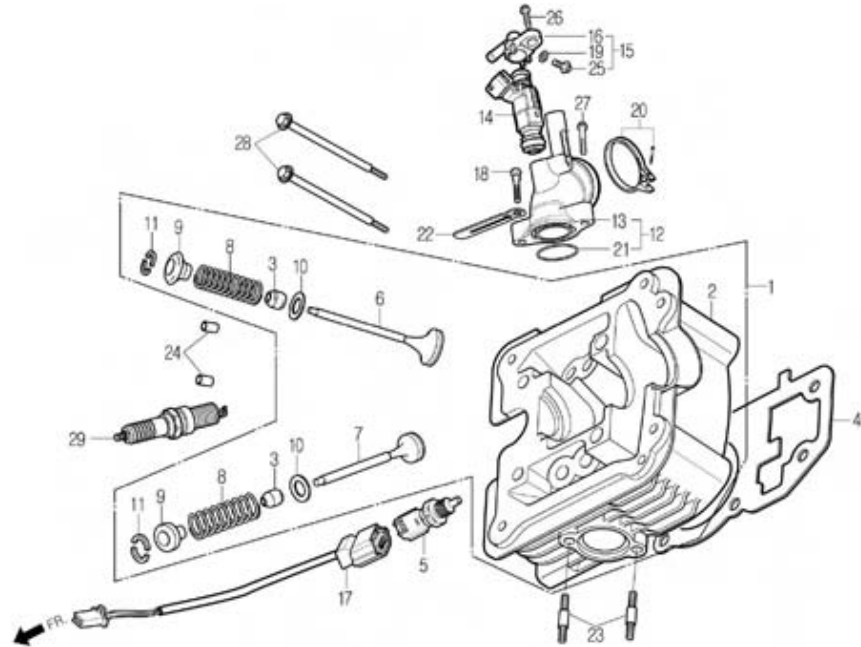
CYLINDER HEAD / VALVE



Service item	FRT	Ref. No.	Part No.	Description	QTY	A/S	Exch	Start Date	Start FRM.No	End FRM.No
HEAD COMP., CYLINDER	*3.5	1	1220A-SA4-R300	HEAD ASS'Y, CYLINDER	1	Y		20061113	KMYSA4BLS7C300001	
GASKET, CYLINDER HEAD	*3.0	2	12200-SA4-R300	HEAD COMP., CYLINDER	1	Y		20061113	KMYSA4BLS7C300001	
BOLT, STUD 6x20 (ADD 0.1 FOR EACH)	0.5 0.1	3	12209-BA6-0050	SEAL, VALVE STEM	4	Y		20061113	KMYSA4BLS7C300001	
INSULATOR ASS'Y, CARBURETOR	*3.2	4	12251-SA1-0001	GASKET, CYLINDER HEAD	1	Y		20061113	KMYSA4BLS7C300001	
PLUG, SPARK C8EH-9 VALVE (ADD 0.2 FOR EACH)	*3.0 0.1	5	12410-BA1-R300-M1	SENSOR, ENGINE TEMP.	1	Y		20061113	KMYSA4BLS7C300001	
SPRING, VALVE (ADD 0.1 FOR EACH)		6	14711-SA1-0000	VALVE, INLET	2	Y		20061113	KMYSA4BLS7C300001	
		7	14721-SA1-0000	VALVE, EXHAUST	2	Y		20061113	KMYSA4BLS7C300001	
		8	14751-SA1-0100	SPRING, VALVE	4	Y		20061113	KMYSA4BLS7C300001	
		9	14771-BA6-9601	RETAINER, VALVE SPRING	4	Y		20061113	KMYSA4BLS7C300001	
		10	14775-SA1-0100	SEAT, VALVE SPRING	4	Y		20061113	KMYSA4BLS7C300001	
		11	14781-BA6-0000	COTTER, VALVE	8	Y		20061113	KMYSA4BLS7C300001	
		12	1621A-SA4-R300	INSULATOR ASS'Y, CARBURETOR	1	Y		20061113	KMYSA4BLS7C300001	
		13	16210-SA4-R300	INSULATOR COMP.	1	N		20061113	KMYSA4BLS7C300001	
		14	16300-BA1-R300-M1	INJECTOR ASS'Y	1	Y		20061113	KMYSA4BLS7C300001	
		15	1650A-SA4-R300	CAP ASS'Y, INJECTOR	1	Y		20061113	KMYSA4BLS7C300001	
		16	16500-SA4-R300	CAP, INJECTOR	1	N		20061113	KMYSA4BLS7C300001	
		17	32103-SA4-R300	SUB CORD, ETS	1	Y		20061113	KMYSA4BLS7C300001	
		18	90086-SE5-5000-EU	SPECIAL BOLT, INLET PIPE	1	Y		20061113	KMYSA4BLS7C300001	
		19	90461-BA6-1000	WASHER, SEALING 12mm	1	Y		20061113	KMYSA4BLS7C300001	
		20	90652-BA6-6601	BAND 46, AIR CLEANER CONNECTING TUBE	1	Y		20061113	KMYSA4BLS7C300001	
		21	91303-SA1-0001	O-RING 29.5x3	1	Y		20061113	KMYSA4BLS7C300001	

E-03

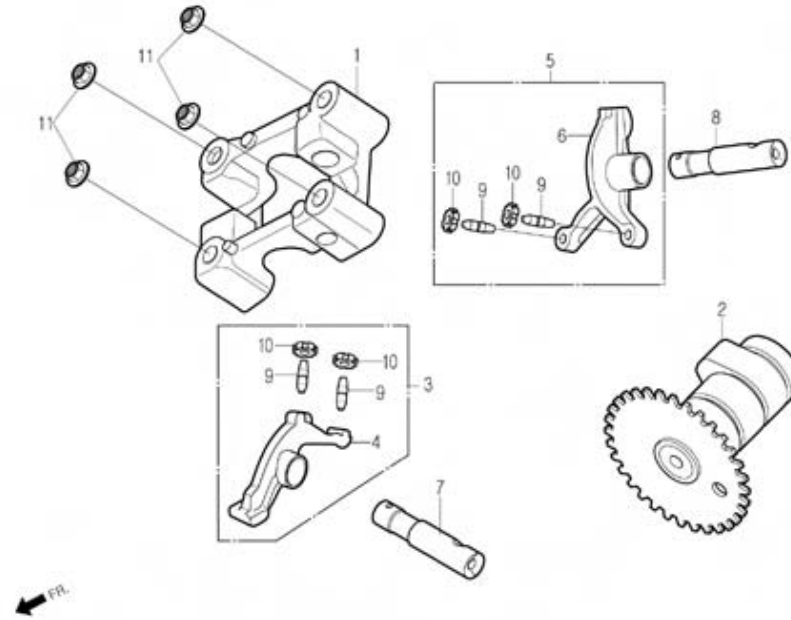
CYLINDER HEAD / VALVE



Service item	FRT	Ref. No.	Part No.	Description	QTY	A/S	Exch	Start Date	Start FRM.No	End FRM.No
		22	91410-BA6-0000	CLIP, 2x60	1	Y		20061113	KMYSA4BLS7C300001	
		23	S2900-06020-0B	BOLT, STUD 6x20	2	Y		20061113	KMYSA4BLS7C300001	
		24	S4301-10160	PIN, DOWEL 10x16	2	Y		20061113	KMYSA4BLS7C300001	
		25	S5701-06010-00	BOLT, FLANGE 6x10	1	Y		20061113	KMYSA4BLS7C300001	
		26	S6001-06020-00	BOLT, FLANGE SH.6x20	1	Y		20061113	KMYSA4BLS7C300001	
		27	S6001-06028-00	BOLT, FLANGE SH.6x28	1	N		20061113	KMYSA4BLS7C300001	
		28	S6001-06145-00	BOLT, FLANGE SH.6x145	2	Y		20061113	KMYSA4BLS7C300001	
		29	S8059-58916-00	PLUG, SPARK CR8EH-9	1	Y		20061113	KMYSA4BLS7C300001	

E-04

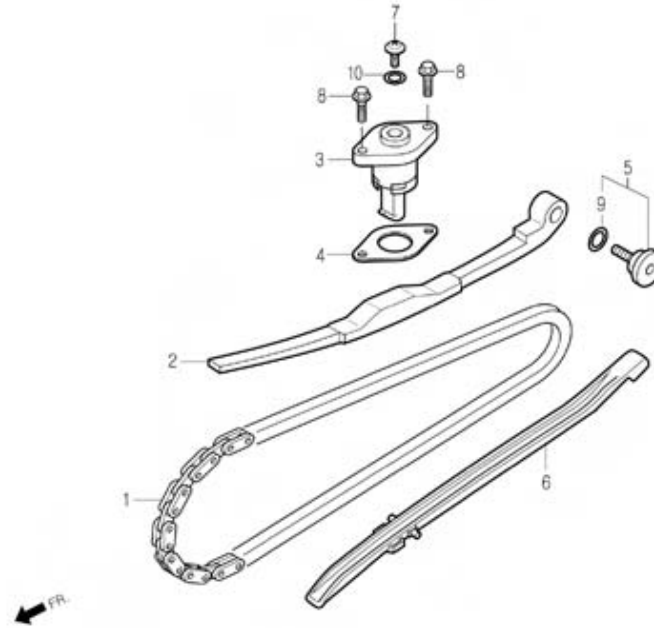
CAM SHAFT



Service item	FRT	Ref. No.	Part No.	Description	QTY	A/S	Exch	Start Date	Start FRM.No	End FRM.No
SHAFT COMP., CAM ARM, VALVE ROCKER (ADD 0.3 FOR EACH) HOLDER, CAM SHAFT	1.2	1	12211-SA1-0101	HOLDER, CAM SHAFT	1	Y		20061113	KMYSA4BLS7C300001	
	1.4	2	14100-SA1-0120	SHAFT COMP., CAM	1	Y		20061113	KMYSA4BLS7C300001	
		3	1443A-SA1-0101	ARM ASS'Y, INLET VALVE ROCKER	1	Y		20061113	KMYSA4BLS7C300001	
		4	14431-SA1-0100	ARM, INLET VALVE ROCKER	1	N		20061113	KMYSA4BLS7C300001	
		5	1444A-SA1-0101	ARM ASS'Y, EXHAUST VALVE ROCKER	1	Y		20061113	KMYSA4BLS7C300001	
		6	14441-SA1-0100	ARM, EXHAUST VALVE ROCKER	1	N		20061113	KMYSA4BLS7C300001	
		7	14451-SA1-0000	SHAFT, INLET ROCKER ARM	1	Y		20061113	KMYSA4BLS7C300001	
		8	14452-SA1-0000	SHAFT, EXHAUST ROCKER ARM	1	Y		20061113	KMYSA4BLS7C300001	
		9	90012-CB2-0004	SCREW, TAPPET ADJUSTING	4	Y		20061113	KMYSA4BLS7C300001	
		10	90206-CB2-0007	NUT, TAPPET ADJUSTING	4	Y		20061113	KMYSA4BLS7C300001	
			11	S4050-08080	NUT, FLANGE 8mm	4	Y		20061113	KMYSA4BLS7C300001

E-05

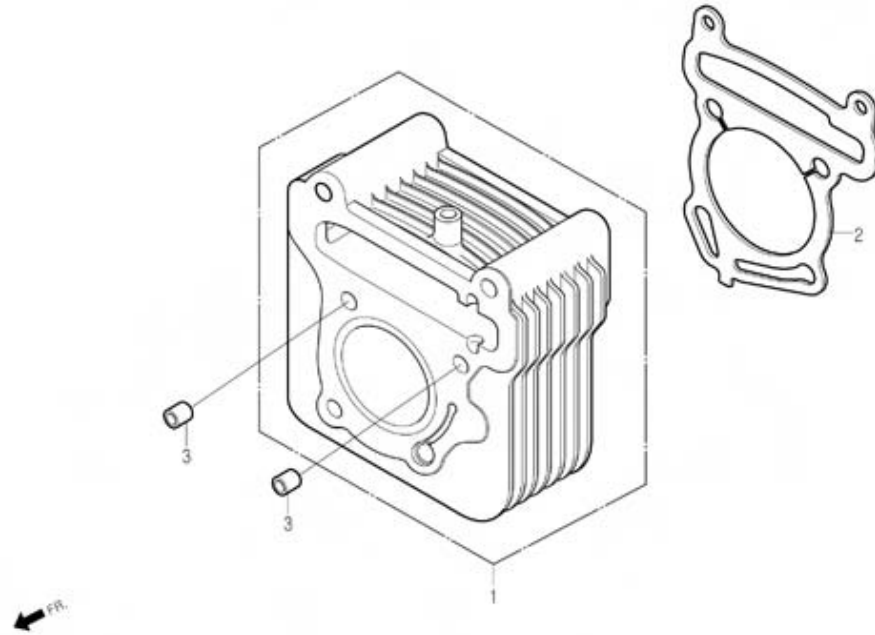
CAM CHAIN / TENSIONER



Service item	FRT	Ref. No.	Part No.	Description	QTY	A/S	Exch	Start Date	Start FRM.No	End FRM.No
CHAIN, CAM	3.5	1	14401-SA0-0010-M1	CHAIN, CAM	1	Y		20061113	KMYSA4BLS7C300001	
TENSIONER, CAM CHAIN	0.9	2	14500-SA1-0001	TENSIONER, CAM CHAIN	1	Y		20061113	KMYSA4BLS7C300001	
LIFTER ASS'Y, TENSIONER	0.4	3	14520-BA1-0000	LIFTER ASS'Y, TENSIONER	1	Y		20061113	KMYSA4BLS7C300001	
GUIDE, CAM CHAIN	*2.8	4	14523-BA7-0000-EU	GASKET, TENSIONER LIFTER	1	Y		20061113	KMYSA4BLS7C300001	
		5	1453A-SA1-0000	PIVOT ASS'Y, CAM CHAIN TENSIONER	1	Y		20061113	KMYSA4BLS7C300001	
		6	14550-SA1-0000	GUIDE, CAM CHAIN	1	Y		20061113	KMYSA4BLS7C300001	
		7	90005-BA7-9000	SCREW, PAN 6x6	1	Y		20061113	KMYSA4BLS7C300001	
		8	90091-BA7-0000	BOLT, FLANGE 6x16	2	Y		20061113	KMYSA4BLS7C300001	
		9	91302-SA0-0000	O-RING 15.2x1.5	1	N		20061113	KMYSA4BLS7C300001	
		10	91306-BA6-6900	O-RING 1.5x9.5	1	Y		20061113	KMYSA4BLS7C300001	

E-06

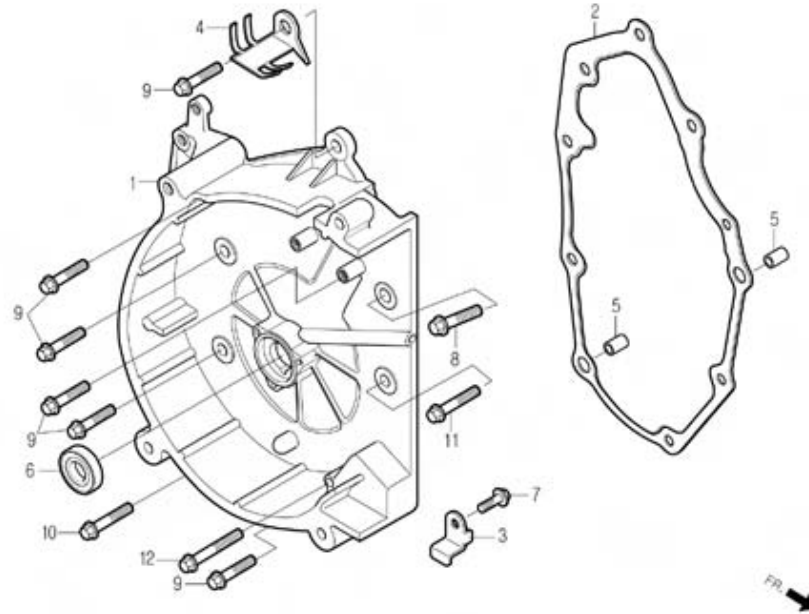
CYLINDER



Service item	FRT	Ref. No.	Part No.	Description	QTY	A/S	Exch	Start Date	Start FRM.No	End FRM.No
CYLINDER COMP. GASKET, CYLINDER	*3.0	1	12100-SA1-0010	CYLINDER COMP.	1	Y		20061113	KMYSA4BLS7C300001	
	*3.0	2	12191-SA1-0000-EU	GASKET, CYLINDER	1	Y		20061113	KMYSA4BLS7C300001	
		3	S4301-10160	PIN, DOWEL 10x16	2	Y		20061113	KMYSA4BLS7C300001	

E-07

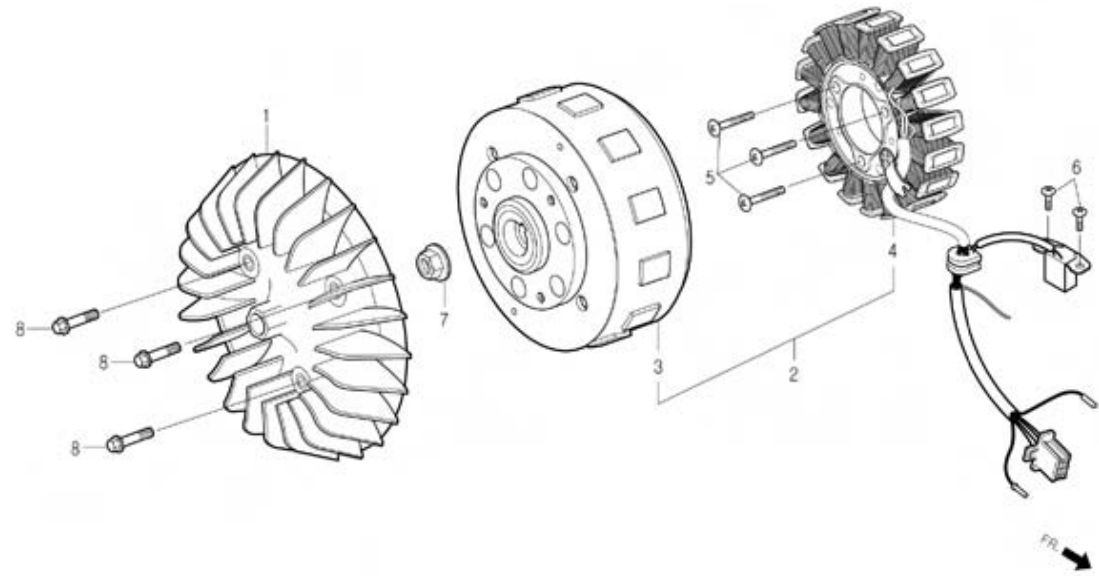
RIGHT CRANK CASE COVER



Service item	FRT	Ref. No.	Part No.	Description	QTY	A/S	Exch	Start Date	Start FRM.No	End FRM.No
COVER COMP., RH.CRANK CASE GASKET, RH.COVER	0.9	1	11330-SA2-RZ00	COVER COMP., RH.CRANK CASE	1	Y		20061113	KMYSA4BLS7C300001	
		2	11394-SA1-0000-EU	GASKET, RH.COVER	1	Y		20061113	KMYSA4BLS7C300001	
		3	28117-SA1-0000	PLATE, START DRIVEN GEAR SETTING	1	Y		20061113	KMYSA4BLS7C300001	
		4	32964-SC1-0201	CLAMPER, CORD	1	Y		20061113	KMYSA4BLS7C300001	
		5	90701-CB2-0002	PIN, SPECIAL DOWEL 8x14	2	Y		20061113	KMYSA4BLS7C300001	
		6	91201-SA1-0000	OIL SEAL 20x30x6	1	Y		20061113	KMYSA4BLS7C300001	
		7	S6001-06012-00	BOLT, FLANGE SH.6x12	1	Y		20061113	KMYSA4BLS7C300001	
		8	S6001-06018-00	BOLT, FLANGE SH.6x18	2	Y		20061113	KMYSA4BLS7C300001	
		9	S6001-06022-00	BOLT, FLANGE SH.6x22	6	Y		20061113	KMYSA4BLS7C300001	
		10	S6001-06032-00	BOLT, FLANGE SH.6x32	1	Y		20061113	KMYSA4BLS7C300001	
		11	S6001-06035-00	BOLT, FLANGE SH.6x35	1	Y		20061113	KMYSA4BLS7C300001	
		12	S6001-06045-00	BOLT, FLANGE SH.6x45	1	Y		20061113	KMYSA4BLS7C300001	

E-08

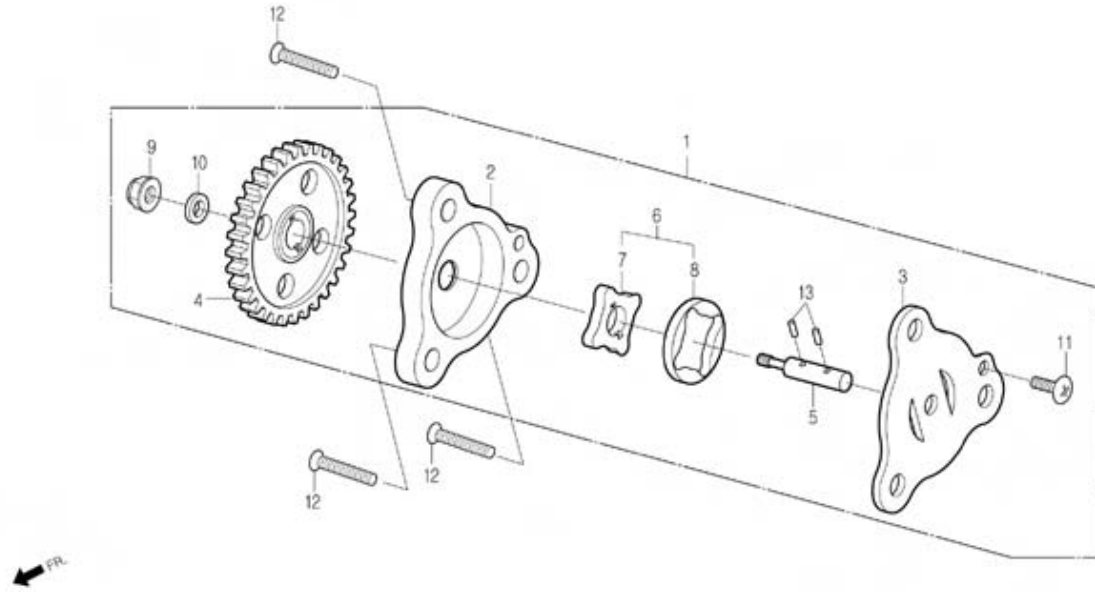
GENERATOR



Service item	FRT	Ref. No.	Part No.	Description	QTY	A/S	Exch	Start Date	Start FRM.No	End FRM.No
FAN COMP., COOLING	0.5	1	19510-SA1-0000	FAN COMP., COOLING	1	Y		20061113	KMYSA4BLS7C300001	
AC.GENERATOR ASS'Y	0.7	2	31100-SA4-R300	AC.GENERATOR ASS'Y	1	Y		20061113	KMYSA4BLS7C300001	
STATOR COMP.	0.5	3	31110-SA4-R300	FLYWHEEL COMP.	1	Y		20061113	KMYSA4BLS7C300001	
FLYWHEEL COMP.		4	31120-SA4-R300	STATOR COMP.	1	Y		20061113	KMYSA4BLS7C300001	
		5	S3500-SA1-0000-W1	SCREW, SPECIAL PAN 5x32	3	Y		20061113	KMYSA4BLS7C300001	
		6	S3500-05012-0H	SCREW, PAN 5x12	2	Y		20061113	KMYSA4BLS7C300001	
		7	S4050-12080	NUT, FLANGE 12mm	1	Y		20061113	KMYSA4BLS7C300001	
		8	S6001-06012-00	BOLT, FLANGE SH.6x12	3	Y		20061113	KMYSA4BLS7C300001	

E-09

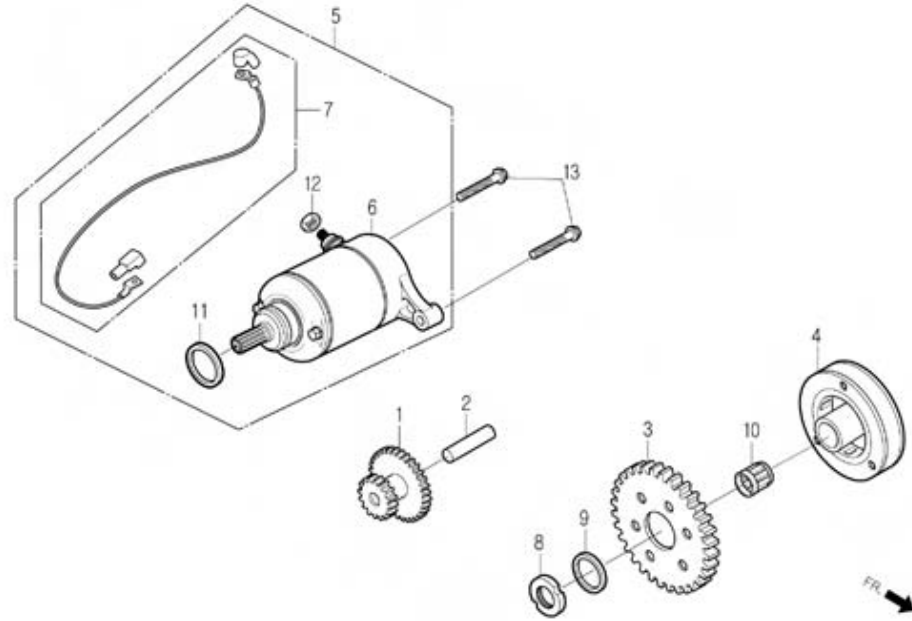
OIL PUMP



Service item	FRT	Ref. No.	Part No.	Description	QTY	A/S	Exch	Start Date	Start FRM.No	End FRM.No
BODY, OIL PUMP (INCLUDE RELATIVE PARTS)	0.9	1	15100-SA1-0100	PUMP ASS'Y, OIL	1	Y		20061113	KMYSA4BLS7C300001	
		2	15111-SA1-0000	BODY, OIL PUMP	1	N		20061113	KMYSA4BLS7C300001	
		3	15113-SA1-0000	PLATE, OIL PUMP	1	N		20061113	KMYSA4BLS7C300001	
		4	15131-SA1-0200	GEAR, OIL PUMP DRIVEN	1	Y		20061113	KMYSA4BLS7C300001	
		5	15136-SA1-0000	SHAFT, OIL PUMP	1	Y		20061113	KMYSA4BLS7C300001	
		6	1533A-SA1-0000	ROTOR ASS'Y, OIL PUMP	1	Y		20061113	KMYSA4BLS7C300001	
		7	15331-SA1-0000	ROTOR, OIL PUMP INNER	1	N		20061113	KMYSA4BLS7C300001	
		8	15332-SA1-0000	ROTOR, OIL PUMP OUTER	1	N		20061113	KMYSA4BLS7C300001	
		9	90301-BA6-0032	NUT, U 6mm	1	N		20061113	KMYSA4BLS7C300001	
		10	90417-CB2-0002	WASHER, SHIFT DRUM SIDE	1	N		20061113	KMYSA4BLS7C300001	
		11	S3500-04010-0A	SCREW, PAN 4x10	1	N		20061113	KMYSA4BLS7C300001	
		12	S3600-06032-1A	SCREW, FLAT 6x32	3	Y		20061113	KMYSA4BLS7C300001	
		13	S6220-25118	ROLLER 2.5x11.8	2	Y		20061113	KMYSA4BLS7C300001	

E-10

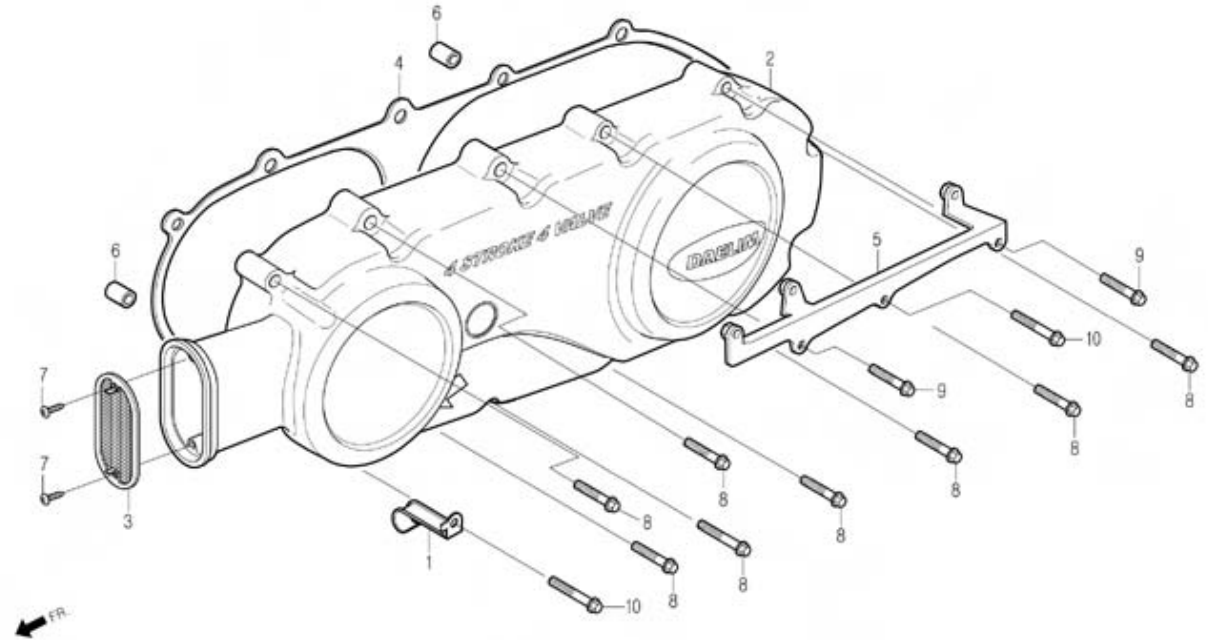
STARTER MOTOR



Service item	FRT	Ref. No.	Part No.	Description	QTY	A/S	Exch	Start Date	Start FRM.No	End FRM.No
GEAR COMP., STARTER DRIVEN =GEAR, STARTER REDUCTION MOTOR UNIT, STARTER CABLE, STARTER MOTOR ONEWAY CLUTCH SET, STARTER (INCLUDE RELATIVE PARTS)	0.9	1	28101-SA2-0001	GEAR, STARTER REDUCTION	1	Y		20061113	KMYSA4BLS7C300001	
	0.4	2	28102-SA1-0000	SHAFT, REDUCTION GEAR	1	Y		20061113	KMYSA4BLS7C300001	
	0.5	3	28110-SA2-0000	GEAR COMP., STARTER DRIVEN	1	Y		20061113	KMYSA4BLS7C300001	
	1.1	4	2812A-SA1-0031	ONEWAY CLUTCH SET, STARTER(LS)	1	Y		20061113	KMYSA4BLS7C300001	
		5	31200-SA4-0001	MOTOR ASS'Y, STARTER	1	Y		20061113	KMYSA4BLS7C300001	
		6	31210-SA2-0000	MOTOR UNIT, STARTER	1	N		20061113	KMYSA4BLS7C300001	
		7	32410-SA4-0001	CABLE, STARTER MOTOR	1	Y		20061113	KMYSA4BLS7C300001	
		8	90201-SA0-0002	NUT, LOCK 22mm	1	Y		20061113	KMYSA4BLS7C300001	
		9	90403-SA0-0100	WASHER, THRUST 22.0x31x2	1	Y		20061113	KMYSA4BLS7C300001	
		10	91104-SA0-0001-M1	BEARING, NEEDLE K28x32x17SV1	1	Y		20061113	KMYSA4BLS7C300001	
		11	91309-BA6-0030	O-RING 24.4x3.1	1	Y		20061113	KMYSA4BLS7C300001	
		12	S4002-06080-0S	NUT, HEX 6mm(Y)	1	Y		20061113	KMYSA4BLS7C300001	
		13	S6001-06055-00	BOLT, FLANGE SH.6x55	2	Y		20061113	KMYSA4BLS7C300001	

E-11

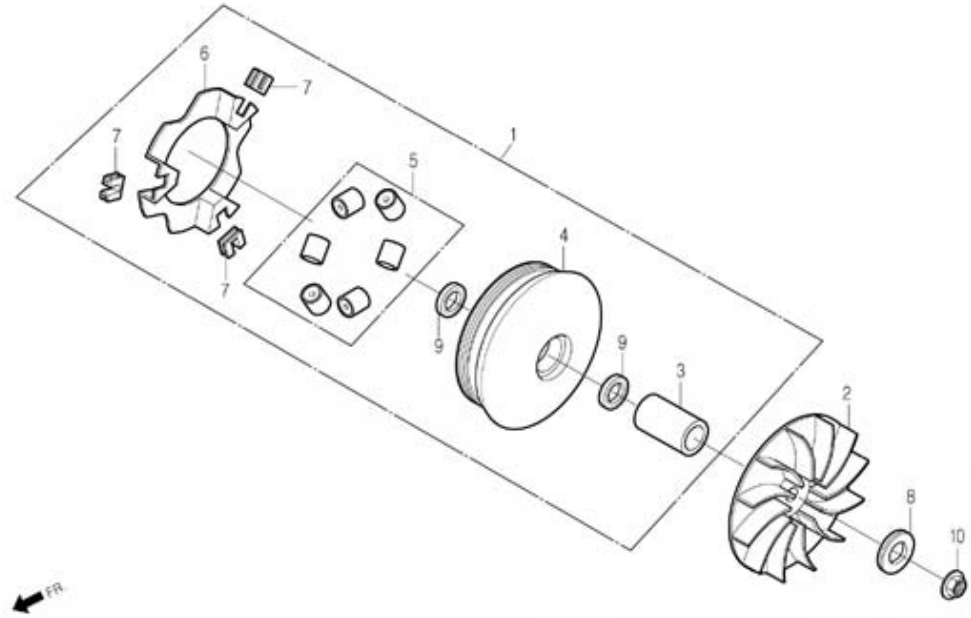
LEFT CRANK CASE COVER



Service item	FRT	Ref. No.	Part No.	Description	QTY	A/S	Exch	Start Date	Start FRM.No	End FRM.No
COVER ASS'Y, LH.CRANK CASE GASKET, LH.COVER	0.5	1	11332-BA7-9000	CLAMPER, BREATHER TUBE	1	Y		20061113	KMYSA4BLS7C300001	
	0.6	2	11340-SA2-0000	COVER ASS'Y, LH.CRANK CASE	1	Y		20061113	KMYSA4BLS7C300001	
		3	11342-SA1-0000	SCREEN, AIR FILTER	1	Y		20061113	KMYSA4BLS7C300001	
		4	11396-SA1-0100-EU	GASKET, LH.COVER	1	Y		20061113	KMYSA4BLS7C300001	
		5	17208-SA4-0001	STAY COMP., AIR CLEANER A	1	Y		20061113	KMYSA4BLS7C300001	
		6	90701-CB2-0002	PIN, SPECIAL DOWEL 8x14	2	Y		20061113	KMYSA4BLS7C300001	
		7	S3903-34120	SCREW, TAPPING 4x8	2	Y		20061113	KMYSA4BLS7C300001	
		8	S6001-06040-00	BOLT, FLANGE SH.6x40	8	Y		20061113	KMYSA4BLS7C300001	
		9	S6001-06045-00	BOLT, FLANGE SH.6x45	2	Y		20061113	KMYSA4BLS7C300001	
		10	S6001-06050-00	BOLT, FLANGE SH.6x50	2	Y		20061113	KMYSA4BLS7C300001	

E-12

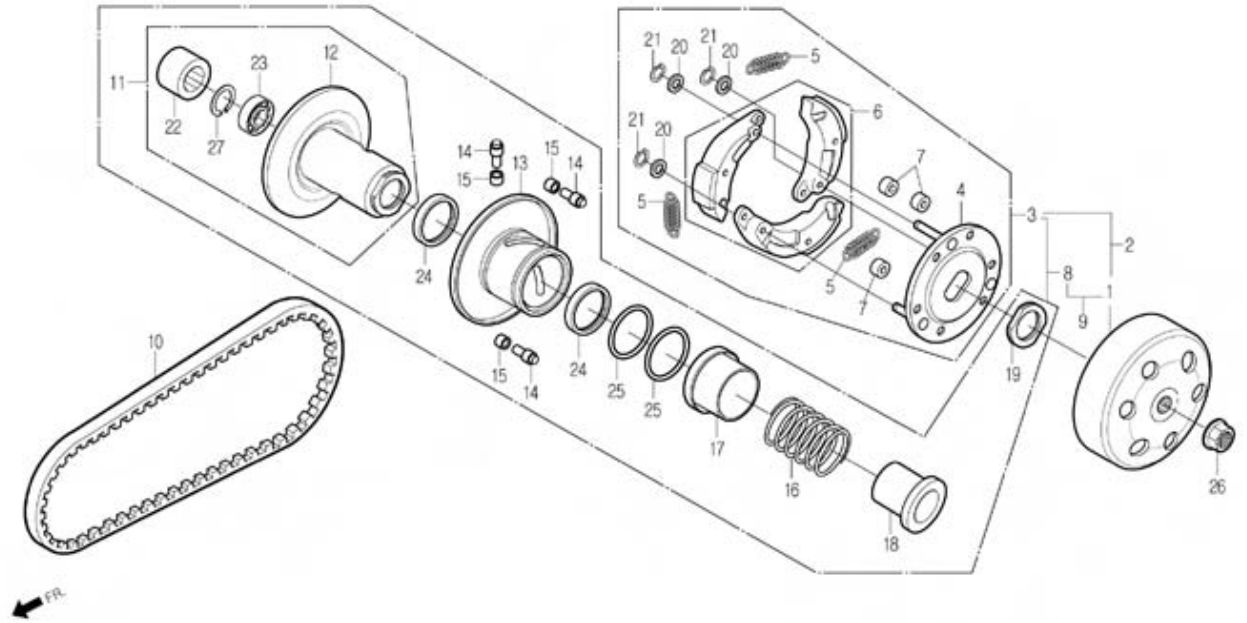
DRIVE FACE



Service item	FRT	Ref. No.	Part No.	Description	QTY	A/S	Exch	Start Date	Start FRM.No	End FRM.No
FACE, DRIVE FACE COMP., MOVABLE DRIVE ROLLER COMP., WEIGHT (ONE OR ALL) (INCLUDE RELATIVE PARTS)	0.5	1	2210A-SA4-0000	FACE ASS'Y, MOVABLE DRIVE	1	Y		20061113	KMYSA4BLS7C300001	
	0.9	2	22102-SA1-0010	FACE, DRIVE	1	Y		20061113	KMYSA4BLS7C300001	
	0.8	3	22105-SA4-0000	BOSS, DRIVE FACE	1	N		20061113	KMYSA4BLS7C300001	
		4	22110-SA1-0200	FACE COMP., MOVABLE DRIVE	1	N		20061113	KMYSA4BLS7C300001	
		5	22121-SA1-0102-EU	ROLLER COMP., WEIGHT 12g	6	Y		20061113	KMYSA4BLS7C300001	
		6	22131-SA1-0200	PLATE, RAMP	1	Y		20061113	KMYSA4BLS7C300001	
		7	22132-SA1-0200	PIECE, SLIDE	3	Y		20061113	KMYSA4BLS7C300001	
		8	42312-BA7-0000	COLLAR, RR.AXLE	1	Y		20061113	KMYSA4BLS7C300001	
		9	91212-SA1-0000	SEAL, OIL 24x31x3	2	Y		20061113	KMYSA4BLS7C300001	
		10	S4050-12080	NUT, FLANGE 12mm	1	Y		20061113	KMYSA4BLS7C300001	

E-13

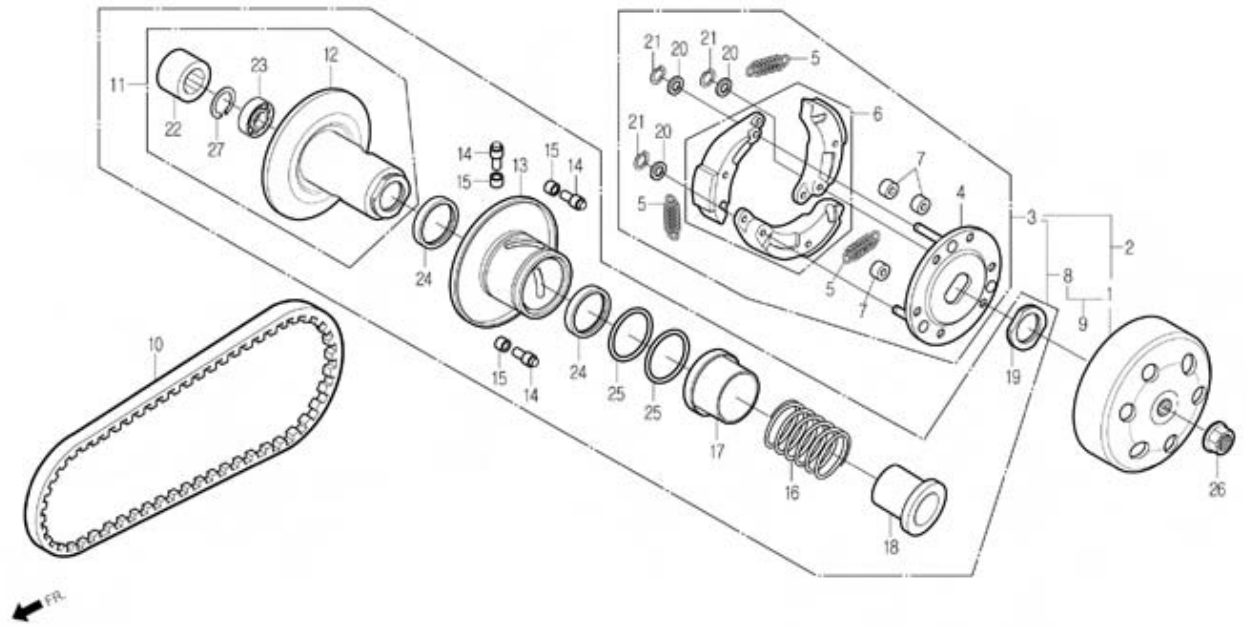
DRIVEN FACE



Service item	FRT	Ref. No.	Part No.	Description	QTY	A/S	Exch	Start Date	Start FRM.No	End FRM.No
OUTER, CLUTCH	0.5	1	22100-SA2-0000	OUTER, CLUTCH	1	Y		20061113	KMYSA4BLS7C300001	
WEIGHT SET, CLUTCH	0.9	2	2230A-SA2-0000	PLATE UNIT, DRIVE	1	Y		20061113	KMYSA4BLS7C300001	
(INCLUDE RELATIVE PARTS)	0.6	3	22300-SA2-0000	PLATE ASS'Y, DRIVE	1	Y		20061113	KMYSA4BLS7C300001	
FACE COMP., MOVABLE DRIVEN	0.8	4	22350-SA1-0001	PLATE COMP., DRIVE	1	N		20061113	KMYSA4BLS7C300001	
(INCLUDE RELATIVE PARTS)	0.5	5	22401-SA1-0000	SPRING, CLUTCH	3	N		20061113	KMYSA4BLS7C300001	
BELT, DRIVE		10	23100-SA1-0000	BELT, DRIVE	1	Y		20061113	KMYSA4BLS7C300001	
FACE ASS'Y, DRIVEN		11	23200-SA2-0010	FACE ASS'Y, DRIVEN	1	Y		20061113	KMYSA4BLS7C300001	
BEARING, RADIAL BALL 6902U		12	23210-SA2-0010	FACE COMP., DRIVEN	1	N		20061113	KMYSA4BLS7C300001	
BEARING, NEEDLE 22x19x18		13	23220-SA2-0010	FACE COMP., MOVABLE DRIVEN	1	N		20061113	KMYSA4BLS7C300001	
PULLEY SUB ASS'Y, DRIVEN		8	2301A-SA2-0030	PULLEY SUB ASS'Y, DRIVEN	1	Y		20061113	KMYSA4BLS7C300001	
		9	23010-SA2-0031	PULLEY ASS'Y, DRIVEN	1	Y		20061113	KMYSA4BLS7C300001	
		14	23225-SA2-0000	PIN, ROLLER GUIDE	3	N		20061113	KMYSA4BLS7C300001	
		15	23226-SC1-0000	ROLLER, GUIDE	3	Y		20061113	KMYSA4BLS7C300001	
		16	23233-SA2-0000	SPRING, DRIVEN FACE	1	Y		20061113	KMYSA4BLS7C300001	
		17	23237-SA0-0000	COLLAR, SEAL	1	N		20061113	KMYSA4BLS7C300001	
		18	23238-SE5-0104	COLLAR, SPRING	1	N		20061113	KMYSA4BLS7C300001	
		19	90202-SE5-0001	NUT, SPECIAL 28mm	1	Y		20061113	KMYSA4BLS7C300001	
		20	90442-CB2-9100	WASHER, THRUST 8mm	3	N		20061113	KMYSA4BLS7C300001	
		21	90605-SA0-0001	CIR CLIP 9mm	3	N		20061113	KMYSA4BLS7C300001	

E-13

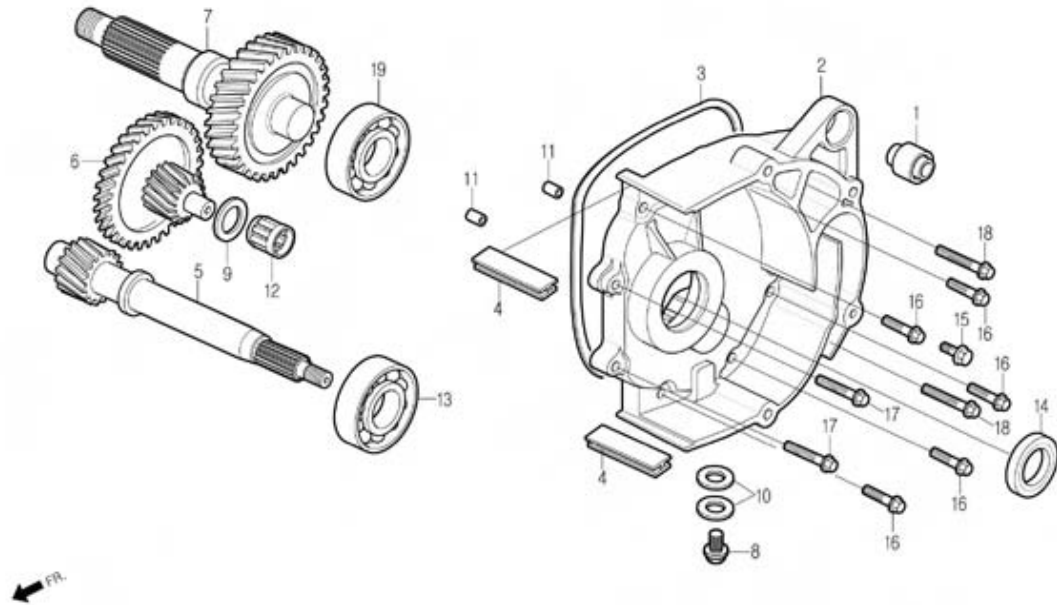
DRIVEN FACE



Service item	FRT	Ref. No.	Part No.	Description	QTY	A/S	Exch	Start Date	Start FRM.No	End FRM.No
		22	91001-SA1-0000	BEARING, NEEDLE	1	N		20061113	KMYSA4BLS7C300001	
		23	91004-SA0-0020-M1	BEARING, RADIAL BALL 6902U	1	N		20061113	KMYSA4BLS7C300001	
		24	91211-SE5-0130	SEAL, OIL 34x39x3	2	Y		20061113	KMYSA4BLS7C300001	
		25	91351-SE5-1000	O-RING 38.5x2	2	Y		20061113	KMYSA4BLS7C300001	
		26	S4050-12080	NUT, FLANGE 12mm	1	Y		20061113	KMYSA4BLS7C300001	
		27	S4520-28000	CIR CLIP, INTERNAL 28mm	1	N		20061113	KMYSA4BLS7C300001	

E-14

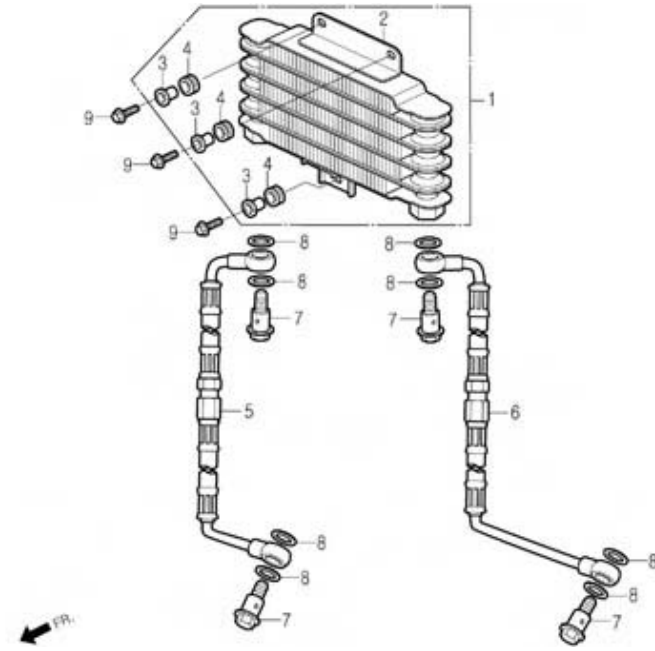
TRANSMISSION



Service item	FRT	Ref. No.	Part No.	Description	QTY	A/S	Exch	Start Date	Start FRM.No	End FRM.No
COVER, TRANSMISSION	0.8	1	11204-SA1-0000	BUSH, RR.CUSHION UNDER RUBBER	1	Y		20061113	KMYSA4BLS7C300001	
SEAL, MISSION COVER	0.8	2	21301-SA1-0101	COVER, TRANSMISSION	1	Y		20061113	KMYSA4BLS7C300001	
SEAL, OIL 22x39x7	0.9	3	21395-SA1-0000	SEAL, MISSION COVER	1	Y		20061113	KMYSA4BLS7C300001	
SHAFT, DRIVE	0.9	4	21396-SA1-0000	GUIDE RUBBER, MISSION COVER	2	Y		20061113	KMYSA4BLS7C300001	
SHAFT COMP., COUNTER		5	23411-SA1-0120	SHAFT, DRIVE(13T)	1	Y		20061113	KMYSA4BLS7C300001	
BEARING, RADIAL BALL 6302		6	23420-SA1-0000-EU	SHAFT COMP., COUNTER(14T)	1	Y		20061113	KMYSA4BLS7C300001	
BEARING, RADIAL BALL 63/22		7	23430-SA2-0010	SHAFT COMP., FINAL	1	Y		20061113	KMYSA4BLS7C300001	
SHAFT COMP., FINAL		8	90103-SA0-0000	BOLT, SPECIAL 8mm	1	Y		20061113	KMYSA4BLS7C300001	
		9	90451-BA6-0002	WASHER, THRUST 15mm	1	Y		20061113	KMYSA4BLS7C300001	
		10	90474-SA0-0000	WASHER, DRAIN PLUG 8.2x16.2	2	Y		20061113	KMYSA4BLS7C300001	
		11	90701-CB2-0002	PIN, SPECIAL DOWEL 8x14	2	Y		20061113	KMYSA4BLS7C300001	
		12	91002-SA1-0000	BEARING, NEEDLE 15x25x12	1	Y		20061113	KMYSA4BLS7C300001	
		13	91003-SA1-0100	BEARING, RADIAL BALL 63/22 TMB	1	Y		20061113	KMYSA4BLS7C300001	
		14	91203-SA1-0000	SEAL, OIL 22x39x7	1	Y		20061113	KMYSA4BLS7C300001	
		15	S5701-08016-08	BOLT, FLANGE 8x16	1	Y		20061113	KMYSA4BLS7C300001	
		16	S6001-06028-00	BOLT, FLANGE SH.6x28	5	Y		20061113	KMYSA4BLS7C300001	
		17	S6001-06035-00	BOLT, FLANGE SH.6x35	2	Y		20061113	KMYSA4BLS7C300001	
		18	S6001-06045-00	BOLT, FLANGE SH.6x45	2	Y		20061113	KMYSA4BLS7C300001	
		19	S6100-63020-00	BEARING, BALL 6302	1	Y		20061113	KMYSA4BLS7C300001	

E-15

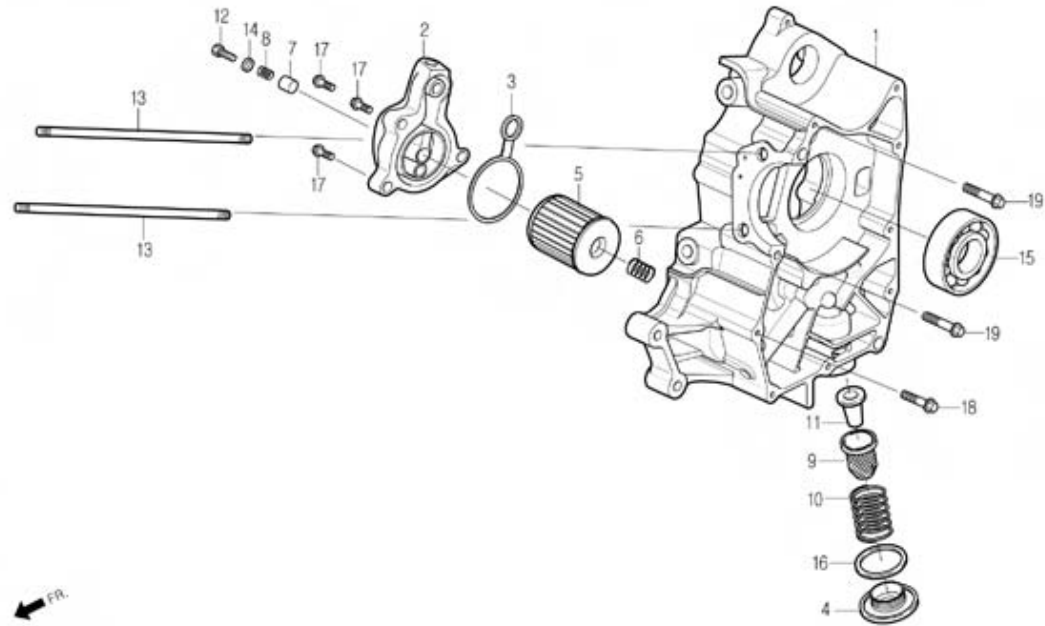
RADIATOR / RADIATOR HOSE



Service item	FRT	Ref. No.	Part No.	Description	QTY	A/S	Exch	Start Date	Start FRM.No	End FRM.No
RADIATOR ASS'Y, OIL	0.6	1	1901A-SA1-0101	RADIATOR ASS'Y, OIL	1	Y		20061113	KMYSA4BLS7C300001	
HOSE ASS'Y, RADIATOR RH.	1.0	2	19010-SA1-0103	RADIATOR COMP., OIL	1	N		20061113	KMYSA4BLS7C300001	
HOSE ASS'Y, RADIATOR LH.	1.0	3	19011-SA1-0000	COLLAR, RADIATOR	3	Y		20061113	KMYSA4BLS7C300001	
		4	19012-SA1-0100	RUBBER, RADIATOR	3	Y		20061113	KMYSA4BLS7C300001	
		5	19100-SA2-0002-M2	HOSE ASS'Y, RADIATOR RH.	1	Y		20061113	KMYSA4BLS7C300001	
		6	19200-SA4-0000-M2	HOSE ASS'Y, RADIATOR LH.	1	Y		20061113	KMYSA4BLS7C300001	
		7	90145-SA1-0002	BOLT, OIL THROUGH 12mm	4	Y		20061113	KMYSA4BLS7C300001	
		8	90407-BA6-0002	PACKING, DRAIN COCK 12.5x20	8	Y		20061113	KMYSA4BLS7C300001	
		9	S5701-06018-08	BOLT, FLANGE 6x18	3	Y		20061113	KMYSA4BLS7C300001	

E-16

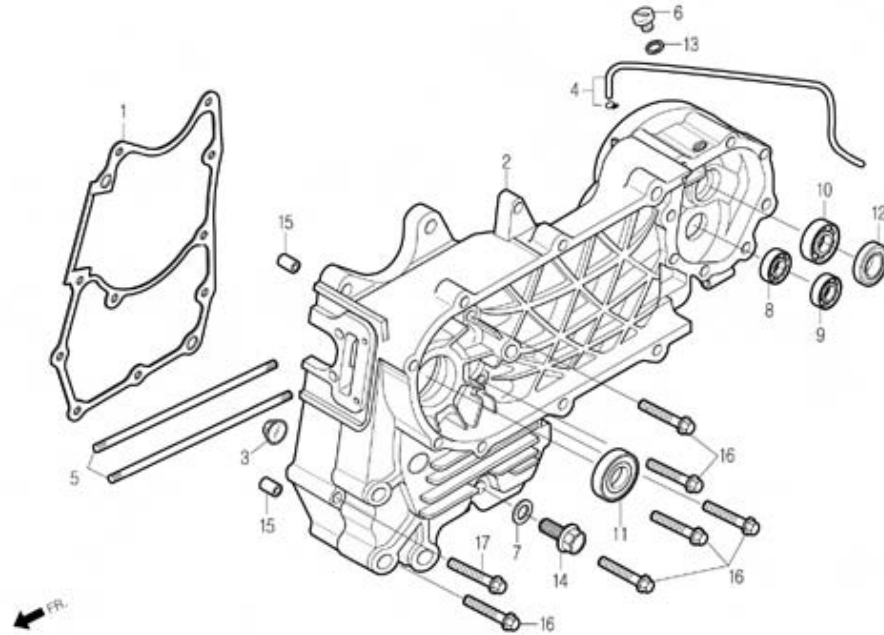
RIGHT CRANK CASE



Service item	FRT	Ref. No.	Part No.	Description	QTY	A/S	Exch	Start Date	Start FRM.No	End FRM.No
CASE COMP., RH.CRANK COVER COMP., OIL FILTER ELEMENT, OIL FILTER SEAL, OIL FILTER SCREEN, OIL FILTER (INCLUDE RELATIVE PARTS)	*4.0	1	11100-SA2-0010	CASE COMP., RH.CRANK	1	Y		20061113	KMYSA4BLS7C300001	
	0.5	2	11333-SA1-0102	COVER COMP., OIL FILTER	1	Y		20061113	KMYSA4BLS7C300001	
	0.2	3	11335-SA1-0000	SEAL, OIL FILTER	1	Y		20061113	KMYSA4BLS7C300001	
		4	12361-SA0-0000	CAP, TAPPET ADJUSTING HOLE	1	Y		20061113	KMYSA4BLS7C300001	
		5	15412-SA1-0001	ELEMENT, OIL FILTER	1	Y		20061113	KMYSA4BLS7C300001	
		6	15414-BA6-9600	SPRING, OIL FILTER	1	Y		20061113	KMYSA4BLS7C300001	
		7	15415-SA1-0001	VALVE, RELIEF	1	Y		20061113	KMYSA4BLS7C300001	
		8	15416-SA1-0000	SPRING, RELIEF VALVE	1	Y		20061113	KMYSA4BLS7C300001	
		9	15421-BA6-0001	SCREEN, OIL FILTER	1	Y		20061113	KMYSA4BLS7C300001	
		10	15426-SA1-0000	SPRING, OIL FILTER SCREEN	1	Y		20061113	KMYSA4BLS7C300001	
		11	15652-SA1-0001	COLLAR, OIL PICK UP	1	Y		20061113	KMYSA4BLS7C300001	
		12	90009-SA1-0001	BOLT, SOCKET 12mm	1	Y		20061113	KMYSA4BLS7C300001	
		13	90031-SA1-0101	BOLT, CYLINDER STUD	2	Y		20061113	KMYSA4BLS7C300001	
		14	90443-SA1-0001	WASHER, SELING 12mm	1	Y		20061113	KMYSA4BLS7C300001	
		15	91004-X10-0010	BEARING, RADIAL BALL 6305	1	Y		20061113	KMYSA4BLS7C300001	
		16	91302-CB2-0205	O-RING 30.8mm	1	Y		20061113	KMYSA4BLS7C300001	
		17	S6001-06022-00	BOLT, FLANGE SH.6x22	3	Y		20061113	KMYSA4BLS7C300001	
		18	S6001-06040-00	BOLT, FLANGE SH.6x40	1	Y		20061113	KMYSA4BLS7C300001	
		19	S6001-06065-00	BOLT, FLANGE SH.6x65	2	Y		20061113	KMYSA4BLS7C300001	

E-17

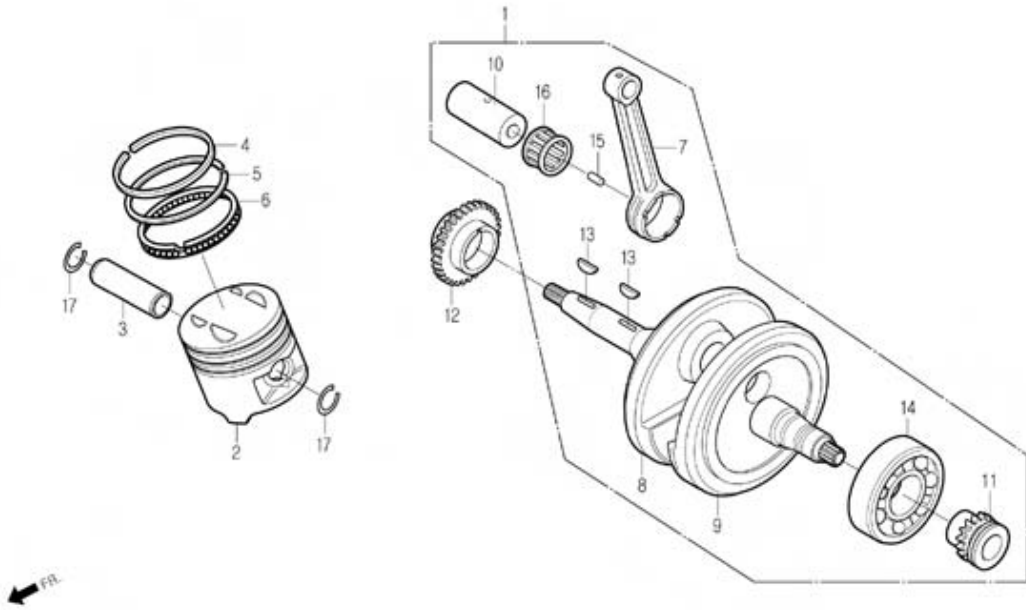
LEFT CRANK CASE



Service item	FRT	Ref. No.	Part No.	Description	QTY	A/S	Exch	Start Date	Start FRM.No	End FRM.No
CASE COMP., LH.CRANK	*4.5	1	11191-SA1-0000-EU	GASKET, CRANK CASE	1	Y		20061113	KMYSA4BLS7C300001	
BEARING, RADIAL BALL 6004UU	*4.5	2	11200-SA2-0010	CASE COMP., LH.CRANK	1	Y		20061113	KMYSA4BLS7C300001	
SEAL, OIL 25x42x7	*4.5	3	11210-SA1-0000	GLASS COMP., OIL SIGHT	1	Y		20061113	KMYSA4BLS7C300001	
SEAL, OIL 30x42x7	*4.5	4	1122A-SA4-0000	TUBE ASS'Y, BREATHER	1	Y		20061113	KMYSA4BLS7C300001	
BEARING, RADIAL BALL 6201 TMB		5	90031-SA1-0101	BOLT, CYLINDER STUD	2	Y		20061113	KMYSA4BLS7C300001	
BEARING, RADIAL BALL 6303 TMB		6	90084-CB2-8300	CAP, AC.GENERATOR	1	Y		20061113	KMYSA4BLS7C300001	
		7	90407-BA6-0002	PACKING, DRAIN COCK 12.5x20	1	Y		20061113	KMYSA4BLS7C300001	
		8	91003-SA0-0001	BEARING, RADIAL BALL 6301 TMB	1	Y		20061113	KMYSA4BLS7C300001	
		9	91004-SC1-7010-M1	BEARING, RADIAL BALL 6203 TMB	1	Y		20061113	KMYSA4BLS7C300001	
		10	91009-SC1-0030	BEARING, RADIAL BALL 6004UU	1	Y		20061113	KMYSA4BLS7C300001	
		11	91202-SA1-0100	SEAL, OIL 25x42x7	1	Y		20061113	KMYSA4BLS7C300001	
		12	91204-SA1-0000	SEAL, OIL 30x42x7	1	Y		20061113	KMYSA4BLS7C300001	
		13	91303-CB2-1000	O-RING 13.8x2.5	1	Y		20061113	KMYSA4BLS7C300001	
		14	S2800-12000	BOLT, DRAIN PLUG 12mm	1	Y		20061113	KMYSA4BLS7C300001	
		15	S4301-10160	PIN, DOWEL 10x16	2	Y		20061113	KMYSA4BLS7C300001	
		16	S6001-06065-00	BOLT, FLANGE SH.6x65	6	Y		20061113	KMYSA4BLS7C300001	
		17	S6001-06070-00	BOLT, FLANGE SH.6x70	1	Y		20061113	KMYSA4BLS7C300001	

E-18

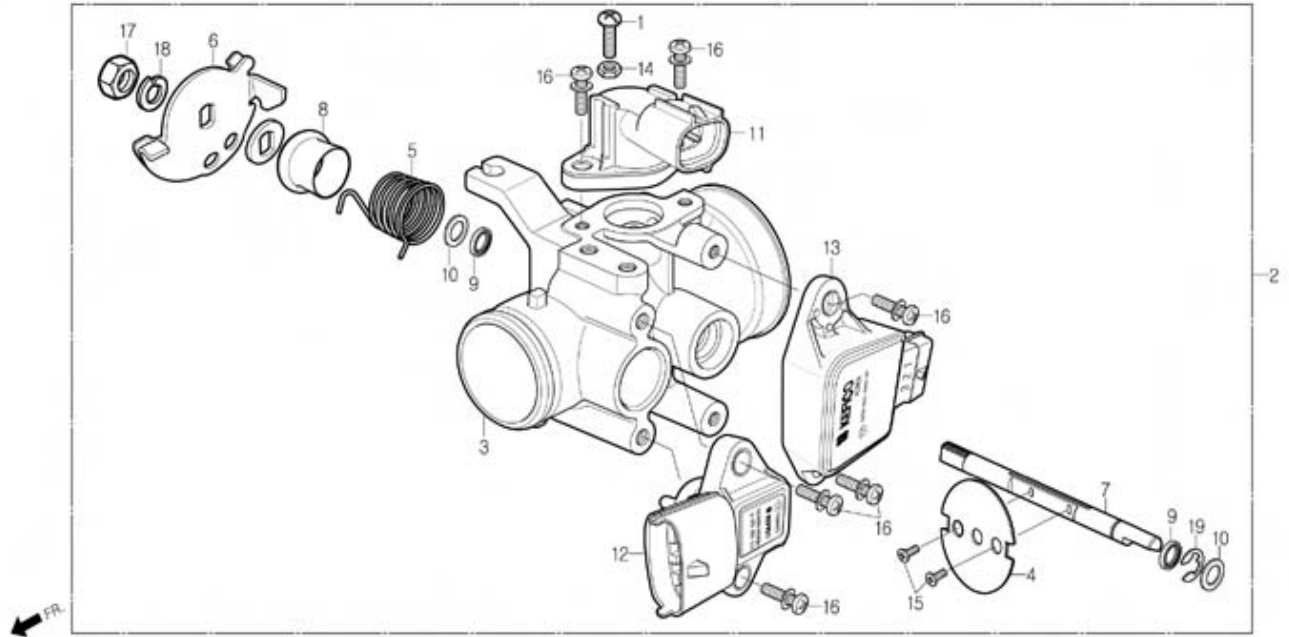
CRANK SHAFT / PISTON



Service item	FRT	Ref. No.	Part No.	Description	QTY	A/S	Exch	Start Date	Start FRM.No	End FRM.No
SHAFT COMP., CRANK =SHAFT, CRANK RING SET, PISTON =PISTON =PIN, PISTON =ROD, CONNECTING (INCLUDE RELATIVE PARTS) BEARING, RADIAL BALL 6305	*4.0	1	13000-SA4-0010	SHAFT COMP., CRANK	1	Y		20061113	KMYSA4BLS7C300001	
	*3.0	2	13101-SA1-0100	PISTON	1	Y		20061113	KMYSA4BLS7C300001	
	*4.5	3	13111-BA6-9300	PIN, PISTON	1	Y		20061113	KMYSA4BLS7C300001	
		4	13121-SA1-0000	RING, PISTON TOP	1	Y		20061113	KMYSA4BLS7C300001	
		5	13131-SA1-0000	RING, PISTON 2ND	1	Y		20061113	KMYSA4BLS7C300001	
		6	13141-SA1-0000	RING, PISTON OIL	1	Y		20061113	KMYSA4BLS7C300001	
		7	13201-SA1-0100-H1	ROD, CONNECTING	1	N		20061113	KMYSA4BLS7C300001	
		8	13310-SA1-0100-H1	SHAFT COMP., RH.CRANK	1	N		20061113	KMYSA4BLS7C300001	
		9	13321-SA1-0201-H1	SHAFT, LH.CRANK	1	N		20061113	KMYSA4BLS7C300001	
		10	13381-SA1-0100-H1	PIN, CRANK	1	N		20061113	KMYSA4BLS7C300001	
		11	14311-SA4-0000-H1	SPROCKET, TIMMING	1	Y		20061113	KMYSA4BLS7C300001	
		12	15133-SA1-0100-M1	GEAR, OIL PUMP DRIVE	1	Y		20061113	KMYSA4BLS7C300001	
		13	90741-BA6-9600	KEY, WOODRUFF 25x14x4	2	Y		20061113	KMYSA4BLS7C300001	
		14	91001-SA2-0000	BEARING, RADIAL BALL 6305	1	Y		20061113	KMYSA4BLS7C300001	
		15	91102-BA6-0030	ROLLER 4x14.8A	18	N		20061113	KMYSA4BLS7C300001	
	16	91105-BA6-0031	RETAINER, CONROD LARGE END	1	N		20061113	KMYSA4BLS7C300001		
	17	S4601-15000	CLIP, PISTON PIN 15mm	2	Y		20061113	KMYSA4BLS7C300001		

E-19

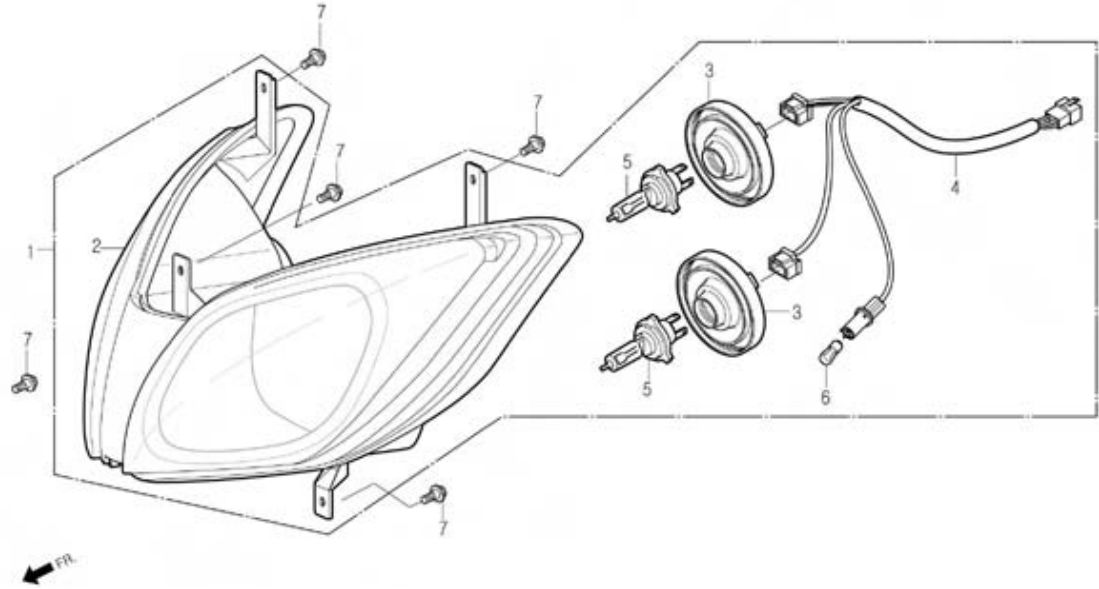
THROTTLE BODY



Service item	FRT	Ref. No.	Part No.	Description	QTY	A/S	Exch	Start Date	Start FRM.No	End FRM.No
		1	16037-BA1-R300	SCREW, ADJUST	1	N		20061113	KMYSA4BLS7C300001	
		2	1620A-SA4-R300	BODY ASS'Y, THROTTLE	1	Y		20061113	KMYSA4BLS7C300001	
		3	16200-SA4-R300	BODY COMP., THROTTLE	1	N		20061113	KMYSA4BLS7C300001	
		4	16202-BA1-R300	VALVE, THROTTLE	1	N		20061113	KMYSA4BLS7C300001	
		5	16203-BA1-R300	SPRING, THROTTLE RETURN	1	N		20061113	KMYSA4BLS7C300001	
		6	16204-BA1-R300	LEVER COMP., THROTTLE	1	N		20061113	KMYSA4BLS7C300001	
		7	16205-SA4-R300	SHAFT, THROTTLE	1	N		20061113	KMYSA4BLS7C300001	
		8	16206-BA1-R300	COLLAR, THROTTLE RETURN SPG.	1	N		20061113	KMYSA4BLS7C300001	
		9	16207-BA1-R300	SEAL, OIL	2	N		20061113	KMYSA4BLS7C300001	
		10	16208-BA1-R300	COLLAR, SIDE	2	N		20061113	KMYSA4BLS7C300001	
		11	16220-BA1-R300-M1	ACTUATOR, IDLE SPEED	1	Y		20061113	KMYSA4BLS7C300001	
		12	16230-BA1-R300-M1	SENSOR, THROTTLE POSITION	1	Y		20061113	KMYSA4BLS7C300001	
		13	16240-BA1-R300-M1	SENSOR, MAP & AT	1	Y		20061113	KMYSA4BLS7C300001	
		14	90206-CB2-0007	NUT, TAPPET ADJUSTING	1	N		20061113	KMYSA4BLS7C300001	
		15	S3600-03005	SCREW, FLAT 3x5	2	N		20061113	KMYSA4BLS7C300001	
		16	S3893-04012-18	SCREW, WASHER 4x12	6	N		20061113	KMYSA4BLS7C300001	
		17	S4001-08000-0S	NUT, HEX 8mm	1	N		20061113	KMYSA4BLS7C300001	
		18	S4111-08800	WASHER, SPRING 8mm	1	N		20061113	KMYSA4BLS7C300001	
		19	S4540-06018	E-RING, 6mm	1	N		20061113	KMYSA4BLS7C300001	

F-01

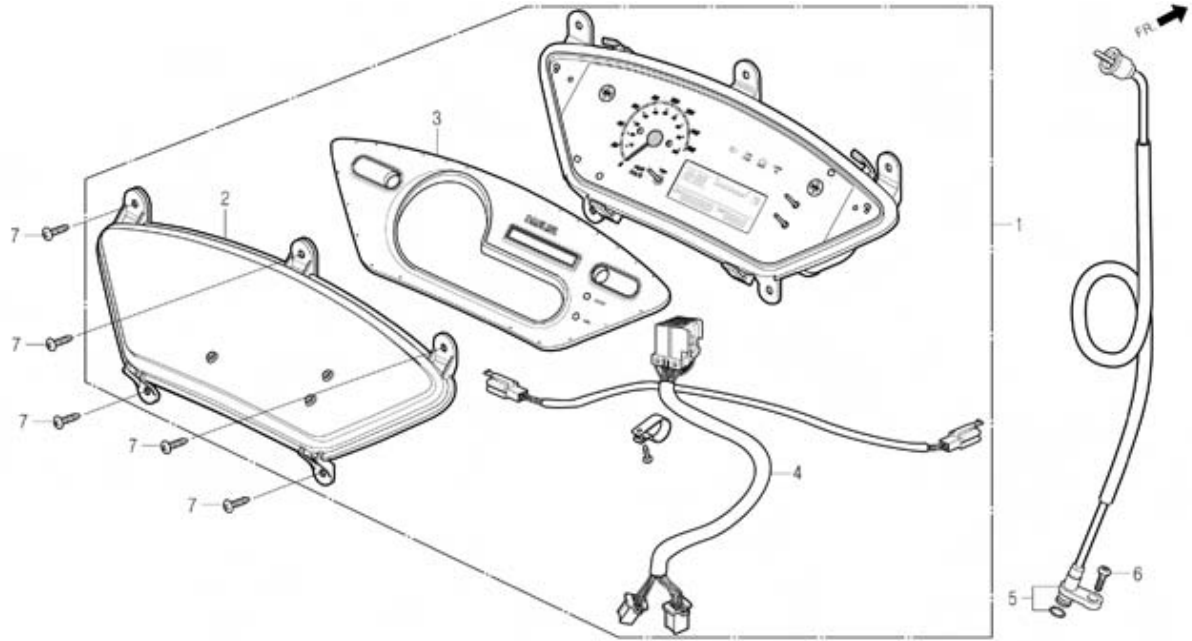
Headlight



Service item	FRT	Ref. No.	Part No.	Description	QTY	A/S	Exch	Start Date	Start FRM.No	End FRM.No
HEADLIGHT ASS'Y, BULB, HEADLIGHT(12V 55W) SOCKET COMP., HEADLIGHT	0.6	1	33100-SZ1-0000-M1	HEADLIGHT ASS'Y	1	Y		20061113	KMYSA4BLS7C300001	
	0.5	2	33110-SZ1-0000	UNIT, HEADLIGHT	1	N		20061113	KMYSA4BLS7C300001	
		3	33116-SZ1-0000	COVER, DUST	2	N		20061113	KMYSA4BLS7C300001	
		4	33130-SZ1-0000-M1	SOCKET COMP., HEADLIGHT	1	N		20061113	KMYSA4BLS7C300001	
		5	34901-SZ1-0000	BULB, HEADLIGHT(12V 55W)	2	Y		20061113	KMYSA4BLS7C300001	
		6	34902-SA1-RB00	BULB, WEDGE BASE(12V 5W)	1	Y		20061113	KMYSA4BLS7C300001	
		7	90111-SE5-1000	BOLT, FLANGE 6mm	5	Y		20061113	KMYSA4BLS7C300001	

F-02

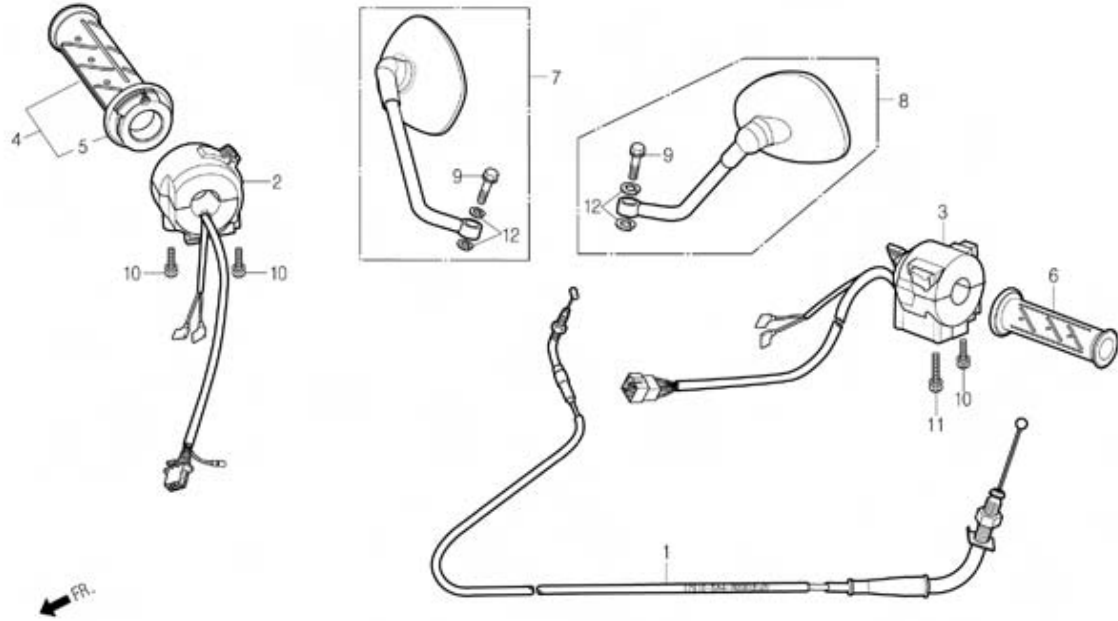
Speedometer



Service item	FRT	Ref. No.	Part No.	Description	QTY	A/S	Exch	Start Date	Start FRM.No	End FRM.No
METER ASS'Y, COMBINATION	0.6	1	37100-SA4-R300-M1	METER ASS'Y, COMBINATION	1	Y		20061113	KMYSA4BLS7C300001	
LENS, METER	0.6	2	37202-SA4-R300	FRONT ACRYL	1	N		20061113	KMYSA4BLS7C300001	
WIRING ASS'Y	0.8	3	37212-SA4-R300	WINDOW PLATE	1	N		20061113	KMYSA4BLS7C300001	
CABLE COMP., SPEEDOMETER	0.4	4	37223-SA4-R300	WIRING ASS'Y	1	N		20061113	KMYSA4BLS7C300001	
		5	44830-SZ1-0010	CABLE COMP., SPEEDOMETER	1	Y		20061113	KMYSA4BLS7C300001	
		6	S3700-05016-0G	SCREW, OVAL 5x16	1	Y		20061113	KMYSA4BLS7C300001	
		7	S3903-25380	SCREW, TAPPING 5x16	5	Y		20061113	KMYSA4BLS7C300001	

F-03

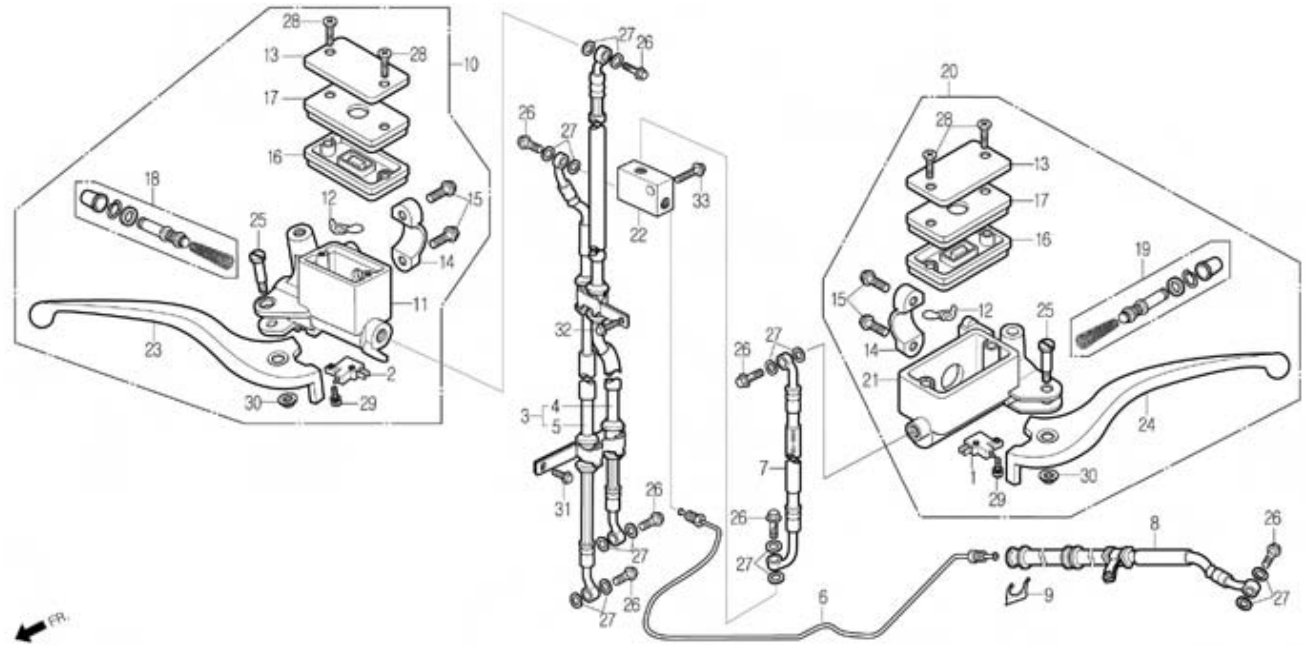
Handle Grip / Switch / Cable



Service item	FRT	Ref. No.	Part No.	Description	QTY	A/S	Exch	Start Date	Start FRM.No	End FRM.No
CABLE COMP., THROTTLE	1.0	1	17910-SA4-R300	CABLE COMP., THROTTLE	1	Y		20061113	KMYSA4BLS7C300001	
SWITCH ASS'Y, LIGHTING START	0.4	2	35150-SZ1-RB10-M1	SWITCH ASS'Y, LIGHTING START	1	Y		20061113	KMYSA4BLS7C300001	
SWITCH ASS'Y, WINKER	0.4	3	35200-SZ1-0000	SWITCH ASS'Y, WINKER	1	Y		20061113	KMYSA4BLS7C300001	
GRIP COMP., RH.	0.4	4	53140-SZ1-0000	GRIP COMP., RH.	1	Y		20061113	KMYSA4BLS7C300001	
GRIP, LH.HANDLE	0.3	4	53140-SZ1-0000	GRIP COMP., RH.	1	Y		20061113	KMYSA4BLS7C300001	
MIRROR, BACK	0.2	5	53141-SZ1-0000	PIPE, THROTTLE GRIP	1	N		20061113	KMYSA4BLS7C300001	
		6	53166-BA4-0000	GRIP, LH.HANDLE	1	Y		20061113	KMYSA4BLS7C300001	
		7	88110-SZ1-0002	MIRROR ASS'Y, RH.BACK	1	Y		20061113	KMYSA4BLS7C300001	
		8	88120-SZ1-0002	MIRROR ASS'Y, LH.BACK	1	Y		20061113	KMYSA4BLS7C300001	
		9	90107-BA5-1000	BOLT, SPECIAL FLANGE 8x35	2	Y		20061113	KMYSA4BLS7C300001	
		10	S3892-05028-08	SCREW, WASHER 5x28	3	Y		20061113	KMYSA4BLS7C300001	
		11	S3892-05045-08	SCREW, WASHER 5x45	1	Y		20061113	KMYSA4BLS7C300001	
		12	S4111-08000	WASHER, SPRING 8mm	4	N		20061113	KMYSA4BLS7C300001	

F-04

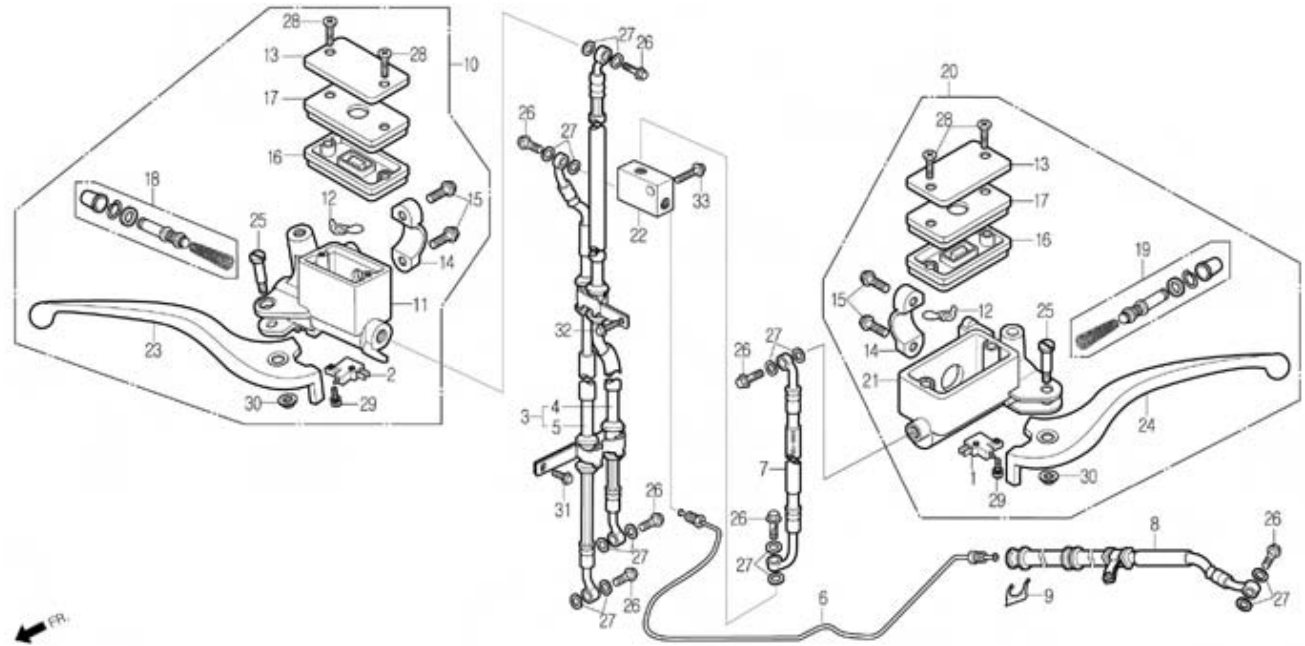
Master Cylinder



Service item	FRT	Ref. No.	Part No.	Description	QTY	A/S	Exch	Start Date	Start FRM.No	End FRM.No
SWITCH ASS'Y, FR.STOP	0.4	1	35340-SA2-0000	SWITCH ASS'Y, RR.STOP	1	Y		20061113	KMYSA4BLS7C300001	
-DIAPHRAGM	0.7	2	35340-SC1-6710-M1	SWITCH ASS'Y, FR.STOP	1	Y		20061113	KMYSA4BLS7C300001	
-LEVER, RH.STEERING HANDLE	0.6	3	4512A-SZ1-0101	HOSE ASS'Y, COMBI BRAKE FR.	1	Y		20061113	KMYSA4BLS7C300001	
HOSE COMP., FR.BRAKE	0.6	4	45126-SZ1-0101	HOSE COMP., FR.BRAKE	1	Y		20061113	KMYSA4BLS7C300001	
CYLINDER ASS'Y, FR.MASTER	0.4	5	45127-SZ1-0102	HOSE COMP.B, FR.BRAKE	1	Y		20061113	KMYSA4BLS7C300001	
CYLINDER SET, MASTER	0.7									
SWITCH ASS'Y, RR.STOP	0.4									
HOSE A ASS'Y, RR.BRAKE	0.4	6	45146-SZ1-0100	HOSE PIPE, RR.BRAKE	1	Y		20061113	KMYSA4BLS7C300001	
HOSE B ASS'Y, RR.BRAKE	0.6	7	45147-SZ1-0100	HOSE A ASS'Y, RR.BRAKE	1	Y		20061113	KMYSA4BLS7C300001	
HOSE PIPE, RR.BRAKE		8	45148-SA4-0000-M1	HOSE B ASS'Y, RR.BRAKE	1	Y		20061113	KMYSA4BLS7C300001	
CYLINDER ASS'Y, RR.MASTER		9	45151-SA2-0000	CLAMP, BRAKE HOSE	1	Y		20061113	KMYSA4BLS7C300001	
		10	45500-SZ1-0100	CYLINDER ASS'Y, FR.MASTER	1	Y		20061113	KMYSA4BLS7C300001	
		11	45501-SZ1-0100	BODY, MASTER FRONT	1	N		20061113	KMYSA4BLS7C300001	
		12	45512-BA6-0062-M1	PROTECTOR(DC)	2	N		20061113	KMYSA4BLS7C300001	
		13	45513-SZ1-0000	CAP, OIL CUP	2	N		20061113	KMYSA4BLS7C300001	
		14	45517-SZ1-0000	HOLDER, MASTER CYLINDER	2	N		20061113	KMYSA4BLS7C300001	
		15	45518-BA4-0000-M1	BOLT, MASTER CYLINDER HOLDER	4	Y		20061113	KMYSA4BLS7C300001	
		16	45520-SC1-0060	DIAPHRAGM	2	Y		20061113	KMYSA4BLS7C300001	
		17	45521-SC1-0061	PLATE, DIAPHRAGM	2	Y		20061113	KMYSA4BLS7C300001	
		18	45530-SZ1-0000	CYLINDER SET, MASTER	1	N		20061113	KMYSA4BLS7C300001	
		19	45540-SZ1-0100	MASTER CYLINDER SET	1	N		20061113	KMYSA4BLS7C300001	
		20	45600-SZ1-0100	CYLINDER ASS'Y, RR.MASTER	1	Y		20061113	KMYSA4BLS7C300001	
		21	45601-SZ1-0100	BODY, RR.MASTER CYLINDER	1	N		20061113	KMYSA4BLS7C300001	

F-04

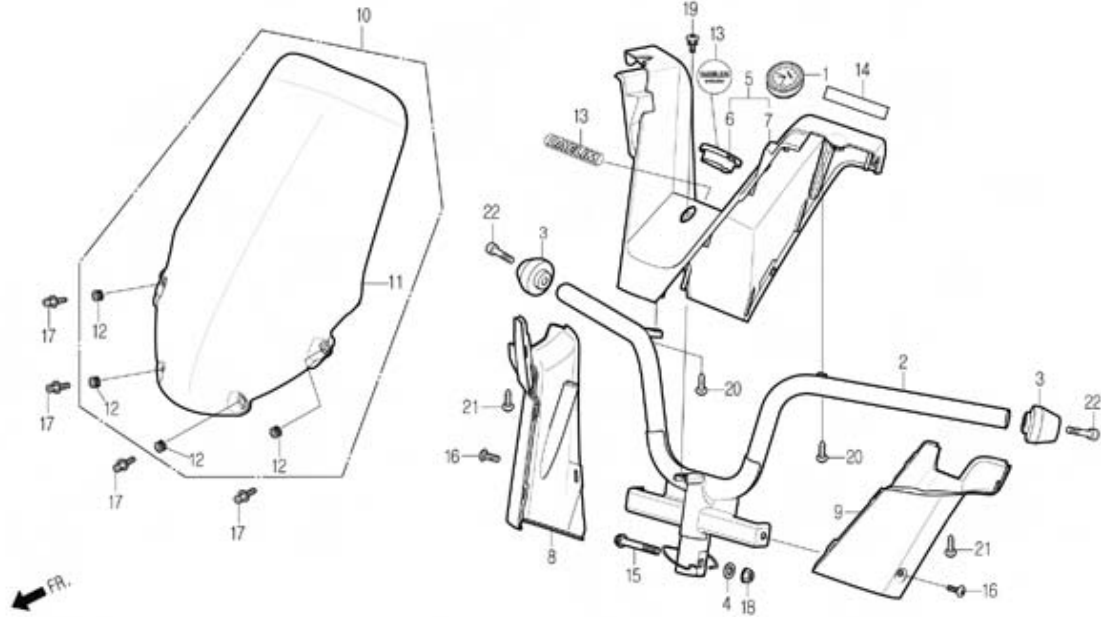
Master Cylinder



Service item	FRT	Ref. No.	Part No.	Description	QTY	A/S	Exch	Start Date	Start FRM.No	End FRM.No
		22	46300-SZ1-0101	JUNCTION VALVE	1	Y		20061113	KMYSA4BLS7C300001	
		23	53175-SZ1-0100	LEVER, RH.STEERING HANDLE	1	Y		20061113	KMYSA4BLS7C300001	
		24	53178-SZ1-0100	LEVER, LH.STEERING HANDLE	1	Y		20061113	KMYSA4BLS7C300001	
		25	90114-BA6-0000	BOLT, HANDLE LEVER	2	Y		20061113	KMYSA4BLS7C300001	
		26	90145-SE5-0000	BOLT, OIL 10x22	7	Y		20061113	KMYSA4BLS7C300001	
		27	90545-BA6-0000	WASHER, OIL BOLT	14	Y		20061113	KMYSA4BLS7C300001	
		28	S3600-04012-0G	SCREW, FLAT 4x12	4	Y		20061113	KMYSA4BLS7C300001	
		29	S3893-04012-18	SCREW, WASHER 4x12	2	Y		20061113	KMYSA4BLS7C300001	
		30	S4050-06080	NUT, FLANGE 6mm	2	Y		20061113	KMYSA4BLS7C300001	
		31	S5701-06012-08	BOLT, FLANGE 6x12	1	Y		20061113	KMYSA4BLS7C300001	
		32	S5701-06016-08	BOLT, FLANGE 6x16	1	Y		20061113	KMYSA4BLS7C300001	
		33	S5701-08030-08	BOLT, FLANGE 8x30	1	Y		20061113	KMYSA4BLS7C300001	

F-05

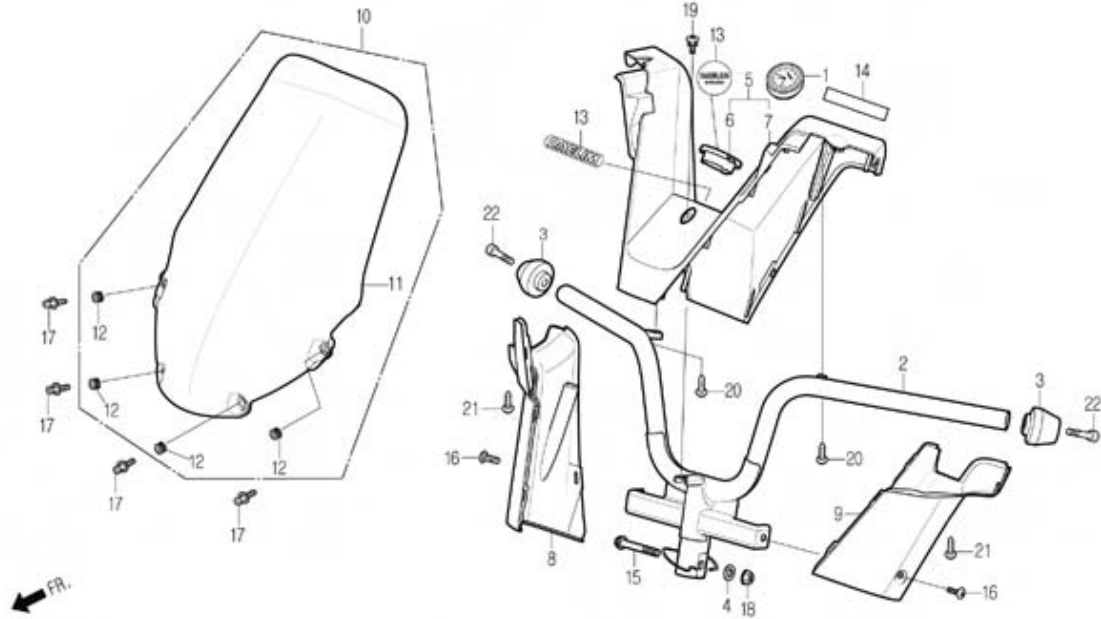
Steering Handle / Handle Cover



Service item	FRT	Ref. No.	Part No.	Description	QTY	A/S	Exch	Start Date	Start FRM.No	End FRM.No
HANDLE COMP., STEERING	1.0	1	37240-SZ1-0000-B2	CLOCK ASS'Y(ACCESSORY)	1	Y		20061113	KMYSA4BLS7C300001	
COVER, RH.UNDER HANDLE	0.1	2	53100-SZ1-0000	HANDLE COMP., STEERING	1	Y		20061113	KMYSA4BLS7C300001	
COVER, LH.UNDER HANDLE	0.1	3	53106-SZ1-0000	WEIGHT CAP, HANDLE	2	Y		20061113	KMYSA4BLS7C300001	
COVER, UPPER HANDLE	0.2	4	53125-CB2-9001	COLLAR, HANDLE SETTING	1	Y		20061113	KMYSA4BLS7C300001	
SCREEN, WIND	0.1	5	5320B-SZ1-0001	COVER ASS'Y, UPPER HANDLE	1	Y		20061113	KMYSA4BLS7C300001	
		6	53204-SZ1-0000	CAP, UPPER HANDLE COVER	1	Y		20061113	KMYSA4BLS7C300001	
		7	53205-SZ1-0011	COVER, UPPER HANDLE	1	N		20061113	KMYSA4BLS7C300001	
		8	53206-SZ1-0001	COVER, RH.UNDER HANDLE	1	Y		20061113	KMYSA4BLS7C300001	
		9	53207-SZ1-0002	COVER, LH.UNDER HANDLE	1	Y		20061113	KMYSA4BLS7C300001	
		10	5321A-SZ1-RB11	SCREEN ASS'Y, WIND	1	Y		20061113	KMYSA4BLS7C300001	
		11	53213-SZ1-RB11	SCREEN, WIND	1	N		20061113	KMYSA4BLS7C300001	
		12	53214-SZ1-0000	RUBBER, WIND SCREEN MOUNT	4	N		20061113	KMYSA4BLS7C300001	
		13	87150-SZ1-0020	MARK, HANDLE COVER	1	Y		20061113	KMYSA4BLS7C300001	
		14	87560-SA1-MA00	MARK, DRIVE CAUTION(ENGLISH)	1	Y		20061113	KMYSA4BLS7C300001	
			87560-SA1-RB00	MARK, DRIVE CAUTION(GERMAN)	1	Y		20061113	KMYSA4BLS7C300001	
			87560-SA1-RC00	MARK, DRIVE CAUTION(ITALIAN)	1	Y		20061113	KMYSA4BLS7C300001	
			87560-SA1-RE00	MARK, DRIVE CAUTION(FRENCH)	1	Y		20061113	KMYSA4BLS7C300001	
			87560-SA1-RJ00	MARK, DRIVE CAUTION(SPANISH)	1	Y		20061113	KMYSA4BLS7C300001	
		15	90106-CB2-9000	BOLT, FLANGE 10x50	1	Y		20061113	KMYSA4BLS7C300001	
		16	90192-SE3-0000	SCREW, SPECIAL 5x14	2	Y		20061113	KMYSA4BLS7C300001	
		17	90302-SE5-2001	BOLT, WASHER 5x16	4	Y		20061113	KMYSA4BLS7C300001	

F-05

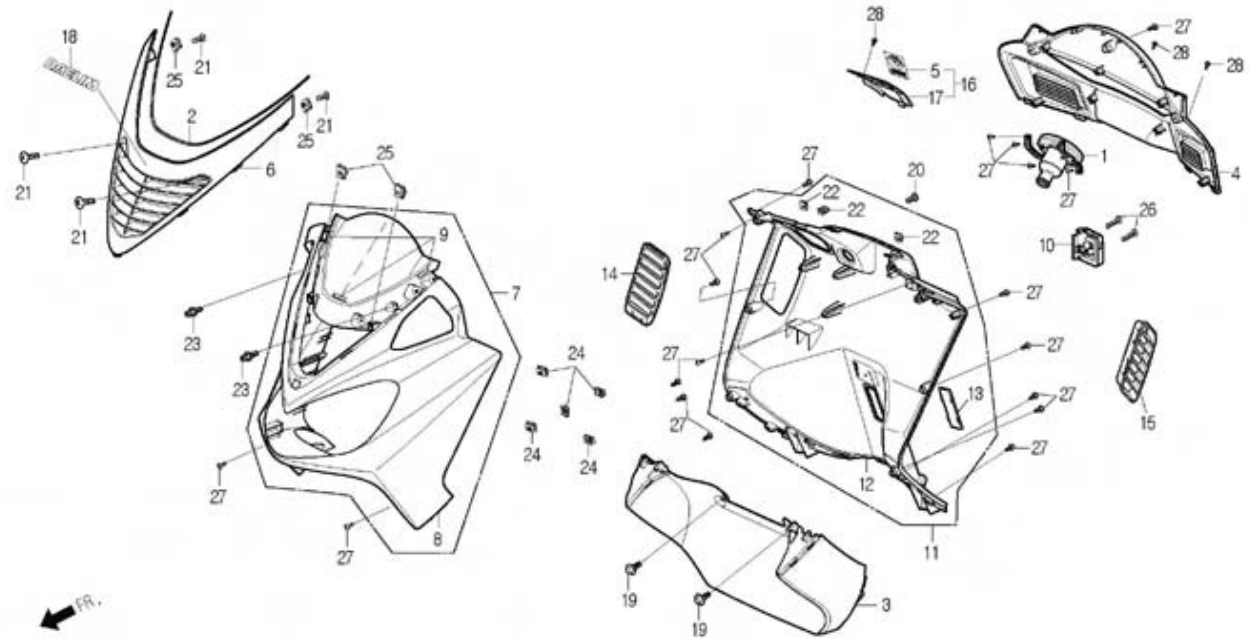
Steering Handle / Handle Cover



Service item	FRT	Ref. No.	Part No.	Description	QTY	A/S	Exch	Start Date	Start FRM.No	End FRM.No
		18	90304-SE6-0000	NUT, U 10mm	1	Y		20061113	KMYSA4BLS7C300001	
		19	S3891-05014-07	SCREW, WASHER 5x14	1	Y		20061113	KMYSA4BLS7C300001	
		20	S3903-25280	SCREW, TAPPING 5x12	2	Y		20061113	KMYSA4BLS7C300001	
		21	S3903-34380	SCREW, TAPPING 4x12	2	Y		20061113	KMYSA4BLS7C300001	
		22	S6700-08035-00	BOLT, SOCKET 8x35	2	Y		20061113	KMYSA4BLS7C300001	

F-06

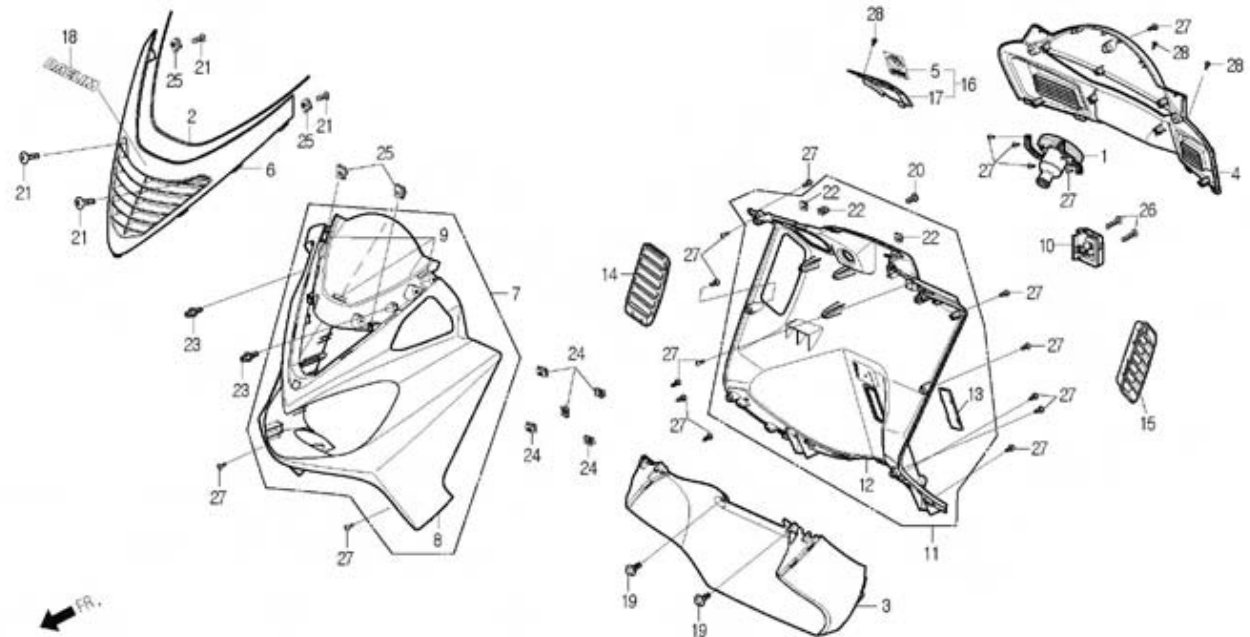
Front Cover / Inner Cover



Service item	FRT	Ref. No.	Part No.	Description	QTY	A/S	Exch	Start Date	Start FRM.No	End FRM.No
COVER, FR.	0.1	1	1751B-SZ1-0000	NECK ASS'Y, FUEL CAP	1	Y		20061113	KMYSA4BLS7C300001	
COVER, METER	0.3	2	53215-SZ1-0001	RUBBER, WIND SCREEN SEALING	1	Y		20061113	KMYSA4BLS7C300001	
COVER ASS'Y, INNER	0.8	3	61200-SZ1-0000-DB	COVER B, FR.UNDER(D/BLUE)	1	Y		20061113	KMYSA4BLS7C300001	
HOLDER COMP., BAG	0.1		61200-SZ1-0000-GB	COVER B, FR.UNDER(G/BLUE)	1	Y		20061113	KMYSA4BLS7C300001	
COVER, ENGINE COOLANT	0.1		61200-SZ1-0000-SL	COVER B, FR.UNDER(SILVER)	1	Y		20061113	KMYSA4BLS7C300001	
COVER B, FR.UNDER	0.6		61200-SZ1-0000-TR	COVER B, FR.UNDER(O/RED)	1	Y		20061113	KMYSA4BLS7C300001	
NECK ASS'Y, FUEL CAP	0.1		61200-SZ1-0000-TY	COVER B, FR.UNDER(T/GRAY)	1	Y		20061113	KMYSA4BLS7C300001	
DUCT, AIR	0.6	4	61310-SZ1-0001	COVER, METER	1	Y		20061113	KMYSA4BLS7C300001	
COVER A ASS'Y, FR.UNDER	0.4	5	61405-SZ1-0000	MARK, GOOD DESIGN	1	Y		20061113	KMYSA4BLS7C300001	
		6	64301-SZ1-0000-DB	COVER, FR.(D/BLUE)	1	Y		20061113	KMYSA4BLS7C300001	
			64301-SZ1-0000-GB	COVER, FR.(G/BLUE)	1	Y		20061113	KMYSA4BLS7C300001	
			64301-SZ1-0000-SL	COVER, FR.(SILVER)	1	Y		20061113	KMYSA4BLS7C300001	
			64301-SZ1-0000-TR	COVER, FR.(O/RED)	1	Y		20061113	KMYSA4BLS7C300001	
			64301-SZ1-0000-TY	COVER, FR.(T/GRAY)	1	Y		20061113	KMYSA4BLS7C300001	
		7	6440A-SZ1-0000-DB	COVER A ASS'Y, FR.UNDER(D/BLUE)	1	Y		20061113	KMYSA4BLS7C300001	
			6440A-SZ1-0000-GB	COVER A ASS'Y, FR.UNDER(G/BLUE)	1	Y		20061113	KMYSA4BLS7C300001	
			6440A-SZ1-0000-SL	COVER A ASS'Y, FR.UNDER(SILVER)	1	Y		20061113	KMYSA4BLS7C300001	
			6440A-SZ1-0000-TR	COVER A ASS'Y, FR.UNDER(O/RED)	1	Y		20061113	KMYSA4BLS7C300001	
			6440A-SZ1-0000-TY	COVER A ASS'Y, FR.UNDER(T/GRAY)	1	Y		20061113	KMYSA4BLS7C300001	
		8	64400-SZ1-0000-DB	COVER A, FR.UNDER(D/BLUE)	1	Y		20061113	KMYSA4BLS7C300001	
			64400-SZ1-0000-GB	COVER A, FR.UNDER(G/BLUE)	1	Y		20061113	KMYSA4BLS7C300001	
			64400-SZ1-0000-SL	COVER A, FR.UNDER(SILVER)	1	Y		20061113	KMYSA4BLS7C300001	
			64400-SZ1-0000-TR	COVER A, FR.UNDER(O/RED)	1	Y		20061113	KMYSA4BLS7C300001	

F-06

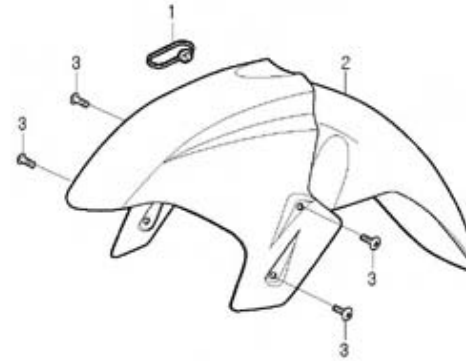
Front Cover / Inner Cover



Service item	FRT	Ref. No.	Part No.	Description	QTY	A/S	Exch	Start Date	Start FRM.No	End FRM.No
			64400-SZ1-0000-TY	COVER A, FR.UNDER(T/GRAY)	1	Y		20061113	KMYSA4BLS7C300001	
		9	64408-SZ1-0000	RUBBER, CUSHION	2	N		20061113	KMYSA4BLS7C300001	
		10	81100-SA1-0102	HOLDER COMP., BAG	1	Y		20061113	KMYSA4BLS7C300001	
		11	8113A-SZ1-0010	COVER ASS'Y, INNER	1	Y		20061113	KMYSA4BLS7C300001	
		12	81131-SZ1-0010	COVER, INNER	1	N		20061113	KMYSA4BLS7C300001	
		13	81132-SA2-0001	CAP, NUMBERING	1	N		20061113	KMYSA4BLS7C300001	
		14	81137-SZ1-0001	GRILLE, RH.INNER COVER	1	Y		20061113	KMYSA4BLS7C300001	
		15	81147-SZ1-0001	GRILLE, LH.INNER COVER	1	Y		20061113	KMYSA4BLS7C300001	
		16	8116A-SA4-0000	COVER ASS'Y, ENGINE COOLANT	1	Y		20061113	KMYSA4BLS7C300001	
		17	81161-SZ1-0003	COVER, ENGINE COOLANT	1	Y		20061113	KMYSA4BLS7C300001	
		18	87124-SZ1-0000	MARK, FR.COVER	1	Y		20061113	KMYSA4BLS7C300001	
		19	90111-SE5-1000	BOLT, FLANGE 6mm	2	Y		20061113	KMYSA4BLS7C300001	
		20	90190-SC1-0000	SCREW, SPECIAL 6x10	1	Y		20061113	KMYSA4BLS7C300001	
		21	90192-SE3-0000	SCREW, SPECIAL 5x14	4	Y		20061113	KMYSA4BLS7C300001	
		22	90302-SA4-0032	NUT, SPRING 4mm	3	Y		20061113	KMYSA4BLS7C300001	
		23	90302-SE5-2001	BOLT, WASHER 5x16	2	Y		20061113	KMYSA4BLS7C300001	
		24	90305-SE5-1001	NUT, CLIP 6mm	5	Y		20061113	KMYSA4BLS7C300001	
		25	90677-SE5-0030	NUT, CLIP 5mm	4	Y		20061113	KMYSA4BLS7C300001	
		26	S3500-05028-0H	SCREW, PAN 5x28	2	Y		20061113	KMYSA4BLS7C300001	
		27	S3903-25280	SCREW, TAPPING 5x12	19	Y		20061113	KMYSA4BLS7C300001	
		28	S3903-34380	SCREW, TAPPING 4x12	3	Y		20061113	KMYSA4BLS7C300001	

F-07

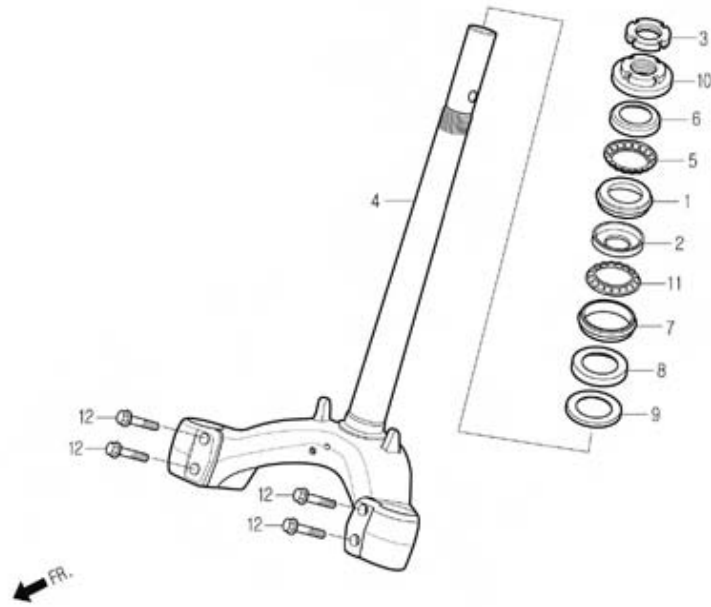
Front Fender



Service item	FRT	Ref. No.	Part No.	Description	QTY	A/S	Exch	Start Date	Start FRM.No	End FRM.No
FENDER, FR.	0.2	1	45451-BA6-9700	GROMMET, WIRE	1	Y		20061113	KMYSA4BLS7C300001	
		2	61100-SZ1-0000-DB	FENDER, FR.(D/BLUE)	1	Y		20061113	KMYSA4BLS7C300001	
			61100-SZ1-0000-GB	FENDER, FR.(G/BLUE)	1	Y		20061113	KMYSA4BLS7C300001	
			61100-SZ1-0000-SL	FENDER, FR.(SILVER)	1	Y		20061113	KMYSA4BLS7C300001	
			61100-SZ1-0000-TR	FENDER, FR.(O/RED)	1	Y		20061113	KMYSA4BLS7C300001	
			61100-SZ1-0000-TY	FENDER, FR.(T/GRAY)	1	Y		20061113	KMYSA4BLS7C300001	
		3	90110-SE5-0001	SCREW, SPECIAL 6x14	4	Y		20061113	KMYSA4BLS7C300001	

F-08

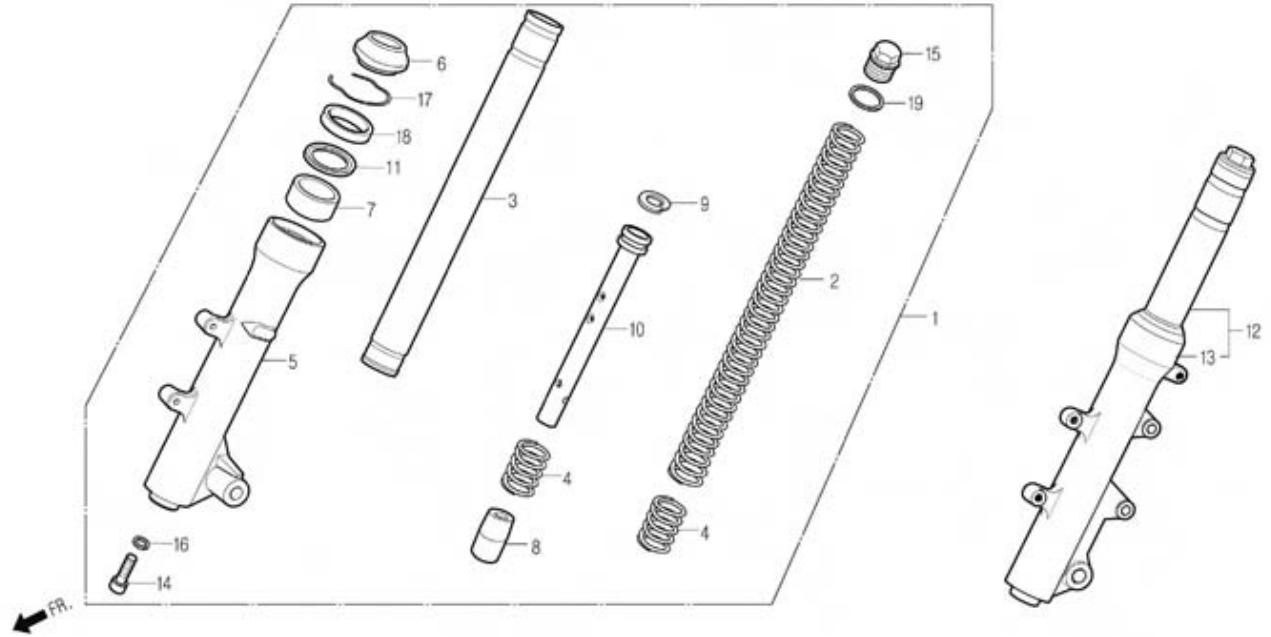
Steering Stem



Service item	FRT	Ref. No.	Part No.	Description	QTY	A/S	Exch	Start Date	Start FRM.No	End FRM.No
RACE, STEERING TOP BALL	1.2	1	50301-CB2-9002	RACE, STEERING TOP BALL	1	Y		20061113	KMYSA4BLS7C300001	
RACE, STEERING BOTTOM CONE	1.2	2	50302-CB2-9002	RACE, STEERING BOTTOM BALL	1	Y		20061113	KMYSA4BLS7C300001	
THREAD COMP., TOP	1.0	3	50306-CB3-0000	NUT, STEERING STEM LOCK	1	Y		20061113	KMYSA4BLS7C300001	
STEM COMP., STEERING	1.2	4	53200-SZ1-0100	STEM COMP., STEERING	1	Y		20061113	KMYSA4BLS7C300001	
		5	53210-CB3-7500	BALL ASS'Y, STEERING UPPER	1	Y		20061113	KMYSA4BLS7C300001	
		6	53211-CB2-9002	RACE, STEERING TOP CONE	1	Y		20061113	KMYSA4BLS7C300001	
		7	53212-CB2-9002	RACE, STEERING BOTTOM CONE	1	Y		20061113	KMYSA4BLS7C300001	
		8	53214-CB2-9001	SEAL, STEERING DUST	1	Y		20061113	KMYSA4BLS7C300001	
		9	53215-CB3-0000	WASHER, STEERING HEAD DUST SEAL	1	Y		20061113	KMYSA4BLS7C300001	
		10	53220-CB3-0000	THREAD COMP., TOP	1	Y		20061113	KMYSA4BLS7C300001	
		11	53220-CB3-7500	BALL ASS'Y, STEERING UNDER	1	Y		20061113	KMYSA4BLS7C300001	
		12	S5801-10045-08	BOLT, FLANGE 10x45	4	Y		20061113	KMYSA4BLS7C300001	

F-09

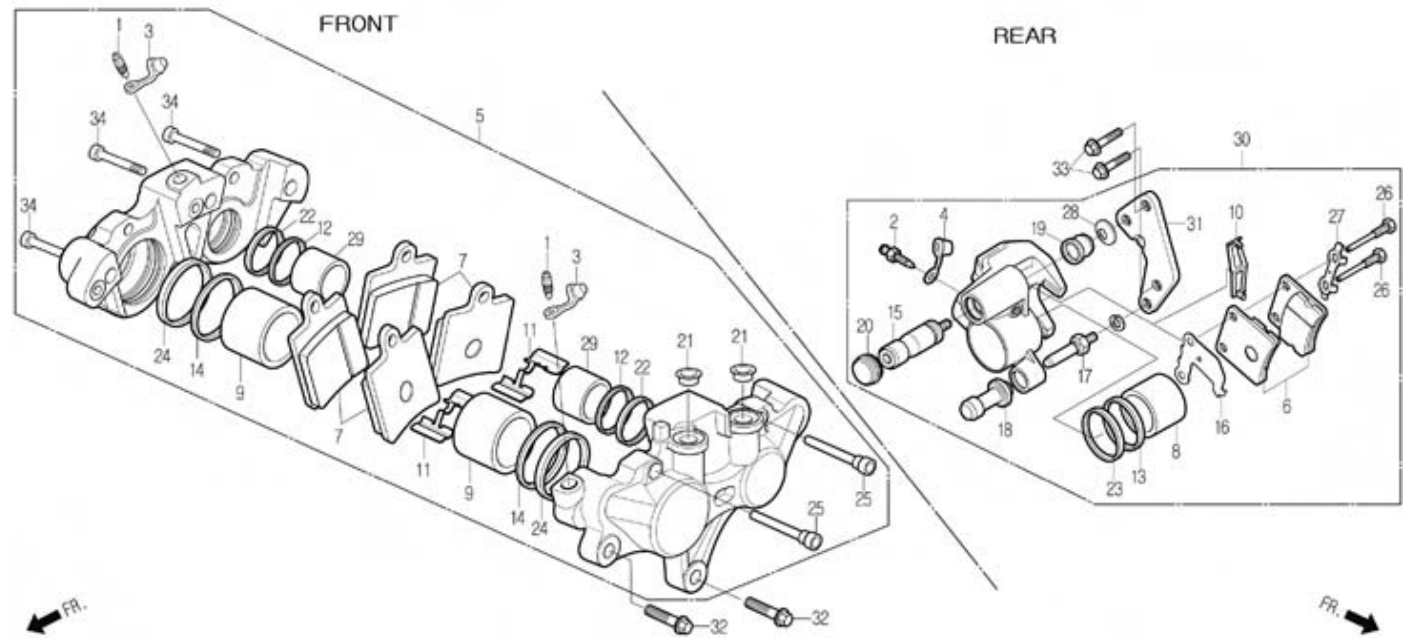
Front Fork



Service item	FRT	Ref. No.	Part No.	Description	QTY	A/S	Exch	Start Date	Start FRM.No	End FRM.No
FORK ASS'Y, FR. (ADD 0.1 FOR EACH) PIPE COMP., FORK (ADD 0.4 FOR EACH) SPRING, FR.FORK SPRING, REBOUND PIPE, SEAT CASE, BOTTOM (ADD 0.5 FOR EACH)	0.7	1	51400-SZ1-0010	FORK ASS'Y, RH.FR.	1	Y		20061113	KMYSA4BLS7C300001	
	0.9	2	51401-SZ1-0011	SPRING, FR.FORK	2	N		20061113	KMYSA4BLS7C300001	
	1.0	3	51410-SZ1-0010	PIPE COMP., FORK	2	N		20061113	KMYSA4BLS7C300001	
		4	51412-BA5-9000	SPRING, REBOUND	4	N		20061113	KMYSA4BLS7C300001	
		5	51420-SZ1-0000	CASE, RH.BOTTOM	1	N		20061113	KMYSA4BLS7C300001	
		6	51425-BA5-9000	SEAL, DUST	2	Y		20061113	KMYSA4BLS7C300001	
		7	51427-BA5-9000	BUSH, GUIDE	2	N		20061113	KMYSA4BLS7C300001	
		8	51432-BA5-9000	PIECE, OIL LOCK	2	N		20061113	KMYSA4BLS7C300001	
		9	51437-BA5-9000	RING, PISTON	2	N		20061113	KMYSA4BLS7C300001	
		10	51440-SZ1-0000	PIPE, SEAT	2	N		20061113	KMYSA4BLS7C300001	
		11	51441-BA5-9000	RING, BACK UP	2	N		20061113	KMYSA4BLS7C300001	
		12	51500-SZ1-0100	FORK ASS'Y, LH.FR.	1	Y		20061113	KMYSA4BLS7C300001	
		13	51520-SZ1-0100	CASE, LH.BOTTOM	1	N		20061113	KMYSA4BLS7C300001	
		14	90116-BA6-7210-M1	BOLT, SOCKET 8mm	2	Y		20061113	KMYSA4BLS7C300001	
		15	90123-SZ1-0000	BOLT, FR.FORK	2	Y		20061113	KMYSA4BLS7C300001	
		16	90544-HD2-0002	WASHER, SPECIAL 8mm	2	Y		20061113	KMYSA4BLS7C300001	
		17	90601-BA5-9000	RING, OIL SEAL STOP	2	N		20061113	KMYSA4BLS7C300001	
		18	91255-BA5-9000	SEAL, OIL	2	Y		20061113	KMYSA4BLS7C300001	
		19	91356-BA5-9000	O-RING	2	Y		20061113	KMYSA4BLS7C300001	

F-10

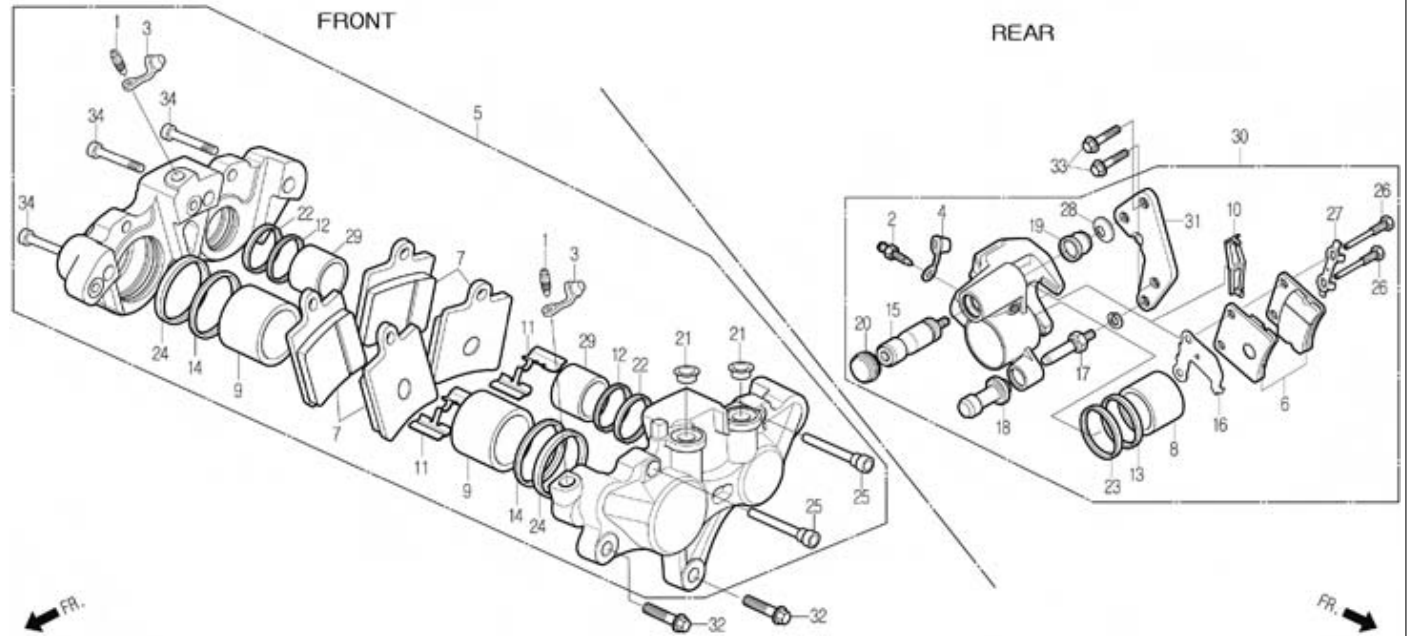
Brake Caliper



Service item	FRT	Ref. No.	Part No.	Description	QTY	A/S	Exch	Start Date	Start FRM.No	End FRM.No
CALIPER ASS'Y, LH.FR	0.4	1	43352-SE6-9800	SCREW, BLEEDER	2	N		20061113	KMYSA4BLS7C300001	
PAD COMP.	0.2	2	43352-SE6-9801-M4	SCREW, BLEEDER(KL)	1	N		20061113	KMYSA4BLS7C300001	
PISTON(FR.)	0.5	3	43353-SE6-9800	CAP, BLEEDER	2	N		20061113	KMYSA4BLS7C300001	
(ADD 0.1 FOR EACH)	0.5	3	43353-SE6-9800	CAP, BLEEDER	2	N		20061113	KMYSA4BLS7C300001	
CALIPER ASS'Y, RR.BRAKE	0.4	4	43353-SE6-9800-M4	CAP, BLEEDER(KL)	1	N		20061113	KMYSA4BLS7C300001	
BRACKET, CALIPER(RR.)	0.6	5	45100-SZ1-0100	CALIPER ASS'Y, LH.FR	1	Y		20061113	KMYSA4BLS7C300001	
PISTON(RR.)	0.6	5	45100-SZ1-0100	CALIPER ASS'Y, LH.FR	1	Y		20061113	KMYSA4BLS7C300001	
(ADD 0.1 FOR EACH)	0.6	5	45100-SZ1-0100	CALIPER ASS'Y, LH.FR	1	Y		20061113	KMYSA4BLS7C300001	
		6	45105-BA7-RB00-M4	PAD COMP.(KL)	2	Y		20061113	KMYSA4BLS7C300001	
		7	45105-SZ1-0101	PAD COMP.	4	Y		20061113	KMYSA4BLS7C300001	
		8	45107-BA6-0000-M4	PISTON(KL)	1	N		20061113	KMYSA4BLS7C300001	
		9	45107-SZ1-0100	PISTON A	2	N		20061113	KMYSA4BLS7C300001	
		10	45108-BA6-0000-M4	SPRING, PAD(KL)	1	N		20061113	KMYSA4BLS7C300001	
		11	45108-SZ1-0100	SPRING, PAD	2	Y		20061113	KMYSA4BLS7C300001	
		12	45109-BA5-9000	SEAL, DUST	2	N		20061113	KMYSA4BLS7C300001	
		13	45109-BA6-0000-M4	DUST SEAL, PISTON(KL)	1	N		20061113	KMYSA4BLS7C300001	
		14	45109-BA6-1060	SEAL, DUST	2	N		20061113	KMYSA4BLS7C300001	
		15	45115-SE6-9800-M4	PIN, SLIDE(KL)	1	N		20061113	KMYSA4BLS7C300001	
		16	45116-BA6-0000-M4	SHIM, RH.(KL)	1	N		20061113	KMYSA4BLS7C300001	
		17	45131-SE6-9800-M4	BOLT, PIN(KL)	1	N		20061113	KMYSA4BLS7C300001	
		18	45132-SE6-9800-M4	BUSH, PIN(KL)	1	N		20061113	KMYSA4BLS7C300001	
		19	45133-SE6-9800-M4	BOOT, PIN(KL)	1	N		20061113	KMYSA4BLS7C300001	
		20	45134-SE6-9800-M4	PLUG, DUST(KL)	1	N		20061113	KMYSA4BLS7C300001	
		21	45204-BA6-0000	PLUG	2	N		20061113	KMYSA4BLS7C300001	

F-10

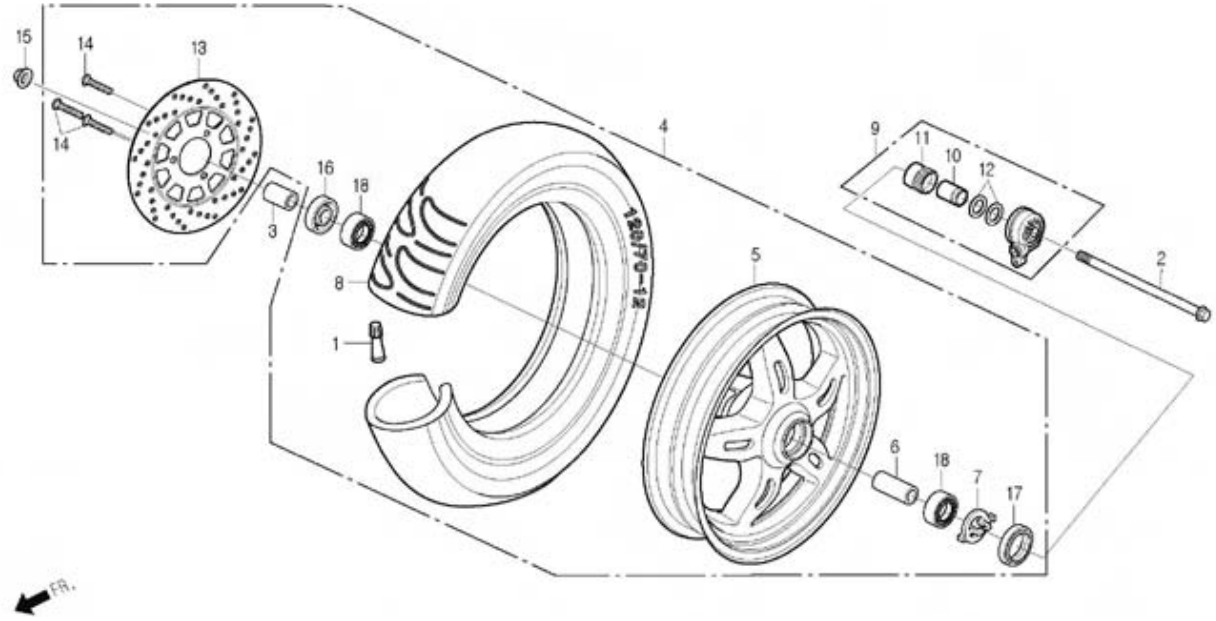
Brake Caliper



Service item	FRT	Ref. No.	Part No.	Description	QTY	A/S	Exch	Start Date	Start FRM.No	End FRM.No
		22	45209-BA5-9000	SEAL, PISTON	2	N		20061113	KMYSA4BLS7C300001	
		23	45209-BA6-0000-M4	SEAL, PISTON(KL)	1	N		20061113	KMYSA4BLS7C300001	
		24	45209-BA6-1061	SEAL, PISTON	2	N		20061113	KMYSA4BLS7C300001	
		25	45215-BA5-9000	HANGER PIN	2	N		20061113	KMYSA4BLS7C300001	
		26	45215-BA6-0000-M4	PIN, HANGER(KL)	2	N		20061113	KMYSA4BLS7C300001	
		27	45217-BA6-0000-M4	WASHER, TONGUED(KL)	1	N		20061113	KMYSA4BLS7C300001	
		28	45218-BA6-9800-M4	WASHER, CONICAL SPRING(KL)	1	N		20061113	KMYSA4BLS7C300001	
		29	45307-SZ1-0100	PISTON B	2	Y		20061113	KMYSA4BLS7C300001	
		30	46200-SA2-RB10-M4	CALIPER ASS'Y, RR.	1	Y		20061113	KMYSA4BLS7C300001	
		31	46210-SA2-0000-M4	BRACKET, RR.CALIPER	1	N		20061113	KMYSA4BLS7C300001	
		32	90101-BA5-0000	BOLT, SPECIAL FLANGE 8x32	2	Y		20061113	KMYSA4BLS7C300001	
		33	S5801-08025-08	BOLT, FLANGE 8x25	2	Y		20061113	KMYSA4BLS7C300001	
		34	S6700-08040-00	BOLT, SOCKET 8x40	3	Y		20061113	KMYSA4BLS7C300001	

F-11

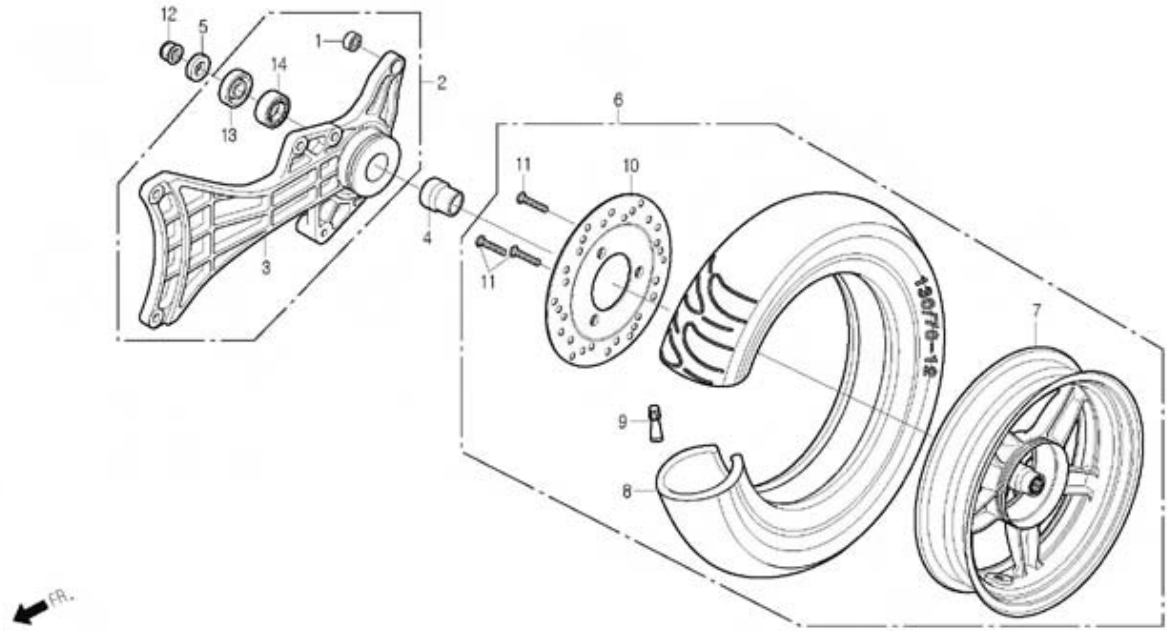
Front Wheel



Service item	FRT	Ref. No.	Part No.	Description	QTY	A/S	Exch	Start Date	Start FRM.No	End FRM.No
WHEEL ASS'Y, FR.	0.5	1	42753-BA7-0000	VALVE, RIM TR 413	1	Y		20061113	KMYSA4BLS7C300001	
AXLE, FR.WHEEL	0.2	2	44301-SZ1-0000	AXLE, FR.WHEEL	1	Y		20061113	KMYSA4BLS7C300001	
WHEEL, FR.CASTING	0.7	3	44311-SZ1-0000	COLLAR, FR.WHEEL SIDE	1	Y		20061113	KMYSA4BLS7C300001	
COLLAR, FR.DISTANCE	0.6	4	44600-SZ1-0010	WHEEL ASS'Y, FR.	1	Y		20061113	KMYSA4BLS7C300001	
BEARING, RADIAL BALL 6301U	0.3	5	44601-SZ1-0010	WHEEL, FR.CASTING	1	Y		20061113	KMYSA4BLS7C300001	
BOX ASS'Y, SPEEDOMETER GEAR	0.6	6	44620-SA2-0000	COLLAR, FR.DISTANCE	1	N		20061113	KMYSA4BLS7C300001	
TIRE, FR.	0.4	7	44680-BA6-0100	RETAINER, GEAR BOX	1	N		20061113	KMYSA4BLS7C300001	
DISK, FR.BRAKE		8	44711-SZ1-0000-M1	TIRE, FR.	1	Y		20061113	KMYSA4BLS7C300001	
		9	44800-SZ1-0000	BOX ASS'Y, SPEEDOMETER GEAR	1	Y		20061113	KMYSA4BLS7C300001	
		10	44805-SZ1-0000	PINION, SPEEDOMETER	1	N		20061113	KMYSA4BLS7C300001	
		11	44806-SZ1-0000	GEAR, SPEEDOMETER	1	N		20061113	KMYSA4BLS7C300001	
		12	44808-BA6-7010-Y1	WASHER, GEAR	2	N		20061113	KMYSA4BLS7C300001	
		13	45121-SZ1-0000	DISK, FR.BRAKE	1	Y		20061113	KMYSA4BLS7C300001	
		14	90106-BA5-0001	BOLT, FR.DISK 8x24	3	Y		20061113	KMYSA4BLS7C300001	
		15	90306-CB3-0000	NUT, FLANGE 12mm	1	Y		20061113	KMYSA4BLS7C300001	
		16	91252-BA6-0030	SEAL, OIL 23x37x7	1	Y		20061113	KMYSA4BLS7C300001	
		17	91258-BA6-0061	SEAL, DUST 40x50x5	1	Y		20061113	KMYSA4BLS7C300001	
		18	S6140-63010-10	BEARING, RADIAL BALL 6301U	2	Y		20061113	KMYSA4BLS7C300001	

F-12

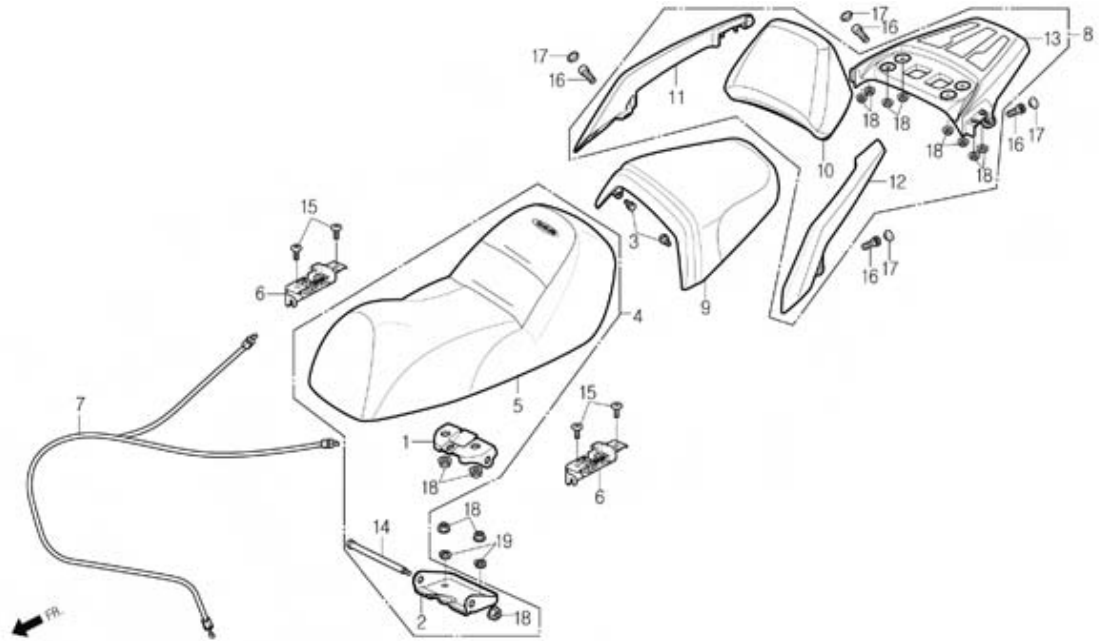
Rear Wheel



Service item	FRT	Ref. No.	Part No.	Description	QTY	A/S	Exch	Start Date	Start FRM.No	End FRM.No
ARM ASS'Y, RR.SWING	0.4	1	11204-SA1-0000	BUSH, RR.CUSHION UNDER RUBBER	1	Y		20061113	KMYSA4BLS7C300001	
BUSH, RR.CUSHION UNDER RUBBER	0.6	2	4230A-SA4-0010	ARM ASS'Y, RR.SWING	1	Y		20061113	KMYSA4BLS7C300001	
WHEEL ASS'Y, RR.	0.6	3	42301-SA2-0010	ARM,RR.SWING	1	Y		20061113	KMYSA4BLS7C300001	
WHEEL, RR.CASTING	0.8	4	42304-SA2-0000	COLLAR, RR.WHEEL INSIDE	1	Y		20061113	KMYSA4BLS7C300001	
TIRE, RR.	0.7	5	42305-SA2-0000	COLLAR, RR.WHEEL OUTSIDE	1	Y		20061113	KMYSA4BLS7C300001	
DISK, BRAKE	0.5	6	42600-SA4-0001	WHEEL ASS'Y, RR.	1	Y		20061113	KMYSA4BLS7C300001	
		7	42601-SA2-0000-M3	WHEEL COMP., RR.CASTING(W.F)	1	Y		20061113	KMYSA4BLS7C300001	
		8	42711-SA4-0000-M1	TIRE, RR.	1	Y		20061113	KMYSA4BLS7C300001	
		9	42753-BA7-0000	VALVE, RIM TR 413	1	Y		20061113	KMYSA4BLS7C300001	
		10	45351-SA2-0010-M1	DISK, RR.BRAKE	1	Y		20061113	KMYSA4BLS7C300001	
		11	90106-BA5-0001	BOLT, FR.DISK 8x24	3	Y		20061113	KMYSA4BLS7C300001	
		12	90305-SE5-0000	NUT, U 14mm	1	Y		20061113	KMYSA4BLS7C300001	
		13	91257-BA6-0031	SEAL, OIL 28x42x7	1	N		20061113	KMYSA4BLS7C300001	
		14	S6150-63020-10	BEARING, RADIAL BALL 6302UU	1	N		20061113	KMYSA4BLS7C300001	

F-13

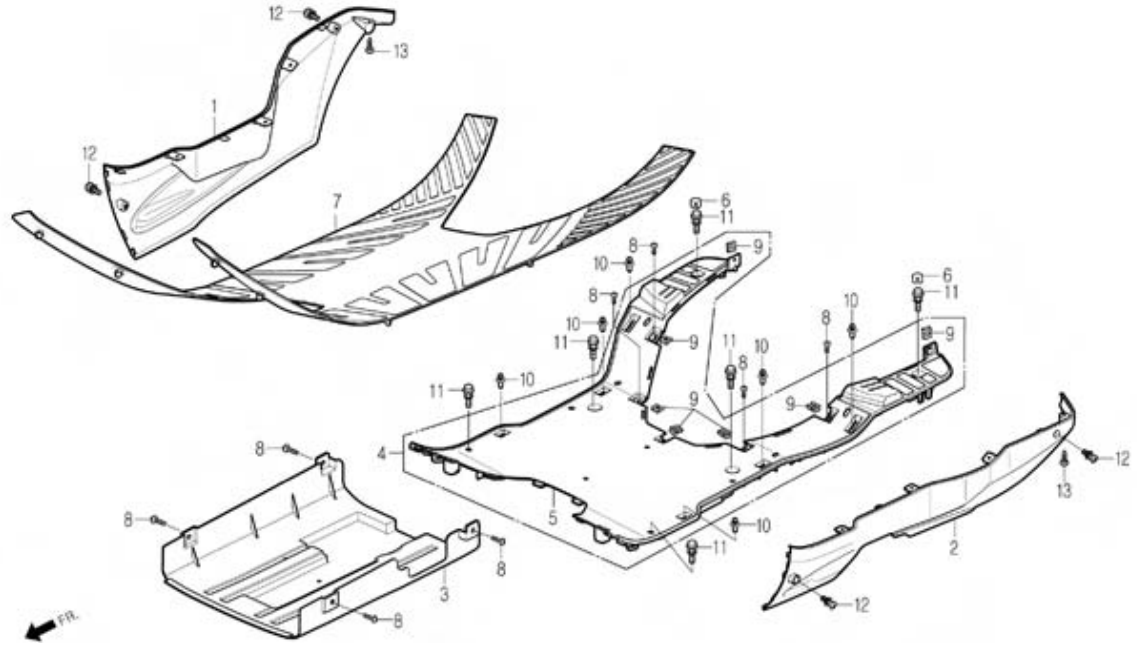
Seat



Service item	FRT	Ref. No.	Part No.	Description	QTY	A/S	Exch	Start Date	Start FRM.No	End FRM.No
SEAT ASS'Y	0.1	1	77101-SZ1-0000	HINGE A, SEAT	1	N		20061113	KMYSA4BLS7C300001	
CATCH COMP., SEAT	0.2	2	77103-SZ1-0000	HINGE B, SEAT	1	N		20061113	KMYSA4BLS7C300001	
CABLE, SEAT LOCK	0.8	3	77106-SZ1-0000	BOLT, PILLION SEAT	2	Y		20061113	KMYSA4BLS7C300001	
SEAT COMP., PILLION	0.1	4	7720A-SZ1-0020	SEAT SET	1	Y		20061113	KMYSA4BLS7C300001	
GRIP, RH.RR.	0.1	4	7720A-SZ1-0020	SEAT SET	1	Y		20061113	KMYSA4BLS7C300001	
GRIP, LH.RR.	0.1	4	7720A-SZ1-0020	SEAT SET	1	Y		20061113	KMYSA4BLS7C300001	
		5	77200-SZ1-0020	SEAT ASS'Y	1	N		20061113	KMYSA4BLS7C300001	
		6	77235-SZ1-0001	CATCH COMP., SEAT	2	Y		20061113	KMYSA4BLS7C300001	
		7	77240-SZ1-0001	CABLE, SEAT LOCK	1	Y		20061113	KMYSA4BLS7C300001	
		8	7730A-SZ1-0001	REST SET, BACK	1	Y		20061113	KMYSA4BLS7C300001	
		9	77300-SZ1-0010	SEAT COMP., PILLION	1	Y		20061113	KMYSA4BLS7C300001	
		10	77301-SZ1-0010	REST ASS'Y, BACK	1	Y		20061113	KMYSA4BLS7C300001	
		11	77305-SZ1-0002	RH.GRIP, BACK REST	1	Y		20061113	KMYSA4BLS7C300001	
		12	77306-SZ1-0002	LH.GRIP, BACK REST	1	Y		20061113	KMYSA4BLS7C300001	
		13	81200-SZ1-0002	CARRIER, RR.	1	Y		20061113	KMYSA4BLS7C300001	
		14	90102-CB4-0000	BOLT, SEAT HINGE	1	N		20061113	KMYSA4BLS7C300001	
		15	90103-BA5-0000	SCREW, TORUS 6x12	4	Y		20061113	KMYSA4BLS7C300001	
		16	90106-SZ1-0000	BOLT, SPECIAL 8x24	4	Y		20061113	KMYSA4BLS7C300001	
		17	91456-SZ1-0000	CAP, SOCKET BOLT 8mm	4	Y		20061113	KMYSA4BLS7C300001	
		18	S4050-06080	NUT, FLANGE 6mm	13	N		20061113	KMYSA4BLS7C300001	
		19	S4111-06800	WASHER, SPRING 6mm	2	Y		20061113	KMYSA4BLS7C300001	

F-14

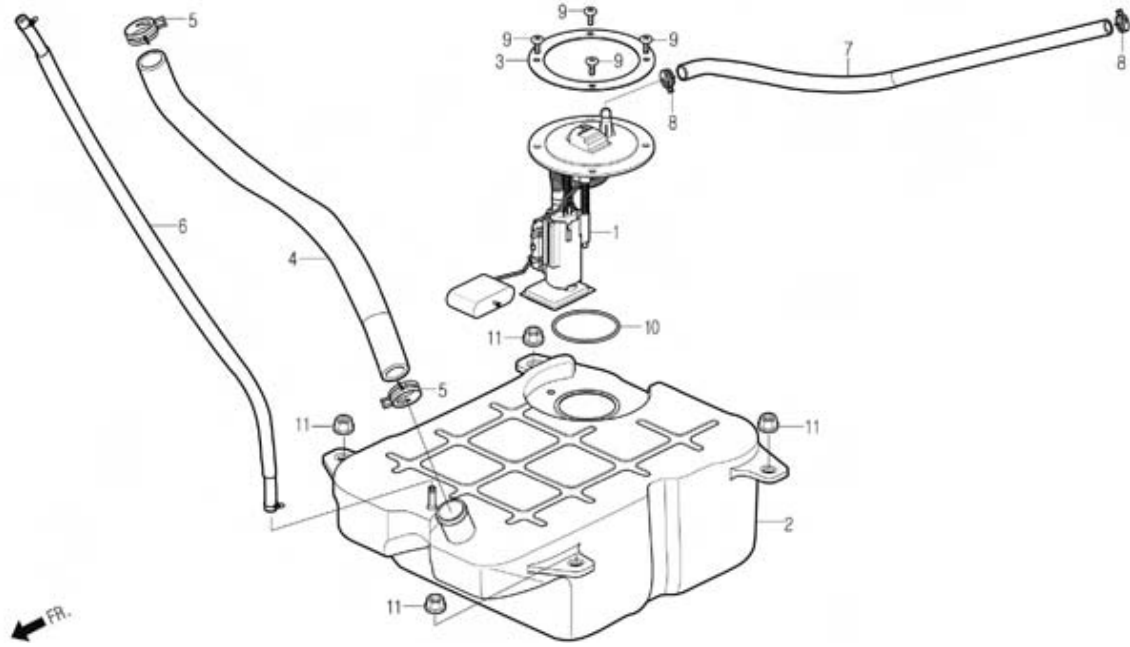
Floor Side Cover / Under Cover



Service item	FRT	Ref. No.	Part No.	Description	QTY	A/S	Exch	Start Date	Start FRM.No	End FRM.No
COVER, RH.FLOOR SIDE	0.2	1	50613-SZ1-0000-DB	COVER, RH.FLOOR SIDE(D/BULE)	1	Y		20061113	KMYSA4BLS7C300001	
COVER, LH.FLOOR SIDE	0.2		50613-SZ1-0000-GB	COVER, RH.FLOOR SIDE(G/BULE)	1	Y		20061113	KMYSA4BLS7C300001	
COVER, UNDER	0.3		50613-SZ1-0000-SL	COVER, RH.FLOOR SIDE(SILVER)	1	Y		20061113	KMYSA4BLS7C300001	
PANEL SET, FLOOR	0.6		50613-SZ1-0000-TR	COVER, RH.FLOOR SIDE(O/RED)	1	Y		20061113	KMYSA4BLS7C300001	
			50613-SZ1-0000-TY	COVER, RH.FLOOR SIDE(T/GRAY)	1	Y		20061113	KMYSA4BLS7C300001	
		2	50614-SZ1-0000-DB	COVER, LH.FLOOR SIDE(D/BLUE)	1	Y		20061113	KMYSA4BLS7C300001	
			50614-SZ1-0000-GB	COVER, LH.FLOOR SIDE(G/BLUE)	1	Y		20061113	KMYSA4BLS7C300001	
			50614-SZ1-0000-SL	COVER, LH.FLOOR SIDE(SILVER)	1	Y		20061113	KMYSA4BLS7C300001	
			50614-SZ1-0000-TR	COVER, LH.FLOOR SIDE(O/RED)	1	Y		20061113	KMYSA4BLS7C300001	
			50614-SZ1-0000-TY	COVER, LH.FLOOR SIDE(T/GRAY)	1	Y		20061113	KMYSA4BLS7C300001	
		3	50621-SA4-R300	COVER, UNDER	1	Y		20061113	KMYSA4BLS7C300001	
		4	6431A-SA4-R300	SET, FLOOR PANEL	1	Y		20061113	KMYSA4BLS7C300001	
		5	64310-SA4-R300	PANEL, FLOOR	1	N		20061113	KMYSA4BLS7C300001	
		6	64311-SE1-RB00	CAP A, FLOOR PANEL	2	Y		20061113	KMYSA4BLS7C300001	
		7	64320-SZ1-0000	MAT, FLOOR	1	Y		20061113	KMYSA4BLS7C300001	
		8	90192-SB1-0000	SCREW, SPECIAL 5x12	8	Y		20061113	KMYSA4BLS7C300001	
		9	90677-SE5-0030	NUT, CLIP 5mm	7	Y		20061113	KMYSA4BLS7C300001	
		10	90683-SE5-0030	CLIP, BODY COVER	6	Y		20061113	KMYSA4BLS7C300001	
		11	S3404-06020-08	BOLT, WASHER 6x20	6	Y		20061113	KMYSA4BLS7C300001	
		12	S3891-05014-08	SCREW, WASHER 5x14	4	Y		20061113	KMYSA4BLS7C300001	
		13	S3903-25380	SCREW, TAPPING 5x16	2	Y		20061113	KMYSA4BLS7C300001	

F-15

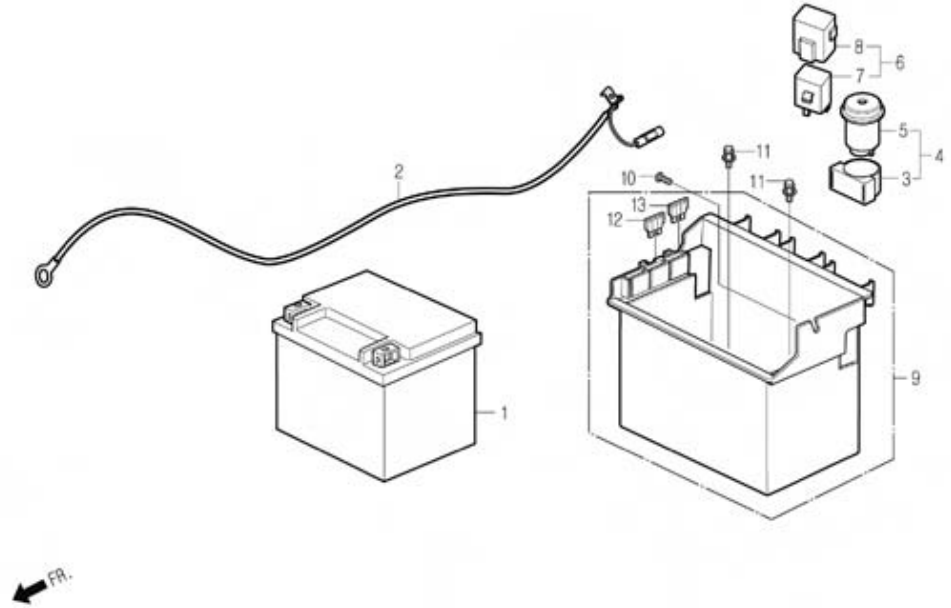
Fuel Tank



Service item	FRT	Ref. No.	Part No.	Description	QTY	A/S	Exch	Start Date	Start FRM.No	End FRM.No
PUMP ASS'Y, FUEL TANK COMP., FUEL	0.5 0.8	1	16700-SA4-R300-M1	PUMP ASS'Y, FUEL	1	Y		20061113	KMYSA4BLS7C300001	
		2	17510-SA4-R300	TANK COMP., FUEL	1	Y		20061113	KMYSA4BLS7C300001	
		3	17514-SA4-R300	PLATE, FUEL PUMP SETTING	1	Y		20061113	KMYSA4BLS7C300001	
		4	17610-SZ1-0000	TUBE, FUEL SUPPLY	1	Y		20061113	KMYSA4BLS7C300001	
		5	17612-SZ1-0000	CLIP, TUBE	2	Y		20061113	KMYSA4BLS7C300001	
		6	17615-SZ1-0000	TUBE, BREATHER 5.3x540	1	Y		20061113	KMYSA4BLS7C300001	
		7	17636-SA4-R300	HOSE, FUEL 8x470	1	Y		20061113	KMYSA4BLS7C300001	
		8	17637-BA1-R300	CLIP, FUEL HOSE	2	Y		20061113	KMYSA4BLS7C300001	
		9	90192-SB1-0000	SCREW, SPECIAL 5x12	4	Y		20061113	KMYSA4BLS7C300001	
		10	91305-SA4-R300	O-RING 67x5	1	Y		20061113	KMYSA4BLS7C300001	
		11	S4050-06080	NUT, FLANGE 6mm	4	Y		20061113	KMYSA4BLS7C300001	

F-16

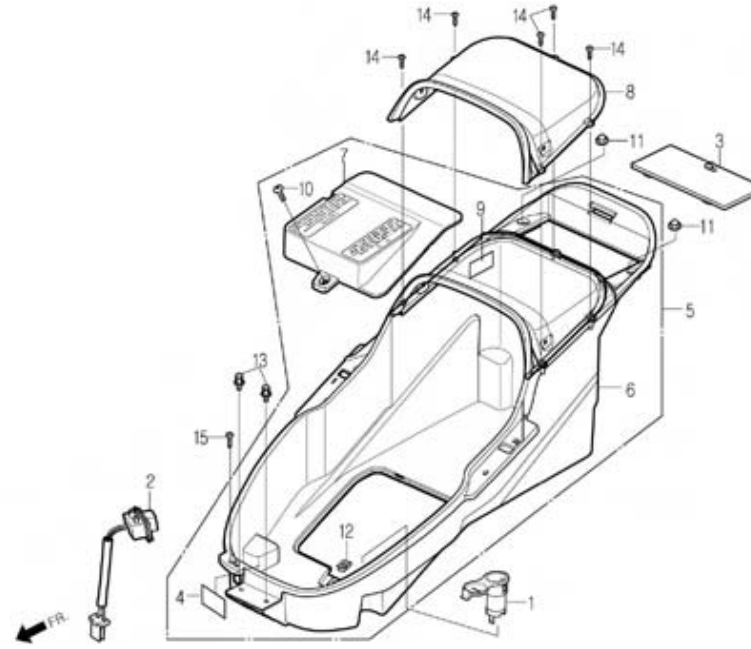
Battery



Service item	FRT	Ref. No.	Part No.	Description	QTY	A/S	Exch	Start Date	Start FRM.No	End FRM.No
BATTERY ASS'Y 12V 10A(MF)	0.5	1	31500-BA4-0000-M1	BATTERY 12V 10A(MF)	1	Y		20061113	KMYSA4BLS7C300001	
RELAY ASS'Y, AUDIBLE PILOT WINKER	0.2	2	32601-SA4-0000	CABLE, BATTERY EARTH	1	Y		20061113	KMYSA4BLS7C300001	
	0.2	3	35856-SE4-0000	RUBBER, WINKER RELAY SHOCK	1	N		20061113	KMYSA4BLS7C300001	
RELAY ASS'Y, LIGHT		4	3830A-SE4-0001	RELAY ASS'Y, AUDIBLE PILOT WINKER	1	Y		20061113	KMYSA4BLS7C300001	
		5	38301-BA6-0301-P	RELAY COMP., AUDIBLE PILOT WINKER	1	N		20061113	KMYSA4BLS7C300001	
		6	38500-BA4-0000	RELAY ASS'Y, LIGHT	1	Y		20061113	KMYSA4BLS7C300001	
		7	38501-SE6-9800	RELAY COMP., START	1	N		20061113	KMYSA4BLS7C300001	
		8	38506-BA4-0000	SUSPENSION, LIGHT RELAY	1	N		20061113	KMYSA4BLS7C300001	
		9	50320-SA4-R300	BOX ASS'Y, BATTERY	1	Y		20061113	KMYSA4BLS7C300001	
		10	90192-SE3-0000	SCREW, SPECIAL 5x14	1	Y		20061113	KMYSA4BLS7C300001	
		11	S3404-06016-08	BOLT, WASHER 6x16	2	Y		20061113	KMYSA4BLS7C300001	
		12	S8200-31500	FUSE, BLADE 15A	1	Y		20061113	KMYSA4BLS7C300001	
		13	S8200-33000	FUSE, BLADE 30A	1	Y		20061113	KMYSA4BLS7C300001	

F-17

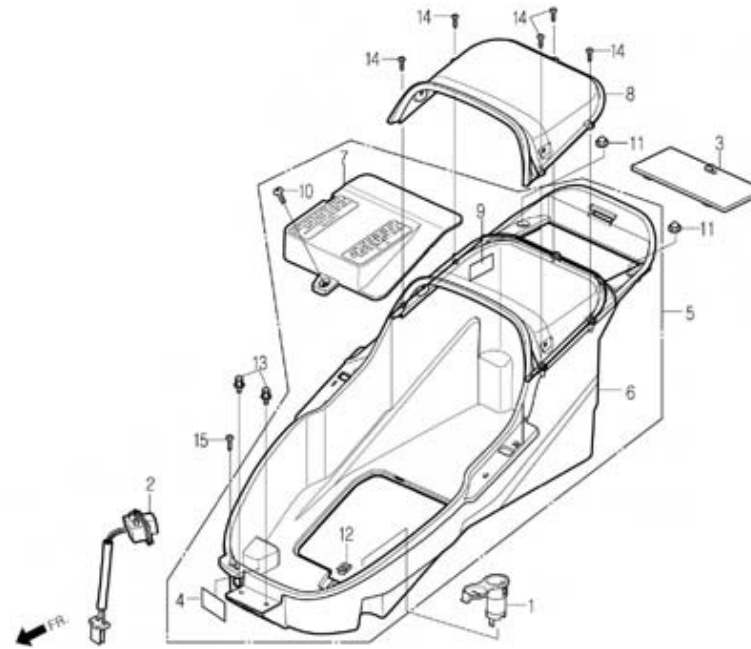
LUGGAGE BOX



Service item	FRT	Ref. No.	Part No.	Description	QTY	A/S	Exch	Start Date	Start FRM.No	End FRM.No
LAMP, TRUNK	0.2	1	30800-SA3-0000	SOCKET COMP., CHARGE	1	Y		20061113	KMYSA4BLS7C300001	
BOX, LUGGAGE	0.3	2	33900-SA1-0110-M1	LAMP, TRUNK	1	Y		20061113	KMYSA4BLS7C300001	
TOP COVER, LUGGAGE BOX	0.1	3	50326-SZ1-0000	COVER, BATTERY	1	Y		20061113	KMYSA4BLS7C300001	
		4	81218-SE5-3000-B1	LABEL, LUGGAGE BOX CAUTION(ENGLISH)	1	Y		20061113	KMYSA4BLS7C300001	
			81218-SA1-RB00	LABEL, LUGGAGE BOX CAUTION(GERMAN)	1	Y		20061113	KMYSA4BLS7C300001	
			81218-SE5-RC00	LABEL, LUGGAGE BOX CAUTION(ITALIAN)	1	Y		20061113	KMYSA4BLS7C300001	
			81218-SE5-RE00	LABEL, LUGGAGE BOX CAUTION(FRENCH)	1	Y		20061113	KMYSA4BLS7C300001	
			81218-SE5-RJ00	LABEL, LUGGAGE BOX CAUTION(SPANISH)	1	Y		20061113	KMYSA4BLS7C300001	
		5	8125A-SA4-R300	BOX ASS'Y, LUGGAGE(ENGLISH)	1	Y		20061113	KMYSA4BLS7C300001	
			8125A-SA4-RB20	BOX ASS'Y, LUGGAGE(GERMAN)	1	Y		20061113	KMYSA4BLS7C300001	
			8125A-SA4-RC20	BOX ASS'Y, LUGGAGE(ITALIAN)	1	Y		20061113	KMYSA4BLS7C300001	
			8125A-SA4-RE20	BOX ASS'Y, LUGGAGE(FRENCH)	1	Y		20061113	KMYSA4BLS7C300001	
			8125A-SA4-RJ20	BOX ASS'Y, LUGGAGE(SPANISH)	1	Y		20061113	KMYSA4BLS7C300001	
		6	81250-SA4-R300	BOX, LUGGAGE	1	N		20061113	KMYSA4BLS7C300001	
		7	81251-SA4-R300	COVER, CARBURETOR MAINTENANCE	1	Y		20061113	KMYSA4BLS7C300001	
		8	81255-SZ1-0000	TOP COVER, LUGGAGE BOX	1	Y		20061113	KMYSA4BLS7C300001	
		9	87565-SA4-R300	CONTROL LABEL, ANTI-TAMPERING	1	N		20061113	KMYSA4BLS7C300001	
		10	90124-CB4-0010	SCREW, SPECIAL 6x16	1	N		20061113	KMYSA4BLS7C300001	
		11	90301-SB1-0000	NUT, OPEN STAY 6mm	2	Y		20061113	KMYSA4BLS7C300001	
		12	90305-SE5-1001	NUT, CLIP 6mm	1	Y		20061113	KMYSA4BLS7C300001	
		13	S3404-06016-08	BOLT, WASHER 6x16	2	Y		20061113	KMYSA4BLS7C300001	
		14	S3903-25380	SCREW, TAPPING 5x16	5	Y		20061113	KMYSA4BLS7C300001	

F-17

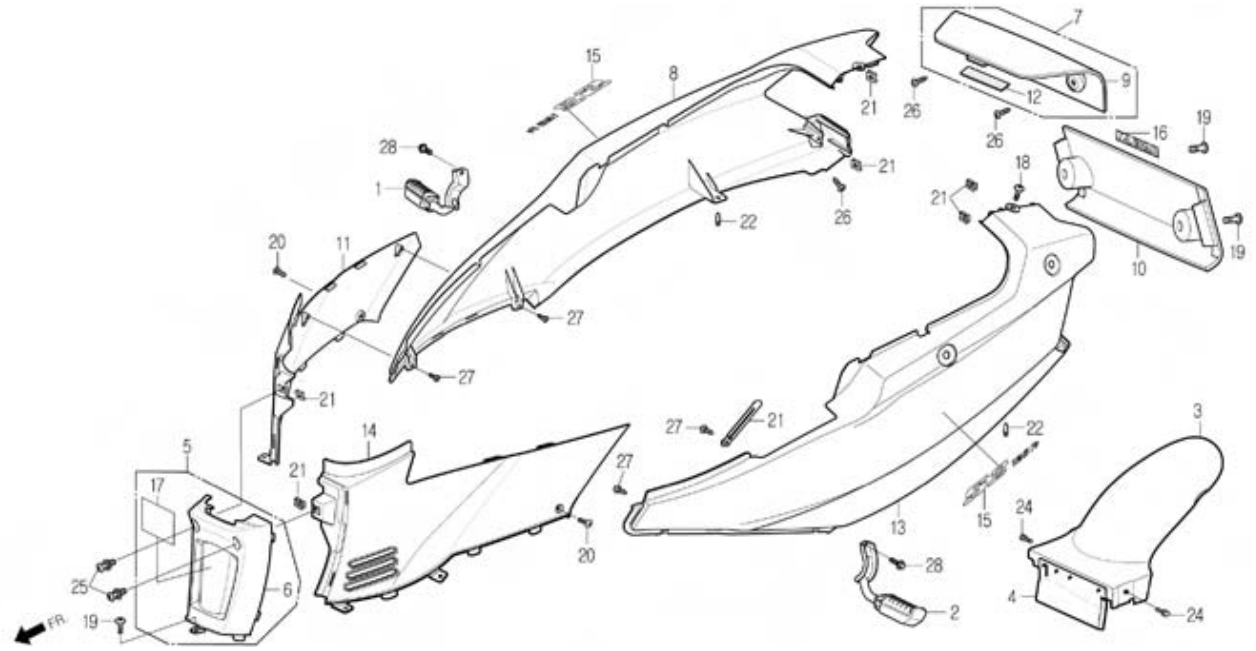
LUGGAGE BOX



Service item	FRT	Ref. No.	Part No.	Description	QTY	A/S	Exch	Start Date	Start FRM.No	End FRM.No
		15	S3903-45320	SCREW, TAPPING 5x16	1	Y		20061113	KMYSA4BLS7C300001	

F-18

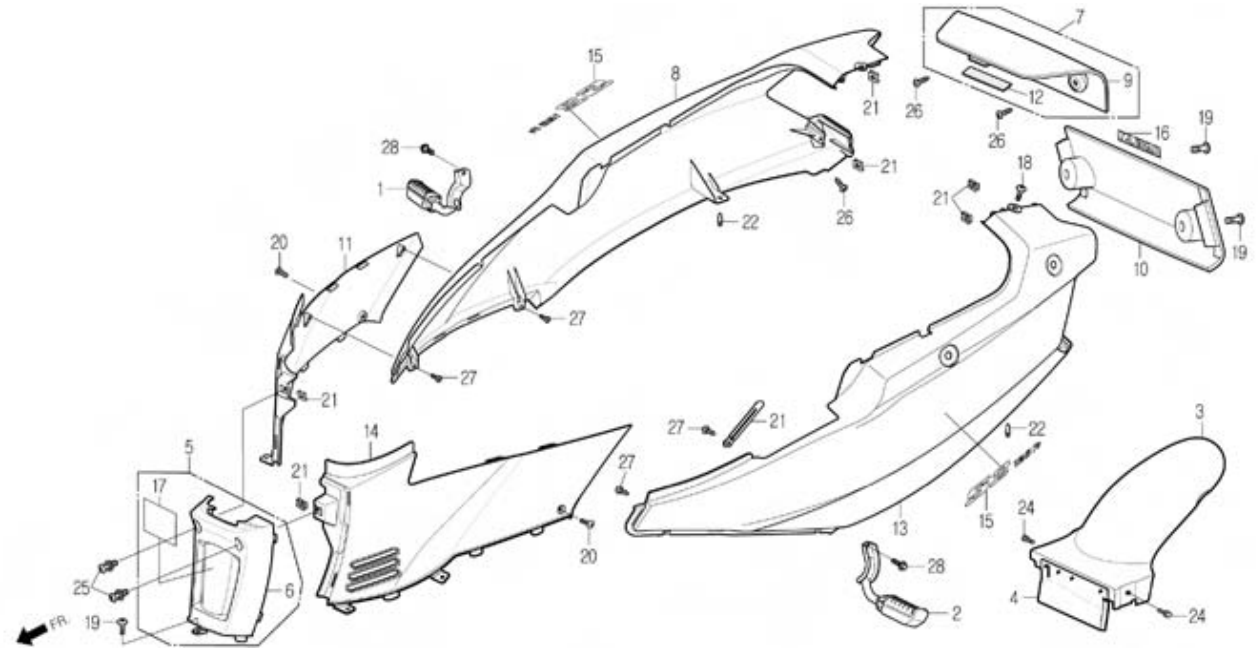
Center Cover / Body Cover



Service item	FRT	Ref. No.	Part No.	Description	QTY	A/S	Exch	Start Date	Start FRM.No	End FRM.No
MUDGUARD, RR.WHEEL	0.2	1	50601-SZ1-0000	BAR ASS'Y, RH.PILLION STEP	1	Y		20061113	KMYSA4BLS7C300001	
COVER, CENTER	0.2	2	50602-SZ1-0000	BAR ASS'Y, LH.PILLION STEP	1	Y		20061113	KMYSA4BLS7C300001	
COVER, RH.BODY SIDE	0.3	3	61120-SA1-RB12-BK	MUDGUARD, RR.WHEEL(BLACK)	1	Y		20061113	KMYSA4BLS7C300001	
COVER, RH.BODY	0.5	4	80104-SA1-0000	PLATE, SPLASH GUARD	1	Y		20061113	KMYSA4BLS7C300001	
COVER, LH.BODY SIDE	0.3	5	8015A-SA4-MA00	COVER ASS'Y, CENTER(ENGLISH)	1	Y		20061113	KMYSA4BLS7C300001	
COVER, LH.BODY	0.5		8015A-SA4-RB00	COVER ASS'Y, CENTER(GERMAN)	1	Y		20061113	KMYSA4BLS7C300001	
COVER, RR.UNDER			8015A-SA4-RC00	COVER ASS'Y, CENTER(ITALIAN)	1	Y		20061113	KMYSA4BLS7C300001	
COVER, RR.UPPER			8015A-SA4-RE00	COVER ASS'Y, CENTER(FRENCH)	1	Y		20061113	KMYSA4BLS7C300001	
			8015A-SA4-RJ00	COVER ASS'Y, CENTER(SPANISH)	1	Y		20061113	KMYSA4BLS7C300001	
		6	80151-SZ1-0001	COVER, CENTER	1	N		20061113	KMYSA4BLS7C300001	
		7	8350A-SZ1-0000-DB	COVER ASS'Y, RR.UPPER(D/BLUE)	1	Y		20061113	KMYSA4BLS7C300001	
			8350A-SZ1-0000-GB	COVER ASS'Y, RR.UPPER(G/BLUE)	1	Y		20061113	KMYSA4BLS7C300001	
			8350A-SZ1-0000-SL	COVER ASS'Y, RR.UPPER(SILVER)	1	Y		20061113	KMYSA4BLS7C300001	
			8350A-SZ1-0000-TR	COVER ASS'Y, RR.UPPER(O/RED)	1	Y		20061113	KMYSA4BLS7C300001	
			8350A-SZ1-0000-TY	COVER ASS'Y, RR.UPPER(T/GRAY)	1	Y		20061113	KMYSA4BLS7C300001	
		8	83500-SZ1-0000-DB	COVER, RH.BODY(D/BLUE)	1	Y		20061113	KMYSA4BLS7C300001	
			83500-SZ1-0000-GB	COVER, RH.BODY(G/BLUE)	1	Y		20061113	KMYSA4BLS7C300001	
			83500-SZ1-0000-SL	COVER, RH.BODY(SILVER)	1	Y		20061113	KMYSA4BLS7C300001	
			83500-SZ1-0000-TR	COVER, RH.BODY(O/RED)	1	Y		20061113	KMYSA4BLS7C300001	
			83500-SZ1-0000-TY	COVER, RH.BODY(T/GRAY)	1	Y		20061113	KMYSA4BLS7C300001	
		9	83502-SZ1-0000-DB	COVER, RR.UPPER(D/BLUE)	1	N		20061113	KMYSA4BLS7C300001	
			83502-SZ1-0000-GB	COVER, RR.UPPER(G/BLUE)	1	N		20061113	KMYSA4BLS7C300001	
			83502-SZ1-0000-SL	COVER, RR.UPPER(SILVER)	1	N		20061113	KMYSA4BLS7C300001	

F-18

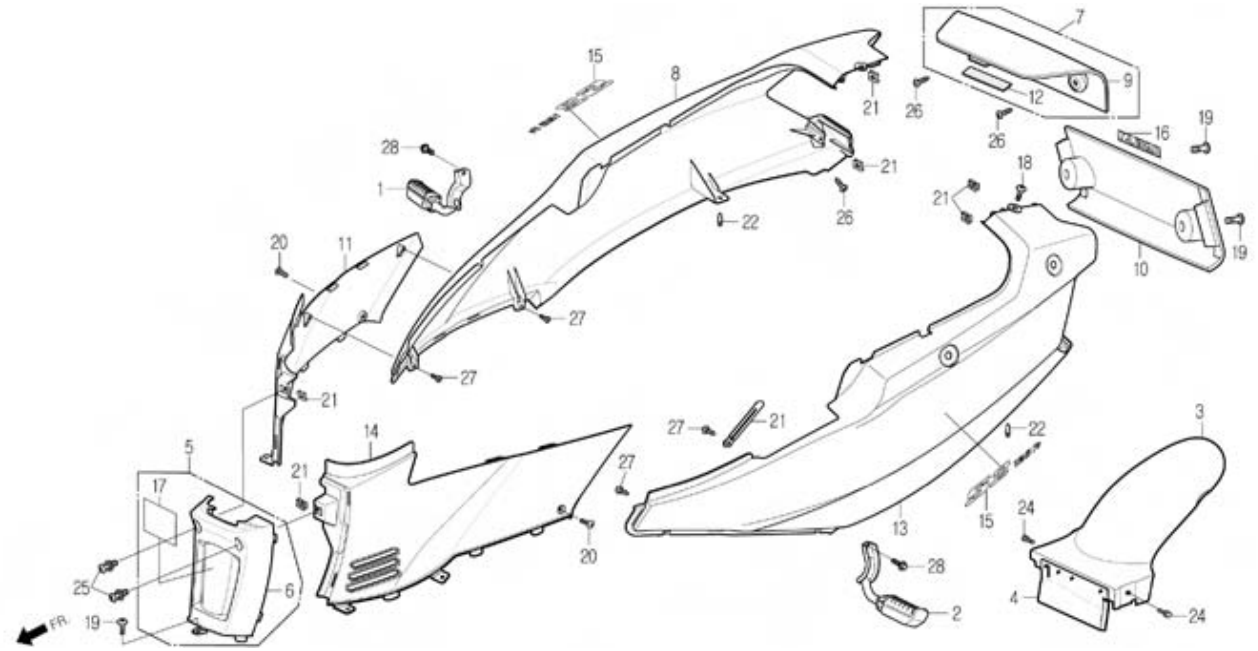
Center Cover / Body Cover



Service item	FRT	Ref. No.	Part No.	Description	QTY	A/S	Exch	Start Date	Start FRM.No	End FRM.No
			83502-SZ1-0000-TR	COVER, RR.UPPER(O/RED)	1	N		20061113	KMYSA4BLS7C300001	
			83502-SZ1-0000-TY	COVER, RR.UPPER(T/GRAY)	1	N		20061113	KMYSA4BLS7C300001	
		10	83503-SZ1-0000-DB	COVER, RR.UNDER(D/BLUE)	1	Y		20061113	KMYSA4BLS7C300001	
			83503-SZ1-0000-GB	COVER, RR.UNDER(G/BBLUE)	1	Y		20061113	KMYSA4BLS7C300001	
			83503-SZ1-0000-SL	COVER, RR.UNDER(SILVER)	1	Y		20061113	KMYSA4BLS7C300001	
			83503-SZ1-0000-TR	COVER, RR.UNDER(O/RED)	1	Y		20061113	KMYSA4BLS7C300001	
			83503-SZ1-0000-TY	COVER, RR.UNDER(T/GRAY)	1	Y		20061113	KMYSA4BLS7C300001	
		11	83506-SZ1-0002	COVER, RH.BODY SIDE	1	Y		20061113	KMYSA4BLS7C300001	
		12	83509-SZ1-0000	RUBBER, RR.UPPER COVER CUSHION	1	N		20061113	KMYSA4BLS7C300001	
		13	83600-SZ1-0000-GB	COVER, LH.BODY(G/BLUE)	1	Y		20061113	KMYSA4BLS7C300001	
			83600-SZ1-0000-DB	COVER, LH.BODY(D/BLUE)	1	Y		20061113	KMYSA4BLS7C300001	
			83600-SZ1-0000-SL	COVER, LH.BODY(SILVER)	1	Y		20061113	KMYSA4BLS7C300001	
			83600-SZ1-0000-TR	COVER, LH.BODY(O/RED)	1	Y		20061113	KMYSA4BLS7C300001	
			83600-SZ1-0000-TY	COVER, LH.BODY(T/GRAY)	1	Y		20061113	KMYSA4BLS7C300001	
		14	83606-SZ1-0002	COVER, LH.BODY SIDE	1	Y		20061113	KMYSA4BLS7C300001	
		15	87121-SA4-R300	MARK, BOOY COVER	2	Y		20061113	KMYSA4BLS7C300001	
		16	87123-SZ1-0010-BK	MARK, RR.UNDER COVER(BLACK)	1	Y		20061113	KMYSA4BLS7C300001	
			87123-SZ1-0010-SL	MARK, RR.UNDER COVER(SILVER)	1	Y		20061113	KMYSA4BLS7C300001	
		17	87505-SA4-MA00	LABEL, TIRE(ENGLISH)	1	N		20061113	KMYSA4BLS7C300001	
			87505-SA4-RB00	LABEL, TIRE(GERMAN)	1	N		20061113	KMYSA4BLS7C300001	
			87505-SA4-RC00	LABEL, TIRE(ITALIAN)	1	N		20061113	KMYSA4BLS7C300001	
			87505-SA4-RE00	LABEL, TIRE(FRENCH)	1	N		20061113	KMYSA4BLS7C300001	

F-18

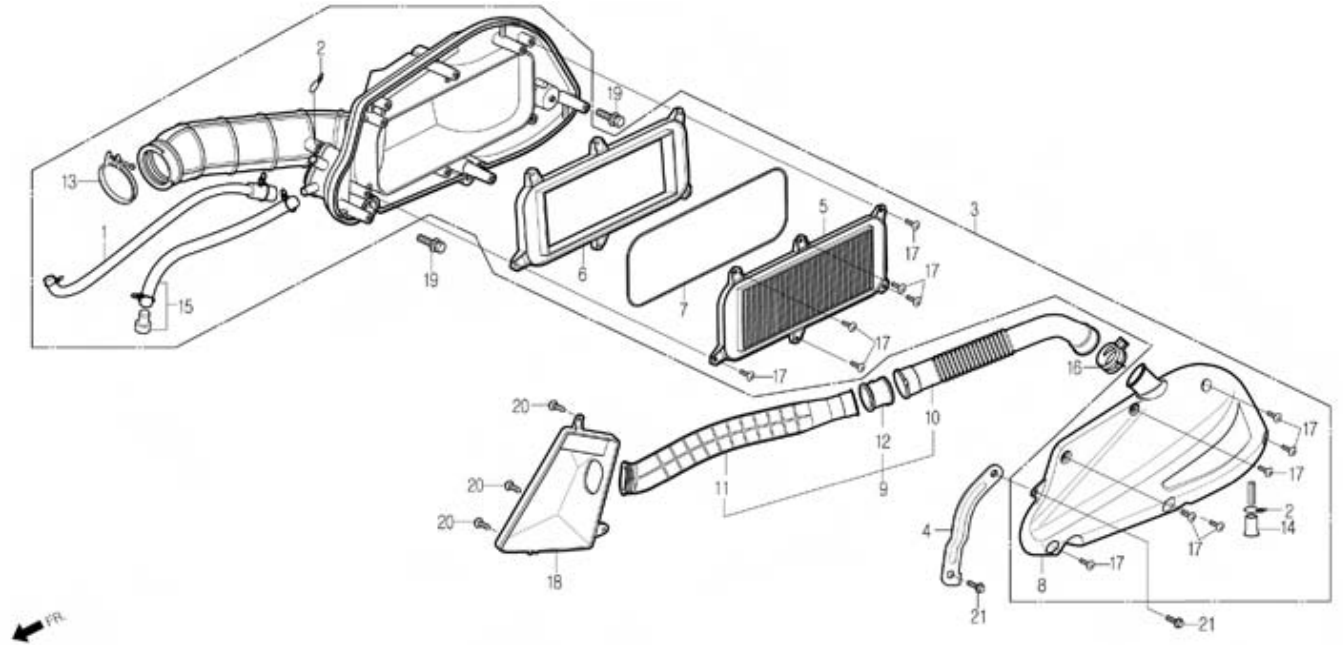
Center Cover / Body Cover



Service item	FRT	Ref. No.	Part No.	Description	QTY	A/S	Exch	Start Date	Start FRM.No	End FRM.No
			87505-SA4-RJ00	LABEL, TIRE(SPANISH)	1	N		20061113	KMYSA4BLS7C300001	
		18	90110-SE5-0001	SCREW, SPECIAL 6x14	1	Y		20061113	KMYSA4BLS7C300001	
		19	90192-SB1-0000	SCREW, SPECIAL 5x12	3	Y		20061113	KMYSA4BLS7C300001	
		20	90192-SE3-0000	SCREW, SPECIAL 5x14	2	Y		20061113	KMYSA4BLS7C300001	
		21	90677-SE5-0030	NUT, CLIP 5mm	6	Y		20061113	KMYSA4BLS7C300001	
		22	90683-SE5-0030	CLIP, BODY COVER	2	Y		20061113	KMYSA4BLS7C300001	
		23	91411-BA6-9600	CLIP 2x90	1	Y		20061113	KMYSA4BLS7C300001	
		24	S3404-06016-08	BOLT, WASHER 6x16	2	Y		20061113	KMYSA4BLS7C300001	
		25	S3891-05014-08	SCREW, WASHER 5x14	2	Y		20061113	KMYSA4BLS7C300001	
		26	S3903-24220	SCREW, TAPPING 4x10	3	Y		20061113	KMYSA4BLS7C300001	
		27	S3903-25280	SCREW, TAPPING 5x12	4	Y		20061113	KMYSA4BLS7C300001	
		28	S5701-08016-08	BOLT, FLANGE 8x16	2	Y		20061113	KMYSA4BLS7C300001	

F-19

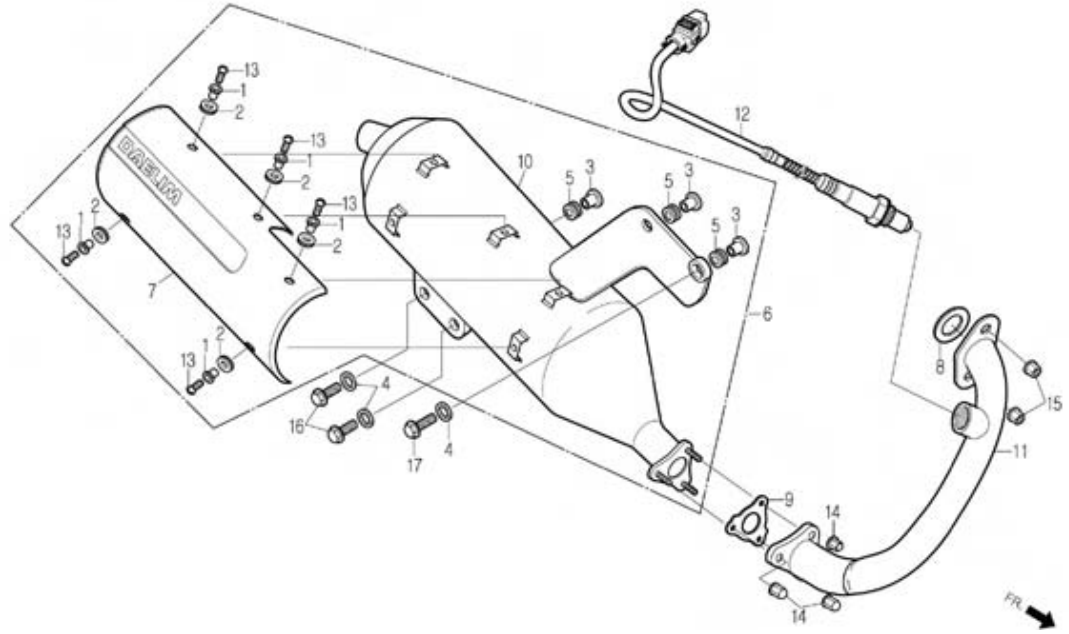
Air Cleaner



Service item	FRT	Ref. No.	Part No.	Description	QTY	A/S	Exch	Start Date	Start FRM.No	End FRM.No
CLEANER ASS'Y, AIR	0.5	1	1122B-SA4-R300	TUBE B ASS'Y, BREATHER	1	Y		20061113	KMYSA4BLS7C300001	
DUCT A, AIR CLEANER INLET	0.3	2	15772-BA7-0101	CLIP, BREATHER TUBE	2	N		20061113	KMYSA4BLS7C300001	
DUCT B, AIR CLEANER INLET	0.2	3	17200-SA4-R300	CLEANER ASS'Y, AIR	1	Y		20061113	KMYSA4BLS7C300001	
DUCT C, AIR CLEANER INLET		4	17209-SA4-0000	STAY COMP., AIR CLEANER B	1	Y		20061113	KMYSA4BLS7C300001	
ELEMENT COMP., AIR CLEANER		5	17211-SZ1-0011	ELEMENT COMP., AIR CLEANER	1	Y		20061113	KMYSA4BLS7C300001	
COVER ASS'Y, AIR CLEANER		6	17213-SZ1-0000	SEAL, AIR CLEANER COVER	1	N		20061113	KMYSA4BLS7C300001	
		7	17214-SZ1-0000	SEAL, ELEMENT	1	N		20061113	KMYSA4BLS7C300001	
		8	17230-SZ1-0000	COVER ASS'Y, AIR CLEANER	1	Y		20061113	KMYSA4BLS7C300001	
		9	17240-SZ1-0000	DUCT ASS'Y, AIR CLEANER INLET	1	Y		20061113	KMYSA4BLS7C300001	
		10	17241-SZ1-0000	DUCT A, AIR CLEANER INLET	1	Y		20061113	KMYSA4BLS7C300001	
		11	17242-SZ1-0000	DUCT B, AIR CLEANER INLET	1	Y		20061113	KMYSA4BLS7C300001	
		12	17243-SZ1-0000	DUCT C, AIR CLEANER INLET	1	Y		20061113	KMYSA4BLS7C300001	
		13	17256-SZ1-0000	BAND 50,AIR/C CONN. TUBE	1	Y		20061113	KMYSA4BLS7C300001	
		14	17358-BA7-0000	TUBE, DRAIN	1	N		20061113	KMYSA4BLS7C300001	
		15	1737A-SZ1-0000	TUBE ASS'Y, DRAIN	1	Y		20061113	KMYSA4BLS7C300001	
		16	17612-SZ1-0000	CLIP, TUBE	1	Y		20061113	KMYSA4BLS7C300001	
		17	17891-SZ1-0000	SCREW, SPECIAL 5x16	12	N		20061113	KMYSA4BLS7C300001	
		18	83607-SZ1-0000	COVER, AIR DUCT	1	Y		20061113	KMYSA4BLS7C300001	
		19	S3404-06032-08	BOLT, WASHER 6x32	2	Y		20061113	KMYSA4BLS7C300001	
		20	S3903-24220	SCREW, TAPPING 4x10	3	Y		20061113	KMYSA4BLS7C300001	
		21	S5701-06012-07	BOLT, FLANGE 6x12	2	Y		20061113	KMYSA4BLS7C300001	

F-20

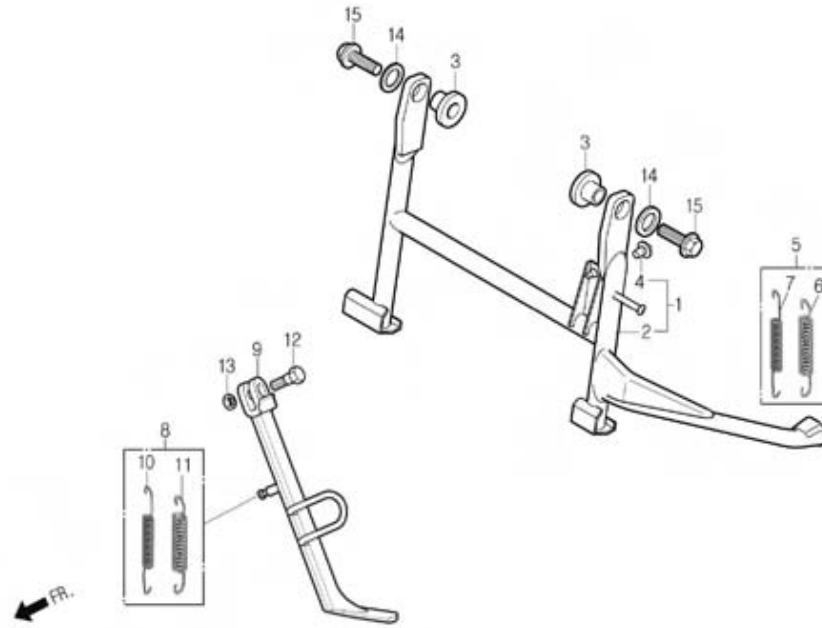
Exhaust Muffler



Service item	FRT	Ref. No.	Part No.	Description	QTY	A/S	Exch	Start Date	Start FRM.No	End FRM.No
MUFFLER COMP.	0.3	1	18201-SA1-0000	COLLAR, MUFFLER PROTECTOR	5	Y		20061113	KMYSA4BLS7C300001	
PROTECTOR, MUFFLER	0.1	2	18202-SA1-0000	RUBBER, PROTECTOR	5	Y		20061113	KMYSA4BLS7C300001	
PIPE COMP., EXHAUST	0.5	3	18203-SA1-0000	COLLAR, MUFFLER MOUNT	3	Y		20061113	KMYSA4BLS7C300001	
WASHER, EXHAUST PIPE		4	18204-SA1-0000	WASHER, MUFFLER MOUNT	3	Y		20061113	KMYSA4BLS7C300001	
RUBBER, EXHAUST PIPE		5	18205-SA1-0000	RUBBER, MUFFLER MOUNT	3	Y		20061113	KMYSA4BLS7C300001	
		6	18210-SA4-R300	SUB ASS'Y, MUFFLER	1	Y		20061113	KMYSA4BLS7C300001	
		7	18240-SA4-0000	PROTECTOR, MUFFLER	1	N		20061113	KMYSA4BLS7C300001	
		8	18291-SE5-5000-EU	GASKET, EXHAUST PIPE	1	Y		20061113	KMYSA4BLS7C300001	
		9	18292-SA4-0001	GASKET, EXHAUST PIPE FLANGE	1	Y		20061113	KMYSA4BLS7C300001	
		10	18310-SA4-R300	MUFFLER COMP.	1	N		20061113	KMYSA4BLS7C300001	
		11	18320-SA4-R300	PIPE COMP., EXHAUST	1	Y		20061113	KMYSA4BLS7C300001	
		12	18410-BA1-R300-M1	SENSOR, OXYGEN	1	Y		20061113	KMYSA4BLS7C300001	
		13	90002-SA1-0000	SCREW, TORUS WASHER6x13	5	Y		20061113	KMYSA4BLS7C300001	
		14	90304-BA7-0002	NUT, HEX CAP 6mm	3	Y		20061113	KMYSA4BLS7C300001	
		15	S4050-06080	NUT, FLANGE 6mm	2	Y		20061113	KMYSA4BLS7C300001	
		16	S5801-08035-08	BOLT, FLANGE 8x35	2	Y		20061113	KMYSA4BLS7C300001	
		17	S5801-08055-08	BOLT, FLANGE 8x55	1	Y		20061113	KMYSA4BLS7C300001	

F-21

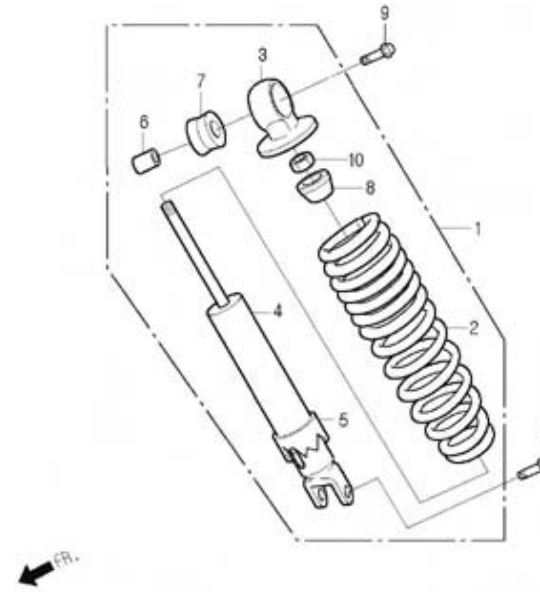
Stand



Service item	FRT	Ref. No.	Part No.	Description	QTY	A/S	Exch	Start Date	Start FRM.No	End FRM.No
STAND ASS'Y, MAIN	0.4	1	5050A-SA1-0100	STAND ASS'Y, MAIN	1	Y		20061113	KMYSA4BLS7C300001	
=SPRING SET, MAIN STAND	0.2	2	50500-SA1-0102	STAND COMP., MAIN	1	N		20061113	KMYSA4BLS7C300001	
=STOPPER RUBBER, MAIN STAND		3	50504-SA1-0000	COLLAR, MAIN STAND	2	Y		20061113	KMYSA4BLS7C300001	
=STAND COMP., MAIN		4	50505-SC1-0101	STOPPER RUBBER, STAND	1	Y		20061113	KMYSA4BLS7C300001	
=BAR COMP., SIDE STAND		5	5052A-SE5-5000-EU	SPRING SET, MAIN STAND	1	Y		20061113	KMYSA4BLS7C300001	
=SPRING SET, SIDE STAND		6	50520-SE5-5000-EU	SPRING, MAIN STAND OUTER	1	N		20061113	KMYSA4BLS7C300001	
		7	50521-SE5-5000-EU	SPRING, MAIN STAND INNER	1	N		20061113	KMYSA4BLS7C300001	
		8	5053A-SE1-RB00	SPRING SET, SIDE STAND	1	Y		20061113	KMYSA4BLS7C300001	
		9	50530-SZ1-0010	BAR COMP., SIDE STAND	1	Y		20061113	KMYSA4BLS7C300001	
		10	50532-SE1-RB00	SPRING, SIDE STAND INNER	1	N		20061113	KMYSA4BLS7C300001	
		11	50533-SE1-RB00	SPRING, SIDE STAND OUTER	1	N		20061113	KMYSA4BLS7C300001	
		12	90108-BA6-0000	SCREW, SIDE STAND PIVOT	1	Y		20061113	KMYSA4BLS7C300001	
		13	S4030-10080	NUT, HEX 10mm	1	Y		20061113	KMYSA4BLS7C300001	
		14	S4101-10800	WASHER, PLAIN 10mm	2	Y		20061113	KMYSA4BLS7C300001	
		15	S5801-10035-08	BOLT, FLANGE 10x35	2	Y		20061113	KMYSA4BLS7C300001	

F-22

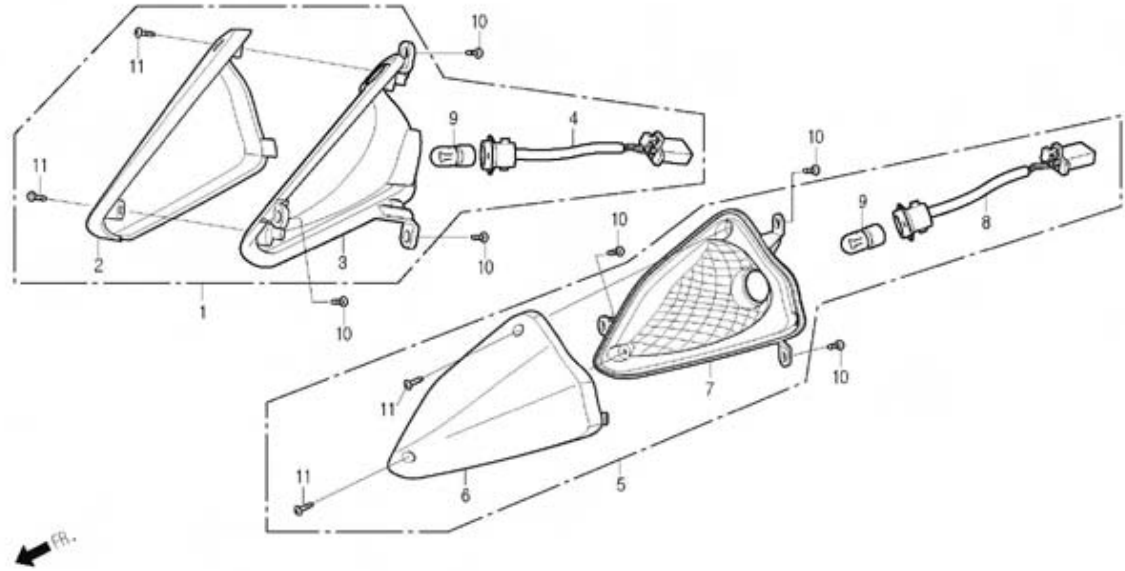
Rear Cushion



Service item	FRT	Ref. No.	Part No.	Description	QTY	A/S	Exch	Start Date	Start FRM.No	End FRM.No
CUSHION ASS'Y, RR. (ADD 0.2 FOR EACH) DAMPER COMP., RR.	0.4 0.6	1	52400-SA4-0010	CUSHION ASS'Y, RR.	2	Y		20061113	KMYSA4BLS7C300001	
		2	52401-SZ1-0010	SPRING, RR.CUSHION	2	N		20061113	KMYSA4BLS7C300001	
		3	52403-BA7-9000	METAL, UPPER	1	N		20061113	KMYSA4BLS7C300001	
		4	52410-SA4-0000	DAMPER COMP., RR.	1	N		20061113	KMYSA4BLS7C300001	
		5	52422-BA6-0032	ADJUSTER, SPRING	1	N		20061113	KMYSA4BLS7C300001	
		6	52485-SE5-9011-M1	BUSH, RR.CUSHION RUBBER	1	N		20061113	KMYSA4BLS7C300001	
		7	52486-SE5-0031	COLLAR, RUBBER BUSH	1	N		20061113	KMYSA4BLS7C300001	
		8	52517-BA6-0030	RUBBER, STOPPER	1	N		20061113	KMYSA4BLS7C300001	
		9	90108-CB3-0000	BOLT, RR.CUSHION UNDER	2	Y		20061113	KMYSA4BLS7C300001	
		10	S4002-10000-0S	NUT, HEX 10mm	1	N		20061113	KMYSA4BLS7C300001	

F-23

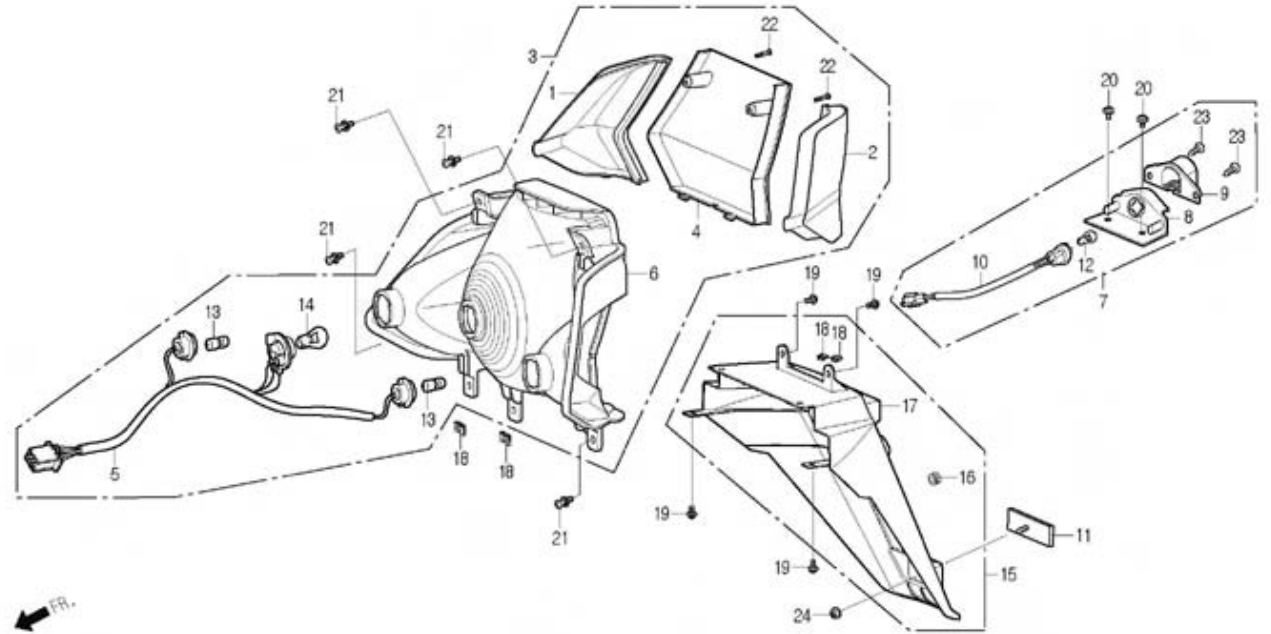
Front Winker



Service item	FRT	Ref. No.	Part No.	Description	QTY	A/S	Exch	Start Date	Start FRM.No	End FRM.No
WINKER ASS'Y, FR. (ADD 0.1 FOR EACH)	0.4	1	33400-SZ1-0000-M1	WINKER ASS'Y, RH.FR.	1	Y		20061113	KMYSA4BLS7C300001	
LENS, WINKER(FOR EACH)	0.1	2	33401-SZ1-0000	LENS, WINKER	1	Y		20061113	KMYSA4BLS7C300001	
SOCKET COMP., WINKER (ADD 0.1 FOR EACH)	0.4	3	33402-SZ1-0000	REFLECTOR, WINKER	1	N		20061113	KMYSA4BLS7C300001	
BULB, WINKER(12V 10W)(FOR EACH)	0.1	4	33410-SZ1-0000	SOCKET COMP., RH.WINKER	1	N		20061113	KMYSA4BLS7C300001	
		5	33450-SZ1-0000-M1	WINKER ASS'Y, LH.FR.	1	Y		20061113	KMYSA4BLS7C300001	
		6	33451-SZ1-0000	LENS, WINKER	1	Y		20061113	KMYSA4BLS7C300001	
		7	33452-SZ1-0000	REFLECTOR, WINKER	1	N		20061113	KMYSA4BLS7C300001	
		8	33460-SZ1-0000	SOCKET COMP., LH.WINKER	1	N		20061113	KMYSA4BLS7C300001	
		9	34905-SE4-0000	BULB, WINKER(12V 10W)	2	Y		20061113	KMYSA4BLS7C300001	
		10	S3903-34380	SCREW, TAPPING 4x12	6	N		20061113	KMYSA4BLS7C300001	
		11	S3903-44220	SCREW, TAPPING 4x10	4	N		20061113	KMYSA4BLS7C300001	

F-24

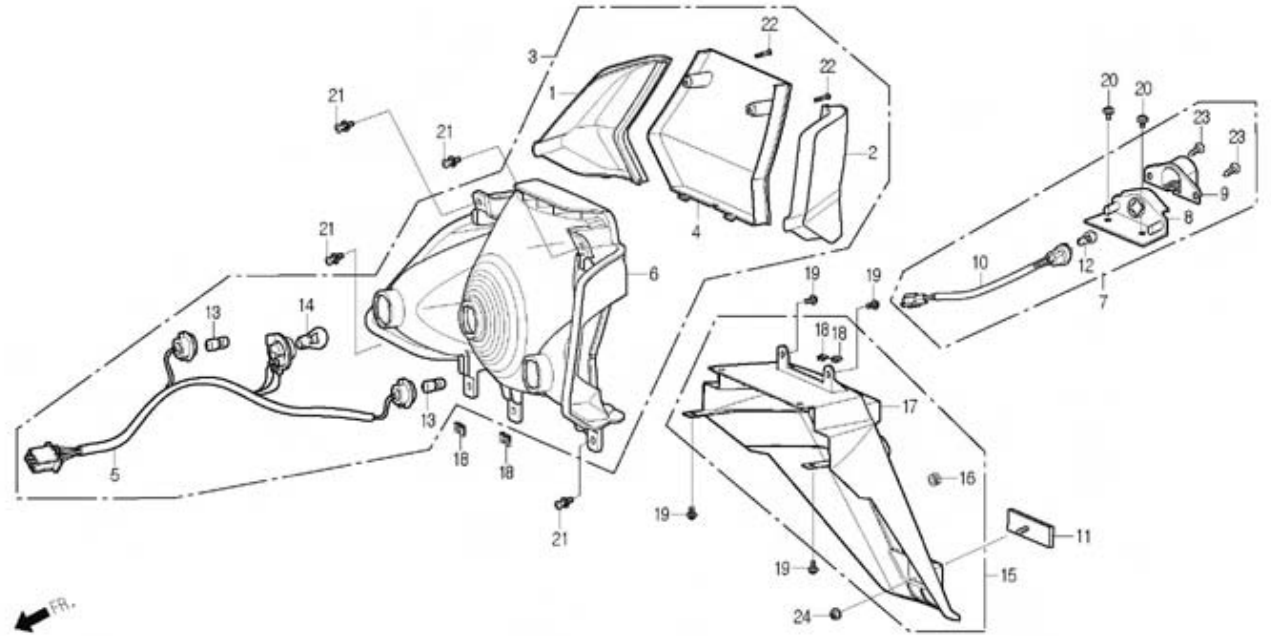
Rear Combination Light / Rear Fender



Service item	FRT	Ref. No.	Part No.	Description	QTY	A/S	Exch	Start Date	Start FRM.No	End FRM.No
LENS, RR.WINKER	0.1	1	33602-SZ1-0000	LENS, RH.RR.WINKER	1	Y		20061113	KMYSA4BLS7C300001	
LENS, TAIL LIGHT	0.1	2	33652-SZ1-0000	LENS, LH.RR.WINKER	1	Y		20061113	KMYSA4BLS7C300001	
SOCKET COMP., RR.COMINATION	0.2	3	33700-SZ1-0001-M1	LIGHT ASS'Y, RR.COMBINATION	1	Y		20061113	KMYSA4BLS7C300001	
LIGHT ASS'Y, RR.COMBINATION	0.5	3	33700-SZ1-0001-M1	LIGHT ASS'Y, RR.COMBINATION	1	Y		20061113	KMYSA4BLS7C300001	
BLUB, WINKER(12V 10W)	0.1	4	33702-SZ1-0000	LENS, TAIL LIGHT	1	Y		20061113	KMYSA4BLS7C300001	
BLUB, TAIL & STOP(12V 21W/5W)	0.1	4	33702-SZ1-0000	LENS, TAIL LIGHT	1	Y		20061113	KMYSA4BLS7C300001	
SOCKET COMP., LICENSE LAMP	0.2	5	33703-SZ1-0001	SOCKET COMP., RR.COMBINATION	1	N		20061113	KMYSA4BLS7C300001	
BLUB, MARKER LIGHT(12V 4W)	0.1	12	34902-BA7-RB00	BULB, MARKER LIGHT(12V 4W)	1	Y		20061113	KMYSA4BLS7C300001	
FENDER, RR.	0.5	6	33704-SZ1-0000	BASE, RR.COMBINATION	1	N		20061113	KMYSA4BLS7C300001	
		7	33710-SZ1-0000	PLATE ASS'Y, LICENSE	1	Y		20061113	KMYSA4BLS7C300001	
		8	33711-SE1-RB00	BASE, LICENSE LAMP	1	N		20061113	KMYSA4BLS7C300001	
		9	33712-SE1-RB00	LENS, LICENSE LAMP	1	N		20061113	KMYSA4BLS7C300001	
		10	33715-SZ1-0000	SOCKET COMP., LICENSE LAMP	1	N		20061113	KMYSA4BLS7C300001	
		11	33741-SE5-RB00-M1	REFLECTOR, REFLEX	1	Y		20061113	KMYSA4BLS7C300001	
		12	34902-BA7-RB00	BULB, MARKER LIGHT(12V 4W)	1	Y		20061113	KMYSA4BLS7C300001	
		13	34905-SE4-0000	BULB, WINKER(12V 10W)	2	Y		20061113	KMYSA4BLS7C300001	
		14	34906-BA7-RB00	BULB, TAIL & STOP(12V 21W/5W)	1	Y		20061113	KMYSA4BLS7C300001	
		15	8010A-SZ1-0000	FENDER ASS'Y, RR.	1	Y		20061113	KMYSA4BLS7C300001	
		16	80101-BA1-0001	RUBBER, LICENSE PLATE	1	Y		20061113	KMYSA4BLS7C300001	
		17	80105-SZ1-0001	FENDER, RR.	1	N		20061113	KMYSA4BLS7C300001	
		18	90677-SE5-0030	NUT, CLIP 5mm	4	Y		20061113	KMYSA4BLS7C300001	
		19	S3404-06012-08	BOLT, WASHER 6x12	4	Y		20061113	KMYSA4BLS7C300001	
		20	S3891-05010-18	SCREW, WASHER 5x10	2	Y		20061113	KMYSA4BLS7C300001	
		21	S3891-05014-08	SCREW, WASHER 5x14	4	Y		20061113	KMYSA4BLS7C300001	

F-24

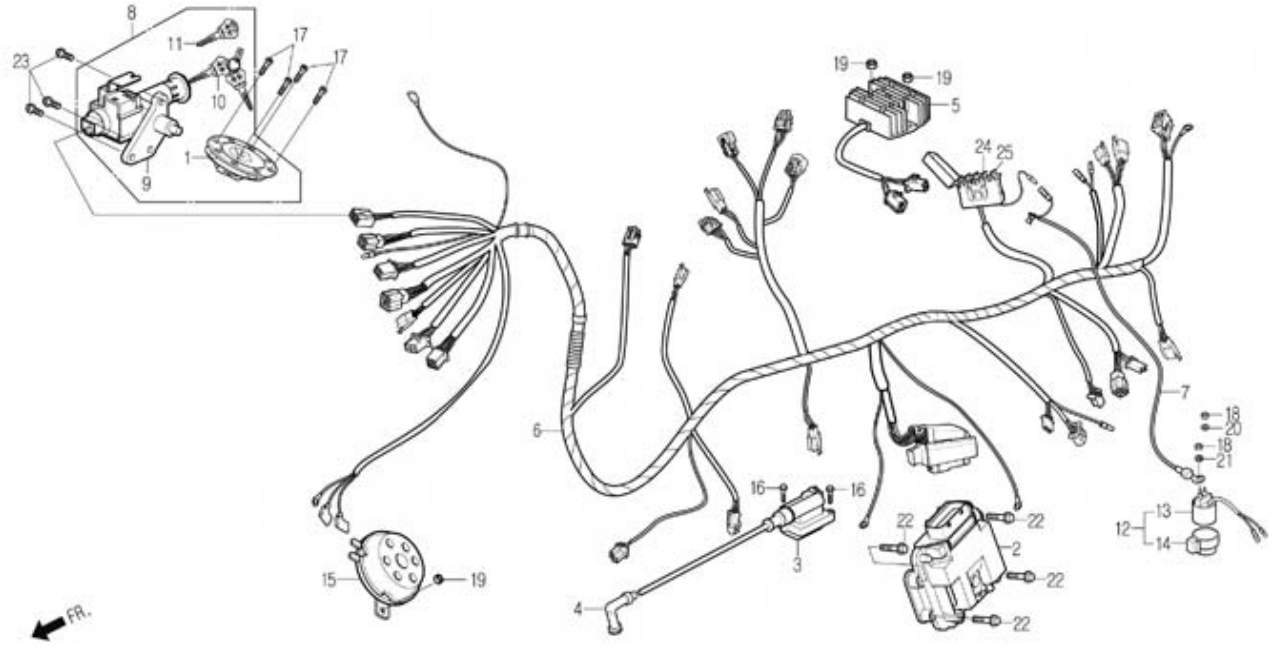
Rear Combination Light / Rear Fender



Service item	FRT	Ref. No.	Part No.	Description	QTY	A/S	Exch	Start Date	Start FRM.No	End FRM.No
		22	S3901-24580	SCREW, TAPPING 4x20	2	N		20061113	KMYSA4BLS7C300001	
		23	S3903-34310	SCREW, TAPPING 4x12	2	N		20061113	KMYSA4BLS7C300001	
		24	S4050-06080	NUT, FLANGE 6mm	1	Y		20061113	KMYSA4BLS7C300001	

F-25

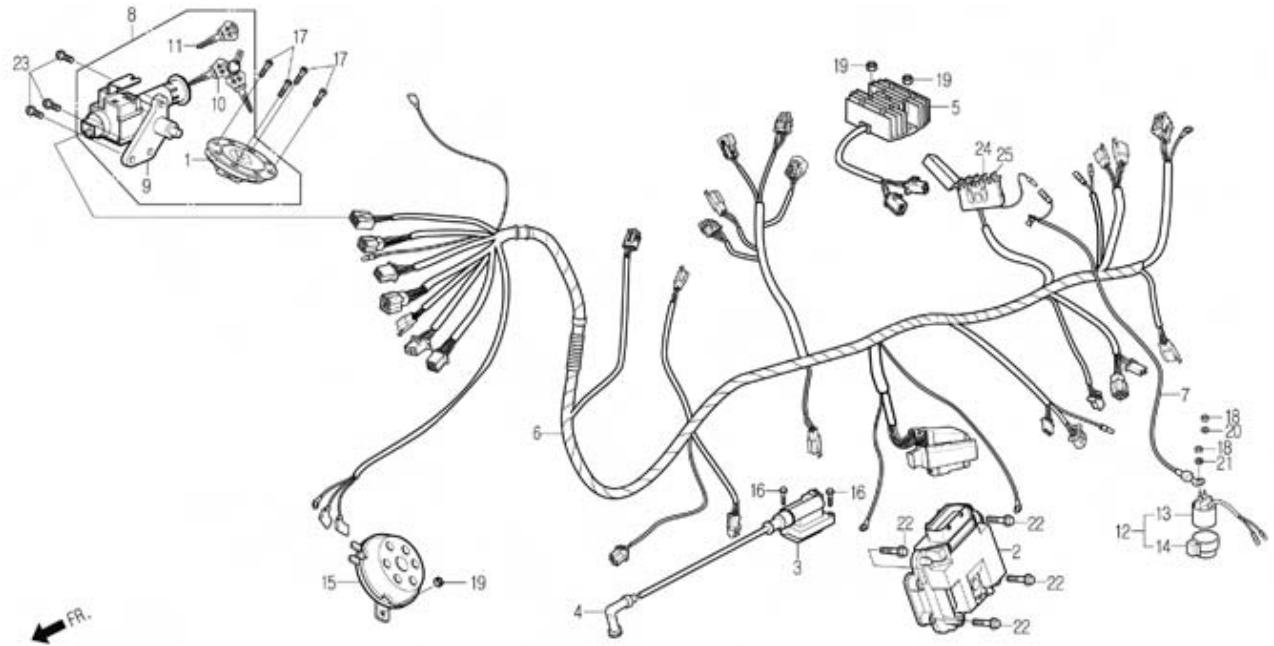
Wire Harness / Ignition Coil



Service item	FRT	Ref. No.	Part No.	Description	QTY	A/S	Exch	Start Date	Start FRM.No	End FRM.No
COIL ASS'Y, IGNITION	0.4	1	17620-BA4-0000-M1	CAP COMP., FUEL FILLER	1	N		20061113	KMYSA4BLS7C300001	
RECTIFIER COMP., REGULATOR	0.5	2	30100-SA4-R300	UNIT, ENGINE CONTROL	1	Y		20061113	KMYSA4BLS7C300001	
HARNESS, WIRE	1.6	3	30510-SA4-R300	COIL COMP., IGNITION	1	Y		20061113	KMYSA4BLS7C300001	
SET, KEY	1.0	4	30700-BA7-9002	CAP ASS'Y, NOISE SUPPRESSOR	1	Y		20061113	KMYSA4BLS7C300001	
SWITCH SET, START MAGNETIC	0.3	5	31600-SA4-0000-AS	RECTIFIER ASS'Y, REGULATOR	1	Y		20061113	KMYSA4BLS7C300001	
CABLE, START MAGNETIC BATTERY	0.2									
HORN COMP.	0.5									
		6	32100-SA4-R300	HARNESS, WIRE	1	Y		20061113	KMYSA4BLS7C300001	
		7	32401-SZ1-0000	CABLE, START MAGNETIC BATTERY(+)	1	Y		20061113	KMYSA4BLS7C300001	
		8	35010-SZ1-0000	SET, KEY	1	Y		20061113	KMYSA4BLS7C300001	
		9	35100-SZ1-0000-M1	SWITCH ASS'Y, COMBINATION & LOCK	1	N		20061113	KMYSA4BLS7C300001	
		10	35111-SZ1-0000-M1	KEY COMP.	1	N		20061113	KMYSA4BLS7C300001	
		11	35121-SZ1-0000	KEY, BLANK	1	N		20061113	KMYSA4BLS7C300001	
		12	3585A-SA4-0000	SWITCH SET, START MAGNETIC	1	Y		20061113	KMYSA4BLS7C300001	
		13	35850-SA1-0000	SWITCH ASS'Y, START MAGNETIC	1	N		20061113	KMYSA4BLS7C300001	
		14	35856-SA1-0001	RUBBER, MAGNETIC SHOCK	1	N		20061113	KMYSA4BLS7C300001	
		15	38110-SZ1-0000	HORN COMP.	1	Y		20061113	KMYSA4BLS7C300001	
		16	90112-BA7-0000	BOLT, FLANGE 5x22	2	Y		20061113	KMYSA4BLS7C300001	
		17	90152-BA4-0000	BOLT, SOCKET 5x25	4	Y		20061113	KMYSA4BLS7C300001	
		18	S4002-06080-0S	NUT, HEX 6mm(Y)	2	Y		20061113	KMYSA4BLS7C300001	
		19	S4050-06080	NUT, FLANGE 6mm	3	Y		20061113	KMYSA4BLS7C300001	
		20	S4101-06800	WASHER, PLAIN 6mm	1	Y		20061113	KMYSA4BLS7C300001	
		21	S4111-06800	WASHER, SPRING 6mm	1	Y		20061113	KMYSA4BLS7C300001	

F-25

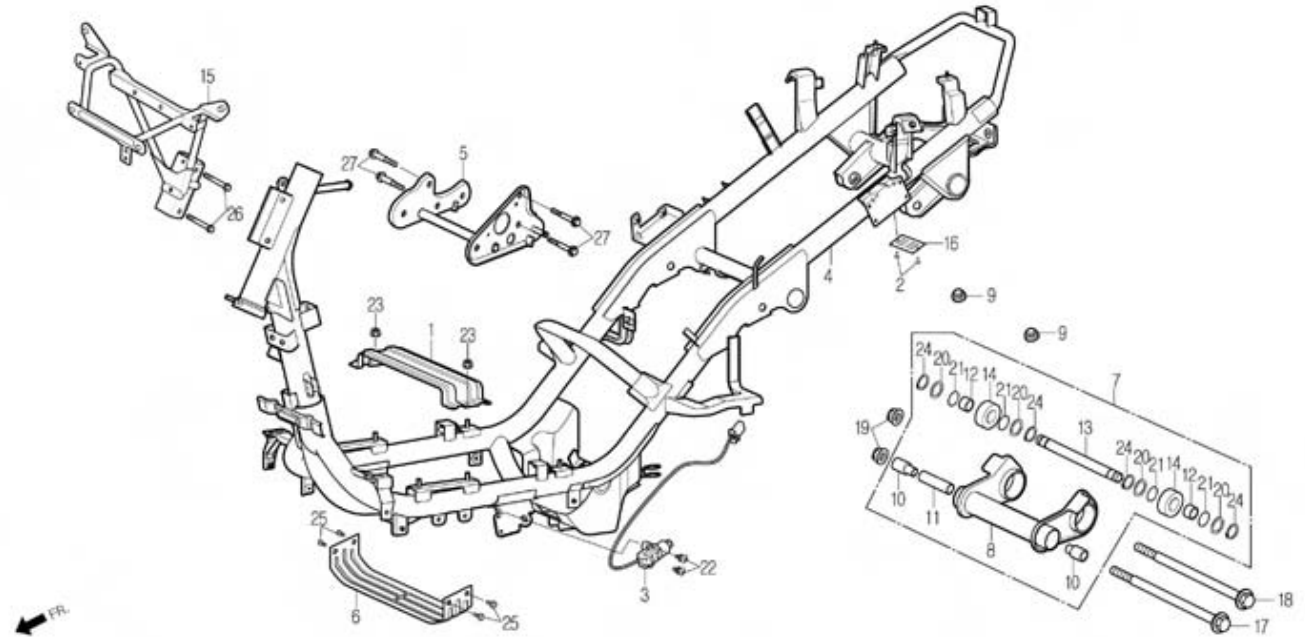
Wire Harness / Ignition Coil



Service item	FRT	Ref. No.	Part No.	Description	QTY	A/S	Exch	Start Date	Start FRM.No	End FRM.No
		22	S5701-06025-08	BOLT, FLANGE 6x25	4	Y		20061113	KMYSA4BLS7C300001	
		23	S6001-06020-00	BOLT, FLANGE SH.6x20	3	Y		20061113	KMYSA4BLS7C300001	
		24	S8200-31500	FUSE, BLADE 15A	3	Y		20061113	KMYSA4BLS7C300001	
		25	S8200-33000	FUSE, BLADE 30A	1	Y		20061113	KMYSA4BLS7C300001	

F-26

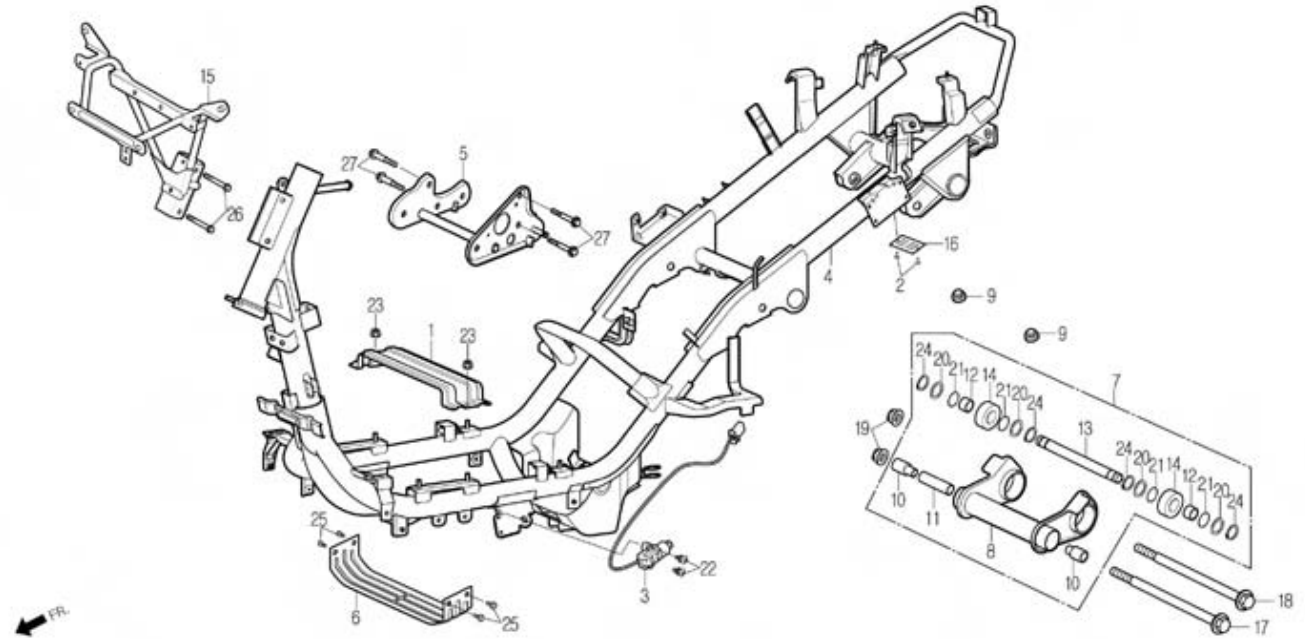
Frame Body



Service item	FRT	Ref. No.	Part No.	Description	QTY	A/S	Exch	Start Date	Start FRM.No	End FRM.No
SWITCH ASS'Y, SIDE STAND	0.3	1	17517-SZ1-0000	PLATE, TANK SUPPORT	1	Y		20061113	KMYSA4BLS7C300001	
BODY COMP., FRAME	4.8	2	18323-BA7-RE00	RIVET, BLIND 3.2x8.5	2	N		20061113	KMYSA4BLS7C300001	
PIPE COMP., FR.TOP	0.6	3	35700-BA6-0001-M2	SWITCH ASS'Y, SIDE STAND(AOLI)	1	Y		20061113	KMYSA4BLS7C300001	
LINK ASS'Y, ENGINE HANGER	1.0	4	50100-SA4-R300	BODY COMP., FRAME	1	Y		20061113	KMYSA4BLS7C300001	
PLATE, TANK SUPPORT	0.8	5	50170-SA1-0001	PLATE COMP., ENGINE HANGER	1	N		20061113	KMYSA4BLS7C300001	
STAY, TANK UNDER SUPPORT	0.8	6	50180-SZ1-0001	STAY, TANK UNDER SUPPORT	1	Y		20061113	KMYSA4BLS7C300001	
		7	50350-SA1-0000	HANGER ASS'Y, ENGINE	1	Y		20061113	KMYSA4BLS7C300001	
		8	50351-SA1-0000	LINK, ENGINE HANGER	1	N		20061113	KMYSA4BLS7C300001	
		9	50352-SA1-0000	RUBBER, LINK STOPPER	2	Y		20061113	KMYSA4BLS7C300001	
		10	50353-CB2-0000	BUSH, ENGINE HANGER RUBBER	2	Y		20061113	KMYSA4BLS7C300001	
		11	50354-SC1-0002	COLLAR, ENGINE HANGER	1	N		20061113	KMYSA4BLS7C300001	
		12	50355-SA1-0000	METAL, OIL LESS	2	Y		20061113	KMYSA4BLS7C300001	
		13	50356-SA1-0000	COLLAR, ENGINE HANGER PIVOT	1	N		20061113	KMYSA4BLS7C300001	
		14	50357-SA1-0000	BUSH A, ENGINE HANGER RUBBER	2	Y		20061113	KMYSA4BLS7C300001	
		15	64315-SA4-0011	PIPE COMP., FR.TOP	1	Y		20061113	KMYSA4BLS7C300001	
		16	87509-SA4-R300	DATA PLATE,MANUFACTURER'S	1	N		20061113	KMYSA4BLS7C300001	
		17	90105-SB1-0000	BOLT, FLANGE 10x212	1	Y		20061113	KMYSA4BLS7C300001	
		18	90107-SA1-0001	BOLT, FLANGE 10x200	1	Y		20061113	KMYSA4BLS7C300001	
		19	90304-SE6-0000	NUT, U 10mm	2	Y		20061113	KMYSA4BLS7C300001	
		20	90441-SA1-0000	WASHER, THRUST	4	N		20061113	KMYSA4BLS7C300001	
		21	91301-SA1-0000	O-RING 16.8x1.6	4	Y		20061113	KMYSA4BLS7C300001	

F-26

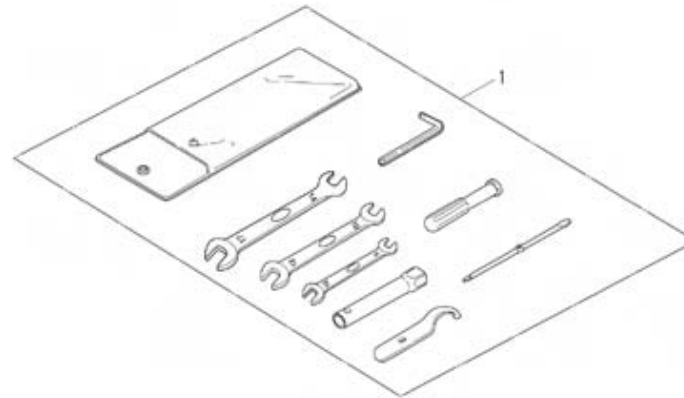
Frame Body



Service item	FRT	Ref. No.	Part No.	Description	QTY	A/S	Exch	Start Date	Start FRM.No	End FRM.No
		22	S3892-05016-08	SCREW, WASHER 5x16	2	Y		20061113	KMYSA4BLS7C300001	
		23	S4050-06080	NUT, FLANGE 6mm	2	Y		20061113	KMYSA4BLS7C300001	
		24	S5801-10035-08	BOLT, FLANGE 10x35	4	Y		20061113	KMYSA4BLS7C300001	
			S4510-17000	CIR CLIP, EXTERNAL 17mm	4	N		20061113	KMYSA4BLS7C300001	
		25	S5701-06012-08	BOLT, FLANGE 6x12	4	Y		20061113	KMYSA4BLS7C300001	
		26	S5701-08050-08	BOLT, FLANGE 8x50	2	Y		20061113	KMYSA4BLS7C300001	

F-27

Tool



Service item	FRT	Ref. No.	Part No.	Description	QTY	A/S	Exch	Start Date	Start FRM.No	End FRM.No
		1	89010-SA2-RB00	TOOL SET	1	Y		20061113	KMYSA4BLS7C300001	

Introduction for use of parts list

THIS PARTS LIST GIVES YOU ALL INFORMATION ABOUT S2 125Fi PARTS TO BE REPLACED FOR ANY PURPOSE. WHEN YOU WANT TO ORDER ANY PARTS, YOU CAN REFER TO PART NO., PART NAME, ETC., WHICH SHOULD BE REQUIRED FOR US TO SUPPLY YOU EXACT PARTS.

ⅴ°. How to order parts

1. Information required

Please specify parts numbers and parts names when ordering replacement parts as the shapes and serial numbers of the parts may have changed. Please check for availability prior to ordering parts because not all the required parts can be supplied.

2. Revisions

When modifications or additions to this parts list are made, a revised edition will be issued at an appropriate time, with successively progressing revision numbers. When you order parts, refer to the latest parts list. To check whether a parts list revision has been issued, please contact your DAELIM distributor.

ⅴ±. How to read this parts list

1. Make-up of parts number

OOOOO - OOO - OOOO - OO
(A) (B) (C) (D)

A: No.FOR FUNCTIONAL GROUP C: MODIFICATION

B: MODEL No. D: SUPPLY MARKING(Color,maker, etc.,)

2. Color code

The last of parts number represents the right color painted for these parts. On the placement of parts order you should name the color additionally after color code and parts name.

Ex) 64301-SA4-0000-TR COVER, FR.(O/RED)

3. Abbreviations

The following abbreviations are used in this parts list.

ASS'Y --- Assembly T(22T) -- Tooth(22Teeth)
COMP. --- Complete L(100L)-- Link(100Links)
RH. ---- Right STD ---- Standard
LH. ---- Left A.C --- Alternating current
mm ---- Millimeter D.C --- Direct Current
g ----- Gram FR. --- Front
A ----- Ampere RR. --- Rear
V ----- Volt HEX. --- Hexagonal
W ----- Watt S/P --- Spark plug

4. Dimensions

All dimensions are given in millimeters(mm) except in the case of steel balls, tires and tire tubes.

Parts	Example	Interpretation
Bolt(Screw)	6x12	6mm diameter, 12mm length
Pin	8x14	8mm diameter, 14mm length
O-Ring	9.5x1.6	9.5mm inside diameter, 1.6mm thickness
Oil Seal	14x25x5	14mm inside diameter, 25mm outside diameter, 5mm thickness
Tube	5x130	5mm inside diameter, 130mm length

5. Assemblies

Section framed with broken lines in the exploded view drawings are available as complete assembled(there individual parts can also be obtained)

6. Required Quality

The number in the QTY column represents the quality of the part needed.

7. A/S Part

The part with "Y" in the A/S column can be supplied as A/S part and part with "N" in the A/S column can't

8. Exchangeability

"Y" in the Ex column means the part can be replaced with new part and "N" means the part can't be replaced with new part

9. Start date and End date

Start date shows the date of initial application of the part and "blank" means the part has been applied from the time of initial production. End date shows the date end time of the part's application and "blank" means the part is still applying.

10. Model and related serial number

Model	Serial No.of Engine	Serial No.of Frame	Remark
SQ125	SQ125E3000001~	KMYSA4BLS7C300001~	EXPORT

11. Introduction

The part illustration in the part list is only used help explanation and may have minor difference with the actual appearance of the part.

12. Location of stamped serial number



❖. How to use the flat rate time(F.R.T)

This F.R.T(Flat Rate Time) is used to determine the standard labor time allowed for replacement of parts covered by the warranty during the period the warranty is in effect. The F.R.T for those parts which are not listed here in should be determined from the operation closely related to the replacement of that part.

1. The F.R.T is based on the following servicing conditions

- A liberal allowance is added to the net servicing time
- Standard times specified are based on the condition that the necessary servicing tools listed in the service manual(motorcycle) which describes the DAELIM service policy are available closed at hand and the work performed by a mechanic with normal skill.
- Time required for inspection and operational test following the servicing in included in the F.R.T

2. Method of computing

The job times are listed in tenth of an hour to simplify computation.

Ex) 0.2 = 18 minutes 5.6 = 5 hours and 36 minutes

CONVERSION CHART			
Hours	Minutes	Hours	Minutes
0.1	6	0.6	36
0.2	12	0.7	42
0.3	18	0.8	48
0.4	24	0.9	54
0.5	30	1.0	60

3. Computing the F.R.T

When several jobs are performed at the same time, make the calculation in the following manner.

a. Jobs of non-duplicated nature

The F.R.T for the job is obtained by totalling the F.R.T for each part replaced

Ex) Replacement of cylinder and oil pump

Service Item	F.R.T
Cylinder	*3.0
Oil pump body	0.9

The F.R.T for job is: $3.0 + 0.9 = 3.9$

b. Jobs of duplicated nature

Take the F.R.T for the last part to be replaced

Ex) Replacement of piston and cylinder head gasket

Service Item	F.R.T
Cylinder head gasket	*3.0
Piston	*3.0

The F.R.T for job is: 3.0

c. Jobs of partially related nature

Total up the F.R.T for all of the parts replaced and then subtract the F.R.T for the duplicated operation

Ex) Replacement of oil pump and starter clutch

Service Item	F.R.T
Oil pump	0.9
Starter clutch	1.1
Rh.crank case cover disassembly	0.9

The F.R.T for job is: $(0.9+1.1)-0.9 = 1.1$

Crank case disassembly is the duplicated operation.

The F.R.T shown with(*) includes engine removal time and installation time.

4. Operations other than replacing parts**1) Removal and installation**

Service Item	F.R.T
Engine	1.7
Cylinder head	2.7
Carburetor	0.5

2) Adjustment, Measurement and cleaning

“ç Engine

Service Item	F.R.T
Transmission oil inspection	0.1
Oil filter screen cleaning	0.2
Compression pressure measurement	0.1
Spark plug adjustment and cleaning	0.1
Ignition timing inspection	0.2
Valve clearance adjustment	0.5
Throttle operation adjustment	0.1
Carburetor idle adjustment	0.1
Carburetor float level measurement	0.5
Clutch adjustment	0.1

“è Frame

Service Item	F.R.T
Front brake adjustment	0.3
Rear brake adjustment	0.3
Brake operation test	0.1
Headlight aim	0.3

3) Overhaul disassembly,inspection,cleaning and assembly

Service Item	F.R.T
Carburetor	0.7

PART NO. APPLIED COUNTRY INDEX

Part No.	Block No.	Ref. No.	Applied country	Part No.	Block No.	Ref. No.	Applied country
[11000]				13310-SA1-0100-H1	E-18	8	RZ
11100-SA2-0010	E-16	1	RZ	13321-SA1-0201-H1	E-18	9	RZ
11191-SA1-0000-EU	E-17	1	RZ	13381-SA1-0100-H1	E-18	10	RZ
11200-SA2-0010	E-17	2	RZ	[14000]			
11204-SA1-0000	E-14	1	RZ	14100-SA1-0120	E-04	2	RZ
11204-SA1-0000	F-12	1	RZ	14311-SA4-0000-H1	E-18	11	RZ
11210-SA1-0000	E-17	3	RZ	14401-SA0-0010-M1	E-05	1	RZ
1122A-SA4-0000	E-17	4	RZ	14431-SA1-0100	E-04	4	RZ
1122B-SA4-R300	F-19	1	RZ	1443A-SA1-0101	E-04	3	RZ
11330-SA2-RZ00	E-07	1	RZ	14441-SA1-0100	E-04	6	RZ
11332-BA7-9000	E-11	1	RZ	1444A-SA1-0101	E-04	5	RZ
11333-SA1-0102	E-16	2	RZ	14451-SA1-0000	E-04	7	RZ
11335-SA1-0000	E-16	3	RZ	14452-SA1-0000	E-04	8	RZ
11340-SA2-0000	E-11	2	RZ	14500-SA1-0001	E-05	2	RZ
11342-SA1-0000	E-11	3	RZ	14520-BA1-0000	E-05	3	RZ
11394-SA1-0000-EU	E-07	2	RZ	14523-BA7-0000-EU	E-05	4	RZ
11396-SA1-0100-EU	E-11	4	RZ	1453A-SA1-0000	E-05	5	RZ
[12000]				14550-SA1-0000	E-05	6	RZ
12100-SA1-0010	E-06	1	RZ	14711-SA1-0000	E-03	6	RZ
12191-SA1-0000-EU	E-06	2	RZ	14721-SA1-0000	E-03	7	RZ
12200-SA4-R300	E-03	2	RZ	14751-SA1-0100	E-03	8	RZ
12209-BA6-0050	E-03	3	RZ	14771-BA6-9601	E-03	9	RZ
1220A-SA4-R300	E-03	1	RZ	14775-SA1-0100	E-03	10	RZ
12211-SA1-0101	E-04	1	RZ	14781-BA6-0000	E-03	11	RZ
12251-SA1-0001	E-03	4	RZ	[15000]			
12300-SA2-RB00	E-02	1	RZ	15100-SA1-0100	E-09	1	RZ
12301-SA2-RB02	E-02	2	RZ	15111-SA1-0000	E-09	2	RZ
12313-SA1-0000	E-02	3	RZ	15113-SA1-0000	E-09	3	RZ
12330-SA2-RB02	E-02	4	RZ	15131-SA1-0200	E-09	4	RZ
12361-SA0-0000	E-16	4	RZ	15133-SA1-0100-M1	E-18	12	RZ
12391-SA2-RB01	E-02	5	RZ	15136-SA1-0000	E-09	5	RZ
12392-SA2-RB01	E-02	6	RZ	15331-SA1-0000	E-09	7	RZ
12393-SA2-RB01	E-02	7	RZ	15332-SA1-0000	E-09	8	RZ
12410-BA1-R300-M1	E-03	5	RZ	1533A-SA1-0000	E-09	6	RZ
[13000]				15412-SA1-0001	E-16	5	RZ
13000-SA4-0010	E-18	1	RZ	15414-BA6-9600	E-16	6	RZ
13101-SA1-0100	E-18	2	RZ	15415-SA1-0001	E-16	7	RZ
13111-BA6-9300	E-18	3	RZ	15416-SA1-0000	E-16	8	RZ
13121-SA1-0000	E-18	4	RZ	15421-BA6-0001	E-16	9	RZ
13131-SA1-0000	E-18	5	RZ	15426-SA1-0000	E-16	10	RZ
13141-SA1-0000	E-18	6	RZ	15650-SA1-0000	E-02	8	RZ
13201-SA1-0100-H1	E-18	7	RZ	15652-SA1-0001	E-16	11	RZ
				15772-BA7-0101	F-19	2	RZ

PART NO. APPLIED COUNTRY INDEX

Part No.	Block No.	Ref. No.	Applied country	Part No.	Block No.	Ref. No.	Applied country
[16000]				17636-SA4-R300	F-15	7	RZ
16037-BA1-R300	E-19	1	RZ	17637-BA1-R300	F-15	8	RZ
16200-SA4-R300	E-19	3	RZ	17891-SZ1-0000	F-19	17	RZ
16202-BA1-R300	E-19	4	RZ	17910-SA4-R300	F-03	1	RZ
16203-BA1-R300	E-19	5	RZ	[18000]			
16204-BA1-R300	E-19	6	RZ	18201-SA1-0000	F-20	1	RZ
16205-SA4-R300	E-19	7	RZ	18202-SA1-0000	F-20	2	RZ
16206-BA1-R300	E-19	8	RZ	18203-SA1-0000	F-20	3	RZ
16207-BA1-R300	E-19	9	RZ	18204-SA1-0000	F-20	4	RZ
16208-BA1-R300	E-19	10	RZ	18205-SA1-0000	F-20	5	RZ
1620A-SA4-R300	E-19	2	RZ	18210-SA4-R300	F-20	6	RZ
16210-SA4-R300	E-03	13	RZ	18240-SA4-0000	F-20	7	RZ
1621A-SA4-R300	E-03	12	RZ	18291-SE5-5000-EU	F-20	8	RZ
16220-BA1-R300-M1	E-19	11	RZ	18292-SA4-0001	F-20	9	RZ
16230-BA1-R300-M1	E-19	12	RZ	18310-SA4-R300	F-20	10	RZ
16240-BA1-R300-M1	E-19	13	RZ	18320-SA4-R300	F-20	11	RZ
16300-BA1-R300-M1	E-03	14	RZ	18323-BA7-RE00	F-26	2	RZ
16500-SA4-R300	E-03	16	RZ	18410-BA1-R300-M1	F-20	12	RZ
1650A-SA4-R300	E-03	15	RZ	[19000]			
16700-SA4-R300-M1	F-15	1	RZ	19010-SA1-0103	E-15	2	RZ
[17000]				19011-SA1-0000	E-15	3	RZ
17200-SA4-R300	F-19	3	RZ	19012-SA1-0100	E-15	4	RZ
17208-SA4-0001	E-11	5	RZ	1901A-SA1-0101	E-15	1	RZ
17209-SA4-0000	F-19	4	RZ	19100-SA2-0002-M2	E-15	5	RZ
17211-SZ1-0011	F-19	5	RZ	19200-SA4-0000-M2	E-15	6	RZ
17213-SZ1-0000	F-19	6	RZ	19510-SA1-0000	E-08	1	RZ
17214-SZ1-0000	F-19	7	RZ	19615-SA2-0010	E-01	1	RZ
17230-SZ1-0000	F-19	8	RZ	19620-SA4-0011	E-01	2	RZ
17240-SZ1-0000	F-19	9	RZ	19625-SA4-0000	E-01	3	RZ
17241-SZ1-0000	F-19	10	RZ	19630-SA4-0002	E-01	4	RZ
17242-SZ1-0000	F-19	11	RZ	19633-SAO-0000	E-01	5	RZ
17243-SZ1-0000	F-19	12	RZ	[21000]			
17256-SZ1-0000	F-19	13	RZ	21301-SA1-0101	E-14	2	RZ
17358-BA7-0000	F-19	14	RZ	21395-SA1-0000	E-14	3	RZ
1737A-SZ1-0000	F-19	15	RZ	21396-SA1-0000	E-14	4	RZ
17510-SA4-R300	F-15	2	RZ	[22000]			
17514-SA4-R300	F-15	3	RZ	22100-SA2-0000	E-13	1	RZ
17517-SZ1-0000	F-26	1	RZ	22102-SA1-0010	E-12	2	RZ
1751B-SZ1-0000	F-06	1	RZ	22105-SA4-0000	E-12	3	RZ
17610-SZ1-0000	F-15	4	RZ	2210A-SA4-0000	E-12	1	RZ
17612-SZ1-0000	F-15	5	RZ				
17612-SZ1-0000	F-19	16	RZ				
17615-SZ1-0000	F-15	6	RZ				
17620-BA4-0000-M1	F-25	1	RZ				

PART NO. APPLIED COUNTRY INDEX

Part No.	Block No.	Ref. No.	Applied country		Part No.	Block No.	Ref. No.	Applied country
			[22000]					[31000]
22110-SA1-0200	E-12	4	RZ		31100-SA4-R300	E-08	2	RZ
22121-SA1-0102-EU	E-12	5	RZ		31110-SA4-R300	E-08	3	RZ
22131-SA1-0200	E-12	6	RZ		31120-SA4-R300	E-08	4	RZ
22132-SA1-0200	E-12	7	RZ		31200-SA4-0001	E-10	5	RZ
22300-SA2-0000	E-13	3	RZ		31210-SA2-0000	E-10	6	RZ
2230A-SA2-0000	E-13	2	RZ		31500-BA4-0000-M1	F-16	1	RZ
22350-SA1-0001	E-13	4	RZ		31600-BA1-R300	F-25	5	RZ
22401-SA1-0000	E-13	5	RZ					[32000]
22530-SA1-0001-EU	E-13	6	RZ		32100-SA4-R300	F-25	6	RZ
22804-SC1-0000	E-13	7	RZ		32103-SA4-R300	E-03	17	RZ
			[23000]		32401-SZ1-0000	F-25	7	RZ
23010-SA2-0031	E-13	9	RZ		32410-SA4-0001	E-10	7	RZ
2301A-SA2-0030	E-13	8	RZ		32601-SA4-0000	F-16	2	RZ
23100-SA1-0000	E-13	10	RZ		32964-SC1-0201	E-07	4	RZ
23200-SA2-0010	E-13	11	RZ					[33000]
23210-SA2-0010	E-13	12	RZ		33100-SZ1-0000-M1	F-01	1	RZ
23220-SA2-0010	E-13	13	RZ		33110-SZ1-0000	F-01	2	RZ
23225-SA2-0000	E-13	14	RZ		33116-SZ1-0000	F-01	3	RZ
23226-SC1-0000	E-13	15	RZ		33130-SZ1-0000-M1	F-01	4	RZ
23233-SA2-0000	E-13	16	RZ		33400-SZ1-0000-M1	F-23	1	RZ
23237-SA0-0000	E-13	17	RZ		33401-SZ1-0000	F-23	2	RZ
23238-SE5-0104	E-13	18	RZ		33402-SZ1-0000	F-23	3	RZ
23411-SA1-0120	E-14	5	RZ		33410-SZ1-0000	F-23	4	RZ
23420-SA1-0000-EU	E-14	6	RZ		33450-SZ1-0000-M1	F-23	5	RZ
23430-SA2-0010	E-14	7	RZ		33451-SZ1-0000	F-23	6	RZ
			[28000]		33452-SZ1-0000	F-23	7	RZ
28101-SA2-0001	E-10	1	RZ		33460-SZ1-0000	F-23	8	RZ
28102-SA1-0000	E-10	2	RZ		33602-SZ1-0000	F-24	1	RZ
28110-SA2-0000	E-10	3	RZ		33652-SZ1-0000	F-24	2	RZ
28117-SA1-0000	E-07	3	RZ		33700-SZ1-0001-M1	F-24	3	RZ
2812A-SA1-0031	E-10	4	RZ		33702-SZ1-0000	F-24	4	RZ
			[30000]		33703-SZ1-0001	F-24	5	RZ
30100-SA4-R300	F-25	2	RZ		33704-SZ1-0000	F-24	6	RZ
30510-SA4-R300	F-25	3	RZ		33710-SZ1-0000	F-24	7	RZ
30700-BA7-9002	F-25	4	RZ		33711-SE1-RB00	F-24	8	RZ
30800-SA3-0000	F-17	1	RZ		33712-SE1-RB00	F-24	9	RZ
					33715-SZ1-0000	F-24	10	RZ
					33741-SE5-RB00-M1	F-24	11	RZ
					33900-SA1-0110-M1	F-17	2	RZ

PART NO. APPLIED COUNTRY INDEX

Part No.	Block No.	Ref. No.	Applied country		Part No.	Block No.	Ref. No.	Applied country
			[34000]		4230A-SA4-0010	F-12	2	RZ
34901-SZ1-0000	F-01	5	RZ		42312-BA7-0000	E-12	8	RZ
34902-BA7-RB00	F-24	12	RZ		42600-SA4-0001	F-12	6	RZ
34902-SA1-RB00	F-01	6	RZ		42601-SA2-0000-M3	F-12	7	RZ
34905-SE4-0000	F-23	9	RZ		42711-SA4-0000-M1	F-12	8	RZ
34905-SE4-0000	F-24	13	RZ		42753-BA7-0000	F-11	1	RZ
34906-BA7-RB00	F-24	14	RZ		42753-BA7-0000	F-12	9	RZ
			[35000]					[43000]
35010-SZ1-0000	F-25	8	RZ		43352-SE6-9800	F-10	1	RZ
35100-SZ1-0000-M1	F-25	9	RZ		43352-SE6-9801-M4	F-10	2	RZ
35111-SZ1-0000-M1	F-25	10	RZ		43353-SE6-9800	F-10	3	RZ
35121-SZ1-0000	F-25	11	RZ		43353-SE6-9800-M4	F-10	4	RZ
35150-SZ1-RB10-M1	F-03	2	RZ					[44000]
35200-SZ1-0000	F-03	3	RZ		44301-SZ1-0000	F-11	2	RZ
35340-SA2-0000	F-04	1	RZ		44311-SZ1-0000	F-11	3	RZ
35340-SC1-6710-M1	F-04	2	RZ		44600-SZ1-0010	F-11	4	RZ
35700-BA6-0001-M2	F-26	3	RZ		44601-SZ1-0010	F-11	5	RZ
35850-SA1-0000	F-25	13	RZ		44620-SA2-0000	F-11	6	RZ
35856-SA1-0001	F-25	14	RZ		44680-BA6-0100	F-11	7	RZ
35856-SE4-0000	F-16	3	RZ		44711-SZ1-0000-M1	F-11	8	RZ
3585A-SA4-0000	F-25	12	RZ		44800-SZ1-0000	F-11	9	RZ
			[37000]		44805-SZ1-0000	F-11	10	RZ
37100-SA4-R300-M1	F-02	1	RZ		44806-SZ1-0000	F-11	11	RZ
37202-SA4-R300	F-02	2	RZ		44808-BA6-7010-Y1	F-11	12	RZ
37212-SA4-R300	F-02	3	RZ		44830-SZ1-0010	F-02	5	RZ
37223-SA4-R300	F-02	4	RZ					[45000]
37240-SZ1-0000-B2	F-05	1	RZ		45100-SZ1-0100	F-10	5	RZ
			[38000]		45105-BA7-RB00-M4	F-10	6	RZ
38110-SZ1-0000	F-25	15	RZ		45105-SZ1-0101	F-10	7	RZ
38301-BA6-0301-P	F-16	5	RZ		45107-BA6-0000-M4	F-10	8	RZ
3830A-SE4-0001	F-16	4	RZ		45107-SZ1-0100	F-10	9	RZ
38500-BA4-0000	F-16	6	RZ		45108-BA6-0000-M4	F-10	10	RZ
38501-SE6-9800	F-16	7	RZ		45108-SZ1-0100	F-10	11	RZ
38506-BA4-0000	F-16	8	RZ		45109-BA5-9000	F-10	12	RZ
			[42000]		45109-BA6-0000-M4	F-10	13	RZ
42301-SA2-0010	F-12	3	RZ		45109-BA6-1060	F-10	14	RZ
42304-SA2-0000	F-12	4	RZ		45110-BA5-9000-M1	F-10	0	
42305-SA2-0000	F-12	5	RZ		45115-SE6-9800-M4	F-10	15	RZ
					45116-BA6-0000-M4	F-10	16	RZ
					45121-SZ1-0000	F-11	13	RZ
					45126-SZ1-0101	F-04	4	RZ
					45127-SZ1-0102	F-04	5	RZ

PART NO. APPLIED COUNTRY INDEX

Part No.	Block No.	Ref. No.	Applied country	Part No.	Block No.	Ref. No.	Applied country
[45000]							
4512A-SZ1-0101	F-04	3	RZ	50302-CB2-9002	F-08	2	RZ
45131-SE6-9800-M4	F-10	17	RZ	50306-CB3-0000	F-08	3	RZ
45132-SE6-9800-M4	F-10	18	RZ	50320-SA4-R300	F-16	9	RZ
45133-SE6-9800-M4	F-10	19	RZ	50326-SZ1-0000	F-17	3	RZ
45134-SE6-9800-M4	F-10	20	RZ	50350-SA1-0000	F-26	7	RZ
45146-SZ1-0100	F-04	6	RZ	50351-SA1-0000	F-26	8	RZ
45147-SZ1-0100	F-04	7	RZ	50352-SA1-0000	F-26	9	RZ
45148-SA4-0000-M1	F-04	8	RZ	50353-CB2-0000	F-26	10	RZ
45151-SA2-0000	F-04	9	RZ	50354-SC1-0002	F-26	11	RZ
45204-BA6-0000	F-10	21	RZ	50355-SA1-0000	F-26	12	RZ
45209-BA5-9000	F-10	22	RZ	50356-SA1-0000	F-26	13	RZ
45209-BA6-0000-M4	F-10	23	RZ	50357-SA1-0000	F-26	14	RZ
45209-BA6-1061	F-10	24	RZ	50500-SA1-0102	F-21	2	RZ
45215-BA5-9000	F-10	25	RZ	50504-SA1-0000	F-21	3	RZ
45215-BA6-0000-M4	F-10	26	RZ	50505-SC1-0101	F-21	4	RZ
45217-BA6-0000-M4	F-10	27	RZ	5050A-SA1-0100	F-21	1	RZ
45218-BA6-9800-M4	F-10	28	RZ	50520-SE5-5000-EU	F-21	6	RZ
45307-SZ1-0100	F-10	29	RZ	50521-SE5-5000-EU	F-21	7	RZ
45351-SA2-0010-M1	F-12	10	RZ	5052A-SE5-5000-EU	F-21	5	RZ
45451-BA6-9700	F-07	1	RZ	50530-SZ1-0010	F-21	9	RZ
45500-SZ1-0100	F-04	10	RZ	50532-SE1-RB00	F-21	10	RZ
45501-SZ1-0100	F-04	11	RZ	50533-SE1-RB00	F-21	11	RZ
45512-BA6-0062-M1	F-04	12	RZ	5053A-SE1-RB00	F-21	8	RZ
45513-SZ1-0000	F-04	13	RZ	50601-SZ1-0000	F-18	1	RZ
45517-SZ1-0000	F-04	14	RZ	50602-SZ1-0000	F-18	2	RZ
45518-BA4-0000-M1	F-04	15	RZ	50613-SZ1-0000-DB	F-14	1	RZ
45520-SC1-0060	F-04	16	RZ	50613-SZ1-0000-GB	F-14	1	RZ
45521-SC1-0061	F-04	17	RZ	50613-SZ1-0000-SL	F-14	1	RZ
45530-SZ1-0000	F-04	18	RZ	50613-SZ1-0000-TR	F-14	1	RZ
45540-SZ1-0100	F-04	19	RZ	50613-SZ1-0000-TY	F-14	1	RZ
45600-SZ1-0100	F-04	20	RZ	50614-SZ1-0000-DB	F-14	2	RZ
45601-SZ1-0100	F-04	21	RZ	50614-SZ1-0000-GB	F-14	2	RZ
[46000]							
46200-SA2-RB10-M4	F-10	30	RZ	50614-SZ1-0000-SL	F-14	2	RZ
46210-SA2-0000-M4	F-10	31	RZ	50614-SZ1-0000-TR	F-14	2	RZ
46300-SZ1-0101	F-04	22	RZ	50614-SZ1-0000-TY	F-14	2	RZ
[50000]							
50100-SA4-R300	F-26	4	RZ	50614-SZ1-0000-XB	F-14	2	RZ
50170-SA1-0001	F-26	5	RZ	50621-SA4-R300	F-14	3	RZ
50180-SZ1-0001	F-26	6	RZ	[51000]			
50301-CB2-9002	F-08	1	RZ	51400-SZ1-0010	F-09	1	RZ
				51401-SZ1-0011	F-09	2	RZ
				51410-SZ1-0010	F-09	3	RZ
				51412-BA5-9000	F-09	4	RZ
				51420-SZ1-0000	F-09	5	RZ
				51425-BA5-9000	F-09	6	RZ
				51427-BA5-9000	F-09	7	RZ
				51432-BA5-9000	F-09	8	RZ

PART NO. APPLIED COUNTRY INDEX

Part No.	Block No.	Ref. No.	Applied country	Part No.	Block No.	Ref. No.	Applied country
[51000]				[61000]			
51437-BA5-9000	F-09	9	RZ	61100-SZ1-0000-DB	F-07	2	RZ
51440-SZ1-0000	F-09	10	RZ	61100-SZ1-0000-GB	F-07	2	RZ
51441-BA5-9000	F-09	11	RZ	61100-SZ1-0000-SL	F-07	2	RZ
51500-SZ1-0100	F-09	12	RZ	61100-SZ1-0000-TR	F-07	2	RZ
51520-SZ1-0100	F-09	13	RZ	61100-SZ1-0000-TY	F-07	2	RZ
[52000]				61120-SA1-RB12-BK	F-18	3	RZ
52400-SA4-0010	F-22	1	RZ	61200-SZ1-0000-DB	F-06	3	RZ
52401-SZ1-0010	F-22	2	RZ	61200-SZ1-0000-GB	F-06	3	RZ
52403-BA7-9000	F-22	3	RZ	61200-SZ1-0000-SL	F-06	3	RZ
52410-SA4-0000	F-22	4	RZ	61200-SZ1-0000-TR	F-06	3	RZ
52422-BA6-0032	F-22	5	RZ	61200-SZ1-0000-TY	F-06	3	RZ
52485-SE5-9011-M1	F-22	6	RZ	61310-SZ1-0001	F-06	4	RZ
52486-SE5-0031	F-22	7	RZ	61405-SZ1-0000	F-06	5	RZ
52517-BA6-0030	F-22	8	RZ	[64000]			
[53000]				64301-SZ1-0000-DB	F-06	6	RZ
53100-SZ1-0000	F-05	2	RZ	64301-SZ1-0000-GB	F-06	6	RZ
53106-SZ1-0000	F-05	3	RZ	64301-SZ1-0000-SL	F-06	6	RZ
53125-CB2-9001	F-05	4	RZ	64301-SZ1-0000-TR	F-06	6	RZ
53140-SZ1-0000	F-03	4	RZ	64301-SZ1-0000-TY	F-06	6	RZ
53141-SZ1-0000	F-03	5	RZ	64310-SA4-R300	F-14	5	RZ
53166-BA4-0000	F-03	6	RZ	64311-SE1-RB00	F-14	6	RZ
53175-SZ1-0100	F-04	23	RZ	64315-SA4-0011	F-26	15	RZ
53178-SZ1-0100	F-04	24	RZ	6431A-SA4-R300	F-14	4	RZ
53200-SZ1-0100	F-08	4	RZ	64320-SZ1-0000	F-14	7	RZ
53204-SZ1-0000	F-05	6	RZ	64400-SZ1-0000-DB	F-06	8	RZ
53205-SZ1-0011	F-05	7	RZ	64400-SZ1-0000-GB	F-06	8	RZ
53206-SZ1-0001	F-05	8	RZ	64400-SZ1-0000-SL	F-06	8	RZ
53207-SZ1-0002	F-05	9	RZ	64400-SZ1-0000-TR	F-06	8	RZ
5320B-SZ1-0001	F-05	5	RZ	64400-SZ1-0000-TY	F-06	8	RZ
53210-CB3-7500	F-08	5	RZ	64408-SZ1-0000	F-06	9	RZ
53211-CB2-9002	F-08	6	RZ	6440A-SZ1-0000-DB	F-06	7	RZ
53212-CB2-9002	F-08	7	RZ	6440A-SZ1-0000-GB	F-06	7	RZ
53213-SZ1-RB11	F-05	11	RZ	6440A-SZ1-0000-SL	F-06	7	RZ
53214-CB2-9001	F-08	8	RZ	6440A-SZ1-0000-TR	F-06	7	RZ
53214-SZ1-0000	F-05	12	RZ	6440A-SZ1-0000-TY	F-06	7	RZ
53215-CB3-0000	F-08	9	RZ	[77000]			
53215-SZ1-0001	F-06	2	RZ	77101-SZ1-0000	F-13	1	RZ
5321A-SZ1-RB11	F-05	10	RZ	77103-SZ1-0000	F-13	2	RZ
53220-CB3-0000	F-08	10	RZ	77106-SZ1-0000	F-13	3	RZ
53220-CB3-7500	F-08	11	RZ	77200-SZ1-0020	F-13	5	RZ
				7720A-SZ1-0020	F-13	4	RZ

PART NO. APPLIED COUNTRY INDEX

Part No.	Block No.	Ref. No.	Applied country		Part No.	Block No.	Ref. No.	Applied country
[77000]					[83000]			
77235-SZ1-0001	F-13	6	RZ		83500-SZ1-0000-DB	F-18	8	RZ
77240-SZ1-0001	F-13	7	RZ		83500-SZ1-0000-GB	F-18	8	RZ
77300-SZ1-0010	F-13	9	RZ		83500-SZ1-0000-SL	F-18	8	RZ
77301-SZ1-0010	F-13	10	RZ		83500-SZ1-0000-TR	F-18	8	RZ
77305-SZ1-0002	F-13	11	RZ		83500-SZ1-0000-TY	F-18	8	RZ
77306-SZ1-0002	F-13	12	RZ		83502-SZ1-0000-DB	F-18	9	RZ
7730A-SZ1-0001	F-13	8	RZ		83502-SZ1-0000-GB	F-18	9	RZ
[80000]					[83500]			
80101-BA1-0001	F-24	16	RZ		83502-SZ1-0000-SL	F-18	9	RZ
80104-SA1-0000	F-18	4	RZ		83502-SZ1-0000-TR	F-18	9	RZ
80105-SZ1-0001	F-24	17	RZ		83502-SZ1-0000-TY	F-18	9	RZ
8010A-SZ1-0000	F-24	15	RZ		83503-SZ1-0000-DB	F-18	10	RZ
80151-SZ1-0001	F-18	6	RZ		83503-SZ1-0000-GB	F-18	10	RZ
8015A-SA4-MA00	F-18	5	RZ		83503-SZ1-0000-SL	F-18	10	RZ
8015A-SA4-RB00	F-18	5	RZ		83503-SZ1-0000-TR	F-18	10	RZ
8015A-SA4-RC00	F-18	5	RZ		83503-SZ1-0000-TY	F-18	10	RZ
8015A-SA4-RE00	F-18	5	RZ		83506-SZ1-0002	F-18	11	RZ
8015A-SA4-RJ00	F-18	5	RZ		83509-SZ1-0000	F-18	12	RZ
[81000]					[83600]			
81100-SA1-0102	F-06	10	RZ		8350A-SZ1-0000-DB	F-18	7	RZ
81131-SZ1-0010	F-06	12	RZ		8350A-SZ1-0000-GB	F-18	7	RZ
81132-SA2-0001	F-06	13	RZ		8350A-SZ1-0000-SL	F-18	7	RZ
81137-SZ1-0001	F-06	14	RZ		8350A-SZ1-0000-TR	F-18	7	RZ
8113A-SZ1-0010	F-06	11	RZ		8350A-SZ1-0000-TY	F-18	7	RZ
81147-SZ1-0001	F-06	15	RZ		83600-SZ1-0000-DB	F-18	13	RZ
81161-SZ1-0003	F-06	17	RZ		83600-SZ1-0000-GB	F-18	13	RZ
8116A-SA4-0000	F-06	16	RZ		83600-SZ1-0000-SL	F-18	13	RZ
81200-SZ1-0002	F-13	13	RZ		83600-SZ1-0000-TR	F-18	13	RZ
81218-SA1-RB00	F-17	4	RZ		83600-SZ1-0000-TY	F-18	13	RZ
81218-SE5-3000-B1	F-17	4	RZ		83606-SZ1-0002	F-18	14	RZ
81218-SE5-RC00	F-17	4	RZ		83607-SZ1-0000	F-19	18	RZ
81218-SE5-RE00	F-17	4	RZ		[87000]			
81218-SE5-RJ00	F-17	4	RZ		87121-SA4-R300	F-18	15	RZ
81250-SA4-R300	F-17	6	RZ		87123-SZ1-0010-BK	F-18	16	RZ
81251-SA4-R300	F-17	7	RZ		87123-SZ1-0010-SL	F-18	16	RZ
81255-SZ1-0000	F-17	8	RZ		87124-SZ1-0000	F-06	18	RZ
8125A-SA4-R300	F-17	5	RZ		87150-SZ1-0020	F-05	13	RZ
8125A-SA4-RB20	F-17	5	RZ		87505-SA4-MA00	F-18	17	RZ
8125A-SA4-RC20	F-17	5	RZ		87505-SA4-RB00	F-18	17	RZ
8125A-SA4-RE20	F-17	5	RZ		87505-SA4-RC00	F-18	17	RZ
8125A-SA4-RJ20	F-17	5	RZ		87505-SA4-RE00	F-18	17	RZ
					87505-SA4-RJ00	F-18	17	RZ
					87509-SA4-R300	F-26	16	RZ
					87560-SA1-MA00	F-05	14	RZ
					87560-SA1-RB00	F-05	14	RZ

PART NO. APPLIED COUNTRY INDEX

Part No.	Block No.	Ref. No.	Applied country	Part No.	Block No.	Ref. No.	Applied country
			[87000]				
87560-SA1-RC00	F-05	14	RZ	90112-BA7-0000	F-25	16	RZ
87560-SA1-RE00	F-05	14	RZ	90114-BA6-0000	F-04	25	RZ
87560-SA1-RJ00	F-05	14	RZ	90116-BA6-7210-M1	F-09	14	RZ
87565-SA4-R300	F-17	9	RZ	90123-SZ1-0000	F-09	15	RZ
			[88000]	90124-CB4-0010	F-17	10	RZ
88110-SZ1-0002	F-03	7	RZ	90145-SA1-0002	E-15	7	RZ
88120-SZ1-0002	F-03	8	RZ	90145-SE5-0000	F-04	26	RZ
			[89000]	90152-BA4-0000	F-25	17	RZ
89010-SA2-RB00	F-27	1	RZ	90190-SC1-0000	F-06	20	RZ
			[90000]	90192-SB1-0000	F-14	8	RZ
90001-SA1-0000	E-01	6	RZ	90192-SB1-0000	F-15	9	RZ
90002-SA1-0000	F-20	13	RZ	90192-SB1-0000	F-18	19	RZ
90005-BA7-9000	E-05	7	RZ	90192-SE3-0000	F-05	16	RZ
90009-SA1-0001	E-16	12	RZ	90192-SE3-0000	F-06	21	RZ
9000A-SE5-7501	E-02	9	RZ	90192-SE3-0000	F-18	20	RZ
90012-CB2-0004	E-04	9	RZ	90192-SE3-0000	F-16	10	RZ
90031-SA1-0101	E-16	13	RZ	90201-SA0-0002	E-10	8	RZ
90031-SA1-0101	E-17	5	RZ	90202-SE5-0001	E-13	19	RZ
90084-CB2-8300	E-17	6	RZ	90206-CB2-0007	E-04	10	RZ
90086-SE5-5000-EU	E-03	18	RZ	90206-CB2-0007	E-19	14	RZ
90091-BA7-0000	E-05	8	RZ	90301-BA6-0032	E-09	9	RZ
90101-BA5-0000	F-10	32	RZ	90301-SB1-0000	F-17	11	RZ
90102-CB4-0000	F-13	14	RZ	90302-SA4-0032	F-06	22	RZ
90103-BA5-0000	F-13	15	RZ	90302-SE5-2001	F-05	17	RZ
90103-SA0-0000	E-14	8	RZ	90302-SE5-2001	F-06	23	RZ
90105-SB1-0000	F-26	17	RZ	90304-BA7-0002	F-20	14	RZ
90106-BA5-0001	F-11	14	RZ	90304-SE6-0000	F-05	18	RZ
90106-BA5-0001	F-12	11	RZ	90304-SE6-0000	F-26	19	RZ
90106-CB2-9000	F-05	15	RZ	90305-SE5-0000	F-12	12	RZ
90106-SZ1-0000	F-13	16	RZ	90305-SE5-1001	F-06	24	RZ
90107-BA5-1000	F-03	9	RZ	90305-SE5-1001	F-17	12	RZ
90107-SA1-0001	F-26	18	RZ	90306-CB3-0000	F-11	15	RZ
90108-BA5-9001	E-01	7	RZ	90403-SA0-0100	E-10	9	RZ
90108-BA6-0000	F-21	12	RZ	90407-BA6-0002	E-15	8	RZ
90108-CB3-0000	F-22	9	RZ	90407-BA6-0002	E-17	7	RZ
90110-SE5-0001	F-07	3	RZ	90417-CB2-0002	E-09	10	RZ
90110-SE5-0001	F-18	18	RZ	90441-SA1-0000	F-26	20	RZ
90111-SE5-1000	F-01	7	RZ	90442-CB2-9100	E-13	20	RZ
90111-SE5-1000	F-06	19	RZ	90443-SA1-0001	E-16	14	RZ
				90451-BA6-0002	E-14	9	RZ
				90461-BA6-1000	E-03	19	RZ
				90474-SA0-0000	E-14	10	RZ
				90544-HD2-0002	F-09	16	RZ
				90545-BA6-0000	F-04	27	RZ
				90601-BA5-9000	F-09	17	RZ
				90605-SA0-0001	E-13	21	RZ
				90652-BA6-6601	E-03	20	RZ
				90677-SE5-0030	F-06	25	RZ

PART NO. APPLIED COUNTRY INDEX

Part No.	Block No.	Ref. No.	Applied country	Part No.	Block No.	Ref. No.	Applied country
			[90000]	91411-BA6-9600	F-18	23	RZ
90677-SE5-0030	F-24	18	RZ	91456-SZ1-0000	F-13	17	RZ
90677-SE5-0030	F-14	9	RZ				[S2000]
90677-SE5-0030	F-18	21	RZ	S2800-12000	E-17	14	RZ
90683-SE5-0030	F-14	10	RZ	S2900-06020-0B	E-03	23	RZ
90683-SE5-0030	F-18	22	RZ				[S3000]
90701-CB2-0002	E-11	6	RZ	S3404-06012-08	F-24	19	RZ
90701-CB2-0002	E-14	11	RZ	S3404-06016-08	F-16	11	RZ
90701-CB2-0002	E-07	5	RZ	S3404-06016-08	F-17	13	RZ
90741-BA6-9600	E-18	13	RZ	S3404-06016-08	F-18	24	RZ
			[91000]	S3404-06020-08	F-14	11	RZ
91001-SA1-0000	E-13	22	RZ	S3404-06032-08	F-19	19	RZ
91001-SA2-0000	E-18	14	RZ	S3500-04010-0A	E-09	11	RZ
91002-SA1-0000	E-14	12	RZ	S3500-05012-0H	E-08	6	RZ
91003-SA0-0001	E-17	8	RZ	S3500-05028-0H	F-06	26	RZ
91003-SA1-0100	E-14	13	RZ	S3500-SA1-0000-W1	E-08	5	RZ
91004-SA0-0020-M1	E-13	23	RZ	S3600-03005	E-19	15	RZ
91004-SC1-7010-M1	E-17	9	RZ	S3600-04012-0G	F-04	28	RZ
91004-X10-0010	E-16	15	RZ	S3600-06032-1A	E-09	12	RZ
91009-SC1-0030	E-17	10	RZ	S3700-05016-0G	F-02	6	RZ
91102-BA6-0030	E-18	15	RZ	S3891-05010-18	F-24	20	RZ
91104-SA0-0001-M1	E-10	10	RZ	S3891-05014-07	F-05	19	RZ
91105-BA6-0031	E-18	16	RZ	S3891-05014-08	F-14	12	RZ
91201-SA1-0000	E-07	6	RZ	S3891-05014-08	F-18	25	RZ
91202-SA1-0100	E-17	11	RZ	S3891-05014-08	F-24	21	RZ
91203-SA1-0000	E-14	14	RZ	S3892-05016-08	F-26	22	RZ
91204-SA1-0000	E-17	12	RZ	S3892-05028-08	F-03	10	RZ
91211-SE5-0130	E-13	24	RZ	S3892-05045-08	F-03	11	RZ
91212-SA1-0000	E-12	9	RZ	S3893-04012-18	F-04	29	RZ
91252-BA6-0030	F-11	16	RZ	S3893-04012-18	E-19	16	RZ
91255-BA5-9000	F-09	18	RZ	S3901-24580	F-24	22	RZ
91257-BA6-0031	F-12	13	RZ	S3903-24220	F-18	26	RZ
91258-BA6-0061	F-11	17	RZ	S3903-24220	F-19	20	RZ
91301-SA1-0000	F-26	21	RZ	S3903-25280	F-05	20	RZ
91302-CB2-0205	E-16	16	RZ	S3903-25280	F-06	27	RZ
91302-SA0-0000	E-05	9	RZ	S3903-25280	F-18	27	RZ
91303-CB2-1000	E-17	13	RZ	S3903-25380	F-02	7	RZ
91303-SA1-0001	E-03	21	RZ	S3903-25380	F-14	13	RZ
91305-SA4-R300	F-15	10	RZ	S3903-25380	F-17	14	RZ
91306-BA6-6900	E-05	10	RZ	S3903-34120	E-11	7	RZ
91309-BA6-0030	E-10	11	RZ	S3903-34310	F-24	23	RZ
91351-SE5-1000	E-13	25	RZ	S3903-34380	E-01	8	RZ
91356-BA5-9000	F-09	19	RZ	S3903-34380	F-05	21	RZ
91410-BA6-0000	E-03	22	RZ	S3903-34380	F-06	28	RZ

PART NO. APPLIED COUNTRY INDEX

Part No.	Block No.	Ref. No.	Applied country	Part No.	Block No.	Ref. No.	Applied country
[S3000]				S5701-06025-08	F-25	22	RZ
S3903-34380	F-23	10	RZ	S5701-08016-08	E-14	15	RZ
S3903-44220	F-23	11	RZ	S5701-08016-08	F-18	28	RZ
S3903-45320	F-17	15	RZ	S5701-08030-08	F-04	33	RZ
S3904-35380	E-01	9	RZ	S5701-08050-08	F-26	26	RZ
[S4000]				S5801-08025-08	F-10	33	RZ
S4001-08000-0S	E-19	17	RZ	S5801-08035-08	F-20	16	RZ
S4002-06080-0S	E-10	12	RZ	S5801-08055-08	F-20	17	RZ
S4002-06080-0S	F-25	18	RZ	S5801-10035-08	F-21	15	RZ
S4002-10000-0S	F-22	10	RZ	S5801-10035-08	F-26	24	RZ
S4030-10080	F-21	13	RZ	S5801-10045-08	F-08	12	RZ
S4050-06080	F-04	30	RZ	[S6000]			
S4050-06080	F-26	23	RZ	S6001-06012-00	E-08	8	RZ
S4050-06080	F-25	19	RZ	S6001-06012-00	E-07	7	RZ
S4050-06080	F-24	24	RZ	S6001-06018-00	E-07	8	RZ
S4050-06080	F-15	11	RZ	S6001-06020-00	E-02	10	RZ
S4050-06080	F-20	15	RZ	S6001-06020-00	F-25	23	RZ
S4050-06080	F-13	18	RZ	S6001-06020-00	E-03	26	RZ
S4050-08080	E-04	11	RZ	S6001-06020-07	E-01	10	RZ
S4050-12080	E-08	7	RZ	S6001-06022-00	E-16	17	RZ
S4050-12080	E-12	10	RZ	S6001-06022-00	E-07	9	RZ
S4050-12080	E-13	26	RZ	S6001-06028-00	E-03	27	RZ
S4101-06800	F-25	20	RZ	S6001-06028-00	E-14	16	RZ
S4101-10800	F-21	14	RZ	S6001-06032-00	E-07	10	RZ
S4111-06800	F-13	19	RZ	S6001-06035-00	E-14	17	RZ
S4111-06800	F-25	21	RZ	S6001-06035-00	E-07	11	RZ
S4111-08000	F-03	12	RZ	S6001-06040-00	E-11	8	RZ
S4111-08800	E-19	18	RZ	S6001-06040-00	E-16	18	RZ
S4301-10160	E-03	24	RZ	S6001-06045-00	E-11	9	RZ
S4301-10160	E-17	15	RZ	S6001-06045-00	E-07	12	RZ
S4301-10160	E-06	3	RZ	S6001-06045-00	E-14	18	RZ
S4510-17000	F-26	24	RZ	S6001-06050-00	E-11	10	RZ
S4520-28000	E-13	27	RZ	S6001-06055-00	E-10	13	RZ
S4540-06018	E-19	19	RZ	S6001-06065-00	E-16	19	RZ
S4601-15000	E-18	17	RZ	S6001-06065-00	E-17	16	RZ
[S5000]				S6001-06070-00	E-17	17	RZ
S5701-06010-00	E-03	25	RZ	S6001-06145-00	E-03	28	RZ
S5701-06012-07	F-19	21	RZ	S6100-63020-10	E-14	19	RZ
S5701-06012-08	F-04	31	RZ	S6140-63010-10	F-11	18	RZ
S5701-06012-08	F-26	25	RZ	S6150-63020-10	F-12	14	RZ
S5701-06016-08	F-04	32	RZ	S6220-25118	E-09	13	RZ
S5701-06018-08	E-15	9	RZ	S6700-08035-00	F-05	22	RZ
				S6700-08040-00	F-10	34	RZ

PART NO. APPLIED COUNTRY INDEX

Part No.	Block No.	Ref. No.	Applied country	Part No.	Block No.	Ref. No.	Applied country
----------	-----------	----------	-----------------	----------	-----------	----------	-----------------

[S8000]

S8059-58916-00	E-03	29	RZ
S8200-31500	F-16	12	RZ
S8200-31500	F-25	24	RZ
S8200-33000	F-25	25	RZ
S8200-33000	F-16	13	RZ

PARTS NAME INDEX

Description	Block No.	Ref. No.	Description	Block No.	Ref. No.	Description	Block No.	Ref. No.	Description	Block No.	Ref. No.
[A]											
AC.GENERATOR ASS'Y	E-08	2	BOLT, FLANGE 10x200	F-26	18	BOLT, FR.DISK 8x24	F-11	14	BUSH, RR.CUSHION RUBBER	F-22	6
ACTUATOR, IDLE SPEED	E-19	11	BOLT, FLANGE 10x212	F-26	17	BOLT, FR.FORK	F-09	15	BUSH, RR.CUSHION UNDER RUBBER	E-14	1
ADJUSTER, SPRING	F-22	5	BOLT, FLANGE 10x35	F-26	24	BOLT, HANDLE LEVER	F-04	25	BUSH, RR.CUSHION UNDER RUBBER	F-12	1
ARM ASS'Y, EXHAUST VALVE ROCKER	E-04	5	BOLT, FLANGE 10x35	F-21	15	BOLT, MASTER CYLINDER HOLDER	F-04	15	[C]		
ARM ASS'Y, INLET VALVE ROCKER	E-04	3	BOLT, FLANGE 10x45	F-08	12	BOLT, OIL 10x22	F-04	26	CABLE COMP., SPEEDOMETER	F-02	5
ARM ASS'Y, RR.SWING	E-04	3	BOLT, FLANGE 10x50	F-05	15	BOLT, OIL THROUGH 12mm	E-15	7	CABLE COMP., THROTTLE	F-03	1
ARM, EXHAUST VALVE ROCKER	F-12	2	BOLT, FLANGE 5x22	F-25	16	BOLT, PILLION SEAT	F-13	3	CABLE, BATTERY EARTH	F-16	2
ARM, INLET VALVE ROCKER	E-04	6	BOLT, FLANGE 6mm	F-06	19	BOLT, PIN(KL)	F-10	17	CABLE, SEAT LOCK	F-13	7
ARM,RR.SWING	F-12	3	BOLT, FLANGE 6mm	F-01	7	BOLT, RR.CUSHION UNDER	F-22	9	CABLE, START MAGNETIC BATTERY(+)	F-25	7
AXLE, FR.WHEEL	F-11	2	BOLT, FLANGE 6x10	E-03	25	BOLT, SEAT HINGE	F-13	14	CABLE, STARTER MOTOR	E-10	7
[B]											
BALL ASS'Y, STEERING UNDER	F-08	11	BOLT, FLANGE 6x12	F-04	31	BOLT, SOCKET 12mm	E-16	12	CALIPER ASS'Y, LH.FR	F-10	5
BALL ASS'Y, STEERING UPPER	F-08	5	BOLT, FLANGE 6x12	F-19	21	BOLT, SOCKET 5x25	F-25	17	CALIPER ASS'Y, RR.	F-10	30
BAND 46, AIR CLEANER CONNECTING TUBE	E-03	20	BOLT, FLANGE 6x12	F-26	25	BOLT, SOCKET 8mm	F-09	14	CAP A, FLOOR PANEL	F-14	6
BAND 50,AIR/C CONN. TUBE	F-19	13	BOLT, FLANGE 6x16	F-04	32	BOLT, SOCKET 8x35	F-05	22	CAP ASS'Y, INJECTOR	E-03	15
BAR ASS'Y, LH.PILLION STEP	F-18	2	BOLT, FLANGE 6x16	E-05	8	BOLT, SOCKET 8x40	F-10	34	CAP ASS'Y, NOISE SUPPRESSOR	F-25	4
BAR ASS'Y, RH.PILLION STEP	F-18	1	BOLT, FLANGE 6x18	E-15	9	BOLT, SPECIAL 8mm	E-14	8	CAP ASS'Y, OIL FILLER	E-02	8
BAR COMP., SIDE STAND	F-21	9	BOLT, FLANGE 6x25	F-18	22	BOLT, SPECIAL FLANGE 8x32	F-13	16	CAP COMP., FUEL FILLER	F-25	1
BASE, LICENSE LAMP	F-24	8	BOLT, FLANGE 8x16	F-18	28	BOLT, SPECIAL FLANGE 8x35	F-10	32	CAP, AC.GENERATOR	E-17	6
BASE, RR.COMBINATION	F-24	6	BOLT, FLANGE 8x16	E-14	15	BOLT, STUD 6x20	F-03	9	CAP, BLEEDER	F-10	3
BATTERY 12V 10A(MF)	F-16	1	BOLT, FLANGE 8x25	F-10	33	BOLT, WASHER 5x16	E-03	23	CAP, BLEEDER(KL)	F-10	4
BEARING, BALL 6302	E-14	19	BOLT, FLANGE 8x30	F-04	33	BOLT, WASHER 5x16	F-05	17	CAP, INJECTOR	E-03	16
BEARING, NEEDLE	E-13	22	BOLT, FLANGE 8x35	F-20	16	BOLT, WASHER 6x12	F-06	23	CAP, NUMBERING	F-06	13
BEARING, NEEDLE 15x25x12	E-14	12	BOLT, FLANGE 8x50	F-26	26	BOLT, WASHER 6x16	F-24	19	CAP, OIL CUP	F-04	13
BEARING, NEEDLE K28x32x17SV1	E-10	10	BOLT, FLANGE 8x55	F-20	17	BOLT, WASHER 6x16	F-17	13	CAP, SOCKET BOLT 8mm	F-13	17
BEARING, RADIAL BALL 6004UU	E-17	10	BOLT, FLANGE SH.6x12	E-07	7	BOLT, WASHER 6x16	F-16	11	CAP, TAPPET ADJUSTING HOLE	E-16	4
BEARING, RADIAL BALL 6203 TMB	E-17	9	BOLT, FLANGE SH.6x12	E-08	8	BOLT, WASHER 6x16	F-18	24	CAP, UPPER HANDLE COVER	F-05	6
BEARING, RADIAL BALL 63/22 TMB	E-14	13	BOLT, FLANGE SH.6x145	E-03	28	BOLT, WASHER 6x20	F-14	11	CARRIER, RR.	F-13	13
BEARING, RADIAL BALL 6301 TMB	E-17	8	BOLT, FLANGE SH.6x18	E-07	8	BOLT, WASHER 6x32	F-19	19	CASE COMP., LH.CRANK	E-17	2
BEARING, RADIAL BALL 6301U	E-14	13	BOLT, FLANGE SH.6x20	F-25	23	BOOT, PIN(KL)	F-10	19	CASE COMP., RH.CRANK	E-16	1
BEARING, RADIAL BALL 6302UU	F-12	14	BOLT, FLANGE SH.6x20	E-02	10	BOSS, DRIVE FACE	E-12	3	CASE, LH.BOTTOM	F-09	13
BEARING, RADIAL BALL 6305	F-11	18	BOLT, FLANGE SH.6x20	E-01	10	BOX ASS'Y, BATTERY	F-16	9	CASE, RH.BOTTOM	F-09	5
BEARING, RADIAL BALL 6305	E-16	15	BOLT, FLANGE SH.6x22	E-03	26	BOX ASS'Y, LUGGAGE(ENGLISH)	F-17	5	CATCH COMP., SEAT	F-13	6
BEARING, RADIAL BALL 6305	E-18	14	BOLT, FLANGE SH.6x22	E-07	9	BOX ASS'Y, LUGGAGE(FRENCH)	F-17	5	CHAIN, CAM	E-05	1
BEARING, RADIAL BALL 6902U	E-13	23	BOLT, FLANGE SH.6x28	E-16	17	BOX ASS'Y, LUGGAGE(GERMAN)	F-17	5	CIR CLIP 9mm	E-13	21
BELT, DRIVE	E-13	10	BOLT, FLANGE SH.6x28	E-14	16	BOX ASS'Y, LUGGAGE(ITALIAN)	F-17	5	CIR CLIP, EXTERNAL 17mm	F-26	24
BODY ASS'Y, THROTTLE	E-19	2	BOLT, FLANGE SH.6x32	E-03	27	BOX ASS'Y, LUGGAGE(SPANISH)	F-17	5	CIR CLIP, INTERNAL 28mm	E-13	27
BODY COMP., FRAME	F-26	4	BOLT, FLANGE SH.6x35	E-07	10	BOX ASS'Y, SPEEDOMETER GEAR	F-11	9	CLAMP, BRAKE HOSE	F-04	9
BODY COMP., THROTTLE	E-19	3	BOLT, FLANGE SH.6x35	E-07	11	BOX, LUGGAGE	F-17	6	CLAMP, BREATHER TUBE	E-11	1
BODY, MASTER FRONT	F-04	11	BOLT, FLANGE SH.6x40	E-14	17	BRACKET, CALIPER(DC)	F-10	0	CLAMPER, CORD	E-07	4
BODY, OIL PUMP	E-09	2	BOLT, FLANGE SH.6x40	E-16	18	BRACKET, RR.CALIPER	F-10	31	CLEANER ASS'Y, AIR	F-19	3
BODY, RR.MASTER CYLINDER	F-04	21	BOLT, FLANGE SH.6x45	E-11	8	BULB, HEADLIGHT(12V 55W)	F-01	5	CLIP 2x90	F-18	23
BOLT ASS'Y, SPECIAL 6x28	E-02	9	BOLT, FLANGE SH.6x45	E-14	18	BULB, MARKER LIGHT(12V 4W)	F-24	12	CLIP, 2x60	E-03	22
BOLT, CYLINDER STUD	E-16	13	BOLT, FLANGE SH.6x50	E-11	9	BULB, TAIL & STOP(12V 21W/5W)	F-24	14	CLIP, BODY COVER	F-14	10
BOLT, CYLINDER STUD	E-17	5	BOLT, FLANGE SH.6x50	E-07	12	BULB, WEDGE BASE(12V 5W)	F-01	6	CLIP, BODY COVER	F-18	22
BOLT, DRAIN PLUG 12mm	E-17	14	BOLT, FLANGE SH.6x55	E-11	10	BULB, WINKER(12V 10W)	F-24	13	CLIP, BREATHER TUBE	F-19	2
			BOLT, FLANGE SH.6x55	E-10	13	BULB, WINKER(12V 10W)	F-23	9	CLIP, FUEL HOSE	F-15	8
			BOLT, FLANGE SH.6x65	E-17	16	BUSH A, ENGINE HANGER RUBBER	F-26	14	CLIP, PISTON PIN 15mm	E-18	17
			BOLT, FLANGE SH.6x65	E-16	19	BUSH, ENGINE HANGER RUBBER	F-26	10	CLIP, TUBE	F-15	5
			BOLT, FLANGE SH.6x70	E-17	17	BUSH, GUIDE	F-09	7			
			BOLT, FR.DISK 8x24	F-12	11	BUSH, PIN(KL)	F-10	18			

PARTS NAME INDEX

Description	Block No.	Ref. No.	Description	Block No.	Ref. No.	Description	Block No.	Ref. No.	Description	Block No.	Ref. No.
[C]											
CLIP, TUBE	F-19	16	COVER ASS'Y, RR.UPPER(SILVER)	F-18	7	COVER, RR.UNDER(G/BLUE)	F-18	10	FENDER, FR.(G/BLUE)	F-07	2
CLOCK ASS'Y (ACCESSORY)	F-05	1	COVER ASS'Y, RR.UPPER(T/GRAY)	F-18	7	COVER, RR.UNDER(O/RED)	F-18	10	FENDER, FR.(O/RED)	F-07	2
COIL COMP., IGNITION	F-25	3	COVER ASS'Y, UPPER HANDLE	F-05	5	COVER, RR.UNDER(SILVER)	F-18	10	FENDER, FR.(SILVER)	F-07	2
COLLAR, ENGINE HANGER	F-26	11	COVER B, FR.UNDER(D/BLUE)	F-06	3	COVER, RR.UNDER(T/GRAY)	F-18	10	FENDER, FR.(T/GRAY)	F-07	2
COLLAR, ENGINE HANGER PIVOT	F-26	13	COVER B, FR.UNDER(G/BLUE)	F-06	3	COVER, RR.UNDER(D/BLUE)	F-18	9	FENDER, RR.	F-24	17
COLLAR, FR.DISTANCE	F-11	6	COVER B, FR.UNDER(O/RED)	F-06	3	COVER, RR.UPPER(G/BLUE)	F-18	9	FLYWHEEL COMP.	E-08	3
COLLAR, FR.WHEEL SIDE	F-11	3	COVER B, FR.UNDER(SILVER)	F-06	3	COVER, RR.UPPER(O/RED)	F-18	9	FORK ASS'Y, LH.FR.	F-09	12
COLLAR, HANDLE SETTING	F-05	4	COVER B, FR.UNDER(T/GRAY)	F-06	3	COVER, RR.UPPER(SILVER)	F-18	9	FORK ASS'Y, RH.FR.	F-09	1
COLLAR, MAIN STAND	F-21	3	COVER COMP., CYLINDER HEAD SIDE	E-02	4	COVER, RR.UPPER(T/GRAY)	F-18	9	FRONT ACRYL	F-02	2
COLLAR, MUFFLER MOUNT	F-20	3	COVER COMP., OIL FILTER	E-16	2	COVER, TRANSMISSION	E-14	2	FUSE, BLADE 15A	F-16	12
COLLAR, MUFFLER PROTECTOR	F-20	1	COVER COMP., RH.CRANK CASE	E-07	1	COVER, UNDER	F-14	3	FUSE, BLADE 15A	F-25	24
COLLAR, OIL PICK UP	E-16	11	COVER, AIR DUCT	F-19	18	COVER, UPPER HANDLE	F-05	7	FUSE, BLADE 30A	F-16	13
COLLAR, RADIATOR	E-15	3	COVER, BATTERY	F-17	3	CUSHION ASS'Y, RR.	F-22	1	FUSE, BLADE 30A	F-25	25
COLLAR, RR.AXLE	E-12	8	COVER, CARBURETOR MAINTENANCE	F-17	7	CYLINDER ASS'Y, FR.MASTER	F-04	10			
COLLAR, RR.WHEEL INSIDE	F-12	4	COVER, CENTER	F-18	6	CYLINDER ASS'Y, RR.MASTER	F-04	20	[G]		
COLLAR, RR.WHEEL OUTSIDE	F-12	5	COVER, CYLINDER HEAD	E-02	2	CYLINDER COMP.	E-06	1	GASKET, CRANK CASE	E-17	1
COLLAR, RUBBER BUSH	F-22	7	COVER, DUST	F-01	3	CYLINDER SET, MASTER	F-04	18	GASKET, CYLINDER	E-06	2
COLLAR, SEAL	E-13	17	COVER, ENGINE COOLANT	F-06	17				GASKET, CYLINDER HEAD	E-03	4
COLLAR, SIDE	E-19	10	COVER, FR.(D/BLUE)	F-06	6	DAMPER COMP., RR.	F-22	4	GASKET, CYLINDER HEAD COVER	E-02	3
COLLAR, SPRING	E-13	18	COVER, FR.(G/BLUE)	F-06	6	DATA PLATE,MANUFACTURER'S	F-26	16	GASKET, CYLINDER HEAD SIDE COVER	E-02	5
COLLAR, THROTTLE RETURN SPG.	E-19	8	COVER, FR.(O/RED)	F-06	6	DIAPHRAGM	F-04	16	GASKET, EXHAUST PIPE	F-20	8
CONTROL LABEL, ANTI-TAMPERING	F-17	9	COVER, FR.(SILVER)	F-06	6	DISK, FR.BRAKE	F-11	13	GASKET, EXHAUST PIPE FLANGE	F-20	9
COTTER, VALVE	E-03	11	COVER, FR.(T/GRAY)	F-06	6	DISK, RR.BRAKE	F-12	10	GASKET, TENSIONER LIFTER	E-07	2
COVER A ASS'Y, FR.UNDER(D/BLUE)	F-06	7	COVER, INNER	F-06	12	DUCT A, AIR CLEANER INLET	F-19	10	GASKET, STARTER DRIVEN	E-10	3
COVER A ASS'Y, FR.UNDER(G/BLUE)	F-06	7	COVER, LH.BODY SIDE	F-18	14	DUCT ASS'Y, AIR CLEANER INLET	F-19	9	GEAR, OIL PUMP DRIVE	E-18	12
COVER A ASS'Y, FR.UNDER(O/RED)	F-06	7	COVER, LH.BODY(D/BLUE)	F-18	13	DUCT B, AIR CLEANER INLET	F-19	11	GEAR, OIL PUMP DRIVE	E-09	4
COVER A ASS'Y, FR.UNDER(SILVER)	F-06	7	COVER, LH.BODY(G/BLUE)	F-18	13	DUCT C, AIR CLEANER INLET	F-19	12	GEAR, SPEEDOMETER	F-11	11
COVER A ASS'Y, FR.UNDER(T/GRAY)	F-06	7	COVER, LH.BODY(O/RED)	F-18	13	DUST SEAL, PISTON(KL)	F-10	13	GEAR, STARTER REDUCTION	E-10	1
COVER A, FR.UNDER(D/BLUE)	F-06	8	COVER, LH.BODY(SILVER)	F-18	13	[E]			GLASS COMP., OIL SIGHT	E-17	3
COVER A, FR.UNDER(G/BLUE)	F-06	8	COVER, LH.BODY(T/GRAY)	F-18	13	E-RING, 6mm	E-19	19	GRILLE, LH.INNER COVER	F-06	15
COVER A, FR.UNDER(O/RED)	F-06	8	COVER, LH.FLOOR SIDE(D/BLUE)	F-14	2	ELEMENT A, SIDE COVER	E-02	6	GRILLE, RH.INNER COVER	F-06	14
COVER A, FR.UNDER(SILVER)	F-06	8	COVER, LH.FLOOR SIDE(G/BLUE)	F-14	2	ELEMENT B, SIDE COVER	E-02	7	GRIP COMP., RH.	F-03	4
COVER A, FR.UNDER(T/GRAY)	F-06	8	COVER, LH.FLOOR SIDE(O/RED)	F-14	2	ELEMENT COMP., AIR CLEANER	F-19	5	GRIP, LH.HANDLE	F-03	6
COVER ASS'Y, AIR CLEANER	F-19	8	COVER, LH.FLOOR SIDE(SILVER)	F-14	2	ELEMENT, OIL FILTER	E-16	5	GROMMET, SHROUD B	E-01	5
COVER ASS'Y, CENTER(ENGLISH)	F-18	5	COVER, LH.FLOOR SIDE(T/GRAY)	F-14	2	[F]			GROMMET, WIRE	F-07	1
COVER ASS'Y, CENTER(FRENCH)	F-18	5	COVER, LH.UNDER HANDLE	F-05	9	FACE ASS'Y, DRIVEN	E-13	11	GUIDE RUBBER, MISSION COVER	E-14	4
COVER ASS'Y, CENTER(GERMAN)	F-18	5	COVER, METER	F-06	4	FACE ASS'Y, MOVABLE DRIVE	E-12	1	GUIDE, CAM CHAIN	E-05	6
COVER ASS'Y, CENTER(ITALIAN)	F-18	5	COVER, RH.BODY SIDE	F-18	11	FACE COMP., DRIVEN	E-13	12			
COVER ASS'Y, CENTER(SPANISH)	F-18	5	COVER, RH.BODY(D/BLUE)	F-18	8	FACE COMP., MOVABLE DRIVE	E-12	4	[H]		
COVER ASS'Y, CYLINDER HEAD	E-02	1	COVER, RH.BODY(G/BLUE)	F-18	8	FACE COMP., MOVABLE DRIVEN	E-13	13	HANDLE COMP., STEERING	F-05	2
COVER ASS'Y, ENGINE COOLANT	F-06	16	COVER, RH.BODY(O/RED)	F-18	8	FACE, DRIVE	E-12	2	HANGER ASS'Y, ENGINE	F-26	7
COVER ASS'Y, FAN	E-01	1	COVER, RH.BODY(SILVER)	F-18	8	FAN COMP., COOLING	E-08	1	HANGER PIN	F-10	25
COVER ASS'Y, INNER	F-06	11	COVER, RH.BODY(T/GRAY)	F-18	8	FENDER ASS'Y, RR.	F-24	15	HARNESS, WIRE	F-25	6
COVER ASS'Y, LH.CRANK CASE	E-11	2	COVER, RH.FLOOR SIDE(D/BULE)	F-14	1	FENDER, FR.(D/BLUE)	F-07	2	HEAD ASS'Y, CYLINDER	E-03	1
COVER ASS'Y, RR.UPPER(D/BLUE)	F-18	7	COVER, RH.FLOOR SIDE(G/BULE)	F-14	1				HEAD COMP., CYLINDER	E-03	2
COVER ASS'Y, RR.UPPER(G/BLUE)	F-18	7	COVER, RH.FLOOR SIDE(O/RED)	F-14	1				HEADLIGHT ASS'Y	F-01	1
COVER ASS'Y, RR.UPPER(SILVER)	F-18	7	COVER, RH.FLOOR SIDE(SILVER)	F-14	1						
COVER ASS'Y, RR.UPPER(T/GRAY)	F-18	7	COVER, RH.FLOOR SIDE(T/GRAY)	F-14	1						
			COVER, RH.UNDER HANDLE	F-05	8						
			COVER, RR.UNDER(D/BLUE)	F-18	10						

PARTS NAME INDEX

Description	Block No.	Ref. No.	Description	Block No.	Ref. No.	Description	Block No.	Ref. No.	Description	Block No.	Ref. No.
[R]			[S]								
RACE, STEERING TOP CONE	F-08	6	SCREEN ASSY, WIND	F-05	10	SCREW, TAPPING 5x16	F-14	13	SHAFT COMP., CRANK	E-18	1
RADIATOR ASSY, OIL	E-15	1	SCREEN, AIR FILTER	E-11	3	SCREW, TAPPING 5x16	F-17	14	SHAFT COMP., FINAL	E-14	7
RADIATOR COMP., OIL	E-15	2	SCREEN, OIL FILTER	E-16	9	SCREW, TAPPING 5x16	F-17	15	SHAFT COMP., RH.CRANK	E-18	8
RECTIFIER ASSY, REGULATOR	F-25	5	SCREEN, WIND	F-05	11	SCREW, TORUS 6x12	F-13	15	SHAFT, DRIVE(13T)	E-14	5
REFLECTOR, REFLEX	F-24	11	SCREW , TORUS WASHER6x13	F-20	13	SCREW, WASHER 4x12	F-04	29	SHAFT, EXHAUST ROCKER ARM	E-04	8
REFLECTOR, WINKER	F-23	3	SCREW 6x18	E-01	7	SCREW, WASHER 4x12	E-19	16	SHAFT, INLET ROCKER ARM	E-04	7
REFLECTOR, WINKER	F-23	7	SCREW, ADJUST	E-19	1	SCREW, WASHER 5x10	F-24	20	SHAFT, LH.CRANK	E-18	9
RELAY ASSY, AUDIBLE PILOT WINKER	F-16	4	SCREW, BLEEDER	F-10	1	SCREW, WASHER 5x12	E-01	6	SHAFT, OIL PUMP	E-09	5
RELAY ASSY, LIGHT	F-16	6	SCREW, BLEEDER(KL)	F-10	2	SCREW, WASHER 5x14	F-14	12	SHAFT, REDUCTION GEAR	E-10	2
RELAY COMP., AUDIBLE PILOT WINKER	F-16	5	SCREW, FLAT 3x5	E-19	15	SCREW, WASHER 5x14	F-05	19	SHAFT, THROTTLE	E-19	7
RELAY COMP., START	F-16	7	SCREW, FLAT 4x12	F-04	28	SCREW, WASHER 5x14	F-24	21	SHIM, RH.(KL)	F-10	16
REST ASSY, BACK	F-13	10	SCREW, FLAT 6x32	E-09	12	SCREW, WASHER 5x14	F-18	25	SHROUD COMP., LH	E-01	4
REST SET, BACK	F-13	8	SCREW, OVAL 5x16	F-02	6	SCREW, WASHER 5x16	F-26	22	SHROUD COMP., RH.	E-01	2
RETAINER, CONROD LARGE END	E-18	16	SCREW, PAN 4x10	E-09	11	SCREW, WASHER 5x28	F-03	10	SOCKET COMP., CHARGE	F-17	1
RETAINER, GEAR BOX	F-11	7	SCREW, PAN 5x12	E-08	6	SCREW, WASHER 5x45	F-03	11	SOCKET COMP., HEADLIGHT	F-01	4
RETAINER, VALVE SPRING	E-03	9	SCREW, PAN 5x28	F-06	26	SEAL, AIR CLEANER COVER	F-19	6	SOCKET COMP., LH.WINKER	F-23	8
RH.GRIP, BACK REST	F-13	11	SCREW, PAN 6x6	E-05	7	SEAL, DUST	F-10	14	SOCKET COMP., LICENSE LAMP	F-24	10
RING, BACK UP	F-09	11	SCREW, SIDE STAND PIVOT	F-21	12	SEAL, DUST	F-09	6	SOCKET COMP., RH.WINKER	F-23	4
RING, OIL SEAL STOP	F-09	17	SCREW, SPECIAL 5x12	F-18	19	SEAL, DUST	F-10	12	SOCKET COMP., RR.COMBINATION	F-24	5
RING, PISTON	F-09	9	SCREW, SPECIAL 5x12	F-14	8	SEAL, DUST 40x50x5	F-11	17	SPECIAL BOLT, INLET PIPE	E-03	18
RING, PISTON 2ND	E-18	5	SCREW, SPECIAL 5x12	F-15	9	SEAL, ELEMENT	F-19	7	SPRING SET, MAIN STAND	F-21	5
RING, PISTON OIL	E-18	6	SCREW, SPECIAL 5x14	F-16	10	SEAL, MISSION COVER	E-14	3	SPRING SET, SIDE STAND	F-21	8
RING, PISTON TOP	E-18	4	SCREW, SPECIAL 5x14	F-05	16	SEAL, OIL	F-09	18	SPRING, CLUTCH	E-13	5
RIVET, BLIND 3.2x8.5	F-26	2	SCREW, SPECIAL 5x14	F-16	10	SEAL, OIL	E-19	9	SPRING, DRIVEN FACE	E-13	16
ROD, CONNECTING	E-18	7	SCREW, SPECIAL 5x14	F-06	21	SEAL, OIL 22x39x7	E-14	14	SPRING, FR.FORK	F-09	2
ROLLER 2.5x11.8	E-09	13	SCREW, SPECIAL 5x14	F-18	20	SEAL, OIL 23x37x7	F-11	16	SPRING, MAIN STAND INNER	F-21	7
ROLLER 4x14.8A	E-18	15	SCREW, SPECIAL 5x16	F-19	17	SEAL, OIL 24x31x3	E-12	9	SPRING, MAIN STAND OUTER	F-21	6
ROLLER COMP., WEIGHT 12g	E-12	5	SCREW, SPECIAL 6x10	F-06	20	SEAL, OIL 25x42x7	E-17	11	SPRING, OIL FILTER	E-16	6
ROLLER, GUIDE	E-13	15	SCREW, SPECIAL 6x14	F-18	18	SEAL, OIL 28x42x7	F-12	13	SPRING, OIL FILTER SCREEN	E-16	10
ROTOR ASSY, OIL PUMP	E-09	6	SCREW, SPECIAL 6x14	F-07	3	SEAL, OIL 30x42x7	E-17	12	SPRING, PAD	F-10	11
ROTOR, OIL PUMP INNER	E-09	7	SCREW, SPECIAL 6x16	F-17	10	SEAL, OIL 34x39x3	E-13	24	SPRING, PAD(KL)	F-10	10
ROTOR, OIL PUMP OUTER	E-09	8	SCREW, SPECIAL PAN 5x32	E-08	5	SEAL, OIL FILTER	E-16	3	SPRING, REBOUND	F-09	4
RUBBER, CLUTCH DAMPER	E-13	7	SCREW, TAPPET ADJUSTING	E-04	9	SEAL, PISTON	F-10	22	SPRING, RELIEF VALVE	E-16	8
RUBBER, CUSHION	F-06	9	SCREW, TAPPING 4x10	F-18	26	SEAL, PISTON	F-10	24	SPRING, RR.CUSHION	F-22	2
RUBBER, LICENSE PLATE	F-24	16	SCREW, TAPPING 4x10	F-23	11	SEAL, PISTON(KL)	F-10	23	SPRING, SIDE STAND INNER	F-21	10
RUBBER, LINK STOPPER	F-26	9	SCREW, TAPPING 4x12	F-19	20	SEAL, SHROUD	E-01	3	SPRING, SIDE STAND OUTER	F-21	11
RUBBER, MAGNETIC SHOCK	F-25	14	SCREW, TAPPING 4x12	F-24	23	SEAL, STEERING DUST	F-08	8	SPRING, THROTTLE RETURN	E-19	5
RUBBER, MUFFLER MOUNT	F-20	5	SCREW, TAPPING 4x12	F-06	28	SEAL, VALVE STEM	E-03	3	SPRING, VALVE	E-03	8
RUBBER, PROTECTOR	F-20	2	SCREW, TAPPING 4x12	F-23	10	SEAT ASSY	F-13	5	SPROCKET, TIMMING	E-18	11
RUBBER, RADIATOR	E-15	4	SCREW, TAPPING 4x12	E-01	8	SEAT COMP., PILLION	F-13	9	STAND ASSY, MAIN	F-21	1
RUBBER, RR.UPPER COVER CUSHION	F-18	12	SCREW, TAPPING 4x12	F-05	21	SEAT SET	F-13	4	STAND COMP., MAIN	F-21	2
RUBBER, STOPPER	F-22	8	SCREW, TAPPING 4x20	F-24	22	SEAT, VALVE SPRING	E-03	10	STATOR COMP.	E-08	4
RUBBER, WIND SCREEN MOUNT	F-05	12	SCREW, TAPPING 4x8	E-11	7	SENSOR, ENGINE TEMP.	E-03	5	STAY COMP., AIR CLEANER A	E-11	5
RUBBER, WIND SCREEN SEALING	F-06	2	SCREW, TAPPING 5x12	F-18	27	SENSOR, MAP & AT	E-19	13	STAY COMP., AIR CLEANER B	F-19	4
RUBBER, WINKER RELAY SHOCK	F-16	3	SCREW, TAPPING 5x12	F-05	20	SENSOR, OXYGEN	F-20	12	STAY, TANK UNDER SUPPORT	F-26	6
			SCREW, TAPPING 5x12	F-06	27	SENSOR, THROTTLE POSITION	E-19	12	STEM COMP., STEERING	F-08	4
			SCREW, TAPPING 5x16	F-02	7	SET, FLOOR PANEL	F-14	4	STOPPER RUBBER, STAND	F-21	4
			SCREW, TAPPING 5x16	E-01	9	SET, KEY	F-25	8	SUB ASSY, MUFFLER	F-20	6
						SHAFT COMP., CAM	E-04	2	SUB CORD, ETS	E-03	17
						SHAFT COMP., COUNTER(14T)	E-14	6	SUSPENSION, LIGHT RELAY	F-16	8

