

DAELIM

SN 125

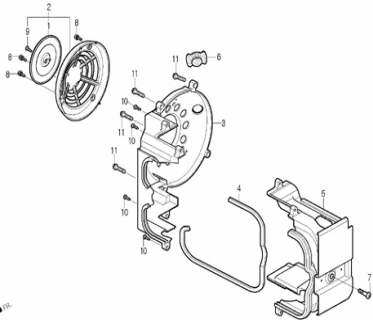
B-Bone Europe

파트리스트
PARTS LIST

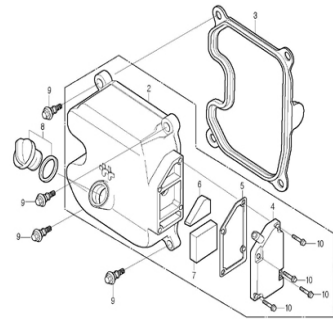
 **대림자동차**
<http://www.dmc.co.kr>

ENGINE GROUP

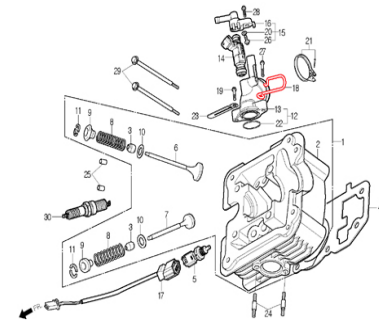
E-01 FAN COVER / SHROUD



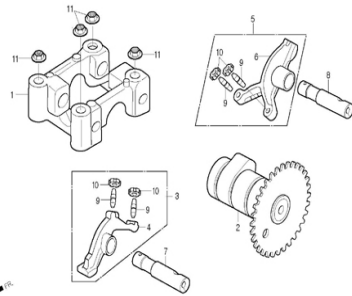
E-02 CYLINDER HEAD COVER



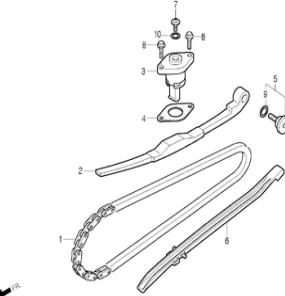
E-03 CYLINDER HEAD / VALVE



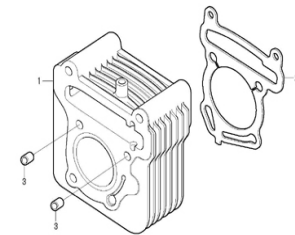
E-04 CAM SHAFT



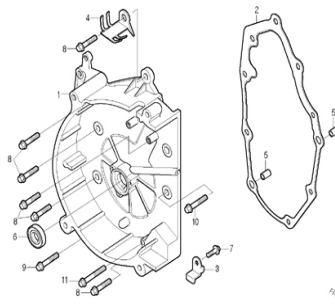
E-05 CAM CHAIN / TENSIONER



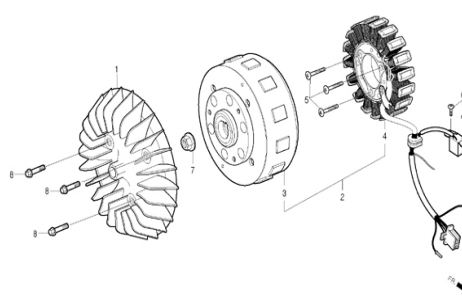
E-06 CYLINDER



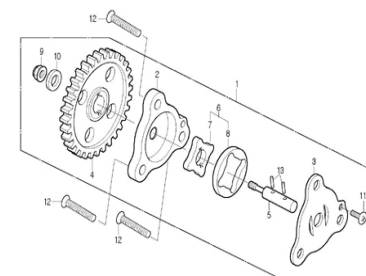
E-07 RIGHT CRANK CASE COVER



E-08 GENERATOR

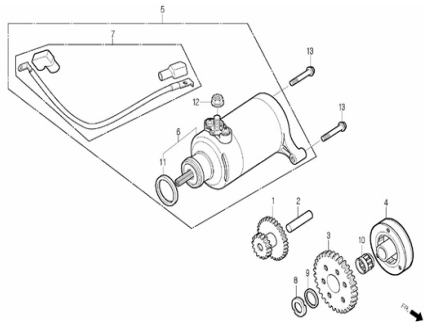


E-09 OIL PUMP

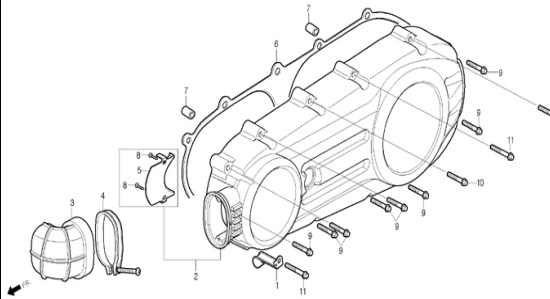


ENGINE GROUP

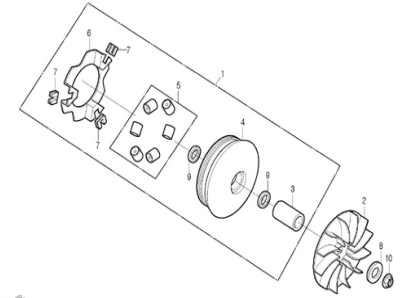
E-10 STARTER MOTOR



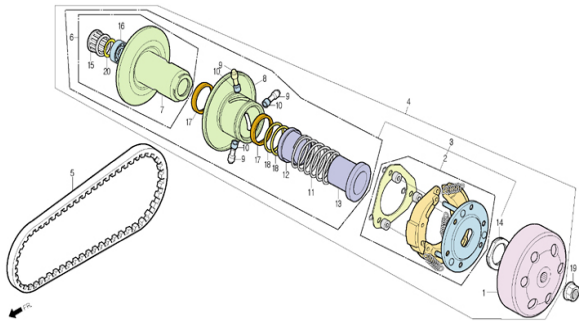
E-11 LEFT CRANK CASE COVER



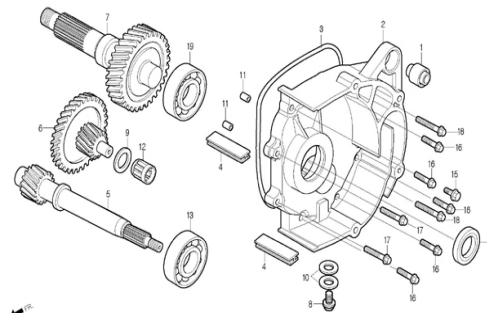
E-12 DRIVE FACE



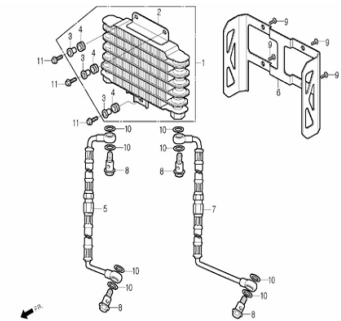
E-13 DRIVEN FACE



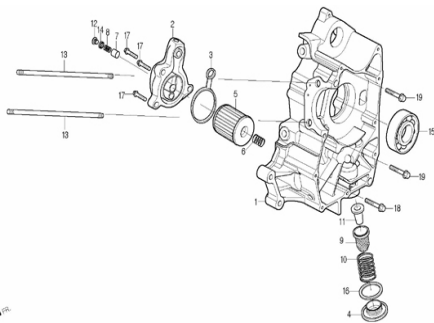
E-14 TRANSMISSION



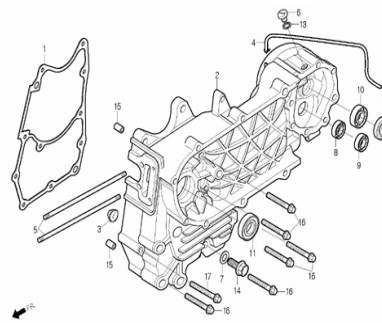
E-15 RADIATOR / RADIATOR HOSE



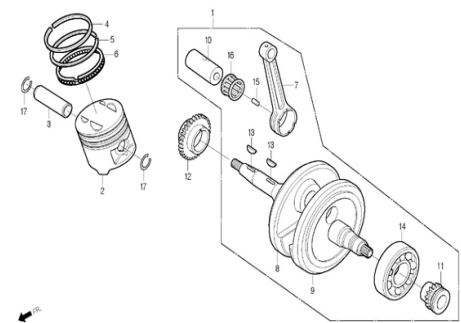
E-16 RIGHT CRANK CASE



E-17 LEFT CRANK CASE



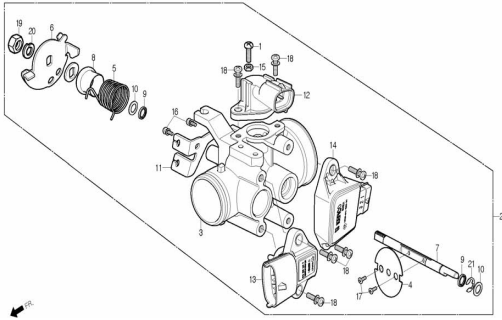
E-18 CRANK SHAFT / PISTON



ENGINE GROUP

E-19

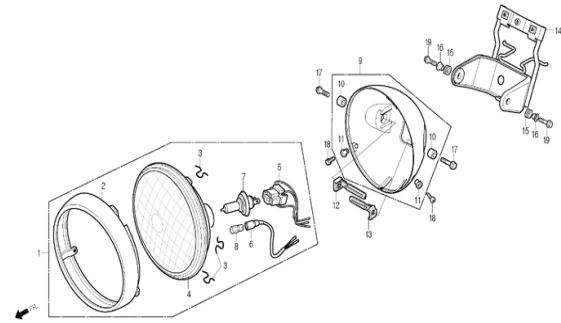
THROTTLE BODY



FRAME GROUP

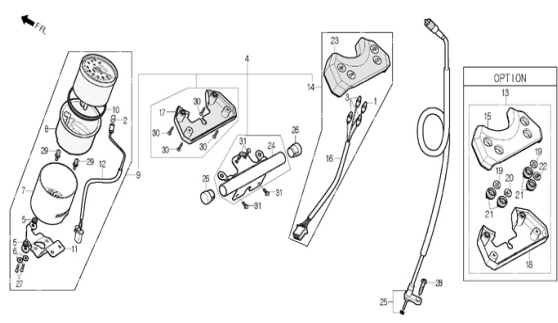
F-01

HEADLIGHT



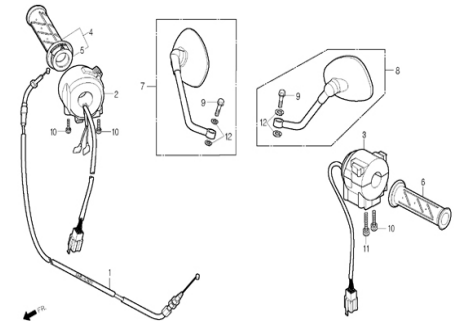
F-02

SPEEDOMETER



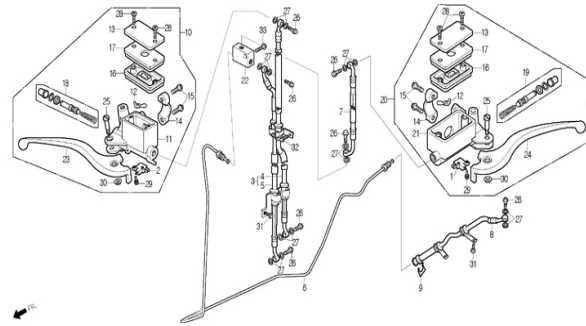
F-03

HANDLE LEVER / SWITCH / CABLE



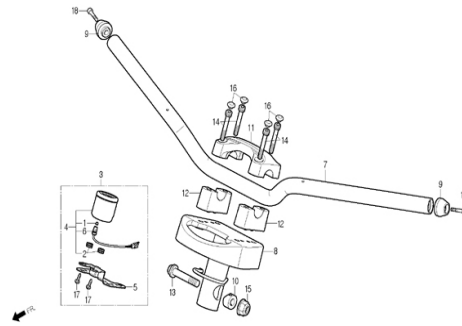
F-04

MASTER CYLINDER



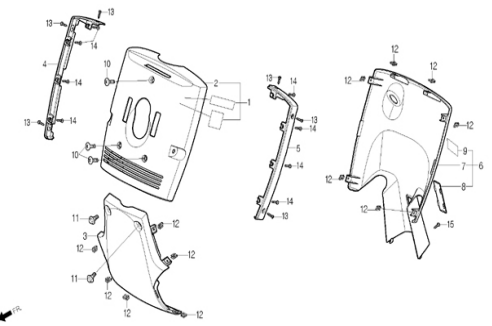
F-05

STEERING HANDLE



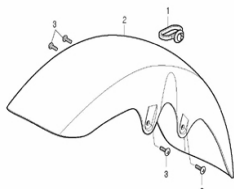
F-06

FRONT COVER / INNER BOX



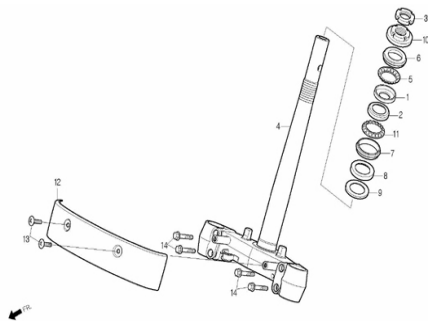
F-07

FRONT FENDER



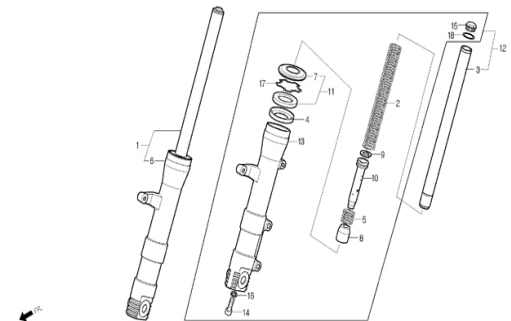
F-08

STEERING STEM



F-09

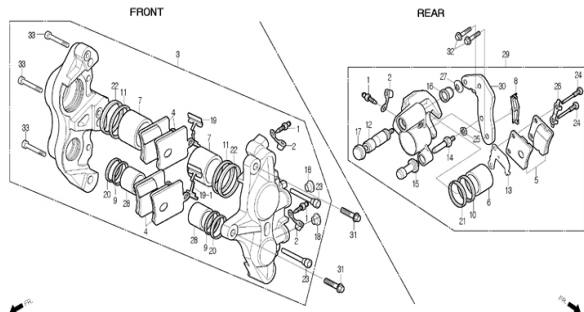
FRONT FORK



FRAME GROUP

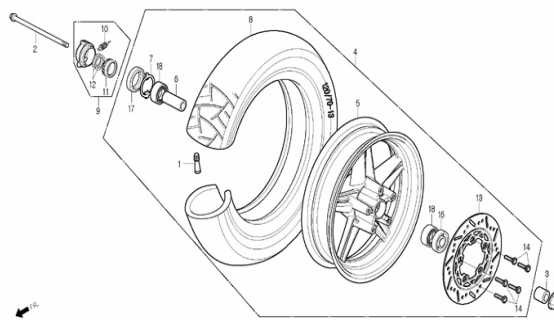
F-10

BRAKE CALIPER



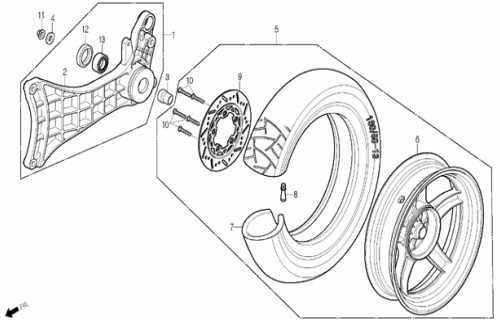
F-11

FRONT WHEEL



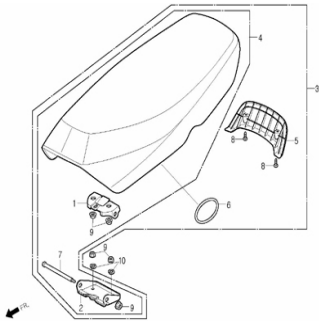
F-12

REAR WHEEL



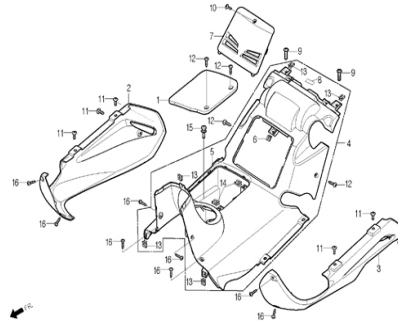
F-13

SEAT



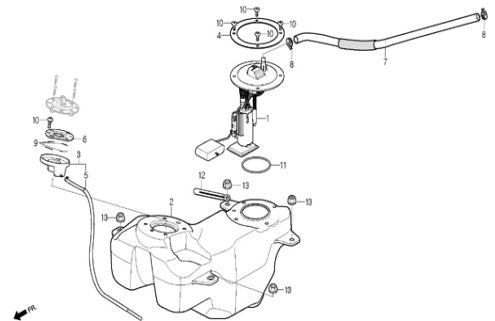
F-14

FLOOR SIDE COVER / FLOOR PANEL



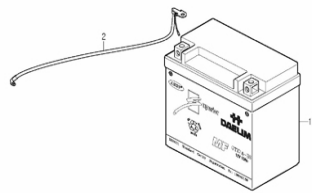
F-15

FUEL TANK



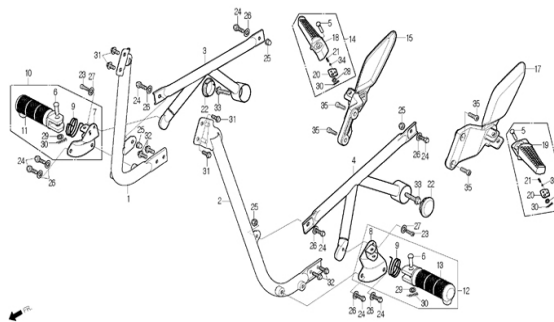
F-16

BATTERY



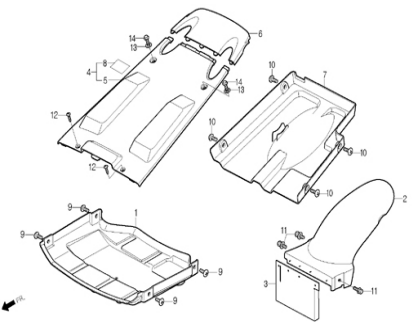
F-17

STEP / TRUSS PIPE / CRADLE PIPE



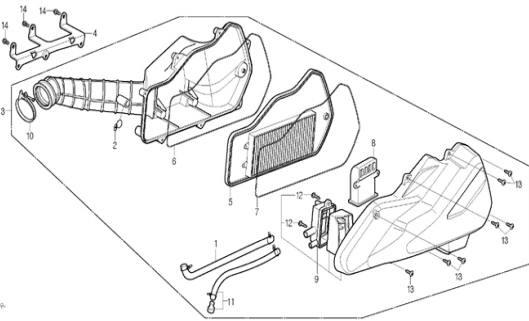
F-18

CENTER COVER / UNDER COVER

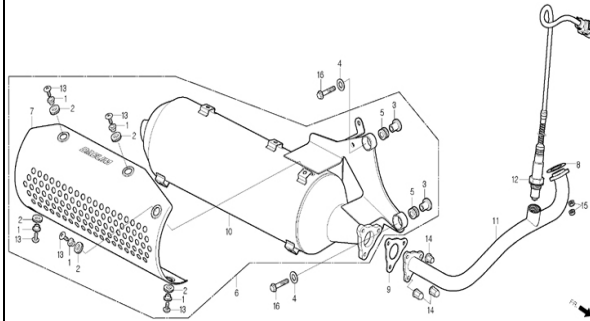


FRAME GROUP

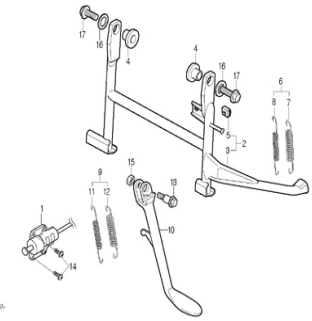
F-19 AIR CLEANER



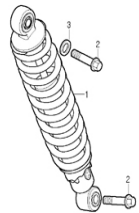
F-20 EXHAUST MUFFLER



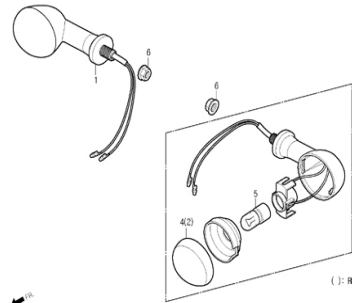
F-21 STAND



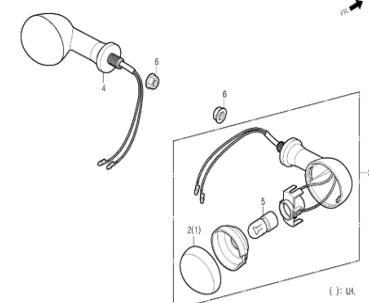
F-22 REAR CUSHION



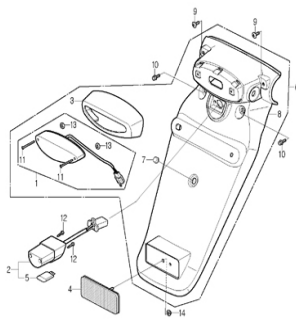
F-23 FRONT WINKER



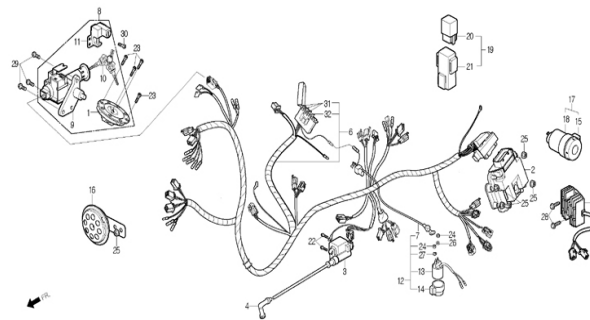
F-24 REAR WINKER



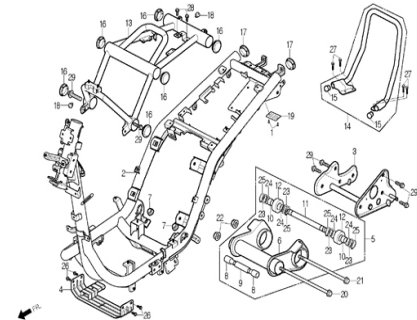
F-25 REAR FENDER / TAIL LIGHT



F-26 WIRE HARNESS / IGNITION COIL



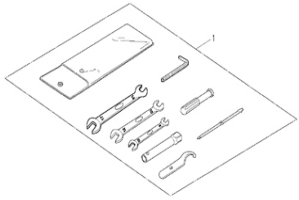
F-27 FRAME BODY



FRAME GROUP

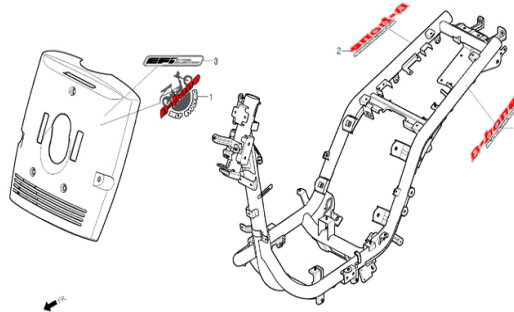
F-28

TOOLS



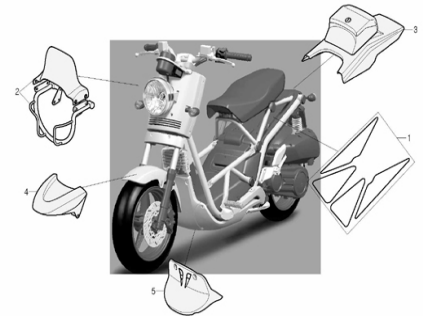
F-29

MARK



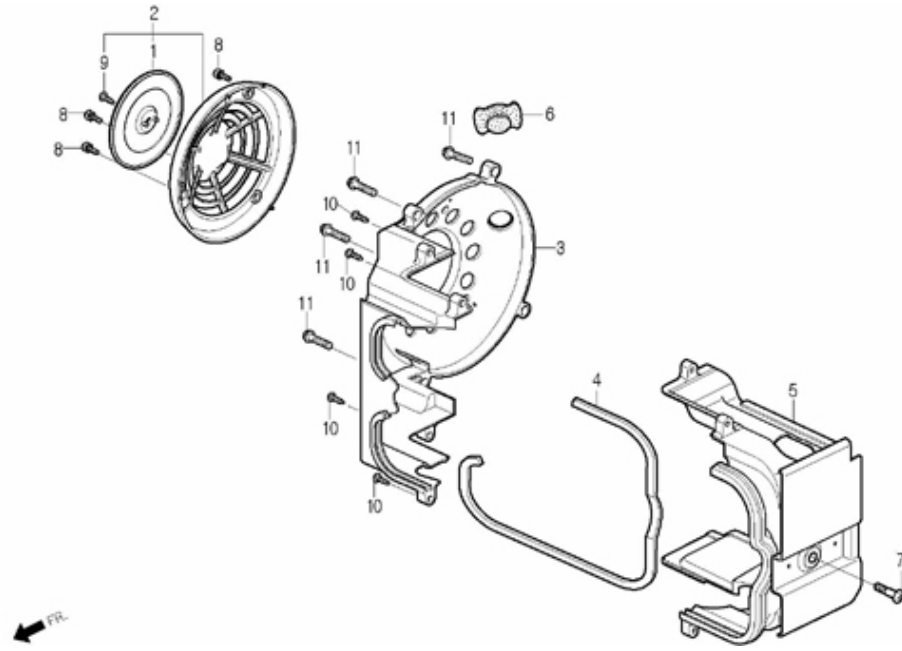
F-30

OPTION PARTS



E-01

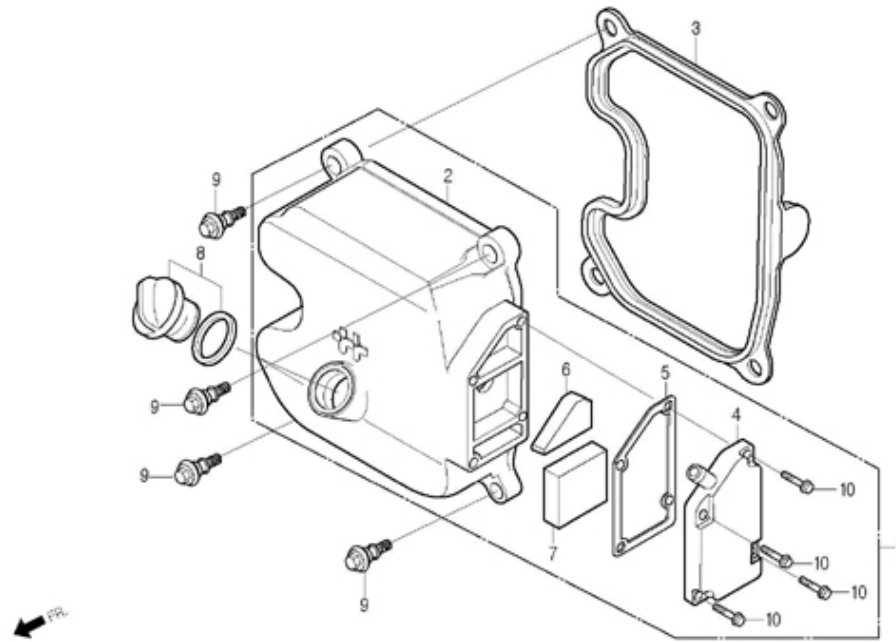
FAN COVER / SHROUD



Service item	FRT	Ref. No.	Part No.	Description	QTY	A/S	Exch	Start Date	Start FRM.No	End FRM.No
SHROUD COMP., RH. (ADD 0.2 FOR EACH) COVER ASSY, FAN	1.0	1	19614-SA8-0000	UPPER COVER, FAN	1	N		20081219	KMYSA8BLS9C000001	
	0.1	2	19615-SA8-0000	COVER ASS'Y, FAN	1	Y		20081219	KMYSA8BLS9C000001	
		3	19620-SA4-0010	SHROUD COMP., RH.	1	Y		20081219	KMYSA8BLS9C000001	
		4	19625-SA4-0000	SEAL, SHROUD	1	Y		20081219	KMYSA8BLS9C000001	
		5	19630-SA4-0000	SHROUD COMP., LH.	1	Y		20081219	KMYSA8BLS9C000001	
		6	19633-SA0-0000	GROMMET, SHROUD B	1	Y		20081219	KMYSA8BLS9C000001	
		7	90108-BA5-9000	SCREW 6x18	1	Y		20081219	KMYSA8BLS9C000001	
		8	S3891-05014-07	SCREW, WASHER 5x14	3	Y		20081219	KMYSA8BLS9C000001	
		9	S3903-34380	SCREW, TAPPING 4x12	1	N		20081219	KMYSA8BLS9C000001	
		10	S3904-35380	SCREW, TAPPING 5x16	4	Y		20081219	KMYSA8BLS9C000001	
		11	S6001-06020-07	BOLT, FLANGE SH.6x20	4	Y		20081219	KMYSA8BLS9C000001	

E-02

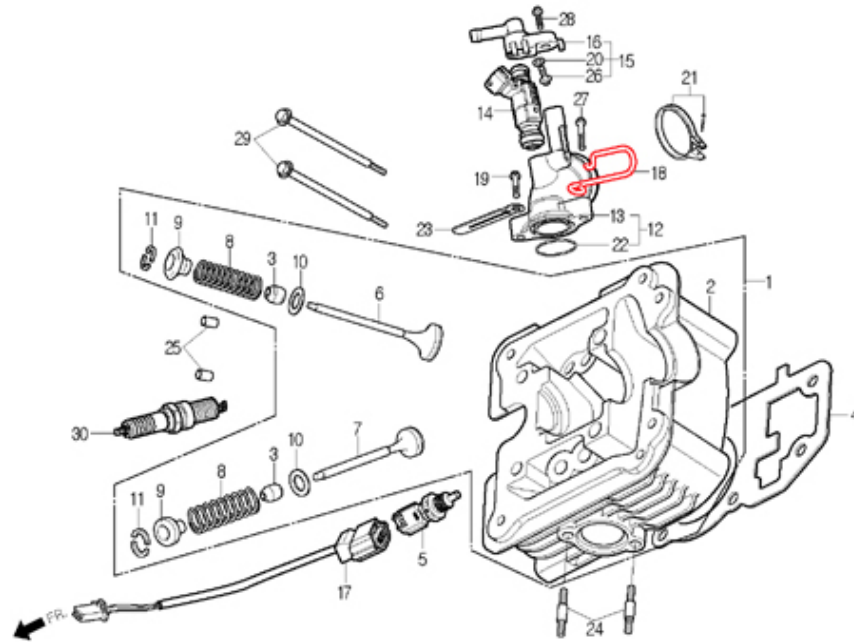
CYLINDER HEAD COVER



Service item	FRT	Ref. No.	Part No.	Description	QTY	A/S	Exch	Start Date	Start FRM.No	End FRM.No
COVER ASS'Y, CYLINDER HEAD	1.2	1	12300-SA2-RB00	COVER ASS'Y, CYLINDER HEAD	1	Y		20081219	KMYSA8BLS9C000001	
GASKET, CYLINDER HEAD COVER	1.2	2	12301-SA2-RB00	COVER, CYLINDER HEAD	1	N		20081219	KMYSA8BLS9C000001	
		3	12313-SA1-0000	GASKET, CYLINDER HEAD COVER	1	Y		20081219	KMYSA8BLS9C000001	
		4	12330-SA2-RB00	COVER COMP., CYLINDER HEAD SIDE	1	N		20081219	KMYSA8BLS9C000001	
		5	12391-SA2-RB00	GASKET, CYLINDER HEAD SIDE COVER	1	Y		20081219	KMYSA8BLS9C000001	
		6	12392-SA2-RB00	ELEMENT A, SIDE COVER	1	Y		20081219	KMYSA8BLS9C000001	
		7	12393-SA2-RB00	ELEMENT B, SIDE COVER	1	Y		20081219	KMYSA8BLS9C000001	
		8	15650-SA1-0010	CAP ASS'Y, OIL FILLER	1	Y		20081219	KMYSA8BLS9C000001	
		9	9000A-SE5-7500	BOLT ASS'Y, SPECIAL 6x28	4	Y		20081219	KMYSA8BLS9C000001	
		10	S6001-06020-00	BOLT, FLANGE SH.6x20	4	Y		20081219	KMYSA8BLS9C000001	

E-03

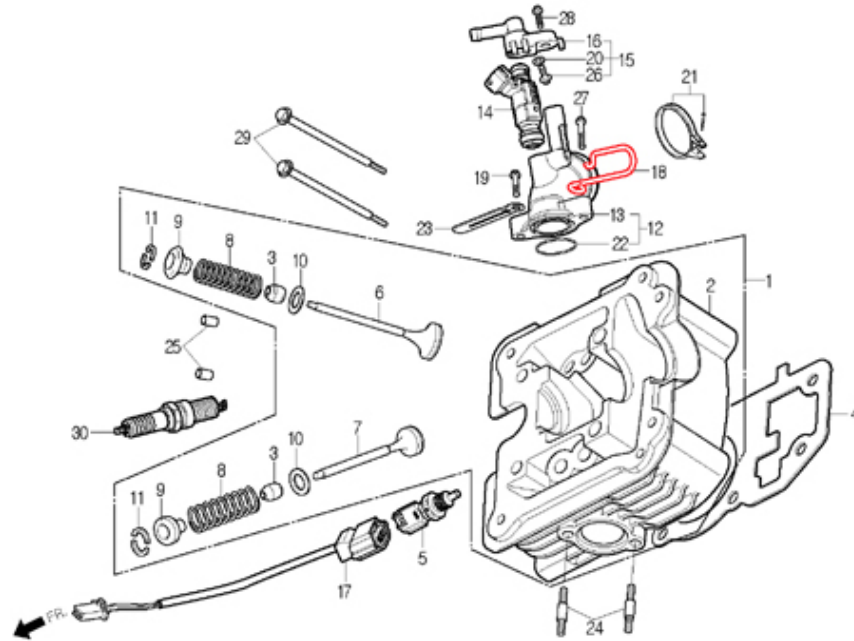
CYLINDER HEAD / VALVE



Service item	FRT	Ref. No.	Part No.	Description	QTY	A/S	Exch	Start Date	Start FRM.No	End FRM.No
HEAD COMP., CYLINDER	*3.8	1	1220A-SA4-R300	HEAD ASS'Y, CYLINDER	1	Y		20081219	KMYSA8BLS9C000001	
GASKET, CYLINDER HEAD	*3.3	2	12200-SA4-R300	HEAD COMP., CYLINDER	1	N		20081219	KMYSA8BLS9C000001	
BOLT, STUD 6x20	0.6	3	12209-BA6-0050	SEAL, VALVE STEM	4	Y		20081219	KMYSA8BLS9C000001	
(ADD 0.1 FOR EACH)	0.1	4	12251-SA1-0000	GASKET, CYLINDER HEAD	1	Y		20081219	KMYSA8BLS9C000001	
INSULATOR ASS'Y, CARBURETOR	*3.8	5	12410-BA1-R300-M1	SENSOR, ENGINE TEMP.	1	Y		20081219	KMYSA8BLS9C000001	
PLUG, SPARK C8EH-9	*3.8									
VALVE		6	14711-SA1-0000	VALVE, INLET	2	Y		20081219	KMYSA8BLS9C000001	
(ADD 0.2 FOR EACH)		7	14721-SA1-0000	VALVE, EXHAUST	2	Y		20081219	KMYSA8BLS9C000001	
SPRING, VALVE		8	14751-SA1-0100	SPRING, VALVE	4	Y		20081219	KMYSA8BLS9C000001	
(ADD 0.1 FOR EACH)		9	14771-BA6-9600	RETAINER, VALVE SPRING	4	Y		20081219	KMYSA8BLS9C000001	
		10	14775-SA1-0100	SEAT, VALVE SPRING	4	Y		20081219	KMYSA8BLS9C000001	
		11	14781-BA6-0000	COTTER, VALVE	8	Y		20081219	KMYSA8BLS9C000001	
		12	1621A-SA4-R300	INSULATOR ASS'Y, CARBURETOR	1	Y		20081219	KMYSA8BLS9C000001	
		13	16210-SA4-R300	INSULATOR COMP., CARBURETOR	1	N		20081219	KMYSA8BLS9C000001	
		14	16300-BA1-R300-M1	INJECTOR ASS'Y	1	Y		20081219	KMYSA8BLS9C000001	
		15	1650A-SA4-R300	CAP ASS'Y, INJECTOR	1	Y		20081219	KMYSA8BLS9C000001	
		16	16500-SA4-R300	CAP, INJECTOR	1	Y		20081219	KMYSA8BLS9C000001	
		17	32103-SA4-R300	SUB CORD, ETS	1	Y		20081219	KMYSA8BLS9C000001	
		18	51107-SA8-K300	GUIDE, FUEL HOSE	1	Y		20081219	KMYSA8BLS9C000001	
		19	90086-SE5-5000-EU	BOLT, CARB.INSULATOR 6x28	1	Y		20081219	KMYSA8BLS9C000001	
		20	90461-BA6-1000	WASHER, SEALING 12mm	1	Y		20081219	KMYSA8BLS9C000001	
		21	90652-BA6-6600	BAND 46, AIR CLEANER CONNECTING TUBE	1	Y		20081219	KMYSA8BLS9C000001	

E-03

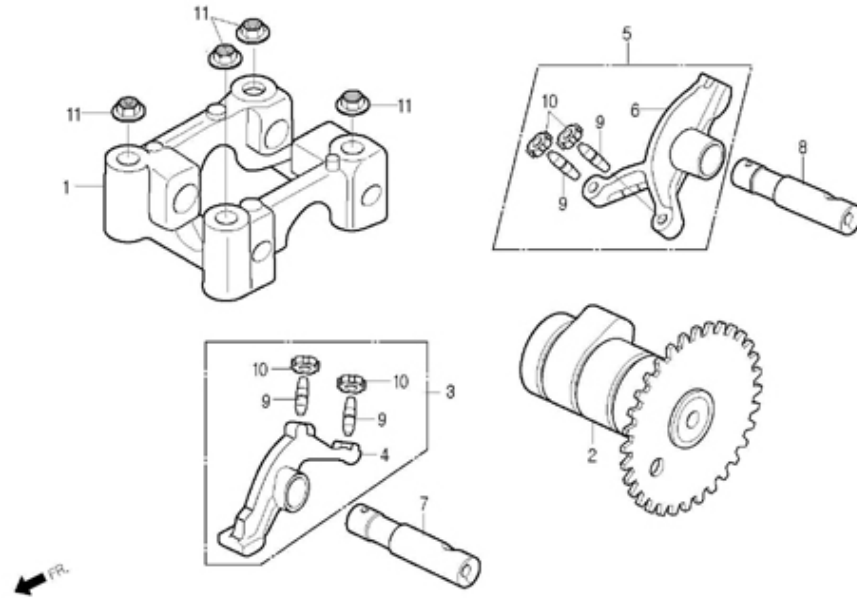
CYLINDER HEAD / VALVE



Service item	FRT	Ref. No.	Part No.	Description	QTY	A/S	Exch	Start Date	Start FRM.No	End FRM.No
		22	91303-SA1-0000	O-RING 29.5x3	1	Y		20081219	KMYSA8BLS9C000001	
		23	91410-BA6-0000	CLIP, 2x60	1	Y		20081219	KMYSA8BLS9C000001	
		24	S2900-06020-0B	BOLT, STUD 6x20	2	Y		20081219	KMYSA8BLS9C000001	
		25	S4301-10160	PIN, DOWEL 10x16	2	Y		20081219	KMYSA8BLS9C000001	
		26	S5701-06010-00	BOLT, FLANGE 6x10	1	Y		20081219	KMYSA8BLS9C000001	
		27	S5701-06032-00	BOLT, FLANGE 6x32	1	Y		20081219	KMYSA8BLS9C000001	
		28	S6001-06020-00	BOLT, FLANGE SH.6x20	1	Y		20081219	KMYSA8BLS9C000001	
		29	S6001-06145-00	BOLT, FLANGE SH.6x145	2	Y		20081219	KMYSA8BLS9C000001	
		30	S8059-58916-00	PLUG, SPARK CR8EH-9	1	Y		20081219	KMYSA8BLS9C000001	

E-04

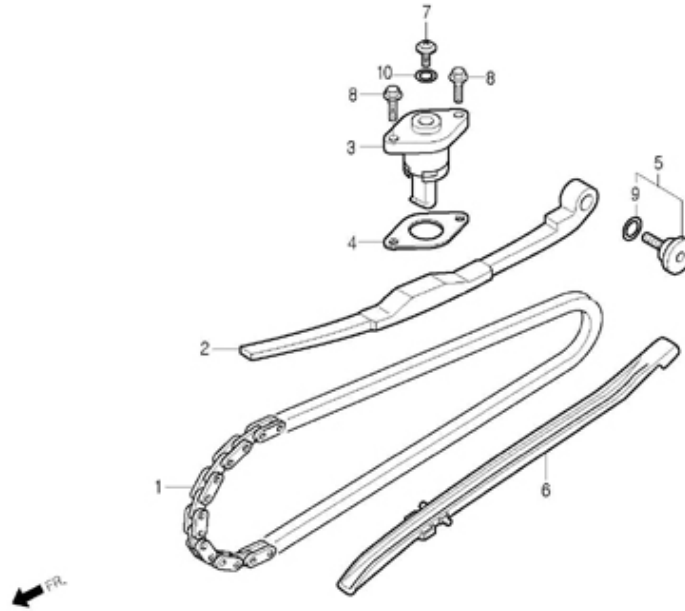
CAM SHAFT



Service item	FRT	Ref. No.	Part No.	Description	QTY	A/S	Exch	Start Date	Start FRM.No	End FRM.No
SHAFT COMP., CAM ARM, VALVE ROCKER (ADD 0.3 FOR EACH) HOLDER, CAM SHAFT	1.7	1	12211-SA1-0100	HOLDER, CAM SHAFT	1	Y		20081219	KMYSA8BLS9C000001	
	1.5	2	14100-SA1-0120	SHAFT COMP., CAM	1	Y		20081219	KMYSA8BLS9C000001	
		3	1443A-SA1-0100	ARM ASS'Y, INLET VALVE ROCKER	1	Y		20081219	KMYSA8BLS9C000001	
		4	14431-SA1-0100	ARM, INLET VALVE ROCKER	1	N		20081219	KMYSA8BLS9C000001	
		5	1444A-SA1-0100	ARM ASS'Y, EXHAUST VALVE ROCKER	1	Y		20081219	KMYSA8BLS9C000001	
		6	14441-SA1-0100	ARM, EXHAUST VALVE ROCKER	1	N		20081219	KMYSA8BLS9C000001	
		7	14451-SA1-0000	SHAFT, INLET ROCKER ARM	1	Y		20081219	KMYSA8BLS9C000001	
		8	14452-SA1-0000	SHAFT, EXHAUST ROCKER ARM	1	Y		20081219	KMYSA8BLS9C000001	
		9	90012-CB2-0000	SCREW, TAPPET ADJUSTING	4	Y		20081219	KMYSA8BLS9C000001	
		10	90206-CB2-0000	NUT, TAPPET ADJUSTING	4	Y		20081219	KMYSA8BLS9C000001	
			11	S4050-08080	NUT, FLANGE 8mm	4	Y		20081219	KMYSA8BLS9C000001

E-05

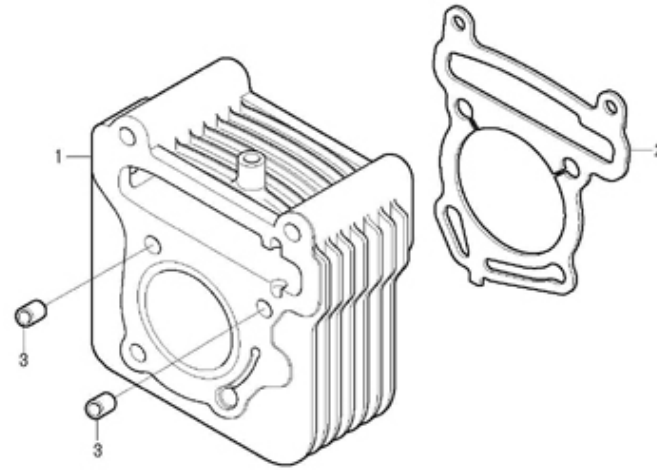
CAM CHAIN / TENSIONER



Service item	FRT	Ref. No.	Part No.	Description	QTY	A/S	Exch	Start Date	Start FRM.No	End FRM.No
CHAIN, CAM	*3.8	1	14401-SA0-0010-M1	CHAIN, CAM	1	Y		20081219	KMYSA8BLS9C000001	
TENSIONER, CAM CHAIN	1.2	2	14500-SA1-0000	TENSIONER, CAM CHAIN	1	Y		20081219	KMYSA8BLS9C000001	
LIFTER ASS'Y, TENSIONER	0.5	3	14520-BA1-0000	LIFTER ASS'Y, TENSIONER	1	Y		20081219	KMYSA8BLS9C000001	
GUIDE, CAM CHAIN	*3.1	4	14523-BA7-0000-EU	GASKET, TENSIONER LIFTER	1	Y		20081219	KMYSA8BLS9C000001	
		5	1453A-SA1-0000	PIVOT ASS'Y, CAM CHAIN TENSIONER	1	Y		20081219	KMYSA8BLS9C000001	
		6	14550-SA1-0000	GUIDE, CAM CHAIN	1	Y		20081219	KMYSA8BLS9C000001	
		7	90005-BA7-9000	SCREW, PAN 6x6	1	Y		20081219	KMYSA8BLS9C000001	
		8	90091-BA7-0000	BOLT, FLANGE 6x16	2	Y		20081219	KMYSA8BLS9C000001	
		9	91302-SA0-0000	O-RING 15.2x1.5	1	N		20081219	KMYSA8BLS9C000001	
		10	91306-BA6-6900	O-RING 1.5x9.5	1	Y		20081219	KMYSA8BLS9C000001	

E-06

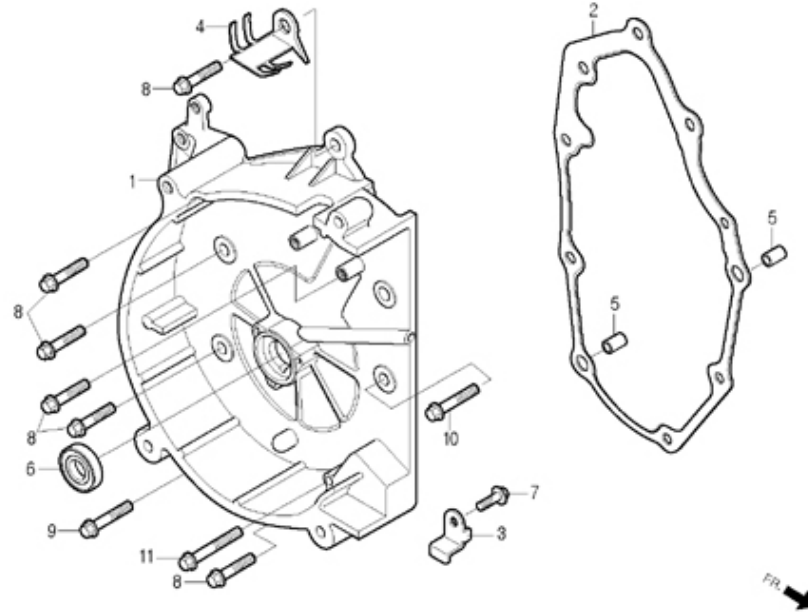
CYLINDER



Service item	FRT	Ref. No.	Part No.	Description	QTY	A/S	Exch	Start Date	Start FRM.No	End FRM.No
CYLINDER COMP.	*3.3	1	12100-SA1-0010	CYLINDER COMP.	1	Y		20081219	KMYSA8BLS9C000001	
GASKET, CYLINDER	*3.3	2	12191-SA1-0000-EU	GASKET, CYLINDER	1	Y		20081219	KMYSA8BLS9C000001	
		3	S4301-10160	PIN, DOWEL 10x16	2	Y		20081219	KMYSA8BLS9C000001	

E-07

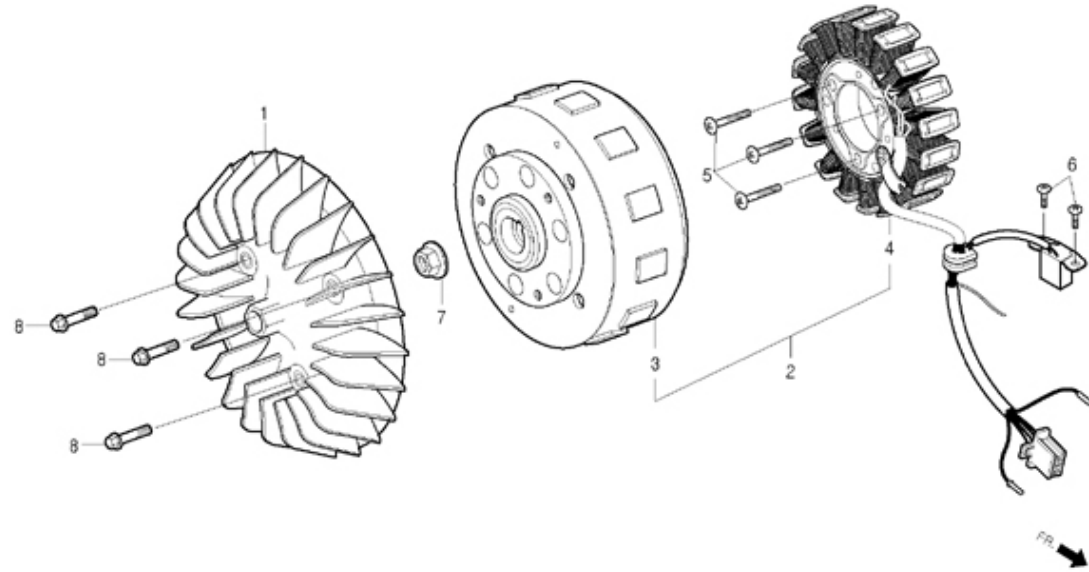
RIGHT CRANK CASE COVER



Service item	FRT	Ref. No.	Part No.	Description	QTY	A/S	Exch	Start Date	Start FRM.No	End FRM.No
COVER COMP., RH.CRANK CASE GASKET, RH.COVER	0.9	1	11330-SA2-RZ00	COVER COMP., RH.CRANK CASE	1	Y		20081219	KMYSA8BLS9C000001	
		2	11394-SA1-0000-EU	GASKET, RH.COVER	1	Y		20081219	KMYSA8BLS9C000001	
		3	28117-SA1-0000	PLATE, START DRIVEN GEAR SETTING	1	Y		20081219	KMYSA8BLS9C000001	
		4	32964-SC1-0200	CLAMP, CORD	1	Y		20081219	KMYSA8BLS9C000001	
		5	90701-CB2-0000	PIN, SPECIAL DOWEL 8x14	2	Y		20081219	KMYSA8BLS9C000001	
		6	91201-SA1-0010	SEAL, OIL 20x30x6	1	Y		20081219	KMYSA8BLS9C000001	
		7	S6001-06012-00	BOLT, FLANGE SH.6x12	1	Y		20081219	KMYSA8BLS9C000001	
		8	S6001-06022-00	BOLT, FLANGE SH.6x22	6	Y		20081219	KMYSA8BLS9C000001	
		9	S6001-06032-00	BOLT, FLANGE SH.6x32	1	Y		20081219	KMYSA8BLS9C000001	
		10	S6001-06035-00	BOLT, FLANGE SH.6x35	1	Y		20081219	KMYSA8BLS9C000001	
		11	S6001-06045-00	BOLT, FLANGE SH.6x45	1	Y		20081219	KMYSA8BLS9C000001	

E-08

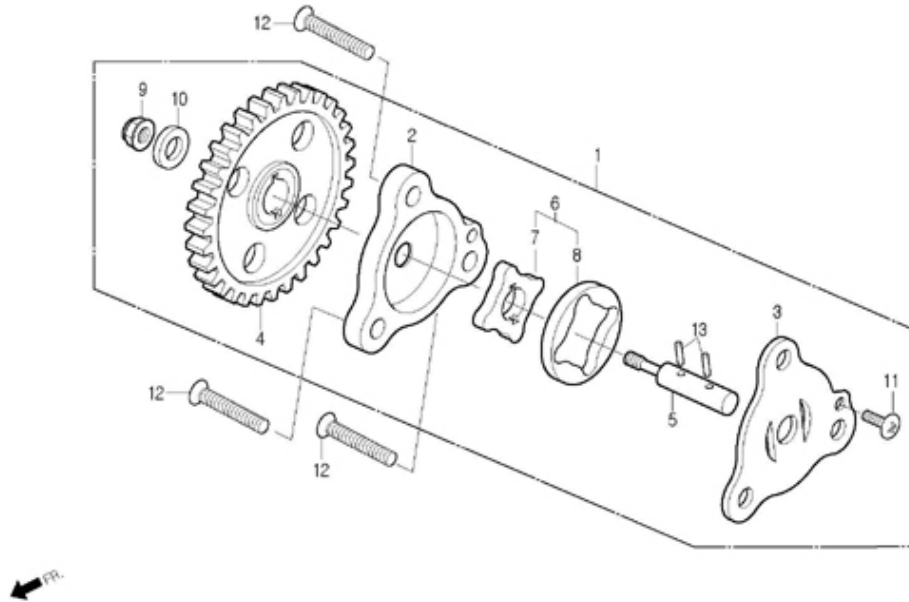
GENERATOR



Service item	FRT	Ref. No.	Part No.	Description	QTY	A/S	Exch	Start Date	Start FRM.No	End FRM.No
FAN COMP., COOLING	0.1	1	19510-SA1-0000	FAN COMP., COOLING	1	Y		20081219	KMYSA8BLS9C000001	
AC.GENERATOR ASS'Y	0.5	2	31100-SA4-R300	AC.GENERATOR ASS'Y	1	Y		20081219	KMYSA8BLS9C000001	
STATOR COMP.	0.6	3	31110-SA4-R300	FLYWHEEL COMP.	1	N		20081219	KMYSA8BLS9C000001	
FLYWHEEL COMP.	0.5	4	31120-SA4-R300	STATOR COMP.	1	Y		20081219	KMYSA8BLS9C000001	
		5	S3500-SA1-0000-W1	SCREW, SPECIAL PAN 5x32(Coating)	3	Y		20081219	KMYSA8BLS9C000001	
		6	S3500-05012-0H	SCREW, PAN 5x12(Y)	2	Y		20081219	KMYSA8BLS9C000001	
		7	S4050-12080	NUT, FLANGE 12mm	1	Y		20081219	KMYSA8BLS9C000001	
		8	S6001-06012-00	BOLT, FLANGE SH.6x12	3	Y		20081219	KMYSA8BLS9C000001	

E-09

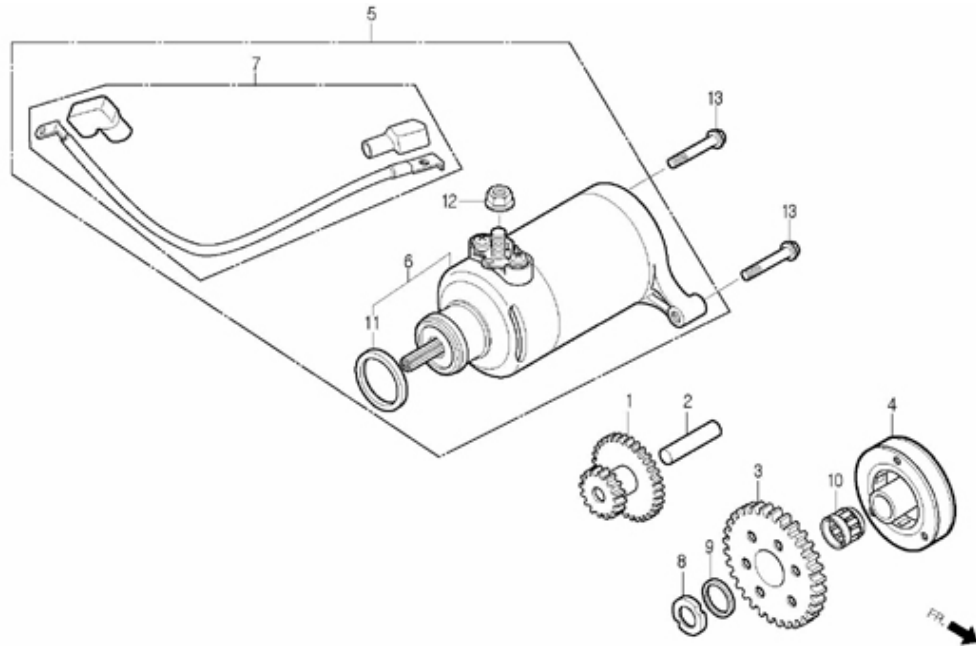
OIL PUMP



Service item	FRT	Ref. No.	Part No.	Description	QTY	A/S	Exch	Start Date	Start FRM.No	End FRM.No
BODY, OIL PUMP (INCLUDE RELATIVE PARTS)	0.9	1	15100-SA1-0110	PUMP ASS'Y, OIL	1	Y		20081219	KMYSA8BLS9C000001	
		2	15111-SA1-0000	BODY, OIL PUMP	1	N		20081219	KMYSA8BLS9C000001	
		3	15113-SA1-0000	PLATE, OIL PUMP	1	N		20081219	KMYSA8BLS9C000001	
		4	15131-SA1-0210	GEAR, OIL PUMP DRIVEN	1	Y		20081219	KMYSA8BLS9C000001	
		5	15136-SA1-0000	SHAFT, OIL PUMP	1	Y		20081219	KMYSA8BLS9C000001	
		6	1533A-SA1-0000	ROTOR ASS'Y, OIL PUMP	1	Y		20081219	KMYSA8BLS9C000001	
		7	15331-SA1-0000	ROTOR, OIL PUMP INNER	1	N		20081219	KMYSA8BLS9C000001	
		8	15332-SA1-0000	ROTOR, OIL PUMP OUTER	1	N		20081219	KMYSA8BLS9C000001	
		9	90301-BA6-0030	NUT, U 6mm	1	N		20081219	KMYSA8BLS9C000001	
		10	90417-CB2-0000	WASHER, SHIFT DRUM SIDE	1	N		20081219	KMYSA8BLS9C000001	
		11	S3500-04010-0A	SCREW, PAN 4x10	1	N		20081219	KMYSA8BLS9C000001	
		12	S3600-06032-1A	SCREW, FLAT 6x32	3	Y		20081219	KMYSA8BLS9C000001	
		13	S6220-25118	ROLLER 2.5x11.8	2	Y		20081219	KMYSA8BLS9C000001	

E-10

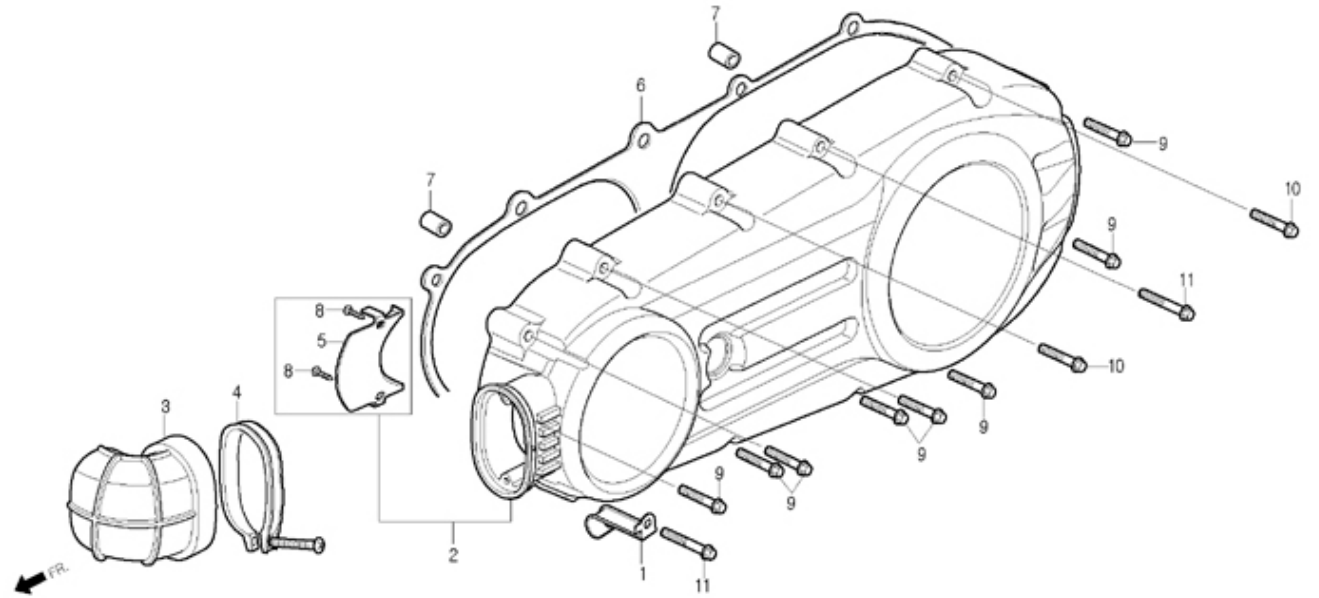
STARTER MOTOR



Service item	FRT	Ref. No.	Part No.	Description	QTY	A/S	Exch	Start Date	Start FRM.No	End FRM.No
GEAR COMP., STARTER DRIVEN	0.9	1	28101-SA2-0000	GEAR, STARTER REDUCTION	1	Y		20081219	KMYSA8BLS9C000001	
-GEAR, STARTER REDUCTION	0.4	2	28102-SA1-0000	SHAFT, REDUCTION GEAR	1	Y		20081219	KMYSA8BLS9C000001	
MOTOR UNIT, STARTER	0.5	3	28110-SA2-0000	GEAR COMP., STARTER DRIVEN	1	Y		20081219	KMYSA8BLS9C000001	
CABLE, START MOTOR	1.1	4	2812A-SA1-0030	ONEWAY CLUTCH SET, STARTER(I.S)	1	Y		20081219	KMYSA8BLS9C000001	
ONEWAY CLUTCH SET, STARTER (INCLUDE RELATIVE PARTS)		5	31200-SA8-0000	MOTOR ASS'Y, START	1	Y		20081219	KMYSA8BLS9C000001	
		6	31210-SA2-0000	MOTOR UNIT, STARTER	1	Y		20081219	KMYSA8BLS9C000001	
		7	32410-SA8-0000	CABLE, START MOTOR	1	Y		20081219	KMYSA8BLS9C000001	
		8	90201-SA0-0000	NUT, LOCK 22mm	1	Y		20081219	KMYSA8BLS9C000001	
		9	90403-SA0-0100	WASHER, THRUST 22.0x31x2	1	Y		20081219	KMYSA8BLS9C000001	
		10	91104-SA0-0000-M1	BEARING, NEEDLE K28x32x17SV1	1	Y		20081219	KMYSA8BLS9C000001	
		11	91309-BA6-0030	O-RING 24.4x3.1	1	N		20081219	KMYSA8BLS9C000001	
		12	S4002-06080-0S	NUT, HEX 6mm	1	Y		20081219	KMYSA8BLS9C000001	
		13	S6001-06055-00	BOLT, FLANGE SH.6x55	2	Y		20081219	KMYSA8BLS9C000001	

E-11

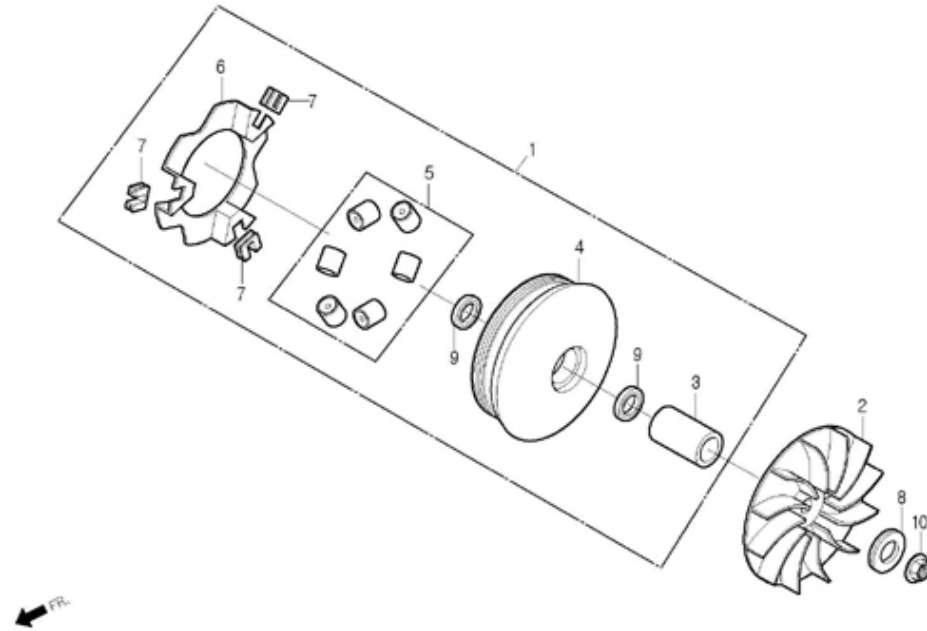
LEFT CRANK CASE COVER



Service item	FRT	Ref. No.	Part No.	Description	QTY	A/S	Exch	Start Date	Start FRM.No	End FRM.No
COVER ASS'Y, LH.CRANK CASE	0.3	1	11332-BA7-9000	CLAMPER, BREATHER TUBE	1	Y		20081219	KMYSA8BLS9C000001	
GASKET, LH.COVER	0.4	2	11340-SA8-0010	COVER ASS'Y, LH.CRANK CASE	1	Y		20081219	KMYSA8BLS9C000001	
		3	11345-SA8-0010	DUCT, LH.CRANK CASE COVER	1	Y		20081219	KMYSA8BLS9C000001	
		4	11346-SZ1-0000	BAND, LH.SIDE COVER	1	Y		20081219	KMYSA8BLS9C000001	
		5	11347-SA7-0000	GUIDE, CVT.COOLING	1	Y		20081219	KMYSA8BLS9C000001	
		6	11396-SA1-0100-EU	GASKET, LH.COVER	1	Y		20081219	KMYSA8BLS9C000001	
		7	90701-CB2-0000	PIN, SPECIAL DOWEL 8x14	2	Y		20081219	KMYSA8BLS9C000001	
		8	S3903-34320	SCREW, TAPPING 4x12	2	Y		20081219	KMYSA8BLS9C000001	
		9	S6001-06040-00	BOLT, FLANGE SH.6x40	8	Y		20081219	KMYSA8BLS9C000001	
		10	S6001-06045-00	BOLT, FLANGE SH.6x45	2	Y		20081219	KMYSA8BLS9C000001	
		11	S6001-06050-00	BOLT, FLANGE SH.6x50	2	Y		20081219	KMYSA8BLS9C000001	

E-12

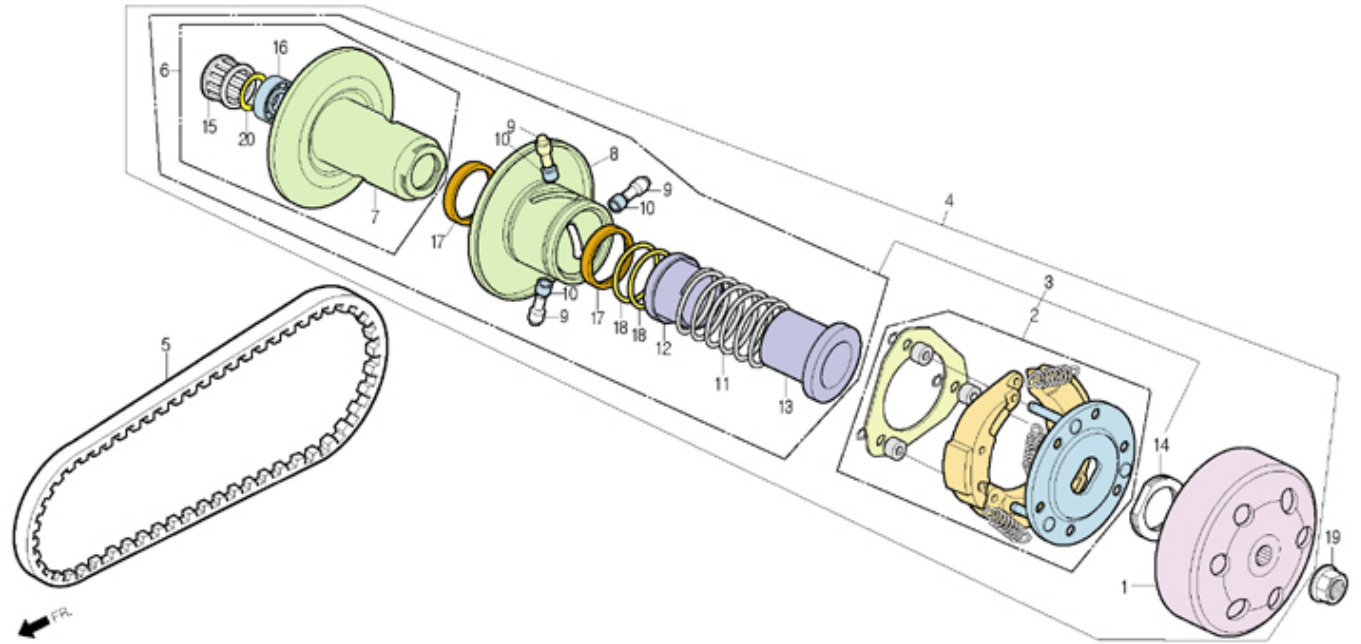
DRIVE FACE



Service item	FRT	Ref. No.	Part No.	Description	QTY	A/S	Exch	Start Date	Start FRM.No	End FRM.No
FACE, DRIVE	0.5	1	2210A-SA4-0000	FACE ASS'Y, MOVABLE DRIVE	1	Y		20081219	KMYSA8BLS9C000001	
FACE COMP., MOVABLE DRIVE	0.6	2	22102-SA1-0010	FACE, DRIVE	1	Y		20081219	KMYSA8BLS9C000001	
ROLLER COMP., WEIGHT	0.6	3	22105-SA4-0000	BOSS, DRIVE FACE	1	N		20081219	KMYSA8BLS9C000001	
(ONE OR ALL)		4	22110-SA1-0200	FACE COMP., MOVABLE DRIVE	1	N		20081219	KMYSA8BLS9C000001	
(INCLUDE RELATIVE PARTS)		5	22121-SA1-0100-EU	ROLLER COMP., WEIGHT 12g	6	Y		20081219	KMYSA8BLS9C000001	
		6	22131-SA1-0200	PLATE, RAMP	1	Y		20081219	KMYSA8BLS9C000001	
		7	22132-SA1-0200	PIECE, SLIDE	3	Y		20081219	KMYSA8BLS9C000001	
		8	42312-BA7-0000	COLLAR, RR.AXLE	1	Y		20081219	KMYSA8BLS9C000001	
		9	91212-SA1-0000	SEAL, OIL 24x31x3	2	Y		20081219	KMYSA8BLS9C000001	
		10	S4050-12080	NUT, FLANGE 12mm	1	Y		20081219	KMYSA8BLS9C000001	

E-13

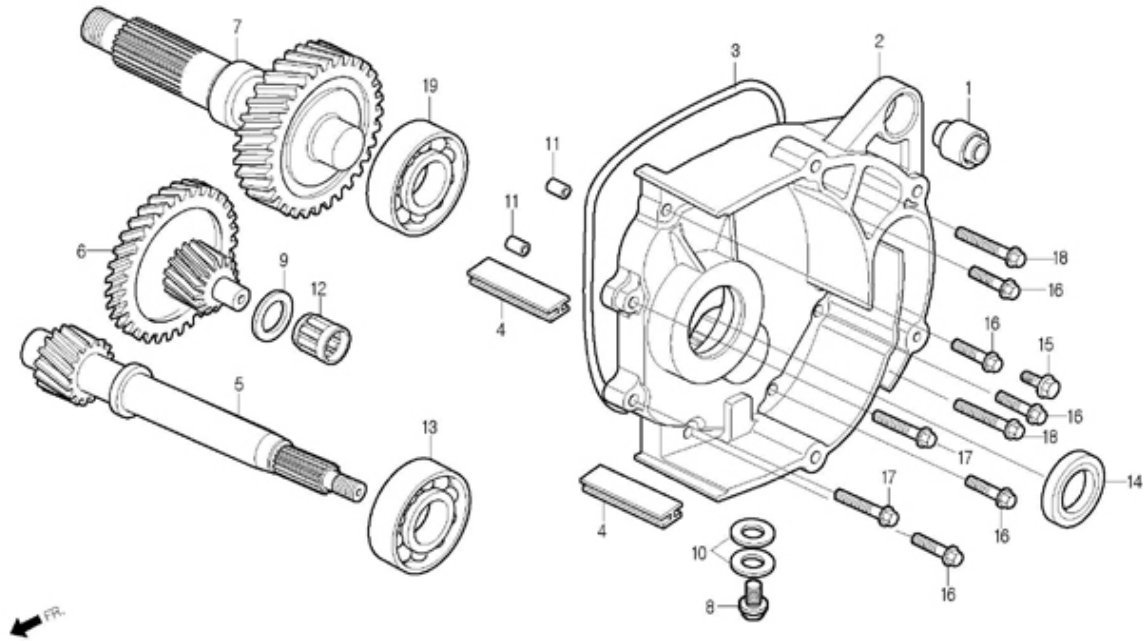
DRIVEN FACE



Service item	FRT	Ref. No.	Part No.	Description	QTY	A/S	Exch	Start Date	Start FRM.No	End FRM.No
OUTER, CLUTCH	0.5	1	22100-SA2-0000-M1	OUTER, CLUTCH(D.C)	1	Y		20081219	KMYSA8BLS9C000001	
WEIGHT, CLUTCH	0.8	2	22300-SA2-0000-M1	PLATE ASS'Y, DRIVE(D.C)	1	Y		20081219	KMYSA8BLS9C000001	
(INCLUDE RELATIVE PARTS)	0.6	3	2301A-SA2-0000-M1	SUB ASS'Y, DRIVEN PULLEY(D.C)	1	N		20081219	KMYSA8BLS9C000001	
-FACE COMP., MOVABLE DRIVEN	0.8	4	23010-SA2-0000-M1	PULLEY ASS'Y, DRIVEN(D.C)	1	Y		20081219	KMYSA8BLS9C000001	
(INCLUDE RELATIVE PARTS)	0.5	5	23100-SA1-0000	BELT, DRIVE	1	Y		20081219	KMYSA8BLS9C000001	
BELT, DRIVE										
FACE ASS'Y, DRIVEN		6	23200-SA2-0010	FACE ASS'Y, DRIVEN	1	Y		20081219	KMYSA8BLS9C000001	
-BEARING, RADIAL BALL 6902U		7	23210-SA2-0010	FACE COMP., DRIVEN	1	N		20081219	KMYSA8BLS9C000001	
-BEARING, NEEDLE		8	23220-SA2-0010	FACE COMP., MOVABLE DRIVEN	1	N		20081219	KMYSA8BLS9C000001	
PULLEY SUB ASS'Y, DRIVEN		9	23225-SA2-0000	PIN, ROLLER GUIDE	3	N		20081219	KMYSA8BLS9C000001	
		10	23226-SC1-0000	ROLLER, GUIDE	3	Y		20081219	KMYSA8BLS9C000001	
		11	23233-SA2-0000	SPRING, DRIVEN FACE	1	Y		20081219	KMYSA8BLS9C000001	
		12	23237-SA0-0000	COLLAR, SEAL	1	N		20081219	KMYSA8BLS9C000001	
		13	23238-SE5-0100	COLLAR, SPRING	1	N		20081219	KMYSA8BLS9C000001	
		14	90202-SE5-0000	NUT, SPECIAL 28mm	1	Y		20081219	KMYSA8BLS9C000001	
		15	91001-SA1-0000	BEARING, NEEDLE	1	N		20081219	KMYSA8BLS9C000001	
		16	91004-SA0-0020-M1	BEARING, RADIAL BALL 6902U	1	Y		20081219	KMYSA8BLS9C000001	
		17	91211-SE5-0130	SEAL, OIL 34x39x3	2	Y		20081219	KMYSA8BLS9C000001	
		18	91351-SE5-1000	O-RING 38.5x2	2	Y		20081219	KMYSA8BLS9C000001	
		19	S4050-12080	NUT, FLANGE 12mm	1	Y		20081219	KMYSA8BLS9C000001	
		20	S4520-28000	CIR CLIP, INTERNAL 28mm	1	N		20081219	KMYSA8BLS9C000001	

E-14

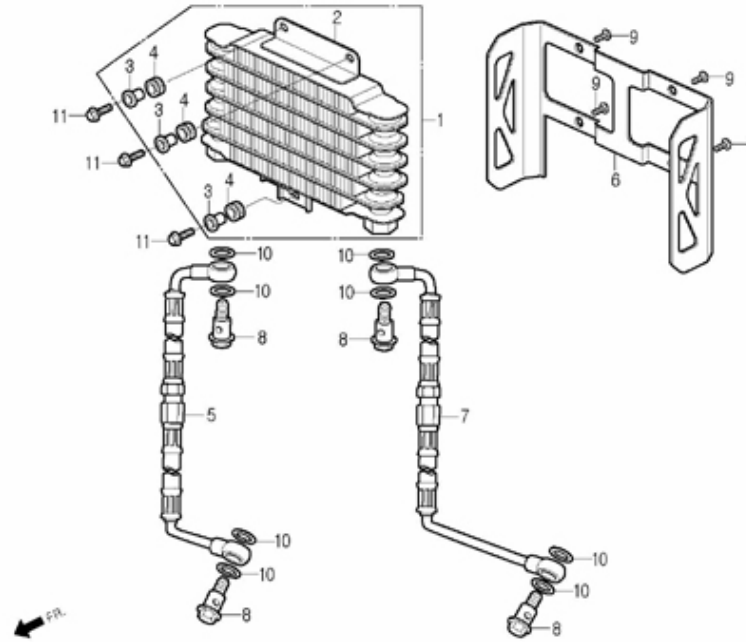
TRANSMISSION



Service item	FRT	Ref. No.	Part No.	Description	QTY	A/S	Exch	Start Date	Start FRM.No	End FRM.No
COVER, TRANSMISSION	0.8	1	11204-SA1-0000	BUSH, RR.CUSHION UNDER RUBBER	1	Y		20081219	KMYSA8BLS9C000001	
SEAL, MISSION COVER	0.8	2	21301-SA1-0100	COVER, TRANSMISSION	1	Y		20081219	KMYSA8BLS9C000001	
SEAL, OIL 22x39x7	0.9	3	21395-SA1-0000	SEAL, MISSION COVER	1	Y		20081219	KMYSA8BLS9C000001	
SHAFT, DRIVE	0.9	4	21396-SA1-0000	GUIDE RUBBER, MISSION COVER	2	Y		20081219	KMYSA8BLS9C000001	
SHAFT COMP., COUNTER		5	23411-SA1-0020-EU	SHAFT, DRIVE(14T)	1	Y		20081219	KMYSA8BLS9C000001	
BEARING, BALL 6302		6	23420-SA1-0100-EU	SHAFT COMP., COUNTER(14T)	1	Y		20081219	KMYSA8BLS9C000001	
BEARING, RADIAL BALL 63/22		7	23430-SA2-0010	SHAFT COMP., FINAL	1	Y		20081219	KMYSA8BLS9C000001	
SHAFT COMP., FINAL		8	90103-SA0-0000	BOLT, SPECIAL 8mm	1	Y		20081219	KMYSA8BLS9C000001	
		9	90451-BA6-0000	WASHER, THRUST 15mm	1	Y		20081219	KMYSA8BLS9C000001	
		10	90474-SA0-0000	WASHER, DRAIN PLUG 8.2x16.2	2	Y		20081219	KMYSA8BLS9C000001	
		11	90701-CB2-0000	PIN, SPECIAL DOWEL 8x14	2	Y		20081219	KMYSA8BLS9C000001	
		12	91002-SA1-0000	BEARING, NEEDLE 15x25x12	1	Y		20081219	KMYSA8BLS9C000001	
		13	91003-SA1-0100	BEARING, RADIAL BALL 63/22 TMB	1	Y		20081219	KMYSA8BLS9C000001	
		14	91203-SA1-0000	SEAL, OIL 22x39x7	1	Y		20081219	KMYSA8BLS9C000001	
		15	S5701-08016-08	BOLT, FLANGE 8x16	1	Y		20081219	KMYSA8BLS9C000001	
		16	S6001-06028-00	BOLT, FLANGE SH.6x28	5	Y		20081219	KMYSA8BLS9C000001	
		17	S6001-06035-00	BOLT, FLANGE SH.6x35	2	Y		20081219	KMYSA8BLS9C000001	
		18	S6001-06045-00	BOLT, FLANGE SH.6x45	2	Y		20081219	KMYSA8BLS9C000001	
		19	S6100-63020-00	BEARING, BALL 6302	1	Y		20081219	KMYSA8BLS9C000001	

E-15

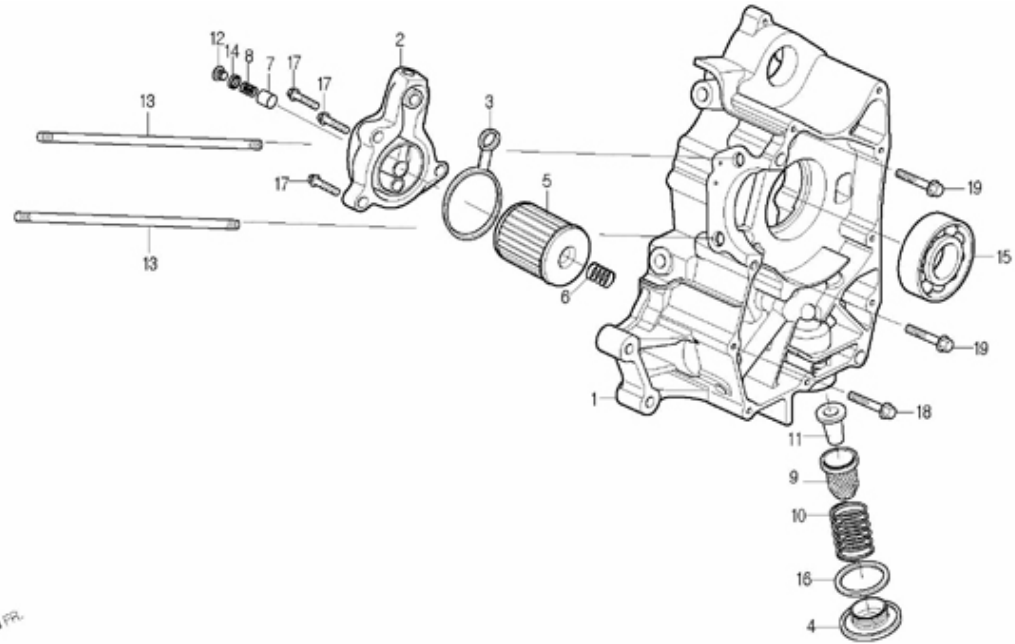
RADIATOR / RADIATOR HOSE



Service item	FRT	Ref. No.	Part No.	Description	QTY	A/S	Exch	Start Date	Start FRM.No	End FRM.No
RADIATOR ASS'Y, OIL	0.6	1	1901A-SA8-0000	RADIATOR ASS'Y, OIL	1	Y		20081219	KMYSA8BLS9C000001	
HOSE ASS'Y, RADIATER RH.	0.8	2	19010-SA8-0000	RADIATOR COMP., OIL	1	N		20081219	KMYSA8BLS9C000001	
HOSE ASS'Y, RADIATER LH.	0.8	3	19011-SA1-0000	COLLAR, RADIATOR	3	Y		20081219	KMYSA8BLS9C000001	
		4	19012-SA1-0100	RUBBER, RADIATOR	3	Y		20081219	KMYSA8BLS9C000001	
		5	19100-SA2-0000-M2	HOSE ASS'Y, RADIATOR RH.(LG)	1	Y		20081219	KMYSA8BLS9C000001	
		6	19131-SA8-0000	COVER COMP., RADIATOR	1	Y		20081219	KMYSA8BLS9C000001	
		7	19200-SA4-0000-M2	HOSE ASS'Y, RADIATOR LH.(LG)	1	Y		20081219	KMYSA8BLS9C000001	
		8	90145-SA1-0000	BOLT, OIL THROUGH 12mm	4	Y		20081219	KMYSA8BLS9C000001	
		9	90190-SC1-0000	SCREW, SPECIAL 6x10	4	Y		20081219	KMYSA8BLS9C000001	
		10	90407-BA6-0000	PACKING, DRAIN COCK 12.5x20	8	Y		20081219	KMYSA8BLS9C000001	
		11	S5701-06018-08	BOLT, FLANGE 6x18	3	Y		20081219	KMYSA8BLS9C000001	

E-16

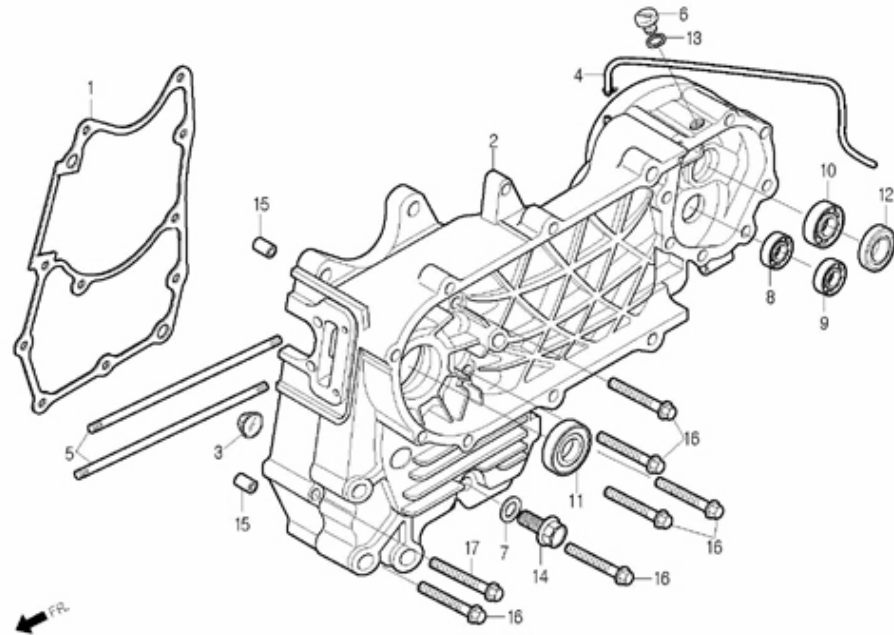
RIGHT CRANK CASE



Service item	FRT	Ref. No.	Part No.	Description	QTY	A/S	Exch	Start Date	Start FRM.No	End FRM.No
CASE COMP., RH.CRANK	*3.0	1	11100-SA2-0010	CASE COMP., RH.CRANK	1	Y		20081219	KMYSA8BLS9C000001	
COVER COMP., OIL FILTER	0.4	2	11333-SA1-0100	COVER COMP., OIL FILTER	1	Y		20081219	KMYSA8BLS9C000001	
SEAL, OIL FILTER	0.2	3	11335-SA1-0000	SEAL, OIL FILTER	1	Y		20081219	KMYSA8BLS9C000001	
SEAL, OIL FILTER		4	12361-SA0-0000	CAP, TAPPET ADJUSTING HOLE	1	Y		20081219	KMYSA8BLS9C000001	
SCREEN, OIL FILTER		5	15412-SA1-0000	ELEMENT, OIL FILTER	1	Y		20081219	KMYSA8BLS9C000001	
(INCLUDE RELATIVE PARTS)		6	15414-BA6-9600	SPRING, OIL FILTER	1	Y		20081219	KMYSA8BLS9C000001	
		7	15415-SA1-0000	VALVE, RELIEF	1	Y		20081219	KMYSA8BLS9C000001	
		8	15416-SA1-0000	SPRING, RELIEF VALVE	1	Y		20081219	KMYSA8BLS9C000001	
		9	15421-BA6-0000	SCREEN, OIL FILTER	1	Y		20081219	KMYSA8BLS9C000001	
		10	15426-SA1-0000	SPRING, OIL FILTER SCREEN	1	Y		20081219	KMYSA8BLS9C000001	
		11	15652-SA1-0000	COLLAR, OIL PICK UP	1	Y		20081219	KMYSA8BLS9C000001	
		12	90009-SA1-0000	BOLT, SOCKET 12mm	1	Y		20081219	KMYSA8BLS9C000001	
		13	90031-SA1-0100	BOLT, CYLINDER STUD	2	Y		20081219	KMYSA8BLS9C000001	
		14	90443-SA1-0000	WASHER, SELING 12mm	1	Y		20081219	KMYSA8BLS9C000001	
		15	91004-X10-0010	BEARING, RADIAL BALL 6305	1	Y		20081219	KMYSA8BLS9C000001	
		16	91302-CB2-0200	O-RING 30.8mm	1	Y		20081219	KMYSA8BLS9C000001	
		17	S6001-06022-00	BOLT, FLANGE SH.6x22	3	Y		20081219	KMYSA8BLS9C000001	
		18	S6001-06040-00	BOLT, FLANGE SH.6x40	1	Y		20081219	KMYSA8BLS9C000001	
		19	S6001-06065-00	BOLT, FLANGE SH.6x65	2	Y		20081219	KMYSA8BLS9C000001	

E-17

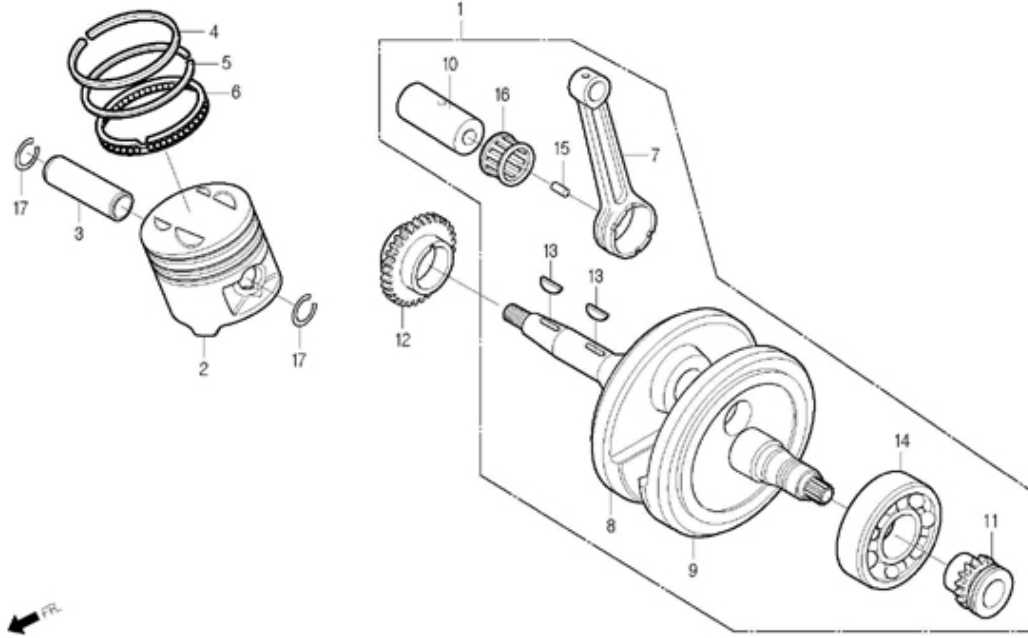
LEFT CRANK CASE



Service item	FRT	Ref. No.	Part No.	Description	QTY	A/S	Exch	Start Date	Start FRM.No	End FRM.No
CASE COMP., LH.CRANK	*3.8	1	11191-SA1-0000-EU	GASKET, CRANK CASE	1	Y		20081219	KMYSA8BLS9C000001	
BEARING, RADIAL BALL 6004UU	*3.8	2	11200-SA2-0010	CASE COMP., LH.CRANK	1	Y		20081219	KMYSA8BLS9C000001	
-SEAL, OIL 25x42x7	*3.8	3	11210-SA1-0000	GLASS COMP., OIL SIGHT	1	Y		20081219	KMYSA8BLS9C000001	
-SEAL, OIL 30x42x7	*3.8	4	1122A-SA4-0000	TUBE ASS'Y, BREATHER	1	Y		20081219	KMYSA8BLS9C000001	
BEARING, RADIAL BALL 6301 TMB		5	90031-SA1-0100	BOLT, CYLINDER STUD	2	Y		20081219	KMYSA8BLS9C000001	
BEARING, RADIAL BALL 6203 TMB		6	90084-CB2-8300	CAP, AC.GENERATOR	1	Y		20081219	KMYSA8BLS9C000001	
		7	90407-BA6-0000	PACKING, DRAIN COCK 12.5x20	1	Y		20081219	KMYSA8BLS9C000001	
		8	91003-SA0-0000	BEARING, RADIAL BALL 6301 TMB	1	Y		20081219	KMYSA8BLS9C000001	
		9	91004-SC1-7010-M1	BEARING, RADIAL BALL 6203 TMB	1	Y		20081219	KMYSA8BLS9C000001	
		10	91009-SC1-0030	BEARING, RADIAL BALL 6004UU	1	Y		20081219	KMYSA8BLS9C000001	
		11	91202-SA1-0100	SEAL, OIL 25x42x7	1	Y		20081219	KMYSA8BLS9C000001	
		12	91204-SA1-0000	SEAL, OIL 30x42x7	1	Y		20081219	KMYSA8BLS9C000001	
		13	91303-CB2-1000	O-RING 13.8x2.5	1	Y		20081219	KMYSA8BLS9C000001	
		14	S2800-12000	BOLT, DRAIN PLUG 12mm	1	Y		20081219	KMYSA8BLS9C000001	
		15	S4301-10160	PIN, DOWEL 10x16	2	Y		20081219	KMYSA8BLS9C000001	
		16	S6001-06065-00	BOLT, FLANGE SH.6x65	6	Y		20081219	KMYSA8BLS9C000001	
		17	S6001-06070-00	BOLT, FLANGE SH.6x70	1	Y		20081219	KMYSA8BLS9C000001	

E-18

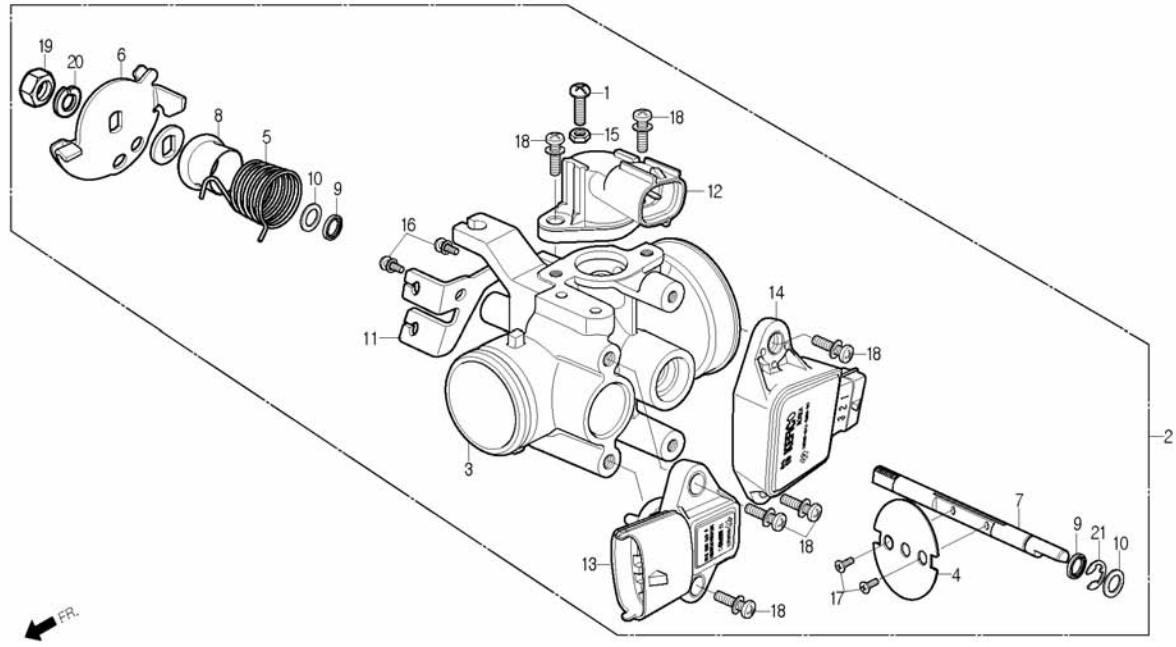
CRANK SHAFT / PISTON



Service item	FRT	Ref. No.	Part No.	Description	QTY	A/S	Exch	Start Date	Start FRM.No	End FRM.No
SHAFT COMP., CRANK	*3.3	1	13000-SA4-0010	SHAFT COMP., CRANK	1	Y		20081219	KMYSA8BLS9C000001	
SHAFT, CRANK	*3.5	2	13101-SA1-0100	PISTON	1	Y		20081219	KMYSA8BLS9C000001	
RING SET, PISTON	*3.8	3	13111-BA6-9300	PIN, PISTON	1	Y		20081219	KMYSA8BLS9C000001	
PISTON		4	13121-SA1-0000	RING, PISTON TOP	1	Y		20081219	KMYSA8BLS9C000001	
PIN, PISTON		5	13131-SA1-0000	RING, PISTON 2ND	1	Y		20081219	KMYSA8BLS9C000001	
ROD, CONNECTING		6	13141-SA1-0000	RING, PISTON OIL	1	Y		20081219	KMYSA8BLS9C000001	
(INCLUDE RELATIVE PARTS)		7	13201-SA1-0100-H1	ROD, CONNECTING	1	N		20081219	KMYSA8BLS9C000001	
BEARING, RADIAL BALL 6305		8	13310-SA1-0100-H1	SHAFT COMP., RH.CRANK	1	N		20081219	KMYSA8BLS9C000001	
		9	13321-SA1-0200-H1	SHAFT, LH.CRANK	1	N		20081219	KMYSA8BLS9C000001	
		10	13381-SA1-0100-H1	PIN, CRANK	1	N		20081219	KMYSA8BLS9C000001	
		11	14311-SA4-0000-H1	SPROCKET,TIMMING	1	Y		20081219	KMYSA8BLS9C000001	
		12	15133-SA1-0100-M1	GEAR, OIL PUMP DRIVE	1	Y		20081219	KMYSA8BLS9C000001	
		13	90741-BA6-9600	KEY, WOODRUFF 25x14x4	2	Y		20081219	KMYSA8BLS9C000001	
		14	91001-SA2-0000	BEARING, RADIAL BALL 6305	1	Y		20081219	KMYSA8BLS9C000001	
		15	91102-BA6-0030	ROLLER 4x14.8A	18	N		20081219	KMYSA8BLS9C000001	
		16	91105-BA6-0030	RETAINER, CONNECTING ROD LARGE END	1	N		20081219	KMYSA8BLS9C000001	
		17	S4601-15000	CLIP, PISTON PIN 15mm	2	Y		20081219	KMYSA8BLS9C000001	

E-19

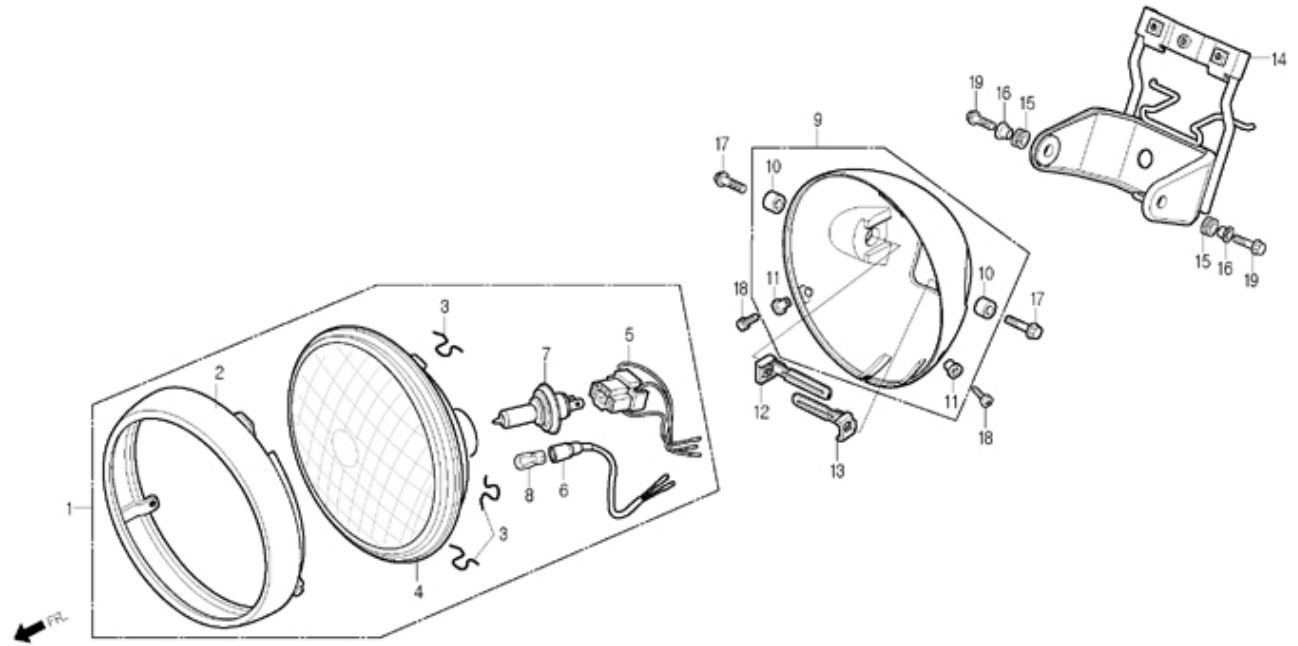
THROTTLE BODY



Service item	FRT	Ref. No.	Part No.	Description	QTY	A/S	Exch	Start Date	Start FRM.No	End FRM.No
		1	16037-BA1-R300	SCREW, ADJUST	1	N		20081219	KMYSA8BLS9C000001	
		2	1620A-SA7-R300	BODY ASSY, THROTTLE	1	Y		20081219	KMYSA8BLS9C000001	
		3	16200-SA7-R300	BODY COMP., THROTTLE	1	N		20081219	KMYSA8BLS9C000001	
		4	16202-BA1-R300	VALVE, THROTTLE	1	N		20081219	KMYSA8BLS9C000001	
		5	16203-BA1-R300	SPRING, THROTTLE RETURN	1	N		20081219	KMYSA8BLS9C000001	
		6	16204-SA7-R300	LEVER COMP., THROTTLE	1	N		20081219	KMYSA8BLS9C000001	
		7	16205-SA4-R300	SHAFT, THROTTLE	1	N		20081219	KMYSA8BLS9C000001	
		8	16206-BA1-R300	COLLAR, THROTTLE RETURN SPG.	1	N		20081219	KMYSA8BLS9C000001	
		9	16207-BA1-R300	SEAL, OIL	2	N		20081219	KMYSA8BLS9C000001	
		10	16208-BA1-R300	COLLAR, SIDE	2	N		20081219	KMYSA8BLS9C000001	
		11	16209-SA7-R300	PLATE, ANCHOR	1	N		20081219	KMYSA8BLS9C000001	
		12	16220-BA1-R310-M1	ACTUATOR, IDLE SPEED	1	Y		20081219	KMYSA8BLS9C000001	
		13	16230-BA1-R300-M1	SENSOR, THROTTLE POSITION	1	Y		20081219	KMYSA8BLS9C000001	
		14	16240-BA1-R300-M1	SENSOR, MAP & AT	1	Y		20081219	KMYSA8BLS9C000001	
		15	90206-CB2-0000	NUT, TAPPET ADJUSTING	1	N		20081219	KMYSA8BLS9C000001	
		16	S3500-05008-0A	SCREW, PAN 5x8	2	N		20081219	KMYSA8BLS9C000001	
		17	S3600-03005	SCREW, FLAT 3x5	2	N		20081219	KMYSA8BLS9C000001	
		18	S3893-04012-18	SCREW, WASHER 4x12	6	N		20081219	KMYSA8BLS9C000001	
		19	S4001-08000-0S	NUT, HEX 8mm	1	N		20081219	KMYSA8BLS9C000001	
		20	S4111-08800	WASHER, SPRING 8mm	1	N		20081219	KMYSA8BLS9C000001	
		21	S4540-06018	E-RING, 6mm	1	N		20081219	KMYSA8BLS9C000001	

F-01

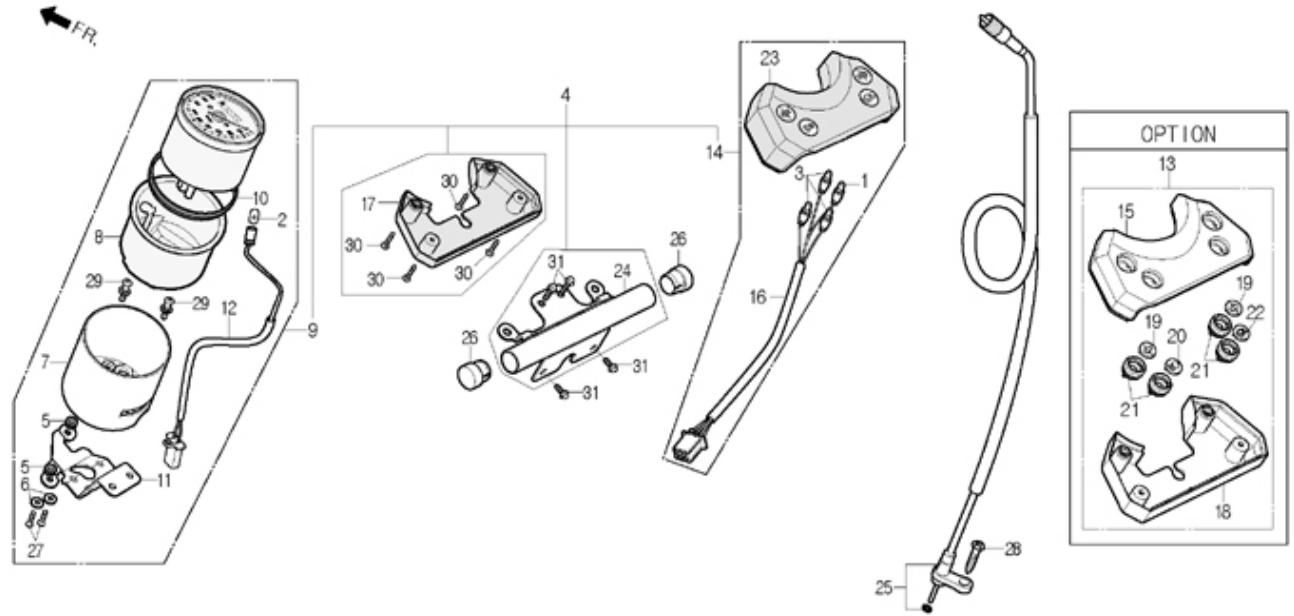
HEADLIGHT



Service item	FRT	Ref. No.	Part No.	Description	QTY	A/S	Exch	Start Date	Start FRM.No	End FRM.No
HEADLIGHT ASS'Y	0.2	1	33100-BA4-RA00-M1	LIGHT ASS'Y, HEAD(Use for England)	1	Y		20081219	KMYSA8BLS9C000001	
SOCKET ASS'Y, HEADLIGHT	0.1		33100-BA4-RB00	LIGHT ASS'Y, HEAD	1	Y		20081219	KMYSA8BLS9C000001	
		2	33101-BA7-6200	RIM, HEADLIGHT	1	Y		20081219	KMYSA8BLS9C000001	
		3	33108-BA7-0030	SPRING, UNIT HOLDER	3	N		20081219	KMYSA8BLS9C000001	
		4	33120-BA4-0000	UNIT, HEADLIGHT	1	Y		20081219	KMYSA8BLS9C000001	
		5	33130-BA7-RB10-M1	SOCKET ASS'Y, HEADLIGHT	1	N		20081219	KMYSA8BLS9C000001	
		6	33150-BA7-RB00-M1	SOCKET ASSY, POSITION LIGHT	1	Y		20081219	KMYSA8BLS9C000001	
		7	34901-BA4-0000	BULB, HEADLIGHT(HS1: 12V 35W/35W)	1	Y		20081219	KMYSA8BLS9C000001	
		8	34902-SA1-RB00	BULB, WEDGE BASE(12V5W)	1	Y		20081219	KMYSA8BLS9C000001	
		9	6130A-SA8-0000	SET, HEADLIGHT CASE	1	Y		20081219	KMYSA8BLS9C000001	
		10	61302-BA7-9000	COLLAR, HEADLIGHT CASE	2	N		20081219	KMYSA8BLS9C000001	
		11	61304-BA7-0000	COLLAR, HEADLIGHT SETTING	2	N		20081219	KMYSA8BLS9C000001	
		12	61304-BA7-9000	NUT, LH.HEADLIGHT CASE(RH.)	1	Y		20081219	KMYSA8BLS9C000001	
		13	61304-SA8-0000	NUT, LH.HEADLIGHT CASE	1	Y		20081219	KMYSA8BLS9C000001	
		14	61420-SA8-0000	STAY ASS'Y, HEADLIGHT	1	Y		20081219	KMYSA8BLS9C000001	
		15	64212-X10-0000	RUBBER, FR.COWL MOUNT	2	Y		20081219	KMYSA8BLS9C000001	
		16	64213-X10-0000	COLLAR, FR.COWL SETTING	2	Y		20081219	KMYSA8BLS9C000001	
		17	90100-BA4-0000	BOLT, SPECIAL FLANGE 8x22	2	Y		20081219	KMYSA8BLS9C000001	
		18	S3892-05016-08	SCREW, WASHER 5x16	2	Y		20081219	KMYSA8BLS9C000001	
		19	S5701-06025-08	BOLT, FLANGE 6x25	2	Y		20081219	KMYSA8BLS9C000001	

F-02

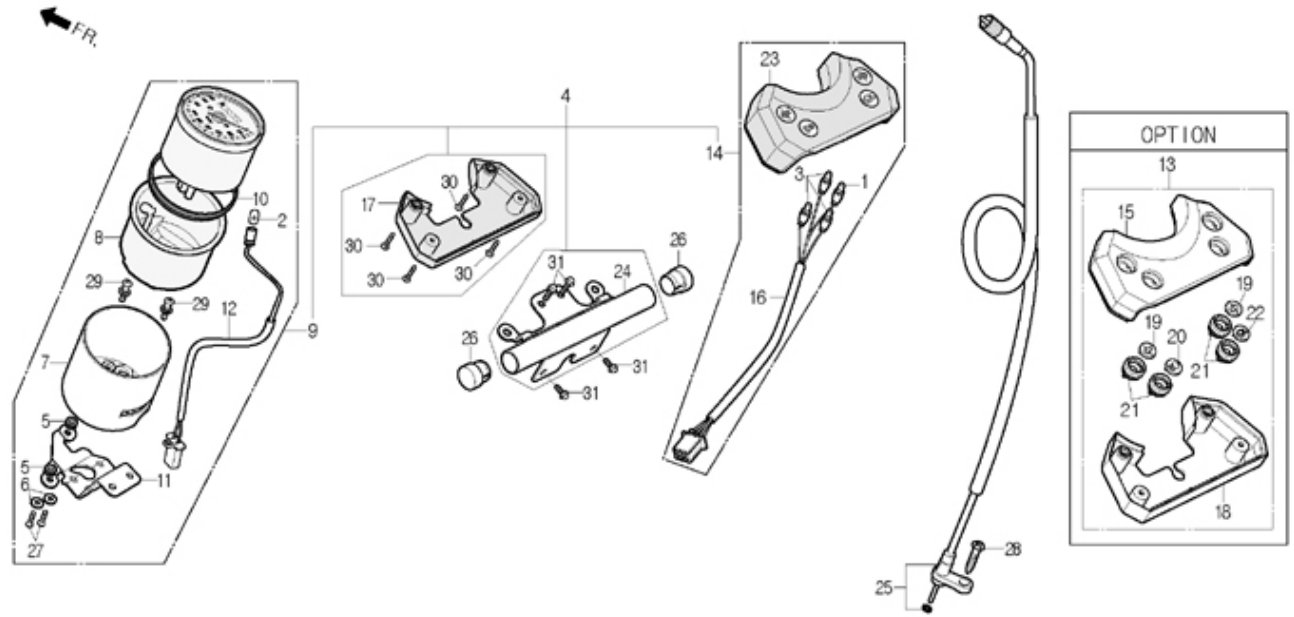
SPEEDOMETER



Service item	FRT	Ref. No.	Part No.	Description	QTY	A/S	Exch	Start Date	Start FRM.No	End FRM.No
SPEEDOMETER SET	0.5	1	34908-BA6-6710-M1	BULB, WEDGE BASE T6.5	1Y			20081219	KMYSA8BLS9C000001	
SPEEDOMETER ASS'Y	0.3	2	34908-SA2-8710-M1	BULB, WEDGE BASE (12V 1.7W)	1Y			20081219	KMYSA8BLS9C000001	
SOCKET COMP.	0.5	3	34918-BA5-9200	BULB, WEDGE BASE T6.5(14V 3W)	3Y			20081219	KMYSA8BLS9C000001	
		4	3710A-SA8-K300	SPEEDOMETER SET	1Y			20081219	KMYSA8BLS9C000001	
		5	37101-BA7-9000	RUBBER, METER SET	2N			20081219	KMYSA8BLS9C000001	
		6	37102-BA7-9000	WASHER	2N			20081219	KMYSA8BLS9C000001	
		7	37120-SA8-0000	LOWER COVER, METER	1N			20081219	KMYSA8BLS9C000001	
		8	37130-SA8-0000	CASE, METER	1N			20081219	KMYSA8BLS9C000001	
		9	37200-SA8-0000	SPEEDOMETER ASS'Y	1N			20081219	KMYSA8BLS9C000001	
		10	37209-SA8-0000	CUSHION, SPEEDOMETER	1N			20081219	KMYSA8BLS9C000001	
		11	37211-SA8-0000	STAY COMP., METER	1N			20081219	KMYSA8BLS9C000001	
		12	37223-SA8-0000	SOCKET COMP.	1N			20081219	KMYSA8BLS9C000001	
		13	3760B-SA8-K300-BL	BOX SET, PILOT(S/BLUE)	1Y			20081219	KMYSA8BLS9C000001	
			3760B-SA8-K300-GB	BOX SET, PILOT(G/BLUE)	1Y			20081219	KMYSA8BLS9C000001	
			3760B-SA8-K300-WP	BOX SET, PILOT(P/WHITE)	1Y			20081219	KMYSA8BLS9C000001	
		14	37600-SA8-K300	BOX ASS'Y, PILOT	1Y			20081219	KMYSA8BLS9C000001	
		15	37601-SA8-3000-BL	BASE, PILOT LAMP(S/BLUE)	1N			20081219	KMYSA8BLS9C000001	
			37601-SA8-3000-GB	BASE, PILOT LAMP(G/BLUE)	1N			20081219	KMYSA8BLS9C000001	
			37601-SA8-3000-WP	BASE, PILOT LAMP(P/WHITE)	1N			20081219	KMYSA8BLS9C000001	
		16	37609-SA8-0000	SOCKET COMP.	1N			20081219	KMYSA8BLS9C000001	
		17	37610-SA8-0010	COVER, PILOT BOX	1N			20081219	KMYSA8BLS9C000001	

F-02

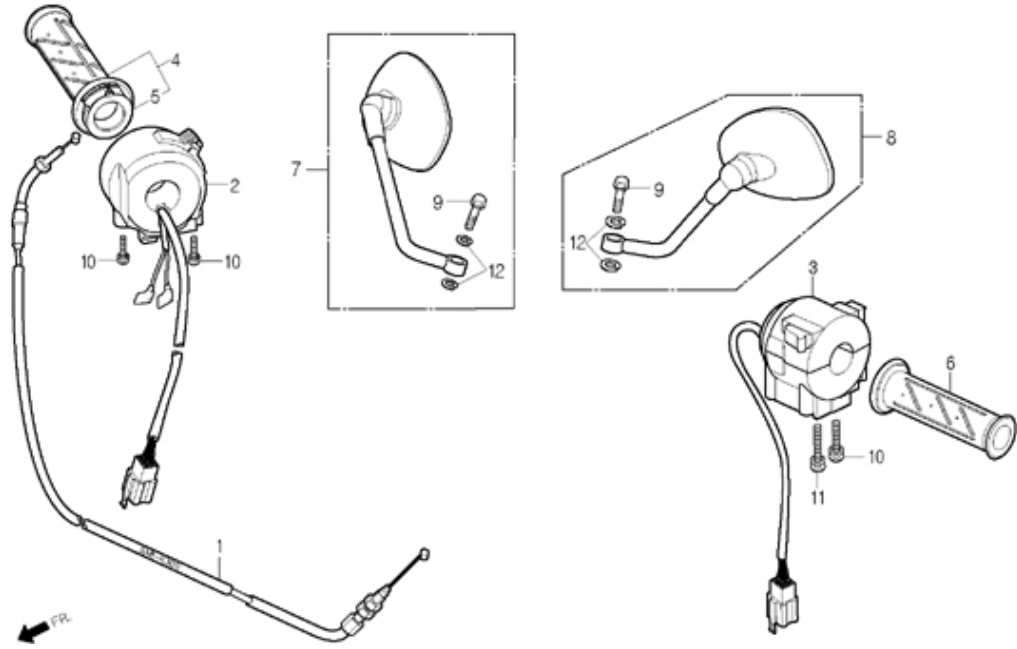
SPEEDOMETER



Service item	FRT	Ref. No.	Part No.	Description	QTY	A/S	Exch	Start Date	Start FRM.No	End FRM.No
		18	37610-SA8-3000-BL	COVER, PILOT BOX(S/BLUE)	1N			20081219	KMYSA8BLS9C000001	
			37610-SA8-3000-GB	COVER, PILOT BOX(G/BLUE)	1N			20081219	KMYSA8BLS9C000001	
			37610-SA8-3000-WP	COVER, PILOT BOX (P/WHITE)	1N			20081219	KMYSA8BLS9C000001	
		19	37611-SA8-0000	LENS, TURN	2N			20081219	KMYSA8BLS9C000001	
		20	37613-SA8-0000	LENS, HIGH BEAM	1N			20081219	KMYSA8BLS9C000001	
		21	37614-SA8-0000	RIM, PILOT LAMP	4N			20081219	KMYSA8BLS9C000001	
		22	37617-SA8-K300	LENS, ENG. CHECK	1Y			20081219	KMYSA8BLS9C000001	
		23	37620-SA8-K300	BASE COMP., PILOT LAMP	1N			20081219	KMYSA8BLS9C000001	
		24	37630-SA8-0000	STAY COMP., PILOT BOX	1Y			20081219	KMYSA8BLS9C000001	
		25	44830-SA8-0000-M1	CABLE COMP., SPEEDOMETER	1Y			20081219	KMYSA8BLS9C000001	
		26	81401-SA8-0000	CAP, BAR END	2Y			20081219	KMYSA8BLS9C000001	
		27	S3700-04008-0B	SCREW, OVAL 4x8	2N			20081219	KMYSA8BLS9C000001	
		28	S3700-05016-0G	SCREW, OVAL 5x16	1Y			20081219	KMYSA8BLS9C000001	
		29	S3891-05010-00	SCREW, WASHER 5x10	2N			20081219	KMYSA8BLS9C000001	
		30	S3903-34480	SCREW, TAPPING 4x16	4N			20081219	KMYSA8BLS9C000001	
		31	S5701-06012-08	BOLT, FLANGE 6x12	4N			20081219	KMYSA8BLS9C000001	

F-03

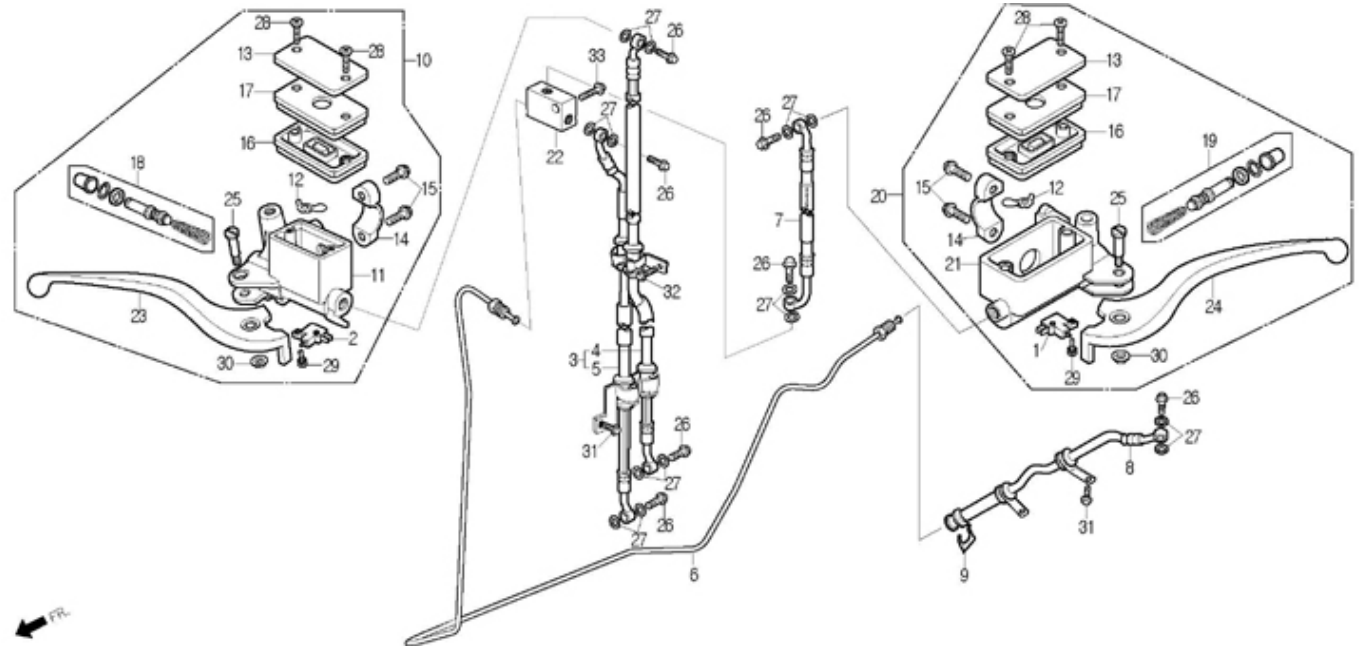
HANDLE LEVER / SWITCH / CABLE



Service item	FRT	Ref. No.	Part No.	Description	QTY	A/S	Exch	Start Date	Start FRM.No	End FRM.No
CABLE COMP., THROTTLE	0.8	1	17910-SA8-K300	CABLE COMP., THROTTLE	1	Y		20081219	KMYSA8BLS9C000001	
		2	35150-SA8-PK00	SWITCH ASS'Y, LIGHTING START	1	Y		20081219	KMYSA8BLS9C000001	
		3	35200-SA8-0000	SWITCH ASS'Y, WINKER	1	Y		20081219	KMYSA8BLS9C000001	
		4	53140-BA4-0000	GRIP COMP., RH.	1	Y		20081219	KMYSA8BLS9C000001	
		5	53141-BA4-0000	PIPE, THROTTLE GRIP	1	N		20081219	KMYSA8BLS9C000001	
		6	53166-BA4-0000	GRIP, LH.HANDLE	1	Y		20081219	KMYSA8BLS9C000001	
		7	88110-SZ1-0000	MIRROR ASS'Y, RH.BACK	1	Y		20081219	KMYSA8BLS9C000001	
		8	88120-SZ1-0000	MIRROR ASS'Y, LH.BACK	1	Y		20081219	KMYSA8BLS9C000001	
		9	90107-BA5-1000	BOLT, SPECIAL FLANGE 8x35	2	Y		20081219	KMYSA8BLS9C000001	
		10	S3892-05028-08	SCREW, WASHER 5x28	3	Y		20081219	KMYSA8BLS9C000001	
		11	S3892-05045-08	SCREW, WASHER 5x45	1	Y		20081219	KMYSA8BLS9C000001	
		12	S4111-08000	WASHER, SPRING 8mm	4	Y		20081219	KMYSA8BLS9C000001	

F-04

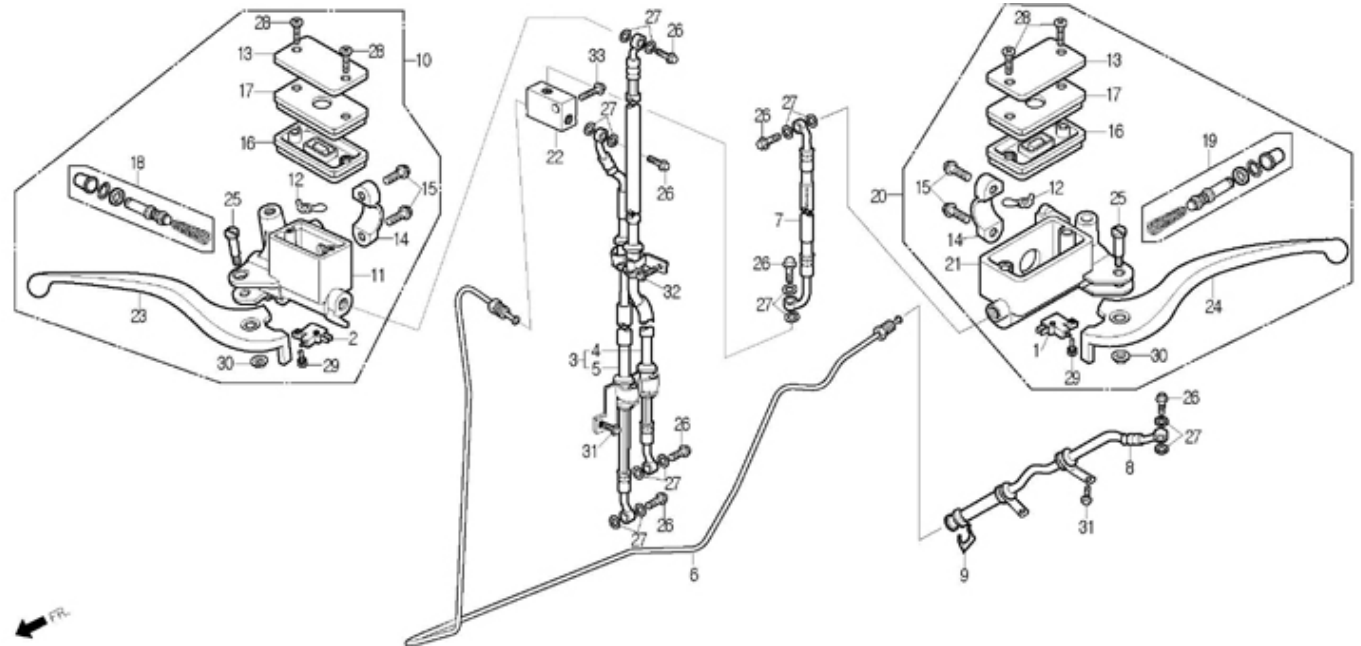
MASTER CYLINDER



Service item	FRT	Ref. No.	Part No.	Description	QTY	A/S	Exch	Start Date	Start FRM.No	End FRM.No
SWITCH ASS'Y, FR.STOP	0.3	1	35340-SA2-0000	SWITCH ASS'Y, RR.STOP	1	Y		20081219	KMYSA8BLS9C000001	
-DIAPHRAGM	0.8	2	35340-SC1-6710-M1	SWITCH ASS'Y, FR.STOP	1	Y		20081219	KMYSA8BLS9C000001	
-LEVER, RH.STEERING HANDLE	0.6	3	4512A-SA8-K300	HOSE ASS'Y, COMBI BRAKE FR.	1	Y		20081219	KMYSA8BLS9C000001	
HOSE ASS'Y, FR.BRAKE	0.5	4	45126-SA8-K300	HOSE COMP., FR.BRAKE	1	Y		20081219	KMYSA8BLS9C000001	
CYLINDER ASS'Y, FR.MASTER		5	45127-SA8-K300	HOSE COMP.B, FR.BRAKE	1	Y		20081219	KMYSA8BLS9C000001	
CYLINDER SET, MASTER		6	45146-SA8-0000	HOSE PIPE, RR.BRAKE	1	Y		20081219	KMYSA8BLS9C000001	
		7	45147-SA8-0000	HOSE A ASS'Y, RR.BRAKE	1	Y		20081219	KMYSA8BLS9C000001	
		8	45148-SA8-0000	HOSE B ASS'Y, RR.BRAKE	1	Y		20081219	KMYSA8BLS9C000001	
		9	45151-SA2-0000	CLAMP, BRAKE HOSE	1	Y		20081219	KMYSA8BLS9C000001	
		10	45500-SA8-0000	CYLINDER ASS'Y, FR.MASTER	1	Y		20081219	KMYSA8BLS9C000001	
		11	45501-SA8-0000	BODY, FR.MASTER CYLINDER	1	N		20081219	KMYSA8BLS9C000001	
		12	45512-BA6-0060-M1	PROTECTOR(DC)	2	N		20081219	KMYSA8BLS9C000001	
		13	45513-SA8-0000	CAP, OIL CUP	2	N		20081219	KMYSA8BLS9C000001	
		14	45517-SA8-0000	HOLDER, MASTER CYLINDER	2	N		20081219	KMYSA8BLS9C000001	
		15	45518-SA8-0000	PLATE, REFLECTION	4	N		20081219	KMYSA8BLS9C000001	
		16	45520-SC1-0060	DIAPHRAGM	2	N		20081219	KMYSA8BLS9C000001	
		17	45521-SC1-0060	PLATE, DIAPHRAGM	2	N		20081219	KMYSA8BLS9C000001	
		18	45530-SZ1-0000	CYLINDER SET, MASTER	1	N		20081219	KMYSA8BLS9C000001	
		19	45540-SZ1-0100	CYLINDER SET, MASTER	1	N		20081219	KMYSA8BLS9C000001	
		20	45600-SA8-0000	CYLINDER ASS'Y, RR.MASTER	1	Y		20081219	KMYSA8BLS9C000001	
		21	45601-SA8-0000	BODY, RR.MASTER CYLINDER	1	N		20081219	KMYSA8BLS9C000001	

F-04

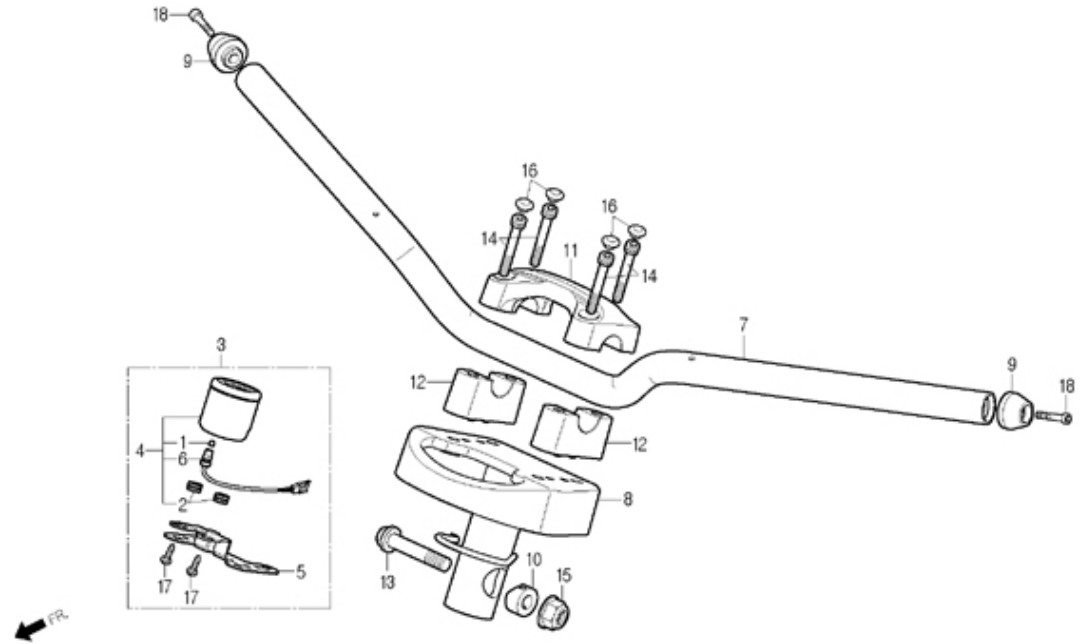
MASTER CYLINDER



Service item	FRT	Ref. No.	Part No.	Description	QTY	A/S	Exch	Start Date	Start FRM.No	End FRM.No
		22	46300-SZ1-0110	JUNCTION VALVE	1	Y		20081219	KMYSA8BLS9C000001	
		23	53175-SA8-0000	LEVER, RH.STEERING HANDLE	1	Y		20081219	KMYSA8BLS9C000001	
		24	53178-SA8-0000	LEVER, LH.STEERING HANDLE	1	Y		20081219	KMYSA8BLS9C000001	
		25	90114-BA6-2060	BOLT, HANDLE LEVER	2	N		20081219	KMYSA8BLS9C000001	
		26	90145-BA7-9000	BOLT, OIL 10x22	7	Y		20081219	KMYSA8BLS9C000001	
		27	90545-BA6-0000	WASHER, OIL BOLT	14	Y		20081219	KMYSA8BLS9C000001	
		28	S3600-04012-1B	SCREW, FLAT 4x12	4	Y		20081219	KMYSA8BLS9C000001	
		29	S3893-04012-18	SCREW, WASHER 4x12	2	N		20081219	KMYSA8BLS9C000001	
		30	S4050-06020	NUT, FLANGE 6mm	2	N		20081219	KMYSA8BLS9C000001	
		31	S5701-06012-07	BOLT, FLANGE 6x12	2	Y		20081219	KMYSA8BLS9C000001	
		32	S5701-06012-08	BOLT, FLANGE 6x12	1	Y		20081219	KMYSA8BLS9C000001	
		33	S5701-08030-08	BOLT, FLANGE 8x30	1	Y		20081219	KMYSA8BLS9C000001	

F-05

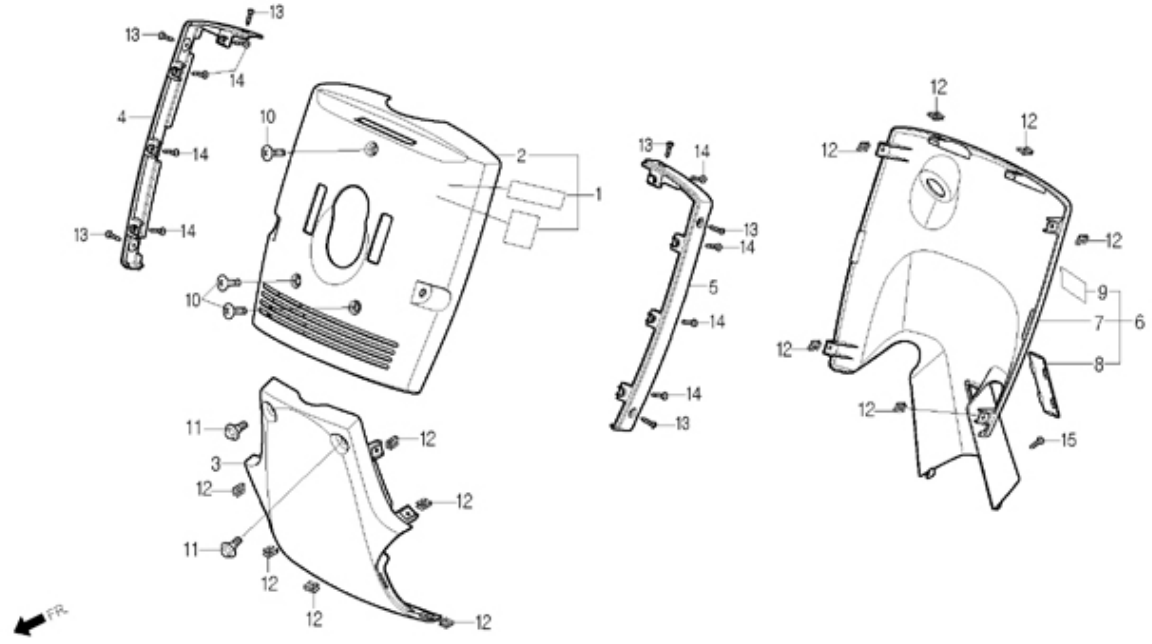
STEERING HANDLE



Service item	FRT	Ref. No.	Part No.	Description	QTY	A/S	Exch	Start Date	Start FRM.No	End FRM.No
HANDLE COMP., STEERING	0.5	1	34908-SA2-8710-M1	BULB, WEDGE BASE (12V 1.7W)	1	Y		20081219	KMYSA8BLS9C000001	
		2	37212-SE3-0000	MOUNT RUBBER, SPEEDOMETER	2	N		20081219	KMYSA8BLS9C000001	
		3	37300-SA8-K300	METER ASS'Y, FUEL	1	Y		20081219	KMYSA8BLS9C000001	
		4	37300-SA8-K300-B2	METER COMP., FUEL	1	Y		20081219	KMYSA8BLS9C000001	
		5	37303-SA8-K300	STAY, FUEL METER	1	N		20081219	KMYSA8BLS9C000001	
		6	37310-SA8-K300	SOCKET COMP.	1	N		20081219	KMYSA8BLS9C000001	
		7	53100-SA8-0000	HANDLE COMP., STEERING	1	Y		20081219	KMYSA8BLS9C000001	
		8	53101-SA8-0010	POST COMP., HANDLE	1	Y		20081219	KMYSA8BLS9C000001	
		9	53106-SZ1-0000	WEIGHT CAP, HANDLE	2	Y		20081219	KMYSA8BLS9C000001	
		10	53125-CB2-9000	COLLAR, HANDLE SETTING	1	Y		20081219	KMYSA8BLS9C000001	
		11	53131-SA8-0000	HOLDER, HANDLE UPPER	1	Y		20081219	KMYSA8BLS9C000001	
		12	53132-SA8-0000	HOLDER, HANDLE UNDER	2	Y		20081219	KMYSA8BLS9C000001	
		13	90106-CB2-9000	BOLT, FLANGE 10x50	1	Y		20081219	KMYSA8BLS9C000001	
		14	90186-SE8-0000	BOLT, HEX SOCKET 8x25	4	Y		20081219	KMYSA8BLS9C000001	
		15	90304-SE6-0000	NUT, U 10mm	1	Y		20081219	KMYSA8BLS9C000001	
		16	91456-BA6-7700	CAP, SOCKET BOLT 8mm	4	Y		20081219	KMYSA8BLS9C000001	
		17	S3903-34480	SCREW, TAPPING 4x16	2	N		20081219	KMYSA8BLS9C000001	
		18	S6700-08035-00	BOLT, SOCKET 8x35	2	Y		20081219	KMYSA8BLS9C000001	

F-06

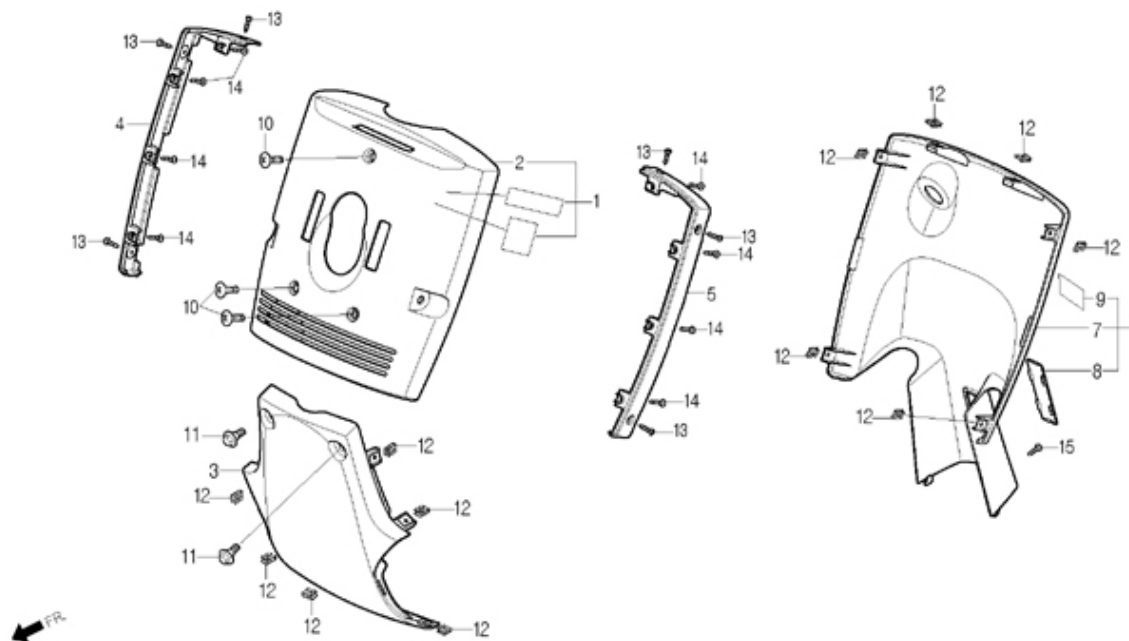
FRONT COVER / INNER BOX



Service item	FRT	Ref. No.	Part No.	Description	QTY	A/S	Exch	Start Date	Start FRM.No	End FRM.No
COVER ASS'Y, FR.	0.3	1	6430A-SA8-K300-GB	COVER ASS'Y, FR.(G/BLUE)	1	Y		20081219	KMYSA8BLS9C000001	
BOX, INNER	0.1		6430A-SA8-K300-LR	COVER ASS'Y, FR.(L/RED)	1	Y		20081219	KMYSA8BLS9C000001	
COVER, FR.SIDE	0.1		6430A-SA8-K300-WE	COVER ASS'Y, FR.(W/RED)	1	Y		20081219	KMYSA8BLS9C000001	
			6430A-SA8-K300-WP	COVER ASS'Y, FR.(P/WHITE)	1	Y		20081219	KMYSA8BLS9C000001	
		2	64301-SA8-0000-GB	COVER, FR.(G/BLUE)	1	N		20081219	KMYSA8BLS9C000001	
			64301-SA8-0000-LR	COVER, FR.(L/RED)	1	N		20081219	KMYSA8BLS9C000001	
			64301-SA8-0000-WE	COVER, FR.(W/RED)	1	N		20081219	KMYSA8BLS9C000001	
			64301-SA8-0000-WP	COVER, FR.(P/WHITE)	1	N		20081219	KMYSA8BLS9C000001	
		3	64400-SA8-0010-GB	COVER, FR.UNDER(G/BLUE)	1	Y		20081219	KMYSA8BLS9C000001	
			64400-SA8-0010-LR	COVER, FR.UNDER(L/RED)	1	Y		20081219	KMYSA8BLS9C000001	
			64400-SA8-0010-WE	COVER, FR.UNDER(W/RED)	1	Y		20081219	KMYSA8BLS9C000001	
			64400-SA8-0010-WP	COVER, FR.UNDER(P/WHITE)	1	Y		20081219	KMYSA8BLS9C000001	
		4	64451-SA8-0000	COVER, RH.FR.SIDE	1	Y		20081219	KMYSA8BLS9C000001	
		5	64461-SA8-0000	COVER, LH.FR.SIDE	1	Y		20081219	KMYSA8BLS9C000001	
		6	8113A-SA8-MA00-GB	BOX ASS'Y, INNER(G/BLUE)	1	Y		20081219	KMYSA8BLS9C000001	
			8113A-SA8-MA00-LR	BOX ASS'Y, INNER(L/RED)	1	Y		20081219	KMYSA8BLS9C000001	
			8113A-SA8-MA00-WE	BOX ASS'Y, INNER(W/RED)	1	Y		20081219	KMYSA8BLS9C000001	
			8113A-SA8-MA00-WP	BOX ASS'Y, INNER(P/WHITE)	1	Y		20081219	KMYSA8BLS9C000001	
			8113A-SA8-RB00-GB	BOX ASS'Y, INNER(G/BLUE)	1	Y		20081219	KMYSA8BLS9C000001	
			8113A-SA8-RB00-LR	BOX ASS'Y, INNER(L/RED)	1	Y		20081219	KMYSA8BLS9C000001	
			8113A-SA8-RB00-WE	BOX ASS'Y, INNER(W/RED)	1	Y		20081219	KMYSA8BLS9C000001	
			8113A-SA8-RB00-WP	BOX ASS'Y, INNER(P/WHITE)	1	Y		20081219	KMYSA8BLS9C000001	
			8113A-SA8-RC00-GB	BOX ASS'Y, INNER(G/BLUE)	1	Y		20081219	KMYSA8BLS9C000001	

F-06

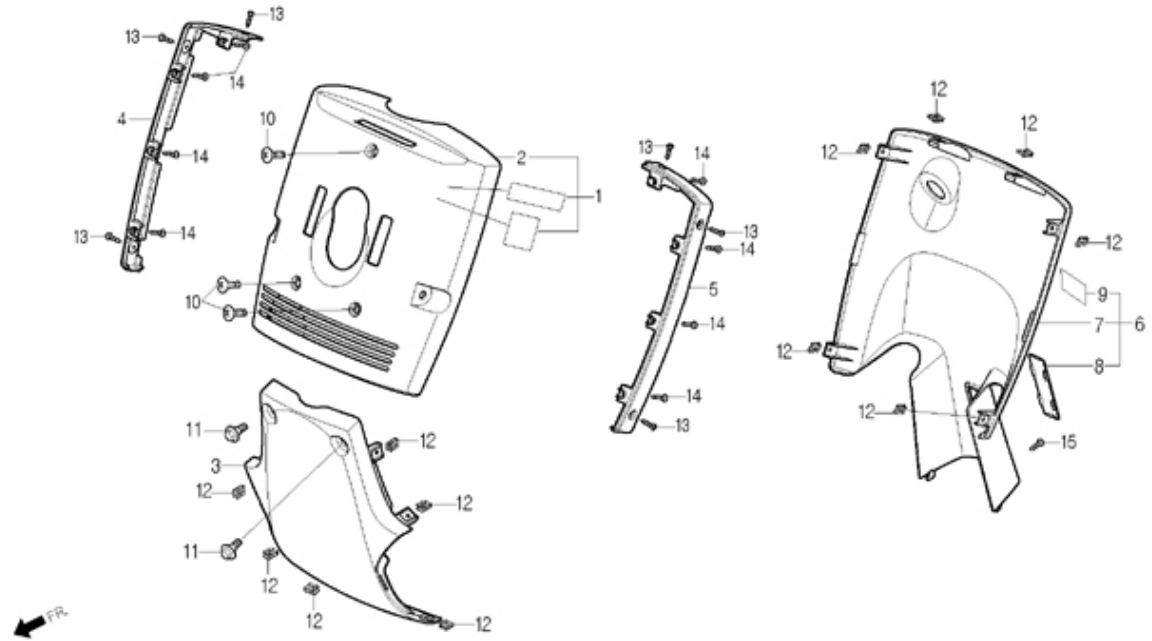
FRONT COVER / INNER BOX



Service item	FRT	Ref. No.	Part No.	Description	QTY	A/S	Exch	Start Date	Start FRM.No	End FRM.No
			8113A-SA8-RC00-LR	BOX ASS'Y, INNER(L/RED)	1	Y		20081219	KMYSA8BLS9C000001	
			8113A-SA8-RC00-WE	BOX ASS'Y, INNER(W/RED)	1	Y		20081219	KMYSA8BLS9C000001	
			8113A-SA8-RC00-WP	BOX ASS'Y, INNER(P/WHITE)	1	Y		20081219	KMYSA8BLS9C000001	
			8113A-SA8-RE00-GB	BOX ASS'Y, INNER(G/BLUE)	1	Y		20081219	KMYSA8BLS9C000001	
			8113A-SA8-RE00-LR	BOX ASS'Y, INNER(L/RED)	1	Y		20081219	KMYSA8BLS9C000001	
			8113A-SA8-RE00-WE	BOX ASS'Y, INNER(W/RED)	1	Y		20081219	KMYSA8BLS9C000001	
			8113A-SA8-RE00-WP	BOX ASS'Y, INNER(P/WHITE)	1	Y		20081219	KMYSA8BLS9C000001	
			8113A-SA8-RJ00-GB	BOX ASS'Y, INNER(G/BLUE)	1	Y		20081219	KMYSA8BLS9C000001	
			8113A-SA8-RJ00-LR	BOX ASS'Y, INNER(L/RED)	1	Y		20081219	KMYSA8BLS9C000001	
			8113A-SA8-RJ00-WE	BOX ASS'Y, INNER(W/RED)	1	Y		20081219	KMYSA8BLS9C000001	
			8113A-SA8-RJ00-WP	BOX ASS'Y, INNER(P/WHITE)	1	Y		20081219	KMYSA8BLS9C000001	
	7		81131-SA8-0000-GB	BOX, INNER(G/BLUE)	1	N		20081219	KMYSA8BLS9C000001	
			81131-SA8-0000-LR	BOX, INNER(L/RED)	1	N		20081219	KMYSA8BLS9C000001	
			81131-SA8-0000-WE	BOX, INNER(W/RED)	1	N		20081219	KMYSA8BLS9C000001	
			81131-SA8-0000-WP	BOX, INNER(P/WHITE)	1	N		20081219	KMYSA8BLS9C000001	
	8		81132-SA8-0000-GB	CAP, NUMBERING(G/BLUE)	1	Y		20081219	KMYSA8BLS9C000001	
			81132-SA8-0000-LR	CAP, NUMBERING(L/RED)	1	Y		20081219	KMYSA8BLS9C000001	
			81132-SA8-0000-WE	CAP, NUMBERING(W/RED)	1	Y		20081219	KMYSA8BLS9C000001	
			81132-SA8-0000-WP	CAP, NUMBERING(P/WHITE)	1	Y		20081219	KMYSA8BLS9C000001	
	9		87560-SA1-MA00	MARK, DRIVE CAUTION(ENGLISH)	1	N		20081219	KMYSA8BLS9C000001	
			87560-SA1-RB00	MARK, DRIVE CAUTION(GERMANY)	1	N		20081219	KMYSA8BLS9C000001	
			87560-SA1-RC00	MARK, DRIVE CAUTION(ITALY)	1	N		20081219	KMYSA8BLS9C000001	
			87560-SA1-RE00	MARK, DRIVE CAUTION(FRANCE)	1	N		20081219	KMYSA8BLS9C000001	
			87560-SA1-RJ00	MARK, DRIVE CAUTION(SPAIN)	1	N		20081219	KMYSA8BLS9C000001	

F-06

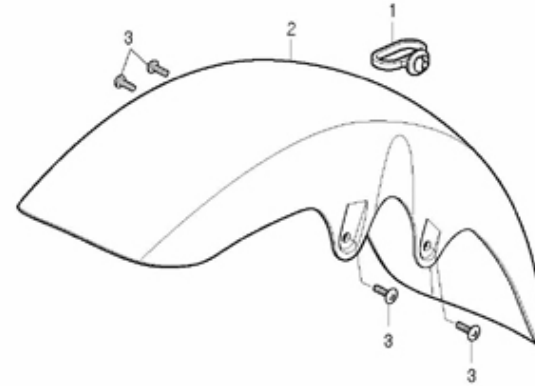
FRONT COVER / INNER BOX



Service item	FRT	Ref. No.	Part No.	Description	QTY	A/S	Exch	Start Date	Start FRM.No	End FRM.No
			87560-SA8-MA00	MARK, DRIVE CAUTION	1	N		20081219	KMYSA8BLS9C000001	
			87560-SA8-RB00	MARK, DRIVE CAUTION	1	N		20081219	KMYSA8BLS9C000001	
			87560-SA8-RC00	MARK, DRIVE CAUTION	1	N		20081219	KMYSA8BLS9C000001	
			87560-SA8-RE00	MARK, DRIVE CAUTION	1	N		20081219	KMYSA8BLS9C000001	
			87560-SA8-RJ00	MARK, DRIVE CAUTION	1	N		20081219	KMYSA8BLS9C000001	
		10	90110-SE5-0000	SCREW, SPECIAL 6x14	3	Y		20081219	KMYSA8BLS9C000001	
		11	90111-SE5-1000	BOLT, FLANGE 6mm	2	Y		20081219	KMYSA8BLS9C000001	
		12	90302-SA4-0030	NUT, SPRING 4mm	12	Y		20081219	KMYSA8BLS9C000001	
		13	S3903-34410	SCREW, TAPPING 4x16	6	Y		20081219	KMYSA8BLS9C000001	
		14	S3903-34420	SCREW, TAPPING 4x16	8	Y		20081219	KMYSA8BLS9C000001	
		15	S3903-34480	SCREW, TAPPING 4x16	1	Y		20081219	KMYSA8BLS9C000001	

F-07

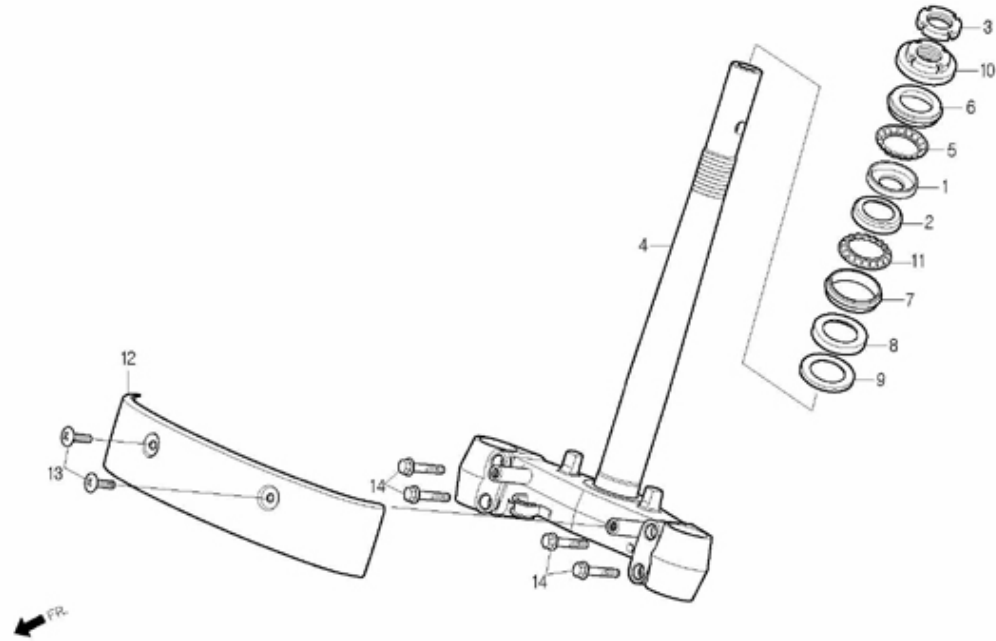
FRONT FENDER



Service item	FRT	Ref. No.	Part No.	Description	QTY	A/S	Exch	Start Date	Start FRM.No	End FRM.No
FENDER, FR.	0.1	1	45451-BA5-0000	GROMMET, WIRE	1	Y		20081219	KMYSA8BLS9C000001	
		2	61100-SA8-0000-GB	FENDER, FR.(G/BLUE)	1	Y		20081219	KMYSA8BLS9C000001	
			61100-SA8-0000-LR	FENDER, FR.(L/RED)	1	Y		20081219	KMYSA8BLS9C000001	
			61100-SA8-0000-WE	FENDER, FR.(W/RED)	1	Y		20081219	KMYSA8BLS9C000001	
			61100-SA8-0000-WP	FENDER, FR.(P/WHITE)	1	Y		20081219	KMYSA8BLS9C000001	
		3	90110-SE5-0000	SCREW, SPECIAL 6x14	4	Y		20081219	KMYSA8BLS9C000001	

F-08

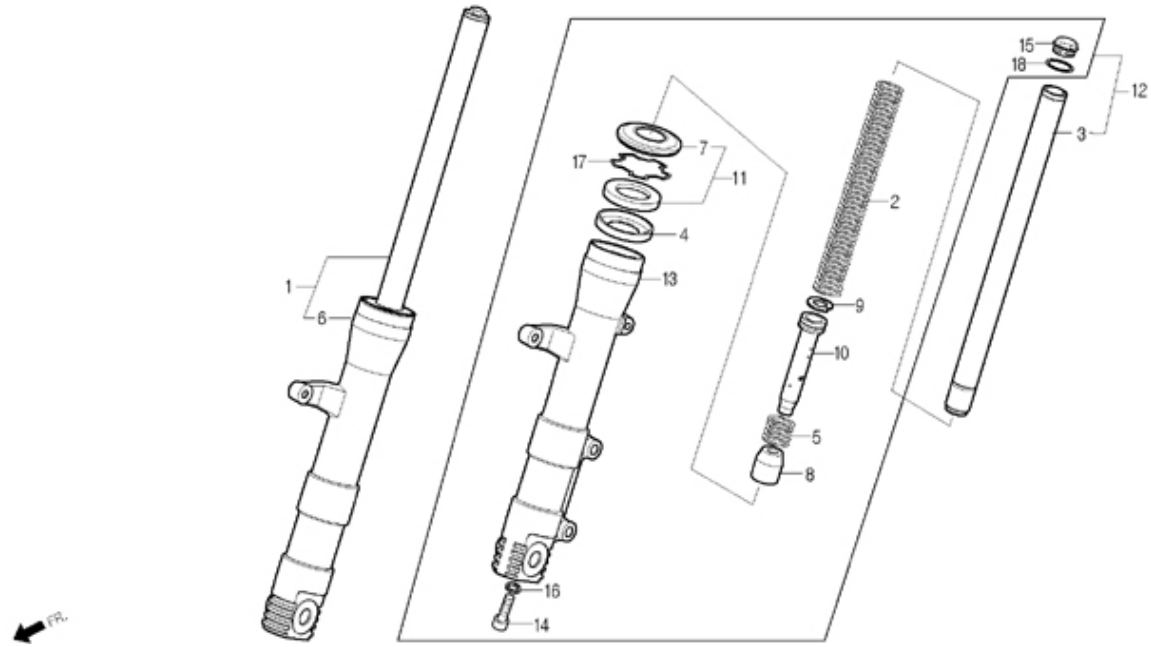
STEERING STEM



Service item	FRT	Ref. No.	Part No.	Description	QTY	A/S	Exch	Start Date	Start FRM.No	End FRM.No
RACE, STEERING TOP CONE	1.0	1	50301-CB2-9000	RACE, STEERING TOP BALL	1	Y		20081219	KMYSA8BLS9C000001	
		2	50302-CB2-9000	RACE, STEERING BOTTOM BALL	1	Y		20081219	KMYSA8BLS9C000001	
		3	50306-CB3-0000	NUT, STEERING STEM LOCK	1	Y		20081219	KMYSA8BLS9C000001	
		4	53200-SA8-0010	STEM COMP., STEERING	1	Y		20081219	KMYSA8BLS9C000001	
		5	53210-CB3-7500	BALL ASS'Y, STEERING UPPER	1	Y		20081219	KMYSA8BLS9C000001	
		6	53211-CB2-9000	RACE, STEERING TOP CONE	1	Y		20081219	KMYSA8BLS9C000001	
		7	53212-CB2-9000	RACE, STEERING BOTTOM CONE	1	Y		20081219	KMYSA8BLS9C000001	
		8	53214-CB2-9000	DUST SEAL, STEERING	1	Y		20081219	KMYSA8BLS9C000001	
		9	53215-CB3-0000	WASHER, STEERING HEAD DUST SEAL	1	Y		20081219	KMYSA8BLS9C000001	
		10	53220-CB3-0000	THREAD COMP., TOP	1	Y		20081219	KMYSA8BLS9C000001	
		11	53220-CB3-7500	BALL ASSY, STEERING UNDER	1	Y		20081219	KMYSA8BLS9C000001	
		12	53255-SA8-0000	COVER, BOTTOM BRIDGE	1	Y		20081219	KMYSA8BLS9C000001	
		13	90110-SE5-0000	SCREW, SPECIAL 6x14	2	Y		20081219	KMYSA8BLS9C000001	
		14	S5801-10045-08	BOLT, FLANGE 10x45	4	Y		20081219	KMYSA8BLS9C000001	

F-09

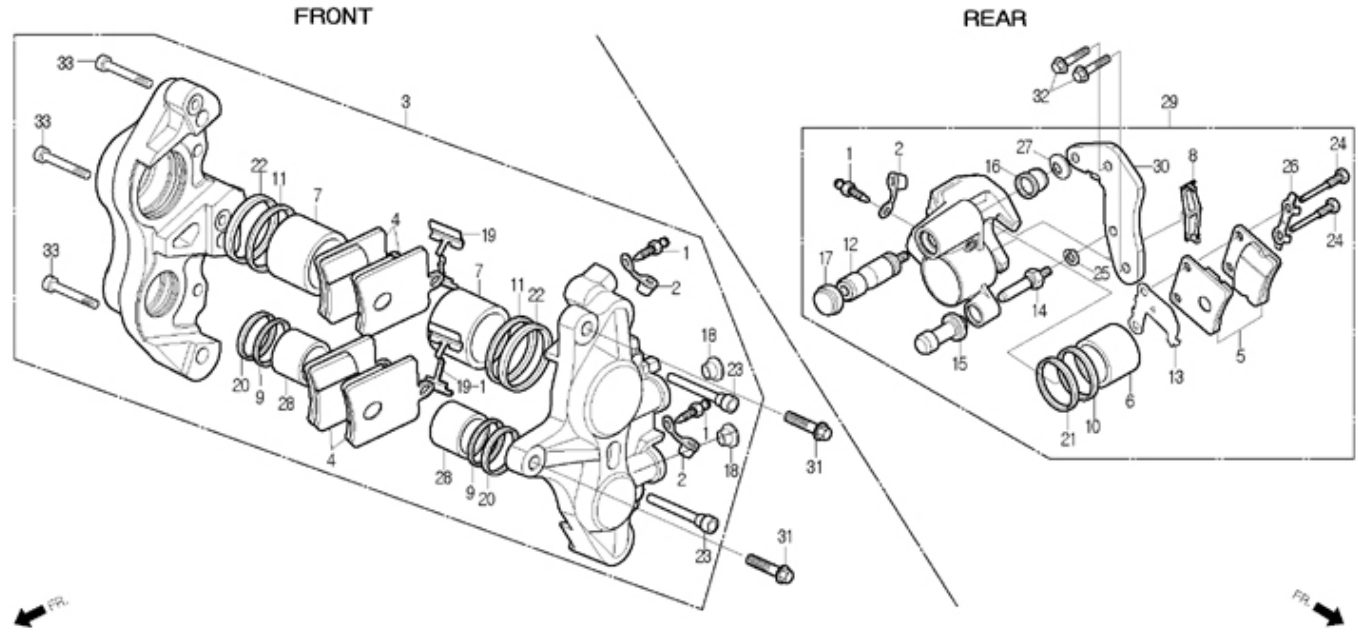
FRONT FORK



Service item	FRT	Ref. No.	Part No.	Description	QTY	A/S	Exch	Start Date	Start FRM.No	End FRM.No
FORK ASS'Y, FR. (ADD 0.1 FOR EACH)	0.7	1	51400-SA8-0010	FORK ASS'Y, RH.FR.	1	Y		20081219	KMYSA8BLS9C000001	
PIPE COMP., FR.FROK (ADD 0.4 FOR EACH)	0.9	2	51401-SA2-0000	SPRING, FR.CUSHION	2	N		20081219	KMYSA8BLS9C000001	
SEAL SET, FR.FORK (ADD 0.4 FOR EACH)	1.0	3	51410-SA8-0000	PIPE COMP., FR.FORK	2	Y		20081219	KMYSA8BLS9C000001	
CASE COMP., BOTTOM (ADD 0.5 FOR EACH)		4	51412-BA6-7310-M1	RING, BACK UP	2	N		20081219	KMYSA8BLS9C000001	
		5	51412-BA7-0000	SPRING, REBOUND	2	N		20081219	KMYSA8BLS9C000001	
		6	51420-SA8-0000	CASE COMP., RH.BOTTOM	1	N		20081219	KMYSA8BLS9C000001	
		7	51425-BA6-0130	SEAL, DUST	2	N		20081219	KMYSA8BLS9C000001	
		8	51432-BA6-9100	PIECE, OIL LOCK	2	N		20081219	KMYSA8BLS9C000001	
		9	51437-BA7-0030	RING, PISTON	2	N		20081219	KMYSA8BLS9C000001	
		10	51440-SA1-0000	SEAT, PIPE	2	N		20081219	KMYSA8BLS9C000001	
		11	51490-BA6-9100-S1	SEAL SET, FR.FORK	2	Y		20081219	KMYSA8BLS9C000001	
		12	51500-SA8-0010	FORK ASS'Y, LH.FR.	1	Y		20081219	KMYSA8BLS9C000001	
		13	51520-SA8-0000	CASE COMP., LH.BOTTOM	1	N		20081219	KMYSA8BLS9C000001	
		14	90116-BA6-7210-M1	BOLT, SOCKET 8mm	2	N		20081219	KMYSA8BLS9C000001	
		15	90123-SA1-0000	BOLT, FR.FORK	2	N		20081219	KMYSA8BLS9C000001	
		16	90544-HD2-0000	WASHER, SPECIAL 8mm	2	Y		20081219	KMYSA8BLS9C000001	
		17	90601-BA6-0030	RING, OIL SEAL STOP	2	N		20081219	KMYSA8BLS9C000001	
		18	91356-SE5-0030	O-RING 22x2.8	2	Y		20081219	KMYSA8BLS9C000001	

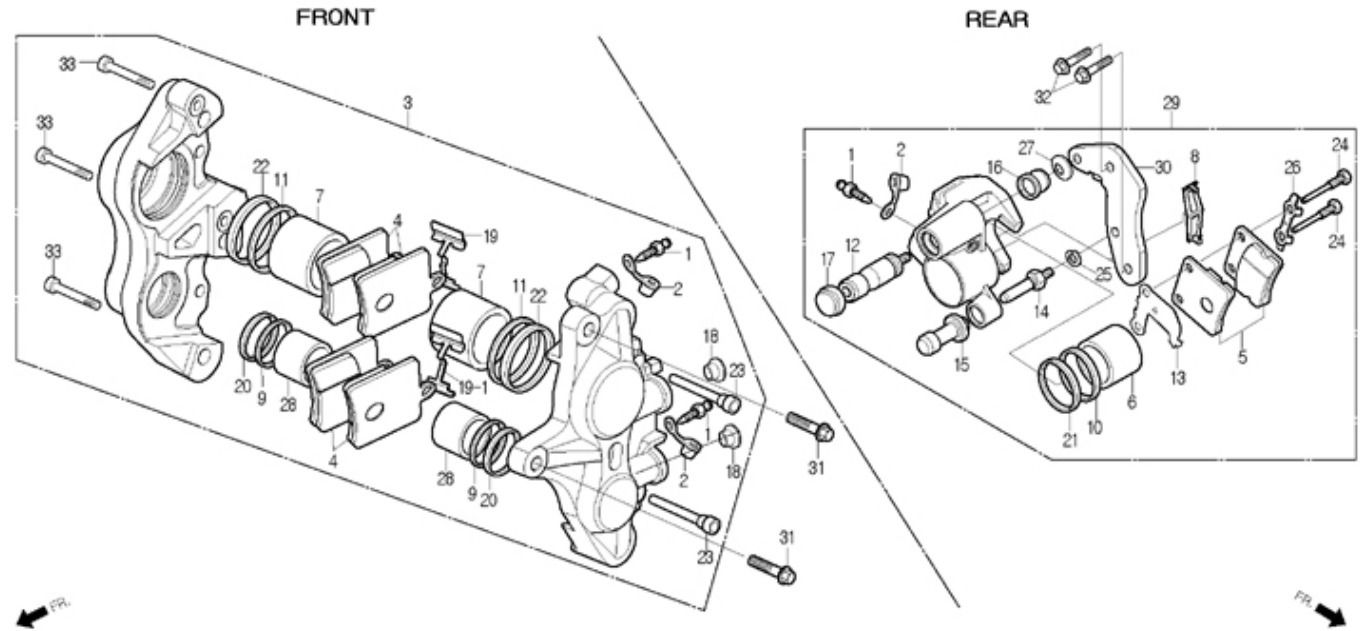
F-10

BRAKE CALIPER



Service item	FRT	Ref. No.	Part No.	Description	QTY	A/S	Exch	Start Date	Start FRM.No	End FRM.No
CALIPER ASS'Y, LH.FR	0.4	1	43352-SE6-9800	SCREW, BLEEDER	3	N		20081219	KMYSA8BLS9C000001	
PAD COMP.	0.2	2	43353-SE6-9800	CAP, BLEEDER	3	N		20081219	KMYSA8BLS9C000001	
BRACKET, CALIPER(FR.)	0.2	3	45100-SZ1-0100	CALIPER ASS'Y, LH.FR	1	Y		20081219	KMYSA8BLS9C000001	
PISTON(FR.)	0.5	4	45105-SZ1-0100	PAD COMP.	4	Y		20081219	KMYSA8BLS9C000001	
(ADD 0.1 FOR EACH)	0.5	5	45105-BA7-0000-EU	PAD COMP.	2	Y		20081219	KMYSA8BLS9C000001	
CALIPER ASS'Y, RR.BRAKE	0.3									
PAD COMP.	0.2	6	45107-BA6-0000	PISTON	1	N		20081219	KMYSA8BLS9C000001	
BRACKET, CALIPER(RR.)	0.5	7	45107-SZ1-0100	PISTON A	2	N		20081219	KMYSA8BLS9C000001	
PISTON(RR.)		8	45108-SE6-9800	SPRING, PAD	1	N		20081219	KMYSA8BLS9C000001	
		9	45109-BA5-9000	SEAL, DUST	2	N		20081219	KMYSA8BLS9C000001	
		10	45109-BA6-0000	SEAL, DUST	1	N		20081219	KMYSA8BLS9C000001	
		11	45109-BA6-1060	SEAL, DUST	2	N		20081219	KMYSA8BLS9C000001	
		12	45115-SE6-9800	PIN, SLIDE(DC)	1	N		20081219	KMYSA8BLS9C000001	
		13	45116-BA6-0000	SHIM, RH.(DC)	1	N		20081219	KMYSA8BLS9C000001	
		14	45131-SE6-9800	BOLT, PIN	1	N		20081219	KMYSA8BLS9C000001	
		15	45132-SE6-9800	BUSH, PIN	1	N		20081219	KMYSA8BLS9C000001	
		16	45133-SE6-9800	BOOT, PIN	1	N		20081219	KMYSA8BLS9C000001	
		17	45134-SE6-9800	PLUG, DUST	1	N		20081219	KMYSA8BLS9C000001	
		18	45204-BA6-0000	PLUG	2	N		20081219	KMYSA8BLS9C000001	
		19	45208-SZ1-0100-M4	SPRING, FR.PAD	1	N		20081219	KMYSA8BLS9C000001	
		19-1	45308-SZ1-0100-M4	SPRING, RR.PAD	1	N		20081219	KMYSA8BLS9C000001	
		20	45209-BA5-9000	SEAL, PISTON	2	N		20081219	KMYSA8BLS9C000001	

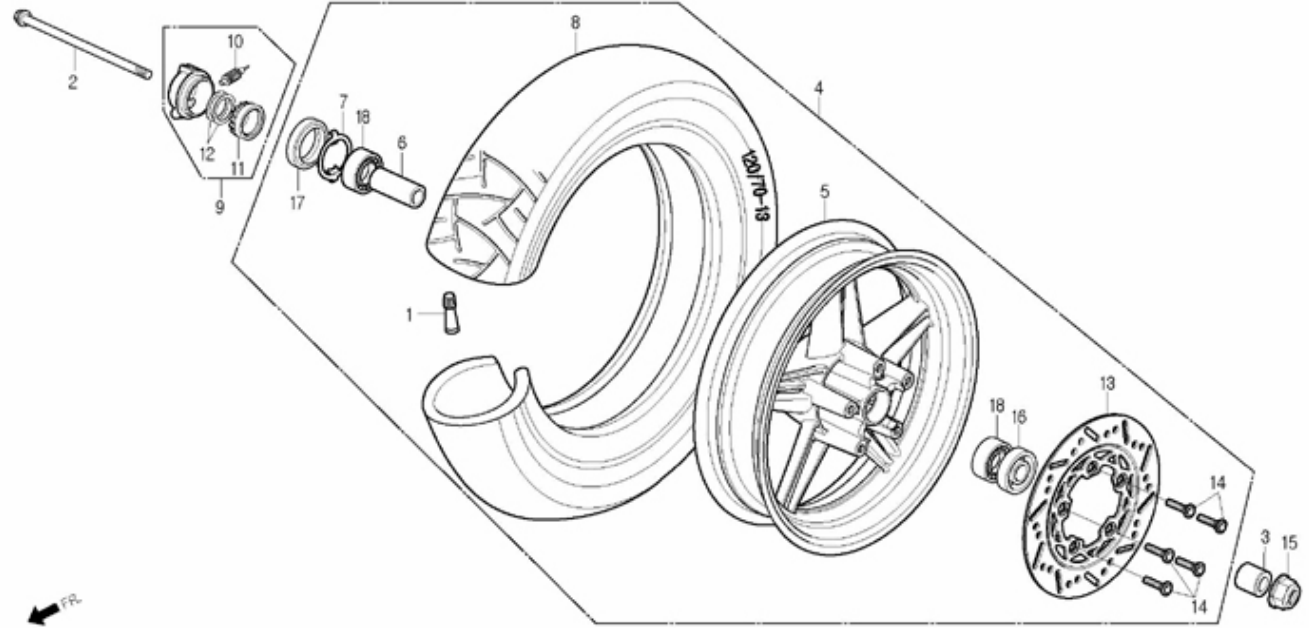
F-10
BRAKE CALIPER



Service item	FRT	Ref. No.	Part No.	Description	QTY	A/S	Exch	Start Date	Start FRM.No	End FRM.No
		21	45209-BA6-0000	SEAL, PISTON	1	N		20081219	KMYSA8BLS9C000001	
		22	45209-BA6-1060	SEAL, PISTON	2	N		20081219	KMYSA8BLS9C000001	
		23	45215-BA5-9000	PIN, HANGER	2	N		20081219	KMYSA8BLS9C000001	
		24	45215-BA6-0000	PIN, HANGER	2	N		20081219	KMYSA8BLS9C000001	
		25	45216-SE6-9800	WASHER, WAVE	1	N		20081219	KMYSA8BLS9C000001	
		26	45217-BA6-0000	WASHER, TONGUED	1	N		20081219	KMYSA8BLS9C000001	
		27	45218-SE6-9800	WASHER, CONICAL SPRING	1	N		20081219	KMYSA8BLS9C000001	
		28	45307-SZ1-0100	PISTON B	2	N		20081219	KMYSA8BLS9C000001	
		29	46200-SA8-0000	CALIPER ASS'Y, RR.	1	Y		20081219	KMYSA8BLS9C000001	
		30	46210-SA7-0000	BRACKET, RR.CALIPER	1	N		20081219	KMYSA8BLS9C000001	
		31	90101-BA5-0000	BOLT, SPECIAL FLANGE 8x32	2	Y		20081219	KMYSA8BLS9C000001	
		32	S5801-08025-08	BOLT, FLANGE 8x25	2	Y		20081219	KMYSA8BLS9C000001	
		33	S6700-08040-00	BOLT, SOCKET 8x40	3	N		20081219	KMYSA8BLS9C000001	

F-11

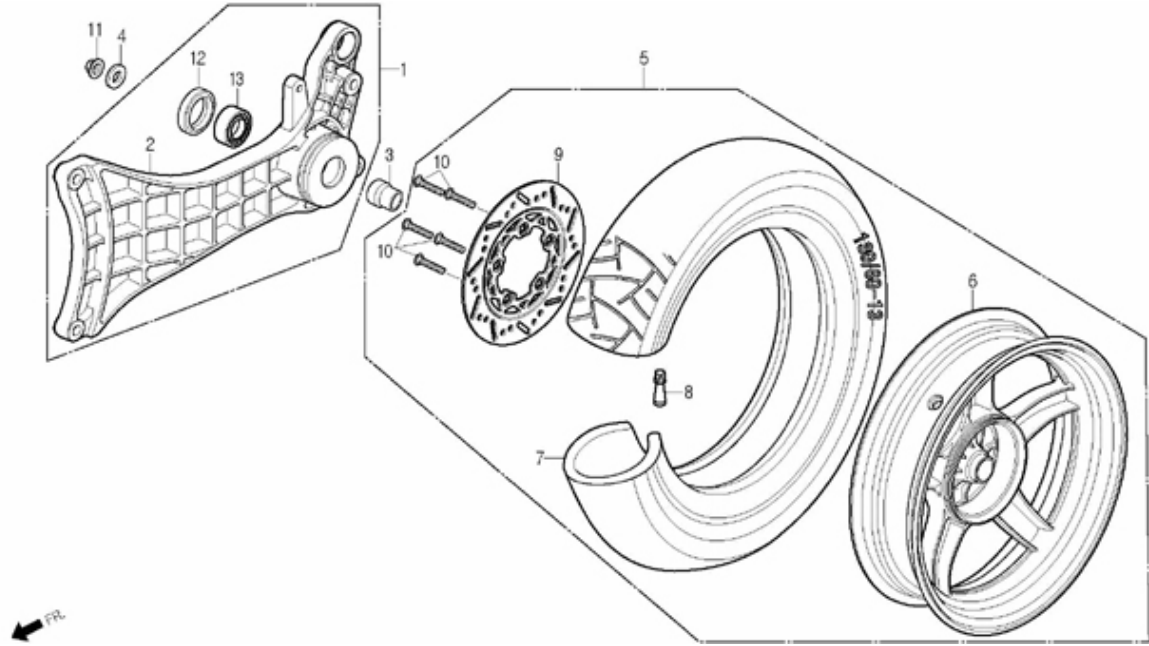
FRONT WHEEL



Service item	FRT	Ref. No.	Part No.	Description	QTY	A/S	Exch	Start Date	Start FRM.No	End FRM.No
AXLE, FR. WHEEL	0.2	1	42753-BA7-0000	VALVE, RIM TR 413	1	Y		20081219	KMYSA8BLS9C000001	
WHEEL, FR.CASTING	0.7	2	44301-SA1-0000	AXLE, FR. WHEEL	1	Y		20081219	KMYSA8BLS9C000001	
COLLAR, FR.DISTANCE	0.3	3	44311-CB3-1000	COLLAR, FRONT WHEEL SIDE	1	Y		20081219	KMYSA8BLS9C000001	
DISK, FR.BRAKE	0.6	4	44600-SA8-0000	WHEEL ASS'Y, FR.	1	N		20081219	KMYSA8BLS9C000001	
BEARING, RADIAL BALL 6301U (ADD 0.1 FOR EACH)	0.3	5	44601-SA8-0000-M1	WHEEL COMP., FR.CASTING	1	Y		20081219	KMYSA8BLS9C000001	
TIRE, FR.		6	44620-SA1-0000	COLLAR, FR.DISTANCE	1	Y		20081219	KMYSA8BLS9C000001	
GEAR BOX ASS'Y, SPEEDOMETER		7	44680-BA6-0100	RETAINER, GEAR BOX	1	Y		20081219	KMYSA8BLS9C000001	
		8	44711-SA7-0000-M1	TIRE, FR.	1	Y		20081219	KMYSA8BLS9C000001	
		9	44800-SA7-0000	GEAR BOX ASS'Y, SPEEDOMETER	1	Y		20081219	KMYSA8BLS9C000001	
		10	44805-SA7-0000	PINION, SPEEDOMETER	1	N		20081219	KMYSA8BLS9C000001	
		11	44806-SA7-0000	GEAR, SPEEDOMETER	1	N		20081219	KMYSA8BLS9C000001	
		12	44808-BA6-7010-Y1	WASHER, GEAR	2	N		20081219	KMYSA8BLS9C000001	
		13	45121-SA8-0000	DISK, FR.BRAKE	1	Y		20081219	KMYSA8BLS9C000001	
		14	90106-BA5-0000	BOLT, FR.DISK 8x24	5	Y		20081219	KMYSA8BLS9C000001	
		15	90306-CB3-0000	NUT, FLANGE 12mm	1	Y		20081219	KMYSA8BLS9C000001	
		16	91252-BA6-0030	SEAL, OIL 23x37x7	1	Y		20081219	KMYSA8BLS9C000001	
		17	91258-BA6-0060	DUST SEAL 40x50x5	1	Y		20081219	KMYSA8BLS9C000001	
		18	S6140-63010-10	BEARING, RADIAL BALL 6301U	2	Y		20081219	KMYSA8BLS9C000001	

F-12

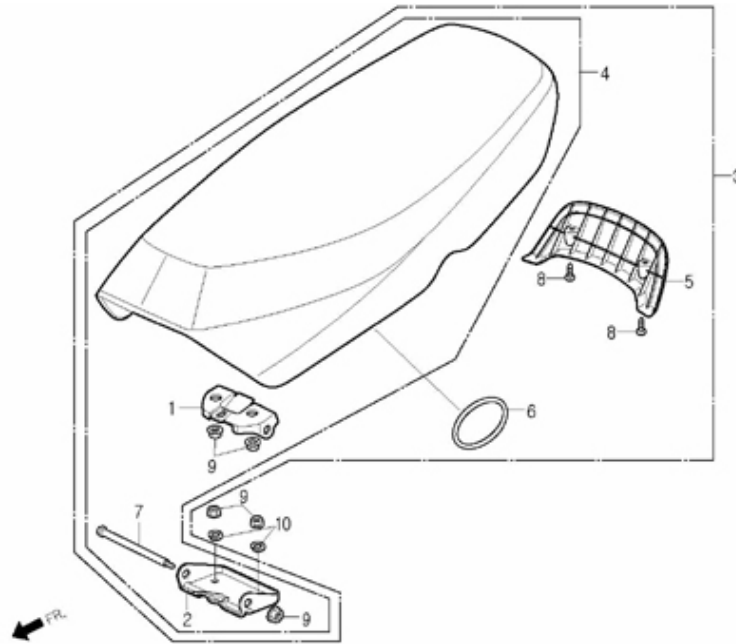
REAR WHEEL



Service item	FRT	Ref. No.	Part No.	Description	QTY	A/S	Exch	Start Date	Start FRM.No	End FRM.No
WHEEL, RR.CASTING TIRE, RR.	0.8	1	4230A-SA8-0000	ARM ASS'Y, RR.SWING	1	Y		20081219	KMYSA8BLS9C000001	
		2	42301-SA7-0010	ARM, RR.SWING	1	N		20081219	KMYSA8BLS9C000001	
		3	42304-SA2-0000	COLLAR, RR.WHEEL INSIDE	1	Y		20081219	KMYSA8BLS9C000001	
		4	42305-SA2-0000	COLLAR, RR.WHEEL OUTSIDE	1	Y		20081219	KMYSA8BLS9C000001	
		5	42600-SA8-0000	WHEEL ASS'Y, RR.	1	N		20081219	KMYSA8BLS9C000001	
		6	42601-SA8-0000-M1	WHEEL, RR.CASTING	1	Y		20081219	KMYSA8BLS9C000001	
		7	42711-SA7-0000-M1	TIRE, RR.	1	Y		20081219	KMYSA8BLS9C000001	
		8	42753-BA7-0000	VALVE, RIM TR 413	1	Y		20081219	KMYSA8BLS9C000001	
		9	45351-SA8-0000	DISK, RR.BRAKE	1	Y		20081219	KMYSA8BLS9C000001	
		10	90106-BA5-0000	BOLT, FR.DISK 8x24	5	Y		20081219	KMYSA8BLS9C000001	
		11	90305-SE5-0000	NUT, U 14mm	1	Y		20081219	KMYSA8BLS9C000001	
		12	91257-BA6-0030	OIL SEAL 28x42x7	1	N		20081219	KMYSA8BLS9C000001	
		13	S6150-63020-10	BEARING, RADIAL BALL 6302UU	1	N		20081219	KMYSA8BLS9C000001	

F-13

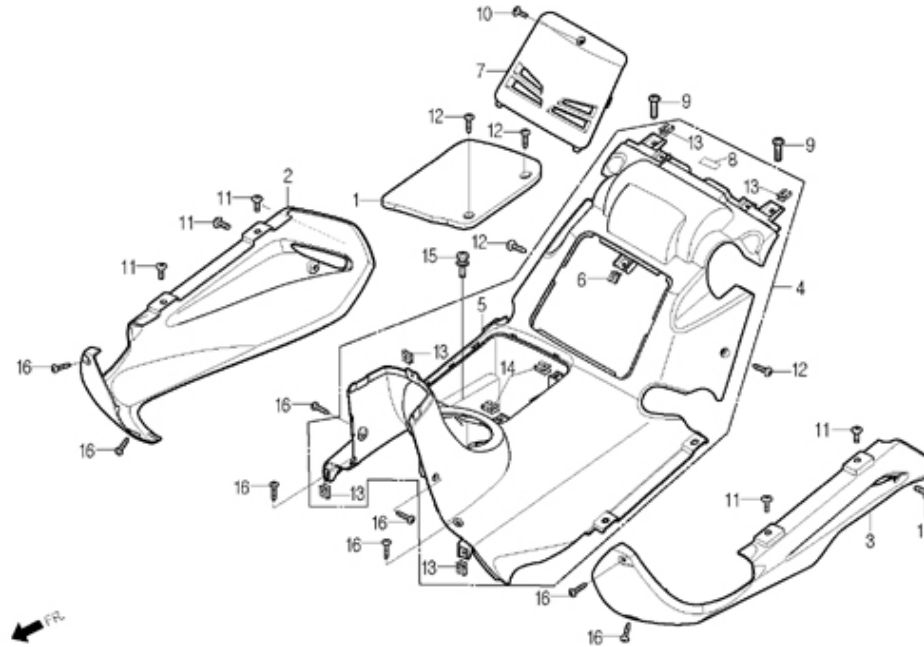
SEAT



Service item	FRT	Ref. No.	Part No.	Description	QTY	A/S	Exch	Start Date	Start FRM.No	End FRM.No
SEAT ASS'Y, DOUBLE	0.1	1	77101-SZ1-0000	HINGE A, SEAT	1	N		20081219	KMYSA8BLS9C000001	
		2	77112-SA8-0000	HINGE B, SEAT	1	N		20081219	KMYSA8BLS9C000001	
		3	7720A-SA8-K300	SEAT SET, DOUBLE	1	Y		20081219	KMYSA8BLS9C000001	
		4	77200-SA8-K300	SEAT ASS'Y, DOUBLE	1	Y		20081219	KMYSA8BLS9C000001	
		5	77207-SA8-0000	COVER, SEAT	1	Y		20081219	KMYSA8BLS9C000001	
		6	89016-BA6-0000	O-RING	1	N		20081219	KMYSA8BLS9C000001	
		7	90102-CB4-0000	BOLT, SEAT HINGE	1	N		20081219	KMYSA8BLS9C000001	
		8	S3903-25280	SCREW, TAPPING 5x12	2	N		20081219	KMYSA8BLS9C000001	
		9	S4050-06080	NUT, FLANGE 6mm	5	Y		20081219	KMYSA8BLS9C000001	
		10	S4111-06800	WASHER, SPRING 6mm	2	Y		20081219	KMYSA8BLS9C000001	

F-14

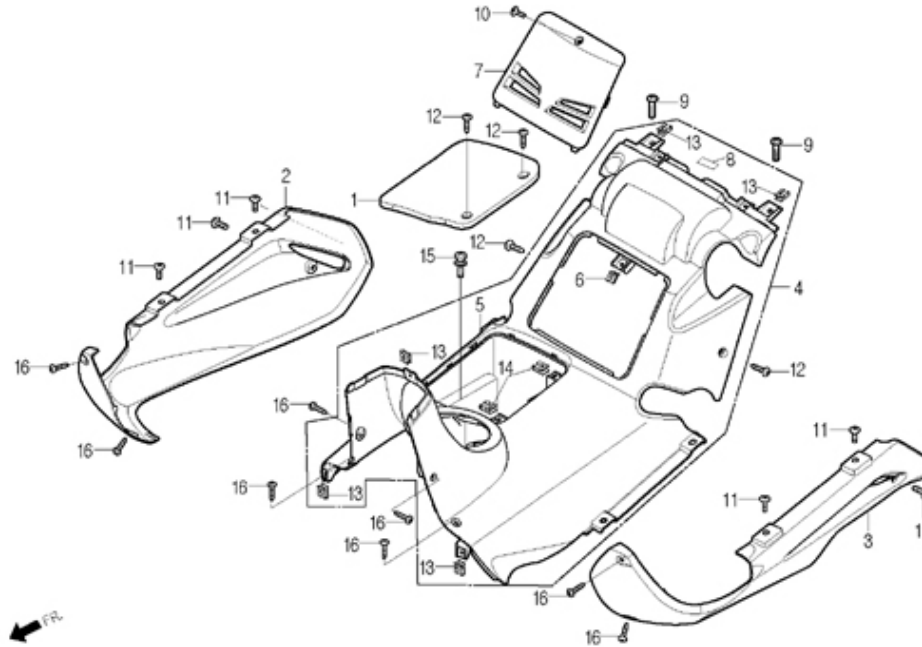
FLOOR SIDE COVER / FLOOR PANEL



Service item	FRT	Ref. No.	Part No.	Description	QTY	A/S	Exch	Start Date	Start FRM.No	End FRM.No
COVER, RH.FLOOR SIDE	0.1	1	50326-SA8-0000	COVER, BATTERY	1	Y		20081219	KMYSA8BLS9C000001	
COVER, LH.FLOOR SIDE	0.9	2	50613-SA8-0000-GB	COVER, RH.FLOOR SIDE(G/BLUE)	1	Y		20081219	KMYSA8BLS9C000001	
PANEL ASS'Y, FLOOR			50613-SA8-0000-LR	COVER, RH.FLOOR SIDE(L/RED)	1	Y		20081219	KMYSA8BLS9C000001	
			50613-SA8-0000-WE	COVER, RH.FLOOR SIDE(W/RED)	1	Y		20081219	KMYSA8BLS9C000001	
			50613-SA8-0000-WP	COVER, RH.FLOOR SIDE(P/WHITE)	1	Y		20081219	KMYSA8BLS9C000001	
		3	50614-SA8-0000-GB	COVER, LH.FLOOR SIDE(G/BLUE)	1	Y		20081219	KMYSA8BLS9C000001	
			50614-SA8-0000-LR	COVER, LH.FLOOR SIDE(L/RED)	1	Y		20081219	KMYSA8BLS9C000001	
			50614-SA8-0000-WE	COVER, LH.FLOOR SIDE(W/RED)	1	Y		20081219	KMYSA8BLS9C000001	
			50614-SA8-0000-WP	COVER, LH.FLOOR SIDE(P/WHITE)	1	Y		20081219	KMYSA8BLS9C000001	
		4	6431A-SA8-MA00	PANEL ASS'Y, FLOOR	1	Y		20081219	KMYSA8BLS9C000001	
			6431A-SA8-RB00	PANEL ASS'Y, FLOOR	1	Y		20081219	KMYSA8BLS9C000001	
			6431A-SA8-RC00	PANEL ASS'Y, FLOOR	1	Y		20081219	KMYSA8BLS9C000001	
			6431A-SA8-RE00	PANEL ASS'Y, FLOOR	1	Y		20081219	KMYSA8BLS9C000001	
			6431A-SA8-RJ00	PANEL ASS'Y, FLOOR	1	Y		20081219	KMYSA8BLS9C000001	
		5	64310-SA8-K300	PANEL, FLOOR	1	Y		20081219	KMYSA8BLS9C000001	
		6	64527-BA6-7000	NUT, CLIP 4mm	1	Y		20081219	KMYSA8BLS9C000001	
		7	81251-SA8-0010	COVER, SPARK PLUG MAINTENANCE	1	Y		20081219	KMYSA8BLS9C000001	
		8	87505-SA7-MA00	LABEL,TIRE	1	N		20081219	KMYSA8BLS9C000001	
			87505-SA7-RB00	LABEL,TIRE	1	N		20081219	KMYSA8BLS9C000001	
			87505-SA7-RC00	LABEL,TIRE	1	N		20081219	KMYSA8BLS9C000001	
			87505-SA7-RE00	LABEL,TIRE	1	N		20081219	KMYSA8BLS9C000001	
			87505-SA7-RJ00	LABEL,TIRE	1	N		20081219	KMYSA8BLS9C000001	
		9	90103-SA8-0000	SCREW, TORUS 6x12 (BLACK)	2	Y		20081219	KMYSA8BLS9C000001	

F-14

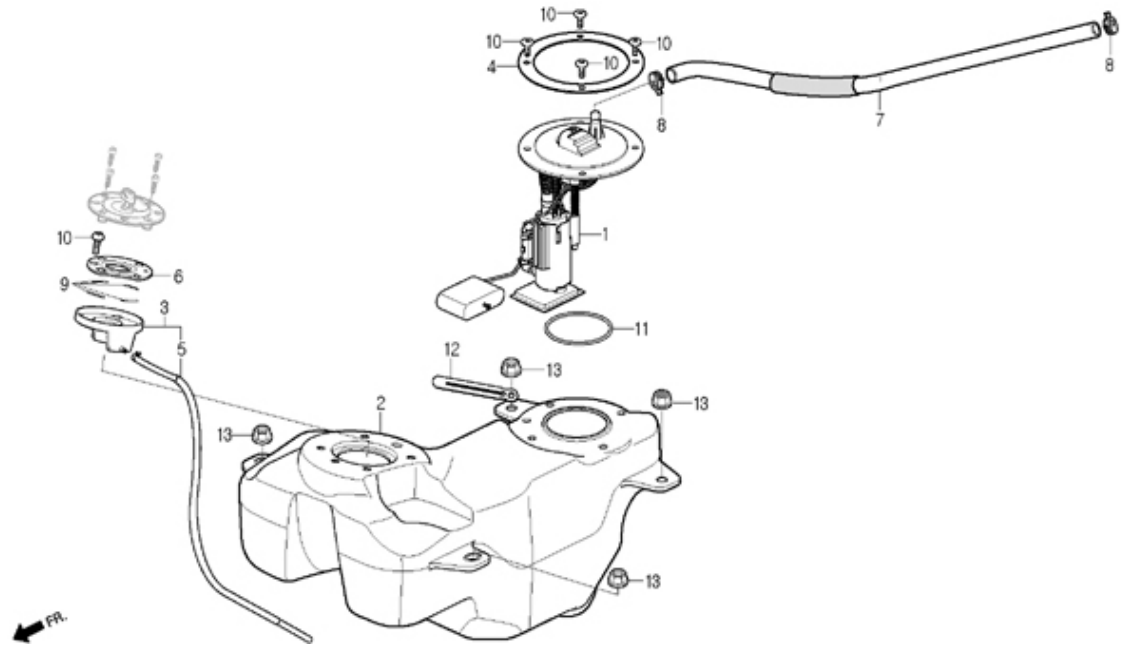
FLOOR SIDE COVER / FLOOR PANEL



Service item	FRT	Ref. No.	Part No.	Description	QTY	A/S	Exch	Start Date	Start FRM.No	End FRM.No
		10	90111-SA1-0000	SCREW, SPECIAL 4x14	1	Y		20081219	KMYSA8BLS9C000001	
		11	90192-SA8-0000	SCREW, SPECIAL 5x12	6	Y		20081219	KMYSA8BLS9C000001	
		12	90192-SE3-0000	SCREW, SPECIAL 5x14	4	Y		20081219	KMYSA8BLS9C000001	
		13	90302-SA4-0030	NUT, SPRING 4mm	5	Y		20081219	KMYSA8BLS9C000001	
		14	90677-SE5-0030	NUT, CLIP 5mm	2	Y		20081219	KMYSA8BLS9C000001	
		15	S3404-06016-08	BOLT, WASHER 6x16	1	Y		20081219	KMYSA8BLS9C000001	
		16	S3903-34380	SCREW, TAPPING 4x12	8	Y		20081219	KMYSA8BLS9C000001	

F-15

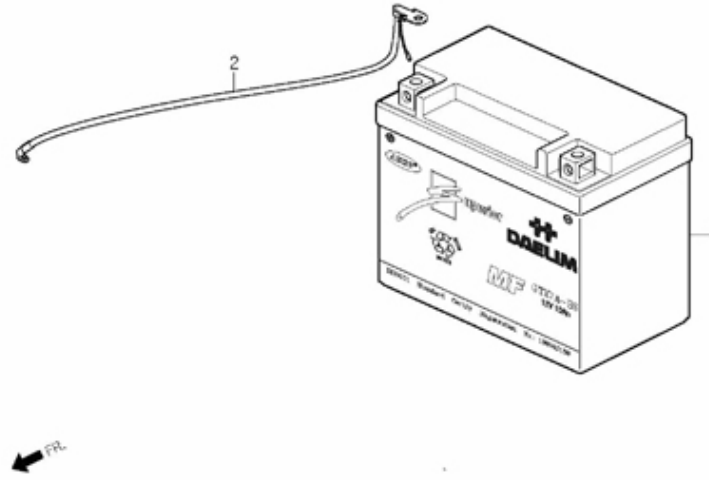
FUEL TANK



Service item	FRT	Ref. No.	Part No.	Description	QTY	A/S	Exch	Start Date	Start FRM.No	End FRM.No
STRAINER COMP., FUEL	0.2	1	16700-SA8-K300	PUMP ASS'Y, FUEL	1	Y		20081219	KMYSA8BLS9C000001	
TANK COMP., FUEL	1.0	2	17510-SA8-K300	TANK COMP., FUEL	1	Y		20081219	KMYSA8BLS9C000001	
FUEL GAGE ASS'Y	1.0	3	17513-SA8-0000	NECK ASS'Y, FUEL CAP	1	Y		20081219	KMYSA8BLS9C000001	
FUEL PUMP	0.7	4	17514-SA4-R300	PLATE, FUEL PUMP SETTING	1	Y		20081219	KMYSA8BLS9C000001	
		5	17514-SA8-0000	VINYL TUBE 6x9x310	1	N		20081219	KMYSA8BLS9C000001	
		6	17614-BA4-0000	SEALING RUBBER, TANK	1	Y		20081219	KMYSA8BLS9C000001	
		7	17636-SA8-K300	HOSE, FUEL	1	Y		20081219	KMYSA8BLS9C000001	
		8	17637-BA1-R300	CLIP, HOSE	2	Y		20081219	KMYSA8BLS9C000001	
		9	64209-BA4-0000	RUBBER, FUEL NECK CAP SEAL	4	Y		20081219	KMYSA8BLS9C000001	
		10	90192-SB1-0000	SCREW, SPECIAL 5x12	5	Y		20081219	KMYSA8BLS9C000001	
		11	91305-SA4-R300	O-RING(67x5)	1	Y		20081219	KMYSA8BLS9C000001	
		12	91411-BA6-9600	CLIP, 2X90	1	Y		20081219	KMYSA8BLS9C000001	
		13	S4050-06080	NUT, FLANGE 6mm	4	Y		20081219	KMYSA8BLS9C000001	

F-16

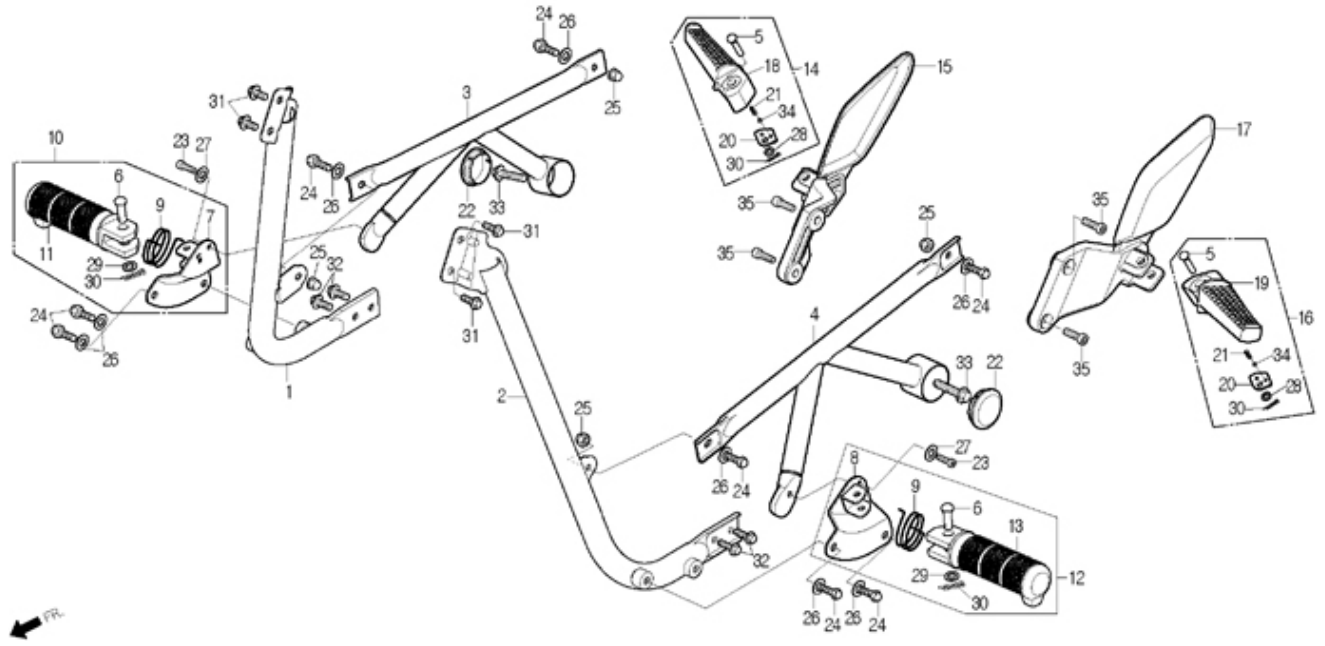
BATTERY



Service item	FRT	Ref. No.	Part No.	Description	QTY	A/S	Exch	Start Date	Start FRM.No	End FRM.No
BATTERY	0.3	1	31500-BA4-0000-M1	BATTERY, 12V 10AH(MF)	1	Y		20081219	KMYSA8BLS9C000001	
		2	3260A-SA8-0000	CABLE ASS'Y, BATTERY EARTH	1	Y		20081219	KMYSA8BLS9C000001	

F-17

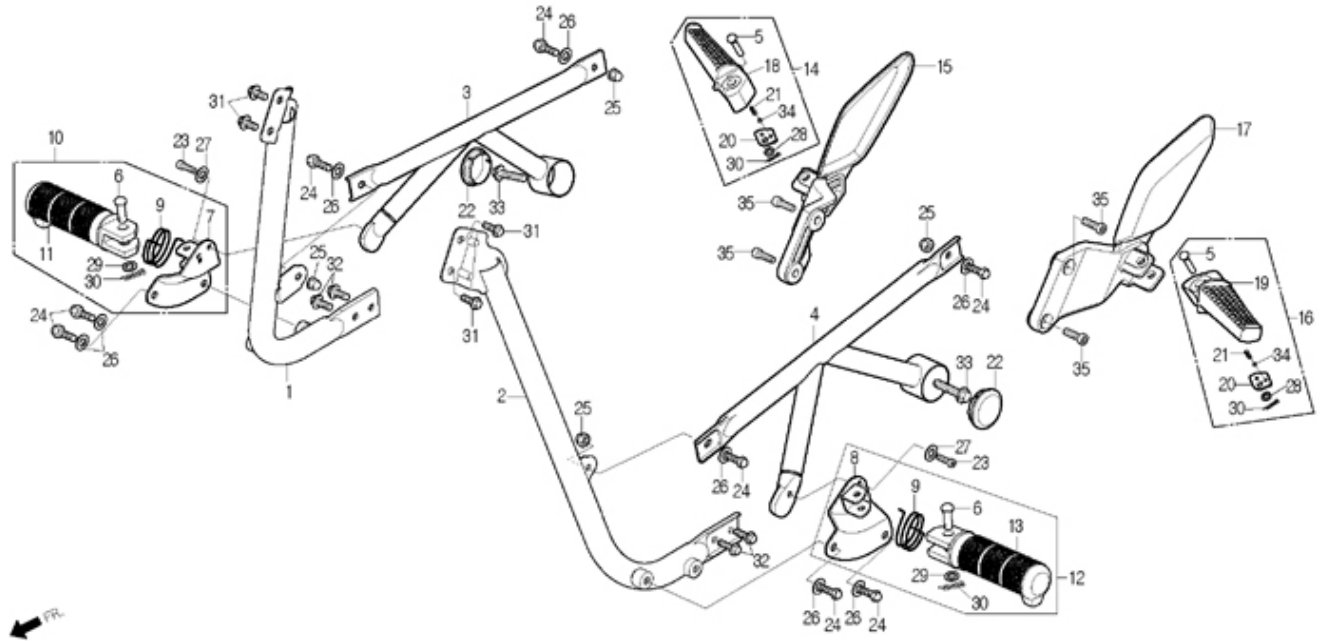
STEP / TRUSS PIPE / CRADLE PIPE



Service item	FRT	Ref. No.	Part No.	Description	QTY	A/S	Exch	Start Date	Start FRM.No	End FRM.No
PIPE COMP., RH.CRADLE	0.3	1	50211-SA8-0000-LR	PIPE COMP., RH.CRADLE(L/RED)	1	Y		20081219	KMYSA8BLS9C000001	
PIPE COMP., LH.CRADLE	0.3		50211-SA8-0000-MK	PIPE COMP., RH.CRADLE(M/BLACK)	1	Y		20081219	KMYSA8BLS9C000001	
BAR, RH.PILLION STEP	0.3		50211-SA8-0000-WP	PIPE COMP., RH.CRADLE(P/WHITE)	1	Y		20081219	KMYSA8BLS9C000001	
BAR, LH.PILLION STEP	0.3	2	50212-SA8-0000-LR	PIPE COMP., LH.CRADLE(L/RED)	1	Y		20081219	KMYSA8BLS9C000001	
PIPE COMP., RH.TRUSS	0.3		50212-SA8-0000-MK	PIPE COMP., LH.CRADLE(M/BLACK)	1	Y		20081219	KMYSA8BLS9C000001	
PIPE COMP., LH.TRUSS	0.3		50212-SA8-0000-WP	PIPE COMP., LH.CRADLE(P/WHITE)	1	Y		20081219	KMYSA8BLS9C000001	
		3	50291-SA8-0000-LR	PIPE COMP., RH.TRUSS(L/RED)	1	Y		20081219	KMYSA8BLS9C000001	
			50291-SA8-0000-MK	PIPE COMP., RH.TRUSS(M/BLACK)	1	Y		20081219	KMYSA8BLS9C000001	
			50291-SA8-0000-WP	PIPE COMP., RH.TRUSS(P/WHITE)	1	Y		20081219	KMYSA8BLS9C000001	
		4	50292-SA8-0000-LR	PIPE COMP., LH.TRUSS(L/RED)	1	Y		20081219	KMYSA8BLS9C000001	
			50292-SA8-0000-MK	PIPE COMP., LH.TRUSS(M/BLACK)	1	Y		20081219	KMYSA8BLS9C000001	
			50292-SA8-0000-WP	PIPE COMP., LH.TRUSS(P/WHITE)	1	Y		20081219	KMYSA8BLS9C000001	
		5	50603-BA4-0000	PIN, MAIN STEP BAR JOINT	2	Y		20081219	KMYSA8BLS9C000001	
		6	50603-HD2-0000	PIN, MAIN STEP BAR JOINT	2	Y		20081219	KMYSA8BLS9C000001	
		7	50611-SA8-0010	PLATE, RH.MAIN STEP	1	N		20081219	KMYSA8BLS9C000001	
		8	50612-SA8-0010	PLATE, LH.MAIN STEP	1	N		20081219	KMYSA8BLS9C000001	
		9	50619-SA8-0000	SPRING, STEP RETURN	2	N		20081219	KMYSA8BLS9C000001	
		10	5063A-SA8-0020	SET, RH.MAIN STEP BAR	1	Y		20081219	KMYSA8BLS9C000001	
		11	50630-SA8-0010	BAR, RH.MAIN STEP	1	N		20081219	KMYSA8BLS9C000001	
		12	5064A-SA8-0020	SET, LH.MAIN STEP BAR	1	Y		20081219	KMYSA8BLS9C000001	
		13	50640-SA8-0010	BAR, LH.MAIN STEP	1	N		20081219	KMYSA8BLS9C000001	
		14	5071A-BA4-0000	BAR ASS'Y, RH.PILLION STEP	1	Y		20081219	KMYSA8BLS9C000001	

F-17

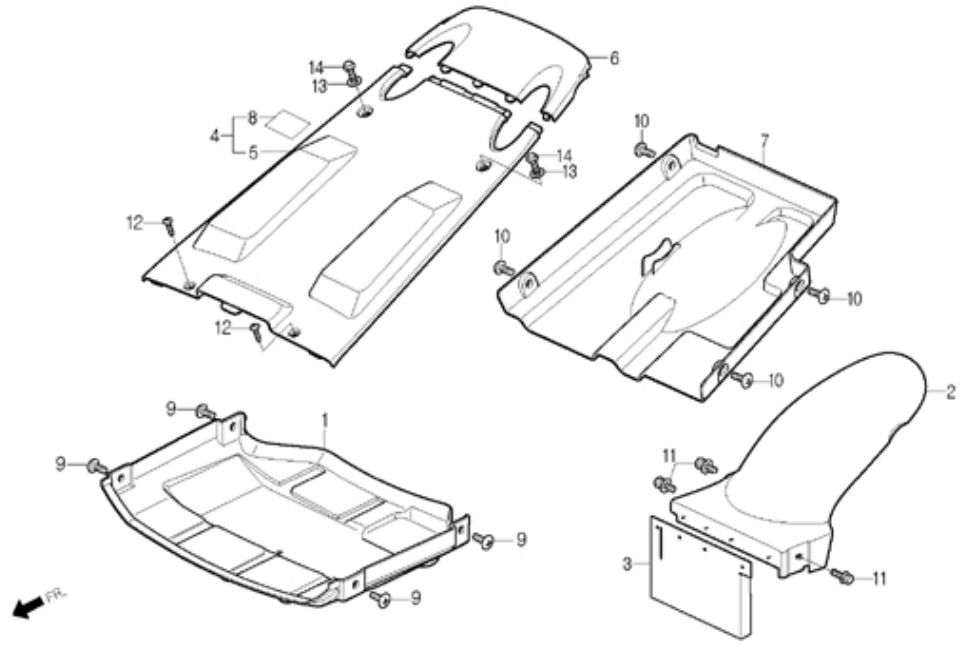
STEP / TRUSS PIPE / CRADLE PIPE



Service item	FRT	Ref. No.	Part No.	Description	QTY	A/S	Exch	Start Date	Start FRM.No	End FRM.No
		15	50711-SA8-0000	HOLDER, RH.PILLION STEP	1	Y		20081219	KMYSA8BLS9C000001	
		16	5072A-BA4-0000	BAR ASS'Y, LH.PILLION STEP	1	Y		20081219	KMYSA8BLS9C000001	
		17	50721-SA8-0000	HOLDER, LH.PILLION STEP	1	Y		20081219	KMYSA8BLS9C000001	
		18	50812-SE1-0000	BAR, RH.PILLION STEP	1	N		20081219	KMYSA8BLS9C000001	
		19	50813-SE1-0000	BAR, LH.PILLION STEP	1	N		20081219	KMYSA8BLS9C000001	
		20	50814-BA4-0000	PLATE, PILLION STEP	2	Y		20081219	KMYSA8BLS9C000001	
		21	50815-SE1-0000	SPRING, PILLION STEP	2	Y		20081219	KMYSA8BLS9C000001	
		22	81402-SA8-0000	CAP B, BAR END	2	Y		20081219	KMYSA8BLS9C000001	
		23	90010-BA4-0000	BOLT, SOCKET 6x16	2	Y		20081219	KMYSA8BLS9C000001	
		24	90107-BA1-0010	BOLT, CAP 8x16	8	Y		20081219	KMYSA8BLS9C000001	
		25	90208-BA7-0000	NUT, FLANGE CAP 8mm	4	Y		20081219	KMYSA8BLS9C000001	
		26	90485-SA8-0000	WASHER 8mm	8	Y		20081219	KMYSA8BLS9C000001	
		27	S4101-06000	WASHER, PLAIN 6mm	2	Y		20081219	KMYSA8BLS9C000001	
		28	S4102-08000	WASHER, PLAIN 8mm	2	N		20081219	KMYSA8BLS9C000001	
		29	S4102-08800	WASHER, PLAIN 8mm	2	N		20081219	KMYSA8BLS9C000001	
		30	S4201-16150	PIN, SPLIT 1.4x15	4	N		20081219	KMYSA8BLS9C000001	
		31	S5701-08012-08	BOLT, FLANGE 8x12	4	Y		20081219	KMYSA8BLS9C000001	
		32	S5701-08016-08	BOLT, FLANGE 8x16	4	Y		20081219	KMYSA8BLS9C000001	
		33	S5801-10035-08	BOLT, FLANGE 10x35	2	Y		20081219	KMYSA8BLS9C000001	
		34	S6211-08000	BALL, STEEL #8	2	Y		20081219	KMYSA8BLS9C000001	
		35	S6700-08025-00	BOLT, SOCKET 8x25	4	Y		20081219	KMYSA8BLS9C000001	

F-18

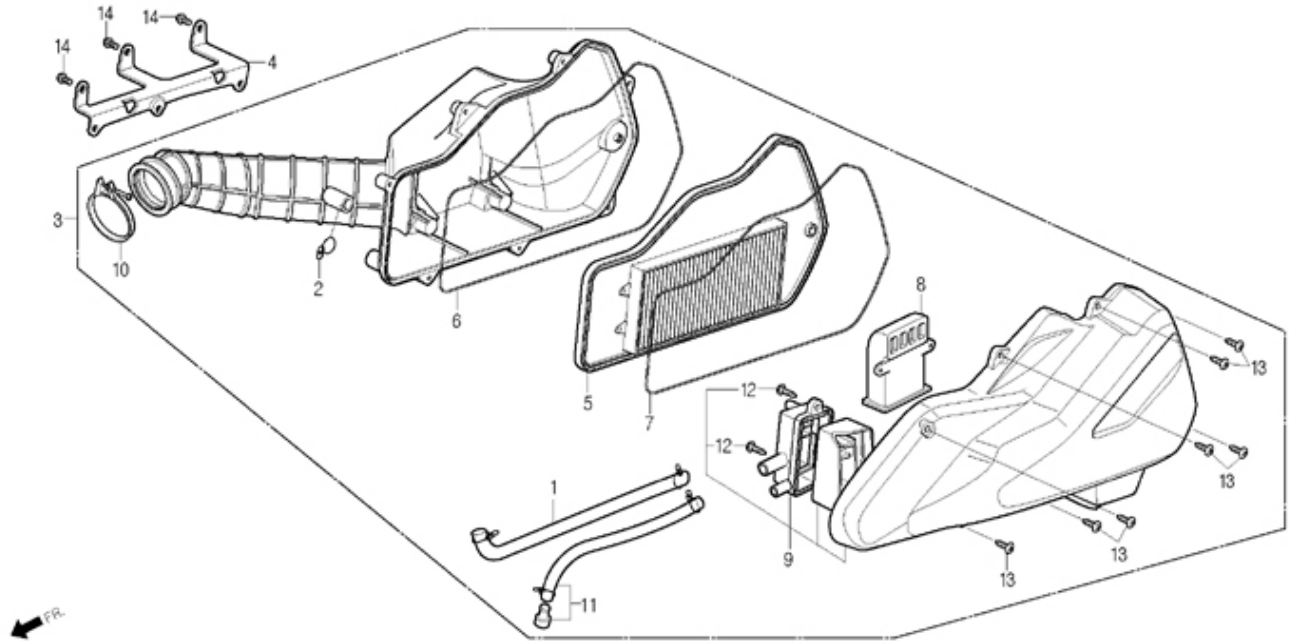
CENTER COVER / UNDER COVER



Service item	FRT	Ref. No.	Part No.	Description	QTY	A/S	Exch	Start Date	Start FRM.No	End FRM.No
COVER, CENTER	0.3	1	50621-SA8-K300	COVER, UNDER	1	Y		20081219	KMYSA8BLS9C000001	
COVER, UNDER	0.3	2	61120-SA1-0100	MUDGUARD, RR.WHEEL	1	Y		20081219	KMYSA8BLS9C000001	
(ADD 0.1 FOR EACH)		3	80104-SA1-0000	PLATE, SPLASH GUARD	1	Y		20081219	KMYSA8BLS9C000001	
COVER, RR.UPPER		4	8015A-SA8-RZ00	COVER SET, CENTER	1	Y		20081219	KMYSA8BLS9C000001	
COVER, RR.UNDER		5	80151-SA8-0000	COVER, CENTER	1	N		20081219	KMYSA8BLS9C000001	
		6	83502-SA8-0010	COVER, RR.UPPER	1	Y		20081219	KMYSA8BLS9C000001	
		7	83503-SA8-0000	COVER, RR.UNDER	1	Y		20081219	KMYSA8BLS9C000001	
		8	87565-SA8-RZ00	CONTROL LABEL, ANTI TAMPERING	1	N		20081219	KMYSA8BLS9C000001	
		9	90192-SB1-0000	SCREW, SPECIAL 5x12	4	Y		20081219	KMYSA8BLS9C000001	
		10	90192-SE3-0000	SCREW, SPECIAL 5x14	4	Y		20081219	KMYSA8BLS9C000001	
		11	S3404-06016-07	BOLT, WASHER 6x16	3	Y		20081219	KMYSA8BLS9C000001	
		12	S3903-34320	SCREW, TAPPING 4x12	2	Y		20081219	KMYSA8BLS9C000001	
		13	S4101-06800	WASHER, PLAIN 6mm	2	Y		20081219	KMYSA8BLS9C000001	
		14	S5701-06012-07	BOLT, FLANGE 6x12	2	Y		20081219	KMYSA8BLS9C000001	

F-19

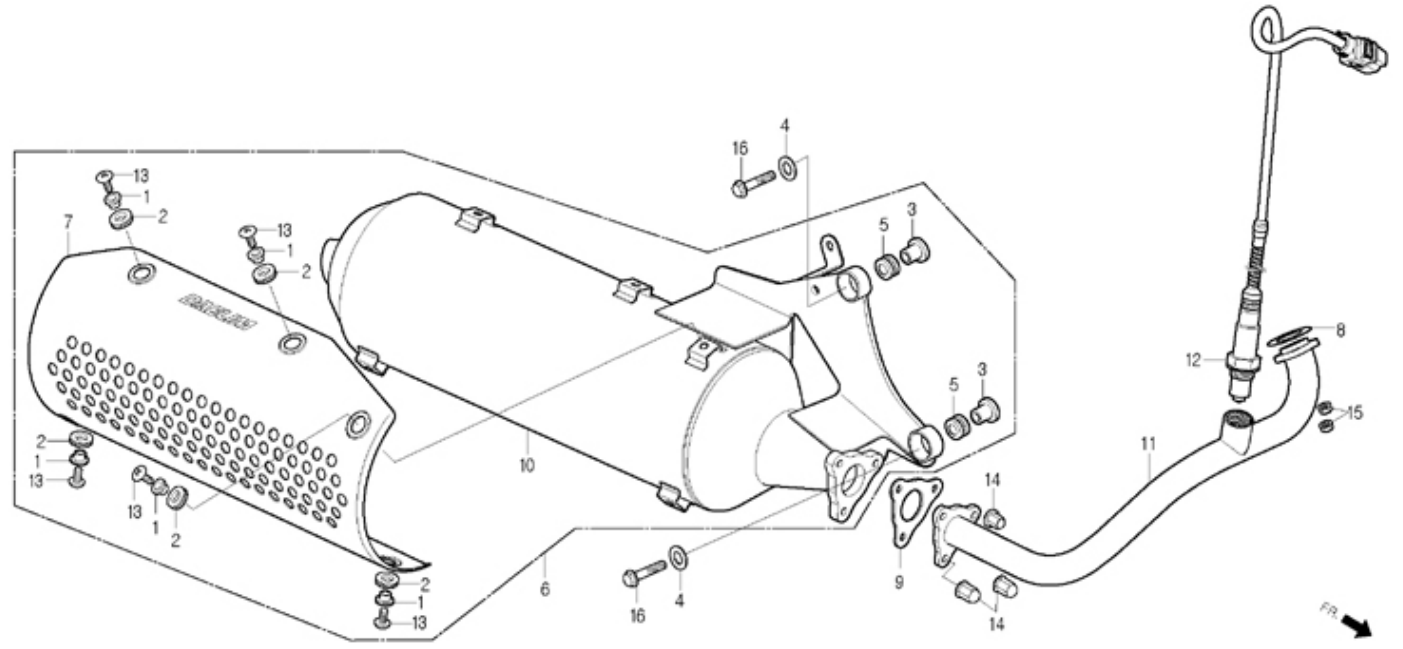
AIR CLEANER



Service item	FRT	Ref. No.	Part No.	Description	QTY	A/S	Exch	Start Date	Start FRM.No	End FRM.No
CLEANER ASS'Y, AIR	0.5	1	1122B-SA7-0000	TUBE B ASS'Y, BREATHER	1	Y		20081219	KMYSA8BLS9C000001	
ELEMENT COMP., AIR CLEANER	0.3	2	15772-BA7-0100	CLIP, BREATHER TUBE	1	Y		20081219	KMYSA8BLS9C000001	
COVER COMP., AIR CLEANER CASE	0.2	3	17200-SA8-K300	CLEANER ASS'Y, AIR	1	Y		20081219	KMYSA8BLS9C000001	
		4	17208-SA7-0000	STAY COMP., AIR CLEANER	1	Y		20081219	KMYSA8BLS9C000001	
		5	17211-SA7-0000	ELEMENT COMP., AIR CLEANER	1	Y		20081219	KMYSA8BLS9C000001	
		6	17212-SA8-0000	SEAL, AIR CLEANER CASE	1	N		20081219	KMYSA8BLS9C000001	
		7	17213-SA8-0000	SEAL, AIR CLEANER COVER	1	N		20081219	KMYSA8BLS9C000001	
		8	17215-SA7-0000	DUCT, AIR CLEANER	1	N		20081219	KMYSA8BLS9C000001	
		9	17230-SA8-0000	COVER COMP., AIR CLEANER CASE	1	N		20081219	KMYSA8BLS9C000001	
		10	17256-SZ1-0000	BAND 50, AIR/C CONN.TUBE	1	Y		20081219	KMYSA8BLS9C000001	
		11	1737A-SA8-0000	TUBE ASS'Y, DRAIN	1	Y		20081219	KMYSA8BLS9C000001	
		12	S3903-45320	SCREW, TAPPING 5x16	2	N		20081219	KMYSA8BLS9C000001	
		13	S3903-45580	SCREW, TAPPING 5x25	7	Y		20081219	KMYSA8BLS9C000001	
		14	S5701-06012-07	BOLT, FLANGE 6x12	3	Y		20081219	KMYSA8BLS9C000001	

F-20

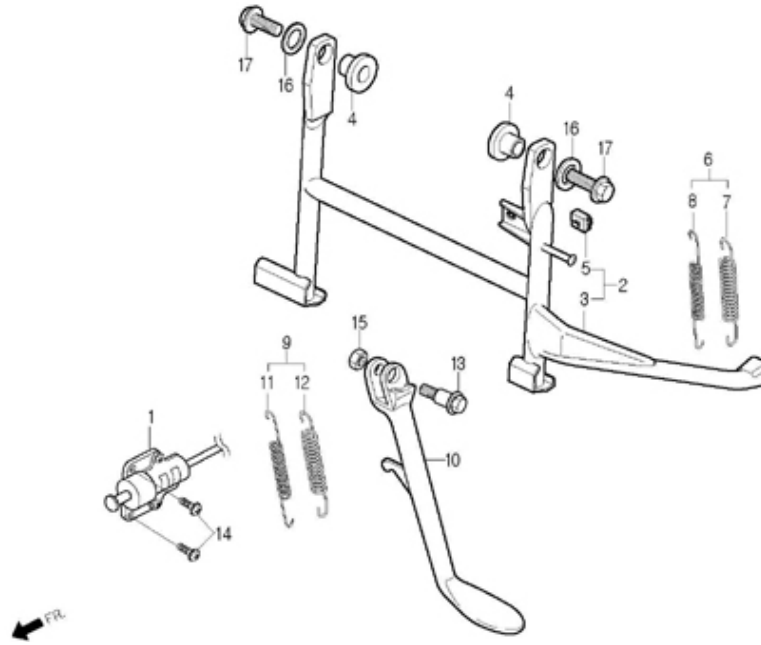
EXHAUST MUFFLER



Service item	FRT	Ref. No.	Part No.	Description	QTY	A/S	Exch	Start Date	Start FRM.No	End FRM.No
MUFFLER COMP.	0.3	1	18201-SA1-0000	COLLAR, MUFFLER PROTECTOR	5	Y		20081219	KMYSA8BLS9C000001	
PROTECTOR, MUFFLER	0.1	2	18202-SA1-0000	RUBBER, PROTECTOR	5	Y		20081219	KMYSA8BLS9C000001	
PIPE COMP., EXHAUST	0.3	3	18203-SA1-0000	COLLAR, MUFFLER MOUNT	2	Y		20081219	KMYSA8BLS9C000001	
WASHER, EXHAUST PIPE		4	18204-SA1-0000	WASHER, MUFFLER MOUNT	2	Y		20081219	KMYSA8BLS9C000001	
RUBBER, EXHAUST PIPE		5	18205-SA1-0000	RUBBER, MUFFLER MOUNT	2	Y		20081219	KMYSA8BLS9C000001	
		6	18210-SA8-RZ00	MUFFLER SUB ASS'Y	1	Y		20081219	KMYSA8BLS9C000001	
		7	18240-SA8-0000	PROTECTOR, MUFFLER	1	Y		20081219	KMYSA8BLS9C000001	
		8	18291-CB2-RB00	GASKET, EXHAUST PIPE	1	Y		20081219	KMYSA8BLS9C000001	
		9	18292-SA4-0000	GASKET, EXHAUST PIPE FLANGE	1	Y		20081219	KMYSA8BLS9C000001	
		10	18310-SA8-R300	MUFFLER COMP.	1	N		20081219	KMYSA8BLS9C000001	
		11	18320-SA7-R300	PIPE COMP., EXHAUST	1	Y		20081219	KMYSA8BLS9C000001	
		12	18410-BA1-R300-M1	SENSOR, OXYGEN	1	Y		20081219	KMYSA8BLS9C000001	
		13	90002-SA1-0000	SCREW., TORUS WASHER 6x13	5	N		20081219	KMYSA8BLS9C000001	
		14	90304-BA7-0000	NUT, HEX CAP 6mm	3	Y		20081219	KMYSA8BLS9C000001	
		15	S4050-06080	NUT, FLANGE 6mm	2	Y		20081219	KMYSA8BLS9C000001	
		16	S5801-08055-07	BOLT, FLANGE 8x55	2	Y		20081219	KMYSA8BLS9C000001	

F-21

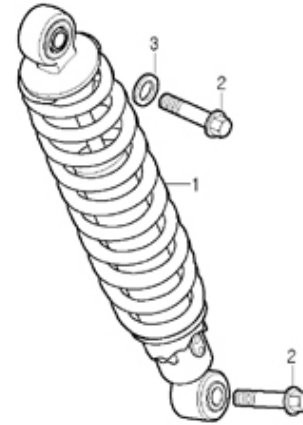
STAND



Service item	FRT	Ref. No.	Part No.	Description	QTY	A/S	Exch	Start Date	Start FRM.No	End FRM.No
STAND COMP., MAIN	0.3	1	35700-BA6-0000-M2	SWITCH ASS'Y, SIDE STAND(AOLI)	1	Y		20081219	KMYSA8BLS9C000001	
BAR COMP., SIDE STAND	0.2	2	5050A-SA8-K300	STAND ASS'Y, MAIN	1	Y		20081219	KMYSA8BLS9C000001	
		3	50500-SA8-K300	STAND COMP., MAIN	1	N		20081219	KMYSA8BLS9C000001	
		4	50504-SA1-0000	COLLAR, MAIN STAND	2	Y		20081219	KMYSA8BLS9C000001	
		5	50505-SE5-0000	STOPPER RUBBER, STAND	1	Y		20081219	KMYSA8BLS9C000001	
		6	5052A-SE5-5000-EU	SPRING SET, MAIN STAND	1	Y		20081219	KMYSA8BLS9C000001	
		7	50520-SE5-5000-EU	SPRING, MAIN STAND OUTER	1	N		20081219	KMYSA8BLS9C000001	
		8	50521-SE5-5000-EU	SPRING, MAIN STAND INNER	1	N		20081219	KMYSA8BLS9C000001	
		9	5053A-SE1-RB00	SPRING SET, SIDE STAND	1	Y		20081219	KMYSA8BLS9C000001	
		10	50530-SA8-0000	BAR COMP., SIDE STAND	1	Y		20081219	KMYSA8BLS9C000001	
		11	50532-SE1-RB00	SPRING, SIDE STAND INNER	1	N		20081219	KMYSA8BLS9C000001	
		12	50533-SE1-RB00	SPRING, SIDE STAND OUTER	1	N		20081219	KMYSA8BLS9C000001	
		13	90108-BA7-7400	SCREW, SIDE STAND PIVOT	1	Y		20081219	KMYSA8BLS9C000001	
		14	S3892-05016-08	SCREW, WASHER 5x16	2	Y		20081219	KMYSA8BLS9C000001	
		15	S4001-10080-0S	NUT, HEX 10mm	1	Y		20081219	KMYSA8BLS9C000001	
		16	S4101-10800	WASHER, PLAIN 10mm	2	Y		20081219	KMYSA8BLS9C000001	
		17	S5801-10035-08	BOLT, FLANGE 10x35	2	Y		20081219	KMYSA8BLS9C000001	

F-22

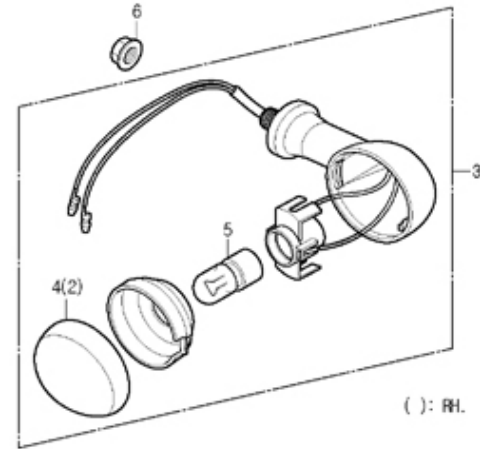
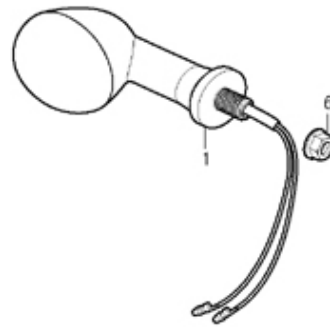
REAR CUSHION



Service item	FRT	Ref. No.	Part No.	Description	QTY	A/S	Exch	Start Date	Start FRM.No	End FRM.No
CUSHION ASS'Y, RR.	0.4	1	52400-SA8-K300	CUSHION ASS'Y, RR.(wire D 7.5)	1	Y		20081219	KMYSA8BLS9C000001	
		2	90108-SA8-0000	BOLT, RR.CUSHION UNDER	2	Y		20081219	KMYSA8BLS9C000001	
		3	S4101-10700	WASHER, PLAIN 10mm	1	Y		20081219	KMYSA8BLS9C000001	

F-23

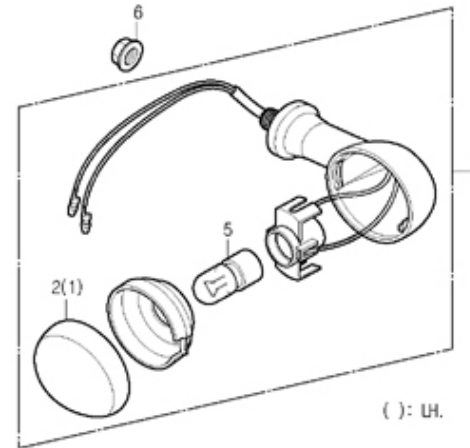
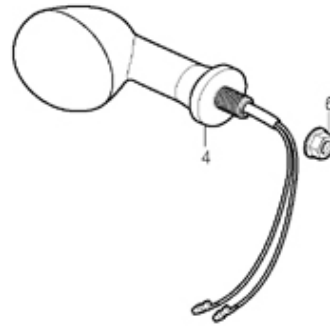
FRONT WINKER



Service item	FRT	Ref. No.	Part No.	Description	QTY	A/S	Exch	Start Date	Start FRM.No	End FRM.No
WINKER ASS'Y, FR. (ADD 0.1 FOR EACH) (INCLUDE RELATIVE PARTS) BULB, WINKER (ONE OR ALL)	0.3	1	33400-SA8-0000	WINKER ASS'Y, RH.FR.	1	Y		20081219	KMYSA8BLS9C000001	
	0.2	2	33402-SA8-0000	LENS, RH.FR.WINKER	1	N		20081219	KMYSA8BLS9C000001	
		3	33450-SA8-0000	WINKER ASS'Y, LH.FR.	1	Y		20081219	KMYSA8BLS9C000001	
		4	33452-SA8-0000	LENS, LH.FR.WINKER	1	N		20081219	KMYSA8BLS9C000001	
		5	34905-SA8-0000	BULB, WINKER	2	Y		20081219	KMYSA8BLS9C000001	
		6	S4050-10080	NUT FLANGE 10mm	2	Y		20081219	KMYSA8BLS9C000001	

F-24

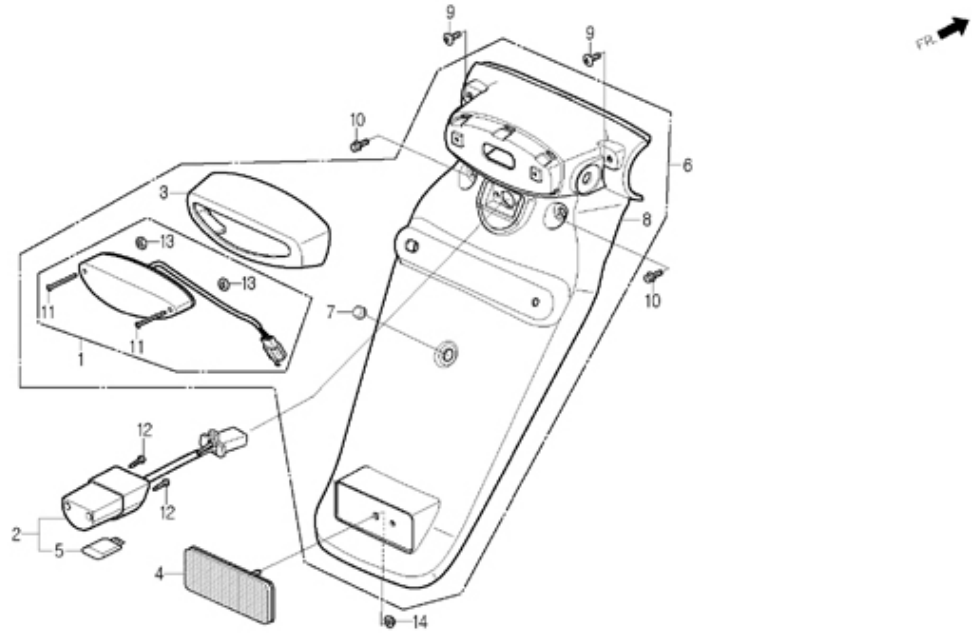
REAR WINKER



Service item	FRT	Ref. No.	Part No.	Description	QTY	A/S	Exch	Start Date	Start FRM.No	End FRM.No
WINKER ASS'Y, RR. (ADD 0.1 FOR EACH) BULB, WINKER (ONE OR ALL)	0.3	1	33402-SA8-0000	LENS, RH.FR.WINKER	1	N		20081219	KMYSA8BLS9C000001	
	0.1	2	33452-SA8-0000	LENS, LH.FR.WINKER	1	N		20081219	KMYSA8BLS9C000001	
		3	33600-SA8-0000	WINKER ASS'Y, RH.RR.	1	Y		20081219	KMYSA8BLS9C000001	
		4	33650-SA8-0000	WINKER ASS'Y, LH.RR.	1	Y		20081219	KMYSA8BLS9C000001	
		5	34905-SA8-0000	BULB, WINKER	2	Y		20081219	KMYSA8BLS9C000001	
			6	S4050-10080	NUT FLANGE 10mm	2	Y		20081219	KMYSA8BLS9C000001

F-25

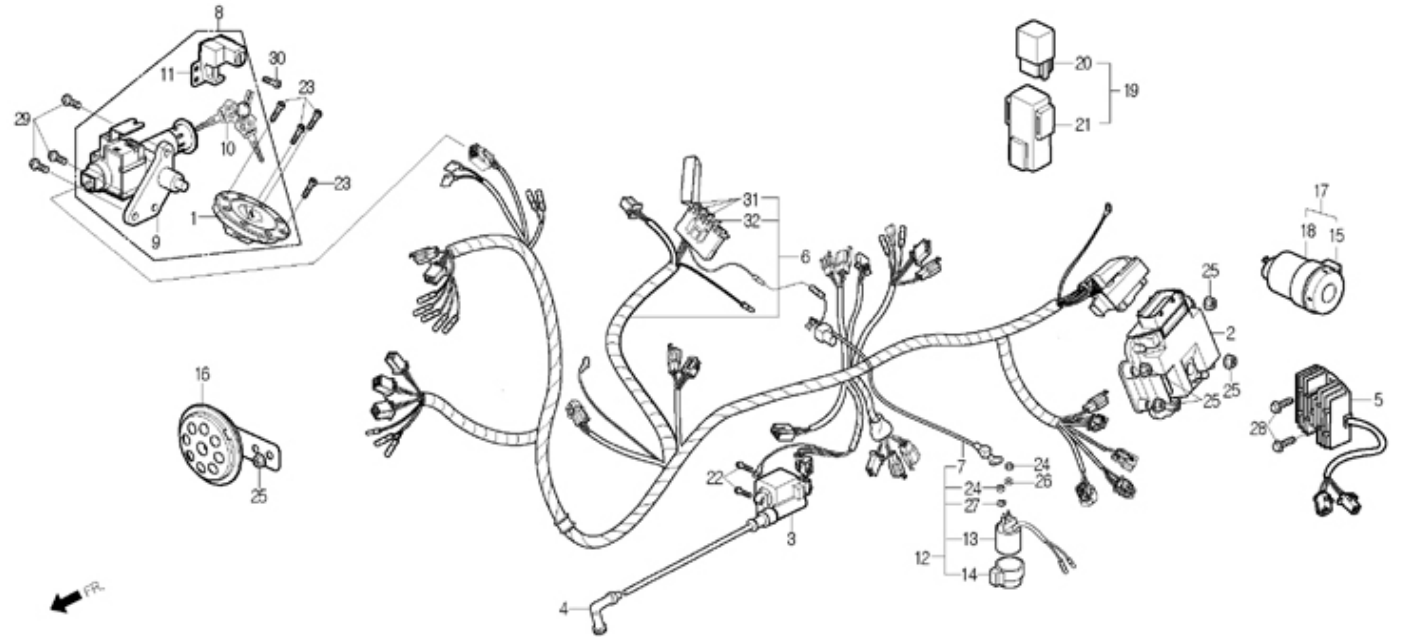
REAR FENDER / TAIL LIGHT



Service item	FRT	Ref. No.	Part No.	Description	QTY	A/S	Exch	Start Date	Start FRM.No	End FRM.No
LIGHT ASS'Y, TAIL	0.3	1	33700-SA8-0000	LIGHT ASS'Y, TAIL	1	Y		20081219	KMYSA8BLS9C000001	
		2	33710-SE5-RB00-M1	LAMP ASS'Y, LICENSE	1	Y		20081219	KMYSA8BLS9C000001	
		3	33725-SA8-0000	COVER, TAIL LIGHT	1	Y		20081219	KMYSA8BLS9C000001	
		4	33741-SE5-RB00-M1	REFLECTOR, REFLEX	1	Y		20081219	KMYSA8BLS9C000001	
		5	34902-BA7-RB00	BULB, MAKER LIGHT(12V 4W)	1	Y		20081219	KMYSA8BLS9C000001	
		6	8010A-SA8-K300	FENDER ASS'Y, RR.	1	Y		20081219	KMYSA8BLS9C000001	
		7	80101-BA1-0000	RUBBER, LICENSE PLATE	1	Y		20081219	KMYSA8BLS9C000001	
		8	80105-SA8-K300	FENDER, RR	1	N		20081219	KMYSA8BLS9C000001	
		9	90192-SE3-0000	SCREW, SPECIAL 5x14	2	Y		20081219	KMYSA8BLS9C000001	
		10	S3404-06012-08	BOLT, WASHER 6x12	2	Y		20081219	KMYSA8BLS9C000001	
		11	S3500-03030-H1	SCREW, CROSS M3x30	2	N		20081219	KMYSA8BLS9C000001	
		12	S3903-34420	SCREW, TAPPING 4x16	2	Y		20081219	KMYSA8BLS9C000001	
		13	S4001-03080-0S	NUT, HEX 3mm	2	N		20081219	KMYSA8BLS9C000001	
		14	S4050-06080	NUT, FLANGE 6mm	1	Y		20081219	KMYSA8BLS9C000001	

F-26

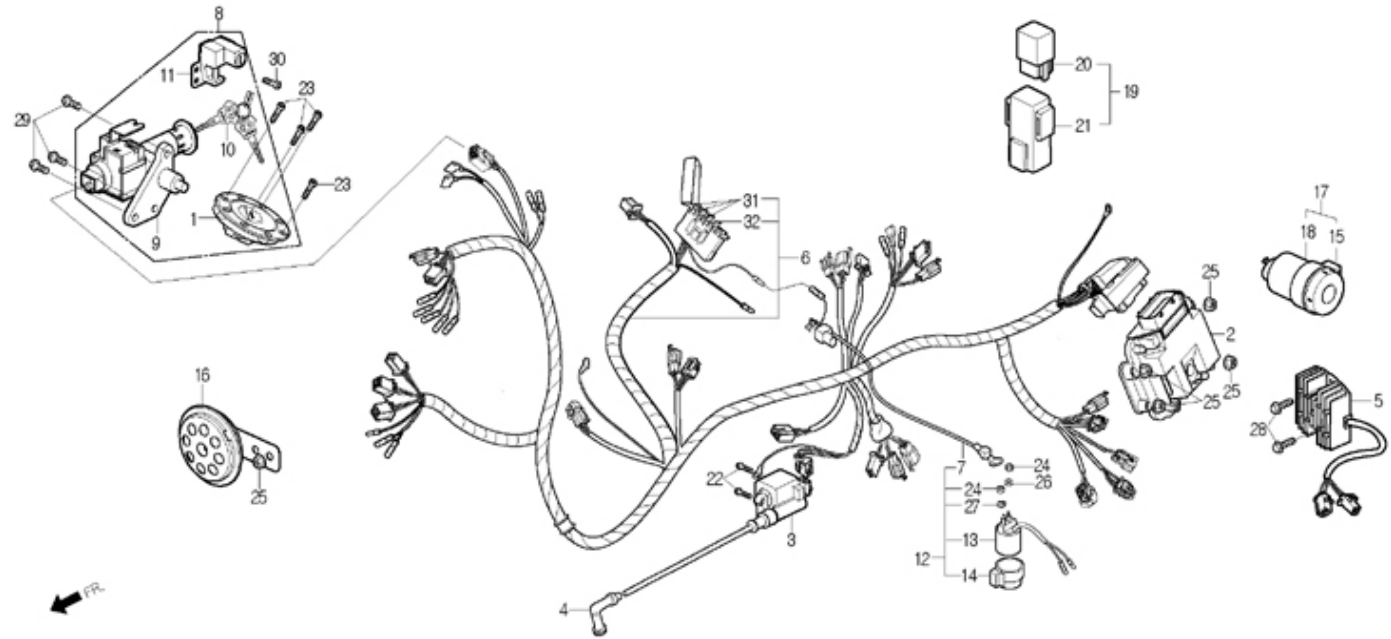
WIRE HARNESS / IGNITION COIL



Service item	FRT	Ref. No.	Part No.	Description	QTY	A/S	Exch	Start Date	Start FRM.No	End FRM.No
COIL COMP., IGNITION	0.4	1	17620-BA4-0000-M1	CAP COMP., FUEL FILLER	1	N		20081219	KMYSA8BLS9C000001	
COIL PLATE, IGNITION	0.9	2	30100-SA7-R300	UNIT, ENGINE CONTROL	1	Y		20081219	KMYSA8BLS9C000001	
REGULATOR RECTIFIER ASS'Y	0.9	3	30510-SA4-R300	COIL COMP., IGNITION	1	Y		20081219	KMYSA8BLS9C000001	
HARNESS, WIRE	1.5	4	30700-BA7-9000	CAP ASSY, NOISE SUPPRESSOR	1	Y		20081219	KMYSA8BLS9C000001	
SET, KEY	1.0	5	31600-BA1-R300	REGULATOR RECTIFIER ASS'Y	1	Y		20081219	KMYSA8BLS9C000001	
SWITCH ASS'Y, COMBINATION&LOCK	0.9 0.5	6	32100-SA8-RZ00	HARNESS, WIRE	1	Y		20081219	KMYSA8BLS9C000001	
HORN COMP.	0.7	7	32401-SA8-0000	CABLE, START MAGNETIC BATTERY	1	N		20081219	KMYSA8BLS9C000001	
UNIT ASS'Y, CDI	0.9	8	35010-SA8-0000-M1	SET, KEY	1	Y		20081219	KMYSA8BLS9C000001	
RELAY ASS'Y, LIGHT	0.9	9	35100-SA8-0000-M1	SWITCH ASS'Y, COMBINATION & LOCK	1	N		20081219	KMYSA8BLS9C000001	
RELAY COMP., START	0.9	10	35111-SZ1-0000-M1	KEY COMP.	1	N		20081219	KMYSA8BLS9C000001	
RELAY ASS'Y, WINKER(POLICE)		11	35115-SA8-0000-M1	HOLDER ASS'Y, HELMET	1	N		20081219	KMYSA8BLS9C000001	
		12	3585A-SA8-0000	SWITCH SET, START MAGNETIC	1	Y		20081219	KMYSA8BLS9C000001	
		13	35850-BA1-R300	SWITCH ASS'Y, START MAGNETIC	1	N		20081219	KMYSA8BLS9C000001	
		14	35856-BA6-8300	RUBBER, MAGNETIC SHOCK	1	N		20081219	KMYSA8BLS9C000001	
		15	35856-SE5-5000	RUBBER, WINKER RELAY SHOCK	1	N		20081219	KMYSA8BLS9C000001	
		16	38110-BA4-0000	HORN COMP.	1	Y		20081219	KMYSA8BLS9C000001	
		17	3830A-BA6-0300-P	RELAY ASS'Y, WINKER(POLICE)	1	Y		20081219	KMYSA8BLS9C000001	
		18	38301-BA6-0300-P	RELAY COMP., AP.WINKER	1	N		20081219	KMYSA8BLS9C000001	
		19	38500-BA4-0010	RELAY ASS'Y, LIGHT	1	Y		20081219	KMYSA8BLS9C000001	
		20	38501-SE6-9810	RELAY COMP., START	1	N		20081219	KMYSA8BLS9C000001	
		21	38506-BA4-0000	SUSPENSION, LIGHT RELAY	1	N		20081219	KMYSA8BLS9C000001	

F-26

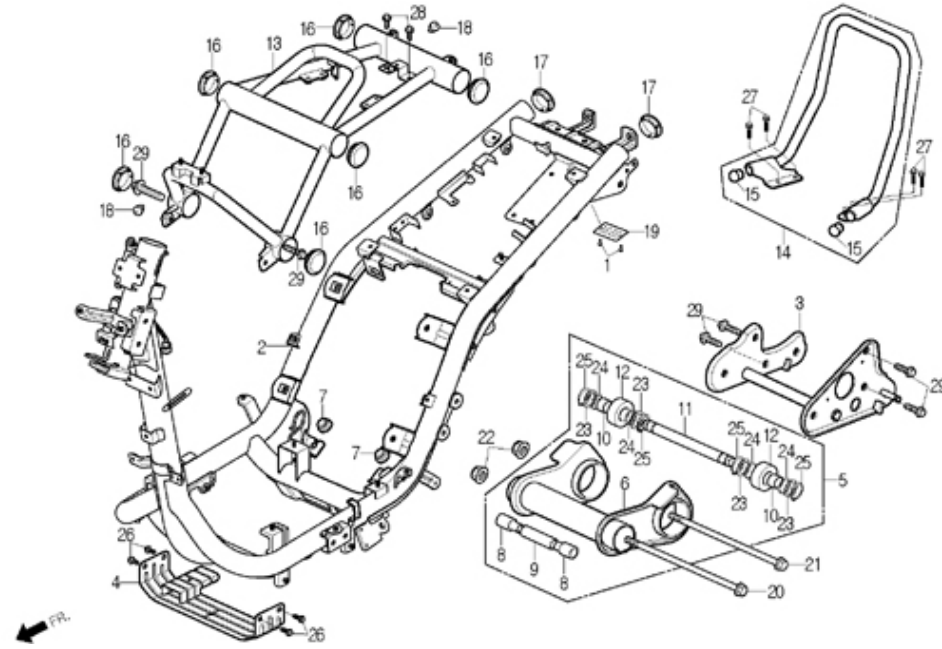
WIRE HARNESS / IGNITION COIL



Service item	FRT	Ref. No.	Part No.	Description	QTY	A/S	Exch	Start Date	Start FRM.No	End FRM.No
		22	90112-BA7-0000	BOLT, FLANGE 5x22	2	Y		20081219	KMYSA8BLS9C000001	
		23	90152-BA4-0000	SOCKET BOLT 5x25	4	Y		20081219	KMYSA8BLS9C000001	
		24	S4002-06080-0S	NUT, HEX 6mm	2	Y		20081219	KMYSA8BLS9C000001	
		25	S4050-06080	NUT, FLANGE 6mm	5	Y		20081219	KMYSA8BLS9C000001	
		26	S4101-06800	WASHER, PLAIN 6mm	1	Y		20081219	KMYSA8BLS9C000001	
		27	S4111-06800	WASHER, SPRING 6mm	1	Y		20081219	KMYSA8BLS9C000001	
		28	S5701-06016-08	BOLT, FLANGE 6x16	2	Y		20081219	KMYSA8BLS9C000001	
		29	S6001-06020-00	BOLT, FLANGE SH.6x20	3	Y		20081219	KMYSA8BLS9C000001	
		30	S6700-06012-07	BOLT, SOCKET M6x12	1	Y		20081219	KMYSA8BLS9C000001	
		31	S8200-31500	FUSE, BLADE 15A	3	Y		20081219	KMYSA8BLS9C000001	
		32	S8200-33000	FUSE, BLADE 30A	1	Y		20081219	KMYSA8BLS9C000001	

F-27

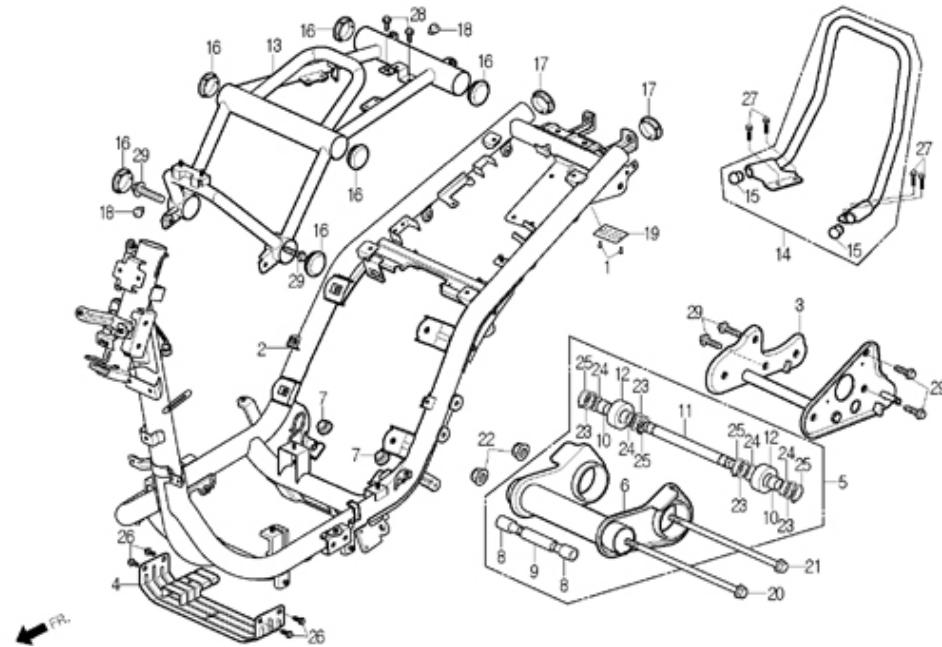
FRAME BODY



Service item	FRT	Ref. No.	Part No.	Description	QTY	A/S	Exch	Start Date	Start FRM.No	End FRM.No
PIPE COMP., SEAT SUPPORT	0.9	1	18323-BA7-RE00	RIVET, BLIND 3.2x8.5	2	Y		20081219	KMYSA8BLS9C000001	
BODY COMP., FRAME	*4.0	2	50100-SA8-K300-GB	BODY COMP., FRAME(G/BLUE)	1	Y		20081219	KMYSA8BLS9C000001	
HANGER ASS'Y, ENGINE	0.9		50100-SA8-K300-LR	BODY COMP., FRAME(L/RED)	1	Y		20081219	KMYSA8BLS9C000001	
			50100-SA8-K300-WP	BODY COMP., FRAME(P/WHITE)	1	Y		20081219	KMYSA8BLS9C000001	
		3	50170-SA1-0000	PLATE COMP., ENGINE HANGER	1	Y		20081219	KMYSA8BLS9C000001	
		4	50180-SA8-0000	STAY, TANK UNDER SUPPORT	1	Y		20081219	KMYSA8BLS9C000001	
		5	50350-SA1-0000	HANGER ASS'Y, ENGINE	1	Y		20081219	KMYSA8BLS9C000001	
		6	50351-SA1-0000	LINK, ENGINE HANGER	1	N		20081219	KMYSA8BLS9C000001	
		7	50352-SA1-0000	RUBBER, LINK STOPPER	2	Y		20081219	KMYSA8BLS9C000001	
		8	50353-CB2-0000	BUSH, ENGINE HANGER RUBBER	2	Y		20081219	KMYSA8BLS9C000001	
		9	50354-SC1-0000	COLLAR, ENGINE HANGER	1	N		20081219	KMYSA8BLS9C000001	
		10	50355-SA1-0000	OIL LESS METAL	2	Y		20081219	KMYSA8BLS9C000001	
		11	50356-SA1-0000	COLLAR, ENGINE HANGER PIVOT	1	Y		20081219	KMYSA8BLS9C000001	
		12	50357-SA1-0000	BUSH A, ENGINE HANGER RUBBER	2	Y		20081219	KMYSA8BLS9C000001	
		13	77120-SA8-RZ00-LR	PIPE COMP., SEAT SUPPORT(L/RED)	1	Y		20081219	KMYSA8BLS9C000001	
			77120-SA8-RZ00-MK	PIPE COMP., SEAT SUPPORT(PM/BLACK)	1	Y		20081219	KMYSA8BLS9C000001	
			77120-SA8-RZ00-WP	PIPE COMP., SEAT SUPPORT(P/WHITE)	1	Y		20081219	KMYSA8BLS9C000001	
		14	81200-SA8-RZ00-LR	PIPE COMP., RR.GRIP(L/RED)	1	Y		20081219	KMYSA8BLS9C000001	
			81200-SA8-RZ00-MK	PIPE COMP., RR.GRIP(PM/BLACK)	1	Y		20081219	KMYSA8BLS9C000001	
			81200-SA8-RZ00-WP	PIPE COMP., RR.GRIP(P/WHITE)	1	Y		20081219	KMYSA8BLS9C000001	
		15	81401-SE7-1000	CAP, BAR END	2	N		20081219	KMYSA8BLS9C000001	
		16	81402-SA8-0000	CAP B, BAR END	6	Y		20081219	KMYSA8BLS9C000001	

F-27

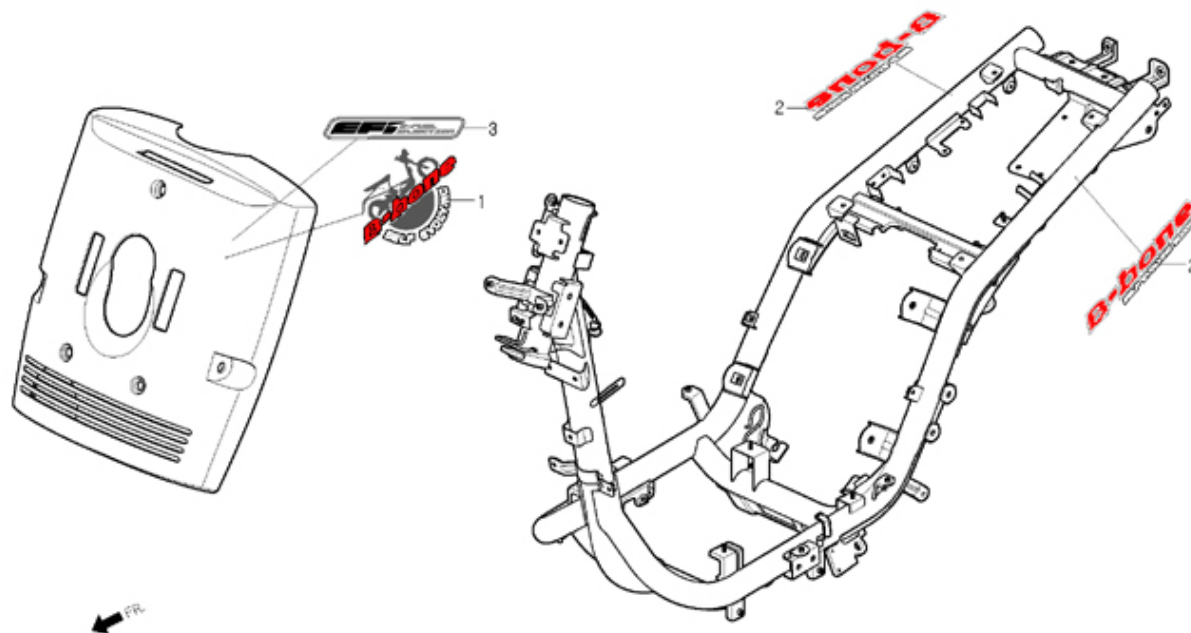
FRAME BODY



Service item	FRT	Ref. No.	Part No.	Description	QTY	A/S	Exch	Start Date	Start FRM.No	End FRM.No
		17	86101-SA8-0000	CAP, PIPE SEALING	2	Y		20081219	KMYSA8BLS9C000001	
		18	86101-SE8-0000	CAP, PIPE SEALING	2	Y		20081219	KMYSA8BLS9C000001	
		19	87509-SA8-RZ00	DATA PLATE, MANUFACTURER'S	1	N		20081219	KMYSA8BLS9C000001	
		20	90105-SB1-0000	BOLT, FLANGE 10x212	1	Y		20081219	KMYSA8BLS9C000001	
		21	90107-SA1-0000	BOLT, FLANGE 10x200	1	Y		20081219	KMYSA8BLS9C000001	
		22	90304-SE6-0000	NUT, U 10mm	2	Y		20081219	KMYSA8BLS9C000001	
		23	90441-SA1-0000	WASHER, THRUST	4	N		20081219	KMYSA8BLS9C000001	
		24	91301-SA1-0000	O-RING 16.8x1.6	4	N		20081219	KMYSA8BLS9C000001	
		25	S4510-17000	CIR CLIP, EXTERNAL 17mm	4	N		20081219	KMYSA8BLS9C000001	
		26	S5701-06012-08	BOLT, FLANGE 6x12	4	Y		20081219	KMYSA8BLS9C000001	
		27	S5701-06016-08	BOLT, FLANGE 6x16	4	Y		20081219	KMYSA8BLS9C000001	
		28	S5701-08016-08	BOLT, FLANGE 8x16	2	Y		20081219	KMYSA8BLS9C000001	
		29	S5801-10035-08	BOLT, FLANGE 10x35	6	Y		20081219	KMYSA8BLS9C000001	

F-29

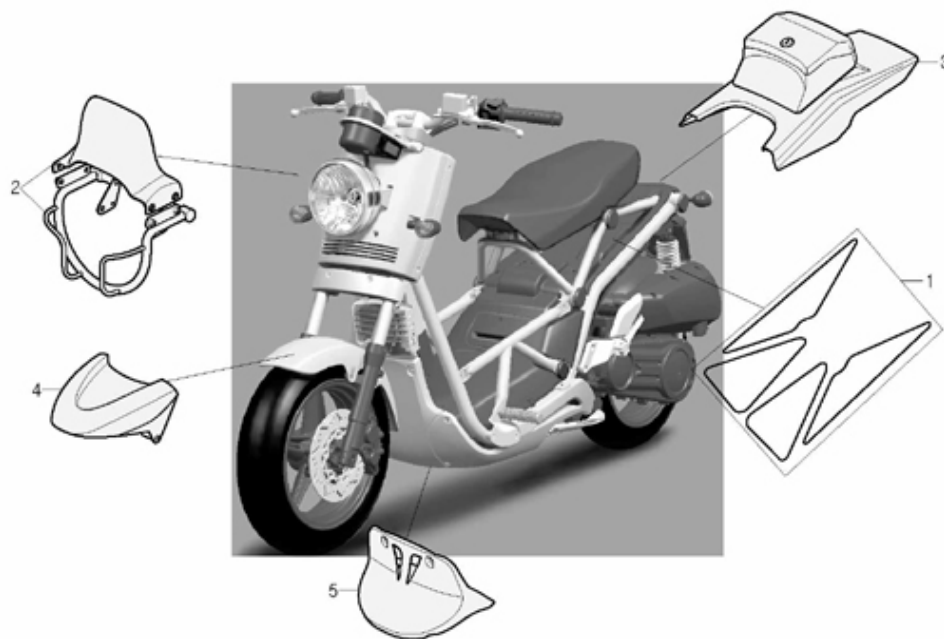
MARK



Service item	FRT	Ref. No.	Part No.	Description	QTY	A/S	Exch	Start Date	Start FRM.No	End FRM.No
		1	87124-SA8-0000-GB	MARK, FR.COVER(G/BLUE)	1	Y		20081219	KMYSA8BLS9C000001	
			87124-SA8-0000-LR	MARK, FR.COVER(L/RED)	1	Y		20081219	KMYSA8BLS9C000001	
			87124-SA8-0000-WE	MARK, FR.COVER(W/RED)	1	Y		20081219	KMYSA8BLS9C000001	
			87124-SA8-0000-WP	MARK, FR.COVER(P/WHITE)	1	Y		20081219	KMYSA8BLS9C000001	
		2	87125-SA8-0000-GB	STRIPE, FRM.BODY(G/BLUE)	2	Y		20081219	KMYSA8BLS9C000001	
			87125-SA8-0000-LR	STRIPE, FRM.BODY(L/RED)	1	Y		20081219	KMYSA8BLS9C000001	
			87125-SA8-0000-WP	STRIPE, FRM.BODY(P/WHITE)	2	Y		20081219	KMYSA8BLS9C000001	
		3	87127-BA4-K300	MARK, FUEL INJECTION	1	Y		20081219	KMYSA8BLS9C000001	

F-30

OPTION PARTS



Service item	FRT	Ref. No.	Part No.	Description	QTY	A/S	Exch	Start Date	Start FRM.No	End FRM.No
		1	SA8A-30020-MK	MESH BOX(M/BLACK)	1	Y		20081219	KMYSA8BLS9C000001	
		2	SA8A-33105	HEADLIGHT PROTECTOR ASS'Y	1	Y		20081219	KMYSA8BLS9C000001	
		3	SA8A-40010-BL	REAR TOP BOX ASS'Y(S/BLUE)	1	Y		20081219	KMYSA8BLS9C000001	
			SA8A-40010-GB	REAR TOP BOX ASS'Y(G/BLUE)	1	Y		20081219	KMYSA8BLS9C000001	
			SA8A-40010-WP	REAR TOP BOX ASS'Y(P/WHITE)	1	Y		20081219	KMYSA8BLS9C000001	
		4	SA8A-61100-BL	FRONT SUB FENDER(S/BLUE)	1	Y		20081219	KMYSA8BLS9C000001	
			SA8A-61100-GB	FRONT SUB FENDER(G/BLUE)	1	Y		20081219	KMYSA8BLS9C000001	
			SA8A-61100-WP	FRONT SUB FENDER(P/WHITE)	1	Y		20081219	KMYSA8BLS9C000001	
		5	SA8A-64300-BL	AIR DAM(S/BLUE)	1	Y		20081219	KMYSA8BLS9C000001	
			SA8A-64300-GB	AIR DAM(G/BLUE)	1	Y		20081219	KMYSA8BLS9C000001	
			SA8A-64300-WP	AIR DAM(P/WHITE)	1	Y		20081219	KMYSA8BLS9C000001	