

DAELIM

S-Five

SJ50 (EX)

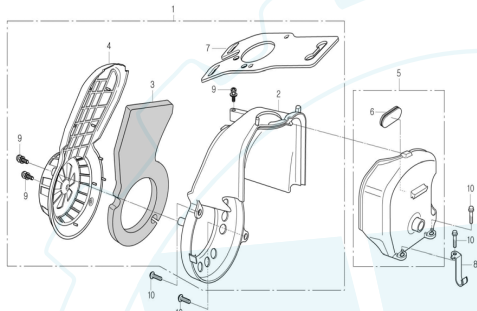
**파트리스트
PARTS LIST**

 **대림자동차**
<http://www.dmc.co.kr>

ENGINE GROUP

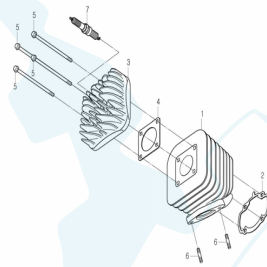
E-01

FAN COVER / SHROUD



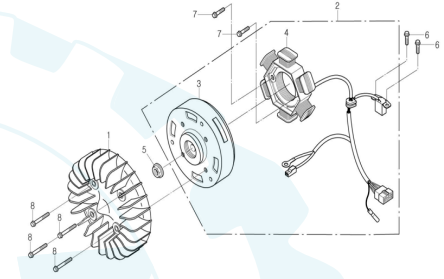
E-02

CYLINDER / CYLINDER HEAD



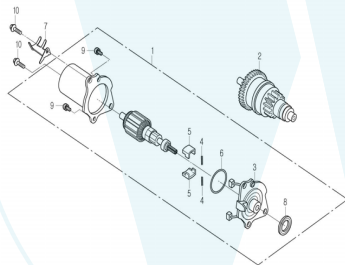
E-03

GENERATOR / COOLING FAN



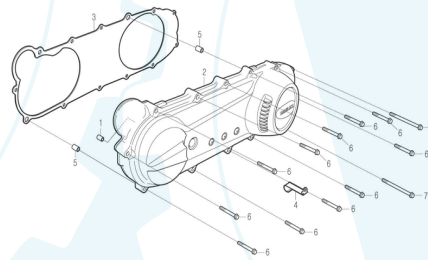
E-04

STARTING MOTOR



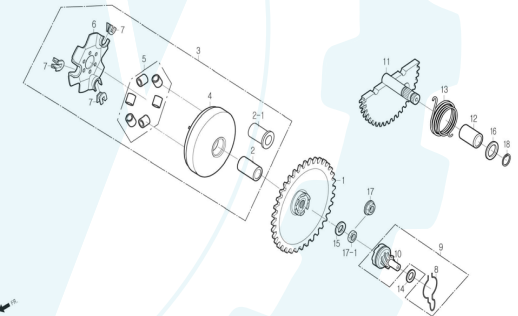
E-05

LEFT SIDE COVER



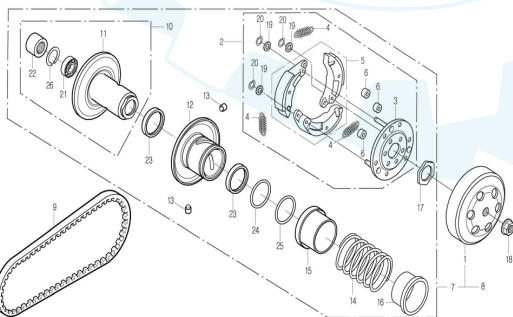
E-06

DRIVE FACE / KICK STARTER SPINDLE



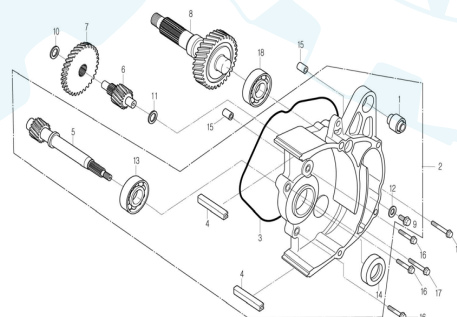
E-07

DRIVEN FACE



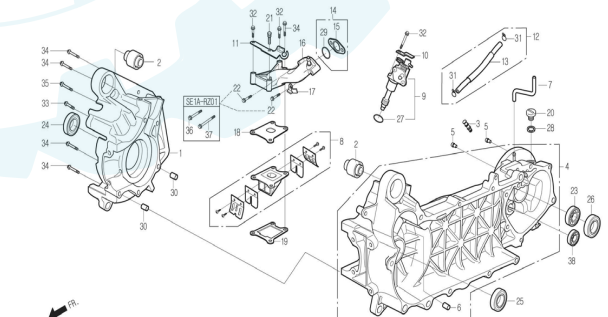
E-08

TRANSMISSION



E-09

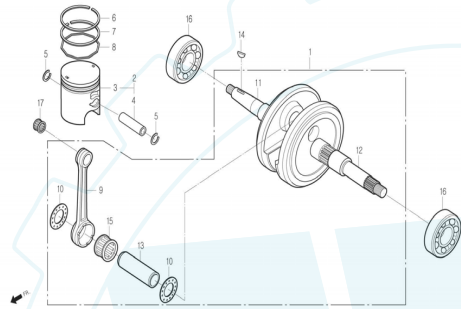
CRANK CASE / OIL PUMP



ENGINE GROUP

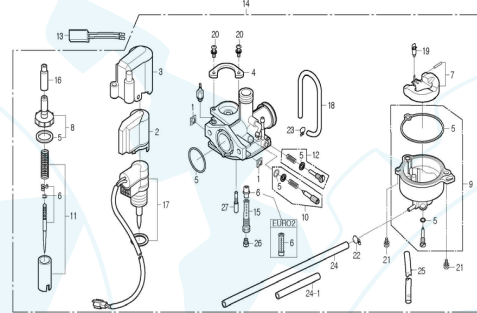
E-10

CRANK SHAFT / PISTON



E-11

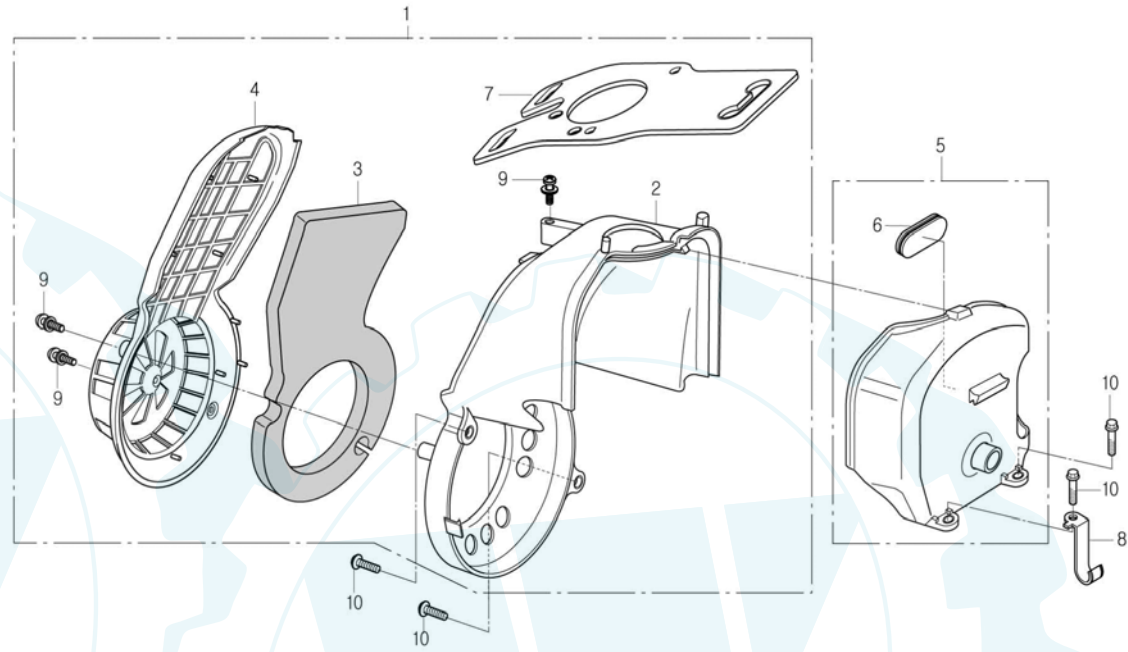
CARBURETOR



ERING

E-01

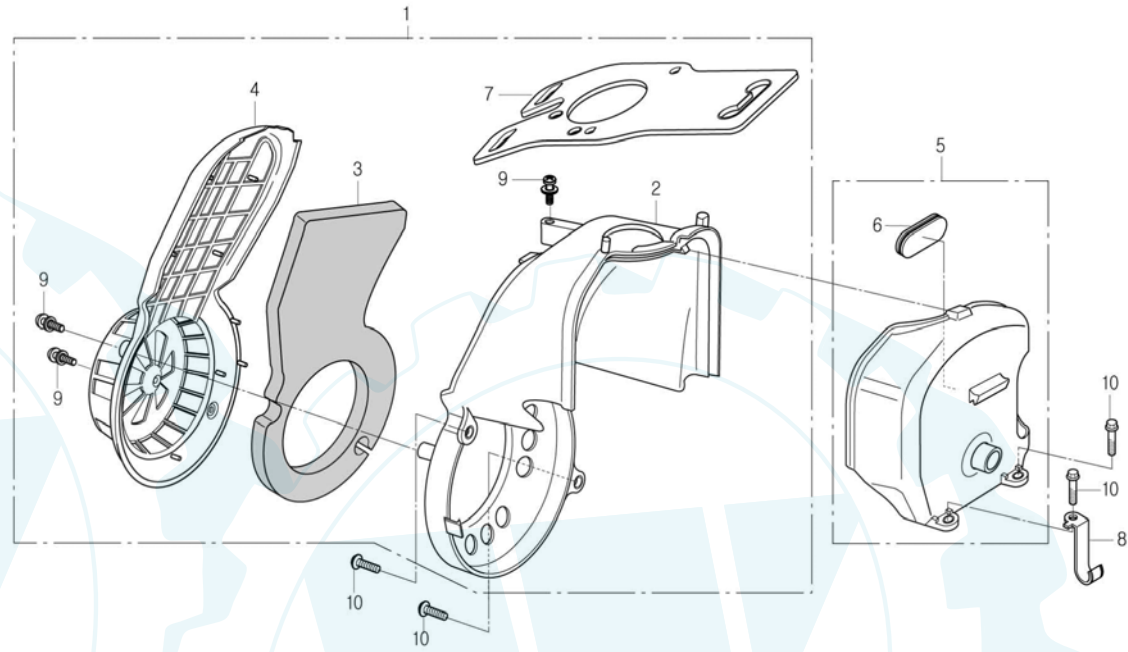
FAN COVER / SHROUD



Service item	FRT	Ref. No.	Part No.	Description	QTY	A/S	Exch	Start Date	End Date	Start FRM.No	End FRM.No
COVER ASS'Y, FAN	0.5	1	19600-SE1-0000	COVER ASS'Y, FAN	1	Y		20010227		KMYSE1B4S1K000001	
								20010330		KMY00SJ501C006610	
SHROUD COMP.	1.0	2	19610-SE1-0000	COVER COMP., FAN	1	Y		20020122		KMYSE1B2S2K000001	
								20010227		KMYSE1B4S1K000001	
								20010330		KMY00SJ501C006610	
								20020122		KMYSE1B2S2K000001	
								20010227		KMYSE1B4S1K000001	
								20010330		KMY00SJ501C006610	
								20020122		KMYSE1B2S2K000001	
								20010227		KMYSE1B4S1K000001	
								20010330		KMY00SJ501C006610	
								20020122		KMYSE1B2S2K000001	
5	19620-SE1-0000	SHROUD COMP.	1	Y		20010227		KMYSE1B4S1K000001		KMYSE1B4S1K000001	
						20010330		KMY00SJ501C006610		KMY00SJ501C006610	
						20020122		KMYSE1B2S2K000001		KMYSE1B2S2K000001	
6	19622-SE1-0000	SEAL, SHROUD	1	Y		20010227		KMYSE1B4S1K000001		KMYSE1B4S1K000001	
						20010330		KMY00SJ501C006610		KMY00SJ501C006610	
						20020122		KMYSE1B2S2K000001		KMYSE1B2S2K000001	
7	19625-SE1-0000-H1	RUBBER, FAN COVER	1	Y		20010227		KMYSE1B4S1K000001		KMYSE1B4S1K000001	
						20010330		KMY00SJ501C006610		KMY00SJ501C006610	
						20020122		KMYSE1B2S2K000001		KMYSE1B2S2K000001	
						20010227		KMYSE1B4S1K000001		KMYSE1B4S1K000001	
8	43453-SE1-0000	CLAMP B, RR.BRAKE CABLE	1	Y		20010227		KMYSE1B4S1K000001		KMYSE1B4S1K000001	

E-01

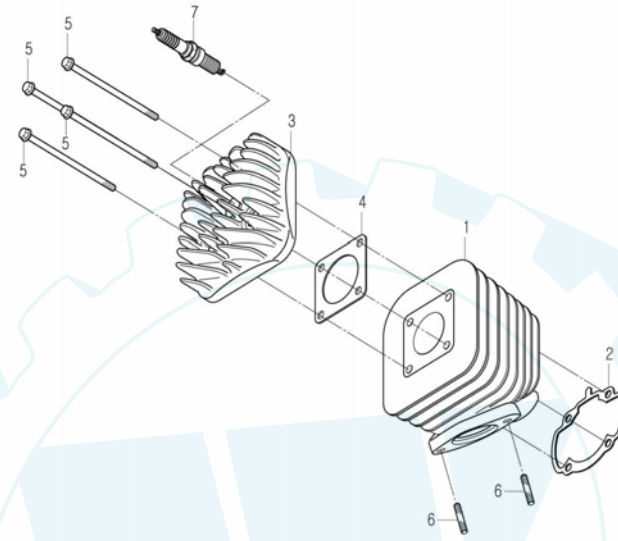
FAN COVER / SHROUD



Service item	FRT	Ref. No.	Part No.	Description	QTY	A/S	Exch	Start Date	End Date	Start FRM.No	End FRM.No
		9	S3891-05012-07	SCREW, WASHER 5x12	3	Y		20010330		KMY00SJ501C006610	
		10	S6001-06016-00	BOLT, FLANGE SH.6x16	4	Y		20020122		KMYSE1B2S2K000001	
								20010227		KMYSE1B4S1K000001	
								20010330		KMY00SJ501C006610	
								20020122		KMYSE1B2S2K000001	
								20010227		KMYSE1B4S1K000001	
								20010330		KMY00SJ501C006610	
								20020122		KMYSE1B2S2K000001	

E-02

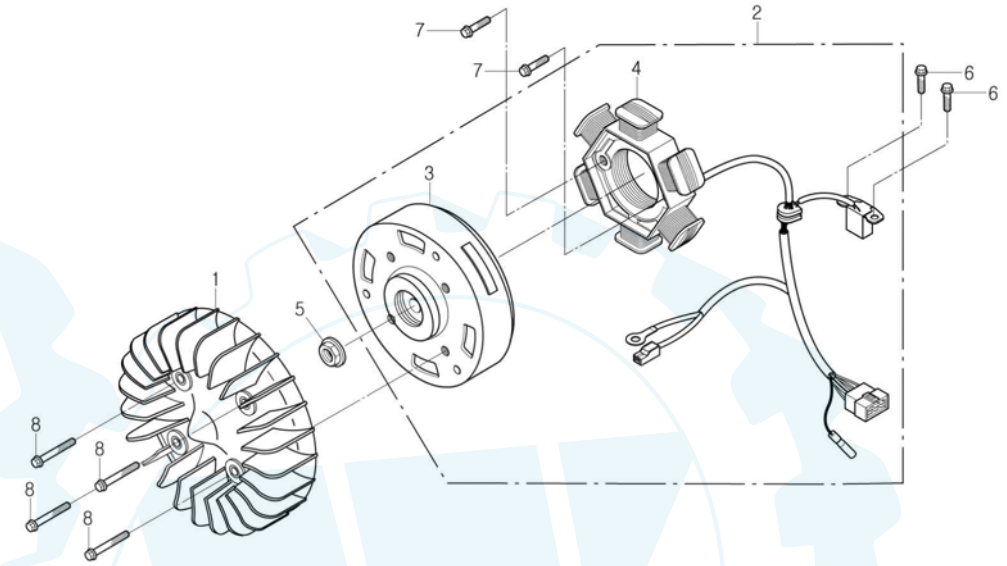
CYLINDER / CYLINDER HEAD



Service item	FRT	Ref. No.	Part No.	Description	QTY	A/S	Exch	Start Date	End Date	Start FRM.No	End FRM.No
CYLINDER A	1.2	1	12101-SE1-0001	CYLINDER A	1	Y		20010227 20010330		KMYSE1B4S1K000001 KMY00SJ501C006610	
GASKET, CYLINDER	1.0		12101-SE1-RZ00	CYLINDER A(EURO2)	1	Y		20020122 20030718		KMYSE1B2S2K000001 KMYSE1B4S3K011156	
HEAD, CYLINDER	0.8	2	12191-SE1-RB00	GASKET, CYLINDER	1	Y		20010227 20020122		KMYSE1B4S1K000001 KMYSE1B2S2K000001	
GASKET, CYLINDER HEAD	0.8		12191-SE1-0000	GASKET, CYLINDER	1	Y		20010319 20010330	20020701	KMYSE1B4S1K000391 KMY00SJ501C006610	KMYSE1B4S2K005853
BOLT, STUD 6x28 (ADD 0.1 FOR EACH)	0.4	3	12201-SE1-0000	HEAD, CYLINDER	1	Y		20010227 20010330		KMYSE1B4S1K000001 KMY00SJ501C006610	
PLUG, SPARK	0.1	4	12251-SE5-0002	GASKET, CYLINDER HEAD	1	Y		20020122 20010227		KMYSE1B2S2K000001 KMYSE1B4S1K000001	
		5	90001-SE5-0000	BOLT, FLANGE 6x95	4	Y		20010330 20020122		KMY00SJ501C006610 KMYSE1B2S2K000001	
		6	S2700-06028-1B	BOLT, STUD 6x28	2	Y		20010227 20010330		KMYSE1B4S1K000001 KMY00SJ501C006610	
		7	S8076-5871G-00	SPARK PLUG (BR8HSA)	1	Y		20020122 20010227		KMYSE1B2S2K000001 KMYSE1B4S1K000001	
								20020122		KMYSE1B2S2K000001	

E-03

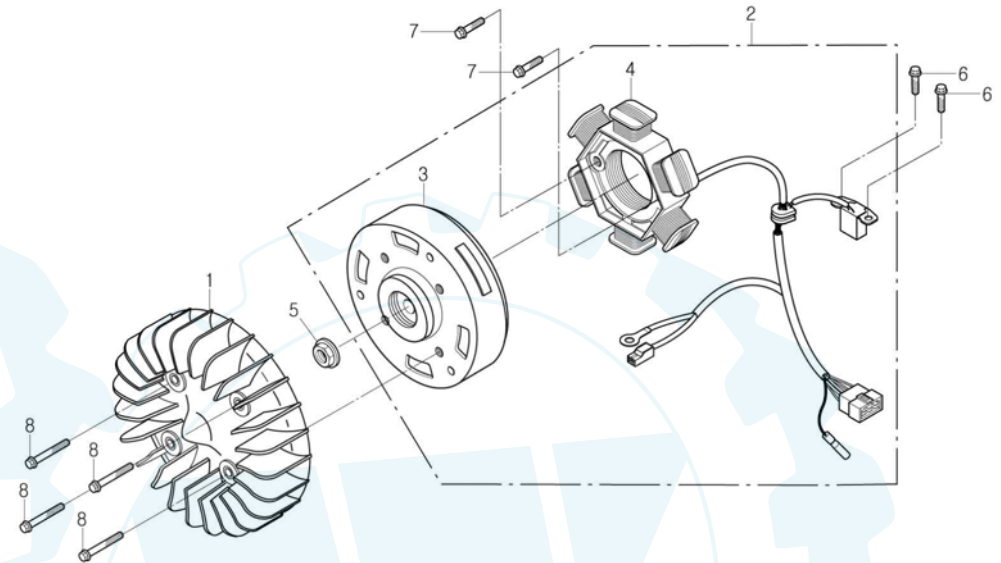
GENERATOR / COOLING FAN



Service item	FRT	Ref. No.	Part No.	Description	QTY	A/S	Exch	Start Date	End Date	Start FRM.No	End FRM.No
FAN COMP., COOLING	0.6	1	19510-SE1-0000	FAN COMP., COOLING	1	Y		20010227		KMYSE1B4S1K000001	
GENERATOR ASS'Y, A.C	0.8	2	31100-SE1-0001	GENERATOR ASS'Y, A.C	1	Y		20010330		KMY00SJ501C006610	
STATOR COMP.								20020122		KMYSE1B2S2K000001	
FLYWHEEL COMP.	0.6	3	31110-SE1-0001	FLYWHEEL COMP.	1	Y		20010227		KMYSE1B4S1K000001	
								20010330		KMY00SJ501C006610	
								20020122		KMYSE1B2S2K000001	
		4	31120-SE1-0000	STATOR COMP.	1	Y		20010227		KMYSE1B4S1K000001	
								20010330		KMY00SJ501C006610	
								20020122		KMYSE1B2S2K000001	
		5	S4050-10080	NUT, FLANGE 10mm	1	Y		20010227		KMYSE1B4S1K000001	
								20010330		KMY00SJ501C006610	
								20020122		KMYSE1B2S2K000001	
		6	S6001-06012-00	BOLT, FLANGE SH.6x12	2	Y		20010227		KMYSE1B4S1K000001	
								20010330		KMY00SJ501C006610	
								20020122		KMYSE1B2S2K000001	
		7	S6001-06018-00	BOLT, FLANGE SH.6x18	2	Y		20010227		KMYSE1B4S1K000001	
								20010330		KMY00SJ501C006610	
								20020122		KMYSE1B2S2K000001	
		8	S6001-06025-00	BOLT, FLANGE SH.6x25	4	Y		20010227		KMYSE1B4S1K000001	

E-03

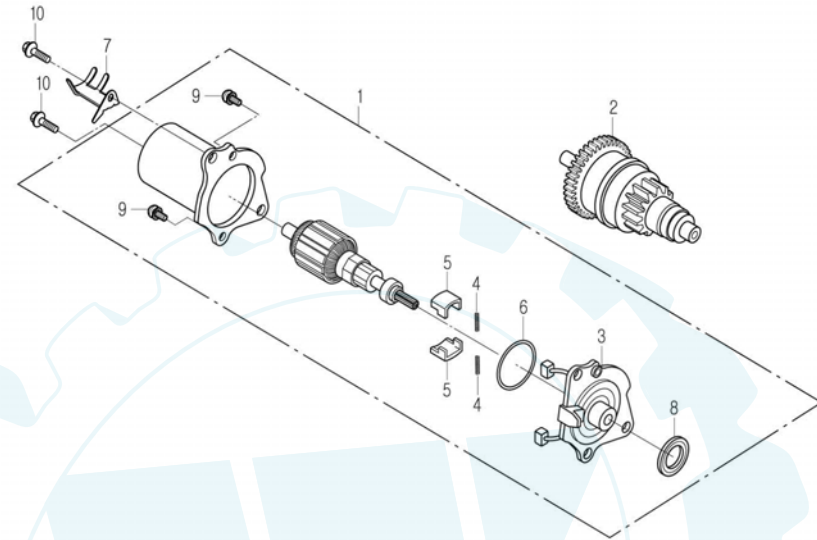
GENERATOR / COOLING FAN



Service item	FRT	Ref. No.	Part No.	Description	QTY	A/S	Exch	Start Date	End Date	Start FRM.No	End FRM.No
								20010330		KMY00SJ501C006610	
								20020122		KMYSE1B2S2K000001	

E-04

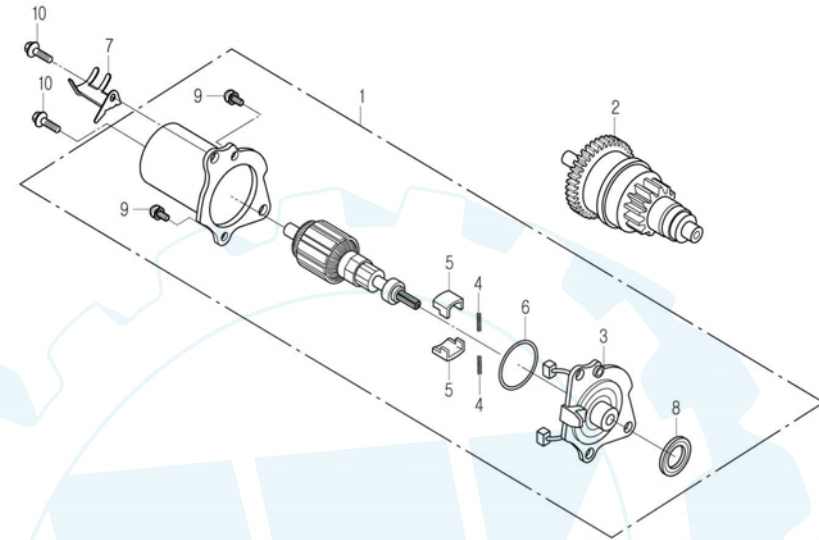
STARTING MOTOR



Service item	FRT	Ref. No.	Part No.	Description	QTY	A/S	Exch	Start Date	End Date	Start FRM.No	End FRM.No
MOTOR UNIT, STARTER	0.5	1	31200-SE5-9000	MOTOR UNIT, STARTER	1	Y		20010227		KMYSE1B4S1K000001	
.PINION ASS'Y, STARTER	0.5							20010330		KMY00SJ501C006610	
BRACKET, FR.	0.7	2	31209-SE5-0150	PINION ASS'Y, STARTER	1	Y		20020122		KMYSE1B2S2K000001	
.HOLDER, BRUSH								20010227		KMYSE1B4S1K000001	
								20010330		KMY00SJ501C006610	
								20020122		KMYSE1B2S2K000001	
		3	31213-SE5-9000	BRACKET, FR.	1	N		20010227		KMYSE1B4S1K000001	
								20010330		KMY00SJ501C006610	
								20020122		KMYSE1B2S2K000001	
		4	31214-SE5-9000	SPRING, BRUSH	2	N		20010227		KMYSE1B4S1K000001	
								20010330		KMY00SJ501C006610	
								20020122		KMYSE1B2S2K000001	
		5	31215-SE5-9000	HOLDER, BRUSH	2	N		20010227		KMYSE1B4S1K000001	
								20010330		KMY00SJ501C006610	
								20020122		KMYSE1B2S2K000001	
		6	31217-SE5-9000	PACKING	1	N		20010227		KMYSE1B4S1K000001	
								20010330		KMY00SJ501C006610	
								20020122		KMYSE1B2S2K000001	
		7	32964-SE1-0000	CLAMP, CORD	1	Y		20010227		KMYSE1B4S1K000001	
								20010330		KMY00SJ501C006610	
								20020122		KMYSE1B2S2K000001	
		8	91309-SE5-9000	GASKET, STARTER MOTOR	1	Y		20010227		KMYSE1B4S1K000001	

E-04

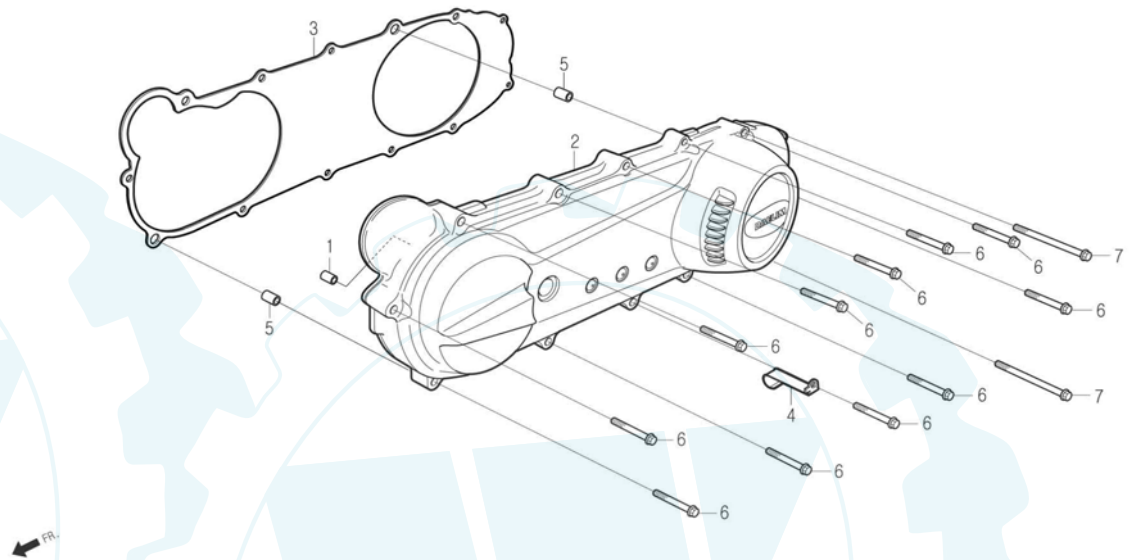
STARTING MOTOR



Service item	FRT	Ref. No.	Part No.	Description	QTY	A/S	Exch	Start Date	End Date	Start FRM.No	End FRM.No
		9	S3892-04008-08	SCREW, WASHER 4x8	2	N		20010330 20020122		KMY00SJ501C006610 KMYSE1B2S2K000001	
		10	S6001-06016-00	BOLT, FLANGE SH.6x16	2	Y		20010227 20010330 20020122		KMYSE1B4S1K000001 KMY00SJ501C006610 KMYSE1B2S2K000001	

E-05

LEFT SIDE COVER



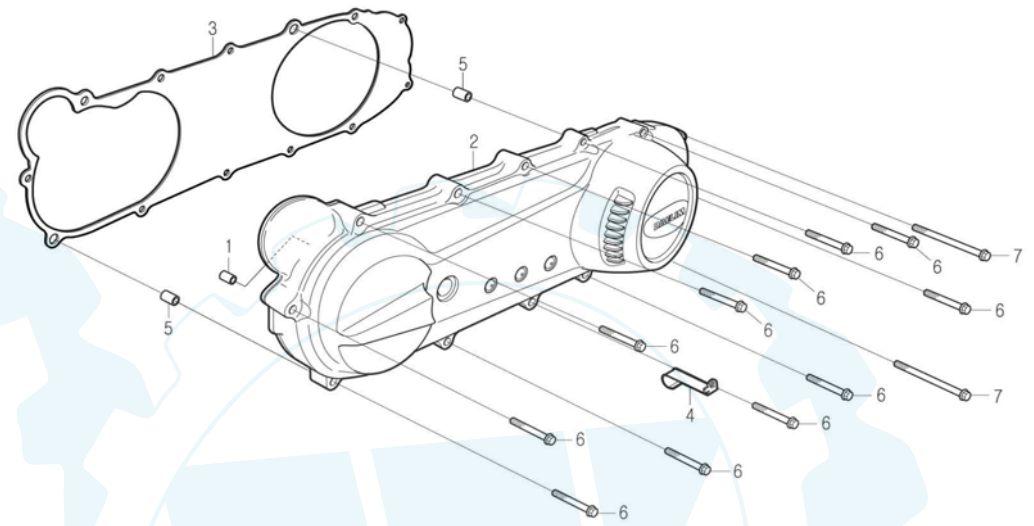
Service item	FRT	Ref. No.	Part No.	Description	QTY	A/S	Exch	Start Date	End Date	Start FRM.No	End FRM.No
COVER COMP., LH.SIDE	0.5	1	11205-SE5-7610-M1	BUSH 8x12x8	1	Y		20010227		KMYSE1B4S1K000001	
GASKET, LH.SIDE COVER	0.5	2	11340-SE1-0000	COVER COMP., LH.SIDE	1	Y		20010330		KMY00SJ501C006610	
		3	11395-SE1-RB00	GASKET, LH.SIDE COVER	1	Y		20020122		KMYSE1B2S2K000001	
			11395-SE1-0000	GASKET, LH.SIDE COVER	1	Y		20010227		KMYSE1B4S1K000001	
								20010330		KMY00SJ501C006610	
								20020122		KMYSE1B2S2K000001	
		4	43452-SE1-0000	CLAMP, RR.BRAKE CABLE	1	Y		20010227		KMYSE1B2S2K000001	
								20010330		KMY00SJ501C006610	
								20020122		KMYSE1B4S1K000001	
		5	S4301-10160	PIN, DOWEL 10x16	2	Y		20010227		KMYSE1B4S1K000001	
								20010330		KMY00SJ501C006610	
								20020122		KMYSE1B2S2K000001	
								20010227	20020701	KMYSE1B4S1K000391	KMYSE1B4S2K005853
								20010330		KMY00SJ501C006610	
								20010227		KMYSE1B4S1K000001	
								20010330		KMY00SJ501C006610	
								20020122		KMYSE1B2S2K000001	
		6	S6001-06040-00	BOLT, FLANGE SH.6x40	11	Y		20010227		KMYSE1B4S1K000001	
								20010330		KMY00SJ501C006610	
								20020122		KMYSE1B2S2K000001	
		7	S6001-06080-00	BOLT, FLANGE SH.6x80	2	Y		20010227		KMYSE1B4S1K000001	
								20010330		KMY00SJ501C006610	
								20020122		KMYSE1B2S2K000001	

E-05

LEFT SIDE COVER



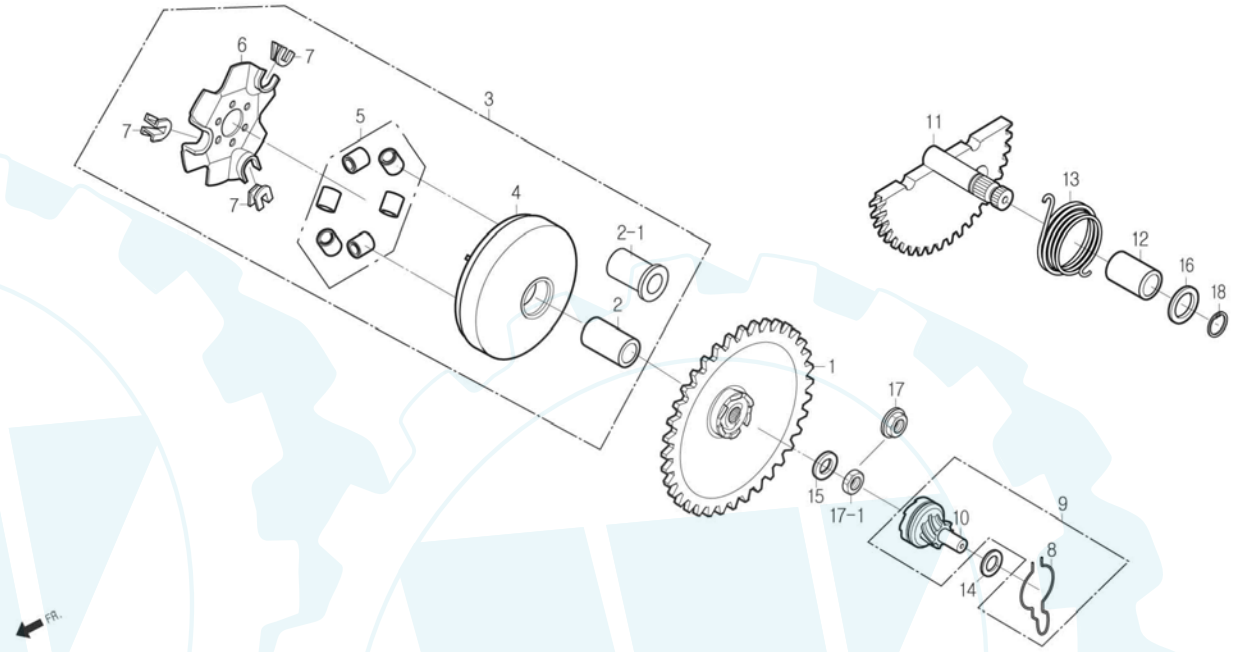
ERLING



Service item	FRT	Ref. No.	Part No.	Description	QTY	A/S	Exch	Start Date	End Date	Start FRM.No	End FRM.No

E-06

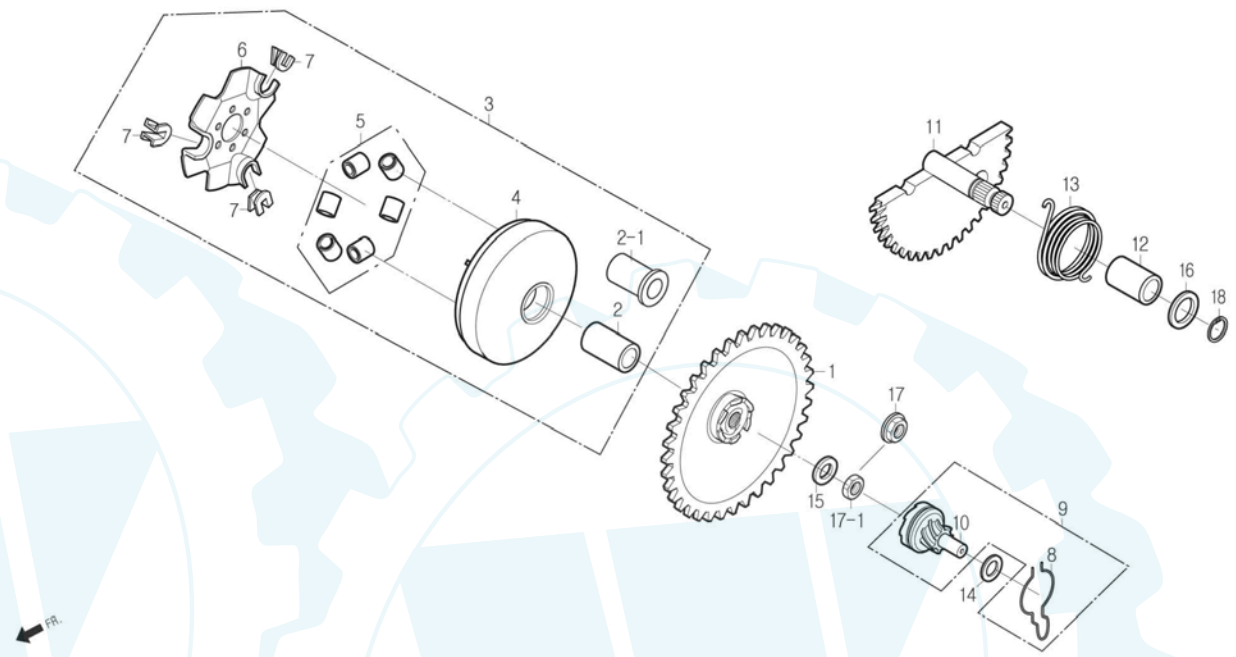
DRIVE FACE / KICK STARTER SPINDLE



Service item	FRT	Ref. No.	Part No.	Description	QTY	A/S	Exch	Start Date	End Date	Start FRM.No	End FRM.No
FACE, DRIVE	0.6	1	22102-SE6-7210-M1	FACE COMP., DRIVE	1	Y		20010227 20010330		KMYSE1B4S1K000001 KMY00SJ501C006610	
FACE COMP., MOVABLE DRIVE ROLLER COMP., WEIGHT (ONE OR ALL) (INCLUDE RELATIVE PARTS)	0.8	2	22105-SE1-0000	BOSS, DRIVE FACE	1	Y		20020122 20010319	20020701	KMYSE1B2S2K000001 KMYSE1B4S1K000391	KMYSE1B4S2K005853
		2-1	22105-SE1-RB01	BOSS, DRIVE FACE	1	Y		20010330 20010227		KMY00SJ501C006610 KMYSE1B4S1K000001	
GEAR COMP., KICK DRIVEN	0.4	3	2211A-SE1-RB01	FACE ASS'Y, MOVABLE DRIVE	1	Y		20020122 20010227		KMYSE1B2S2K000001 KMYSE1B4S1K000001	
SPINDLE COMP., KICK STARTER SPRING, KICK RETURN	0.5		2211A-SE1-0000	FACE ASS'Y, MOVABLE DRIVE	1	Y	N	20020122 20010319	20020120	KMYSE1B2S2K000001 KMYSE1B4S1K000391	KMYSE1B4S2K004354
			2211A-SE1-0010	FACE ASS'Y, MOVABLE DRIVE	1	Y		20010330 20020121	20020120 20020701	KMY00SJ501C006610 KMYSE1B4S2K004360	KMY00SJ502C015338 KMYSE1B4S2K005853
			2211A-SE1-RZ00	FACE ASS'Y, MOVABLE DRIVE(EURO2)	1	Y		20020121 20030718		KMY00SJ502C015339 KMYSE1B4S3K011156	
		4	22110-SE1-0000	FACE COMP., MOVABLE DRIVE	1	N		20010227 20010330		KMYSE1B4S1K000001 KMY00SJ501C006610	
			22110-SE5-0002	FACE COMP., MOVABLE DRIVE(EURO2)	1	N		20020122 20030718		KMYSE1B2S2K000001 KMYSE1B4S3K011156	
		5	22121-SE1-0000	ROLLER COMP., WEIGHT(8.5g)	6	Y	N	20010227 20010330	20020120 20020120	KMYSE1B4S1K000001 KMY00SJ501C006610	KMYSE1B4S2K004354 KMY00SJ502C015338
			22121-SE1-RB00	ROLLER COMP., WEIGHT(12g)	6	Y		20010411 20020121		KMYSE1B4S1K000522 KMY00SJ502C015339	
								20020122		KMYSE1B2S2K000001	

E-06

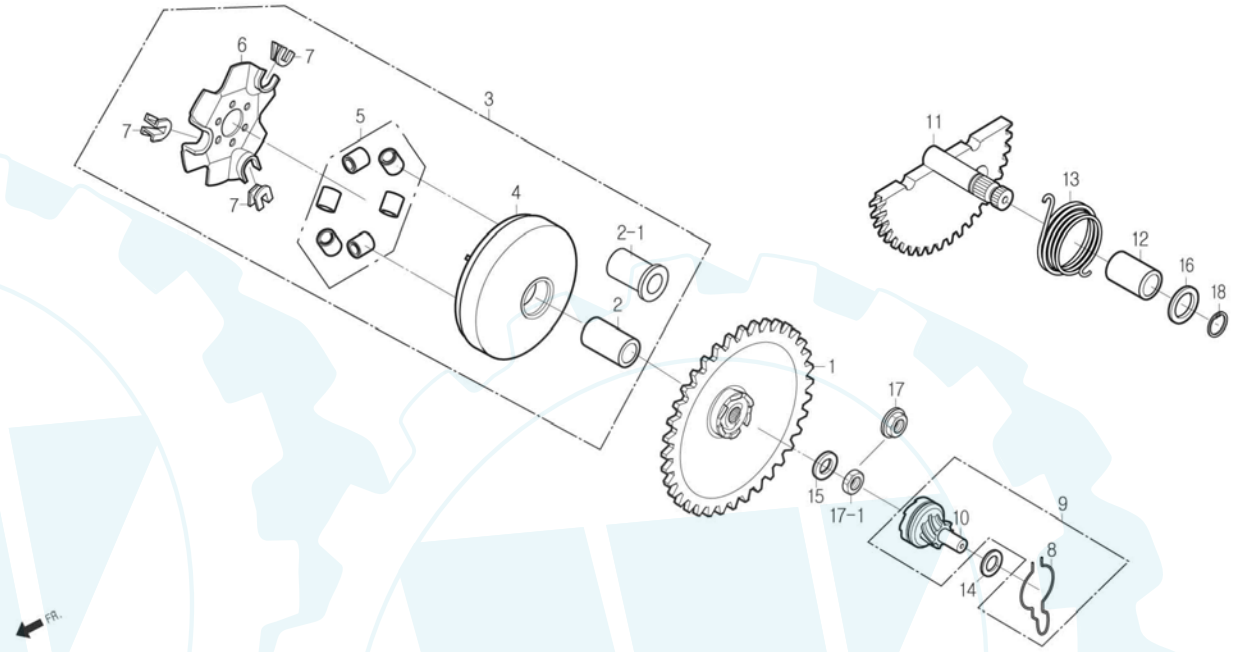
DRIVE FACE / KICK STARTER SPINDLE



Service item	FRT	Ref. No.	Part No.	Description	QTY	A/S	Exch	Start Date	End Date	Start FRM.No	End FRM.No	
			22121-SC1-0000	ROLLER COMP., WEIGHT(12g: EURO2)	6	Y		20030718		KMYSE1B4S3K011156		
		6	22131-SE1-0000	PLATE, RAMP	1	Y		20010227 20010330 20020122		KMYSE1B4S1K000001 KMY00SJ501C006610 KMYSE1B2S2K000001		
			22131-SE1-RZ00	PLATE, RAMP(EURO2)	1	Y		20030718		KMYSE1B4S3K011156		
		7	22132-SE1-0000	PIECE, SLIDE	3	Y		20010227 20010330 20020122		KMYSE1B4S1K000001 KMY00SJ501C006610 KMYSE1B2S2K000001		
			22132-SE5-0000	PIECE, SLIDE(EURO2)	3	Y		20030718		KMYSE1B4S3K011156		
		8	28223-SE1-0000	SPRING, FRICTION STARTER GEAR	1	N		20010227 20010330		KMYSE1B4S1K000001 KMY00SJ501C006610		
			9	2823A-SE1-0001	GEAR ASS'Y, KICK DRIVEN	1	Y		20010227 20010330 20020122		KMYSE1B2S2K000001 KMYSE1B4S1K000001 KMY00SJ501C006610	
		10	28230-SE1-0000	GEAR COMP., KICK DRIVEN	1	N		20010227 20010330 20020122		KMYSE1B4S1K000001 KMY00SJ501C006610 KMYSE1B2S2K000001		
			11	28250-SE5-6014	SPINDLE COMP., KICK STARTE	1	Y		20010227 20010330 20020122		KMYSE1B4S1K000001 KMY00SJ501C006610 KMYSE1B2S2K000001	

E-06

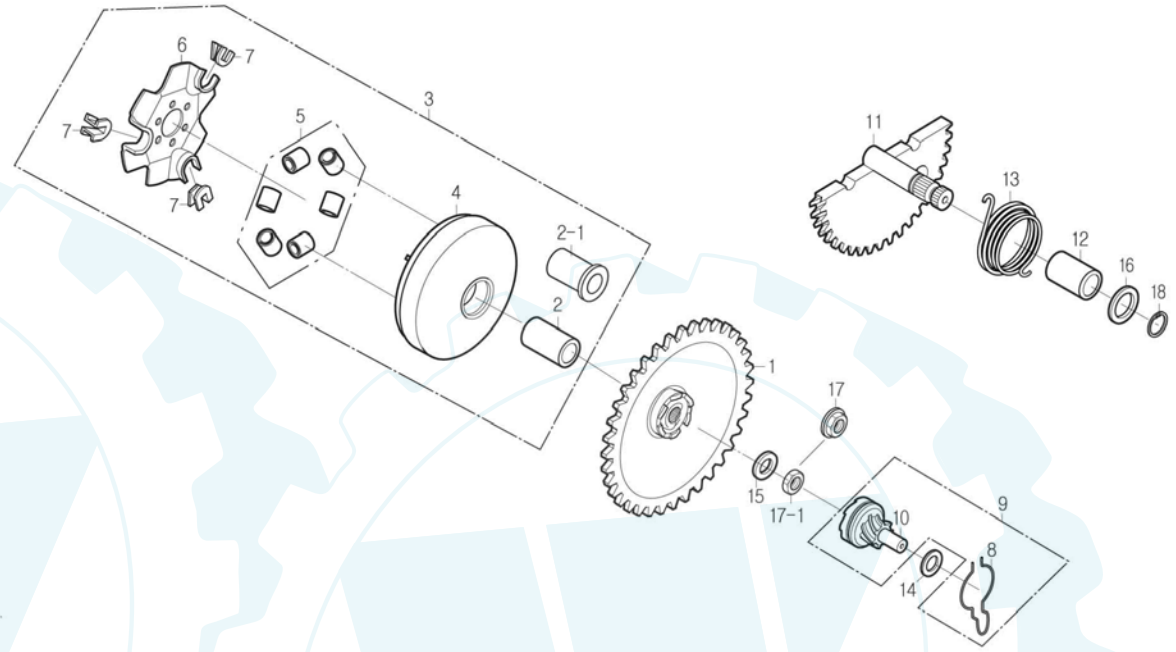
DRIVE FACE / KICK STARTER SPINDLE



Service item	FRT	Ref. No.	Part No.	Description	QTY	A/S	Exch	Start Date	End Date	Start FRM.No	End FRM.No
		12	28253-SE5-6010-M1	BUSH, KICK SPINDLE	1	Y		20010227 20010330 20020122		KMYSE1B4S1K000001 KMY00SJ501C006610 KMYSE1B2S2K000001	
		13	28281-SE5-6020-M1	SPRING, KICK RETURN	1	Y		20010227 20010330 20020122		KMYSE1B4S1K000001 KMY00SJ501C006610 KMYSE1B2S2K000001	
		14	90412-BA6-0000	WASHER, THRUST 10mm	1	Y		20010227 20010330 20020122		KMYSE1B4S1K000001 KMY00SJ501C006610 KMYSE1B2S2K000001	
		15	90426-SC1-9000	WASHER, SPECIAL 12mm	1	Y		20010302 20010330 20020122		KMYSE1B4S1K000036 KMY00SJ501C006610 KMYSE1B2S2K000001	
		16	90451-SE5-6001	WASHER, KICK SPINDLE	1	Y		20010227 20010330 20020122		KMYSE1B4S1K000001 KMY00SJ501C006610 KMYSE1B2S2K000001	
		17-1	S4001-12200-0S	NUT, HEX.12mm	1	Y		20010302 20010330 20020122		KMYSE1B4S1K000036 KMY00SJ501C006610 KMYSE1B2S2K000001	
		17	S4050-12000	NUT, FLANGE 12mm	1	Y	N	20010227	20010301	KMYSE1B4S1K000001	KMYSE1B4S1K000035
		18	S4511-14000	CIR CLIP, EXTERNAL 14mm	1	Y		20010227 20010330 20020122		KMYSE1B4S1K000001 KMY00SJ501C006610 KMYSE1B2S2K000001	

E-06

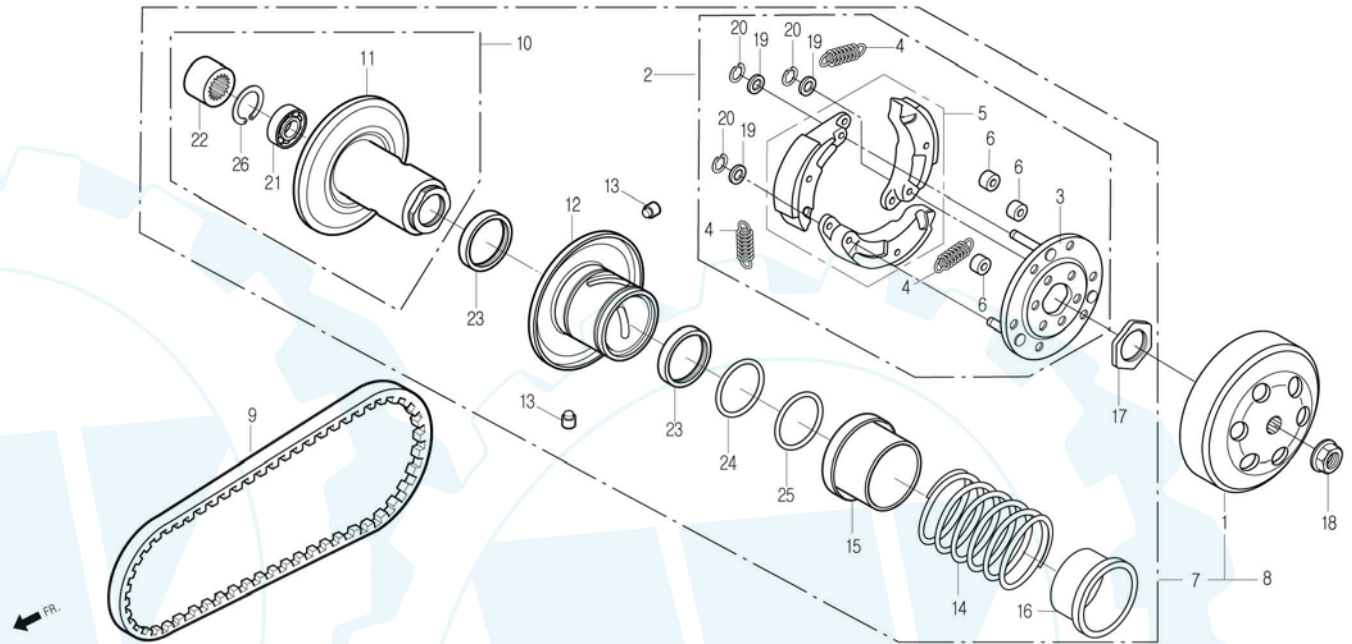
DRIVE FACE / KICK STARTER SPINDLE



Service item	FRT	Ref. No.	Part No.	Description	QTY	A/S	Exch	Start Date	End Date	Start FRM.No	End FRM.No

E-07

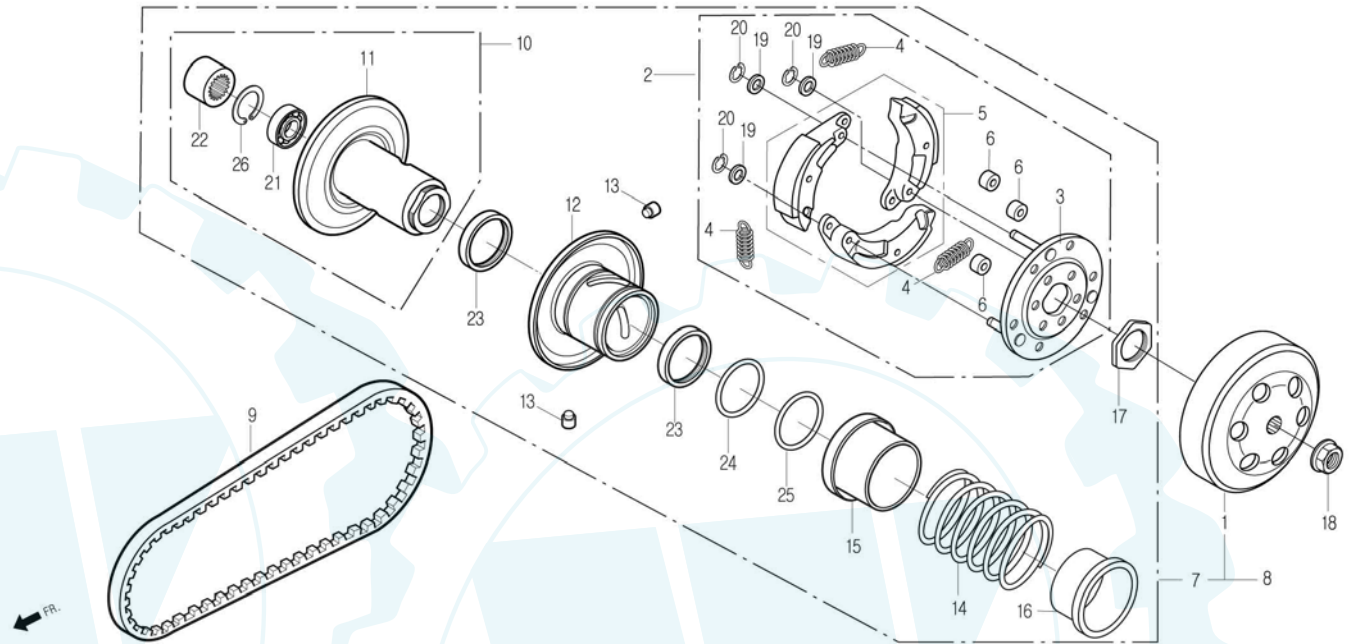
DRIVEN FACE



Service item	FRT	Ref. No.	Part No.	Description	QTY	A/S	Exch	Start Date	End Date	Start FRM.No	End FRM.No
OUTER, CLUTCH	0.3	1	22100-SE5-7501	OUTER, CLUTCH	1	Y		20010227 20010330		KMYSE1B4S1K000001 KMY00SJ501C006610	
WEIGHT SET, CLUTCH (INCLUDE RELATIVE PARTS)	1.0	2	22300-SE1-RB00 22300-SE1-0100	PLATE ASS'Y, DRIVE PLATE ASS'Y, DRIVE	1	Y	N	20010227 20010319	20010405	KMYSE1B2S2K000001 KMYSE1B4S1K000001	KMYSE1B4S1K000520
.FACE COMP., MOVABLE DRIVEN					1	Y		20010319 20010330		KMYSE1B4S1K000391 KMY00SJ501C006610	
BELT, DRIVE .SPRING, DRIVEN FACE	0.5	3	22350-SE6-9800	PLATE COMP., DRIVE	1	N		20010227 20010330 20020122		KMYSE1B2S2K000001 KMYSE1B4S1K000001 KMY00SJ501C006610	
FACE ASS'Y, DRIVEN .BEARING, REDIAL BALL .BEARING, NEEDLE 17x25x18	0.6	4	22401-SE6-9800	SPRING, CLUTCH	3	N		20010227 20010330 20020122		KMYSE1B4S1K000001 KMY00SJ501C006610 KMYSE1B2S2K000001	
		5	22530-SE1-RB00 22530-SE1-0100	WEIGHT, CLUTCH WEIGHT, CLUTCH	3	N	N	20010227 20010319 20010330 20020122	20010405	KMYSE1B4S1K000001 KMYSE1B4S1K000391 KMY00SJ501C006610 KMYSE1B2S2K000001	KMYSE1B4S1K000520
		6	22804-SC1-0000	RUBBER, CLUTCH DAMPER	3	Y		20010227 20010330 20020122		KMYSE1B4S1K000001 KMY00SJ501C006610 KMYSE1B2S2K000001	
		7	2301B-SE1-RB00 2301B-SE1-0000	PULLEY SUB ASS'Y, DRIVEN PULLEY SUB ASS'Y, DRIVEN	1	Y	N	20010227 20010319	20010405	KMYSE1B4S1K000001 KMYSE1B4S1K000391	KMYSE1B4S1K000520

E-07

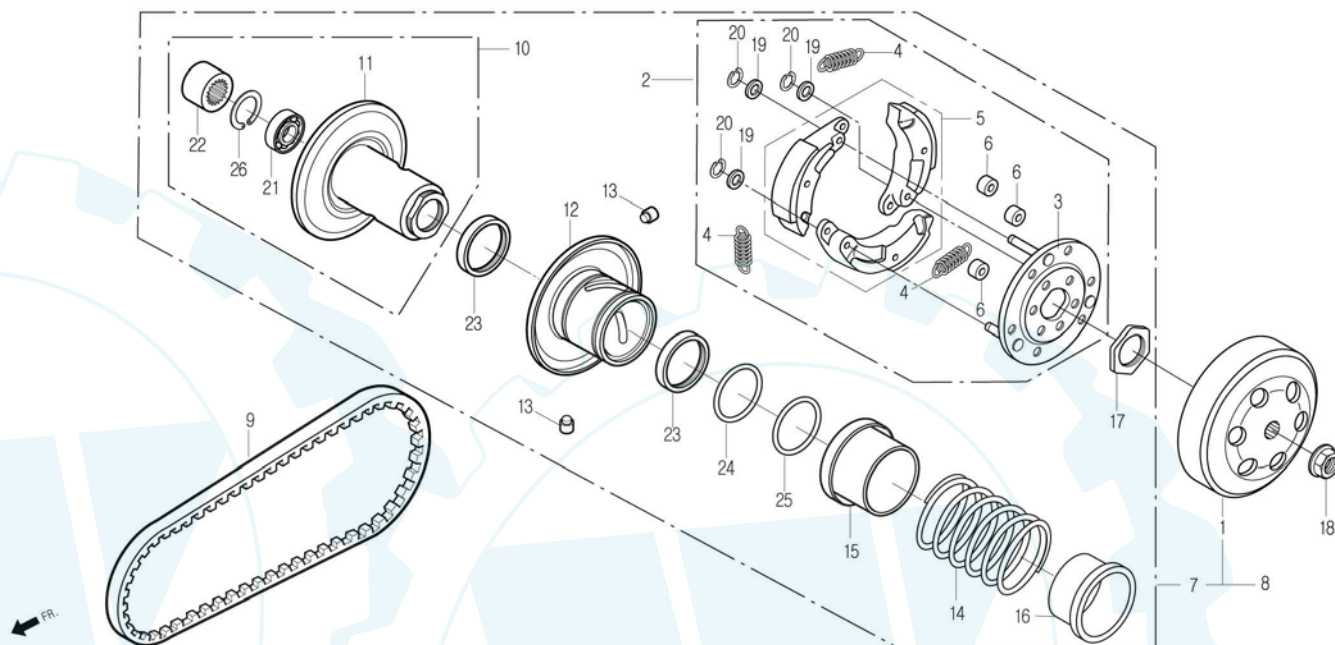
DRIVEN FACE



Service item	FRT	Ref. No.	Part No.	Description	QTY	A/S	Exch	Start Date	End Date	Start FRM.No	End FRM.No
		8	23010-SE1-RB00	PULLEY ASS'Y, DRIVEN	1	Y		20010330		KMY00SJ501C006610	
			23010-SE1-0000	PULLEY ASS'Y, DRIVEN	1	Y		20020122	20010405	KMYSE1B2S2K000001	KMYSE1B4S1K0000520
		9	23100-SE1-0000	BELT, DRIVE	1	Y		20010227		KMYSE1B4S1K000001	
								20010330		KMY00SJ501C006610	
		10	23200-SE1-0000	FACE ASS'Y, DRIVEN	1	Y		20020122		KMYSE1B2S2K000001	
								20010227		KMYSE1B4S1K000001	
		11	23210-SE1-0000	FACE COMP., DRIVEN	1	N		20010227		KMYSE1B4S1K000001	
								20010330		KMY00SJ501C006610	
		12	23220-SE1-0000	FACE COMP., MOVAVLE DRIVEN	1	Y		20020122		KMYSE1B2S2K000001	
								20010227		KMYSE1B4S1K000001	
		13	23225-SE5-0100	PIN, GUIDE	2	Y		20010330		KMY00SJ501C006610	
								20020122		KMYSE1B2S2K000001	
		14	23233-CB2-0000	SPRING, DRIVEN FACE	1	Y		20010227		KMYSE1B4S1K000001	
								20010227		KMYSE1B2S2K000001	

E-07

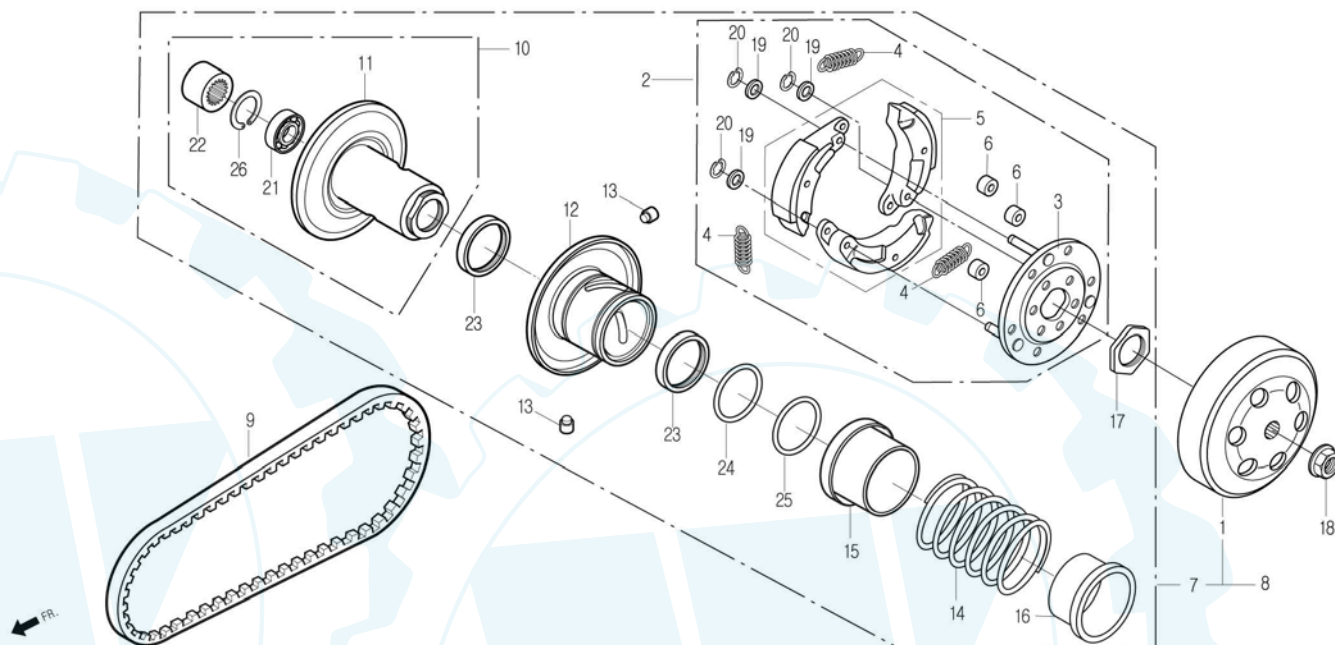
DRIVEN FACE



Service item	FRT	Ref. No.	Part No.	Description	QTY	A/S	Exch	Start Date	End Date	Start FRM.No	End FRM.No
		15	23237-SE5-0001	COLLAR, SEAL	1	Y		20010330 20020122		KMY00SJ501C006610 KMYSE1B2S2K000001	
		16	23238-SE5-0103	COLLAR, SPRING	1	Y		20010227 20010330 20020122		KMYSE1B4S1K000001 KMY00SJ501C006610 KMYSE1B2S2K000001	
		17	90202-SE5-0001	NUT, SPECIAL 28mm	1	Y		20010227 20010330 20020122		KMYSE1B4S1K000001 KMY00SJ501C006610 KMYSE1B2S2K000001	
		18	90308-SE5-0000	NUT, SPECIAL FLANGE 10mm	1	Y		20010227 20010330 20020122		KMYSE1B4S1K000001 KMY00SJ501C006610 KMYSE1B2S2K000001	
		19	90442-SC1-0002	WASHER, THRUST 6mm	3	N		20010227 20010330 20020122		KMYSE1B4S1K000001 KMY00SJ501C006610 KMYSE1B2S2K000001	
		20	90603-SC1-0004	CIR CLIP 6mm	3	N		20010227 20010330 20020122		KMYSE1B4S1K000001 KMY00SJ501C006610 KMYSE1B2S2K000001	
		21	91001-SE5-7011-M1	BEARING, RADIAL BALL 6901 U	1	Y		20010227 20010330		KMYSE1B4S1K000001 KMY00SJ501C006610	

E-07

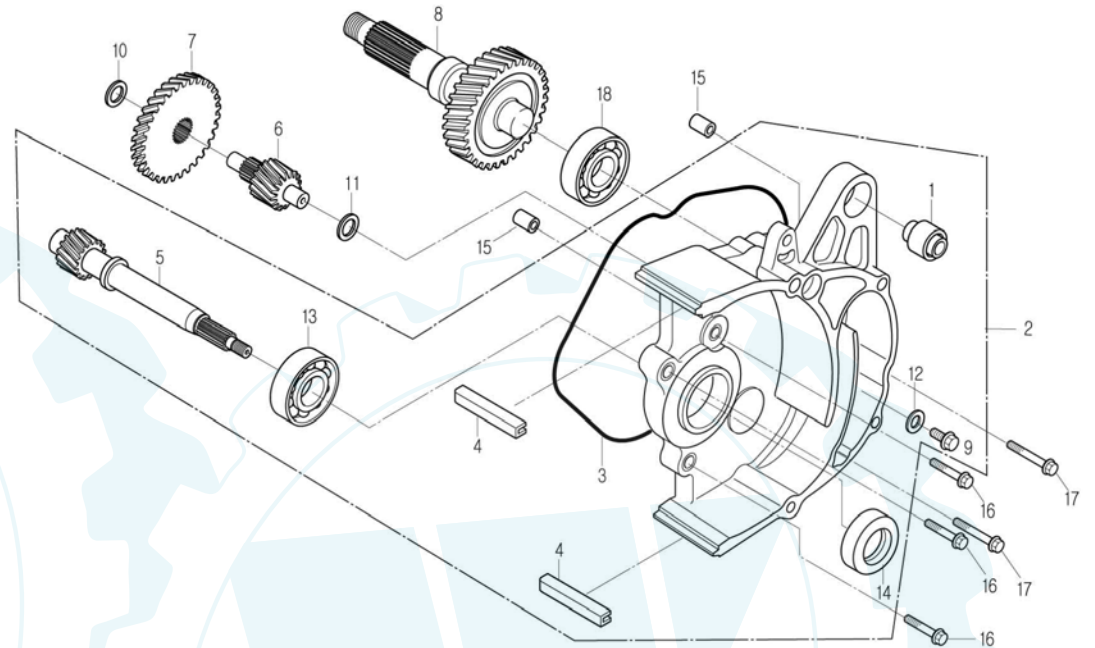
DRIVEN FACE



Service item	FRT	Ref. No.	Part No.	Description	QTY	A/S	Exch	Start Date	End Date	Start FRM.No	End FRM.No
		22	91103-SE5-0030	BEARING, NEEDLE 17x25x18 WS	1	Y		20020122		KMYSE1B2S2K000001	
		23	91211-SE5-0130	OIL SEAL 34x39x3	2	Y		20010227		KMYSE1B4S1K000001	
		24	91351-SE5-1000	O-RING 38.5x2	1	Y		20010330		KMY00SJ501C006610	
		25	91351-SE5-0000	O-RING, PINION CAP	1	Y		20020122		KMYSE1B2S2K000001	
		26	S4520-24000	CIR CLIP, INTERNAL 24	1	N		20010227		KMYSE1B4S1K000001	
								20010330		KMY00SJ501C006610	
								20020122		KMYSE1B2S2K000001	

E-08

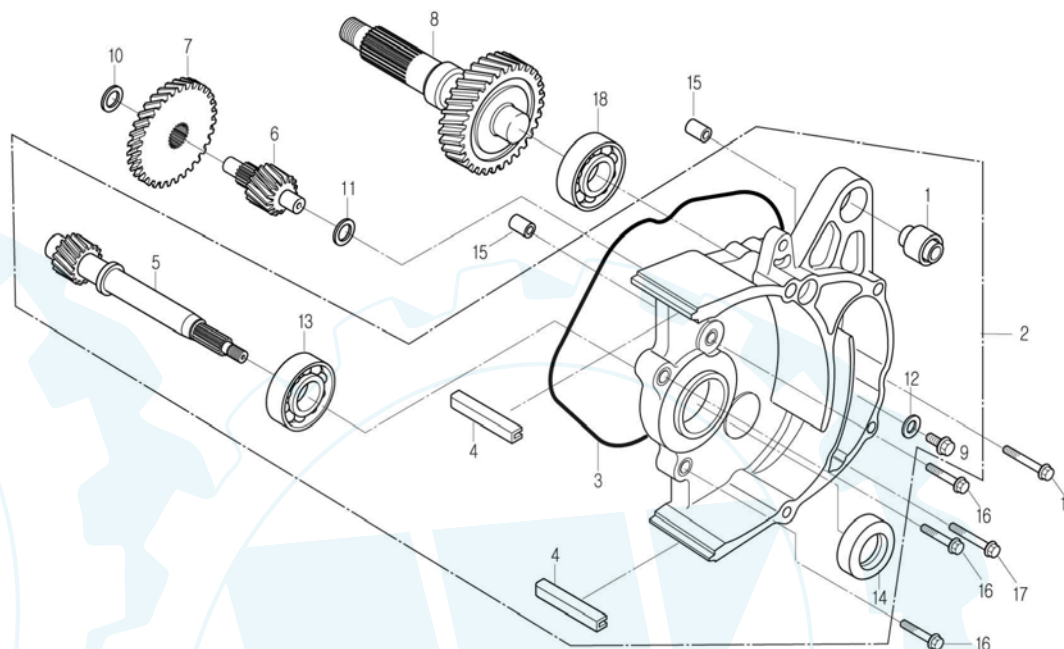
TRANSMISSION



Service item	FRT	Ref. No.	Part No.	Description	QTY	A/S	Exch	Start Date	End Date	Start FRM.No	End FRM.No
COVER, MISSION	0.8	1	11204-SA1-0000	BUSH, RR.CUSHION UNDER RUBBER	1	N		20010227		KMYSE1B4S1K000001	
GASKET, MISSION COVER .SEAL, OIL 17x30x5	0.6	2	2130A-SE1-0000	COVER ASS'Y, MISSION	1	Y		20010330		KMY00SJ501C006610	
SHAFT, DRIVE .SHAFT, COUNTER .GEAR, COUNTER .BEARING, BALL 6202 .BEARING, RADIAL BALL 6203 TMB	0.7	3	21395-SE1-0000	SEAL, MISSION COVER	1	Y		20010227		KMYSE1B4S1K000001	
GEAR COMP., FINAL	0.9	4	21396-SE1-0000	GUIDE RUBBER, MISSION COVER	2	Y		20010330		KMY00SJ501C006610	
								20020122		KMYSE1B2S2K000001	
		5	23411-SE1-0000	SHAFT, DRIVE	1	Y		20010227		KMYSE1B4S1K000001	
								20010330		KMY00SJ501C006610	
								20020122		KMYSE1B2S2K000001	
		6	23421-SE1-0000	SHAFT, COUNTER	1	Y		20010227		KMYSE1B4S1K000001	
								20010330		KMY00SJ501C006610	
								20020122		KMYSE1B2S2K000001	
		7	23422-SE1-0000	GEAR, COUNTER	1	Y		20010227		KMYSE1B4S1K000001	
								20010330		KMY00SJ501C006610	
								20020122		KMYSE1B2S2K000001	
		8	23430-SE1-0000	GEAR COMP., FINAL	1	Y		20010227		KMYSE1B4S1K000001	

E-08

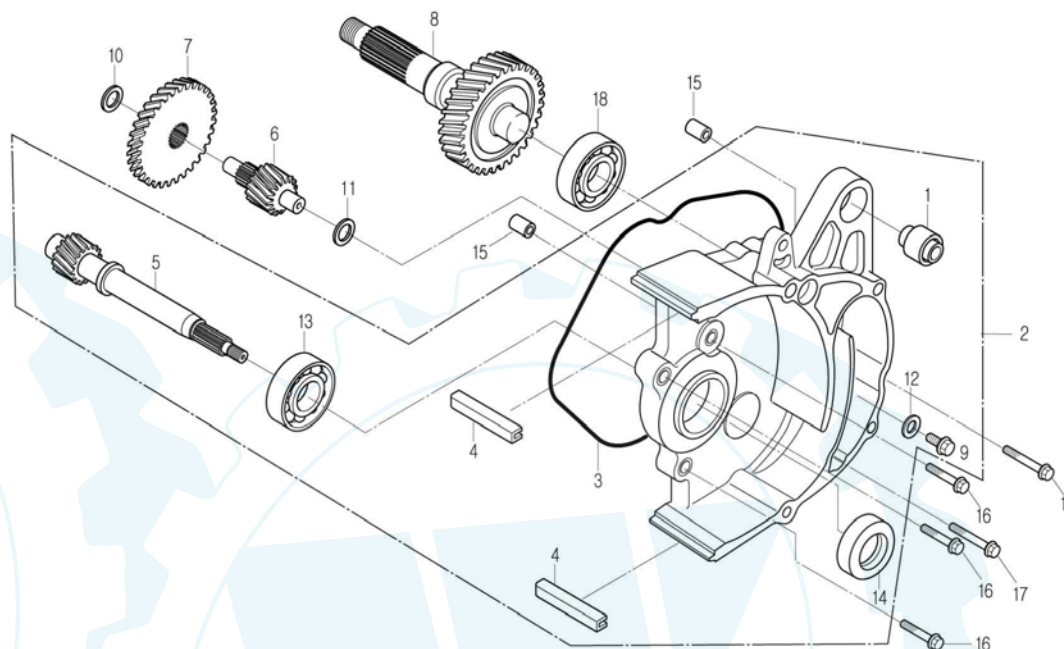
TRANSMISSION



Service item	FRT	Ref. No.	Part No.	Description	QTY	A/S	Exch	Start Date	End Date	Start FRM.No	End FRM.No
		9	90035-SE5-0000	BOLT, CHECK	1	Y		20010330		KMY00SJ501C006610	
		10	90429-SE5-0030	WASHER, SIDE 14mm	1	Y		20020122		KMYSE1B2S2K000001	
		11	90454-SE5-0000	WASHER, THRUST 14mm	1	Y		20010227		KMYSE1B4S1K000001	
		12	90481-CB2-0001	WASHER, 8mm	1	Y		20010330		KMY00SJ501C006610	
		13	91004-SC1-7010-M1	BEARING, RADIAL BALL 6203(TMB)	1	Y		20020122		KMYSE1B2S2K000001	
		14	91204-SE5-0051	OIL SEAL 17x30x5	1	Y		20010227		KMYSE1B4S1K000001	
		15	S4301-10160	PIN, DOWEL 10x16	2	Y		20010330		KMY00SJ501C006610	
								20020122		KMYSE1B2S2K000001	
								20010227		KMYSE1B4S1K000001	
								20010330		KMY00SJ501C006610	
								20020122		KMYSE1B2S2K000001	
								20010227		KMYSE1B4S1K000001	
								20010330		KMY00SJ501C006610	

E-08

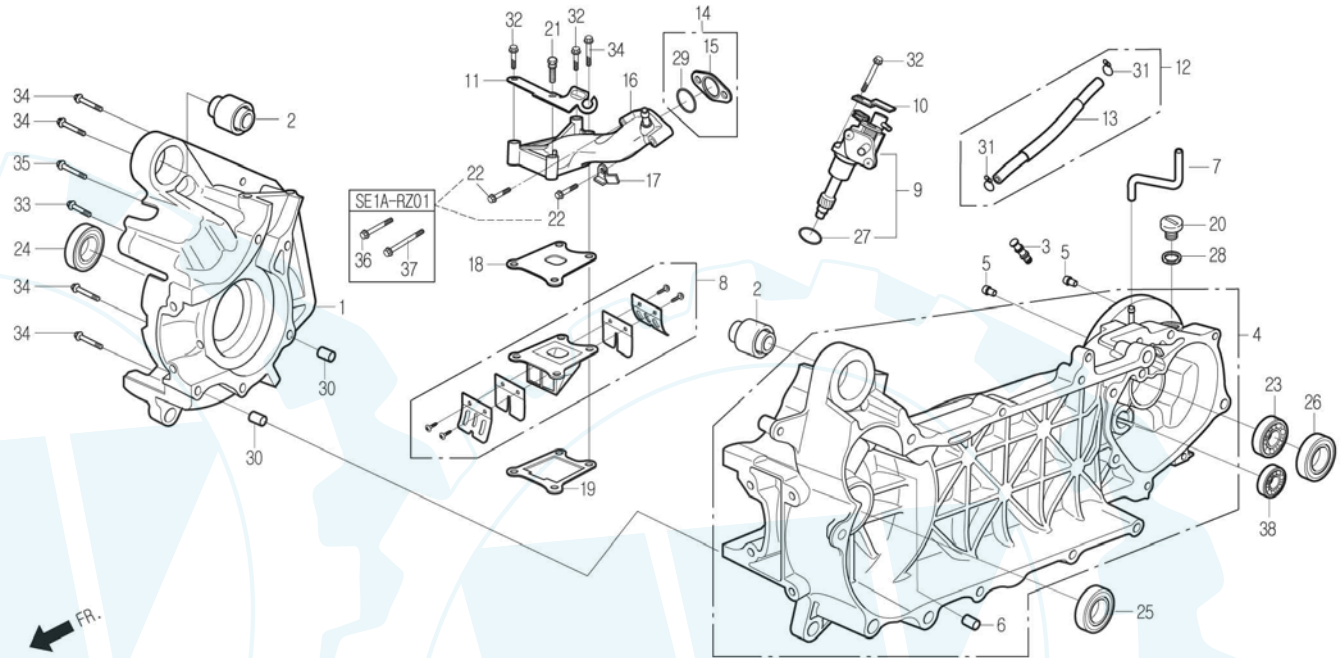
TRANSMISSION



Service item	FRT	Ref. No.	Part No.	Description	QTY	A/S	Exch	Start Date	End Date	Start FRM.No	End FRM.No
								20020122		KMYSE1B2S2K000001	
		16	S6001-06028-00	BOLT, FLANGE SH.6x28	3	Y		20010227		KMYSE1B4S1K000001	
								20010330		KMY00SJ501C006610	
								20020122		KMYSE1B2S2K000001	
		17	S6001-06035-00	BOLT, FLANGE SH.6x35	2	Y		20010227		KMYSE1B4S1K000001	
								20010330		KMY00SJ501C006610	
								20020122		KMYSE1B2S2K000001	
		18	S6100-62023-00	BEARING, BALL 6202	1	Y		20010227		KMYSE1B4S1K000001	
								20010330		KMY00SJ501C006610	
								20020122		KMYSE1B2S2K000001	

E-09

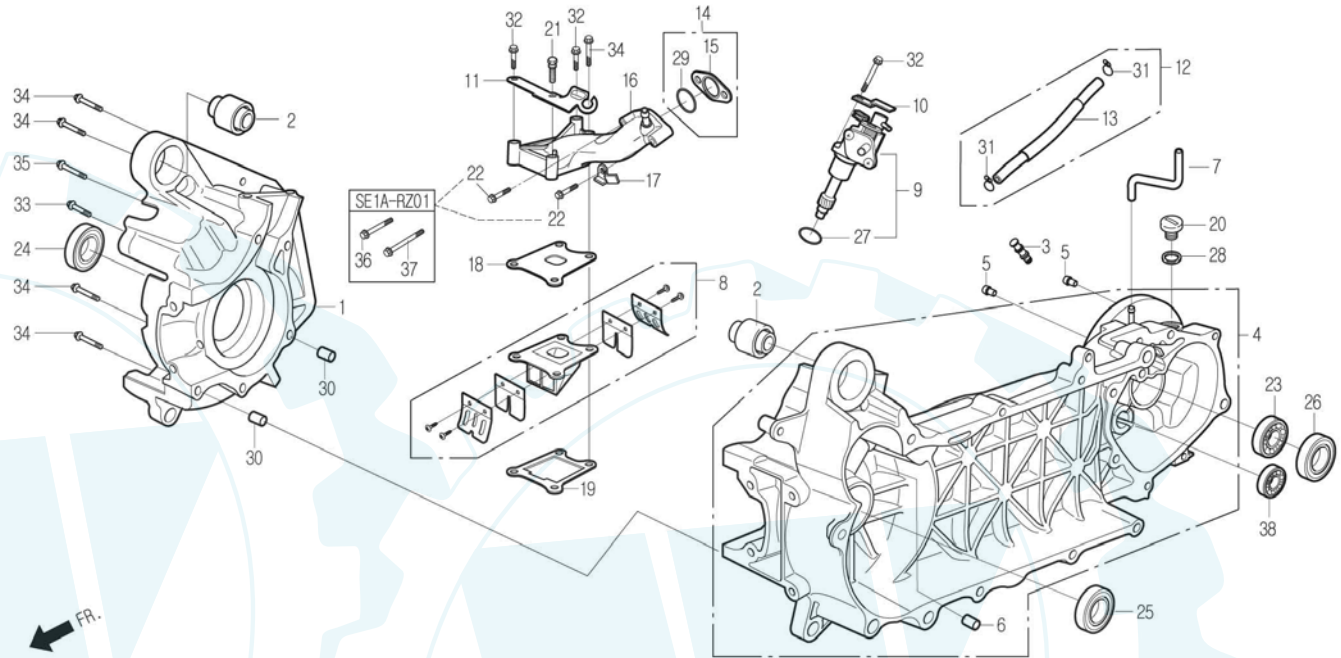
CRANK CASE / OIL PUMP



Service item	FRT	Ref. No.	Part No.	Description	QTY	A/S	Exch	Start Date	End Date	Start FRM.No	End FRM.No
CASE, RH.CRANK	2.7	1	11100-SE1-0000	CASE, RH.CRANK	1	Y		20010227		KMYSE1B4S1K000001	
BODY, LH.CRANK CASE	3.6							20010330		KMY00SJ501C006610	
BUSH,ENGINE HANGER RUBBER	0.5	2	11102-SE5-0033	BUSH, ENGINE HANGER RUBBER	2	Y	N	20010227	20011223	KMYSE1B4S1K000001	KMYSE1B4S2K004298
VALVE COMP., REED	0.8		11102-SE5-0040-M1	BUSH, ENGINE HANGER RUBBER	2	Y		20010330	20011223	KMY00SJ501C006610	KMY00SJ502C015338
PUMP ASS'Y, OIL	0.6							20011224		KMYSE1B4S2K004299	
PIPE COMP., IN.	0.7	3	1120A-CB2-0000	PIN ASS'Y, BRAKE SHOE ANCHOR	1	Y		20011224		KMY00SJ502C015339	
INSULATOR, CARBURETOR	0.5	4	11200-SE1-0000	CASE, LH.CRANK	1	Y		20020122		KMYSE1B2S2K000001	
BEARING, RADIAL BALL 6203UU	1.0	5	11202-SE5-3002	RUBBER, SPRING GUIDE	2	Y		20010227		KMYSE1B4S1K000001	
SEAL, OIL 24x40x7	0.9	6	11205-SE5-7610-M1	BUSH 8x12x8	1	Y		20010330		KMY00SJ501C006610	
SEAL, OIL 15.6x25.5x7 (SIDE, LH. 2.8)		7	11211-SE1-0000	TUBE, BREATHER	1	Y		20020122		KMYSE1B2S2K000001	
								20010227		KMYSE1B4S1K000001	
								20010330		KMY00SJ501C006610	
								20020122		KMYSE1B2S2K000001	
								20010227		KMYSE1B4S1K000001	
								20010330		KMY00SJ501C006610	

E-09

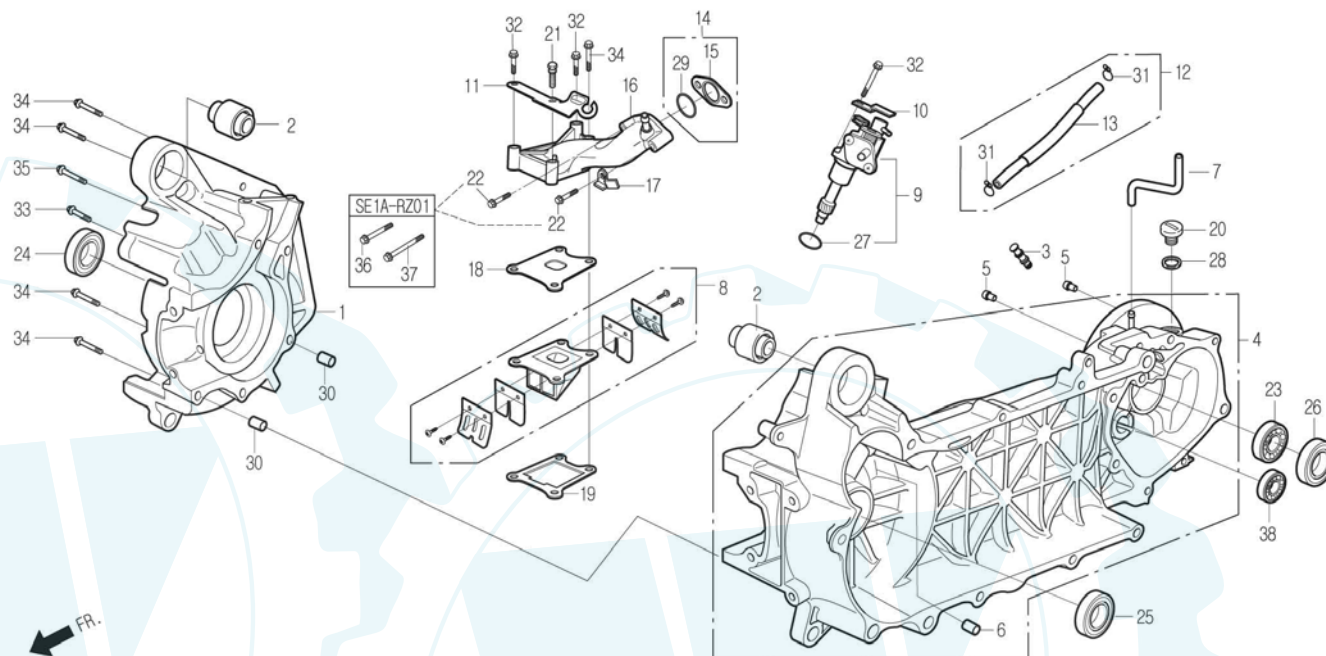
CRANK CASE / OIL PUMP



Service item	FRT	Ref. No.	Part No.	Description	QTY	A/S	Exch	Start Date	End Date	Start FRM.No	End FRM.No
		8	14100-SE1-0030	VALVE COMP., REED	1	Y		20020122		KMYSE1B2S2K000001	
		9	15100-SE1-0000	PUMP ASS'Y, OIL	1	Y		20010227		KMYSE1B4S1K000001	
		10	15111-SE1-0000	PLATE, OIL PUMP SETTING	1	Y		20010330		KMY00SJ501C006610	
								20020122		KMYSE1B2S2K000001	
		11	15113-SE1-0000	PLATE, OIL PUMP ANCHOR	1	Y		20010227		KMYSE1B4S1K000001	
								20010330		KMY00SJ501C006610	
		12	1552A-SE1-0000	TUBE ASS'Y, OIL PASS	1	Y		20020122		KMYSE1B2S2K000001	
								20010227		KMYSE1B4S1K000001	
			1552A-SE1-RZ00	TUBE ASS'Y, OIL PASS(EURO2)	1	Y		20010330		KMY00SJ501C006610	
								20020122		KMYSE1B2S2K000001	
		13	15525-SE1-0000	TUBE COMP., OIL PASS	1	N		20030718		KMYSE1B4S3K011156	
								20010227		KMYSE1B4S1K000001	
								20010330		KMY00SJ501C006610	
								20020122		KMYSE1B2S2K000001	
			15525-SE1-RZ00	TUBE COMP., OIL PASS(EURO2)	1	N		20030718		KMYSE1B4S3K011156	
		14	1621A-SC1-9500	INSULATOR ASS'Y, CARBURETOR	1	Y		20010227		KMYSE1B4S1K000001	

E-09

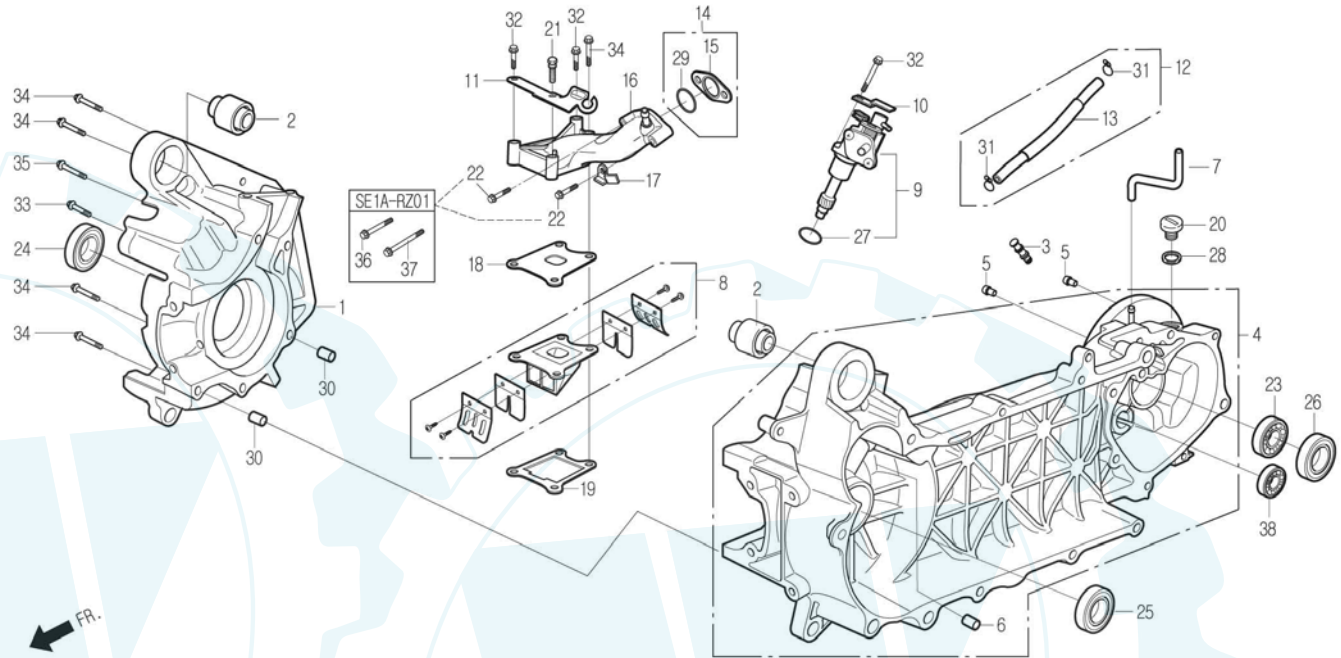
CRANK CASE / OIL PUMP



Service item	FRT	Ref. No.	Part No.	Description	QTY	A/S	Exch	Start Date	End Date	Start FRM.No	End FRM.No
			1621A-SE5-0000	INSULATOR ASS'Y, CARBURETOR(EURO2)	1	Y		20010330		KMY00SJ501C006610	
		15	16211-SC1-9500	INSULATOR, CARBURETOR	1	N		20020122		KMYSE1B2S2K000001	
								20030718		KMYSE1B4S3K011156	
								20010227		KMYSE1B4S1K000001	
								20010330		KMY00SJ501C006610	
								20020122		KMYSE1B2S2K000001	
		16	17100-SE1-0100	PIPE COMP., IN.	1	Y		20010227		KMYSE1B4S1K000001	
								20010330		KMY00SJ501C006610	
								20020122		KMYSE1B2S2K000001	
			17100-SE1-RZ00	PIPE COMP., IN.(EURO2)	1	Y		20030718		KMYSE1B4S3K011156	
		17	17104-SE5-9000	STAY, TUBE	1	Y		20010227		KMYSE1B4S1K000001	
								20010330		KMY00SJ501C006610	
								20020122		KMYSE1B2S2K000001	
		18	17111-SE1-RB00	GASKET, IN.PIPE A	1	Y		20010227		KMYSE1B4S1K000001	
								20020122		KMYSE1B2S2K000001	
			17111-SE1-0000	GASKET, IN.PIPE A	1	Y		20010319	20020701	KMYSE1B4S1K000391	KMYSE1B4S2K005853
								20010330		KMY00SJ501C006610	
		19	17112-SE1-RB00	GASKET, IN.PIPE B	1	Y		20010227		KMYSE1B4S1K000001	
								20020122		KMYSE1B2S2K000001	
			17112-SE1-0000	GASKET, IN.PIPE B	1	Y		20010319	20020701	KMYSE1B4S1K000391	KMYSE1B4S2K005853
								20010330		KMY00SJ501C006610	
		20	90084-CB2-8300	CAP, A.C GENERATOR	1	Y		20010227		KMYSE1B4S1K000001	

E-09

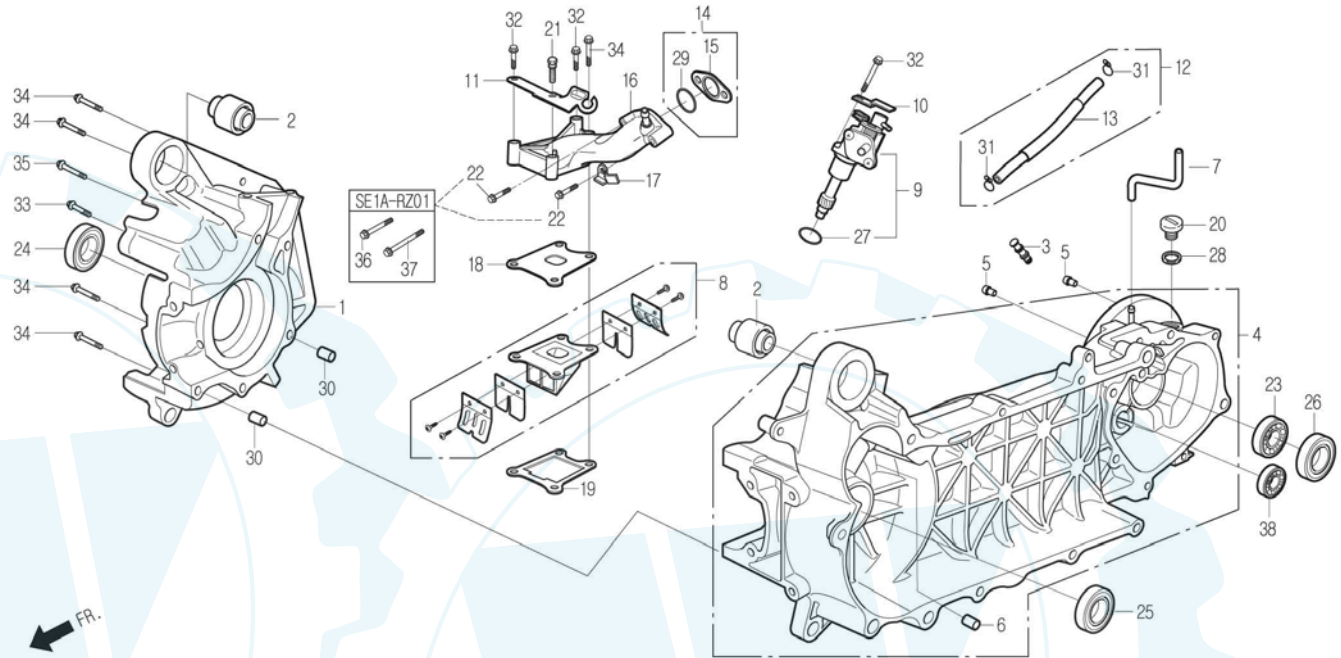
CRANK CASE / OIL PUMP



Service item	FRT	Ref. No.	Part No.	Description	QTY	A/S	Exch	Start Date	End Date	Start FRM.No	End FRM.No
		21	90086-SE5-0000-EU	BOLT, IN.PIPE SPECIAL	1	Y		20010330 20020122 20010227		KMY00SJ501C006610 KMYSE1B2S2K000001 KMYSE1B4S1K000001	
		22	91001-SE5-0000	BOLT, FLANGE 6x37	2	Y	N	20010227 20010330	20010401 20010401	KMYSE1B4S1K000001 KMY00SJ501C006610	KMYSE1B4S1K000520 KMY00SJ501C006948
			91001-SE1-0000	BOLT, FLANGE 6x37	2	Y		20010402 20010402		KMYSE1B4S1K000521 KMY00SJ501C006949	
		23	91009-SC1-0030	BEARING, RADIAL BALL 6004 UU	1	Y		20020122 20010227 20010330		KMYSE1B2S2K000001 KMYSE1B4S1K000001 KMY00SJ501C006610	
		24	91201-SE1-0000	SEAL, OIL 15.6x25.5x7	1	Y		20020122 20010227 20010330		KMYSE1B2S2K000001 KMYSE1B4S1K000001 KMY00SJ501C006610	
		25	91202-SE1-0000	SEAL, OIL 19.4x31x7	1	Y		20020122 20010227 20010330		KMYSE1B2S2K000001 KMYSE1B4S1K000001 KMY00SJ501C006610	
		26	91204-SA1-0000	SEAL, OIL 30x42x7	1	Y		20020122 20010227 20010330		KMYSE1B2S2K000001 KMYSE1B4S1K000001 KMY00SJ501C006610	
		27	91301-BA6-0000	O-RING 18.3x2.3	1	N		20020122 20010227		KMYSE1B2S2K000001 KMYSE1B4S1K000001	

E-09

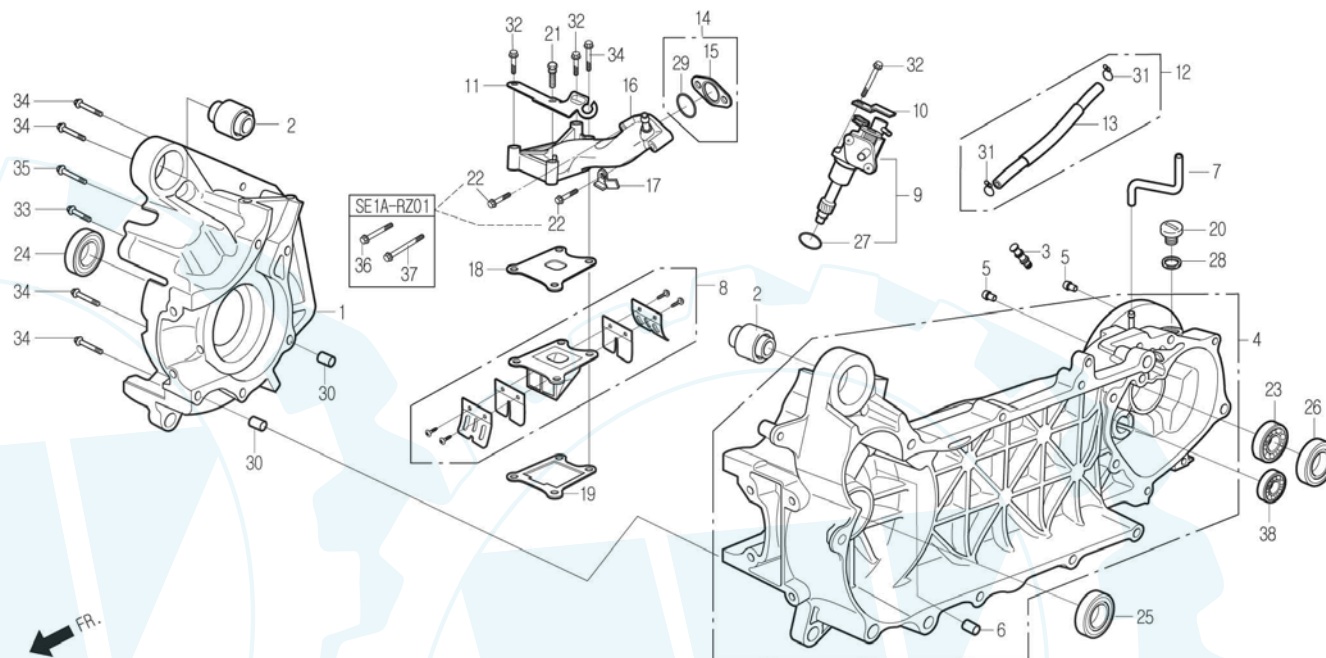
CRANK CASE / OIL PUMP



Service item	FRT	Ref. No.	Part No.	Description	QTY	A/S	Exch	Start Date	End Date	Start FRM.No	End FRM.No
		28	91303-CB2-1000	O-RING 13.8x2.5	1	Y		20010330		KMY00SJ501C006610	
								20020122		KMYSE1B2S2K000001	
								20010227		KMYSE1B4S1K000001	
								20010330		KMY00SJ501C006610	
								20020122		KMYSE1B2S2K000001	
		29	91304-SC1-0030	O-RING 20.6x1.9	1	N		20010227		KMYSE1B4S1K000001	
								20010330		KMY00SJ501C006610	
								20020122		KMYSE1B2S2K000001	
		30	S4301-08200	PIN, DOWEL 8x20	2	N	Y	20010227	20020909	KMYSE1B4S1K000001	KMYSE1B4S2K006274
								20010330	20020909	KMY00SJ501C006610	KMY00SJ502C016033
								20020122	20020909	KMYSE1B2S2K000001	KMYSE1B2S3K000090
			90701-SE5-0000	PIN, DOWEL SPECIAL 8x20	2	Y		20020910		KMYSE1B4S2K006275	
								20020910		KMY00SJ502C016034	
								20020910		KMYSE1B2S3K000091	
		31	S5002-02650	CLIP, TUBE B6.5	2	N		20010227		KMYSE1B4S1K000001	
								20010330		KMY00SJ501C006610	
								20020122		KMYSE1B2S2K000001	
		32	S6001-06032-00	BOLT, FLANGE SH.6x32	3	Y		20010227		KMYSE1B4S1K000001	
								20010330		KMY00SJ501C006610	
								20020122		KMYSE1B2S2K000001	
		33	S6001-06035-00	BOLT, FLANGE SH.6x35	1	Y		20010227		KMYSE1B4S1K000001	
								20010330		KMY00SJ501C006610	

E-09

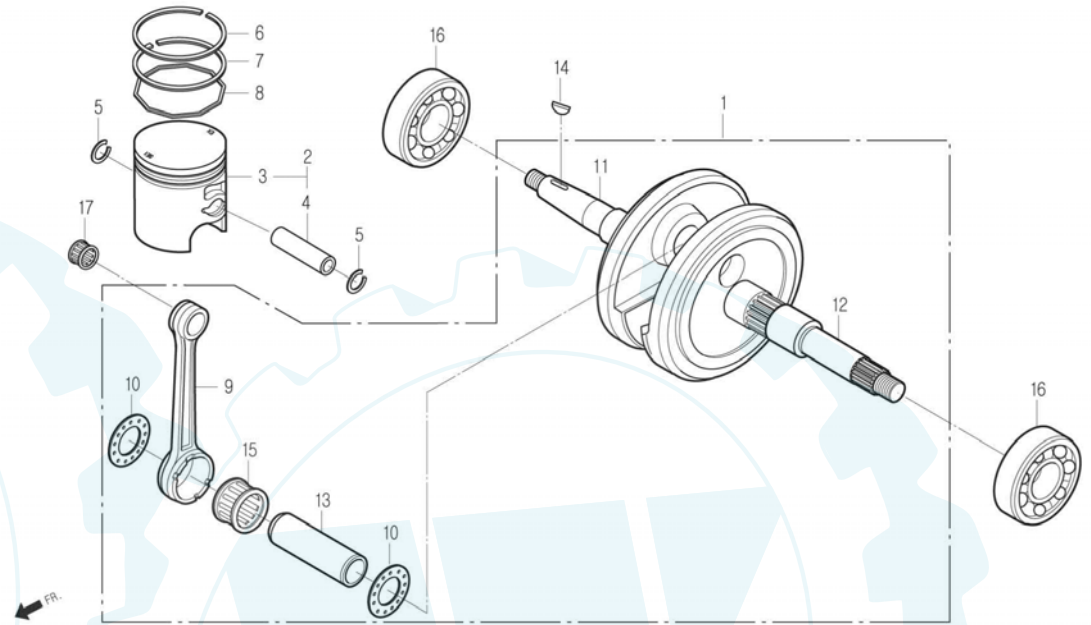
CRANK CASE / OIL PUMP



Service item	FRT	Ref. No.	Part No.	Description	QTY	A/S	Exch	Start Date	End Date	Start FRM.No	End FRM.No
		34	S6001-06045-00	BOLT, FLANGE SH.6x45	5	Y		20020122		KMYSE1B2S2K000001	
		35	S6001-06050-00	BOLT, FLANGE SH.6x50	1	Y		20010227		KMYSE1B4S1K000001	
		36	S6001-06065-00	BOLT, FLANGE SH.6x65(EURO2)	1	Y		20010330		KMY00SJ501C006610	
		37	S6001-06080-00	BOLT, FLANGE SH.6x80(EURO2)	1	Y		20020122		KMYSE1B2S2K000001	
		38	S6100-62013-00	BEARING, BALL 6201	1	Y		20010227		KMYSE1B4S1K000001	
								20010330		KMY00SJ501C006610	
								20020122		KMYSE1B2S2K000001	

E-10

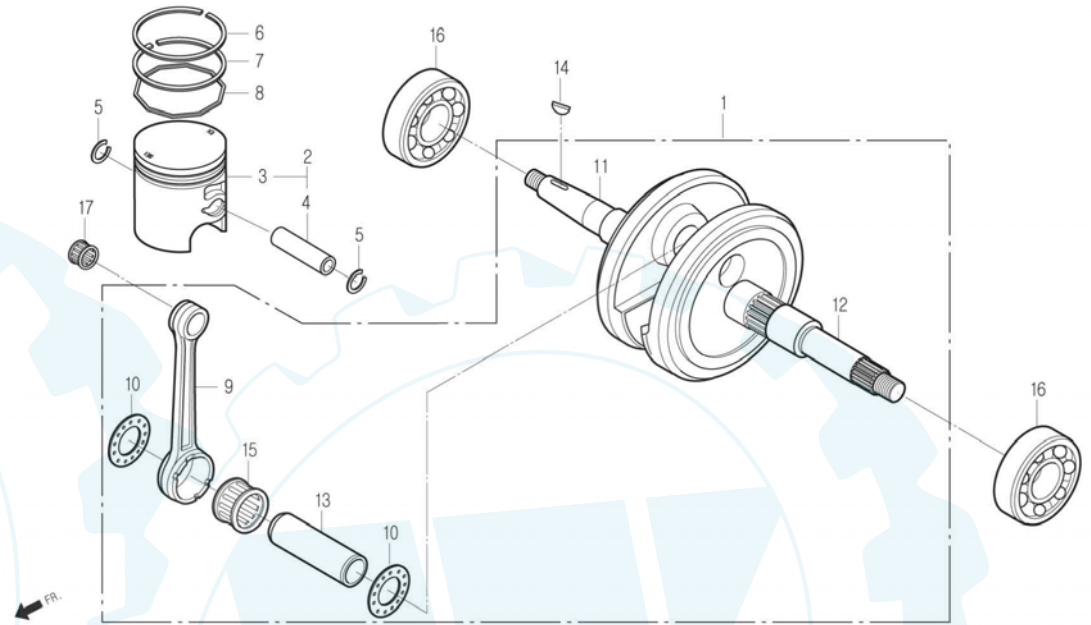
CRANK SHAFT / PISTON



Service item	FRT	Ref. No.	Part No.	Description	QTY	A/S	Exch	Start Date	End Date	Start FRM.No	End FRM.No
SHAFT COMP., CRANK	3.0	1	13000-SE1-0000	SHAFT COMP., CRANK	1	Y		20010227		KMYSE1B4S1K000001	
BEARING, RADIAL BALL 20x56x12 (SIDE, LH. 2.9) (ADD 0.2 FOR EACH)	3.0	2	1310A-SE1-0000	PISTON SET	1	Y		20010330		KMY00SJ501C006610	
RING SET, PISTON	1.2	3	13101-SE1-0000	PISTON	1	Y		20020122		KMYSE1B2S2K000001	
.PISTON								20010227		KMYSE1B4S1K000001	
.PIN, PISTON								20010330		KMY00SJ501C006610	
ROD, CONNECTING (INCLUDE RELATIVE PARTS)	3.0	4	13111-SE5-0001	PIN, PISTON	1	Y		20020122		KMYSE1B2S2K000001	
		5	13115-SE5-0000	CLIP, PISTON PIN 12mm	2	Y		20010227		KMYSE1B4S1K000001	
								20010330		KMY00SJ501C006610	
								20020122		KMYSE1B2S2K000001	
		6	13121-SE5-0000	RING, PISTON TOP	1	Y		20010227		KMYSE1B4S1K000001	
								20010330		KMY00SJ501C006610	
								20020122		KMYSE1B2S2K000001	
		7	13131-SE5-0000	RING, PISTON 2ND	1	Y		20010227		KMYSE1B4S1K000001	
								20010330		KMY00SJ501C006610	
								20020122		KMYSE1B2S2K000001	
		8	13136-SE5-0000	EXPANDER	1	Y		20010227		KMYSE1B4S1K000001	

E-10

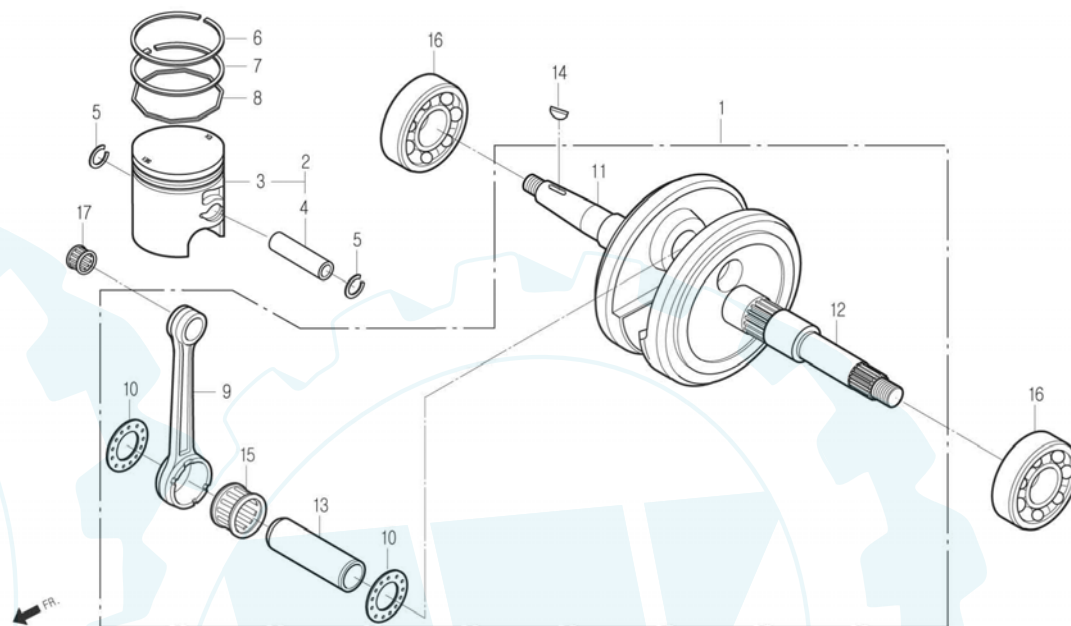
CRANK SHAFT / PISTON



Service item	FRT	Ref. No.	Part No.	Description	QTY	A/S	Exch	Start Date	End Date	Start FRM.No	End FRM.No
		9	13201-SE1-0000	ROD, CONNECTING	1	Y		20010330		KMY00SJ501C006610	
		10	13202-SE5-0030-H1	PLATE, CONNECTING ROD SIDE	2	Y		20020122		KMYSE1B2S2K000001	
		11	13311-SE1-0000-H1	SHAFT, RH.CRANK	1	Y		20010227		KMYSE1B4S1K000001	
		12	13321-SE1-0000-H1	SHAFT, LH.CRANK	1	Y		20010330		KMY00SJ501C006610	
		13	13381-SE6-7210-Y1	PIN, CRANK	1	Y		20020122		KMYSE1B2S2K000001	
		14	90741-CB2-0003	KEY, WOODRUFF	1	Y		20010227		KMYSE1B4S1K000001	
		15	91002-SE6-9800-H1	BEARING, CONNECTING ROD BIG END	1	Y		20010330		KMY00SJ501C006610	
								20020122		KMYSE1B2S2K000001	
								20010227		KMYSE1B4S1K000001	
								20010330		KMY00SJ501C006610	
								20020122		KMYSE1B2S2K000001	
								20010227		KMYSE1B4S1K000001	
								20010330		KMY00SJ501C006610	
								20020122		KMYSE1B2S2K000001	
								20010227		KMYSE1B4S1K000001	
								20010330		KMY00SJ501C006610	

E-10

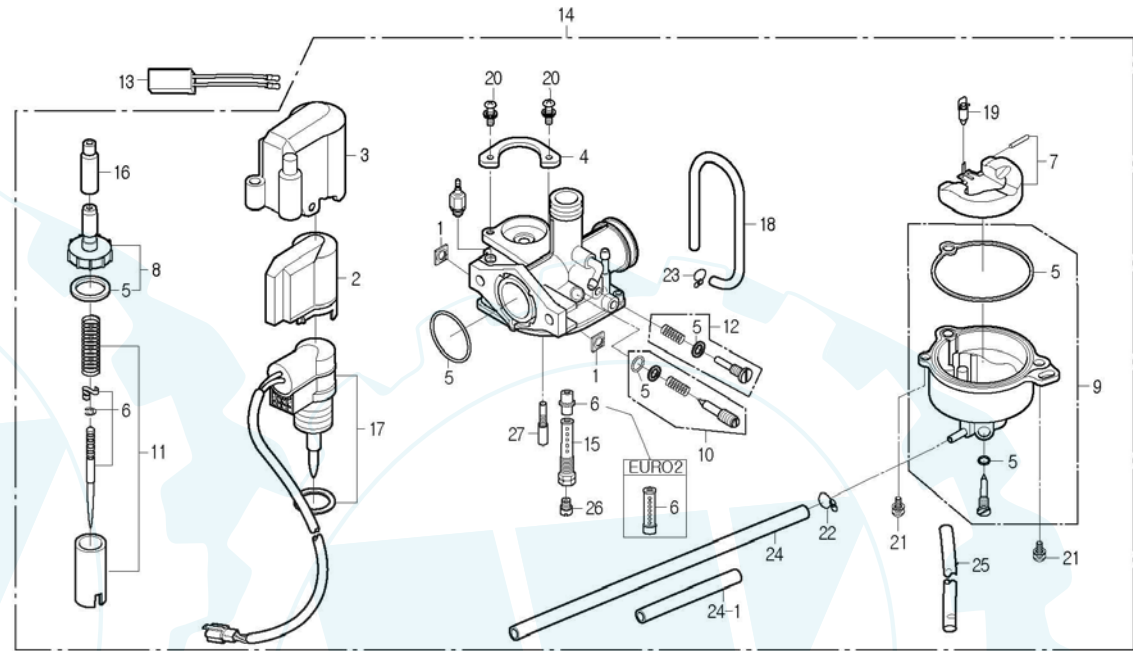
CRANK SHAFT / PISTON



Service item	FRT	Ref. No.	Part No.	Description	QTY	A/S	Exch	Start Date	End Date	Start FRM.No	End FRM.No
								20020122		KMYSE1B2S2K000001	
		16	91005-SC1-9610-M1	BEARING, RADIAL BALL 20x56x12	2	Y		20010227 20010330 20020122		KMYSE1B4S1K000001 KMY00SJ501C006610 KMYSE1B2S2K000001	
		17	91102-SE5-0080	BEARING, CONNECTING ROD SMALL END	1	Y	N	20010227 20010330	20010401 20010401	KMYSE1B4S1K000001 KMY00SJ501C006610	KMYSE1B4S1K000520 KMY00SJ501C006948
			91102-SC1-0040	BEARING, CONNECTING ROD SMALL END	1	Y		20010402 20010402 20020122		KMYSE1B4S1K000521 KMY00SJ501C006949 KMYSE1B2S2K000001	

E-11

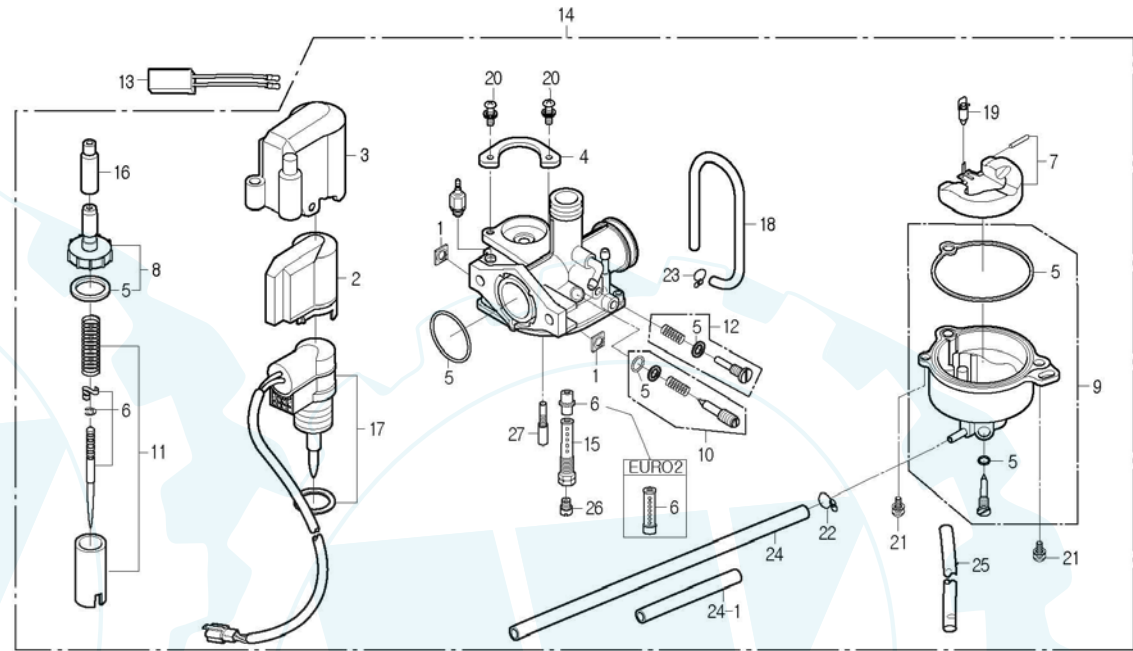
CARBURETOR



Service item	FRT	Ref. No.	Part No.	Description	QTY	A/S	Exch	Start Date	End Date	Start FRM.No	End FRM.No
NEEDLE, JET	0.7	1	16005-SC1-0000	NUT, SQUARE	2	N		20010227		KMYSE1B4S1K000001	
.CARBURETOR ASS'Y								20010330		KMY00SJ501C006610	
FLOAT COMP. .BYSTARTER ASS'Y, AUTO .VALVE COMP., FLOAT .JET, MAIN	0.6	2	16007-SC1-0000	CAP, HOLDER	1	N		20010227		KMYSE1B4S1K000001	
								20010330		KMY00SJ501C006610	
								20020122		KMYSE1B2S2K000001	
CHAMBER, FLOAT	0.5	3	16008-SC1-0000	CAP, OUTER	1	N		20010227		KMYSE1B4S1K000001	
								20010330		KMY00SJ501C006610	
VALVE, THROTTLE	0.3	4	16009-SC1-0000	PLATE, SETTING	1	N		20010227		KMYSE1B2S2K000001	
								20010330		KMY00SJ501C006610	
								20020122		KMYSE1B4S1K000001	
		5	16010-SC1-7030-M1	GASKET SET	1	Y		20010227		KMYSE1B4S1K000001	
								20010330		KMY00SJ501C006610	
								20020122		KMYSE1B2S2K000001	
			16010-SE5-0000	GASKET SET(EURO2)	1	Y		20030718		KMYSE1B4S3K011156	
		6	16012-SE1-0000	NEEDLE SET, JET	1	N		20010227		KMYSE1B4S1K000001	
								20010330		KMY00SJ501C006610	
								20020122		KMYSE1B2S2K000001	
			16012-SE1-RZ00	NEEDLE SET, JET(EURO2)	1	N		20030718		KMYSE1B4S3K011156	
		7	16013-CB2-1030	FLOAT SET	1	Y		20010227		KMYSE1B4S1K000001	
								20010330		KMY00SJ501C006610	

E-11

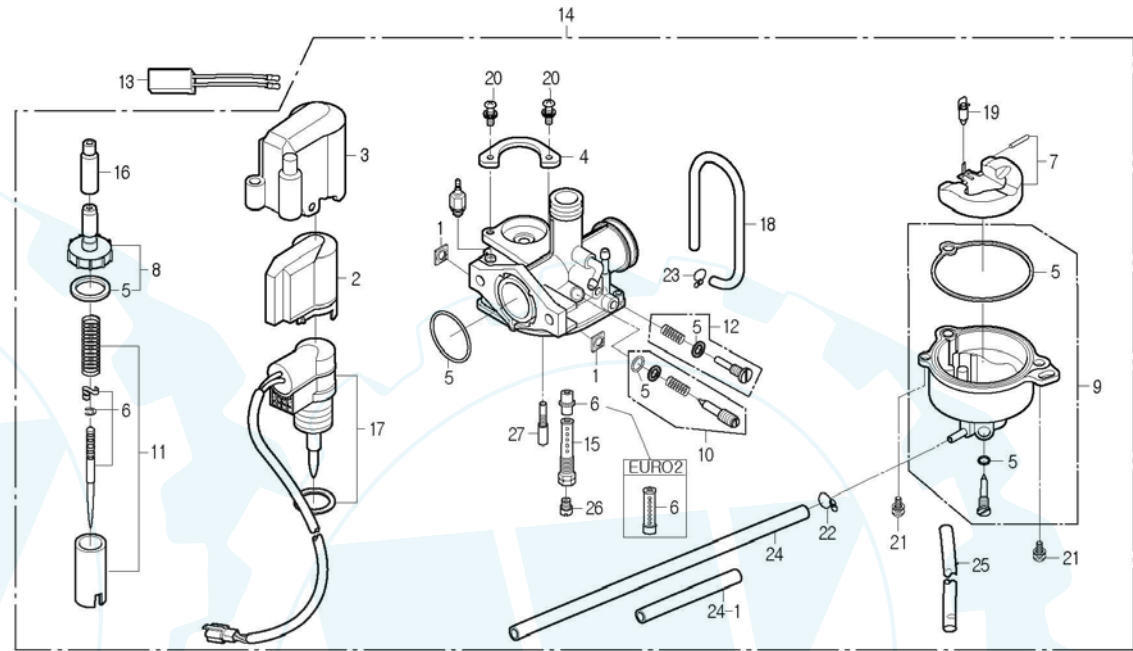
CARBURETOR



Service item	FRT	Ref. No.	Part No.	Description	QTY	A/S	Exch	Start Date	End Date	Start FRM.No	End FRM.No
			16013-CB2-2040	FLOAT SET(EURO2)	1	Y		20020122		KMYSE1B2S2K000001	
		8	16014-SC1-0040	TOP SET	1	N		20030718		KMYSE1B4S3K011156	
								20010227		KMYSE1B4S1K000001	
								20010330		KMY00SJ501C006610	
								20020122		KMYSE1B2S2K000001	
			16014-SE5-0030	TOP SET(EURO2)	1	N		20030718		KMYSE1B4S3K011156	
		9	16015-SE1-0000	CHAMBER SET, FLOAT	1	Y		20010227		KMYSE1B4S1K000001	
								20010330		KMY00SJ501C006610	
								20020122		KMYSE1B2S2K000001	
			16015-SE5-1000	CHAMBER SET, FLOAT(EURO2)	1	Y		20030718		KMYSE1B4S3K011156	
		10	16016-SB1-1000	SCREW SET, ADJUST	1	Y		20010227		KMYSE1B4S1K000001	
								20010330		KMY00SJ501C006610	
								20020122		KMYSE1B2S2K000001	
			16016-SE5-RK00	SCREW SET, ADJUST(EURO2)	1	Y		20030718		KMYSE1B4S3K011156	
		11	16022-SB1-1000	VALVE SET, THROTTLE	1	Y		20010227		KMYSE1B4S1K000001	
								20010330		KMY00SJ501C006610	
								20020122		KMYSE1B2S2K000001	
			16022-SE5-8300	VALVE SET, THROTTLE(EURO2)	1	Y		20030718		KMYSE1B4S3K011156	
		12	16028-SE5-0030	SCREW SET	1	Y		20010227		KMYSE1B4S1K000001	
								20010330		KMY00SJ501C006610	
								20020122		KMYSE1B2S2K000001	
			16028-SC1-0030	SCREW SET(EURO2)	1	Y		20030718		KMYSE1B4S3K011156	

E-11

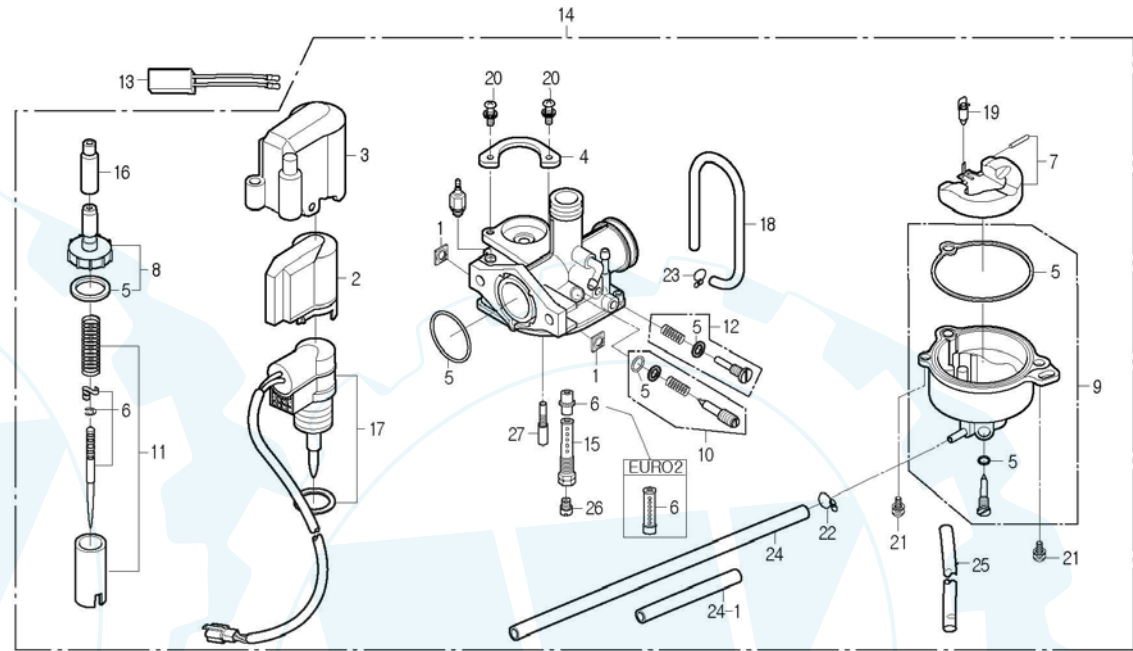
CARBURETOR



Service item	FRT	Ref. No.	Part No.	Description	QTY	A/S	Exch	Start Date	End Date	Start FRM.No	End FRM.No
		13	16062-SE1-0000-M1	SWITCH, CARBURETOR HEATER THERMOSTAT	1	Y		20020117		KMY00SJ502C015339	
		14	16100-SE1-RB00-01	CARBURETOR ASS'Y	1	Y	N	20010227	20010410	KMYSE1B4S1K000001	KMYSE1B4S1K000520
			16100-SE1-RB11-01	CARBURETOR ASS'Y	1	Y	N	20010411	20020319	KMYSE1B4S1K000522	KMYSE1B4S2K004462
								20020122	20020319	KMYSE1B2S2K000001	KMYSE1B2S000001
			16100-SE1-RB20-01	CARBURETOR ASS'Y	1	Y		20020320		KMYSE1B4S2K004463	
								20020320		KMYSE1B2S2K000001	
			16100-SE1-0001-01	CARBURETOR ASS'Y(PARTS)	1	Y	N	20010319	20020116	KMYSE1B4S1K000391	KMYSE1B4S2K004354
								20010330	20020116	KMY00SJ501C006610	KMY00SJ502C015338
			16100-SE1-0010-01	CARBURETOR ASS'Y(PARTS)	1	Y		20020117	20020701	KMYSE1B4S2K004355	KMYSE1B4S2K005853
								20020117		KMY00SJ502C015339	
			16100-SE1-RZ00	CARBURETOR ASS'Y(EURO2)	1	Y		20030718		KMYSE1B4S3K011156	
		15	16101-SC1-0000	HOLDER, NEEDLE JET	1	N		20010227		KMYSE1B4S1K000001	
								20010330		KMY00SJ501C006610	
								20020320		KMYSE1B2S2K000001	
		16	16143-SC1-0000	CAP, CABLE SEALING	1	N		20010227		KMYSE1B4S1K000001	
								20010330		KMY00SJ501C006610	
								20020122		KMYSE1B2S2K000001	
			16143-SE5-0000	CAP, CABLE SEALING(EURO2)	1	N		20030718		KMYSE1B4S3K011156	
		17	16150-SE1-0000	BYSTARTER ASS'Y, AUTO	1	N		20010227		KMYSE1B4S1K000001	
								20010330		KMY00SJ501C006610	
								20020122		KMYSE1B2S2K000001	
			16150-SE5-0000	BYSTARTER ASS'Y, AUTO(EURO2)	1	N		20030718		KMYSE1B4S3K011156	

E-11

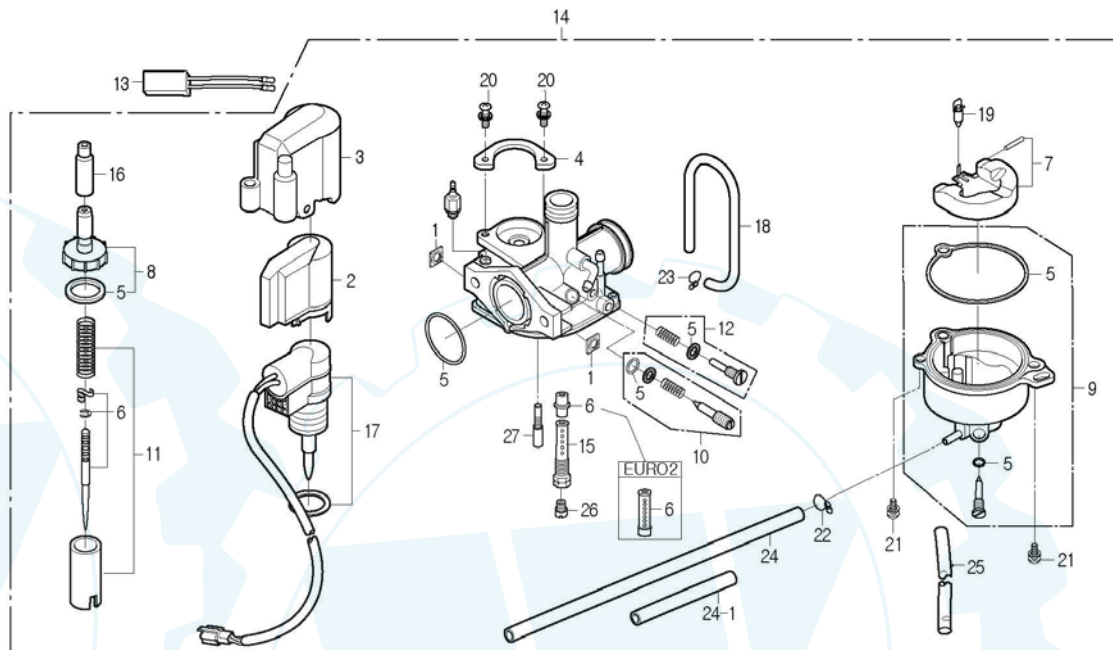
CARBURETOR



Service item	FRT	Ref. No.	Part No.	Description	QTY	A/S	Exch	Start Date	End Date	Start FRM.No	End FRM.No
		18	16161-SC1-0000	TUBE, AIR VENT	1	N		20010227		KMYSE1B4S1K000001	
			16161-SE5-0000	TUBE, AIR VENT(EURO2)	1	N		20010330		KMY00SJ501C006610	
		19	16170-SC1-0000	VALVE COMP., FLOAT	1	N		20020122		KMYSE1B2S2K000001	
			16170-CB3-0000	VALVE COMP., FLOAT(EURO2)	1	N		20030718		KMYSE1B4S3K011156	
		20	S3892-04008-10	SCREW, WASHER 4x8	2	N		20010227		KMYSE1B4S1K000001	
								20010330		KMY00SJ501C006610	
								20020122		KMYSE1B2S2K000001	
		21	S3892-04014-08	SCREW, WASHER 4x14	2	N		20010227		KMYSE1B4S1K000001	
								20010330		KMY00SJ501C006610	
								20020122		KMYSE1B2S2K000001	
		22	S5002-02070	CLIP, B7 TUBE	1	N		20010227		KMYSE1B4S1K000001	
								20010330		KMY00SJ501C006610	
								20020122		KMYSE1B2S2K000001	
		23	S5002-02080	CLIP, B8 TUBE	1	N		20010227		KMYSE1B4S1K000001	
								20010330		KMY00SJ501C006610	
								20020122		KMYSE1B2S2K000001	
		24	S5003-07020-31	TUBE, VINYL 4x7x200	1	N		20010227		KMYSE1B4S1K000001	
								20010330		KMY00SJ501C006610	
								20020122		KMYSE1B2S2K000001	

E-11

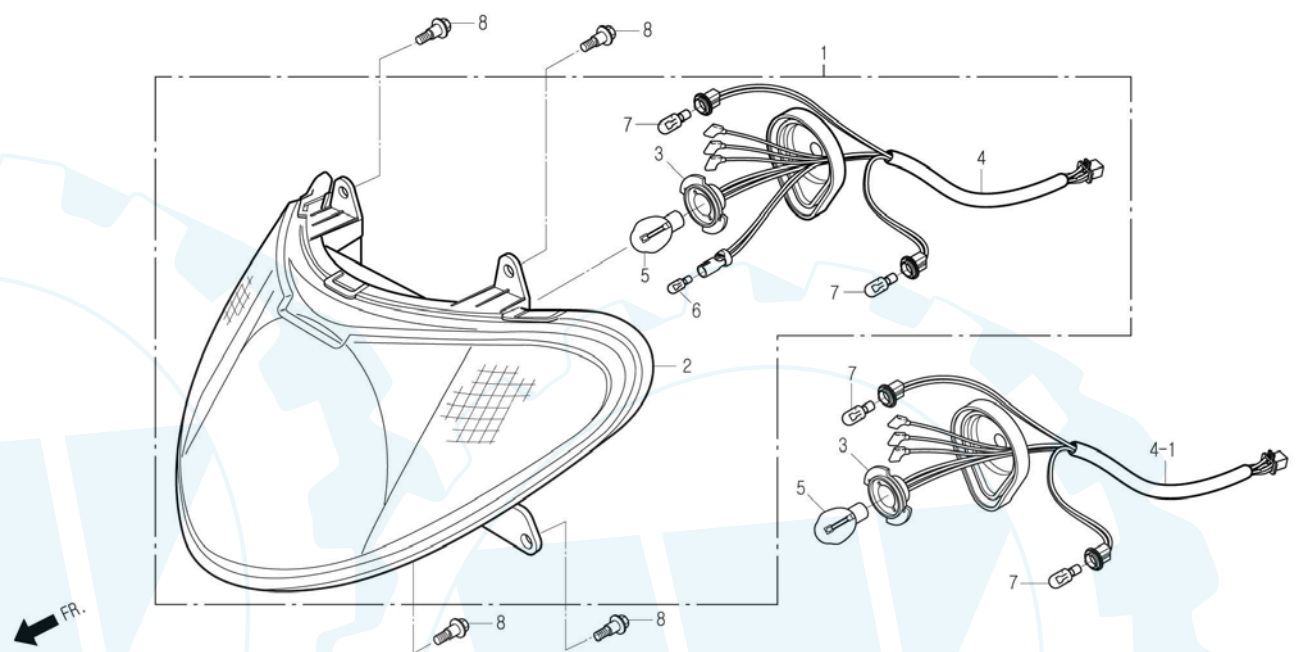
CARBURETOR



Service item	FRT	Ref. No.	Part No.	Description	QTY	A/S	Exch	Start Date	End Date	Start FRM.No	End FRM.No
		24-1	S5003-07007-31	TUBE, VINYL 4x7x70(EURO2)	1	N		20030718		KMYSE1B4S3K011156	
		25	S5003-07011-31	TUBE, VINYL 4x7x110(EURO2)	1	N		20030718		KMYSE1B4S3K011156	
		26	S9101-BA6-0750	JET, MAIN #75	1	Y		20010227		KMYSE1B4S1K000001	
			S9101-BA6-0850	JET, MAIN #85	1	Y		20010319	20020701	KMYSE1B4S1K000391	KMYSE1B4S2K005853
			S9101-SE5-0650-B1	JET, MAIN #65(EURO2)	1	Y		20010330		KMY00SJ501C006610	
		27	S9103-SE1-0380	JET, SLOW #38	1	Y		20030718		KMYSE1B4S3K011156	
					1	Y		20010227		KMYSE1B4S1K000001	
					1	Y		20010330		KMY00SJ501C006610	
					1	Y		20020122		KMYSE1B2S2K000001	
			S9103-SE5-0350-B1	JET, SLOW #35(EURO2)	1	Y		20030718		KMYSE1B4S3K011156	

F-01

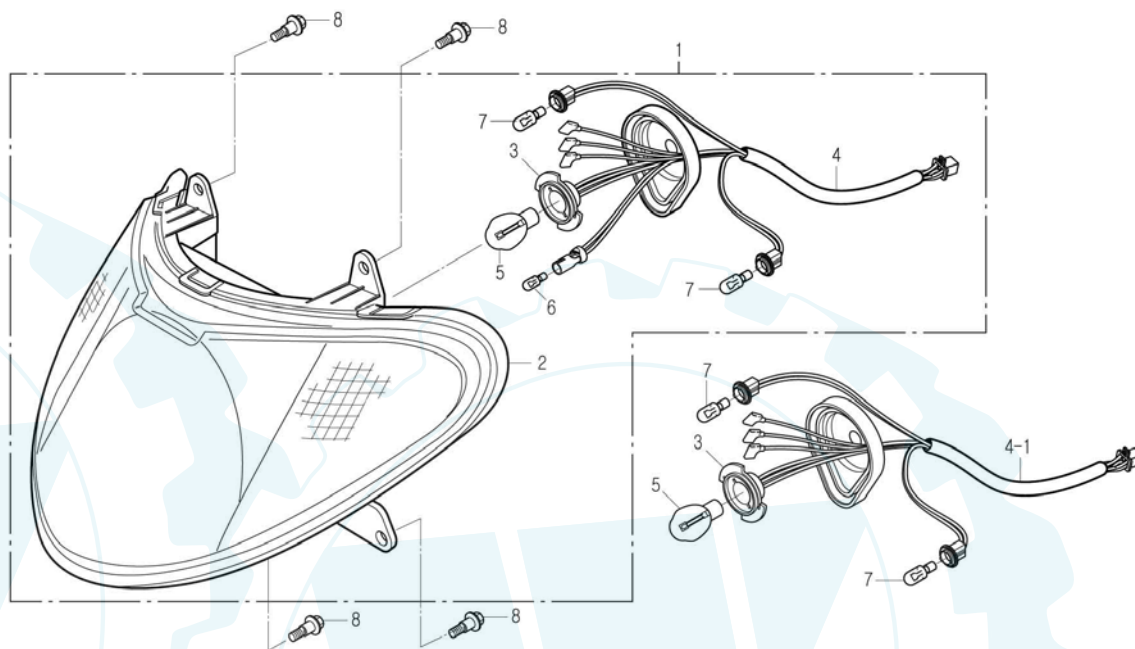
HEAD LIGHT / FRONT WINKER



Service item	FRT	Ref. No.	Part No.	Description	QTY	A/S	Exch	Start Date	End Date	Start FRM.No	End FRM.No
BULB, HEAD LIGHT	0.3	1	33100-SE1-RB00	ASS'Y, HEAD LIGHT	1	Y		20010227		KMYSE1B4S1K000001	
LIGHT ASS'Y, HEAD	0.5							20010330		KMY00SJ501C006610	
								20020122		KMYSE1B2S2K000001	
UNIT, HEAD LIGHT			33100-SE1-0000	ASS'Y, HEAD LIGHT	1	Y	N	20020320	20020901	KMY00SJ502C015343	KMY00SJ502C016033
SOCKET COMP.			33100-SE1-0031	ASS'Y, HEAD LIGHT	1	Y		20020902		KMY00SJ502C016034	
		2	33101-SE1-RB00	UNIT, HEAD LIGHT	1	N		20010227		KMYSE1B4S1K000001	
								20010330		KMY00SJ501C006610	
								20020122		KMYSE1B2S2K000001	
			33101-SE1-0000	UNIT, HEAD LIGHT	1	N	N	20020320	20020901	KMY00SJ502C015343	KMY00SJ502C016033
			33101-SE1-0030	UNIT, HEAD LIGHT	1	N		20020902		KMY00SJ502C016034	
		3	33116-SE1-0000	COVER, RUBBER	1	Y	N	20010227	20020901	KMYSE1B4S1K000001	KMYSE1B4S2K006274
								20010330	20020901	KMY00SJ501C006610	KMY00SJ502C016033
								20020122	20020901	KMYSE1B2S2K000001	KMYSE1B2S3K000090
			33116-SE1-0030	COVER, RUBBER	1	N		20020902		KMYSE1B4S2K006275	
								20020902		KMY00SJ502C016034	
								20020902		KMYSE1B2S3K000091	
		4	33130-SE1-RB00	SOCKET COMP., HEAD LIGHT	1	N		20010227		KMYSE1B4S1K000001	
								20010330		KMY00SJ501C006610	
								20020122		KMYSE1B2S2K000001	
			33130-SE1-0000	SOCKET COMP., HEAD LIGHT	1	N	N	20020320	20020901	KMY00SJ502C015343	KMY00SJ502C016033
		4-1	33130-SE1-0030	SOCKET COMP., HEAD LIGHT	1	N		20020902		KMY00SJ502C016034	
		5	34901-SA1-RB00	BULB, HEAD LIGHT 12V 35W/35W	1	Y		20010227		KMYSE1B4S1K000001	
								20010330		KMY00SJ501C006610	

F-01

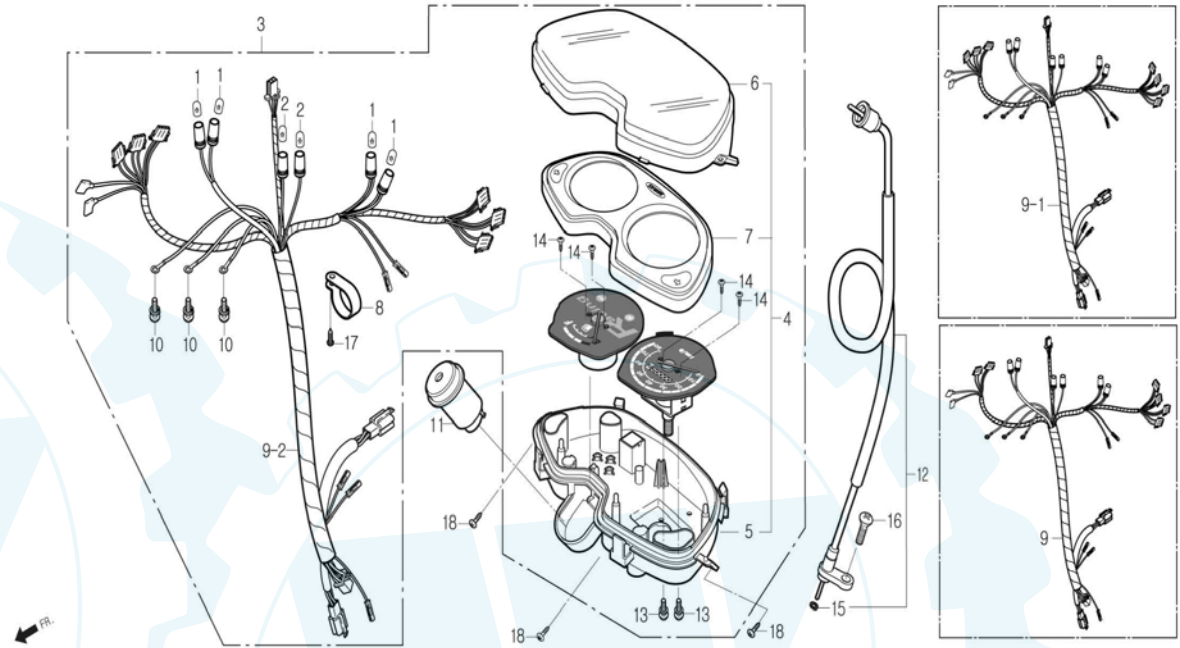
HEAD LIGHT / FRONT WINKER



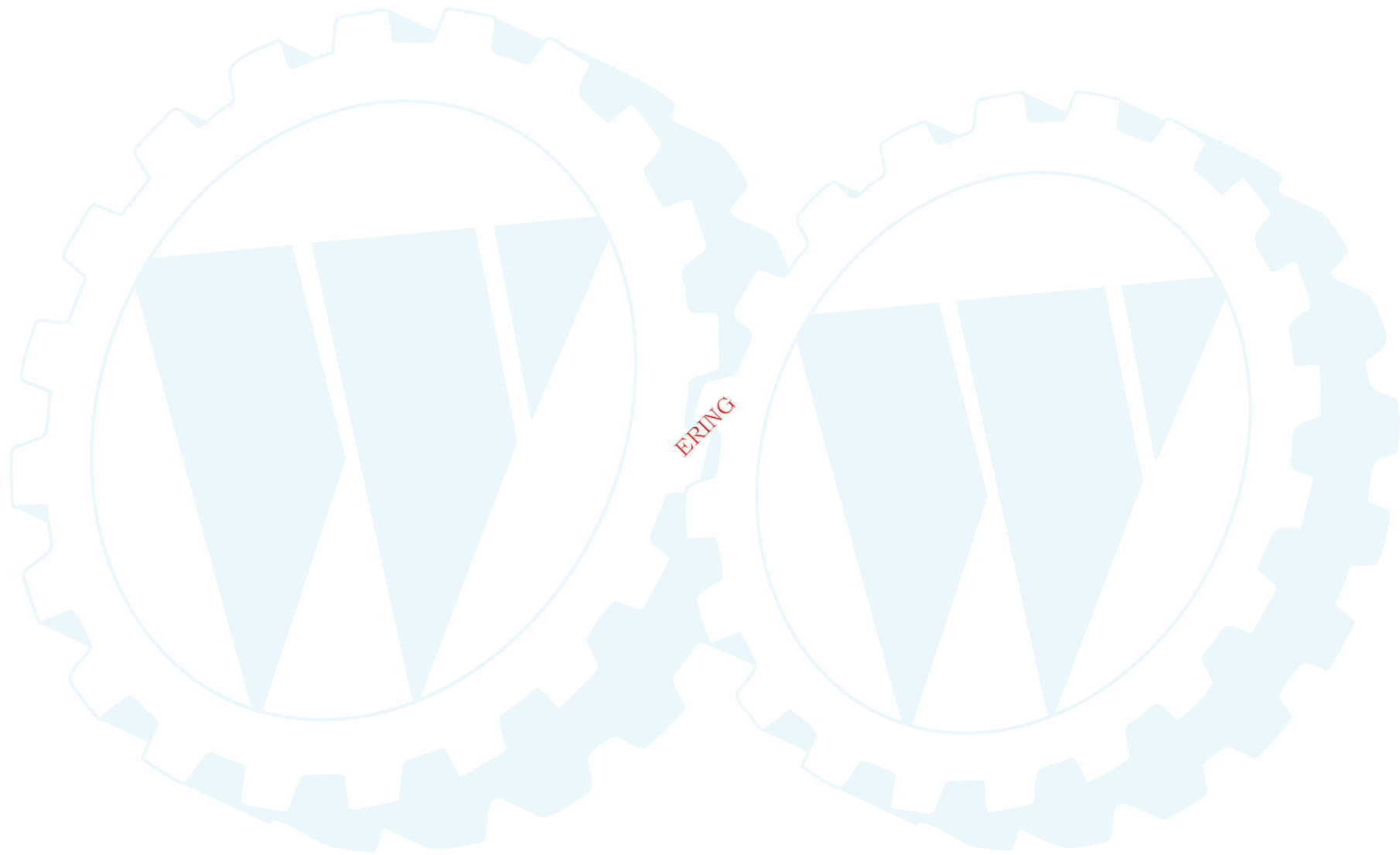
Service item	FRT	Ref. No.	Part No.	Description	QTY	A/S	Exch	Start Date	End Date	Start FRM.No	End FRM.No
								20020122		KMYSE1B2S2K000001	
		6	34902-SA1-RB00	BULB, WEDGE BASE 12V 5W	1	Y		20010227 20010330		KMYSE1B4S1K000001 KMY00SJ501C006610	
		7	34905-SE1-RB00	BULB, WINKER 12V 16W	2	Y		20010227 20010330		KMYSE1B2S2K000001 KMYSE1B4S1K000001 KMY00SJ501C006610	
		8	90111-SE5-1000	BOLT, FLANGE 6mm	4	Y		20020122 20010227 20010330		KMYSE1B2S2K000001 KMYSE1B4S1K000001 KMY00SJ501C006610	
								20020122		KMYSE1B2S2K000001	

F-02

SPEEDOMETER

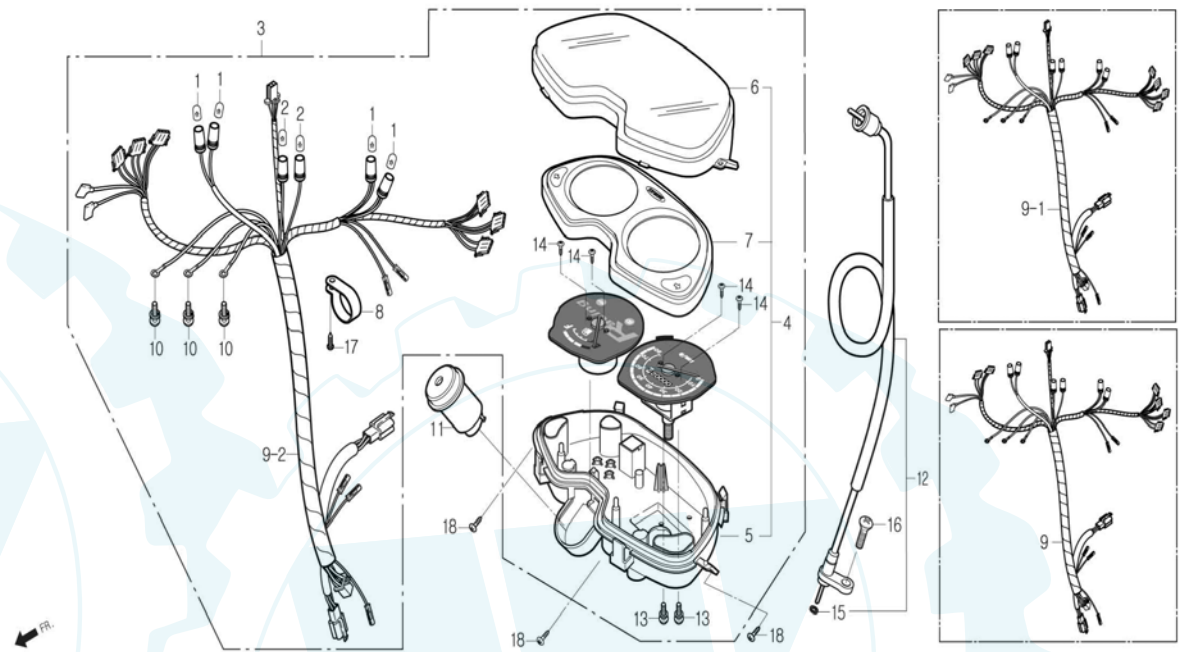


Service item	FRT	Ref. No.	Part No.	Description	QTY	A/S	Exch	Start Date	End Date	Start FRM.No	End FRM.No
SPEEDOMETER ASS'Y	0.6	1	34908-BA7-9000	BULB, WEDGE BASE	4	Y		20010227		KMYSE1B4S1K000001	
SPEEDOMETER COMP.	0.7							20010330		KMY00SJ501C006610	
CASE ASS'Y SOCKET COMP.		2	34908-SA2-8710-M1	BULB, WEDGE BASE 12V 1.7W	2	Y		20010227		KMYSE1B4S1K000001	
								20010330		KMY00SJ501C006610	
								20020122		KMYSE1B2S2K000001	
CABLE COMP., SPEEDOMETER	0.5	3	37200-SE1-RB00	SPEEDOMETER ASS'Y	1	Y	N	20010227	20010703	KMYSE1B4S1K000001	KMYSE1B4S1K002497
								20010330	20010703	KMY00SJ501C006610	KMY00SJ501C011399
RELAY ASS'Y, AUDIBLE WINKER	0.2		37200-SE1-RJ00	SPEEDOMETER ASS'Y	1	Y	N	20010411	20030430	KMYSE1B4S1K000522	KMYSE1B4S3K010218
								20010704	20030430	KMY00SJ501C011400	KMY00SJ50000001
								20020122	20030430	KMYSE1B2S2K000001	KMYSE1B2S000001
			37200-SE1-RJ10-M1	SPEEDOMETER ASS'Y	1	Y		20030501		KMYSE1B4S3K010219	
								20030501		KMY00SJ503C016557	
								20030501		KMYSE1B2S3K000092	
			37200-SE1-0000	SPEEDOMETER ASS'Y	1	Y	N	20020320	20030508	KMY00SJ502C015343	KMY00SJ50000001
			37200-SE1-0000-M1	SPEEDOMETER ASS'Y	1	Y		20030509		KMY00SJ503C016557	
		4	37210-SE1-0000	BODY ASS'Y, SPEEDOMETER (C)	1	N		20010227		KMYSE1B4S1K000001	
								20010330		KMY00SJ501C006610	
								20020122		KMYSE1B2S2K000001	
		5	37211-SE1-0000	CASE ASS'Y	1	Y		20010227		KMYSE1B4S1K000001	
								20010330		KMY00SJ501C006610	
								20020122		KMYSE1B2S2K000001	



F-02

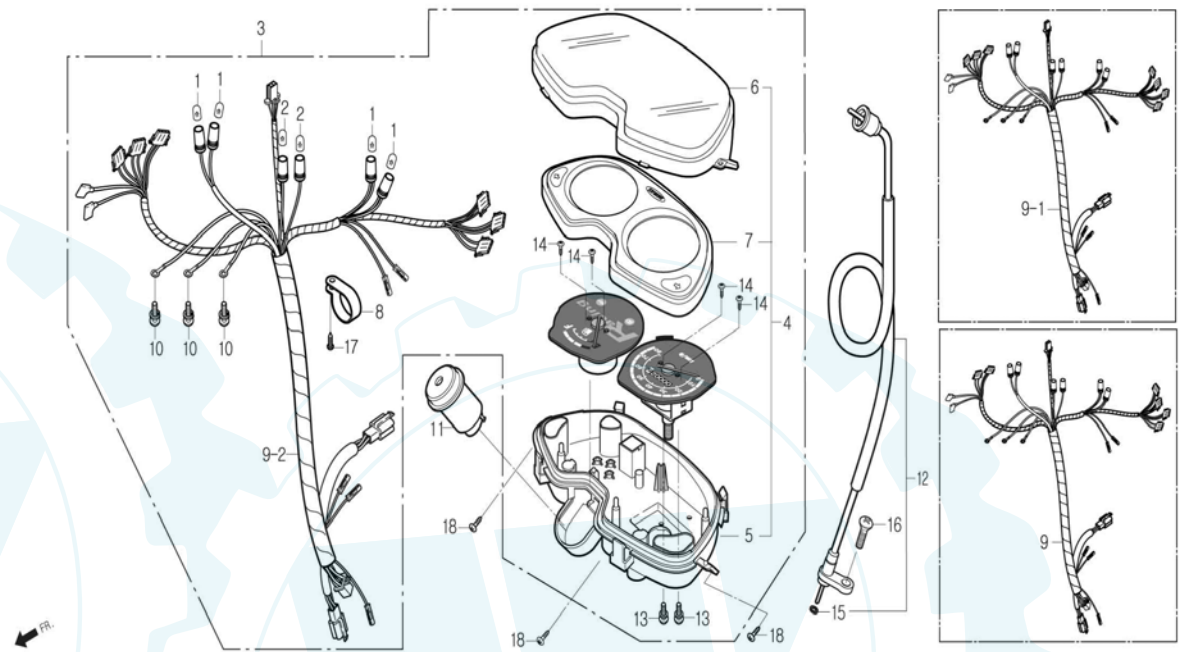
SPEEDOMETER



Service item	FRT	Ref. No.	Part No.	Description	QTY	A/S	Exch	Start Date	End Date	Start FRM.No	End FRM.No
		7	37213-SE1-0000	WINDOW PLATE	1	Y		20010330 20020122 20010227 20010330		KMY00SJ501C006610 KMYSE1B2S2K000001 KMYSE1B4S1K000001 KMY00SJ501C006610	
		8	37215-SE5-7600	CLAMP	1	Y		20020122 20010227 20010330 20020122		KMYSE1B2S2K000001 KMYSE1B4S1K000001 KMY00SJ501C006610 KMYSE1B2S2K000001	
		9	37223-SE1-0000	SOCKET COMP.	1	N	N	20020320	20030508	KMY00SJ502C015343	KMY00SJ50000001
			37223-SE1-0000-M1	SOCKET COMP.	1	N		20030509		KMY00SJ503C016557	
		9-1	37223-SE1-RB00	SOCKET COMP.	1	Y	N	20010227 20010330	20010703 20010703	KMYSE1B4S1K000001 KMY00SJ501C006610	KMYSE1B4S1K002497 KMY00SJ501C011399
		9-2	37223-SE1-RJ01	SOCKET COMP.	1	Y		20010411 20010704 20020122		KMYSE1B4S1K000522 KMY00SJ501C011400 KMYSE1B2S2K000001	
		10	37305-BA6-0080	SCREW, WASHER 3x22	3	N		20010227 20010330 20020122		KMYSE1B4S1K000001 KMY00SJ501C006610 KMYSE1B2S2K000001	
		11	38301-BA6-0300-P	RELAY COMP., AP.WINKER	1	Y		20010227 20010330 20020122		KMYSE1B4S1K000001 KMY00SJ501C006610 KMYSE1B2S2K000001	
		12	44830-SE1-0000	CABLE COMP., SPEEDOMETER	1	Y		20010227		KMYSE1B4S1K000001	

F-02

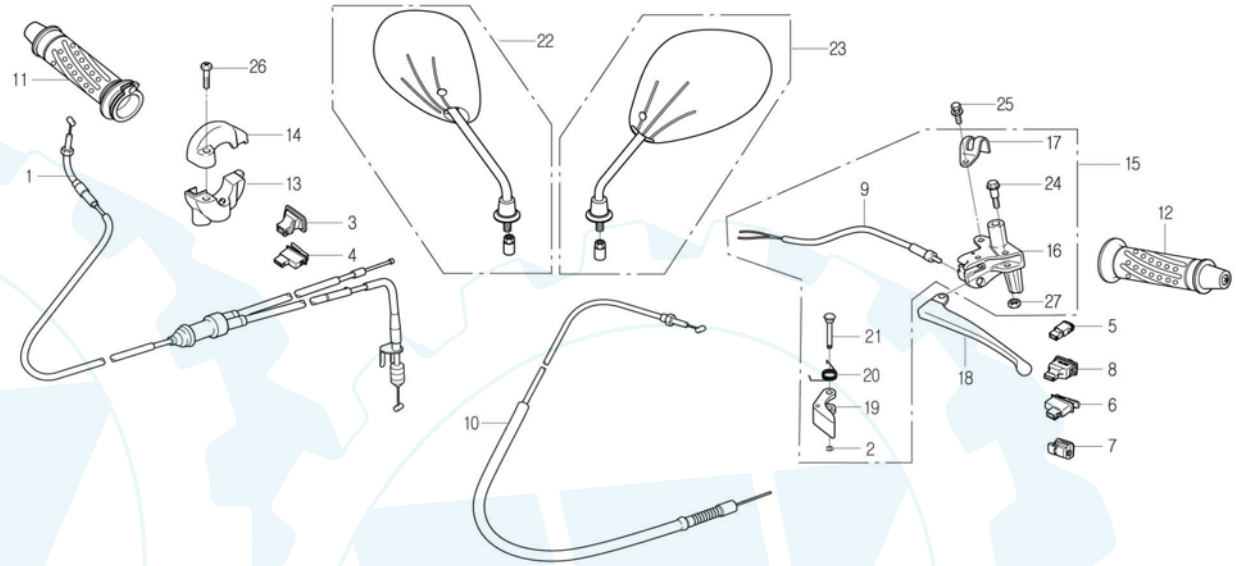
SPEEDOMETER



Service item	FRT	Ref. No.	Part No.	Description	QTY	A/S	Exch	Start Date	End Date	Start FRM.No	End FRM.No
		13	90035-BA6-8710-M1	SCREW, WASHER 3x10	2	N		20010330 20020122		KMY00SJ501C006610 KMYSE1B2S2K000001	
		14	90107-SC1-0000	SCREW, PAN 2.3x7	4	Y		20010227 20010330 20020122		KMYSE1B4S1K000001 KMY00SJ501C006610 KMYSE1B2S2K000001	
		15	S3700-05016-0G	SCREW, OVAL 5x16	1	Y		20010227 20010330 20020122		KMYSE1B4S1K000001 KMY00SJ501C006610 KMYSE1B2S2K000001	
		16	S3903-24420	SCREW, TAPPING 4x16	1	Y		20010227 20010330 20020122		KMYSE1B4S1K000001 KMY00SJ501C006610 KMYSE1B2S2K000001	
		17	91301-CB2-1002	O-RING 6.8x1.9	1	Y		20010227 20010330 20020122		KMYSE1B4S1K000001 KMY00SJ501C006610 KMYSE1B2S2K000001	
		18	S3903-25320	SCREW, TAPPING 5x16	3	Y		20010227 20010330 20020122		KMYSE1B4S1K000001 KMY00SJ501C006610 KMYSE1B2S2K000001	

F-03

HANDLE LEVER / SWITCH / CABLE

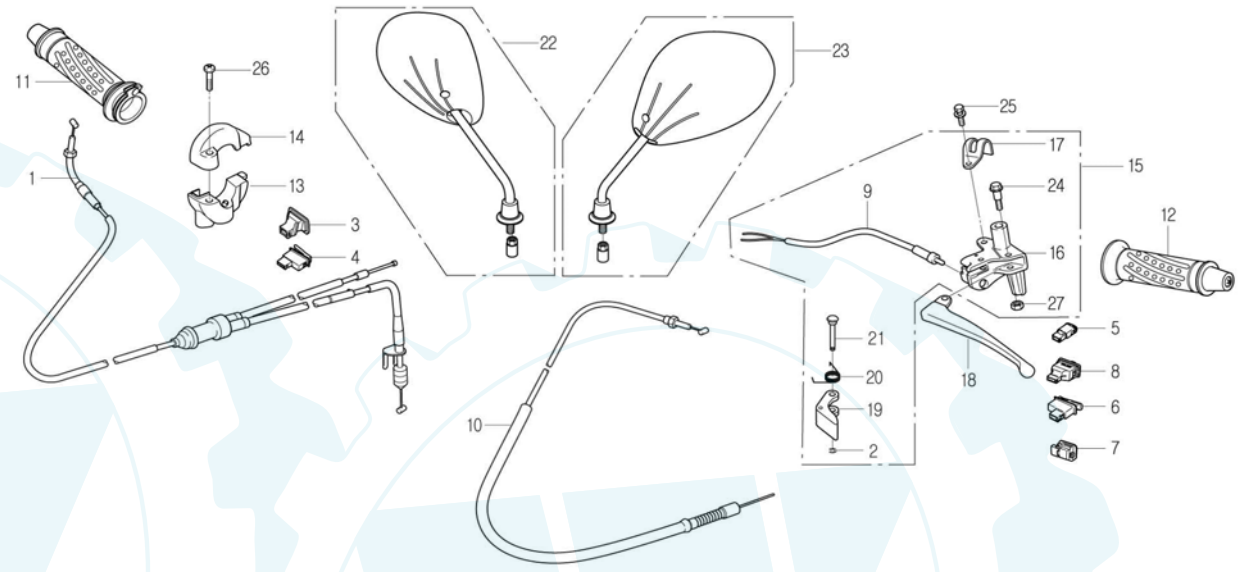


Service item	FRT	Ref. No.	Part No.	Description	QTY	A/S	Exch	Start Date	End Date	Start FRM.No	End FRM.No
CABLE COMP., THROTTLE	1.5	1	17910-SE1-0000	CABLE COMP., THROTTLE	1	Y		20010227		KMYSE1B4S1K000001	
SWITCH UNIT, STARTER	0.3							20010330		KMY00SJ501C006610	
		2	30158-SE5-0000	CIR CLIP, E-TYPE 3mm	1	Y		20020122		KMYSE1B2S2K000001	
.SWITCH UNIT, LIGHTING								20010227		KMYSE1B4S1K000001	
.SWITCH UNIT, HORN								20010330		KMY00SJ501C006610	
.SWITCH UNIT, HAZARD								20020122		KMYSE1B2S2K000001	
.SWITCH UNIT, WINKER		3	35150-SC1-0040-M1	SWITCH UNIT, LIGHTING	1	Y		20010227		KMYSE1B4S1K000001	
.SWITCH ASS'Y, FR.STOP								20010330		KMY00SJ501C006610	
CABLE COMP., RR.BRAKE	1.0		35150-SE5-0031	SWITCH UNIT, LIGHTING	1	Y		20020320		KMY00SJ502C015343	
GRIP COMP., THROTTLE	0.4	4	35160-SC1-0010-M1	SWITCH UNIT, START	1	Y		20010227		KMYSE1B4S1K000001	
								20010330		KMY00SJ501C006610	
								20020122		KMYSE1B2S2K000001	
.LEVER, LH.STEERING HANDLE			35160-SE5-0131	SWITCH UNIT, START	1	Y		20020320		KMY00SJ502C015343	
		5	35170-SC1-0010-M1	SWITCH UNIT, DIMMER	1	Y		20010227		KMYSE1B4S1K000001	
								20010330		KMY00SJ501C006610	
								20020122		KMYSE1B2S2K000001	
			35170-SE5-0031	SWITCH UNIT, DIMMER	1	Y		20020320		KMY00SJ502C015343	
		6	35180-SC1-0010-M1	SWITCH UNIT, HORN	1	Y		20010227		KMYSE1B4S1K000001	
								20010330		KMY00SJ501C006610	
								20020122		KMYSE1B2S2K000001	
			35180-SE5-0231	SWITCH UNIT, HORN	1	Y		20020320		KMY00SJ502C015343	

F-03

HANDLE LEVER / SWITCH / CABLE

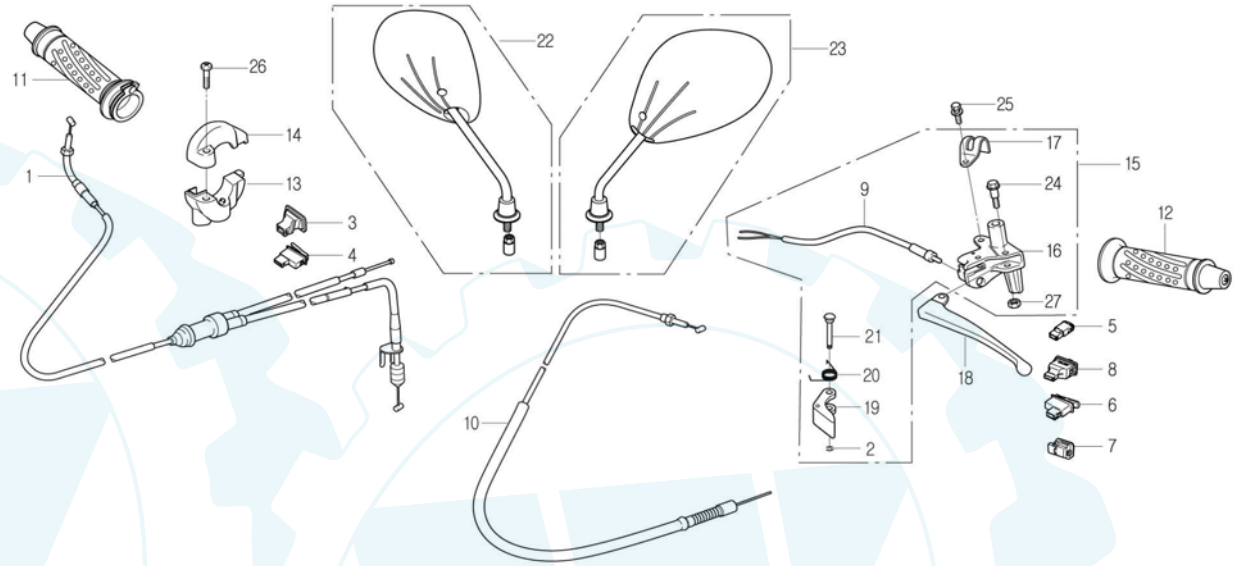
FR.



Service item	FRT	Ref. No.	Part No.	Description	QTY	A/S	Exch	Start Date	End Date	Start FRM.No	End FRM.No
		7	35190-SA1-0000-M1	SWITCH UNIT, HAZARD	1	Y		20010227 20010330	20010704	KMYSE1B4S1K000001 KMY00SJ501C006610	KMYSE1B4S1K002497
		8	35200-SC1-0240-M1	SWITCH UNIT, WINKER	1	Y		20010227 20010330 20020122		KMYSE1B4S1K000001 KMY00SJ501C006610 KMYSE1B2S2K000001	
			35200-SE5-0032	SWITCH UNIT, WINKER	1	Y		20020320		KMY00SJ502C015343	
		9	35340-SE6-9800	SWITCH ASS'Y, FR.STOP	1	Y		20010227 20010330 20020122		KMYSE1B4S1K000001 KMY00SJ501C006610 KMYSE1B2S2K000001	
		10	43450-SE1-0001	CABLE COMP., RR.BRAKE	1	Y		20010227 20010330 20020122		KMYSE1B4S1K000001 KMY00SJ501C006610 KMYSE1B2S2K000001	
		11	53140-SB1-0002	GRIP COMP., THROTTLE	1	Y		20010227 20010330 20020122		KMYSE1B4S1K000001 KMY00SJ501C006610 KMYSE1B2S2K000001	
		12	53166-SB1-0001	GRIP, LH.HANDLE	1	Y		20010227 20010330 20020122		KMYSE1B4S1K000001 KMY00SJ501C006610 KMYSE1B2S2K000001	
		13	53167-SE5-0202	HOUSING, UNDER THROTTLE	1	Y		20010227 20010330 20020122		KMYSE1B4S1K000001 KMY00SJ501C006610 KMYSE1B2S2K000001	
		14	53168-SE5-0202	HOUSING, UPPER THROTTLE	1	Y		20010227		KMYSE1B4S1K000001	

F-03

HANDLE LEVER / SWITCH / CABLE

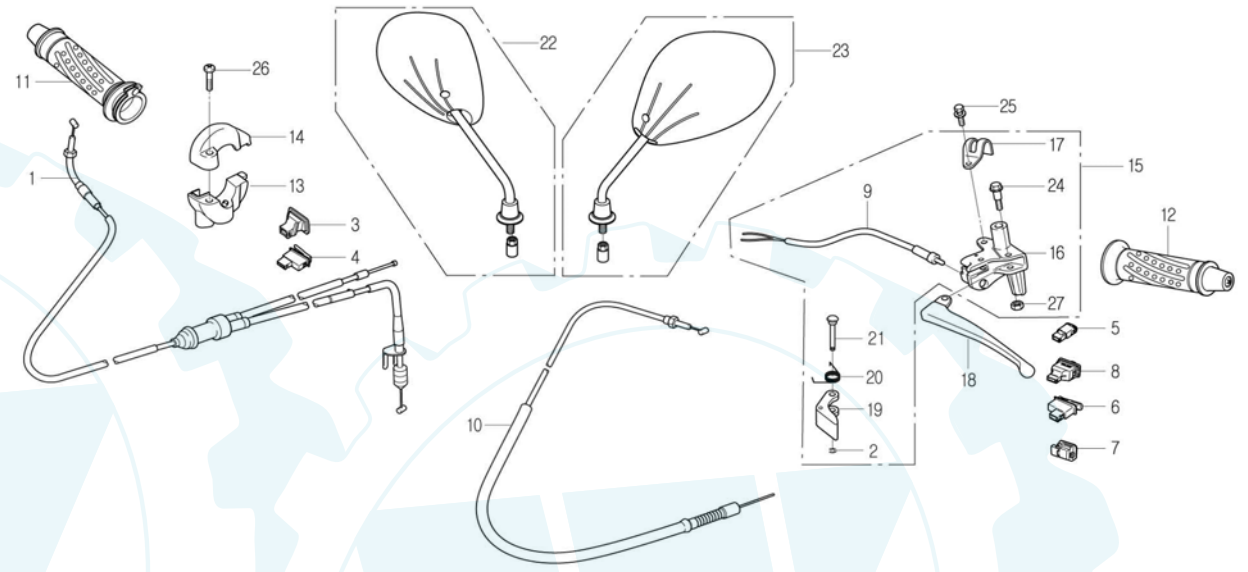


Service item	FRT	Ref. No.	Part No.	Description	QTY	A/S	Exch	Start Date	End Date	Start FRM.No	End FRM.No
		15	5317A-SE6-0000	BRACKET ASS'Y, HANDLE	1	Y		20010330 20020122 20010227	20030601	KMY00SJ501C006610 KMYSE1B2S2K000001 KMYSE1B4S1K000001	KMYSE1B4S3K010607
			5317A-SE6-0010	BRACKET ASS'Y, HANDLE	1	Y		20010330 20020122 20030602	20030601	KMY00SJ501C006610 KMYSE1B2S2K000001 KMYSE1B4S3K010608	KMY00SJ50000001 KMYSE1B2S000001
		16	53172-SC1-0002	BRACKET, HANDLE	1	Y		20010227 20010330 20020122		KMYSE1B4S1K000001 KMY00SJ501C006610 KMYSE1B2S2K000001	
		17	53173-SE5-0000	BAND, HANDLE BRACKET	1	Y		20010227 20010330 20020122		KMYSE1B4S1K000001 KMY00SJ501C006610 KMYSE1B2S2K000001	
		18	53178-SE5-5100-EU	LEVER, LH.STEERING HANDLE	1	Y		20010227 20010330 20020122		KMYSE1B4S1K000001 KMY00SJ501C006610 KMYSE1B2S2K000001	
		19	53181-SE5-0000	LEVER COMP., PARKING	1	Y		20010227 20010330 20020122	20030601	KMYSE1B4S1K000001 KMY00SJ501C006610 KMYSE1B2S2K000001	KMYSE1B4S3K010607 KMY00SJ50000001 KMYSE1B2S000001
			53181-SE5-9001	LEVER COMP., PARKING	1	Y		20030602 20030602		KMYSE1B4S3K010608 KMY00SJ503C016557	

F-03

HANDLE LEVER / SWITCH / CABLE

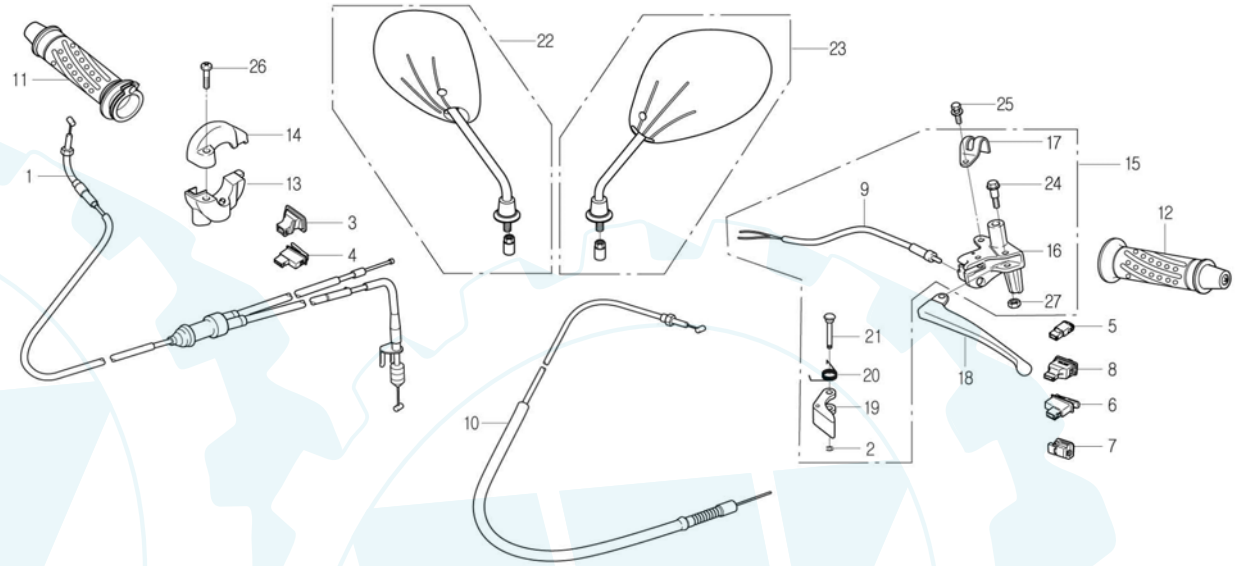
FR. ←



Service item	FRT	Ref. No.	Part No.	Description	QTY	A/S	Exch	Start Date	End Date	Start FRM.No	End FRM.No
		20	53182-SE5-0000	SPRING, RETURN LEVER	1	Y		20030602		KMYSE1B2S3K000092	
		21	53183-SE5-0000	PIN, PIVOT PARKING LEVER	1	Y		20010227		KMYSE1B4S1K000001	
		22	88110-SE1-RB00	MIRROR ASS'Y, RH.BACK	1	Y		20010330		KMY00SJ501C006610	
			88110-SE1-0001	MIRROR ASS'Y, RH.BACK	1	Y		20020122		KMYSE1B2S2K000001	
		23	88120-SE1-RB00	MIRROR ASS'Y, LH.BACK	1	Y		20010227		KMYSE1B4S1K000001	
			88120-SE1-0001	MIRROR ASS'Y, LH.BACK	1	Y		20020122		KMYSE1B2S2K000001	
		24	90115-SE5-0000	SCREW, HANDLE LEVER PIVOT	1	Y		20010319		KMYSE1B4S1K000391	
								20010330		KMY00SJ501C006610	
		25	S3401-06020-08	BOLT, WASHER 6x20	1	Y		20010227		KMYSE1B4S1K000001	
								20010330		KMY00SJ501C006610	
								20020122		KMYSE1B2S2K000001	
		26	S3500-05028-0H	SCREW, PAN 5x28	1	Y		20010227		KMYSE1B4S1K000001	

F-03

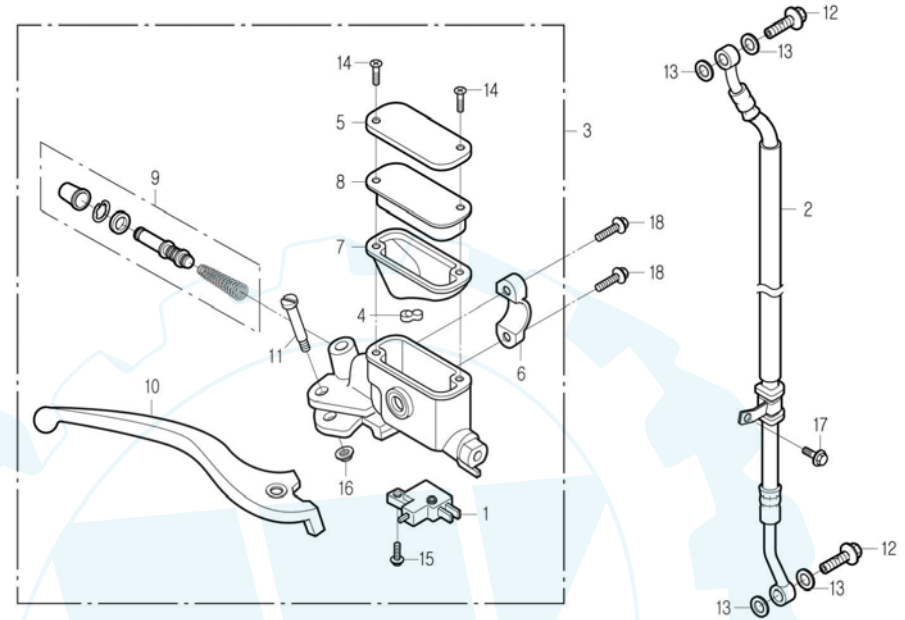
HANDLE LEVER / SWITCH / CABLE



Service item	FRT	Ref. No.	Part No.	Description	QTY	A/S	Exch	Start Date	End Date	Start FRM.No	End FRM.No
		27	S4001-05080-0S	NUT, HEX.5mm	1	Y		20010330 20020122 20010227 20010330 20020122		KMY00SJ501C006610 KMYSE1B2S2K000001 KMYSE1B4S1K000001 KMY00SJ501C006610 KMYSE1B2S2K000001	

F-04

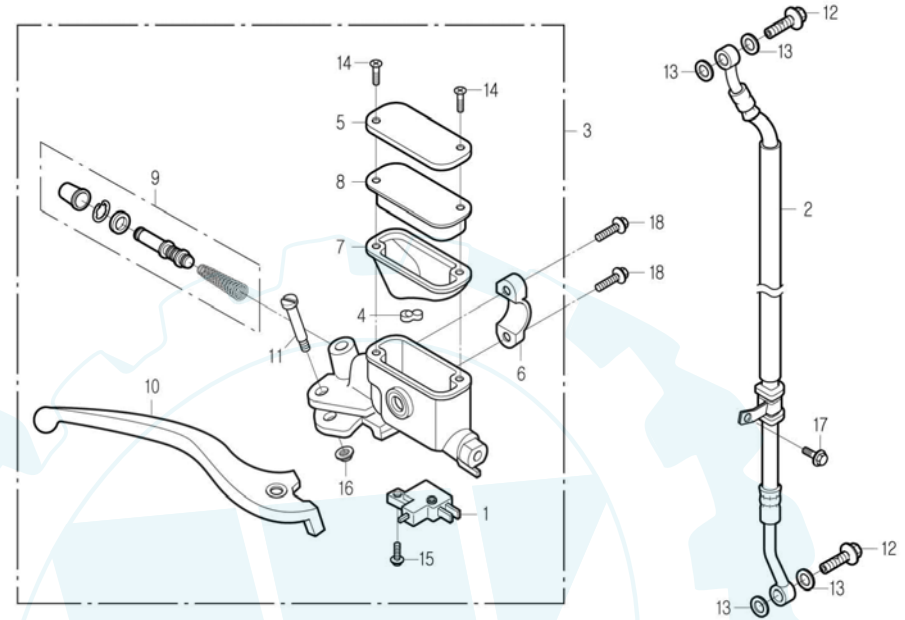
FRONT BRAKE MASTER CYLINDER



Service item	FRT	Ref. No.	Part No.	Description	QTY	A/S	Exch	Start Date	End Date	Start FRM.No	End FRM.No
SWITCH ASS'Y, FR.STOP	0.3	1	35340-SC1-6710-M1	SWITCH ASS'Y, FR.STOP	1	Y		20010227		KMYSE1B4S1K000001	
.LEVER, RH.STEERING HANDLE								20010330		KMY00SJ501C006610	
HOSE ASS'Y, FR.BRAKE	0.5	2	45126-SE1-0000	HOSE ASS'Y, FR.BRAKE	1	Y		20020122		KMYSE1B2S2K000001	
CYLINDER ASS'Y, FR.MASTER	0.7	3	45500-SE5-5100-EU	CYLINDER ASS'Y, FR.MASTER	1	Y		20010227		KMYSE1B4S1K000001	
.CYLINDER SET, MASTER								20010330		KMY00SJ501C006610	
DIAPHRAGM	0.1	4	45512-SE6-9800	PROTECTOR	1	Y		20020122		KMYSE1B2S2K000001	
								20010227		KMYSE1B4S1K000001	
								20010330		KMY00SJ501C006610	
								20020122		KMYSE1B2S2K000001	
		5	45513-SE6-9800	CAP, MASTER CYLINDER	1	Y		20010227		KMYSE1B4S1K000001	
								20010330		KMY00SJ501C006610	
								20020122		KMYSE1B2S2K000001	
		6	45517-SE6-9800	HOLDER, MASTER CYLINDER	1	Y		20010227		KMYSE1B4S1K000001	
								20010330		KMY00SJ501C006610	
								20020122		KMYSE1B2S2K000001	
		7	45520-SE6-9800	DIAPHRAGM	1	Y		20010227		KMYSE1B4S1K000001	
								20010330		KMY00SJ501C006610	
								20020122		KMYSE1B2S2K000001	
		8	45521-SE6-9800	PLATE, DIAPHRAGM	1	Y		20010227		KMYSE1B4S1K000001	

F-04

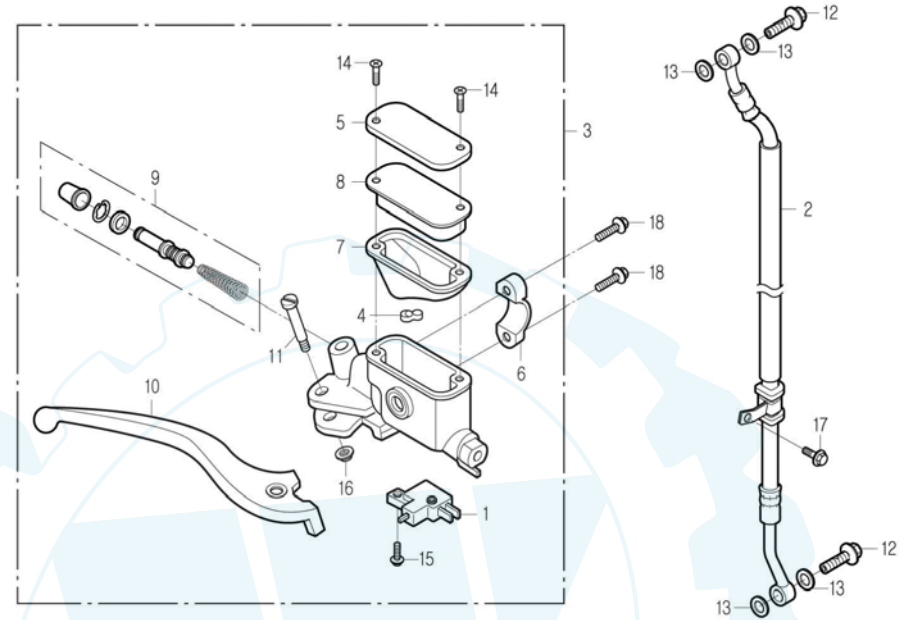
FRONT BRAKE MASTER CYLINDER



Service item	FRT	Ref. No.	Part No.	Description	QTY	A/S	Exch	Start Date	End Date	Start FRM.No	End FRM.No
		9	45530-SE6-9800	CYLINDER SET, MASTER	1	Y		20010330		KMY00SJ501C006610	
		10	53175-SE5-5100-EU	LEVER, RH.STEERING HANDLE	1	Y		20020122		KMYSE1B2S2K000001	
		11	90114-SE6-9800	BOLT, HANDLE LEVER	1	Y		20010227		KMYSE1B4S1K000001	
		12	90145-SE5-0000	BOLT, OIL 10x22	2	Y		20010330		KMY00SJ501C006610	
		13	90545-BA6-0000	WASHER, OIL BOLT	4	Y		20020122		KMYSE1B2S2K000001	
		14	S3600-04012-1H	SCREW, FLAT 4x12	2	Y		20010227		KMYSE1B4S1K000001	
		15	S3893-04012-18	SCREW, WASHER 4x12	1	Y		20010330		KMY00SJ501C006610	
								20020122		KMYSE1B2S2K000001	
								20010227		KMYSE1B4S1K000001	
								20010330		KMY00SJ501C006610	
								20020122		KMYSE1B2S2K000001	
								20010227		KMYSE1B4S1K000001	
								20010330		KMY00SJ501C006610	
								20020122		KMYSE1B2S2K000001	
								20010227		KMYSE1B4S1K000001	
								20010330		KMY00SJ501C006610	

F-04

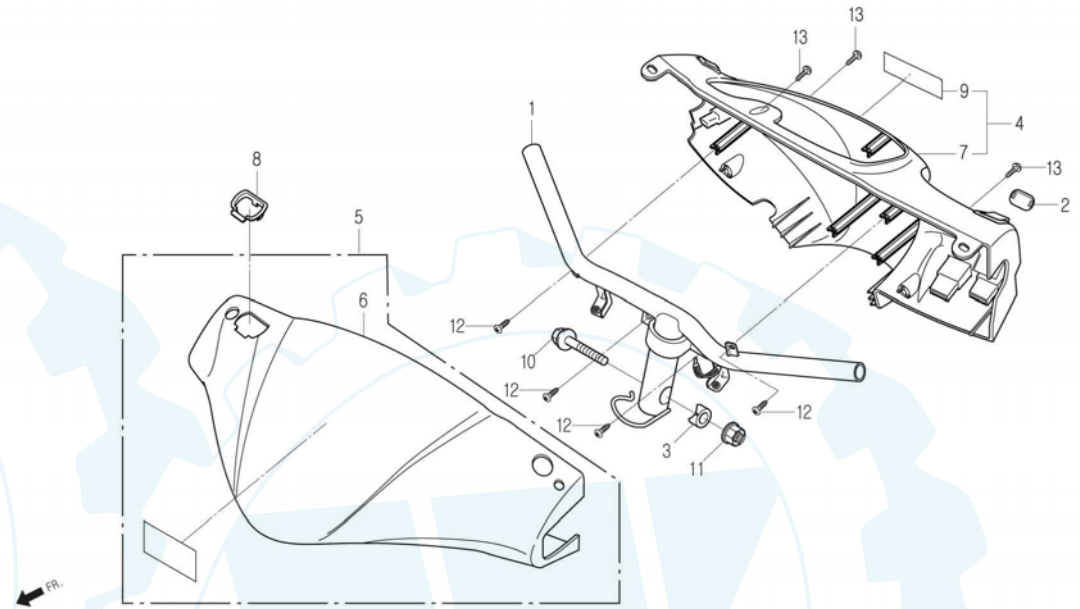
FRONT BRAKE MASTER CYLINDER



Service item	FRT	Ref. No.	Part No.	Description	QTY	A/S	Exch	Start Date	End Date	Start FRM.No	End FRM.No
								20020122		KMYSE1B2S2K000001	
		16	S4050-06080	NUT, FLANGE 6mm	1	Y		20010227		KMYSE1B4S1K000001	
								20010330		KMY00SJ501C006610	
								20020122		KMYSE1B2S2K000001	
		17	S5701-06012-08	BOLT, FLANGE 6x12	1	Y		20010227		KMYSE1B4S1K000001	
								20010330		KMY00SJ501C006610	
								20020122		KMYSE1B2S2K000001	
		18	S5701-06022-08	BOLT, FLANGE 6x22	2	Y		20010227		KMYSE1B4S1K000001	
								20010330		KMY00SJ501C006610	
								20020122		KMYSE1B2S2K000001	

F-05

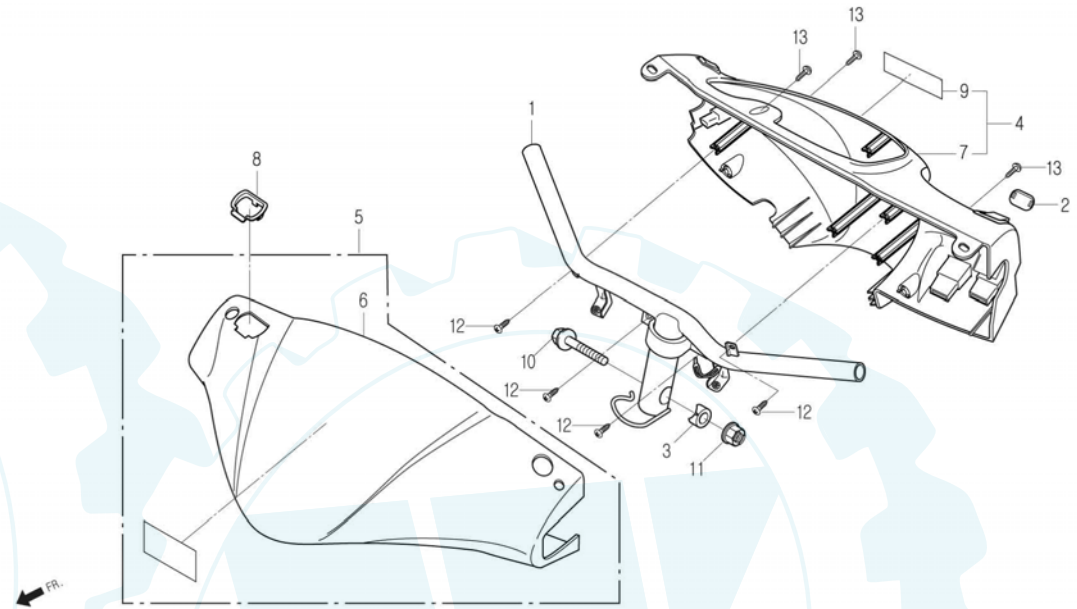
HANDLE PIPE / HANDLE COVER



Service item	FRT	Ref. No.	Part No.	Description	QTY	A/S	Exch	Start Date	End Date	Start FRM.No	End FRM.No
HANDLE COMP., STEERING	1.0	1	53100-SE1-0000	HANDLE COMP., STEERING	1	Y		20010227		KMYSE1B4S1K000001	
COVER, FR.HANDLE	0.3							20010330		KMY00SJ501C006610	
COVER, RR.HANDLE	0.5		53100-SE1-RJ00	HANDLE COMP., STEERING	1	Y		20020122		KMYSE1B2S2K000001	
		2	53106-SE1-RJ00	COVER, HAZARD SWITCH	1	Y		20010411		KMYSE1B4S1K000522	
								20010411		KMYSE1B4S1K000522	
								20010704		KMY00SJ501C011400	
								20020122		KMYSE1B2S2K000001	
		3	53125-CB2-9001	COLLAR, HANDLE SETTING	1	Y		20010227		KMYSE1B4S1K000001	
								20010330		KMY00SJ501C006610	
								20020122		KMYSE1B2S2K000001	
		4	5320A-SE1-MA00	COVER ASS'Y, RR.HANDLE(ENGLISH)	1	Y	N	20010319	20010703	KMYSE1B4S1K000391	KMYSE1B4S1K002497
								20010330	20010703	KMY00SJ501C006610	KMY00SJ501C011399
			5320A-SE1-MA10	COVER ASS'Y, RR.HANDLE(ENGLISH)	1	Y		20010704		KMYSE1B4S1K002498	
								20010704		KMY00SJ501C011400	
								20020122		KMYSE1B2S2K000001	
			5320A-SE1-RB00	COVER ASS'Y, RR.HANDLE(GERMANY)	1	Y	N	20010227	20010410	KMYSE1B4S1K000001	KMYSE1B4S1K000520
			5320A-SE1-RB10	COVER ASS'Y, RR.HANDLE(GERMANY)	1	Y		19910101		KMYSE1B4S1K000001	
			5320A-SE1-RC00	COVER ASS'Y, RR.HANDLE(ITALY)	1	Y	N	20010426	20010719	KMYSE1B4S1K001436	KMYSE1B4S1K002713
			5320A-SE1-RC10	COVER ASS'Y, RR.HANDLE(ITALY)	1	Y		19910101		KMYSE1B4S1K000001	
			5320A-SE1-RE00	COVER ASS'Y, RR.HANDLE(FRANCE)	1	Y	N	20010423	20010812	KMYSE1B4S1K001385	KMYSE1B4S1K002823
			5320A-SE1-RE10	COVER ASS'Y, RR.HANDLE(FRANCE)	1	Y		19910101		KMYSE1B4S1K000001	
			5320A-SE1-RJ00	COVER ASS'Y, RR.HANDLE(SPAIN)	1	Y		19910101		KMYSE1B4S1K000001	
			5320A-SE1-MC00	COVER ASS'Y, RR.HANDLE(BLACK)	1	Y		20020320		KMY00SJ502C015343	

F-05

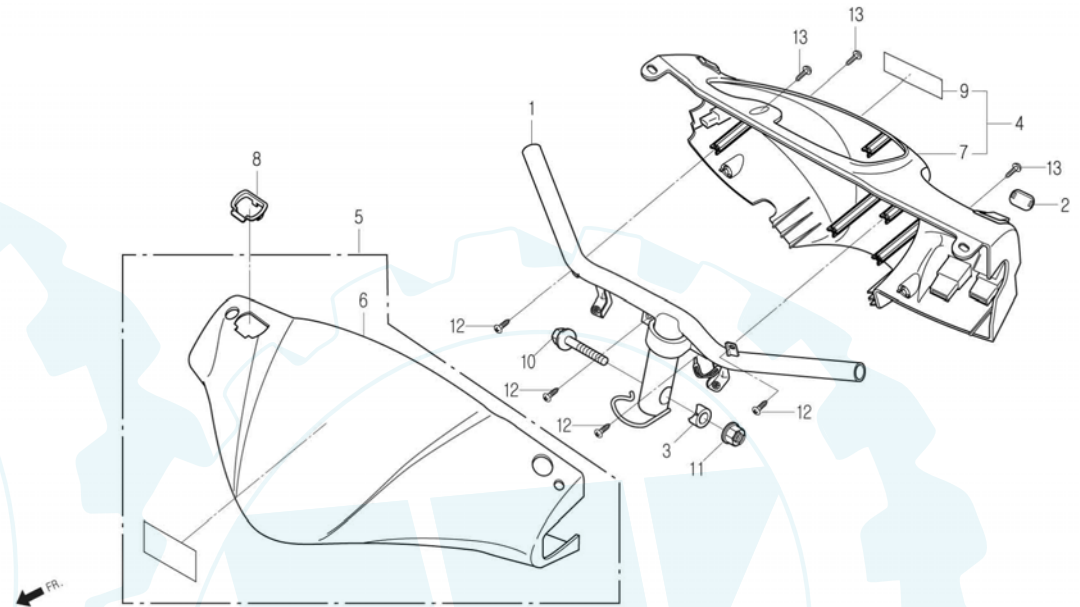
HANDLE PIPE / HANDLE COVER



Service item	FRT	Ref. No.	Part No.	Description	QTY	A/S	Exch	Start Date	End Date	Start FRM.No	End FRM.No
		5	5320B-SE1-0000-BK	COVER ASS'Y, FR.HANDLE(BLACK)	1	Y		20010412		KMYSE1B4S1K000521	
			5320B-SE1-0000-IB	COVER ASS'Y, FR.HANDLE(I/BLUE)	1	Y		20010330		KMY00SJ501C006610	
			5320B-SE1-0000-SL	COVER ASS'Y, FR.HANDLE(SILVER)	1	Y		20010401		KMYSE1B4S1K000521	
			5320B-SE1-0000-UR	COVER ASS'Y, FR.HANDLE(S/RED)	1	Y		20010330		KMY00SJ501C006610	
			5320B-SE1-0000-UR	COVER ASS'Y, FR.HANDLE(S/RED)	1	Y		20010411		KMYSE1B4S1K000522	
			5320B-SE1-0000-UR	COVER ASS'Y, FR.HANDLE(S/RED)	1	Y		20010522		KMY00SJ501C009644	
			5320B-SE1-RB00-BK	COVER ASS'Y, FR.HANDLE(BLACK)	1	Y		20010401		KMYSE1B4S1K000521	
			5320B-SE1-RB00-BK	COVER ASS'Y, FR.HANDLE(BLACK)	1	Y		20010330		KMY00SJ501C006610	
			5320B-SE1-RB00-BK	COVER ASS'Y, FR.HANDLE(BLACK)	1	Y		20010227		KMYSE1B4S1K000001	
			5320B-SE1-RB00-IB	COVER ASS'Y, FR.HANDLE(I/BLUE)	1	Y		20010301		KMY00SJ501C004051	
			5320B-SE1-RB00-IB	COVER ASS'Y, FR.HANDLE(I/BLUE)	1	Y		19910101		KMYSE1B2S2K000001	
			5320B-SE1-RB00-IB	COVER ASS'Y, FR.HANDLE(I/BLUE)	1	Y		20010227		KMYSE1B4S1K000001	
			5320B-SE1-RB00-SL	COVER ASS'Y, FR.HANDLE(SILVER)	1	Y		20010301		KMY00SJ501C004051	
			5320B-SE1-RB00-SL	COVER ASS'Y, FR.HANDLE(SILVER)	1	Y		19910101		KMYSE1B2S2K000001	
			5320B-SE1-RB00-SL	COVER ASS'Y, FR.HANDLE(SILVER)	1	Y		20010227		KMYSE1B4S1K000001	
			5320B-SE1-RB00-UR	COVER ASS'Y, FR.HANDLE(S/RED)	1	Y		20010301		KMY00SJ501C004051	
			5320B-SE1-RB00-UR	COVER ASS'Y, FR.HANDLE(S/RED)	1	Y		19910101		KMYSE1B2S2K000001	
			5320B-SE1-RB00-UR	COVER ASS'Y, FR.HANDLE(S/RED)	1	Y		20010227		KMYSE1B4S1K000001	
			5320B-SE1-RB00-UR	COVER ASS'Y, FR.HANDLE(S/RED)	1	Y		19910101		KMYSE1B4S1K000001	
			5320B-SE1-RB00-UR	COVER ASS'Y, FR.HANDLE(S/RED)	1	Y		20010301		KMY00SJ501C004051	
		6	53205-SE1-0000-BK	COVER, FR.HANDLE(BLACK)	1	Y		19910101		KMYSE1B4S1K000001	
			53205-SE1-0000-IB	COVER, FR.HANDLE(I/BLUE)	1	Y		20010330		KMY00SJ501C006610	
			53205-SE1-0000-IB	COVER, FR.HANDLE(I/BLUE)	1	Y		20010227		KMYSE1B4S1K000001	

F-05

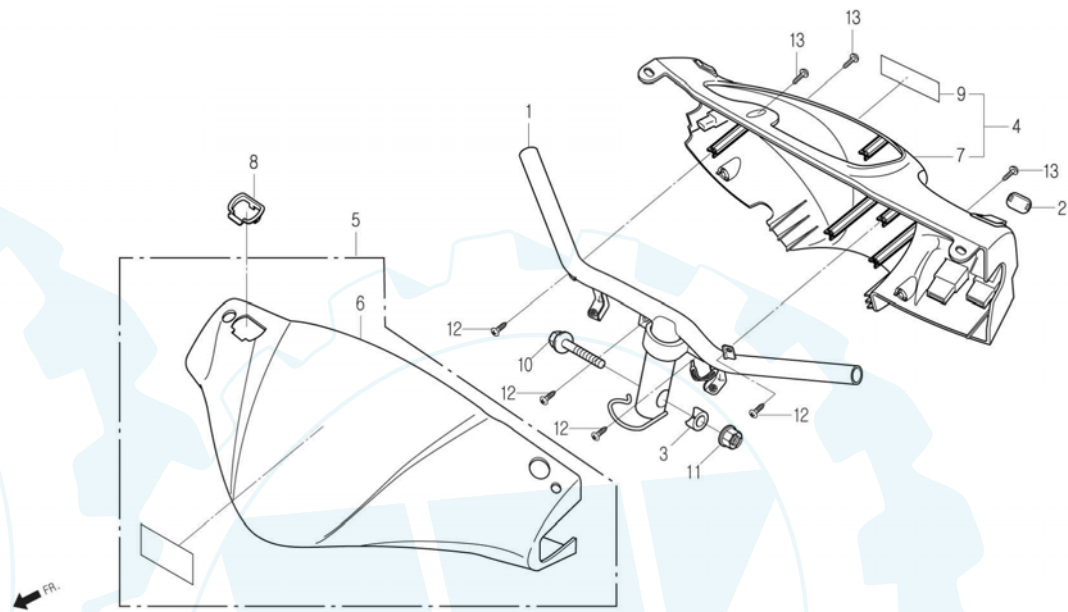
HANDLE PIPE / HANDLE COVER



Service item	FRT	Ref. No.	Part No.	Description	QTY	A/S	Exch	Start Date	End Date	Start FRM.No	End FRM.No
			53205-SE1-0000-SL	COVER, FR.HANDLE(SILVER)	1	Y		20010330 19910101 20010227 20010522 20020104		KMY00SJ501C006610 KMYSE1B2S2K000001 KMYSE1B4S1K000001 KMY00SJ501C009644 KMYSE1B2S2K000001	
			53205-SE1-0000-UR	COVER, FR.HANDLE(S/RED)	1	Y		19910101 20010330 20021105		KMYSE1B4S1K000001 KMY00SJ501C006610 KMYSE1B4S3K006816	
			53205-SE1-0000-WH	COVER, FR.HANDLE(WHITE)	1	Y		20010227 20010330 20020122		KMYSE1B4S1K000001 KMY00SJ501C006610 KMYSE1B2S2K000001	
		7	53206-SE1-RB01	COVER, RR.HANDLE	1	Y		20010330 20020122 20020320		KMY00SJ501C006610 KMYSE1B2S2K000001 KMY00SJ502C015343	
			53206-SE1-0010	COVER, RR.HANDLE	1	Y		20010227 20010330 20020122		KMYSE1B4S1K000001 KMY00SJ501C006610 KMYSE1B2S2K000001	
		8	53215-SE1-0000	SEAL, MASTER CYLINDER	1	Y		20010330 20020122 20010319 20010330 20020122		KMY00SJ501C006610 KMYSE1B2S2K000001 KMYSE1B4S1K000391 KMY00SJ501C006610 KMYSE1B2S2K000001	
			87560-SA1-MA00	MARK, DRIVE CAUTION(ENGLISH)	1	Y		19910101 19910101 19910101 19910101 20020320		KMYSE1B4S1K000001 KMYSE1B4S1K000001 KMYSE1B4S1K000001 KMYSE1B4S1K000001 KMY00SJ502C015343	
			87560-SA1-RB00	MARK, DRIVE CAUTION(GERMANY)	1	Y					
			87560-SA1-RC00	MARK, DRIVE CAUTION(ITALY)	1	Y					
			87560-SA1-RE00	MARK, DRIVE CAUTION(FRANCE)	1	Y					
			87560-SA1-RJ00	MARK, DRIVE CAUTION(SPAIN)	1	Y					

F-05

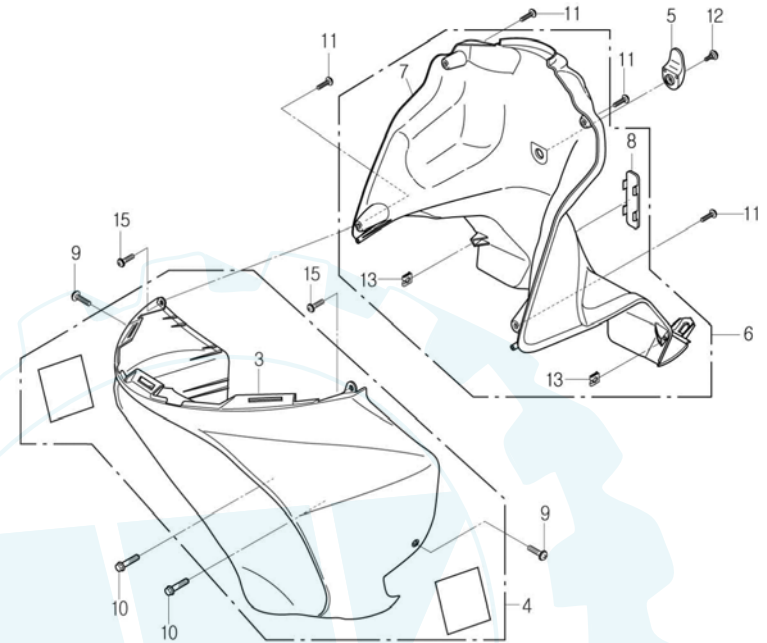
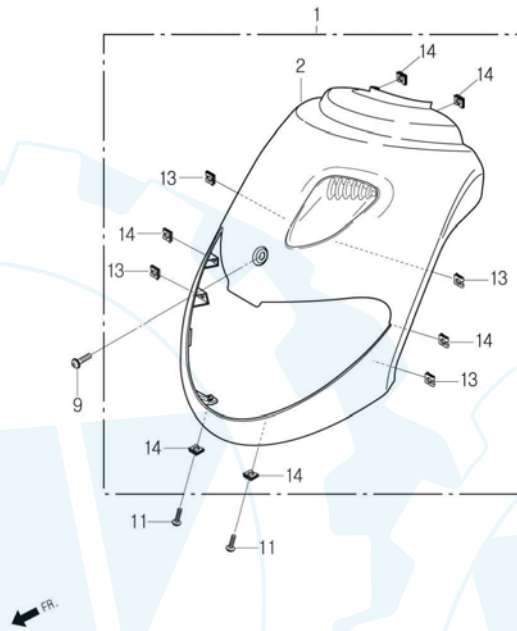
HANDLE PIPE / HANDLE COVER



Service item	FRT	Ref. No.	Part No.	Description	QTY	A/S	Exch	Start Date	End Date	Start FRM.No	End FRM.No
		10	90106-CB2-9000	BOLT, FLANGE 10x50	1	Y		20010227 20010330 20020122		KMYSE1B4S1K000001 KMY00SJ501C006610 KMYSE1B2S2K000001	
		11	90304-SE6-0000	NUT, U 10mm	1	Y		20010227 20010330 20020122		KMYSE1B4S1K000001 KMY00SJ501C006610 KMYSE1B2S2K000001	
		12	S3903-25220	SCREW, TAPPING 5x12	4	Y		20010227 20010330 20020122		KMYSE1B4S1K000001 KMY00SJ501C006610 KMYSE1B2S2K000001	
		13	S3903-34320	SCREW, TAPPING 4x12	3	Y		20010227 20010330 20020122		KMYSE1B4S1K000001 KMY00SJ501C006610 KMYSE1B2S2K000001	

F-06

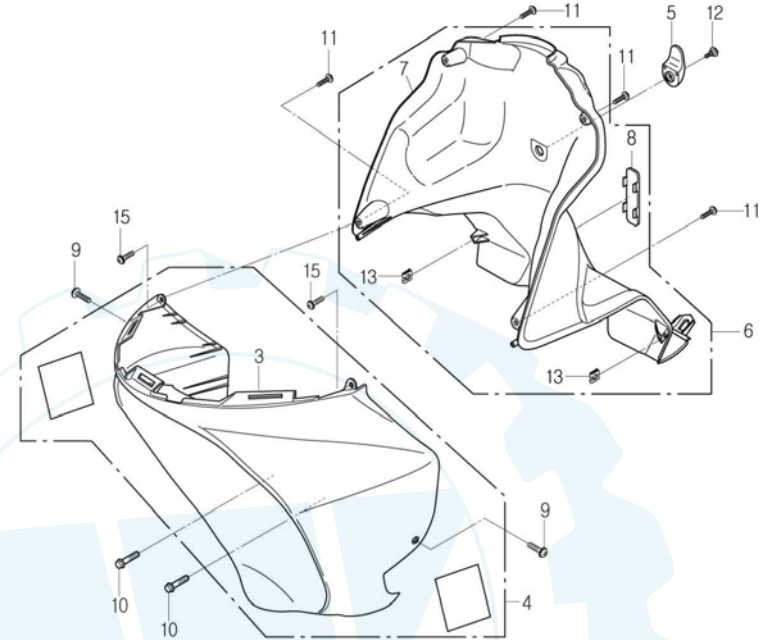
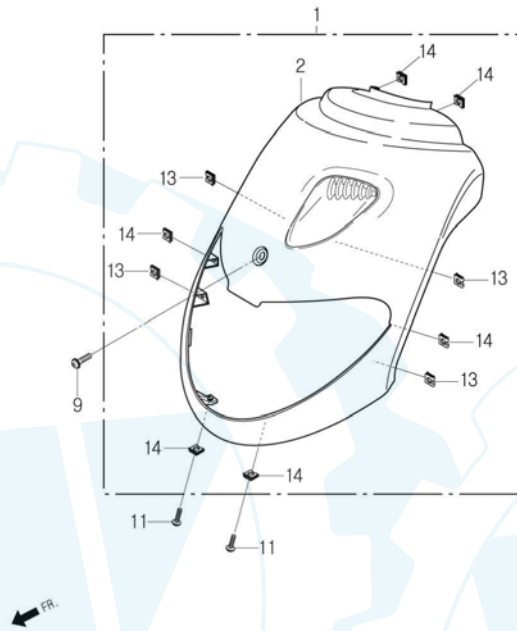
FRONT COVER



Service item	FRT	Ref. No.	Part No.	Description	QTY	A/S	Exch	Start Date	End Date	Start FRM.No	End FRM.No
COVER, FR.UNDER	1.0	1	6430A-SE1-0000-BK	COVER ASS'Y, FR.(BLACK)	1	Y		19910101		KMYSE1B4S1K000001	
COVER, FR.	0.3		6430A-SE1-0000-IB	COVER ASS'Y, FR.(I/BLUE)	1	Y		20010330		KMY00SJ501C006610	
BOX ASS'Y, INNER	1.0		6430A-SE1-0000-IB	COVER ASS'Y, FR.(I/BLUE)	1	Y		20010227		KMYSE1B4S1K000001	
			6430A-SE1-0000-IB	COVER ASS'Y, FR.(I/BLUE)	1	Y		20010330		KMY00SJ501C006610	
			6430A-SE1-0000-SL	COVER ASS'Y, FR.(SILVER)	1	Y		19910101		KMYSE1B2S2K000001	
			6430A-SE1-0000-SL	COVER ASS'Y, FR.(SILVER)	1	Y		19910101		KMYSE1B4S1K000001	
			6430A-SE1-0000-UR	COVER ASS'Y, FR.(S/RED)	1	Y		20010522		KMY00SJ501C009644	
			6430A-SE1-0000-UR	COVER ASS'Y, FR.(S/RED)	1	Y		19910101		KMYSE1B4S1K000001	
			6430A-SE1-RZ00-SL	COVER ASS'Y, FR.(SILVER)	1	Y		20010330		KMY00SJ501C006610	
			6430A-SE1-RZ00-SL	COVER ASS'Y, FR.(SILVER)	1	Y		20020121		KMYSE1B4S2K004360	
			6430A-SE1-RZ00-SL	COVER ASS'Y, FR.(SILVER)	1	Y		20020327		KMYSE1B2S2K000001	
			6430A-SE1-RZ00-SL	COVER ASS'Y, FR.(SILVER)	1	Y		20021125		KMY00SJ502C016166	
		2	64301-SE1-0000-BK	COVER, FR.(BLACK)	1	Y		19910101		KMYSE1B4S1K000001	
			64301-SE1-0000-IB	COVER, FR.(I/BLUE)	1	Y		20010330		KMY00SJ501C006610	
			64301-SE1-0000-IB	COVER, FR.(I/BLUE)	1	Y		20010227		KMYSE1B4S1K000001	
			64301-SE1-0000-IB	COVER, FR.(I/BLUE)	1	Y		20010330		KMY00SJ501C006610	
			64301-SE1-0000-IB	COVER, FR.(I/BLUE)	1	Y		19910101		KMYSE1B2S2K000001	
			64301-SE1-0000-SL	COVER, FR.(SILVER)	1	Y		20010227		KMYSE1B4S1K000001	
			64301-SE1-0000-SL	COVER, FR.(SILVER)	1	Y		20010522		KMY00SJ501C009644	
			64301-SE1-0000-SL	COVER, FR.(SILVER)	1	Y		19910101		KMYSE1B2S2K000001	
			64301-SE1-0000-UR	COVER, FR.(S/RED)	1	Y		19910101		KMYSE1B4S1K000001	
			64301-SE1-0000-UR	COVER, FR.(S/RED)	1	Y		20010330		KMY00SJ501C006610	
			64301-SE1-0000-UR	COVER, FR.(S/RED)	1	Y		20021105		KMYSE1B4S3K006816	

F-06

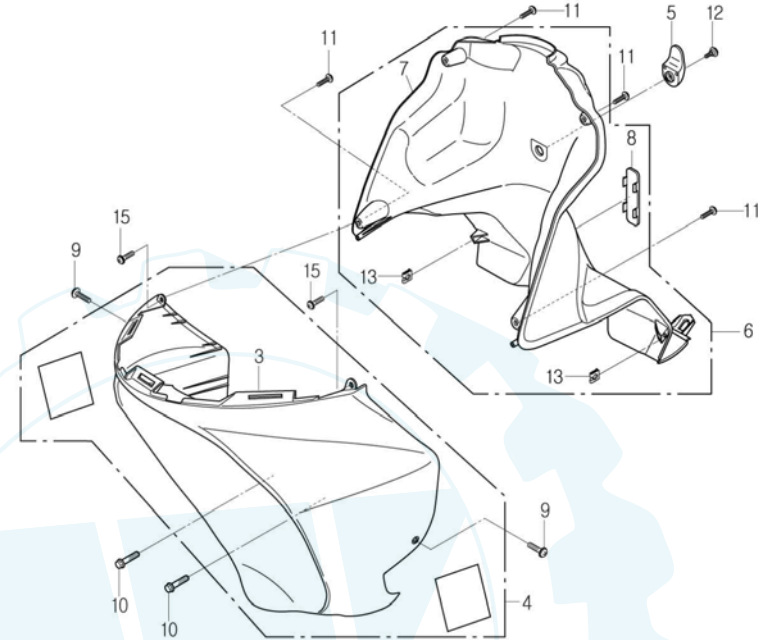
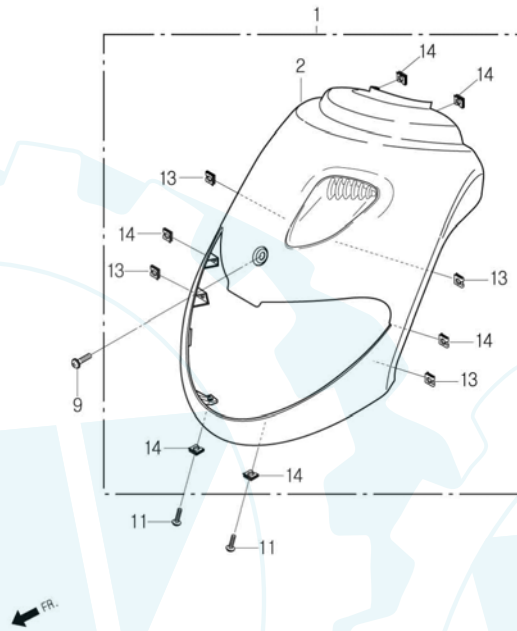
FRONT COVER



Service item	FRT	Ref. No.	Part No.	Description	QTY	A/S	Exch	Start Date	End Date	Start FRM.No	End FRM.No
		3	64400-SE1-0000-BK	COVER, FR.UNDER(BLACK)	1	Y		20010227		KMYSE1B4S1K000001	
			64400-SE1-0000-IB	COVER, FR.UNDER(I/BLUE)	1	Y		20010330		KMY00SJ501C006610	
			64400-SE1-0000-SL	COVER, FR.UNDER(SILVER)	1	Y		20010227		KMYSE1B2S2K000001	
			64400-SE1-0000-UR	COVER, FR.UNDER(S/RED)	1	Y		20010522		KMYSE1B4S1K000001	
			64400-SE3-0000-WH	COVER, FR.UNDER(WHITE)	1	Y		20010227		KMY00SJ501C009644	
			64400-SE1-RZ00-LY	COVER, FR.UNDER(L/YELLOW)	1	Y		20010330		KMYSE1B4S1K000001	
			64400-SE1-RZ00-LR	COVER, FR.UNDER(L/RED)	1	Y		20021105		KMY00SJ501C006610	
								20021105		KMYSE1B4S3K006816	
		4	64410-SE1-RB00-BK	COVER SET, FR.UNDER(BLACK)	1	Y		20031001		KMYSE1B4S4K011665	
			64410-SE1-RB00-IB	COVER SET, FR.UNDER(I/BLUE)	1	Y		20020121		KMYSE1B4S2K004360	
			64410-SE1-RB00-SL	COVER SET, FR.UNDER(SILVER)	1	Y		20020327		KMYSE1B2S2K000001	
			64410-SE1-RB00-UR	COVER SET, FR.UNDER(S/RED)	1	Y		20020104		KMY00SJ502C015339	
			64410-SE1-RZ00-LY	COVER SET, FR.UNDER(L/YELLOW)	1	Y		20010227		KMYSE1B4S1K000001	
								20010330		KMY00SJ501C006610	
								20010330		KMY00SJ501C006610	
								20010522		KMYSE1B4S1K000001	
								20010522		KMY00SJ501C009644	
								20010227		KMYSE1B4S1K000001	
								20010227		KMYSE1B4S1K000001	
								20010330		KMY00SJ501C006610	
								20010330		KMY00SJ501C006610	
								20031001		KMYSE1B4S4K011665	

F-06

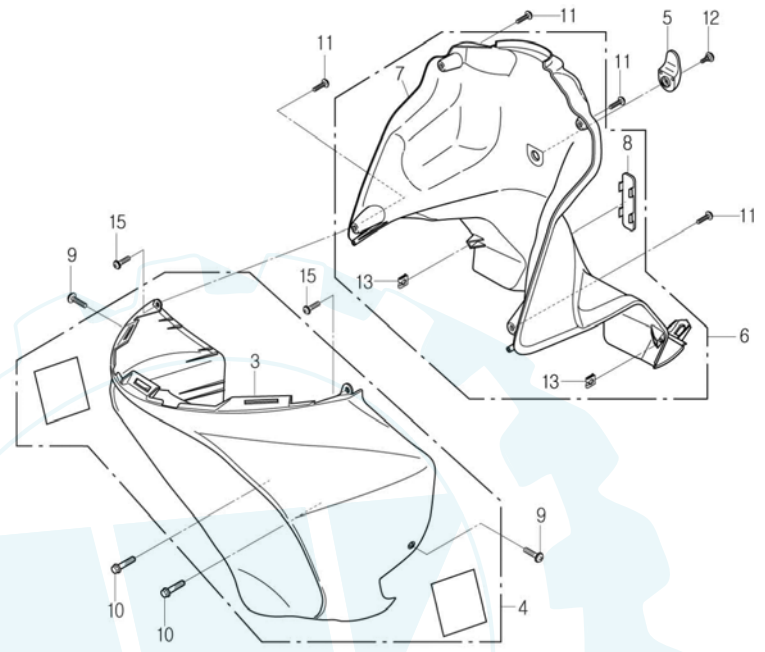
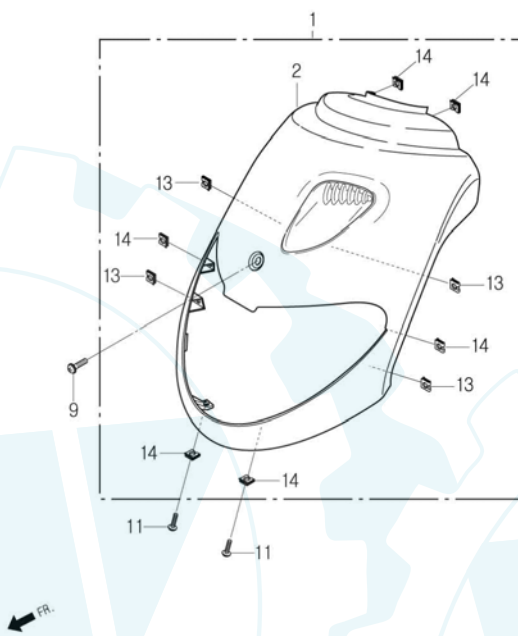
FRONT COVER



Service item	FRT	Ref. No.	Part No.	Description	QTY	A/S	Exch	Start Date	End Date	Start FRM.No	End FRM.No
			64410-SE1-RZ00-LR	COVER SET, FR.UNDER(L/RED)	1	Y		20020121 20020327		KMYSE1B4S2K004360 KMYSE1B2S2K000001	
			64410-SE1-RZ10-IB	COVER SET, FR.UNDER(I/BLUE)	1	Y		20021101		KMY00SJ501C000001 KMYSE1B4S3K006790	
		5	81100-SE1-RB00	HOLDER, BAG	1	Y		20010227 20010330 20020122		KMYSE1B4S1K000001 KMY00SJ501C006610 KMYSE1B2S2K000001	
		6	8113A-SE1-RB00	BOX ASS'Y, INNER	1	Y		20010227 20010330 20020122		KMYSE1B4S1K000001 KMY00SJ501C006610 KMYSE1B2S2K000001	
		7	81131-SE1-RB00	BOX, INNER	1	Y		20010227 20010330 20020122		KMYSE1B4S1K000001 KMY00SJ501C006610 KMYSE1B2S2K000001	
		8	81132-SE1-RB00	CAP, NUMBERING	1	Y		20010227 20010330 20020122		KMYSE1B4S1K000001 KMY00SJ501C006610 KMYSE1B2S2K000001	
		9	90110-SE5-0001	SCREW, SPECIAL 6x14	3	Y		20010227 20010330 20020122		KMYSE1B4S1K000001 KMY00SJ501C006610 KMYSE1B2S2K000001	
		10	90111-SE5-1000	BOLT, FLANGE 6mm	2	Y		20010227 20010330 20020122		KMYSE1B4S1K000001 KMY00SJ501C006610 KMYSE1B2S2K000001	

F-06

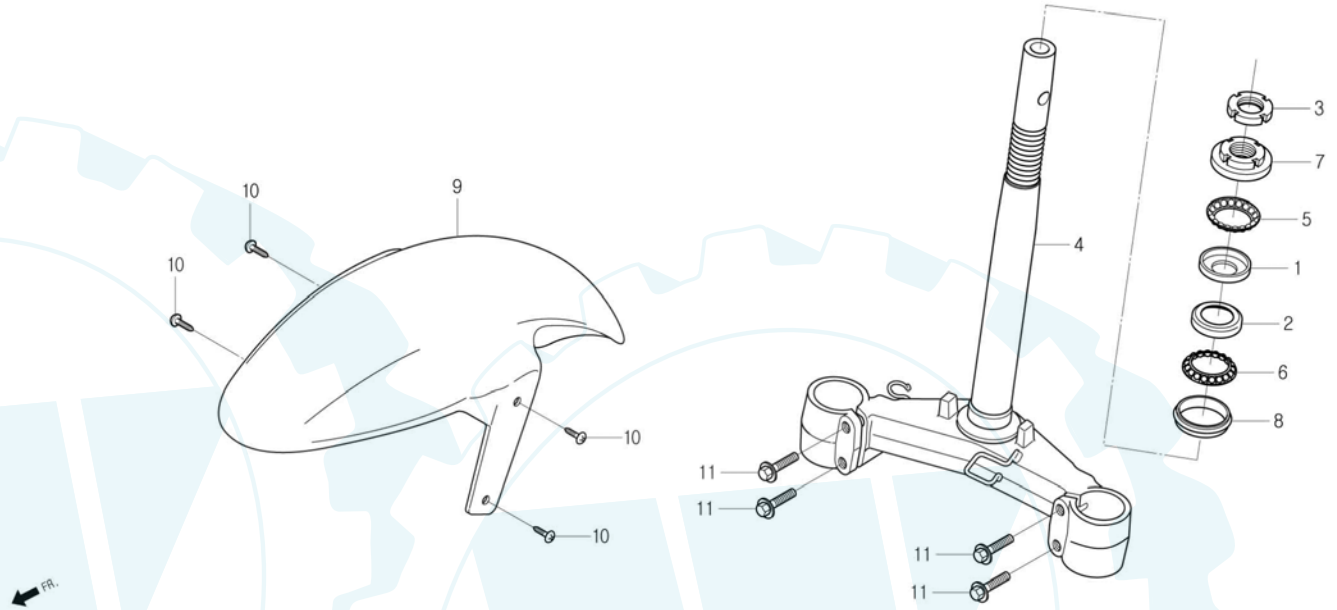
FRONT COVER



Service item	FRT	Ref. No.	Part No.	Description	QTY	A/S	Exch	Start Date	End Date	Start FRM.No	End FRM.No
		11	90115-SE5-5000	SCREW, UPPER COVER SETTING 5x18	6	Y		20010227 20010330 20020122		KMYSE1B4S1K000001 KMY00SJ501C006610 KMYSE1B2S2K000001	
		12	90124-BA6-9001	SCREW, SIDE COVER SETTING	1	Y		20010227 20010330 20020122		KMYSE1B4S1K000001 KMY00SJ501C006610 KMYSE1B2S2K000001	
		13	90305-SE5-1001	NUT, CLIP 6mm	6	Y		20010227 20010330 20020122		KMYSE1B4S1K000001 KMY00SJ501C006610 KMYSE1B2S2K000001	
		14	90677-SE5-0030	NUT, CLIP 5mm	6	Y		20010227 20010330 20020122		KMYSE1B4S1K000001 KMY00SJ501C006610 KMYSE1B2S2K000001	
		15	S3903-34320	SCREW, TAPPING 4x12	2	Y		20010227 20010330 20020122		KMYSE1B4S1K000001 KMY00SJ501C006610 KMYSE1B2S2K000001	

F-07

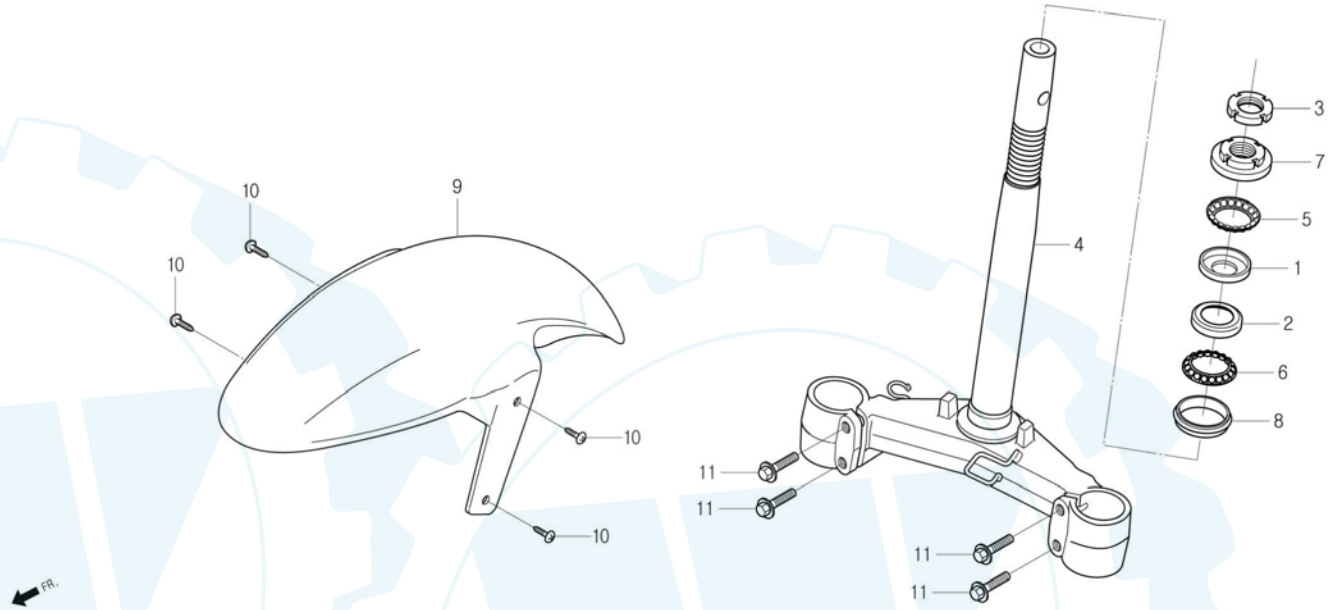
FRONT FENDER / STEERING STEM



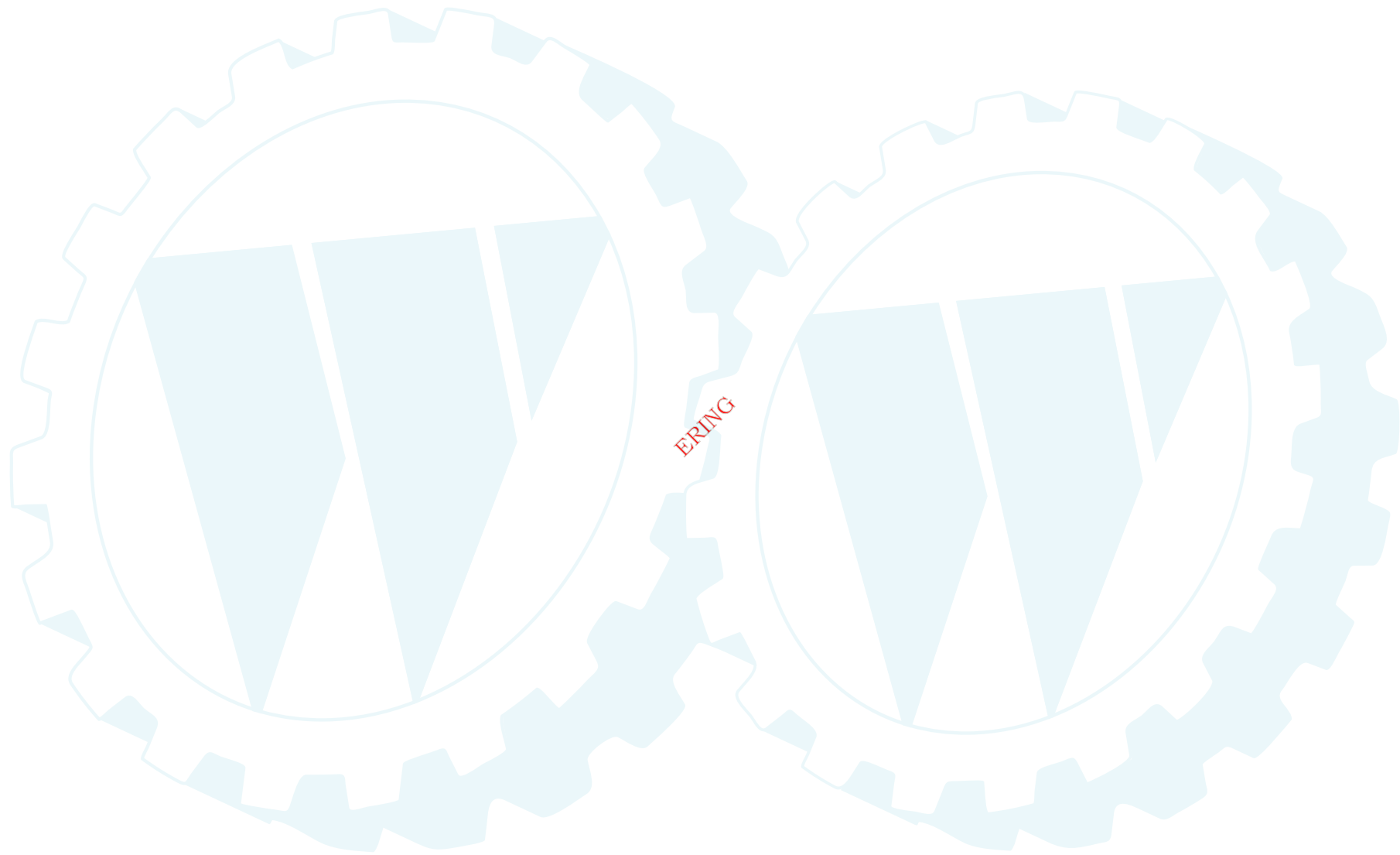
Service item	FRT	Ref. No.	Part No.	Description	QTY	A/S	Exch	Start Date	End Date	Start FRM.No	End FRM.No
FENDER, FR.	0.1	1	50301-CB2-1001	RACE, UPPER STEERING BALL	1	Y		20010227 20010330		KMYSE1B4S1K000001 KMY00SJ501C006610	
RACE, STEERING BALL (ONE or ALL)	1.5	2	50305-SC1-0032	RACE, UNDER STEERING BALL	1	Y		20020122 20010227 20010330		KMYSE1B2S2K000001 KMYSE1B4S1K000001 KMY00SJ501C006610	
RACE, STEERING TOP CONE	1.0	3	50306-SE5-9000	NUT, STEERING STEM LOCK	1	Y		20020122 20010227 20010330		KMYSE1B2S2K000001 KMYSE1B4S1K000001 KMY00SJ501C006610	
		4	53200-SE1-0001	STEM COMP., STEERING	1	Y		20020122 20010227 20010330	20030108	KMYSE1B2S2K000001 KMYSE1B4S1K000001 KMY00SJ501C006610	KMYSE1B4S3K008131
			53200-SE1-0010	STEM COMP., STEERING	1	Y		20020122 20030109 20030109	20030108	KMYSE1B2S2K000001 KMYSE1B4S3K008132 KMY00SJ503C016536	KMYSE1B2S000001
		5	53210-SE5-7511-M1	BALL ASS'Y, STEERING STEEL	1	Y		20030109 20010227 20010330		KMYSE1B2S3K000092 KMYSE1B4S1K000001 KMY00SJ501C006610	
								20020122		KMYSE1B2S2K000001	
		6	53210-SC1-9500	BALL ASS'Y, STEERING STEEL(BOTTOM)	1	Y		20010227 20010330		KMYSE1B4S1K000001 KMY00SJ501C006610	
								20020122		KMYSE1B2S2K000001	
		7	53211-SC1-0033	RACE, STEERING TOP CONE	1	Y		20010227		KMYSE1B4S1K000001	

F-07

FRONT FENDER / STEERING STEM

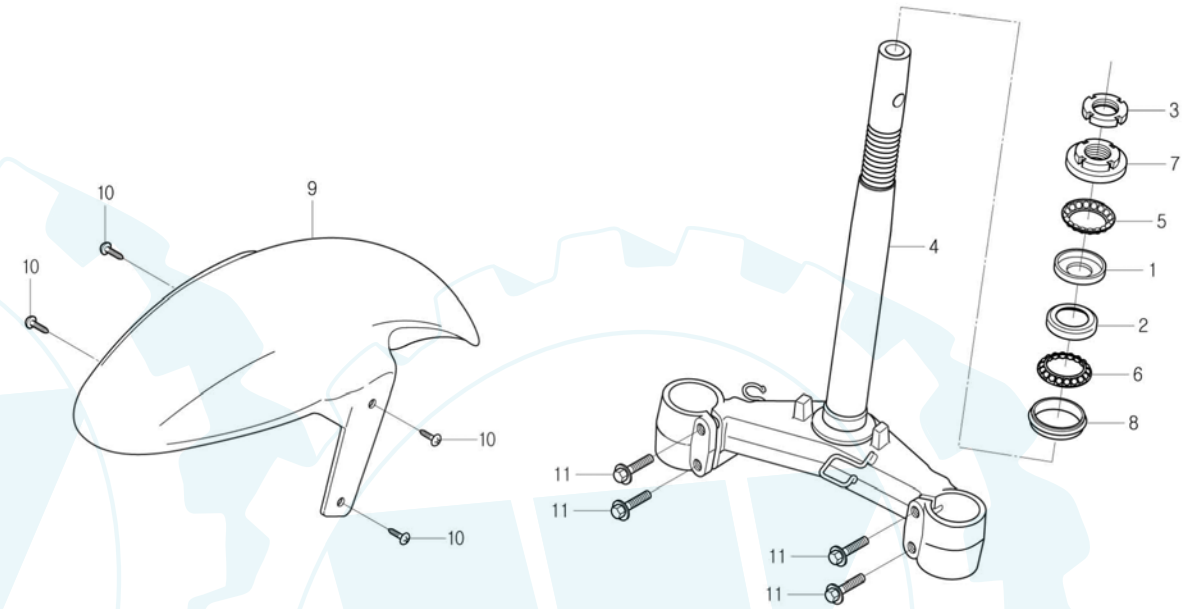


Service item	FRT	Ref. No.	Part No.	Description	QTY	A/S	Exch	Start Date	End Date	Start FRM.No	End FRM.No
		8	53212-SC1-0033	RACE, STEERING BOTTOM CONE	1	Y		20010330		KMY00SJ501C006610	
		9	61100-SE1-0000-BK	FENDER, FR.(BLACK)	1	Y		20020122		KMYSE1B2S2K000001	
			61100-SE1-0000-IB	FENDER, FR.(I/BLUE)	1	Y		20010227		KMYSE1B4S1K000001	
			61100-SE1-0000-SL	FENDER, FR.(SILVER)	1	Y		20010330		KMY00SJ501C006610	
			61100-SE1-0000-UR	FENDER, FR.(S/RED)	1	N		20010227		KMYSE1B4S1K000001	
			61100-SE1-0000-WH	FENDER, FR.(WHITE)	1	Y		19910101		KMY00SJ501C006610	
			61100-SE1-0000-LY	FENDER, FR.(L/YELLOW)	1	Y		20010330		KMYSE1B2S2K000001	
			61100-SE1-RZ00-LR	FENDER, FR.(L/RED)	1	Y		19910101		KMYSE1B4S1K000001	
		10	90110-SE5-0001	SCREW, SPECIAL 6x14	4	Y		20010522		KMY00SJ501C009644	
								19910101		KMYSE1B4S1K000001	
								20010330		KMY00SJ501C006610	
								20020122		KMYSE1B2S2K000001	



F-07

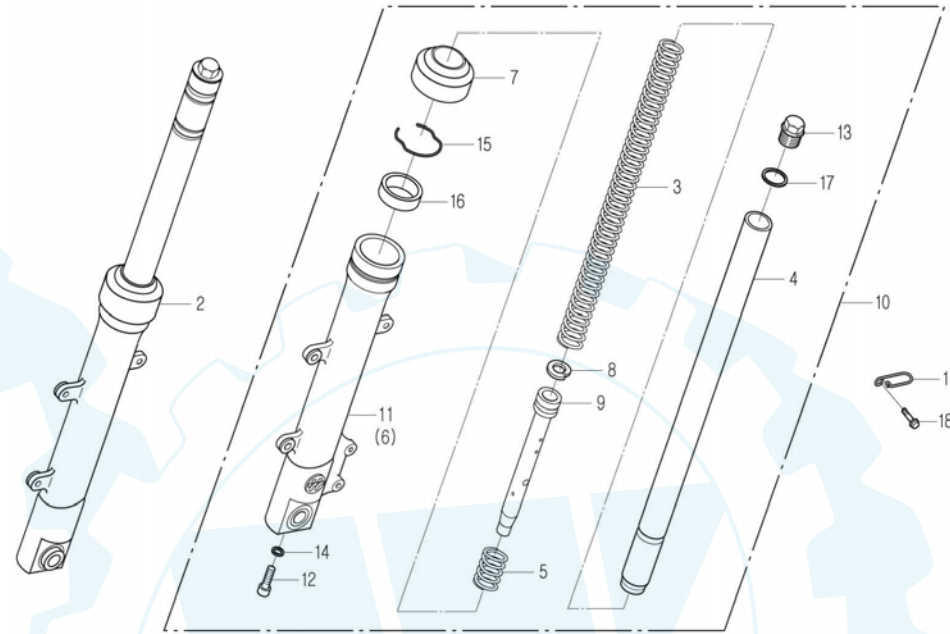
FRONT FENDER / STEERING STEM



Service item	FRT	Ref. No.	Part No.	Description	QTY	A/S	Exch	Start Date	End Date	Start FRM.No	End FRM.No
								20010330 20020122		KMY00SJ501C006610 KMYSE1B2S2K000001	

F-08

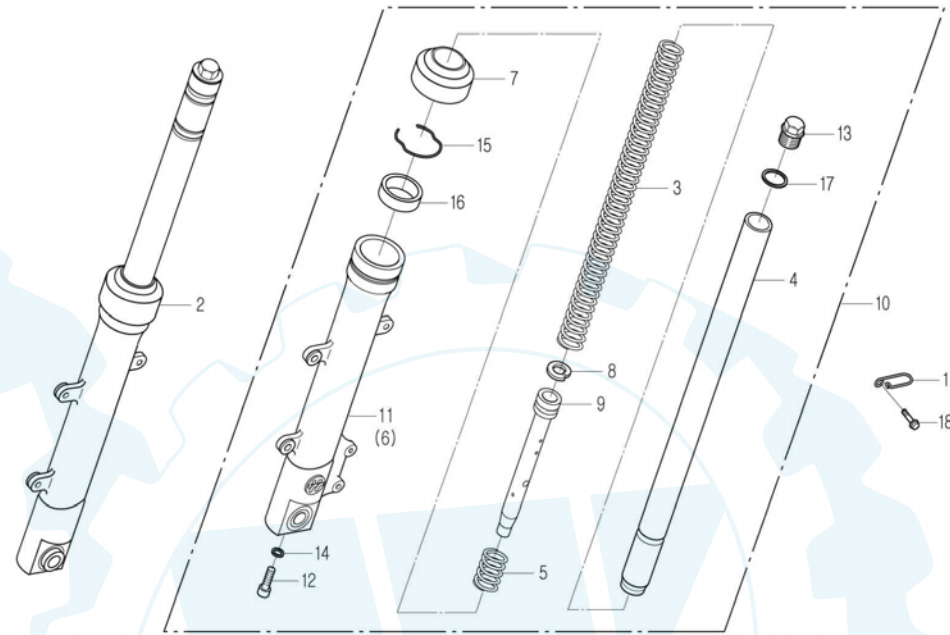
FRONT FORK



Service item	FRT	Ref. No.	Part No.	Description	QTY	A/S	Exch	Start Date	End Date	Start FRM.No	End FRM.No
FORK ASSY, FR. (ADD 0.1 FOR EACH)	1.0	1	45451-SE1-0000	GUIDE, SPEEDOMETER CABLE	1	Y		20010227 20010330 20020122		KMYSE1B4S1K000001 KMY00SJ501C006610 KMYSE1B2S2K000001	
PIPE COMP., FR.FORK (ADD 0.4 FOR EACH)	0.8	2	51400-SE1-RB00	FORK ASS'Y, RH.FR.	1	Y		20010227 20020122		KMYSE1B4S1K000001 KMYSE1B2S2K000001	
.SEAL SET, FR.FORK (ADD 0.4 FOR EACH)			51400-SE1-0000	FORK ASS'Y, RH.FR.	1	Y		20010319 20010330	20020701	KMYSE1B4S1K000391 KMY00SJ501C006610	KMYSE1B4S2K005853
CASE COMP., BOTTOM (ADD 0.5 FOR EACH)	0.9	3	51401-SE1-RB00	SPRING, FR.CUSHION	2	Y		20010227 20020122		KMYSE1B4S1K000001 KMYSE1B2S2K000001	
			51401-SE1-0000	SPRING, FR.CUSHION	2	Y		20010319 20010330	20020701	KMYSE1B4S1K000391 KMY00SJ501C006610	KMYSE1B4S2K005853
		4	51410-SE1-0000	PIPE COMP., FR.FORK	2	Y		20010227 20010330 20020122		KMYSE1B4S1K000001 KMY00SJ501C006610 KMYSE1B2S2K000001	
		5	51412-CB2-9400-W1	SPRING, REBOUND	2	Y		20010227 20010330 20020122		KMYSE1B4S1K000001 KMY00SJ501C006610 KMYSE1B2S2K000001	
		6	51420-SE1-0001	CASE, RH.FR.BOTTOM	1	Y		20010227 20010330 20020122		KMYSE1B4S1K000001 KMY00SJ501C006610 KMYSE1B2S2K000001	
		7	51425-BA6-8410-M1	SEAL, DUST	2	Y		20010227 20010330		KMYSE1B4S1K000001 KMY00SJ501C006610	

F-08

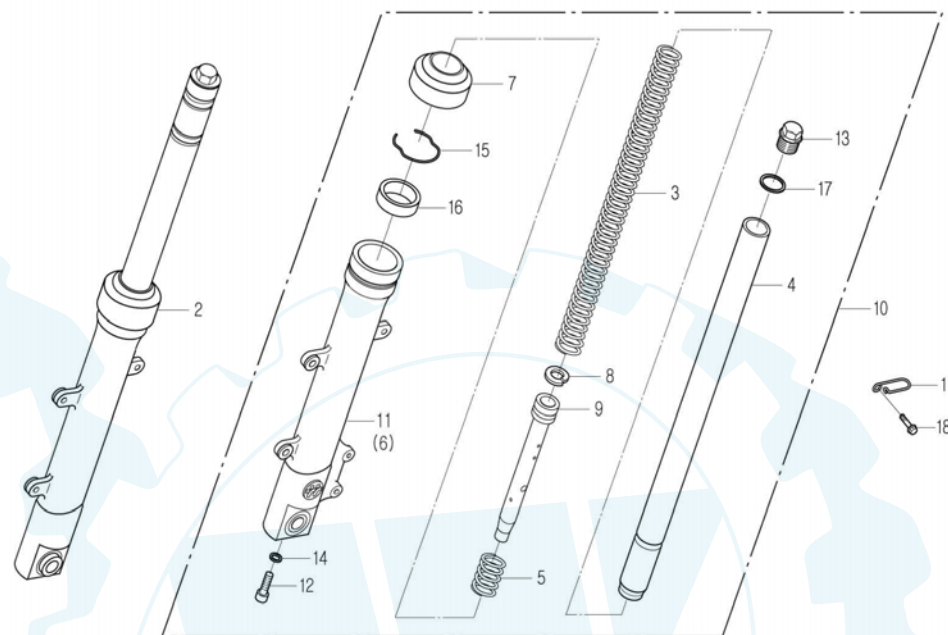
FRONT FORK



Service item	FRT	Ref. No.	Part No.	Description	QTY	A/S	Exch	Start Date	End Date	Start FRM.No	End FRM.No
		8	51437-CB2-9400-W1	RING, PISTON	2	Y		20020122 20010227 20010330		KMYSE1B2S2K000001 KMYSE1B4S1K000001 KMY00SJ501C006610	
		9	51440-SE6-9900	PIPE, SEAT	2	Y		20020122 20010227 20010330		KMYSE1B2S2K000001 KMYSE1B4S1K000001 KMY00SJ501C006610	
		10	51500-SE1-RB00	FORK ASS'Y, LH.FR.	1	Y		20020122 20010227		KMYSE1B2S2K000001 KMYSE1B4S1K000001	
			51500-SE1-0000	FORK ASS'Y, LH.FR.	1	Y		20020122 20010319 20010330	20020701	KMYSE1B2S2K000001 KMYSE1B4S1K000391 KMY00SJ501C006610	KMYSE1B4S2K005853
		11	51520-SE1-0001	CASE, LH.FR.BOTTOM	1	Y		20010227 20010330		KMYSE1B4S1K000001 KMY00SJ501C006610	
		12	90116-BA6-7210-M1	BOLT, SOCKET 8mm	2	Y		20020122 20010227 20010330		KMYSE1B2S2K000001 KMYSE1B4S1K000001 KMY00SJ501C006610	
		13	90123-SE5-0000	BOLT, FORK	2	Y		20020122 20010227 20010330		KMYSE1B2S2K000001 KMYSE1B4S1K000001 KMY00SJ501C006610	
		14	90544-HD2-0002	WASHER, SPECIAL 8mm	2	Y		20020122 20010227 20010330		KMYSE1B2S2K000001 KMYSE1B4S1K000001 KMY00SJ501C006610	

F-08

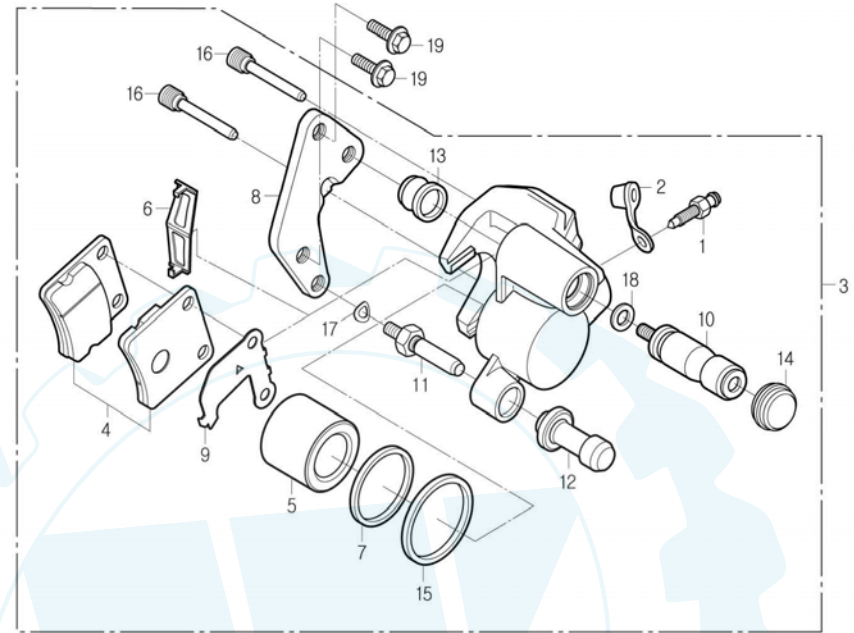
FRONT FORK



Service item	FRT	Ref. No.	Part No.	Description	QTY	A/S	Exch	Start Date	End Date	Start FRM.No	End FRM.No
		15	90601-BA6-7210-M1	RING, OIL SEAL STOPPER	2	Y		20020122 20010227 20010330 20020122		KMYSE1B2S2K000001 KMYSE1B4S1K000001 KMY00SJ501C006610 KMYSE1B2S2K000001	
		16	90756-BA6-8410-M1	SEAL, OIL	2	Y		20010227 20010330 20020122		KMYSE1B4S1K000001 KMY00SJ501C006610 KMYSE1B2S2K000001	
		17	91256-BA6-7210-M1	O-RING 17.8x2.4	2	Y		20010227 20010330 20020122		KMYSE1B4S1K000001 KMY00SJ501C006610 KMYSE1B2S2K000001	
		18	S5701-06012-08	BOLT, FLANGE 6x12	1	Y		20010227 20010330 20020122		KMYSE1B4S1K000001 KMY00SJ501C006610 KMYSE1B2S2K000001	

F-09

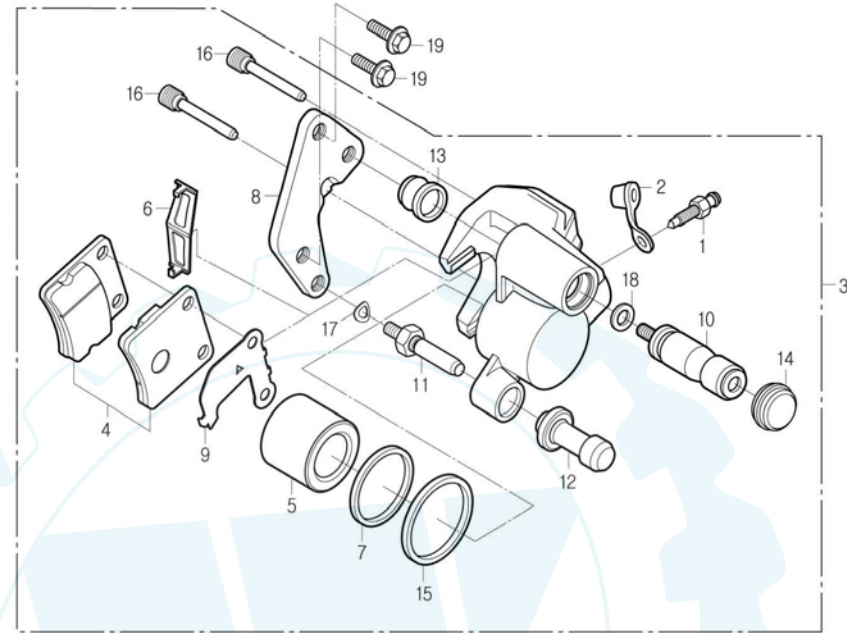
FRONT BRAKE CALIPER



Service item	FRT	Ref. No.	Part No.	Description	QTY	A/S	Exch	Start Date	End Date	Start FRM.No	End FRM.No
SEAL SET, PISTON	0.5	1	43352-SE6-9800	SCREW, BLEEDER	1	Y		20010227 20010330 20020122		KMYSE1B4S1K000001 KMY00SJ501C006610 KMYSE1B2S2K000001	
.PISTON (INCLUDE RELATIVE PARTS)		2	43353-SE6-9800	CAP, BLEEDER	1	Y		20010227 20010330 20020122		KMYSE1B4S1K000001 KMY00SJ501C006610 KMYSE1B2S2K000001	
PAD SET	0.2	3	45100-SE1-RB00	CALIPER ASS'Y, LH.FR.	1	Y		20010227 20021014 20020122		KMYSE1B4S1K000001 KMY00SJ502C016166 KMYSE1B2S2K000001	
.BRACKET, RR.		3	45100-SE1-RB00	CALIPER ASS'Y, LH.FR.	1	Y		20010227 20021014 20020122		KMYSE1B4S1K000001 KMY00SJ502C016166 KMYSE1B2S2K000001	
CALIPER ASS'Y, LH.FR.	0.4		45100-SE1-0000	CALIPER ASS'Y, LH.FR.	1	N	N	20010319 20010330 20020103	20020701 20021013	KMYSE1B4S1K000391 KMY00SJ501C006610 KMYSE1B4S1K000001	KMYSE1B4S2K005853 KMY00SJ502C016165
		4	45105-SE5-5001-EU	PAD COMP.	2	Y		20010227 20021014 20020122		KMYSE1B4S1K000001 KMY00SJ502C016166 KMYSE1B2S2K000001	
			45105-SE6-9801	PAD COMP.	2	N	N	20010319 20010330 20020103	20020701 20021013	KMYSE1B4S1K000391 KMY00SJ501C006610 KMYSE1B4S1K000001	KMYSE1B4S2K005853 KMY00SJ502C016165
		5	45107-SE6-9800	PISTON	1	Y		20010227 20010330 20020122		KMYSE1B4S1K000001 KMY00SJ501C006610 KMYSE1B2S2K000001	
		6	45108-SE6-9800	SPRING, PAD	1	Y		20010227 20010330 20020122		KMYSE1B4S1K000001 KMY00SJ501C006610 KMYSE1B2S2K000001	

F-09

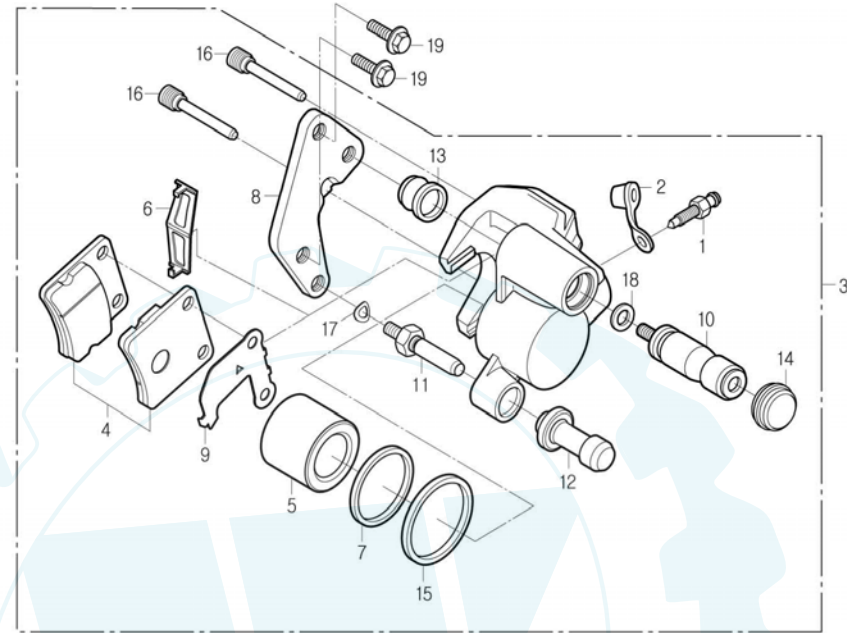
FRONT BRAKE CALIPER



Service item	FRT	Ref. No.	Part No.	Description	QTY	A/S	Exch	Start Date	End Date	Start FRM.No	End FRM.No
		7	45109-SE6-9800	SEAL, DUST	1	Y		20010227 20010330 20020122		KMYSE1B4S1K000001 KMY00SJ501C006610 KMYSE1B2S2K000001	
		8	45110-SE1-0000	BRACKET, LH.	1	Y		20010227 20010330 20020122		KMYSE1B4S1K000001 KMY00SJ501C006610 KMYSE1B2S2K000001	
		9	45114-SE6-9800	SHIM, LH.	1	Y		20010227 20010330 20020122		KMYSE1B4S1K000001 KMY00SJ501C006610 KMYSE1B2S2K000001	
		10	45115-SE6-9800	PIN, SLIDE	1	Y		20010227 20010330 20020122		KMYSE1B4S1K000001 KMY00SJ501C006610 KMYSE1B2S2K000001	
		11	45131-SE6-9800	BOLT, PIN	1	Y		20010227 20010330 20020122		KMYSE1B4S1K000001 KMY00SJ501C006610 KMYSE1B2S2K000001	
		12	45132-SE6-9800	BUSH, PIN	1	Y		20010227 20010330 20020122		KMYSE1B4S1K000001 KMY00SJ501C006610 KMYSE1B2S2K000001	
		13	45133-SE6-9800	BOOT, PIN	1	Y		20010227 20010330 20020122		KMYSE1B4S1K000001 KMY00SJ501C006610 KMYSE1B2S2K000001	
		14	45134-SE6-9800	PLUG, DUST	1	Y		20010227		KMYSE1B4S1K000001	

F-09

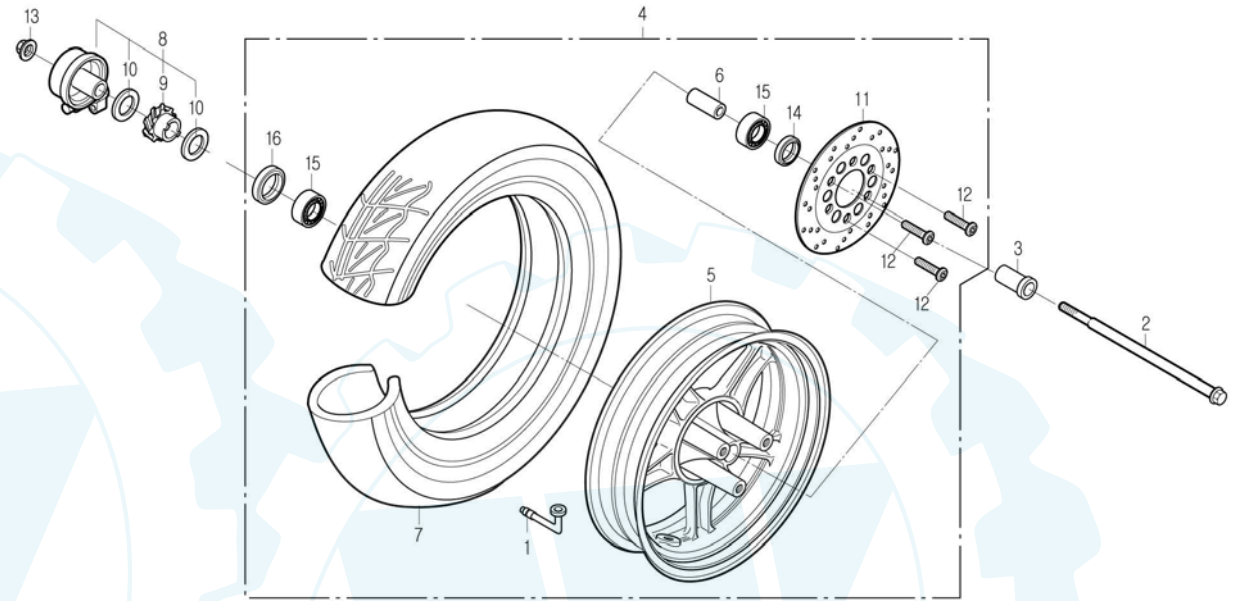
FRONT BRAKE CALIPER



Service item	FRT	Ref. No.	Part No.	Description	QTY	A/S	Exch	Start Date	End Date	Start FRM.No	End FRM.No
		15	45209-SE6-9800	SEAL, PISTON	1	Y		20010330 20020122 20010227 20010330 20020122		KMY00SJ501C006610 KMYSE1B2S2K000001 KMYSE1B4S1K000001 KMY00SJ501C006610 KMYSE1B2S2K000001	
		16	45215-SE6-9800	PIN, HANGER	2	Y		20010227 20010330 20020122		KMYSE1B4S1K000001 KMY00SJ501C006610 KMYSE1B2S2K000001	
		17	45216-SE6-9800	WASHER, WAVE	1	Y		20010227 20010330 20020122		KMYSE1B4S1K000001 KMY00SJ501C006610 KMYSE1B2S2K000001	
		18	45218-SE6-9800	WASHER, CONICAL SPRING	1	Y		20010227 20010330 20020122		KMYSE1B4S1K000001 KMY00SJ501C006610 KMYSE1B2S2K000001	
		19	S5801-08025-08	BOLT, FLANGE 8x25	2	Y		20010227 20010330 20020122		KMYSE1B4S1K000001 KMY00SJ501C006610 KMYSE1B2S2K000001	

F-10

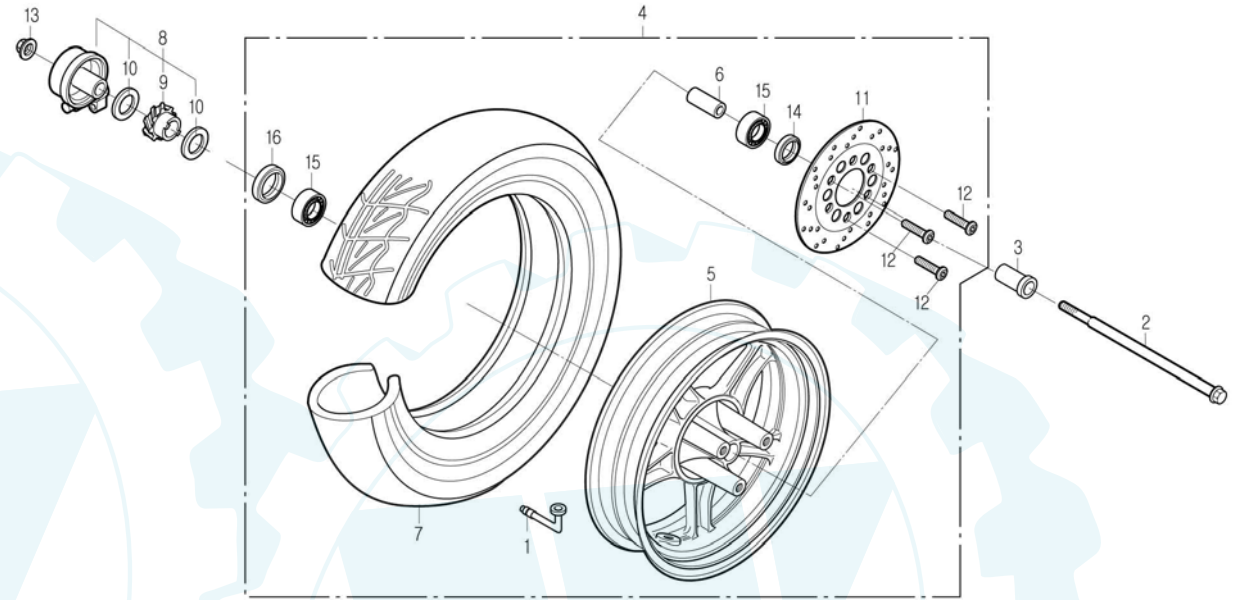
FRONT WHEEL



Service item	FRT	Ref. No.	Part No.	Description	QTY	A/S	Exch	Start Date	End Date	Start FRM.No	End FRM.No
AXLE, FR.WHEEL	0.2	1	42753-BA7-0000	VALVE, RIM TR 413	1	Y		20010227		KMYSE1B4S1K000001	
COLOR COMP., FR.DISTANCE	0.3							20010330		KMY00SJ501C006610	
.DISK, LH.FR.BRAKE		2	44301-SA1-0001	AXLE, FR.WHEEL	1	Y		20020122		KMYSE1B2S2K000001	
.BEARING, RADIAL BALL 6201U (ADD 0.1 FOR EACH)								20010227		KMYSE1B4S1K000001	
WHEEL ASS'Y, FR.	0.5	3	44312-SC1-0001	COLLAR A, FR.BRAKE	1	Y		20010330		KMY00SJ501C006610	
TIRE	0.6	4	44600-SE1-0002	WHEEL ASS'Y, FR.	1	Y		20020122		KMYSE1B2S2K000001	
BOX ASS'Y, SPEEDOMETER GEAR	0.3							20010227		KMYSE1B4S1K000001	
		5	44601-SE1-0000	WHEEL, FR.CASTING	1	Y		20010330		KMY00SJ501C006610	
								20020122		KMYSE1B2S2K000001	
		6	44620-SE1-0000	COLLAR, FR.AXLE DISTANCE	1	Y		20010227		KMYSE1B4S1K000001	
								20010330		KMY00SJ501C006610	
								20020122		KMYSE1B2S2K000001	
		7	44711-SE1-0000	TIRE, FR.(120/70-12 53K)	1	Y		20010227		KMYSE1B4S1K000001	
								20010330		KMY00SJ501C006610	
								20020122		KMYSE1B2S2K000001	
		8	44800-SE1-0000	GEAR BOX ASS'Y, SPEEDOMETER	1	N	Y	20010227	20030317	KMYSE1B4S1K000001	KMYSE1B4S3K009051

F-10

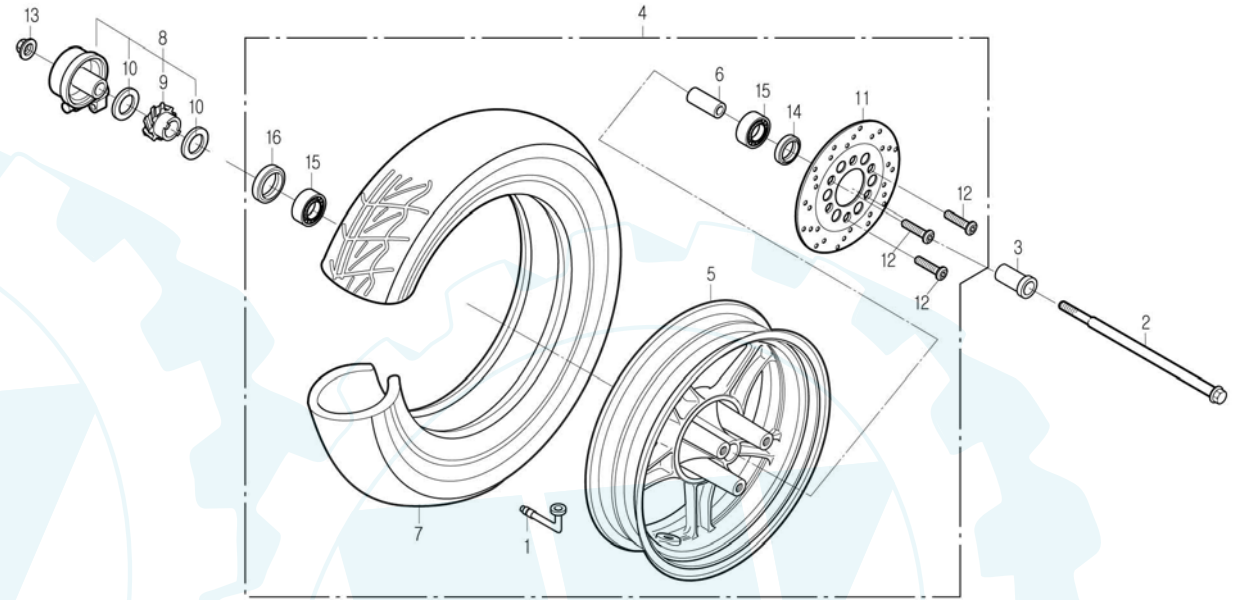
FRONT WHEEL



Service item	FRT	Ref. No.	Part No.	Description	QTY	A/S	Exch	Start Date	End Date	Start FRM.No	End FRM.No
			44800-SE1-0000-M3	GEAR BOX ASS'Y, SPEEDOMETER	1	Y		20010330	20030317	KMY00SJ501C006610	KMY00SJ503C016535
		9	44806-SE1-0000-M1	GEAR, SPEEDOMETER	1	N	N	20020122	20030317	KMYSE1B2S2K000001	KMYSE1B2S000001
			44806-SE1-0000-M3	GEAR, SPEEDOMETER	1	N		20030318		KMYSE1B4S3K009052	
								20030318		KMY00SJ503C016536	
								20030318		KMYSE1B2S3K000092	
		10	44809-BA7-0031-H1	WASHER, SPEEDOMETER GEAR	2	N	Y	20010227	20030317	KMYSE1B4S1K000001	KMYSE1B4S3K009051
								20010330	20030317	KMY00SJ501C006610	KMY00SJ503C016535
								20020122	20030317	KMYSE1B2S2K000001	KMYSE1B2S000001
			44807-CB2-0030-M3	WASHER, PINION	2	N		20030318		KMYSE1B4S3K009052	
								20030318		KMY00SJ503C016536	
								20030318		KMYSE1B2S3K000092	
		11	45121-SC1-9512	DISK, FR.BRAKE	1	Y	N	20010227	20031023	KMYSE1B4S1K000001	KMYSE1B4S4K012069
								20010330	20031023	KMY00SJ501C006610	KMY00SJ50000001
								20020122	20031023	KMYSE1B2S2K000001	KMYSE1B2S000001
			45121-SC1-9520-M1	DISK, FRONT BRAKE	1	Y		20031024		KMYSE1B4S4K012070	
								20031024		KMY00SJ503C016557	

F-10

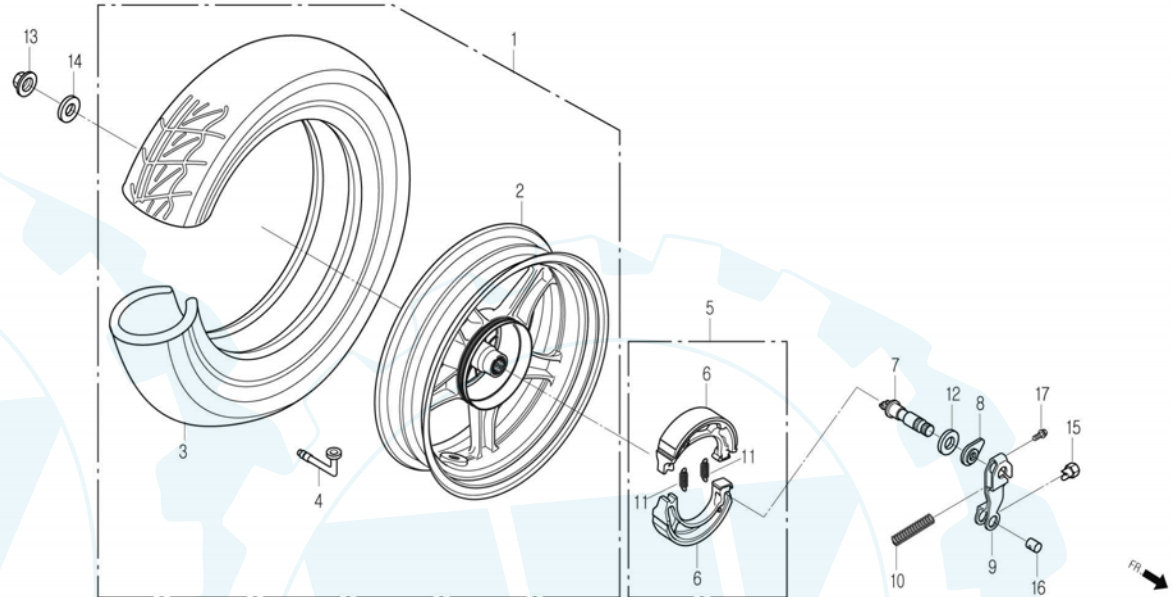
FRONT WHEEL



Service item	FRT	Ref. No.	Part No.	Description	QTY	A/S	Exch	Start Date	End Date	Start FRM.No	End FRM.No
		12	90106-BA6-0101	BOLT, FR.DISK 8x57	3	N	Y	20031024 20010227	20010719	KMYSE1B2S3K000092 KMYSE1B4S1K000001	KMYSE1B4S1K002713
			90106-SC1-0000	BOLT, FR.DISK 8x57	3	Y		20010330 20010720 20010720 20020122	20010719	KMY00SJ501C006610 KMYSE1B4S1K002714 KMY00SJ501C012074 KMYSE1B2S2K000001	KMY00SJ501C012073
		13	90306-CB3-0000	NUT, FLANGE 12mm	1	Y		20010227 20010330 20020122		KMYSE1B4S1K000001 KMY00SJ501C006610 KMYSE1B2S2K000001	
		14	90754-SC1-0030	SEAL, DUST 20x32x5	1	Y		20010227 20010330 20020122		KMYSE1B4S1K000001 KMY00SJ501C006610 KMYSE1B2S2K000001	
		15	90912-SC1-0030	BEARING, RADIAL BALL 6201 U (NTN)	2	Y		20010227 20010330 20020122		KMYSE1B4S1K000001 KMY00SJ501C006610 KMYSE1B2S2K000001	
		16	91258-BA6-1030	SEAL, SPEEDMETER GEAR BOX	1	Y		20010227 20010330 20020122		KMYSE1B4S1K000001 KMY00SJ501C006610 KMYSE1B2S2K000001	

F-11

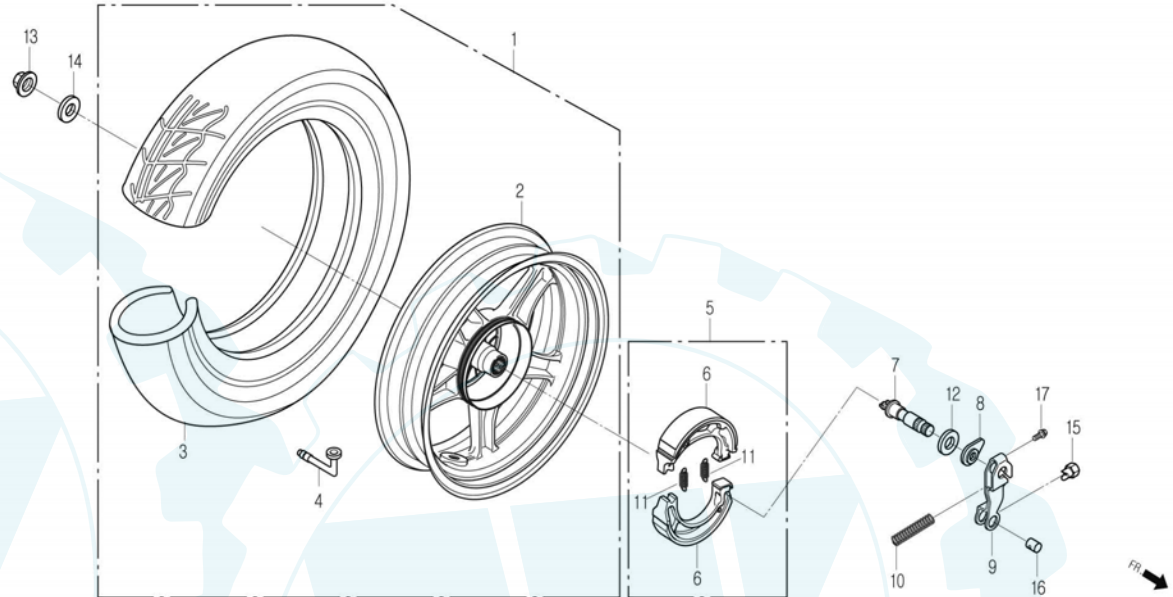
REAR WHEEL



Service item	FRT	Ref. No.	Part No.	Description	QTY	A/S	Exch	Start Date	End Date	Start FRM.No	End FRM.No
SHOE SET, BRAKE	0.5	1	42600-SE1-0000	WHEEL ASS'Y, RR.	1	Y		20010227		KMYSE1B4S1K000001	
WHEEL ASS'Y, RR.	0.7							20010330		KMY00SJ501C006610	
TIRE, RR.		2	42601-SE1-0000	WHEEL, RR.CASTING	1	Y		20020122		KMYSE1B2S2K000001	
CAM, RR.BRAKE	0.6							20010227		KMYSE1B4S1K000001	
ARM, RR.BRAKE	0.2							20010330		KMY00SJ501C006610	
		3	42711-SE1-0000	TIRE, RR.(130/70-12 62K)	1	Y		20020122		KMYSE1B2S2K000001	
		4	42753-BA7-0000	VALVE, RIM TR 413	1	Y		20010227		KMYSE1B4S1K000001	
								20010330		KMY00SJ501C006610	
								20020122		KMYSE1B2S2K000001	
		5	4312A-SA1-0000-EU	SHOE ASS'Y, BRAKE	1	Y		20010227		KMYSE1B4S1K000001	
								20021014		KMY00SJ502C016166	
								20020122		KMYSE1B2S2K000001	
			4312B-CB2-0000	SHOE ASS'Y, RR.BRAKE	1	Y	N	20010319	20020701	KMYSE1B4S1K000391	KMYSE1B4S2K005853
								20010330	20021013	KMY00SJ501C006610	KMY00SJ502C016165
		6	43120-SA1-0000-EU	SHOE COMP., BRAKE	2	N		20010227		KMYSE1B4S1K000001	
								20021014		KMY00SJ502C016166	
								20020122		KMYSE1B2S2K000001	
			43120-CB2-0032	SHOE COMP., BRAKE	2	N	N	20010319	20020701	KMYSE1B4S1K000391	KMYSE1B4S2K005853
								20010330	20021013	KMY00SJ501C006610	KMY00SJ502C016165

F-11

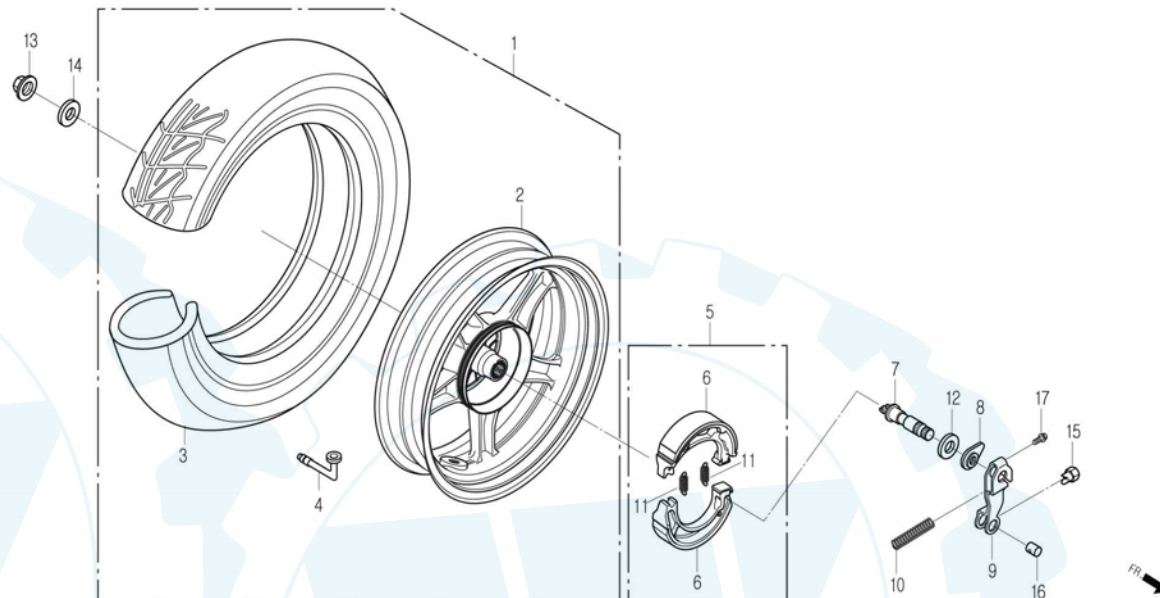
REAR WHEEL



Service item	FRT	Ref. No.	Part No.	Description	QTY	A/S	Exch	Start Date	End Date	Start FRM.No	End FRM.No
		7	43141-SE1-0000	CAM, RR.BRAKE	1	Y		20010227 20010330 20020122		KMYSE1B4S1K000001 KMY00SJ501C006610 KMYSE1B2S2K000001	
		8	43145-SB1-0000	INDICATOR, RR.BRAKE	1	Y		20010227 20010330 20020122		KMYSE1B4S1K000001 KMY00SJ501C006610 KMYSE1B2S2K000001	
		9	43410-SE1-0000	ARM, RR.BRAKE	1	Y		20010227 20010330 20020122		KMYSE1B4S1K000001 KMY00SJ501C006610 KMYSE1B2S2K000001	
		10	43472-SE5-0200	SPRING, RR.BRAKE ARM	1	Y		20010227 20010330 20020122		KMYSE1B4S1K000001 KMY00SJ501C006610 KMYSE1B2S2K000001	
		11	45133-CB2-0000	SPRING, RR.BRAKE SHOE	2	N		20010227 20010330 20020122		KMYSE1B4S1K000001 KMY00SJ501C006610 KMYSE1B2S2K000001	
		12	45134-CB2-0000	SEAL, BRAKE CAM DUST	1	Y		20010227 20010330 20020122		KMYSE1B4S1K000001 KMY00SJ501C006610 KMYSE1B2S2K000001	
		13	90305-SE5-0000	NUT, U 14mm	1	Y		20010227 20010330 20020122		KMYSE1B4S1K000001 KMY00SJ501C006610 KMYSE1B2S2K000001	
		14	90501-SE6-0001	WASHER 26x14xT2.8	1	Y		20010227		KMYSE1B4S1K000001	

F-11

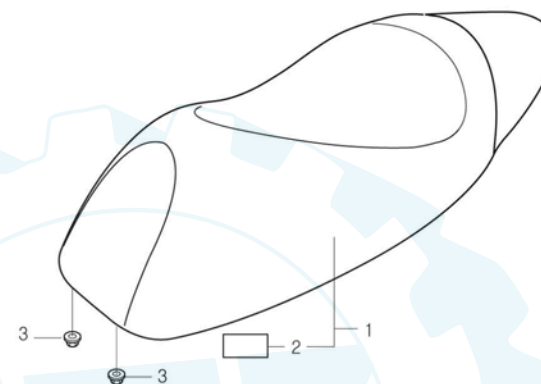
REAR WHEEL



Service item	FRT	Ref. No.	Part No.	Description	QTY	A/S	Exch	Start Date	End Date	Start FRM.No	End FRM.No
		15	S5015-BA6-0000-M1	NUT B, ADJUST(Y)	1	Y		20010330 20020122 20010227 20010330 20020122		KMY00SJ501C006610 KMYSE1B2S2K000001 KMYSE1B4S1K000001 KMY00SJ501C006610 KMYSE1B2S2K000001	
		16	S5016-CB3-0000	JOINT B, BRAKE ARM	1	Y		20010227 20010330 20020122		KMYSE1B4S1K000001 KMY00SJ501C006610 KMYSE1B2S2K000001	
		17	S5701-06030-08	BOLT, FLANGE 6x30	1	Y		20010227 20010330 20020122		KMYSE1B4S1K000001 KMY00SJ501C006610 KMYSE1B2S2K000001	

F-12

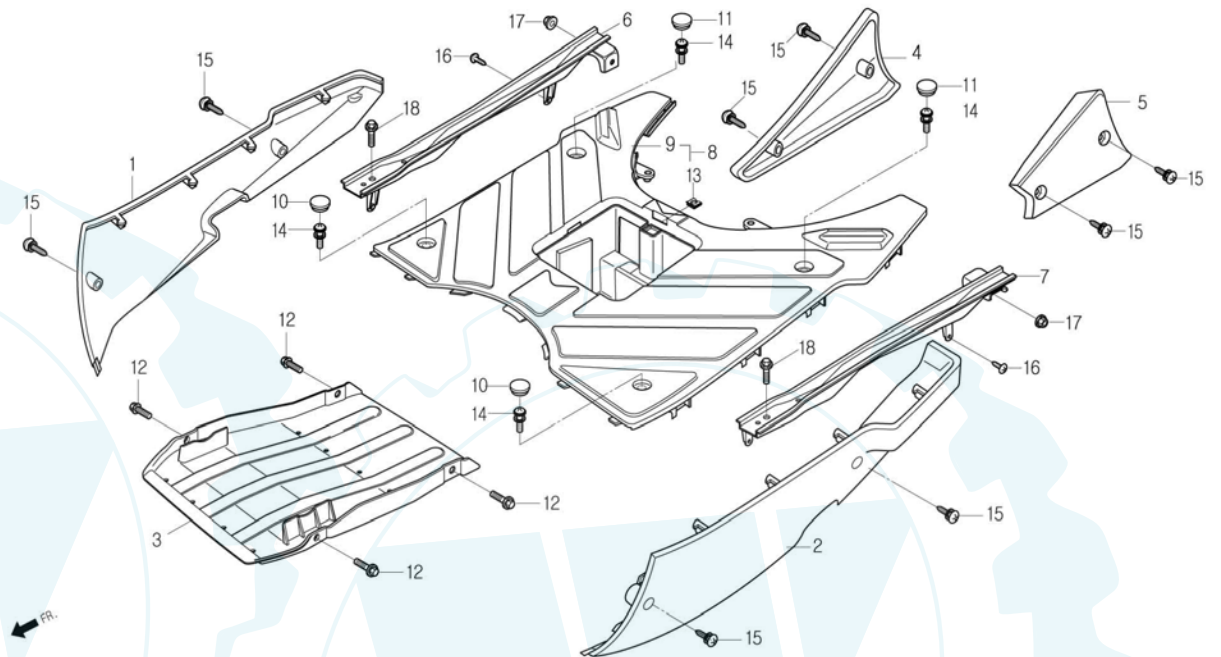
SEAT



Service item	FRT	Ref. No.	Part No.	Description	QTY	A/S	Exch	Start Date	End Date	Start FRM.No	End FRM.No								
SEAT ASS'Y, DOUBLE	0.2	1	77200-SE1-RB00	SEAT ASS'Y, DOUBLE	1	Y		20010227		KMYSE1B4S1K000001									
			77200-SE1-RZ00	SEAT ASS'Y, DOUBLE(EURO2)	1	Y		20030718		KMYSE1B4S3K011156									
			77200-SE1-0001	SEAT ASS'Y, DOUBLE	1	Y		20010319	20020701	KMYSE1B4S1K000391	KMYSE1B4S2K005853								
		2	87565-SE1-RB00	87565-SE1-RB10	87565-SE1-RN00	CONTROL LABEL, ANTI TAMPERING	1	Y	N	20010227	20020515	KMYSE1B4S1K000001	KMYSE1B4S2K005447						
														87565-SE1-RZ00	CONTROL LABEL, ANTI TAMPERING(EURO2)	1	Y	20020122	KMYSE1B2S2K000001
														87565-SE1-RB00	CONTROL LABEL, ANTI TAMPERING	1	Y	20020516	KMYSE1B4S2K005447
														87565-SE1-RB10	CONTROL LABEL, ANTI TAMPERING	1	Y	20020122	KMYSE1B2S2K000001
														87565-SE1-RN00	CONTROL LABEL, ANTI TAMPERING	1	Y	20030718	KMYSE1B4S3K011156
														87565-SE1-RZ00	CONTROL LABEL, ANTI TAMPERING(EURO2)	1	Y	20010227	KMYSE1B4S1K000001
		3	S4050-06080		NUT, FLANGE 6mm	2	Y		20010227	20010330	20020122	KMYSE1B4S1K000001	KMY00SJ501C006610						
														KMYSE1B4S1K000001					
															KMYSE1B2S2K000001				

F-13

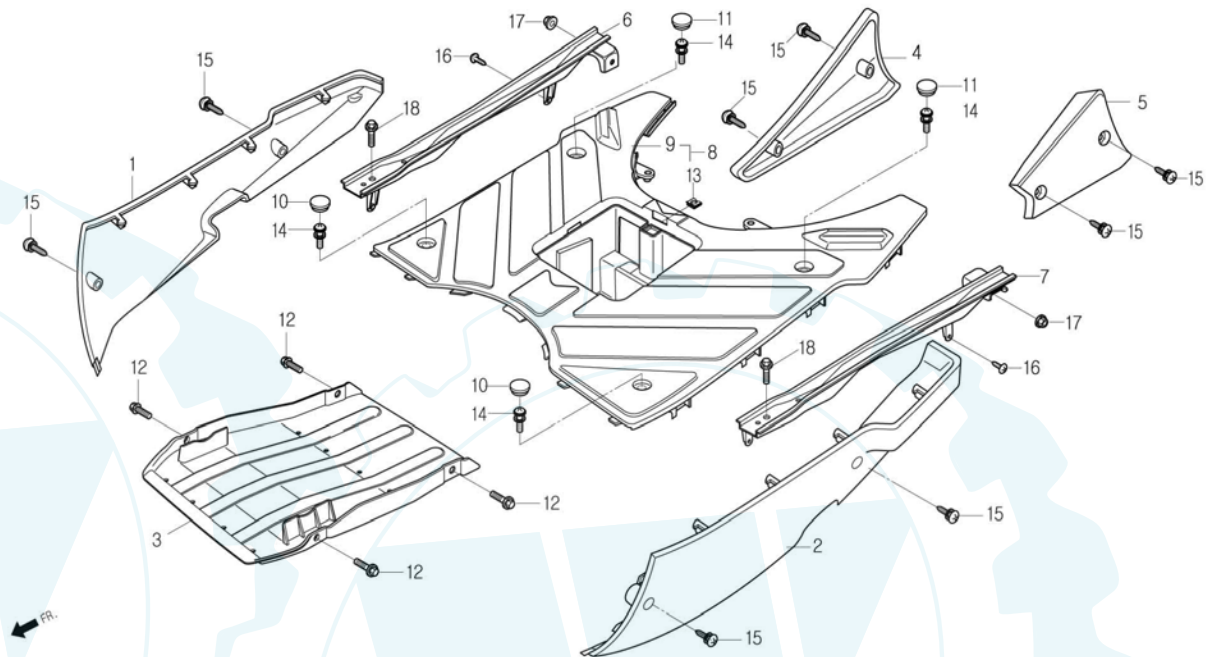
FLOOR PANEL



Service item	FRT	Ref. No.	Part No.	Description	QTY	A/S	Exch	Start Date	End Date	Start FRM.No	End FRM.No
COVER, RH.FLOOR SIDE	0.2	1	50613-SE1-0000-BK	COVER, RH.FLOOR SIDE(BLACK)	1	Y		19910101		KMYSE1B4S1K000001	
COVER, LH.FLOOR SIDE	0.2		50613-SE1-0000-IB	COVER, RH.FLOOR SIDE(I/BLUE)	1	Y		20010227		KMYSE1B4S1K000001	
COVER, UNDER	0.3							20010330		KMY00SJ501C006610	
PANEL, FLOOR	0.5		50613-SE1-0000-SL	COVER, RH.FLOOR SIDE(SILVER)	1	Y		19910101		KMYSE1B2S2K000001	
COVER, RH.ENGINE HANGER SIDE	0.2							20010522		KMY00SJ501C009644	
COVER, LH.ENGINE HANGER SIDE	0.2		50613-SE1-0000-UR	COVER, RH.FLOOR SIDE(S/RED)	1	Y		19910101		KMYSE1B2S2K000001	
			50613-SE1-0000-WH	COVER, RH.FLOOR SIDE(WHITE)	1	Y		19910101		KMYSE1B4S1K000001	
			50613-SE1-0000-LY	COVER, RH.FLOOR SIDE(L/YELLOW)	1	Y		20021105		KMYSE1B4S3K006816	
			50613-SE1-RZ00-LR	COVER, RH.FLOOR SIDE(L/RED)	1	Y		20031001		KMYSE1B4S4K011665	
								20020121		KMYSE1B4S2K004360	
								20020327		KMYSE1B2S2K000001	
								19910101		KMY00SJ501C000001	
		2	50614-SE1-0000-BK	COVER, LH.FLOOR SIDE(BLACK)	1	Y		19910101		KMYSE1B4S1K000001	
			50614-SE1-0000-IB	COVER, LH.FLOOR SIDE(I/BLUE)	1	Y		20010330		KMY00SJ501C006610	
								20010227		KMYSE1B4S1K000001	
								20010330		KMY00SJ501C006610	
								19910101		KMYSE1B2S2K000001	
			50614-SE1-0000-SL	COVER, LH.FLOOR SIDE(SILVER)	1	Y		20010227		KMYSE1B4S1K000001	
								20010522		KMY00SJ501C009644	
								19910101		KMYSE1B2S2K000001	

F-13

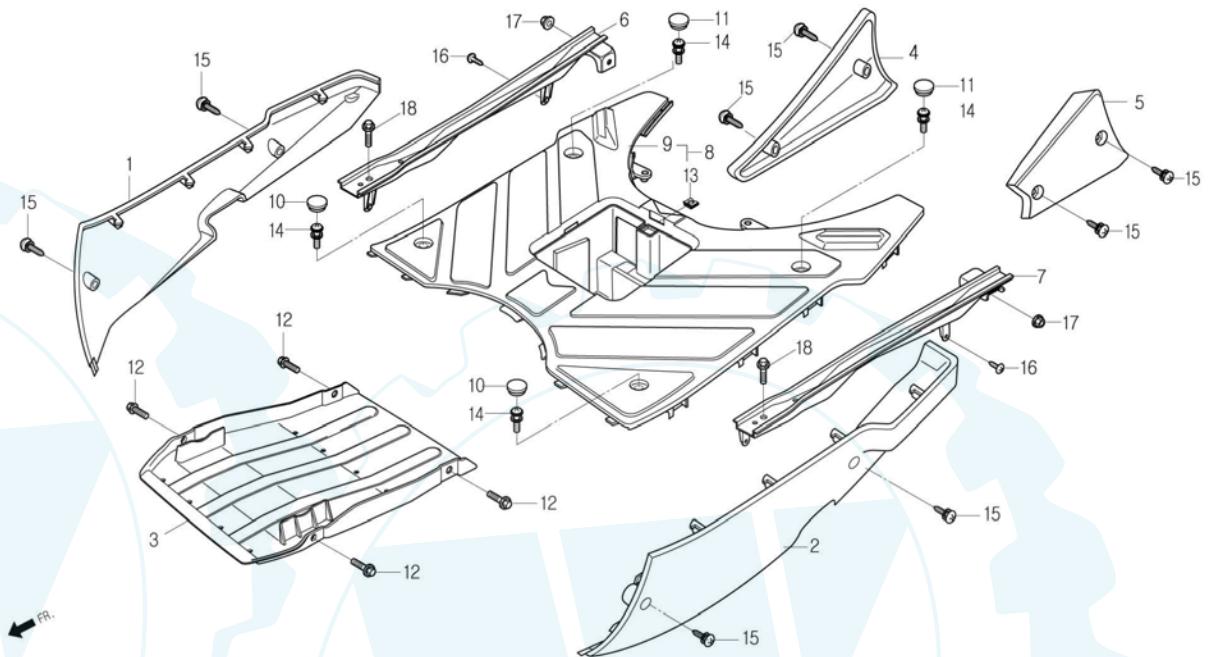
FLOOR PANEL



Service item	FRT	Ref. No.	Part No.	Description	QTY	A/S	Exch	Start Date	End Date	Start FRM.No	End FRM.No
			50614-SE1-0000-UR	COVER, LH.FLOOR SIDE(S/RED)	1	Y		19910101		KMYSE1B4S1K000001	
			50614-SE1-0000-WH	COVER, LH.FLOOR SIDE(WHITE)	1	Y		20021105		KMYSE1B4S3K006816	
			50614-SE1-0000-LY	COVER, RH.FLOOR SIDE(L/YELLOW)	1	Y		20031001		KMYSE1B4S4K011665	
			50614-SE1-RZ00-LR	COVER, LH.FLOOR SIDE(L/RED)	1	Y		20020121		KMYSE1B4S2K004360	
								20020327		KMYSE1B2S2K000001	
		3	50621-SE1-0000	COVER, UNDER	1	Y		19910101		KMY00SJ501C000001	
								20010227		KMYSE1B4S1K000001	
								20010330		KMY00SJ501C006610	
								20020122		KMYSE1B2S2K000001	
		4	50631-SE1-0000	COVER, RH.ENGINE HANGER SIDE	1	Y		20010227		KMYSE1B4S1K000001	
								20010330		KMY00SJ501C006610	
								20020122		KMYSE1B2S2K000001	
		5	50632-SE1-0000	COVER, LH.ENGINE HANGER SIDE	1	Y		20010227		KMYSE1B4S1K000001	
								20010330		KMY00SJ501C006610	
								20020122		KMYSE1B2S2K000001	
		6	50700-SE1-0001	BOARD COMP., RH.FLOOR	1	Y		20010227		KMYSE1B4S1K000001	
								20010330		KMY00SJ501C006610	
								20020122		KMYSE1B2S2K000001	
		7	50800-SE1-0001	BOARD COMP., LH.FLOOR	1	Y		20010227		KMYSE1B4S1K000001	
								20010330		KMY00SJ501C006610	
								20020122		KMYSE1B2S2K000001	

F-13

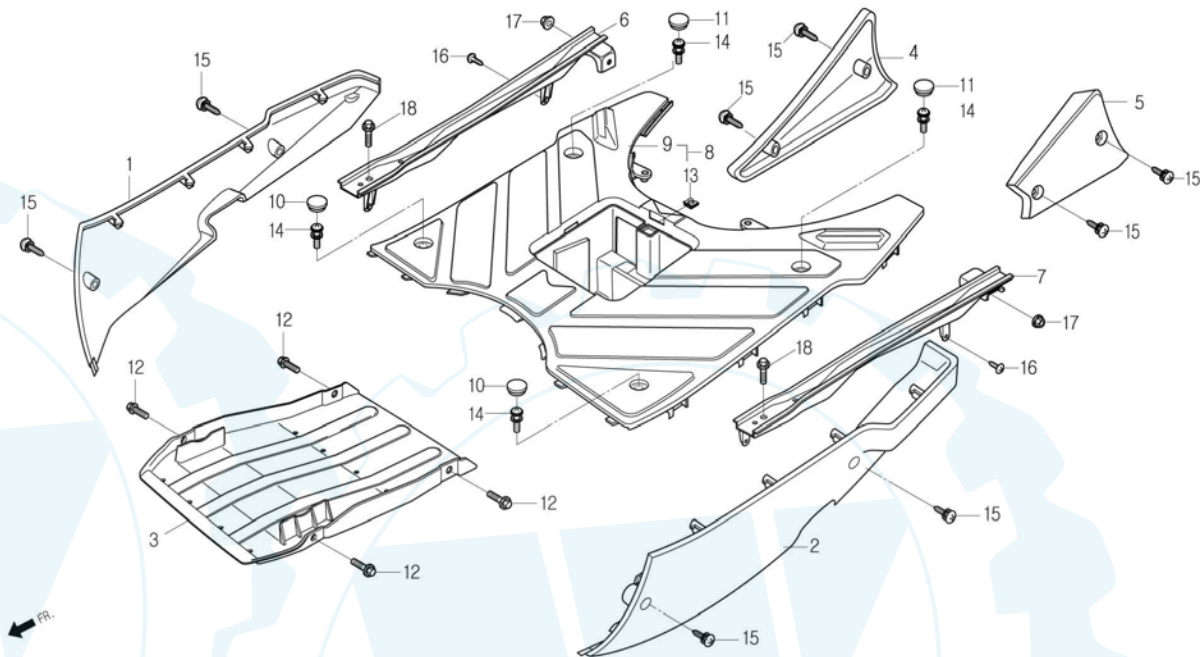
FLOOR PANEL



Service item	FRT	Ref. No.	Part No.	Description	QTY	A/S	Exch	Start Date	End Date	Start FRM.No	End FRM.No
		8	6431A-SE1-RB00	PANEL ASS'Y, FLOOR	1	Y		20010227 20010330 20020122		KMYSE1B4S1K000001 KMY00SJ501C006610 KMYSE1B2S2K000001	
		9	64310-SE1-RB00	PANEL, FLOOR	1	Y		20010227 20010330 20020122		KMYSE1B4S1K000001 KMY00SJ501C006610 KMYSE1B2S2K000001	
		10	64311-SE1-RB00	CAP A, FLOOR PANEL	2	Y		20010227 20010330 20020122		KMYSE1B4S1K000001 KMY00SJ501C006610 KMYSE1B2S2K000001	
		11	64312-SE1-RB00	CAP B, FLOOR PANEL	2	Y		20010227 20010330 20020122		KMYSE1B4S1K000001 KMY00SJ501C006610 KMYSE1B2S2K000001	
		12	90115-SE5-5000	SCREW, UPPER COVER SETTING 5x18	4	Y		20010227 20010330 20020122		KMYSE1B4S1K000001 KMY00SJ501C006610 KMYSE1B2S2K000001	
		13	90305-SE5-1001	NUT, CLIP 6mm	1	Y		20010227 20010330 20020122		KMYSE1B4S1K000001 KMY00SJ501C006610 KMYSE1B2S2K000001	
		14	S3404-06035-08	BOLT, WASHER 6x35	4	Y	N	20010227	20010301	KMYSE1B4S1K000001	KMYSE1B4S1K000035
			S3404-06035-07	BOLT, WASHER 6x35	4	Y		20010302 20010330 20020122		KMYSE1B4S1K000036 KMY00SJ501C006610 KMYSE1B2S2K000001	

F-13

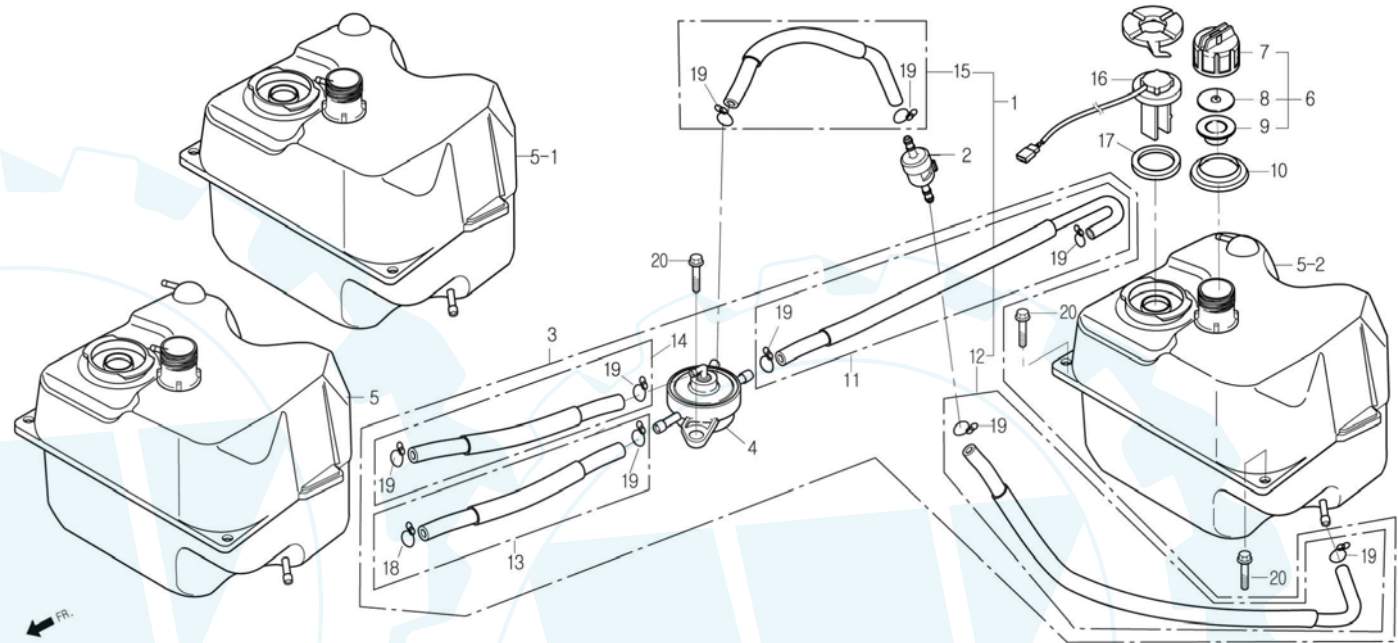
FLOOR PANEL



Service item	FRT	Ref. No.	Part No.	Description	QTY	A/S	Exch	Start Date	End Date	Start FRM.No	End FRM.No
		15	S3891-05014-08	SCREW, WASHER 5x14	8	Y		20010227 20010330 20020122		KMYSE1B4S1K000001 KMY00SJ501C006610 KMYSE1B2S2K000001	
		16	S3903-34320	SCREW, TAPPING 4x12	2	Y		20010227 20010330 20020122		KMYSE1B4S1K000001 KMY00SJ501C006610 KMYSE1B2S2K000001	
		17	S4050-08080	NUT, FLANGE 8mm	2	Y		20010227 20010330 20020122		KMYSE1B4S1K000001 KMY00SJ501C006610 KMYSE1B2S2K000001	
		18	S5701-06010-08	BOLT, FLANGE 6x10	2	Y		20010227 20010330 20020122		KMYSE1B4S1K000001 KMY00SJ501C006610 KMYSE1B2S2K000001	

F-14

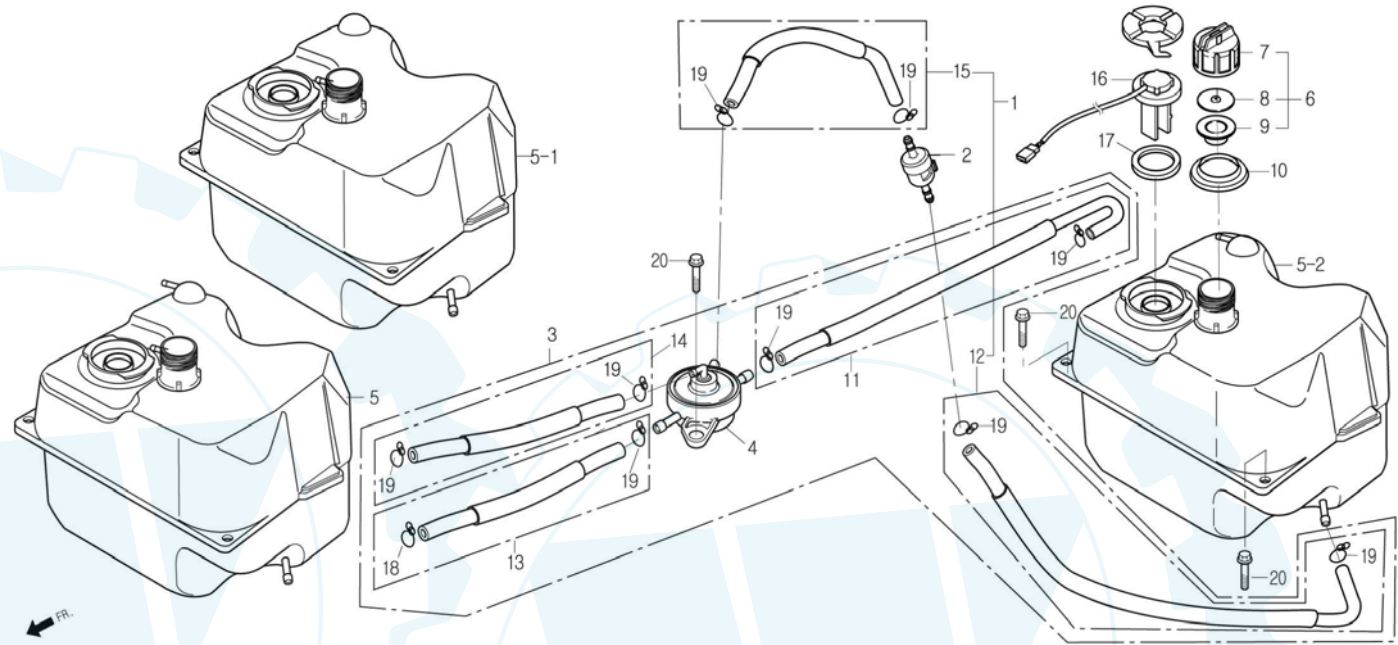
FUEL TANK



Service item	FRT	Ref. No.	Part No.	Description	QTY	A/S	Exch	Start Date	End Date	Start FRM.No	End FRM.No
STRAINER COMP., FUEL	0.2	1	1691A-SE1-0000	STRAINER ASS'Y, FUEL	1	Y		20010227 20010330		KMYSE1B4S1K000001 KMY00SJ501C006610	
COCK ASS'Y, FUEL AUTO	0.5							20020122		KMYSE1B2S2K000001	
FUEL TANK COMP., FUEL		2	16910-CB2-9110-M1	STRAINER COMP., FUEL	1	Y		20010227 20010330		KMYSE1B4S1K000001 KMY00SJ501C006610	
FUEL TANK UNIT, FUEL								20020122		KMYSE1B2S2K000001	
		3	1695A-SE1-0000	COCK SET, FUEL(AUTO)	1	N	N	20010227 20010330	20011028	KMYSE1B4S1K000001 KMY00SJ501C006610	KMYSE1B4S2K004233 KMY00SJ502C015181
			1695A-SE1-0010	COCK SET, FUEL(AUTO)	1	Y	N	20011029		KMYSE1B4S2K004234	
								20011029 20020414		KMY00SJ502C015182 KMYSE1B2S2K000001	KMY00SJ502C015441
			1695A-SE1-0030	COCK SET, FUEL	1	N	N	20020415 20020415	20020624	KMYSE1B4S2K005231 KMY00SJ502C015442	KMYSE1B4S2K005853 KMY00SJ502C015733
			1695A-SE1-0030-M3	COCK SET, FUEL	1	Y		20020625 20020625	20020701	KMYSE1B4S2K005854 KMY00SJ502C015734	KMYSE1B4S2K005853
			1695A-SE1-RZ00	COCK SET, FUEL(Euro2)	1	Y		20030718		KMYSE1B4S3K011156	
		4	16950-SA1-0130	COCK ASS'Y, FUEL	1	N	N	20010227 20010330	20011028	KMYSE1B4S1K000001 KMY00SJ501C006610	KMYSE1B4S2K004233 KMY00SJ502C015181
			16950-SA1-0140	COCK ASS'Y, FUEL	1	Y	N	20011029		KMYSE1B4S2K004234	
								20011029 20020414		KMY00SJ502C015182 KMYSE1B2S2K000001	KMY00SJ502C015441
			16950-SA1-0100	COCK ASS'Y, FUEL	1	Y	N	20020415 20020415	20020624	KMYSE1B4S2K005231 KMY00SJ502C015442	KMYSE1B4S2K005853 KMY00SJ502C015733

F-14

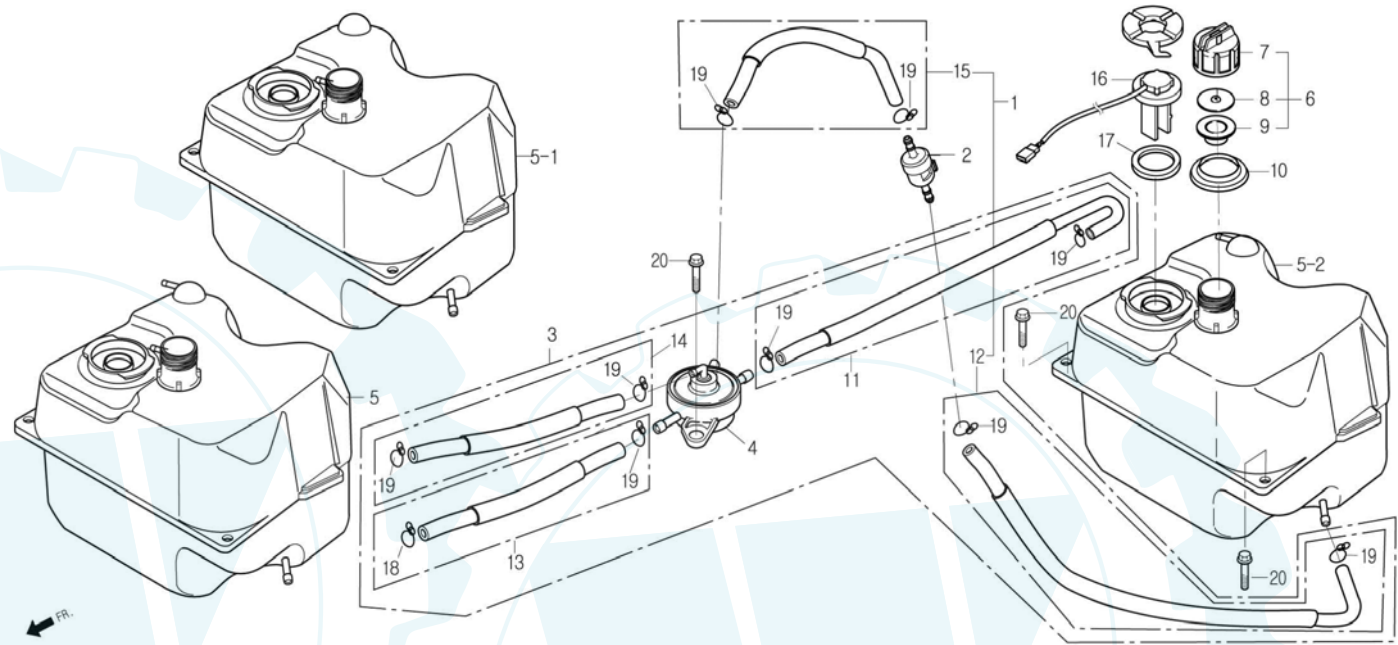
FUEL TANK



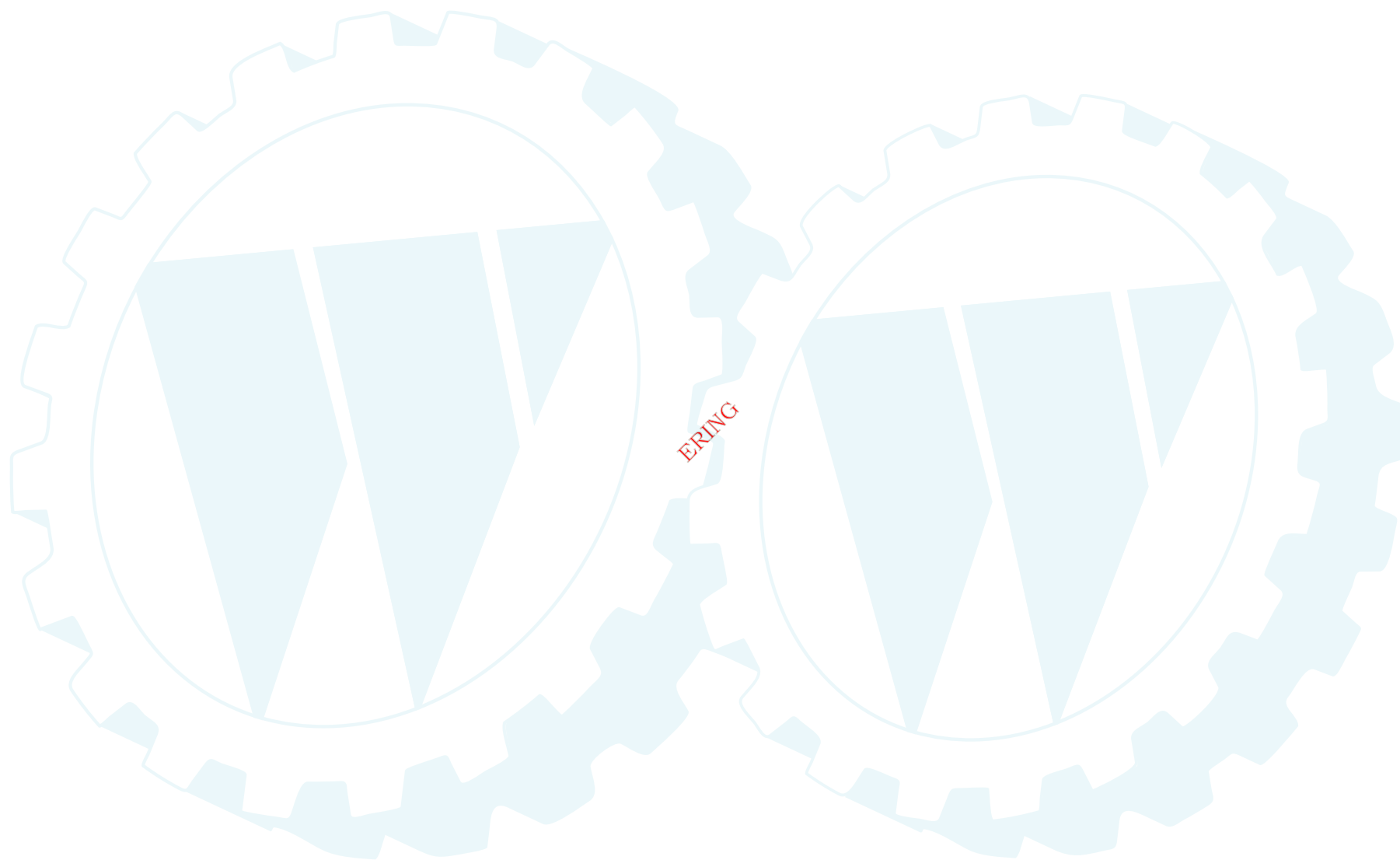
Service item	FRT	Ref. No.	Part No.	Description	QTY	A/S	Exch	Start Date	End Date	Start FRM.No	End FRM.No
			16950-SE1-0100-M3	COCK ASSY, FUEL	1	Y		20020625 20020625	20020701	KMYSE1B4S2K005854 KMY00SJ502C015734	KMYSE1B4S2K005853
		5	17510-SE1-0000	TANK COMP., FUEL	1	Y	N	20010227 20010330	20011028 20011028	KMYSE1B4S1K000001 KMY00SJ501C006610	KMYSE1B4S2K004233 KMY00SJ502C015181
		5-1	17510-SE1-0010	TANK COMP., FUEL	1	Y	N	20011029 20011029 20020414 20020122	20021231 20021231	KMYSE1B4S2K004234 KMY00SJ502C015182 KMYSE1B2S2K000001	KMYSE1B4S3K008131 KMY00SJ502C015441 KMYSE1B2S000001
		5-2	17510-SE1-0030	TANK COMP., FUEL	1	Y		20020415 20020415 20030101		KMYSE1B4S2K005231 KMY00SJ502C015442 KMYSE1B2S3K000092	
		6	17620-SA1-0000	CAP ASSY, FUEL	1	Y		20010227 20010330 20020122		KMYSE1B4S1K000001 KMY00SJ501C006610 KMYSE1B2S2K000001	
		7	17621-SA1-0000	BODY, FUEL CAP	1	N		20010227 20010330		KMYSE1B4S1K000001 KMY00SJ501C006610	
		8	17622-SA1-0000	PLATE, FUEL CAP	1	N		20010227 20010330 20020122		KMYSE1B4S1K000001 KMY00SJ501C006610 KMYSE1B2S2K000001	
		9	17623-SA1-0000	PACKING, FUEL CAP	1	N		20010227 20010330 20020122		KMYSE1B4S1K000001 KMY00SJ501C006610 KMYSE1B2S2K000001	

F-14

FUEL TANK

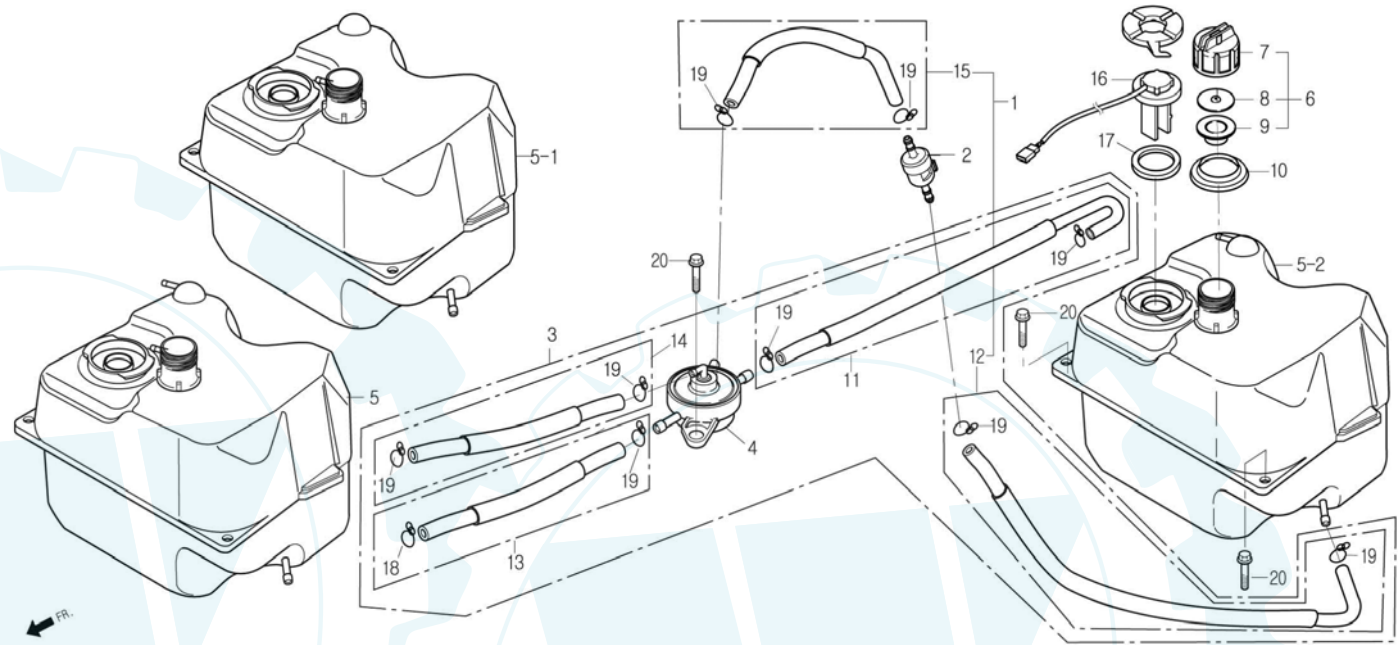


Service item	FRT	Ref. No.	Part No.	Description	QTY	A/S	Exch	Start Date	End Date	Start FRM.No	End FRM.No
		10	17630-SA1-0000	RUBBER, FUEL GUIDE	1	Y		20010227 20010330 20020122		KMYSE1B4S1K000001 KMY00SJ501C006610 KMYSE1B2S2K000001	
		11	17681-SE1-0000	TUBE A, FUEL 5.3x490	1	Y	N	20010227 20010330	20011028 20011028	KMYSE1B4S1K000001 KMY00SJ501C006610	KMYSE1B4S2K004233 KMY00SJ502C015181
			17681-SA1-0101	TUBE, PLUSE	1	Y		20020415 20020501		KMY00SJ502C015442 KMYSE1B4S2K005231	
		12	17682-SE1-0000	TUBE B, FUEL 5.3x50	1	Y		20010227 20010330 20020122		KMYSE1B4S1K000001 KMY00SJ501C006610 KMYSE1B2S2K000001	
		13	17683-SE1-0001	TUBE, FUEL 4.5x185	1	Y		20010227 20010330 20020122		KMYSE1B4S1K000001 KMY00SJ501C006610 KMYSE1B2S2K000001	
			17683-SE1-RZ00	TUBE, FUEL 4.5x250(Euro2)	1	Y		20030718		KMYSE1B4S3K011156	
		14	17684-SE1-0001	TUBE, FUEL 4.5x220	1	Y		20010227 20010330 20020122		KMYSE1B4S1K000001 KMY00SJ501C006610 KMYSE1B2S2K000001	
		15	17685-SE1-0000	TUBE, FUEL 5.3x105	1	Y		20010227 20010330 20020122		KMYSE1B4S1K000001 KMY00SJ501C006610 KMYSE1B2S2K000001	



F-14

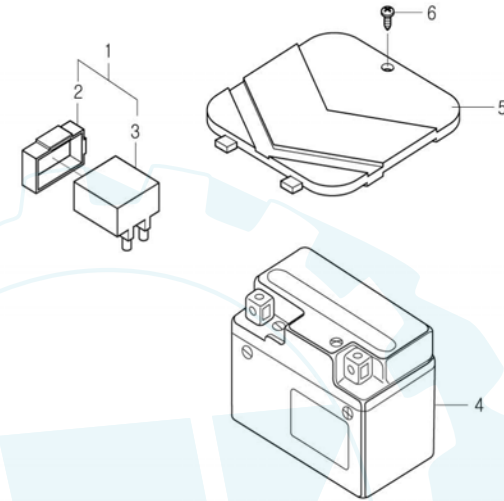
FUEL TANK



Service item	FRT	Ref. No.	Part No.	Description	QTY	A/S	Exch	Start Date	End Date	Start FRM.No	End FRM.No
			37800-SE1-0000-M3	UNIT ASS'Y, FUEL	1	Y		20010330	20030818	KMY00SJ501C006610	KMY00SJ50000001
		17	37801-SE5-7001	PACKING, BASE	1	Y		20020122	20030818	KMYSE1B2S2K000001	KMYSE1B2S000001
		18	S5002-02080	CLIP, TUBE B8	1	N		20030819		KMYSE1B4S3K011454	
		19	S5002-02100	CLIP, TUBE B10	9	N		20030819		KMY00SJ503C016557	
		20	S5701-06016-08	BOLT, FLANGE 6x16	3	Y		20030819		KMYSE1B2S3K000092	
								20010227		KMYSE1B4S1K000001	
								20010330		KMY00SJ501C006610	
								20020122		KMYSE1B2S2K000001	
								20010227		KMYSE1B4S1K000001	
								20010330		KMY00SJ501C006610	
								20020122		KMYSE1B2S2K000001	
								20010227		KMYSE1B4S1K000001	
								20010330		KMY00SJ501C006610	
								20020122		KMYSE1B2S2K000001	

F-15

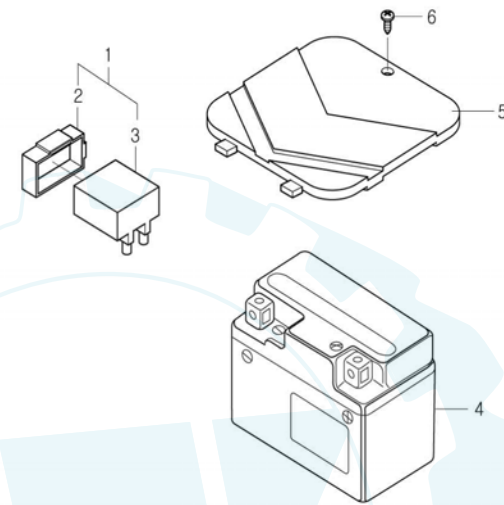
BATTERY



Service item	FRT	Ref. No.	Part No.	Description	QTY	A/S	Exch	Start Date	End Date	Start FRM.No	End FRM.No
UNIT COMP., CDI	0.4	1	30400-SE1-0000	UNIT ASS'Y, CDI	1	Y	N	20010227	20020116	KMYSE1B4S1K000001	KMYSE1B4S2K004354
BATT.	0.2		30400-SE1-RB02	UNIT ASS'Y, CDI	1	Y		20010330	20020116	KMY00SJ501C006610	KMY00SJ502C015338
			30400-SE1-0010	UNIT ASS'Y, CDI	1	Y		20011023		KMYSE1B4S2K003694	
			30400-SE1-RZ00	UNIT ASS'Y, CDI(EURO2)	1	Y		20020122		KMYSE1B2S2K000001	
		2	30403-HS1-8900	SUSPENSION, CDI UNIT	1	Y	N	20020117	20020701	KMYSE1B4S2K004355	KMYSE1B4S2K005853
			30401-BA6-0000	CUSHION, CDI UNIT	1	Y		20020117		KMY00SJ502C015339	
			30410-SE5-9001	UNIT COMP., CDI	1	N	N	20030718		KMYSE1B4S3K011156	
			30410-SE1-RB02	UNIT COMP., CDI	1	N		20010227	20020116	KMYSE1B4S1K000001	KMYSE1B4S2K004354
			30410-SE1-0000	UNIT COMP., CDI	1	N		20010330	20020116	KMY00SJ501C006610	KMY00SJ502C015338
			30410-SE1-RZ00	UNIT COMP., CDI(EURO2)	1	N		20011023		KMYSE1B4S2K003694	
		4	31500-SE5-9011	BATTERY ASS'Y, YT41-BS(12V 3A)	1	N	Y	20020122	20020117	KMYSE1B2S2K000001	
	31500-SC1-9500-M2	BATTERY ASS'Y, GTH4L-BS(12V 3A)	1	Y		20020117	20020701	KMYSE1B4S2K004355	KMYSE1B4S2K005853		
							20020117		KMY00SJ502C015339		
							20030718		KMYSE1B4S3K011156		
							20010227	20011031	KMYSE1B4S1K000001	KMYSE1B4S2K004295	
							20010330	20011031	KMY00SJ501C006610	KMY00SJ502C015181	
							20011101		KMYSE1B4S2K004296		
							20011101		KMY00SJ502C015182		

F-15

BATTERY

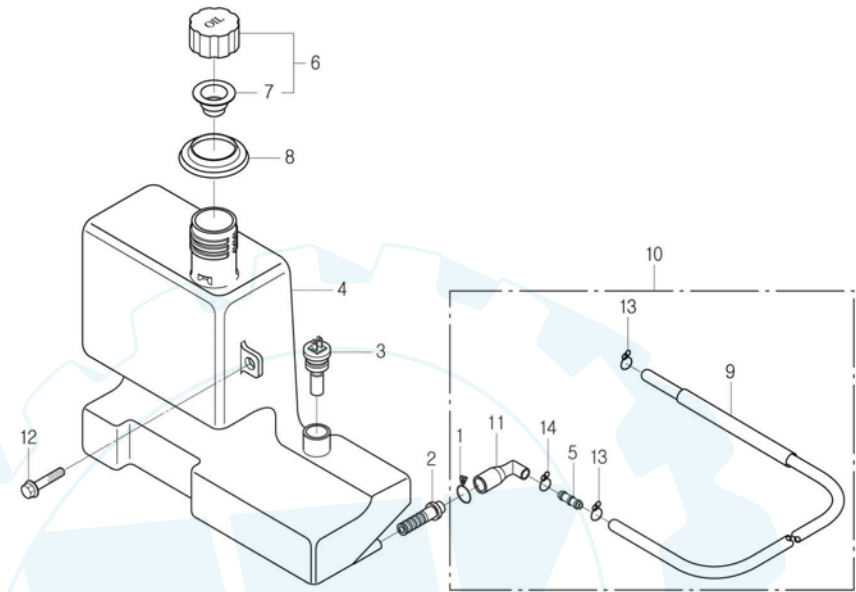


ERWING

Service item	FRT	Ref. No.	Part No.	Description	QTY	A/S	Exch	Start Date	End Date	Start FRM.No	End FRM.No
		5	50326-SE1-RB00	COVER, BATTERY	1	Y		20020122 20010227 20010330 20020122		KMYSE1B2S2K000001 KMYSE1B4S1K000001 KMY00SJ501C006610 KMYSE1B2S2K000001	
		6	90001-SE1-0000	SCREW, TORUS 6x25	1	Y		20010227 20010330 20020122		KMYSE1B4S1K000001 KMY00SJ501C006610 KMYSE1B2S2K000001	

F-16

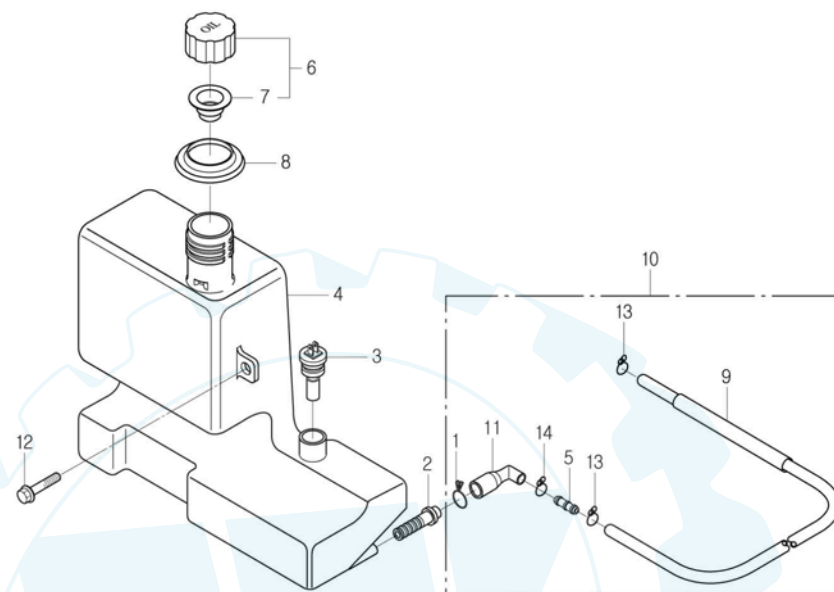
OIL TANK



Service item	FRT	Ref. No.	Part No.	Description	QTY	A/S	Exch	Start Date	End Date	Start FRM.No	End FRM.No
STARNER, OIL	0.5	1	15772-SC1-9501	CLIP, BREATHER TUBE	1	Y		20010227		KMYSE1B4S1K000001	
SWITCH ASS'Y, OIL LEVEL	0.5							20010330		KMY00SJ501C006610	
TANK, OIL	0.5	2	17502-SE5-0002	STRAINER, OIL	1	Y		20020122		KMYSE1B2S2K000001	
		3	35410-SE5-9000	SWITCH ASS'Y, OIL LEVEL	1	Y		20010227		KMYSE1B4S1K000001	
								20010330		KMY00SJ501C006610	
								20020122		KMYSE1B2S2K000001	
		4	55100-SE1-0002	TANK, OIL	1	Y		20010227		KMYSE1B4S1K000001	
								20010330		KMY00SJ501C006610	
								20020122		KMYSE1B2S2K000001	
		5	55102-BA6-0000	JOINT, OIL TUBE	1	Y		20010227		KMYSE1B4S1K000001	
								20010330		KMY00SJ501C006610	
								20020122		KMYSE1B2S2K000001	
		6	55105-SE1-0000	CAP ASS'Y, OIL	1	Y		20010227		KMYSE1B4S1K000001	
								20010330		KMY00SJ501C006610	
								20020122		KMYSE1B2S2K000001	
		7	55107-SE5-0000	PACKING, OIL CAP	1	N		20010227		KMYSE1B4S1K000001	
								20010330		KMY00SJ501C006610	
								20020122		KMYSE1B2S2K000001	
		8	55121-SE5-6000	RUBBER, OIL GUIDE	1	Y		20010227		KMYSE1B4S1K000001	

F-16

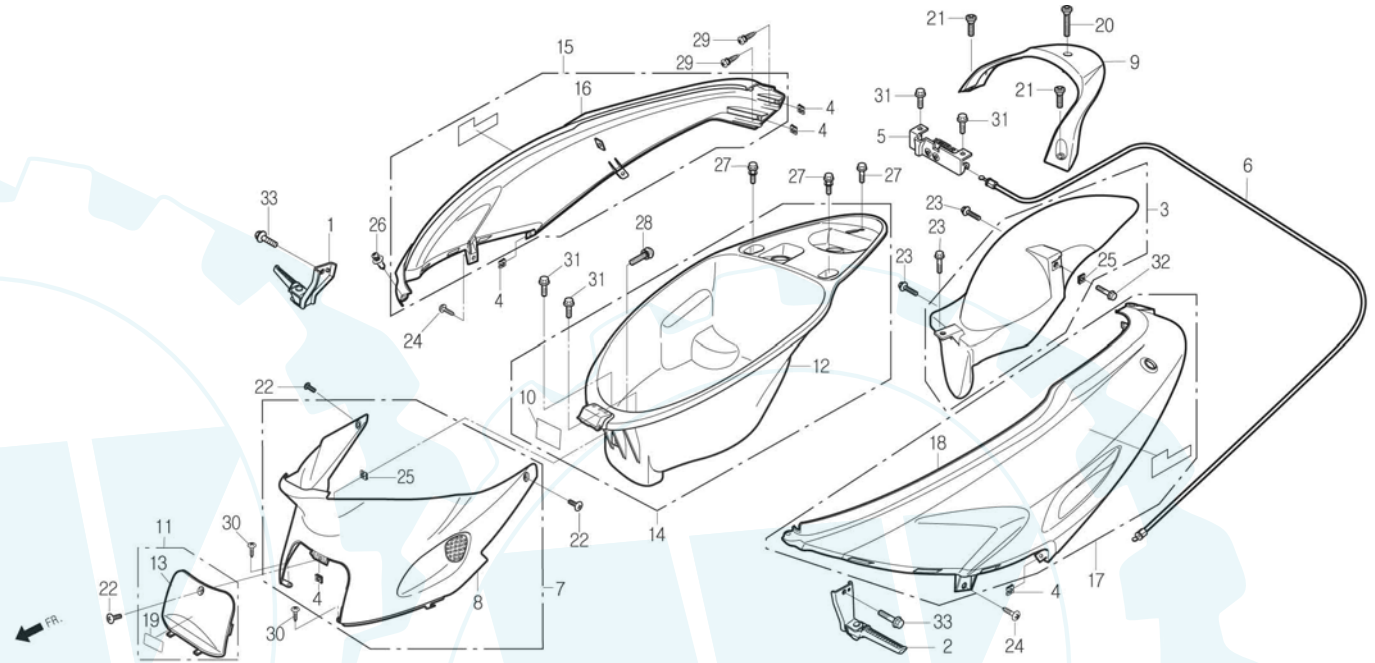
OIL TANK



Service item	FRT	Ref. No.	Part No.	Description	QTY	A/S	Exch	Start Date	End Date	Start FRM.No	End FRM.No
		9	55123-SE1-0001	TUBE, OIL DIAMETER 5.3	1	Y		20010330		KMY00SJ501C006610	
		10	55200-SE1-0001	TUBE ASS'Y, OIL	1	Y		20020122		KMYSE1B2S2K000001	
		11	55201-SE5-0001	JOINT, OIL STRAINER	1	Y		20010227		KMYSE1B4S1K000001	
		12	90111-SE5-1000	BOLT, FLANGE 6mm	1	Y		20010330		KMY00SJ501C006610	
		13	S5002-02100	CLIP, TUBE B10	2	Y		20020122		KMYSE1B2S2K000001	
		14	S5002-50000	CLIP, TUBE C9	1	Y		20010227		KMYSE1B4S1K000001	
								20010330		KMY00SJ501C006610	
								20020122		KMYSE1B2S2K000001	

F-17

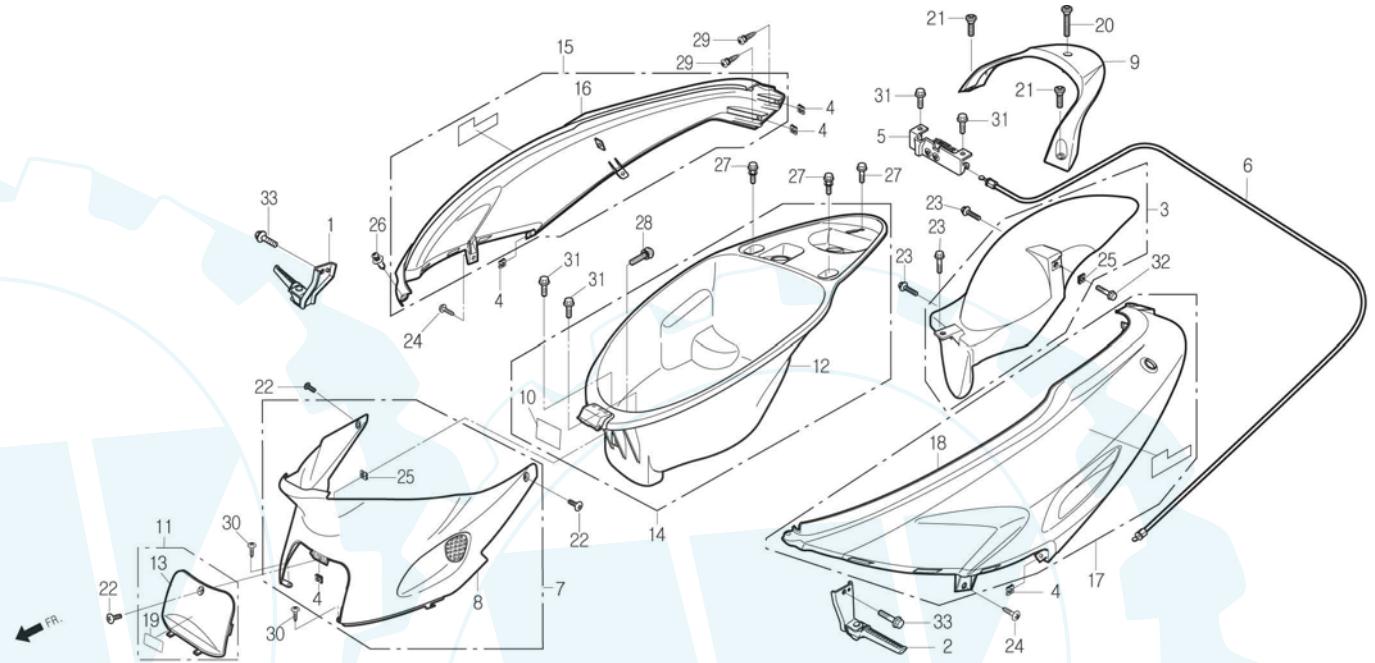
BODY COVER / LUGGAGE BOX



Service item	FRT	Ref. No.	Part No.	Description	QTY	A/S	Exch	Start Date	End Date	Start FRM.No	End FRM.No
CATCH COMP., SEAT CARRIER, RR.	0.5	1	50801-SE1-0000	BAR ASS'Y, RH.PILLION STEP	1	Y		20010227 20010330 20020122		KMYSE1B4S1K000001 KMY00SJ501C006610 KMYSE1B2S2K000001	
COVER, RH.BODY (ADD 0.1 FOR EACH)	0.5	2	50802-SE1-0000	BAR ASS'Y, LH.PILLION STEP	1	Y		20010227 20010330 20020122		KMYSE1B4S1K000001 KMY00SJ501C006610 KMYSE1B2S2K000001	
COVER, CENTER	0.3	3	61120-SE1-0000	MUDGUARD, RR.WHEEL	1	Y	N	20010227 20010330 20020122	20021015 20021015	KMYSE1B4S1K000001 KMY00SJ501C006610 KMYSE1B2S2K000001	KMYSE1B4S3K006708 KMY00SJ502C016165
BOX ASS'Y, LUGGAGE	0.3		61120-SE1-RZ00	MUDGUARD, RR.WHEEL	1	Y		20021016 20021016	20021015	KMYSE1B4S3K006709 KMY00SJ502C016166	KMYSE1B2S3K000090
LID ASS'Y, BATTERY MAINTENANCE	0.1							20021016		KMYSE1B2S3K000091	
BAR ASS'Y, RH.PILLION STEP	0.2	4	64527-BA6-7000	NUT, CLIP 4mm	5	Y		20010227 20010330 20020122		KMYSE1B4S1K000001 KMY00SJ501C006610 KMYSE1B2S2K000001	
BAR ASS'Y, LH.PILLION STEP	0.2	5	77235-SA1-0101	SEAT CATCH COMP.	1	Y		20010227 20010330 20020122		KMYSE1B4S1K000001 KMY00SJ501C006610 KMYSE1B2S2K000001	
		6	77240-SE1-0002	CABLE, SEAT LOCK	1	Y		20010227 20010330 20020122		KMYSE1B4S1K000001 KMY00SJ501C006610 KMYSE1B2S2K000001	
		7	8015A-SE1-RB00	COVER ASS'Y, CENETR	1	Y		20010227		KMYSE1B4S1K000001	

F-17

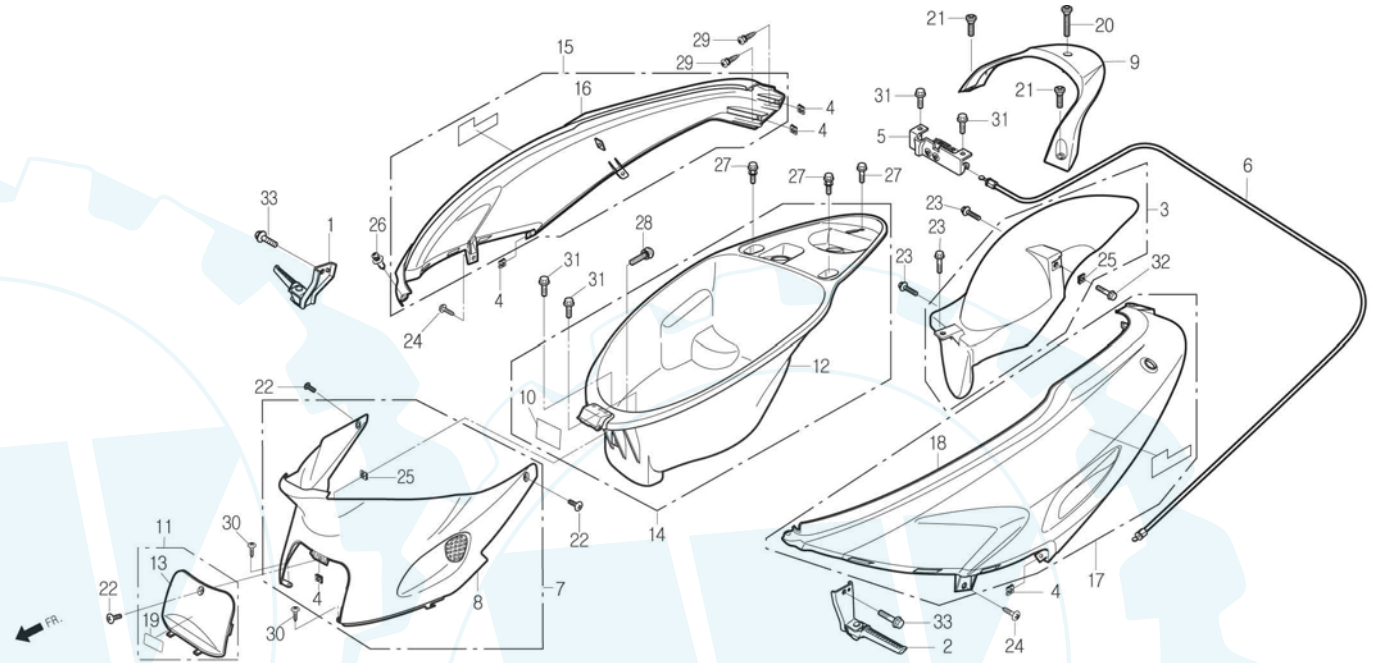
BODY COVER / LUGGAGE BOX



Service item	FRT	Ref. No.	Part No.	Description	QTY	A/S	Exch	Start Date	End Date	Start FRM.No	End FRM.No
		8	80151-SE1-RB00	COVER, CENETR	1	N		20010330 20020122 20010227 20010330		KMY00SJ501C006610 KMYSE1B2S2K000001 KMYSE1B4S1K000001 KMY00SJ501C006610	
		9	81200-SE1-0000	CARRIER, RR.	1	Y		20010227 20010330 20020122		KMYSE1B4S1K000001 KMY00SJ501C006610 KMYSE1B2S2K000001	
		10	81218-SE5-3000-B1	LABEL, LUGGAGE BOX CAUTION(ENGLISH)	1	Y		20010319 20010330 20020122		KMYSE1B4S1K000391 KMY00SJ501C006610 KMYSE1B2S2K000001	
			81218-SA1-RB00	LABEL, LUGGAGE BOX CAUTION(GERMANY)	1	Y		19910101		KMYSE1B4S1K000001	
			81218-SE5-RC00	LABEL, LUGGAGE BOX CAUTION(ITALY)	1	Y		19910101		KMYSE1B4S1K000001	
			81218-SE5-RE00	LABEL, LUGGAGE BOX CAUTION(FRANCE)	1	Y		19910101		KMYSE1B4S1K000001	
			81218-SE5-RJ00	LABEL, LUGGAGE BOX CAUTION(SPAIN)	1	Y		19910101 20020320		KMYSE1B4S1K000001 KMY00SJ502C015343	
		11	8125A-SE1-MA00	COVER ASS'Y, S/P MAINTENANCE(ENGLISH)	1	Y		20010319 20010330 20020122		KMYSE1B4S1K000391 KMY00SJ501C006610 KMYSE1B2S2K000001	
			8125A-SE1-RB00	COVER ASS'Y, S/P MAINTENANCE(GERMANY)	1	Y		19910101		KMYSE1B4S1K000001	
			8125A-SE1-RC00	COVER ASS'Y, S/P MAINTENANCE(ITALY)	1	Y		19910101		KMYSE1B4S1K000001	
			8125A-SE1-RE00	COVER ASS'Y, S/P MAINTENANCE(FRANCE)	1	Y		19910101		KMYSE1B4S1K000001	

F-17

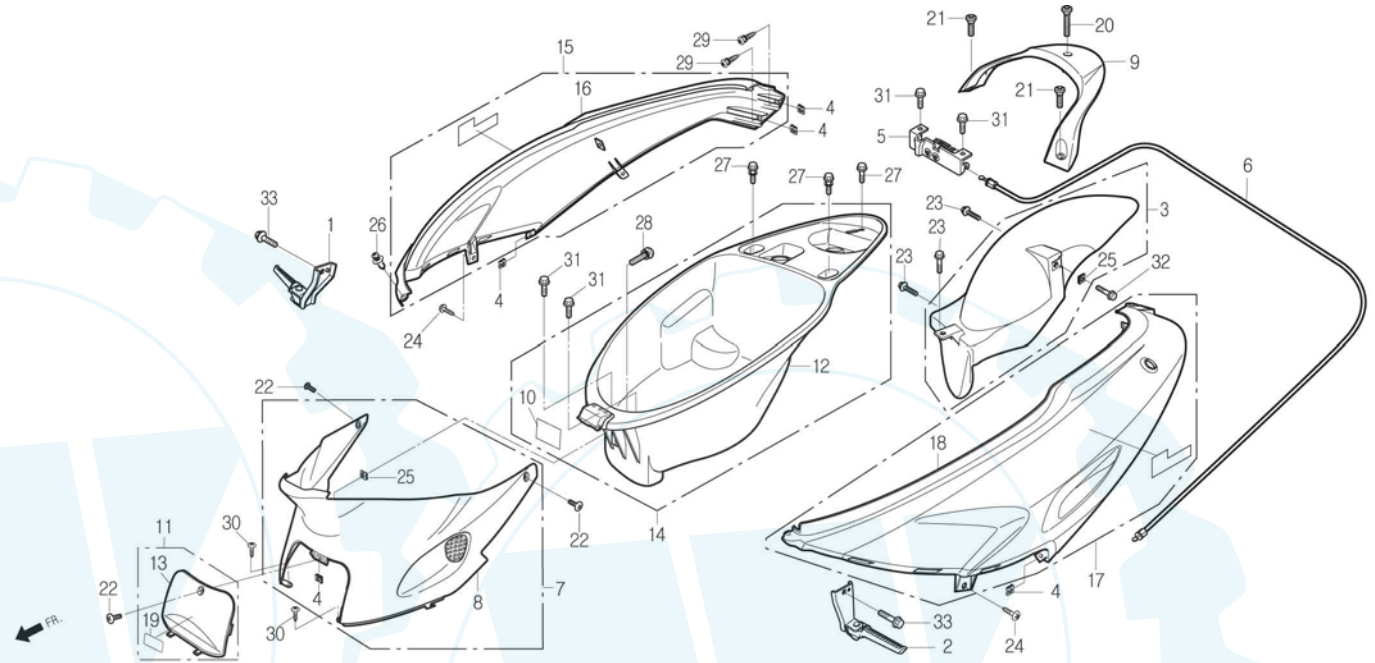
BODY COVER / LUGGAGE BOX



Service item	FRT	Ref. No.	Part No.	Description	QTY	A/S	Exch	Start Date	End Date	Start FRM.No	End FRM.No
			8125A-SE1-RJ00	COVER ASS'Y, S/P MAINTENANCE(SPAIN)	1	Y		19910101		KMYSE1B4S1K000001	
		12	81250-SE1-0001	BOX, LUGGAGE	1	N		20020320		KMY00SJ502C015343	
								20010227		KMYSE1B4S1K000001	
								20010330		KMY00SJ501C006610	
								20020122		KMYSE1B2S2K000001	
		13	81251-SE1-RB00	COVER, SPARK PLUG MAINTENANCE	1	N		20010227		KMYSE1B4S1K000001	
								20010330		KMY00SJ501C006610	
								20020122		KMYSE1B2S2K000001	
		14	81260-SE1-MA01	BOX ASS'Y, LUGGAGE(ENGLISH)	1	Y		20010319		KMYSE1B4S1K000391	
								20010330		KMY00SJ501C006610	
								20020122		KMYSE1B2S2K000001	
			81260-SE1-RB01	BOX ASS'Y, LUGGAGE(GERMANY)	1	Y		19910101		KMYSE1B4S1K000001	
			81260-SE1-RC01	BOX ASS'Y, LUGGAGE(ITALY)	1	Y		19910101		KMYSE1B4S1K000001	
			81260-SE1-RE01	BOX ASS'Y, LUGGAGE(FRANCE)	1	Y		19910101		KMYSE1B4S1K000001	
			81260-SE1-RJ00	BOX ASS'Y, LUGGAGE(SPAIN)	1	Y		19910101		KMYSE1B4S1K000001	
								20020320		KMY00SJ502C015343	
		15	83450-SE1-RB00-BK	SET, RH.BODY COVER(BLACK)	1	Y		19910101		KMYSE1B4S1K000001	
								20010330		KMY00SJ501C006610	
			83450-SE1-RB00-IB	SET, RH.BODY COVER(I/BLUE)	1	Y		20010227		KMYSE1B4S1K000001	
								20010330		KMY00SJ501C006610	
								19910101		KMYSE1B2S2K000001	
			83450-SE1-RB00-SL	SET, RH.BODY COVER(SILVER)	1	Y		19910101		KMYSE1B4S1K000001	
								20010522		KMY00SJ501C009644	

F-17

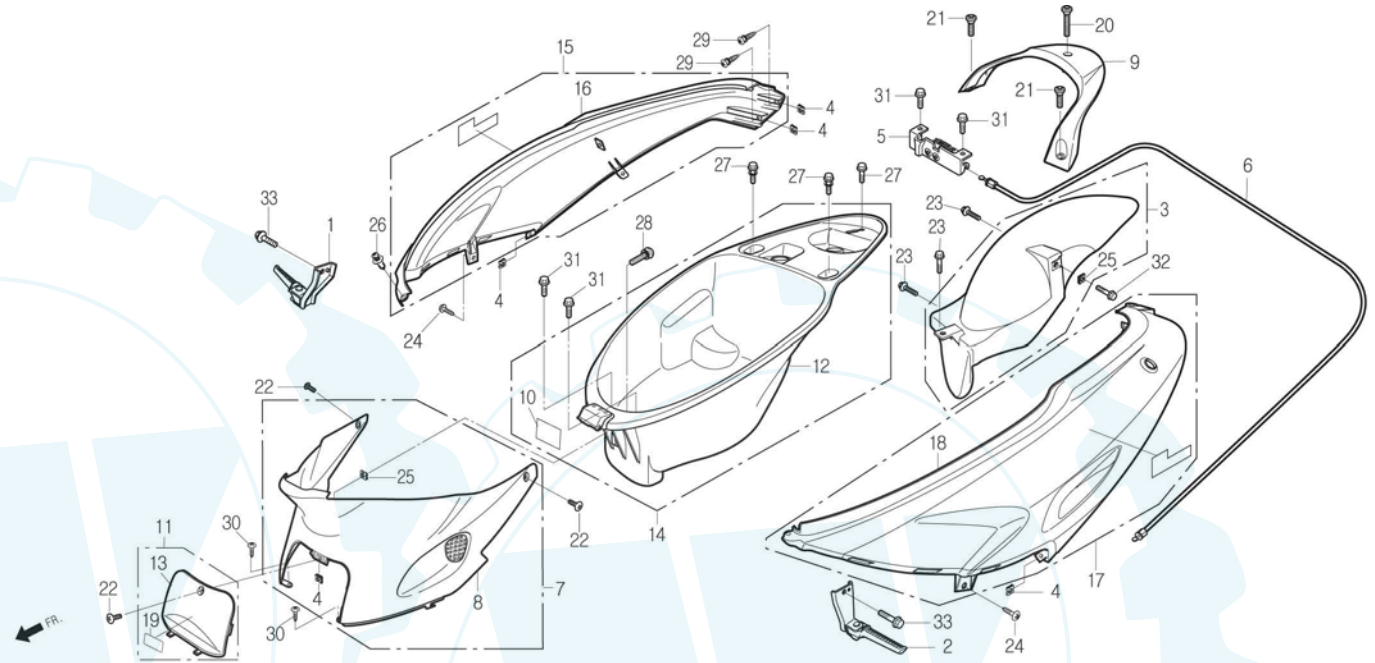
BODY COVER / LUGGAGE BOX



Service item	FRT	Ref. No.	Part No.	Description	QTY	A/S	Exch	Start Date	End Date	Start FRM.No	End FRM.No
			83450-SE1-RB00-UR	SET, RH.BODY COVER(S/RED)	1	Y		20020327		KMYSE1B2S2K000001	
			83450-SE1-RZ00-IB	SET,RH.BODY COVER(I/BLUE)	1	Y		19910101		KMYSE1B4S1K000001	
			83450-SE1-RZ00-SL	SET, RH.BODY COVER(SILVER)	1	Y		20010330		KMY00SJ501C006610	
								20031001		KMYSE1B4S4K011665	
								20020121		KMYSE1B4S2K004360	
								20020327		KMYSE1B2S2K000001	
								19910101		KMY00SJ501C000001	
		16	83500-SE1-0000-BK	COVER, RH.BODY(BLACK)	1	N		19910101		KMYSE1B4S1K000001	
								20010330		KMY00SJ501C006610	
			83500-SE1-0000-IB	COVER, RH.BODY(I/BLUE)	1	N		20010227		KMYSE1B4S1K000001	
								20010330		KMY00SJ501C006610	
								19910101		KMYSE1B2S2K000001	
			83500-SE1-0000-SL	COVER, RH.BODY(SILVER)	1	N		20010227		KMYSE1B4S1K000001	
								20010522		KMY00SJ501C009644	
								19910101		KMYSE1B2S2K000001	
			83500-SE1-0000-UR	COVER, RH.BODY(S/RED)	1	N		19910101		KMYSE1B4S1K000001	
								20010330		KMY00SJ501C006610	
			83500-SE1-0000-WH	COVER, RH.BODY(WHITE)	1	N		20021105		KMYSE1B4S3K006816	
		17	83550-SE1-RB00-BK	COVER SET, LH.BODY(BLACK)	1	Y		19910101		KMYSE1B4S1K000001	
								20010330		KMY00SJ501C006610	
			83550-SE1-RB00-IB	COVER SET, LH.BODY(I/BLUE)	1	Y		20010227		KMYSE1B4S1K000001	
								20010330		KMY00SJ501C006610	

F-17

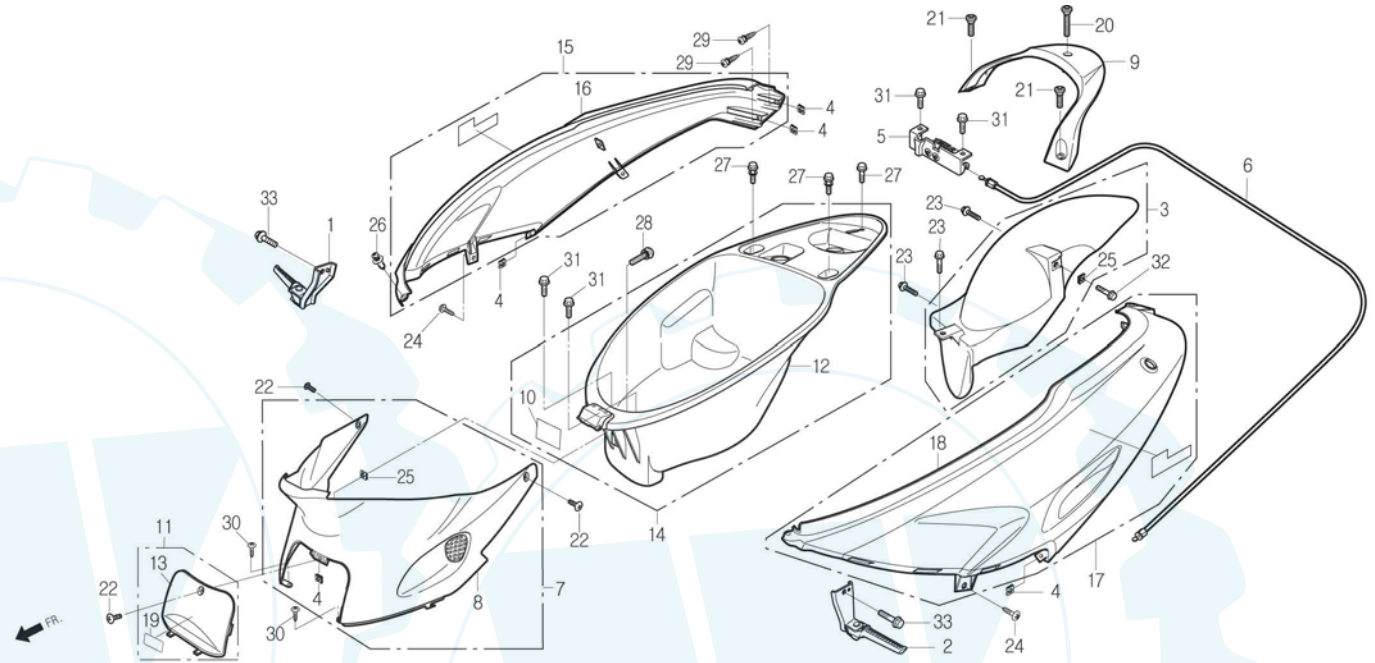
BODY COVER / LUGGAGE BOX



Service item	FRT	Ref. No.	Part No.	Description	QTY	A/S	Exch	Start Date	End Date	Start FRM.No	End FRM.No
			83550-SE1-RB00-SL	COVER SET, LH.BODY(SILVER)	1	N		19910101		KMYSE1B2S2K000001	
			83550-SE1-RB00-UR	COVER SET, LH.BODY(S/RED)	1	Y		19910101		KMYSE1B4S1K000001	
			83550-SE1-RZ00-IB	SET,LH.BODY COVER(I/BLUE)	1	Y		20010522		KMY00SJ501C009644	
			83550-SE1-RZ00-SL	COVER SET, LH.BODY(SILVER)	1	Y		20020327		KMYSE1B2S2K000001	
18			83600-SE1-0000-BK	COVER, LH.BODY(BLACK)	1	N		19910101		KMY00SJ501C006610	
			83600-SE1-0000-IB	COVER, LH.BODY(I/BLUE)	1	N		19910101		KMYSE1B4S4K011665	
			83600-SE1-0000-SL	COVER, LH.BODY(SILVER)	1	N		20020121		KMYSE1B4S2K004360	
			83600-SE1-0000-UR	COVER, LH.BODY(S/RED)	1	N		20020327		KMYSE1B2S2K000001	
			83600-SE1-0000-WH	COVER, LH.BODY(WHITE)	1	N		19910101		KMY00SJ501C000001	
19			87505-SE1-MA00	LABEL, TIRE(ENGLISH)	1	N		19910101		KMYSE1B4S1K000001	
								20010330		KMY00SJ501C006610	

F-17

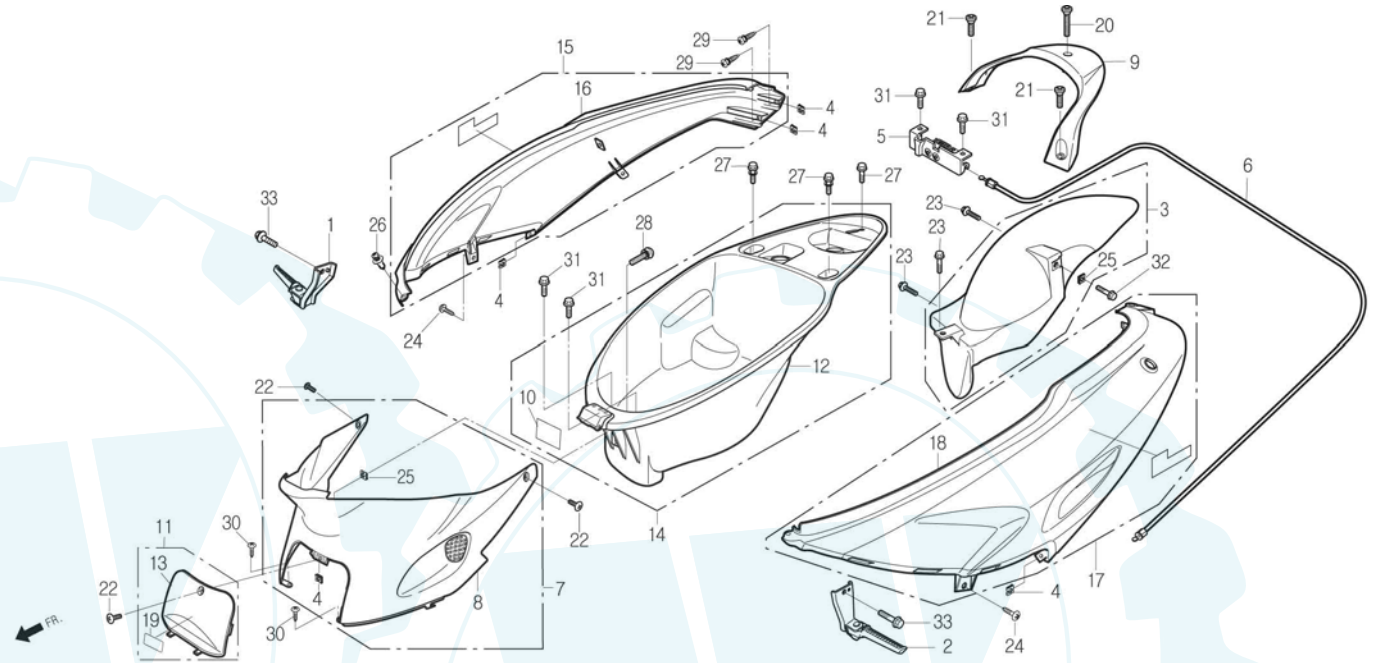
BODY COVER / LUGGAGE BOX



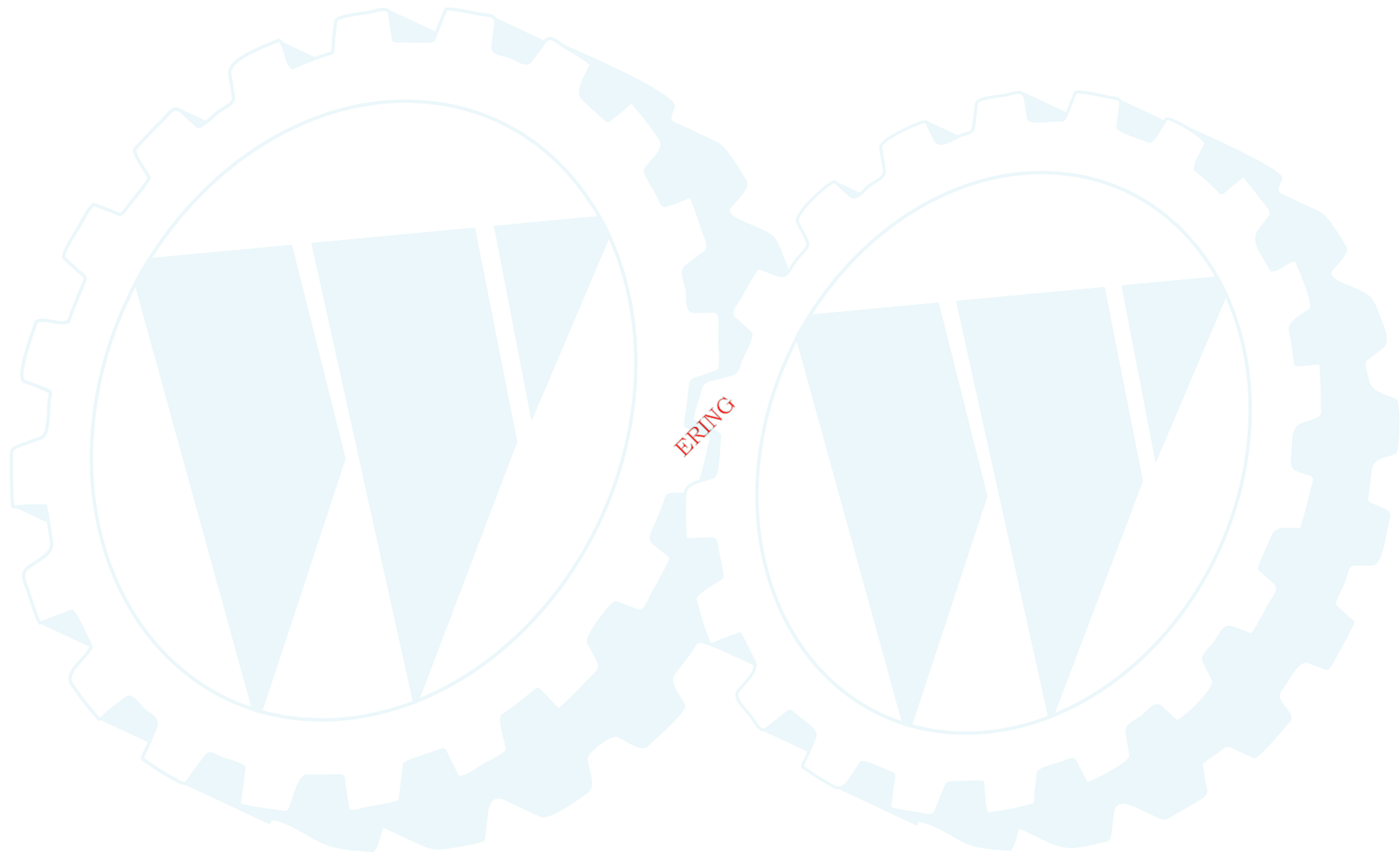
Service item	FRT	Ref. No.	Part No.	Description	QTY	A/S	Exch	Start Date	End Date	Start FRM.No	End FRM.No
			87505-SE1-RB00	LABEL, TIRE(GERMANY)	1	N		20020122		KMYSE1B2S2K000001	
			87505-SE1-RC00	LABEL, TIRE(ITALY)	1	N		19910101		KMYSE1B4S1K000001	
			87505-SE1-RE00	LABEL, TIRE(FRANCE)	1	N		19910101		KMYSE1B4S1K000001	
			87505-SE1-RJ00	LABEL, TIRE(SPAIN)	1	N		19910101		KMYSE1B4S1K000001	
		20	90105-SE1-0000	BOLT, SPECIAL 8x49	1	Y		20020320		KMY00SJ502C015343	
								20010227		KMYSE1B4S1K000001	
								20010330		KMY00SJ501C006610	
								20020122		KMYSE1B2S2K000001	
		21	90106-SE1-0000	BOLT, SPECIAL 8x24	2	Y		20010227		KMYSE1B4S1K000001	
								20010330		KMY00SJ501C006610	
								20020122		KMYSE1B2S2K000001	
		22	90111-SA1-1000	SCREW, SPECIAL 4x14	2	Y	N	20010227	20010410	KMYSE1B4S1K000001	KMYSE1B4S1K000520
								20010330	20010410	KMY00SJ501C006610	KMY00SJ501C007782
			90111-SA1-0000	SCREW, SPECIAL 4x14	3	Y		20010411		KMYSE1B4S1K000522	
								20010411		KMY00SJ501C007783	
								20020122		KMYSE1B2S2K000001	
		23	90111-SE5-1000	BOLT, FLANGE 6mm	3	Y		20010227		KMYSE1B4S1K000001	
								20010330		KMY00SJ501C006610	
								20020122		KMYSE1B2S2K000001	
		24	90192-SB1-0000	SCREW, SPECIAL 5x12	2	Y		20010227		KMYSE1B4S1K000001	
								20010330		KMY00SJ501C006610	
								20020122		KMYSE1B2S2K000001	

F-17

BODY COVER / LUGGAGE BOX

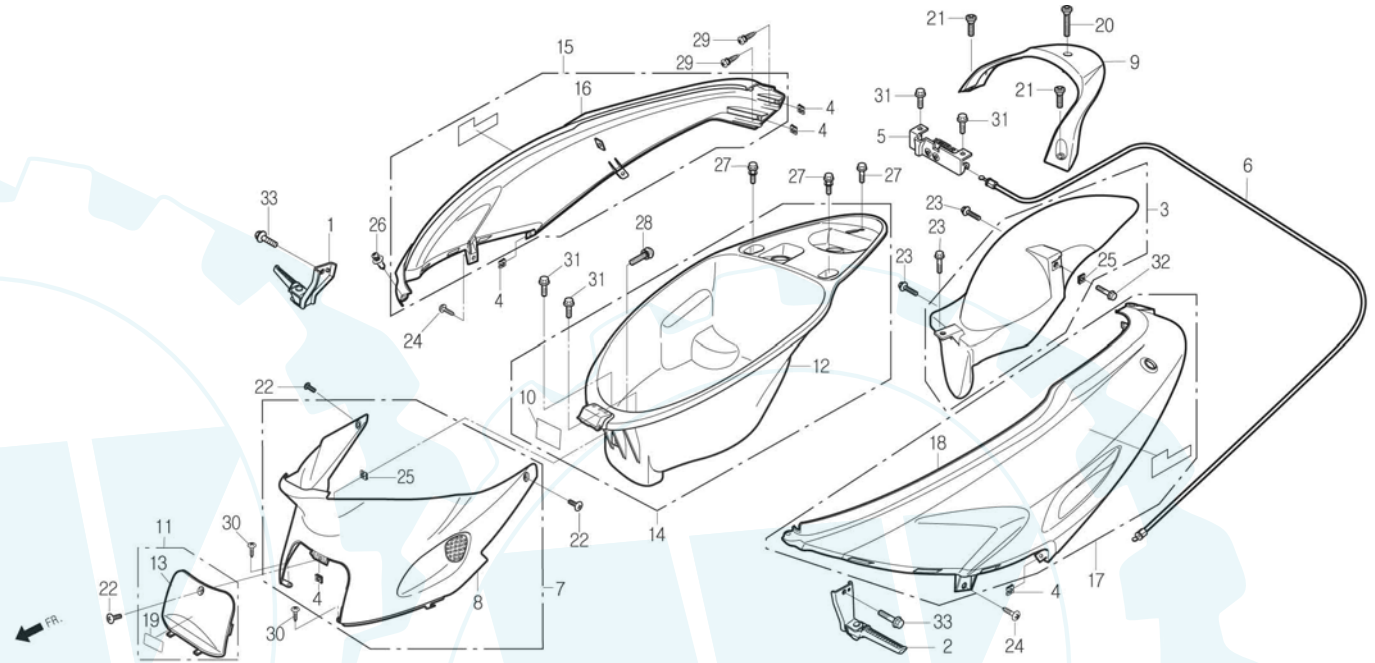


Service item	FRT	Ref. No.	Part No.	Description	QTY	A/S	Exch	Start Date	End Date	Start FRM.No	End FRM.No
		25	90305-SE5-1001	NUT, CLIP 6mm	2	Y		20010227 20010330 20020122		KMYSE1B4S1K000001 KMY00SJ501C006610 KMYSE1B2S2K000001	
		26	90683-SE5-0030	CLIP, BODY COVER	1	Y		20010227 20010330 20020122		KMYSE1B4S1K000001 KMY00SJ501C006610 KMYSE1B2S2K000001	
		27	S3404-06016-08	BOLT, WASHER 6x16	3	Y		20010227 20010330 20020122		KMYSE1B4S1K000001 KMY00SJ501C006610 KMYSE1B2S2K000001	
		28	S3404-06020-08	BOLT, WASHER 6x20	1	Y		20010227 20010330 20020122		KMYSE1B4S1K000001 KMY00SJ501C006610 KMYSE1B2S2K000001	
		29	S3894-04012-07	SCREW, WASHER 4x12	2	Y		20010227 20010330 20020122		KMYSE1B4S1K000001 KMY00SJ501C006610 KMYSE1B2S2K000001	
		30	S3903-34420	SCREW, TAPPING 4x16	2	Y		20010227 20010330 20020122		KMYSE1B4S1K000001 KMY00SJ501C006610 KMYSE1B2S2K000001	
		31	S5701-06012-08	BOLT, FLANGE 6x12	4	Y		20010227 20010330		KMYSE1B4S1K000001 KMY00SJ501C006610	



F-17

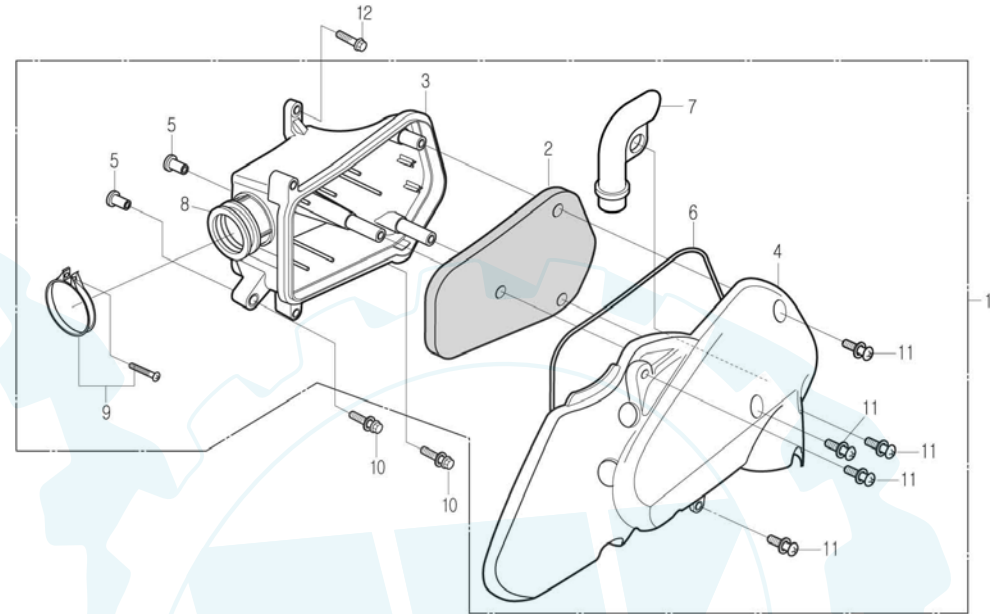
BODY COVER / LUGGAGE BOX



Service item	FRT	Ref. No.	Part No.	Description	QTY	A/S	Exch	Start Date	End Date	Start FRM.No	End FRM.No
		32	S5701-06020-08	BOLT, FLANGE 6x20	1	Y		20010227		KMYSE1B4S1K000001	
								20010330		KMY00SJ501C006610	
								20020122		KMYSE1B2S2K000001	
		33	S5701-08016-08	BOLT, FLANGE 8x16	2	Y		20010227		KMYSE1B4S1K000001	
								20010330		KMY00SJ501C006610	
								20020122		KMYSE1B2S2K000001	

F-18

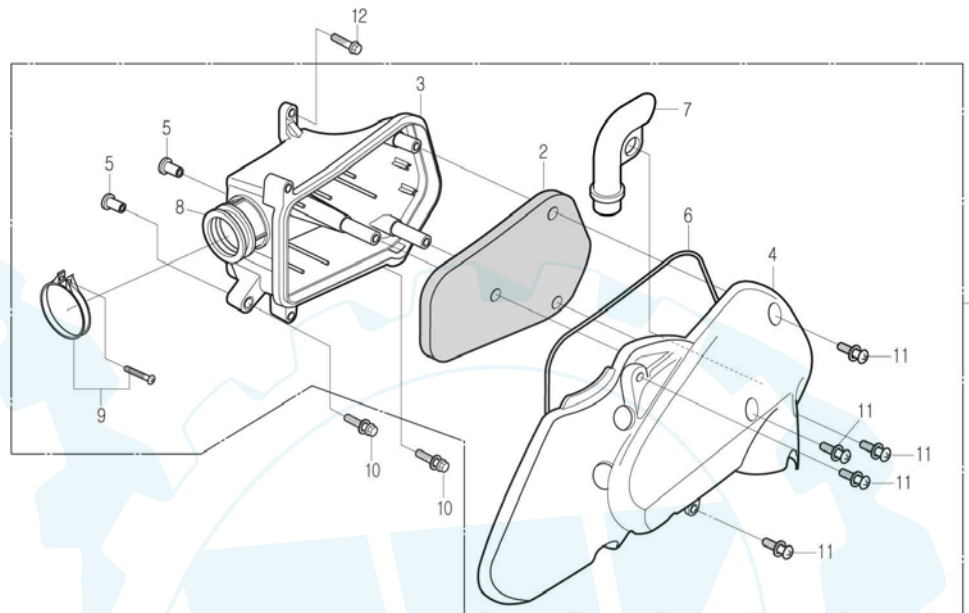
AIR CLEANER



Service item	FRT	Ref. No.	Part No.	Description	QTY	A/S	Exch	Start Date	End Date	Start FRM.No	End FRM.No
ELEMENT, AIR CLEANER	0.3	1	17200-SE1-0001	AIR CLEANER ASS'Y	1	Y		20010227		KMYSE1B4S1K000001	
CASE COMP., AIR CLEANER	0.4							20010330		KMY00SJ501C006610	
COVER, AIR CLEANER	0.1		17200-SE1-RZ00	AIR CLEANER ASS'Y(EURO2)	1	Y		20020122		KMYSE1B2S2K000001	
CLEANER ASS'Y, AIR	0.4	2	17205-SE1-0001	ELEMENT, AIR CLEANER	1	Y		20030718		KMYSE1B4S3K011156	
								20010227		KMYSE1B4S1K000001	
		3	17206-SE1-0000	CASE COMP., AIR CLEANER	1	Y		20010330		KMY00SJ501C006610	
								20020122		KMYSE1B2S2K000001	
			17206-SE1-RZ00	CASE COMP., AIR CLEANER(EURO2)	1	Y		20010227		KMYSE1B4S1K000001	
		4	17207-SE1-0001	COVER, AIR CLEANER	1	Y		20010330		KMY00SJ501C006610	
								20020122		KMYSE1B2S2K000001	
		5	17208-SE5-0102	COLLAR, AIR CLEANER SETTING	2	Y		20010227		KMYSE1B4S1K000001	
								20010330		KMY00SJ501C006610	
								20020122		KMYSE1B2S2K000001	
		6	17212-SE1-0000	SEAL, AIR CLEANER	1	Y		20010227		KMYSE1B4S1K000001	
								20010330		KMY00SJ501C006610	
								20020122		KMYSE1B2S2K000001	
		7	17215-SE6-9800-H1	DUCT, AIR CLEANER	1	N		20010227		KMYSE1B4S1K000001	
								20010330		KMY00SJ501C006610	

F-18

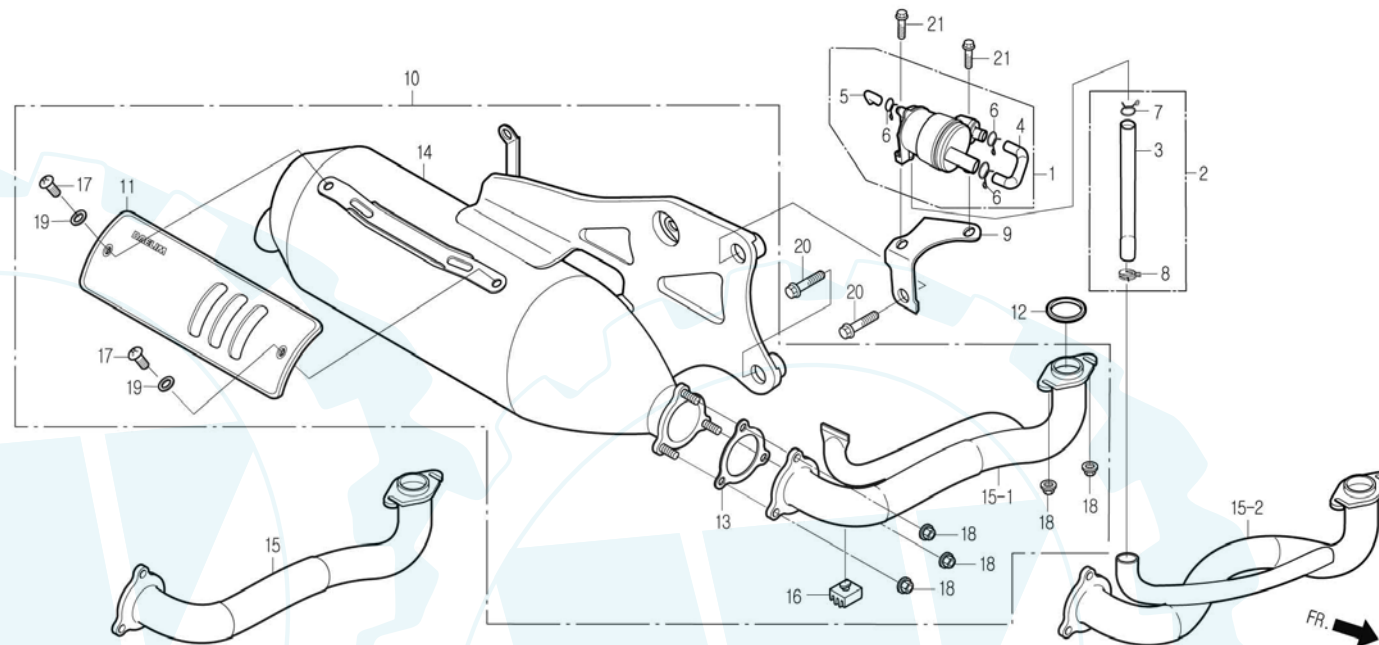
AIR CLEANER



Service item	FRT	Ref. No.	Part No.	Description	QTY	A/S	Exch	Start Date	End Date	Start FRM.No	End FRM.No
		8	17253-SE1-0100	TUBE, AIR CLEANER CONNECTING	1	Y		20020122		KMYSE1B2S2K000001	
			17253-SE1-RZ00	TUBE, AIR CLEANER CONNECTING (EURO2)	1	Y		20010227		KMYSE1B4S1K000001	
		9	90652-BA6-6402	BAND 42, AIR CLEANER CONNECTING TUBE	1	Y		20010330		KMY00SJ501C006610	
								20020122		KMYSE1B2S2K000001	
		10	S3404-06028-08	BOLT, WASHER 6x28	2	Y		20030718		KMYSE1B4S3K011156	
								20010227		KMYSE1B4S1K000001	
								20010330		KMY00SJ501C006610	
								20020122		KMYSE1B2S2K000001	
		11	S3891-05012-07	SCREW, WASHER 5x12	5	Y		20010227		KMYSE1B4S1K000001	
								20010330		KMY00SJ501C006610	
								20020122		KMYSE1B2S2K000001	
		12	S6001-06028-00	BOLT, FLANGE SH.6x28	1	Y		20010227		KMYSE1B4S1K000001	
								20010330		KMY00SJ501C006610	
								20020122		KMYSE1B2S2K000001	

F-19

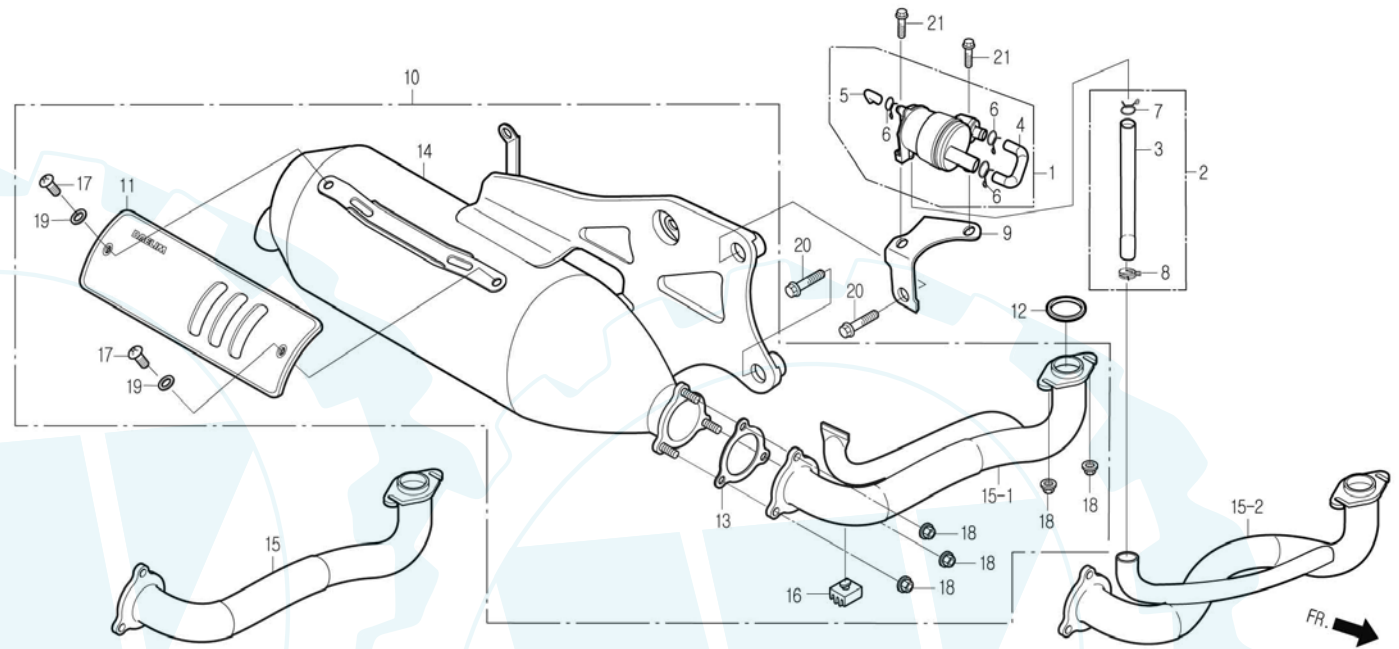
EXHAUST MUFFLER



Service item	FRT	Ref. No.	Part No.	Description	QTY	A/S	Exch	Start Date	End Date	Start FRM.No	End FRM.No
GSAKET, EX.PIPE	0.3	1	17300-SE1-RZ00	AIR FILTER ASS'Y, SECONDARY(EURO2)	1	Y		20030718		KMYSE1B4S3K011156	
		2	17330-SE1-RZ00	TUBE A ASS'Y, A.I.A.C(EURO2)	1	Y		20030718		KMYSE1B4S3K011156	
MUFFLER COMP., EX.	0.5	3	17331-SE1-RZ00	TUBE A, A.I.A.C(EURO2)	1	N		20030718		KMYSE1B4S3K011156	
		4	17332-SE1-RZ00	TUBE B, A.I.A.C(EURO2)	1	N		20030718		KMYSE1B4S3K011156	
PROTECTOR, MUFFLER	0.1	5	17333-SE1-RZ00	TUBE C, A.I.A.C(EURO2)	1	N		20030718		KMYSE1B4S3K011156	
		6	17391-SE1-RZ00	CLIP A, AIR HOSE(EURO2)	3	N		20030718		KMYSE1B4S3K011156	
		7	17392-SE1-RZ00	CLIP B, AIR HOSE(EURO2)	1	N		20030718		KMYSE1B4S3K011156	
		8	17393-SE1-RZ00	CLIP C, AIR HOSE(EURO2)	1	N		20030718		KMYSE1B4S3K011156	
		9	17395-SE1-RZ00	BRACKET, A.I.A.C(EURO2)	1	Y		20030718		KMYSE1B4S3K011156	
		10	18200-SE1-RB00	MUFFLER ASS'Y, EX.	1	Y	N	20010227	20010410	KMYSE1B4S1K000001	KMYSE1B4S1K000520
			18200-SE1-RJ00	MUFFLER ASS'Y, EX.	1	Y	N	20010411	20030219	KMYSE1B4S1K000522	KMYSE1B4S3K008666
								20020122	20030219	KMYSE1B2S2K000001	KMYSE1B2S000001
			18200-SE1-RJ10	MUFFLER ASS'Y, EX.	1	Y	N	20030220		KMYSE1B4S3K008667	
								20030220		KMYSE1B2S3K000092	
			18200-SE1-0000	MUFFLER ASS'Y, EX.	1	Y	N	20010319	20020725	KMYSE1B4S1K000391	KMYSE1B4S2K006158
								20010330	20020725	KMY00SJ501C006610	KMY00SJ502C016033
			18200-SE1-0000-W1	MUFFLER ASS'Y, EX.	1	Y	N	20010726	20020501	KMYSE1B4S1K002824	KMYSE1B4S2K005230
								20010726	20020501	KMY00SJ501C012074	KMY00SJ502C015443
			18200-SE3-0000	MUFFLER ASS'Y, EX.	1	Y	N	20020502	20020701	KMYSE1B4S2K005231	KMYSE1B4S2K005853
								20020502	20020704	KMY00SJ502C015444	KMY00SJ502C015733
			18200-SE1-0010	MUFFLER ASS'Y, EX.	1	Y	N	20020705	20030219	KMY00SJ502C015734	KMY00SJ503C016535
			18200-SE1-0020	MUFFLER ASS'Y, EX.	1	Y		20030220		KMY00SJ503C016536	

F-19

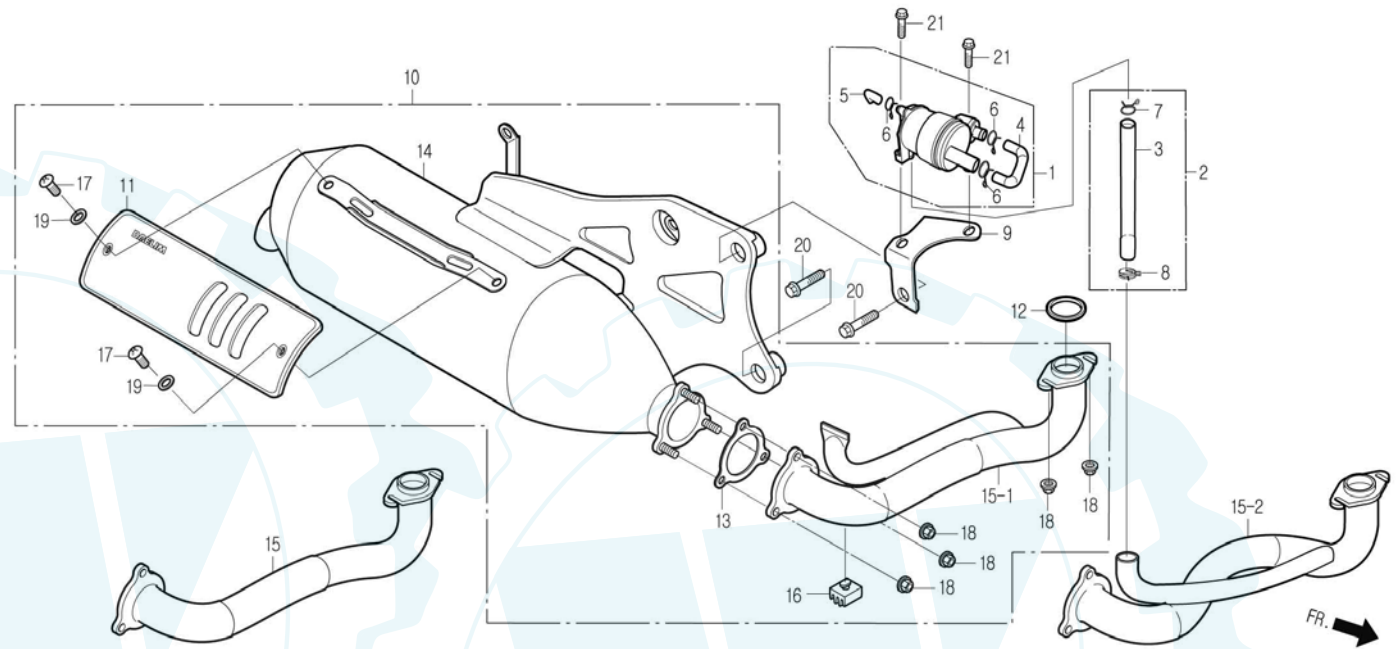
EXHAUST MUFFLER



Service item	FRT	Ref. No.	Part No.	Description	QTY	A/S	Exch	Start Date	End Date	Start FRM.No	End FRM.No
			18200-SE1-RZ00	MUFFLER ASS'Y, EX.(EURO2)	1	Y		20030718		KMYSE1B4S3K011156	
		11	18240-SE1-0000	PROTECTOR, MUFFLER	1	Y	N	20010227 20010330	20010725 20010725	KMYSE1B4S1K000001 KMY00SJ501C006610	KMYSE1B4S1K002823 KMY00SJ501C012073
			18240-SB1-1000	PROTECTOR, MUFFLER	1	Y		20010411 20010726 20020122		KMYSE1B4S1K000522 KMY00SJ501C012074 KMYSE1B2S2K000001	
		12	18291-SE5-5000-EU	GASKET, EX.PIPE	1	Y		20010227 20020122		KMYSE1B4S1K000001 KMYSE1B2S2K000001	
			18291-SC1-0001	GASKET, EX.PIPE	1	Y		20010319 20010330	20020701	KMYSE1B4S1K000391 KMY00SJ501C006610	KMYSE1B4S2K005853
			18291-CB2-0104	GASKET, EX.PIPE	1	Y		20020320		KMY00SJ502C015343	
		13	18292-SE1-0100	GASKET, EX.PIPE FLANGE	1	Y		20010227 20010330 20020122		KMYSE1B4S1K000001 KMY00SJ501C006610 KMYSE1B2S2K000001	
		14	18310-SE1-RB00	MUFFLER COMP.	1	Y	N	20010227	20010410	KMYSE1B4S1K000001	KMYSE1B4S1K000520
			18310-SE1-RJ00	MUFFLER COMP.	1	Y		20010411 20020122		KMYSE1B4S1K000522 KMYSE1B2S2K000001	
			18310-SE1-0000	MUFFLER COMP.	1	N	N	20010319 20010330	20010725 20010725	KMYSE1B4S1K000391 KMY00SJ501C006610	KMYSE1B4S1K002823 KMY00SJ501C012073
			18310-SE1-0000-W1	MUFFLER COMP.	1	N	N	20010726 20010726	20020502 20020502	KMYSE1B4S1K002824 KMY00SJ501C012074	KMYSE1B4S2K005230 KMY00SJ502C015443
			18310-SE3-0000	MUFFLER COMP.	1	N	N	20020502	20020701	KMYSE1B4S2K005231	KMYSE1B4S2K005853

F-19

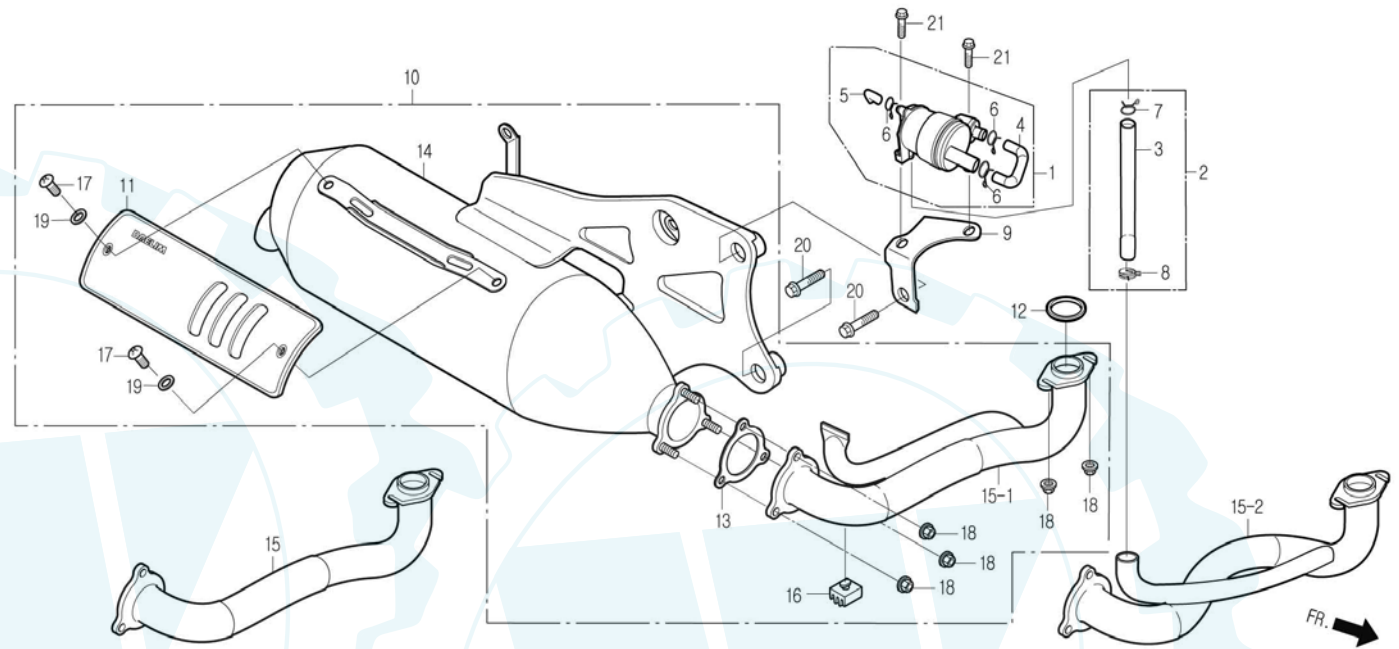
EXHAUST MUFFLER



Service item	FRT	Ref. No.	Part No.	Description	QTY	A/S	Exch	Start Date	End Date	Start FRM.No	End FRM.No
			18310-SE1-0012	MUFFLER COMP.	1	Y		20020502	20020704	KMY00SJ502C015444	KMY00SJ502C015733
			18310-SE1-RZ00	MUFFLER COMP.(EURO2)	1	Y		20020705		KMY00SJ502C015734	
		15	18320-SE1-0100	PIPE COMP., EX.	1	Y	N	20030718		KMYSE1B4S3K011156	
			18320-SE1-0110	PIPE COMP., EX.	1	Y		20010319	20020701	KMYSE1B4S1K000391	KMYSE1B4S2K005853
		15-1	18320-SE1-RB10	PIPE COMP., EX.	1	Y	N	20010330	20030219	KMY00SJ501C006610	KMY00SJ503C016535
			18320-SE1-RB20	PIPE COMP., EX.	1	Y	N	20030220		KMY00SJ503C016536	
			18320-SE1-RJ00	PIPE COMP., EX.	1	Y		20010227	20010410	KMYSE1B4S1K000001	KMYSE1B4S1K000520
		15-2	18320-SE1-RZ00	PIPE COMP., EX.(EURO2)	1	Y		20010411	20030219	KMYSE1B4S1K000522	KMYSE1B4S3K008666
								20020122	20030219	KMYSE1B2S2K000001	KMYSE1B2S000001
								20030220		KMYSE1B4S3K008667	
								20030220		KMYSE1B2S3K000092	
		16	50505-SE5-0001	RUBBER, STAND STOPPER	1	N	N	20030718		KMYSE1B4S3K011156	
								20010227	30030219	KMYSE1B4S1K000001	KMYSE1B4S000001
								20010330	30030219	KMY00SJ501C006610	KMY00SJ50000001
								20020122	20030219	KMYSE1B2S2K000001	KMYSE1B2S000001
			50505-SE1-0000	STOPPER RUBBER, MAIN STAND	1	Y		20030220		KMYSE1B4S3K008667	
								20030220		KMY00SJ503C016536	
								20030220		KMYSE1B2S3K000092	
		17	90011-SE1-0000	SCREW, SPECIAL 5x8	2	Y		20010227		KMYSE1B4S1K000001	
								20010330		KMY00SJ501C006610	
								20020122		KMYSE1B2S2K000001	
		18	S4050-06080	NUT, FLANGE 6mm	5	Y		20010227		KMYSE1B4S1K000001	

F-19

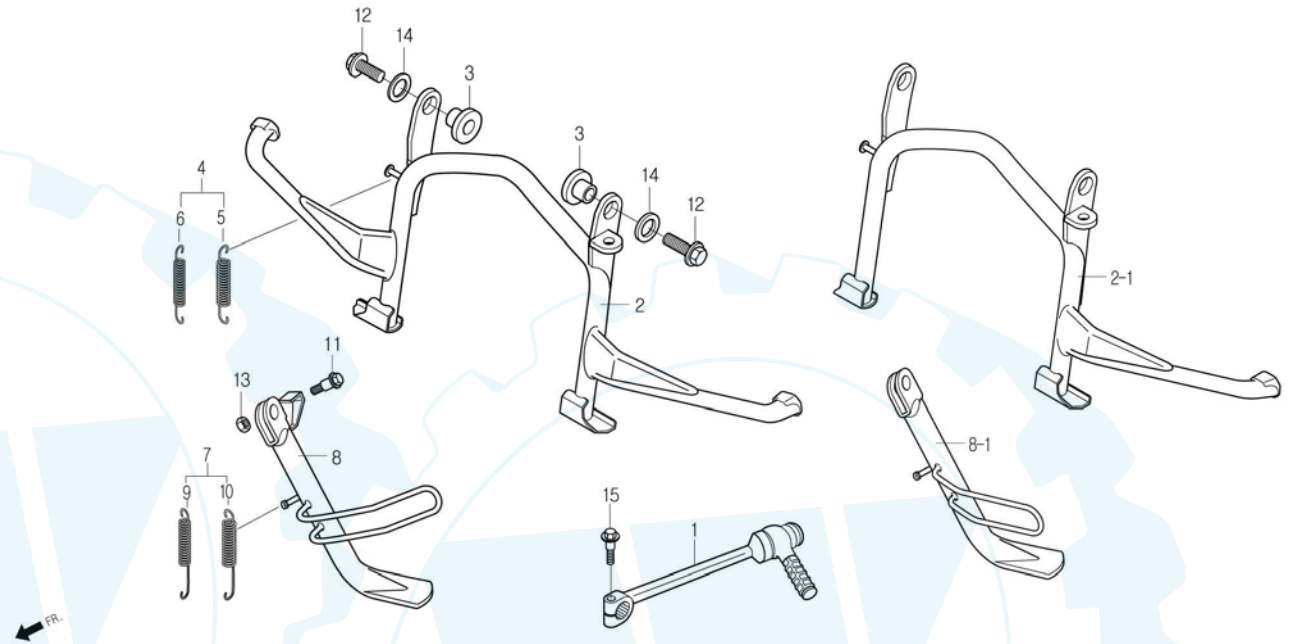
EXHAUST MUFFLER



Service item	FRT	Ref. No.	Part No.	Description	QTY	A/S	Exch	Start Date	End Date	Start FRM.No	End FRM.No
		19	S4101-05000	WASHER, PLAIN 5mm	2	Y		20010330 20020122 20010227 20010330		KMY00SJ501C006610 KMYSE1B2S2K000001 KMYSE1B4S1K000001 KMY00SJ501C006610	
		20	S5701-08035-08	BOLT, FLANGE 8x35	2	Y		20020122 20010227 20010330 20020122		KMYSE1B2S2K000001 KMYSE1B4S1K000001 KMY00SJ501C006610 KMYSE1B2S2K000001	
		21	S6001-06020-00	BOLT, FLANGE SH.6x20(EURO2)	2	Y		20030718		KMYSE1B4S3K011156	

F-20

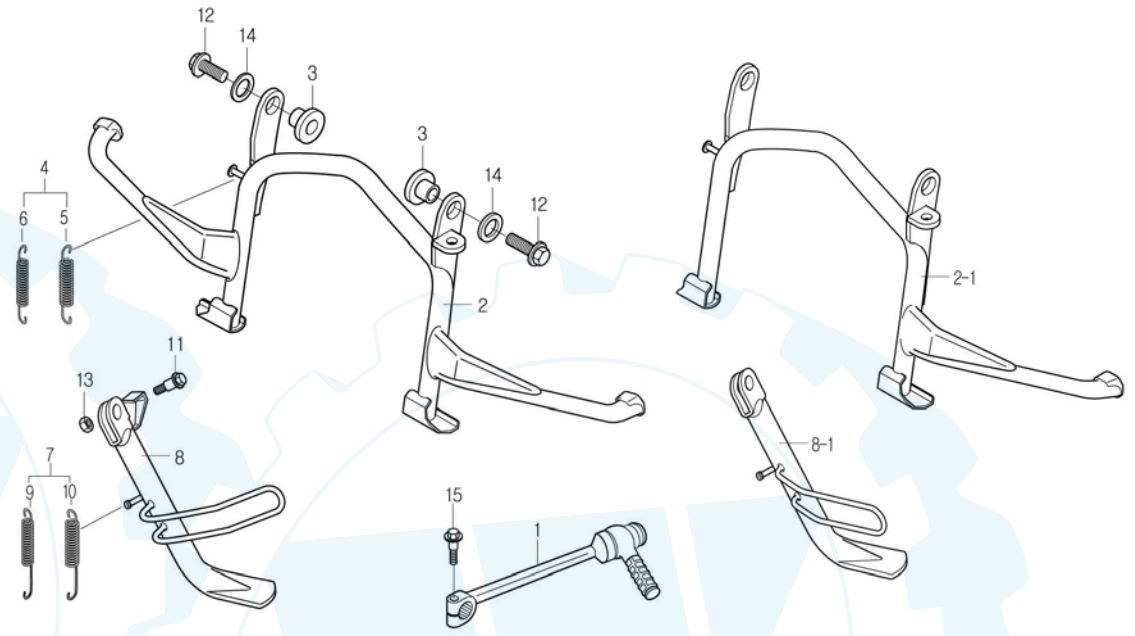
MAIN STAND



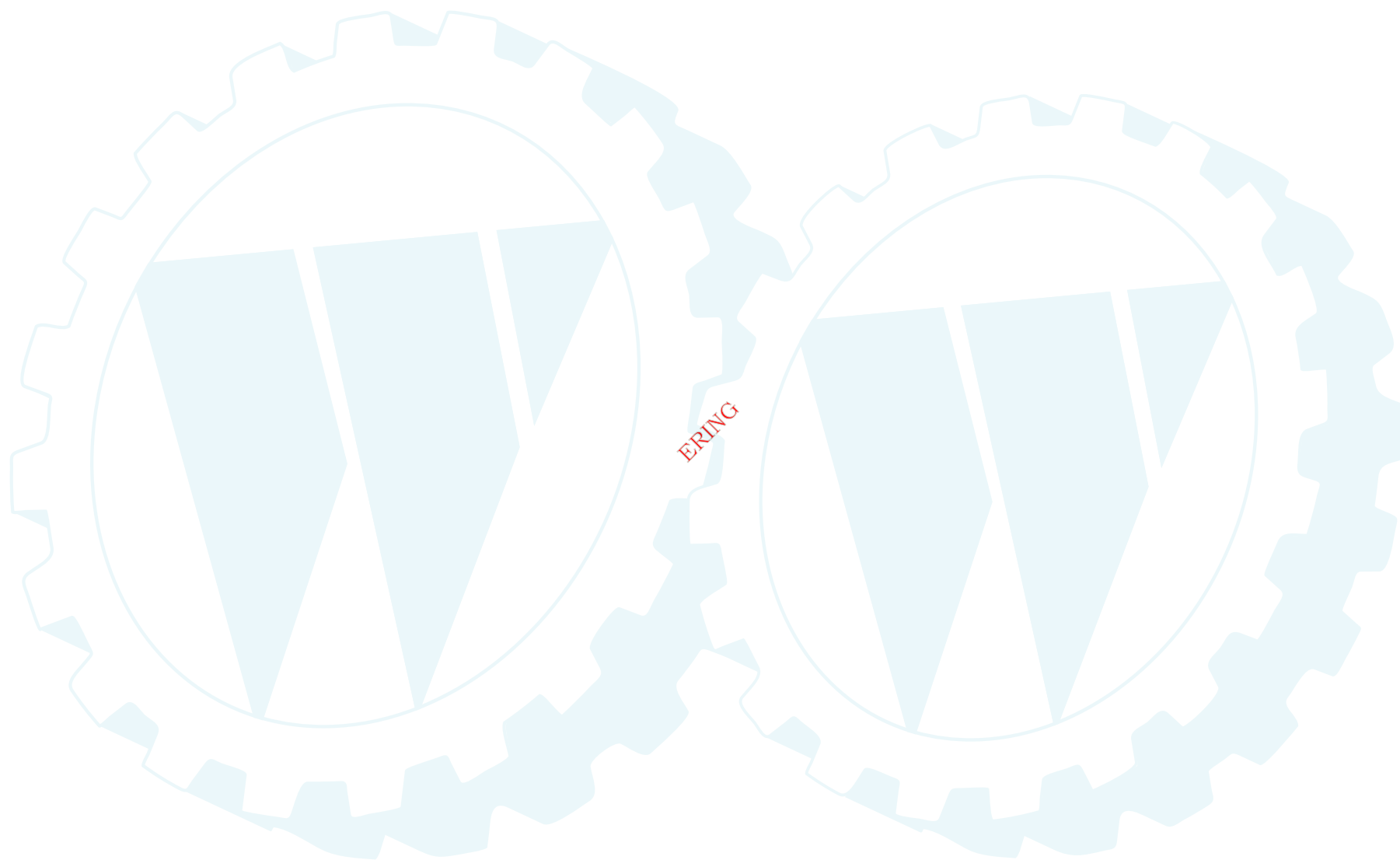
Service item	FRT	Ref. No.	Part No.	Description	QTY	A/S	Exch	Start Date	End Date	Start FRM.No	End FRM.No
ARM ASS'Y, KICK STARTER	0.1	1	28300-SE1-0000	ARM ASS'Y, KICK STARTER	1	Y	N	20010227	20030304	KMYSE1B4S1K000001	KMYSE1B4S3K008666
.SPRING, MAIN STAND								20010330	20030304	KMY00SJ501C006610	KMY00SJ503C016535
STAND COMP., MAIN	0.5		28300-SE1-0000-M3	ARM ASS'Y, KICK STARTER	1	Y		20020122	20030304	KMYSE1B2S2K000001	KMYSE1B2S000001
BAR COMP., SIDE STAND	0.3							20030305		KMYSE1B4S3K008684	
.SPRING, SIDE STAND								20030305		KMY00SJ503C016536	
								20030305		KMYSE1B2S3K000092	
		2	50500-SE1-RB00	STAND COMP., MAIN	1	Y	N	20010227	20030219	KMYSE1B4S1K000001	KMYSE1B4S3K008666
			50500-SE1-RB11	STAND COMP., MAIN	1	Y		20020122	20030219	KMYSE1B2S2K000001	KMYSE1B2S000001
								20030220		KMYSE1B4S3K008667	
								20030220		KMYSE1B2S3K000092	
		2-1	50500-SE1-0000	STAND COMP., MAIN	1	Y	N	20010319	20030219	KMYSE1B4S1K000391	KMYSE1B4S3K008666
								20010330	20030219	KMY00SJ501C006610	KMY00SJ503C016535
			50500-SE1-0011	STAND COMP., MAIN	1	Y		20030220		KMYSE1B4S3K008667	
								20030220		KMY00SJ503C016536	
		3	50504-SE5-6701	COLLAR, MAIN STAND	2	Y		20010227		KMYSE1B4S1K000001	
								20010330		KMY00SJ501C006610	
								20020122		KMYSE1B2S2K000001	
		4	5052A-SE5-5000-EU	SPRING SET, MAIN STAND	1	Y		20010227		KMYSE1B4S1K000001	
								20020701		KMY00SJ502C015734	
								20020122		KMYSE1B2S2K000001	
		5	50520-SE5-5000-EU	SPRING, MAIN STAND OUTER	1	N		20010227		KMYSE1B4S1K000001	
								20020701		KMY00SJ502C015734	
								20020122		KMYSE1B2S2K000001	

F-20

MAIN STAND

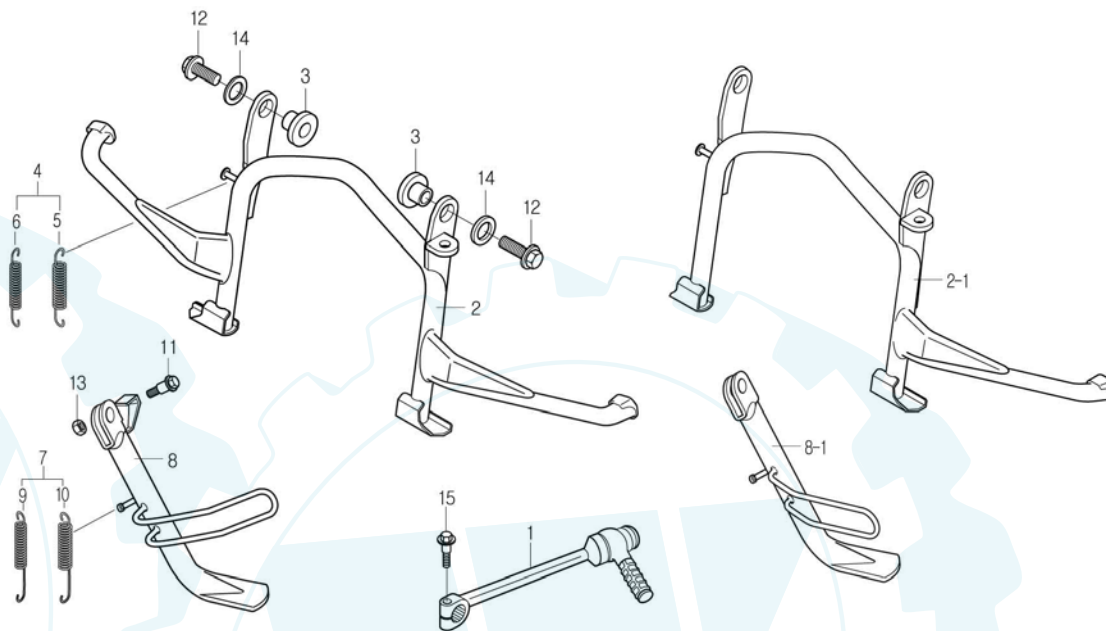


Service item	FRT	Ref. No.	Part No.	Description	QTY	A/S	Exch	Start Date	End Date	Start FRM.No	End FRM.No
		6	50521-SE5-5000-EU	SPRING, MAIN STAND INNER	1	N		20010227 20020701 20020122		KMYSE1B4S1K000001 KMY00SJ502C015734 KMYSE1B2S2K000001	
		7	5053A-SE1-RB00	SPRING SET, SIDE STAND	1	Y		20010227 20010330 20020122		KMYSE1B4S1K000001 KMY00SJ501C006610 KMYSE1B2S2K000001	
		8	50530-SE1-RB01	BAR COMP., SIDE STAND	1	Y		20010227 20020701 20020122		KMYSE1B4S1K000001 KMY00SJ502C015734 KMYSE1B2S2K000001	
		8-1	50530-SE1-0001	BAR COMP., SIDE STAND	1	Y		20010319 20010330 20020630		KMYSE1B4S1K000391 KMY00SJ501C006610 KMY00SJ502C015733	
		9	50532-SE1-RB00	SPRING, SIDE STAND INNER	1	N		20010227 20010330 20020122		KMYSE1B4S1K000001 KMY00SJ501C006610 KMYSE1B2S2K000001	
		10	50533-SE1-RB00	SPRING, SIDE STAND OUTER	1	N		20010227 20010330 20020122		KMYSE1B4S1K000001 KMY00SJ501C006610 KMYSE1B2S2K000001	
		11	90108-SE5-0000	SCREW, SIDE STAND PIVOT	1	Y		20010227 20010330 20020122		KMYSE1B4S1K000001 KMY00SJ501C006610 KMYSE1B2S2K000001	



F-20

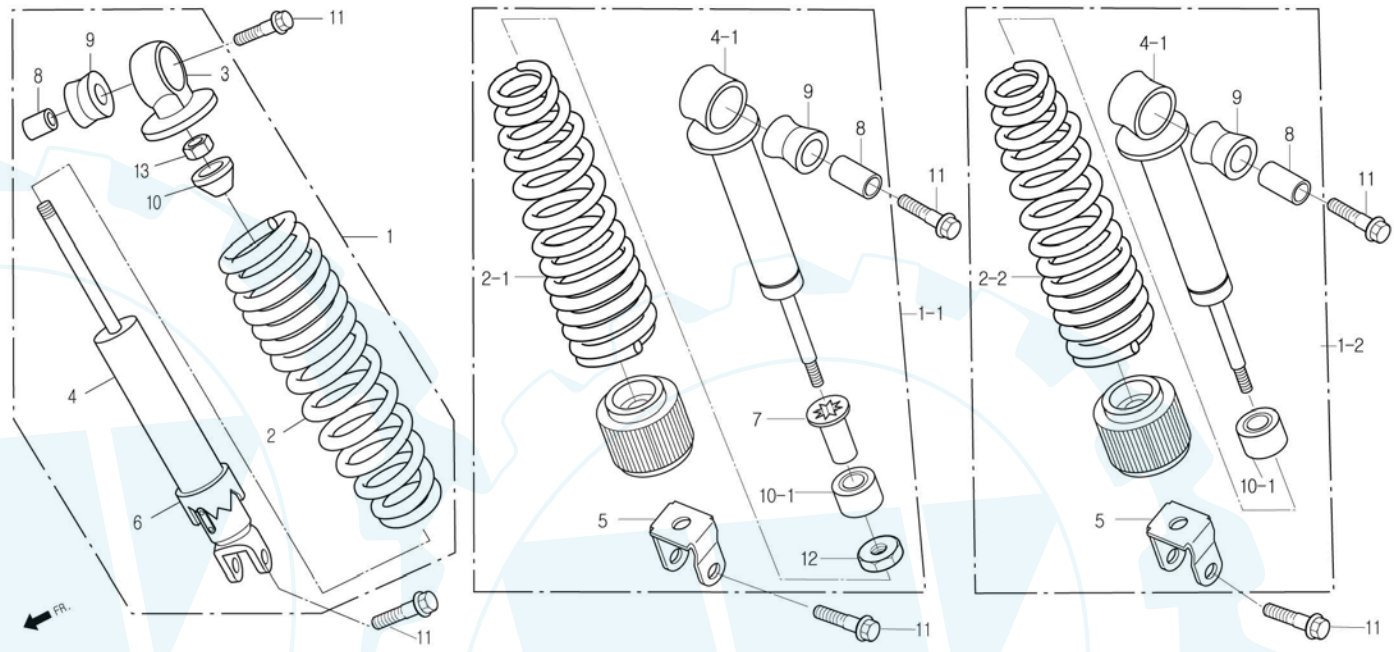
MAIN STAND



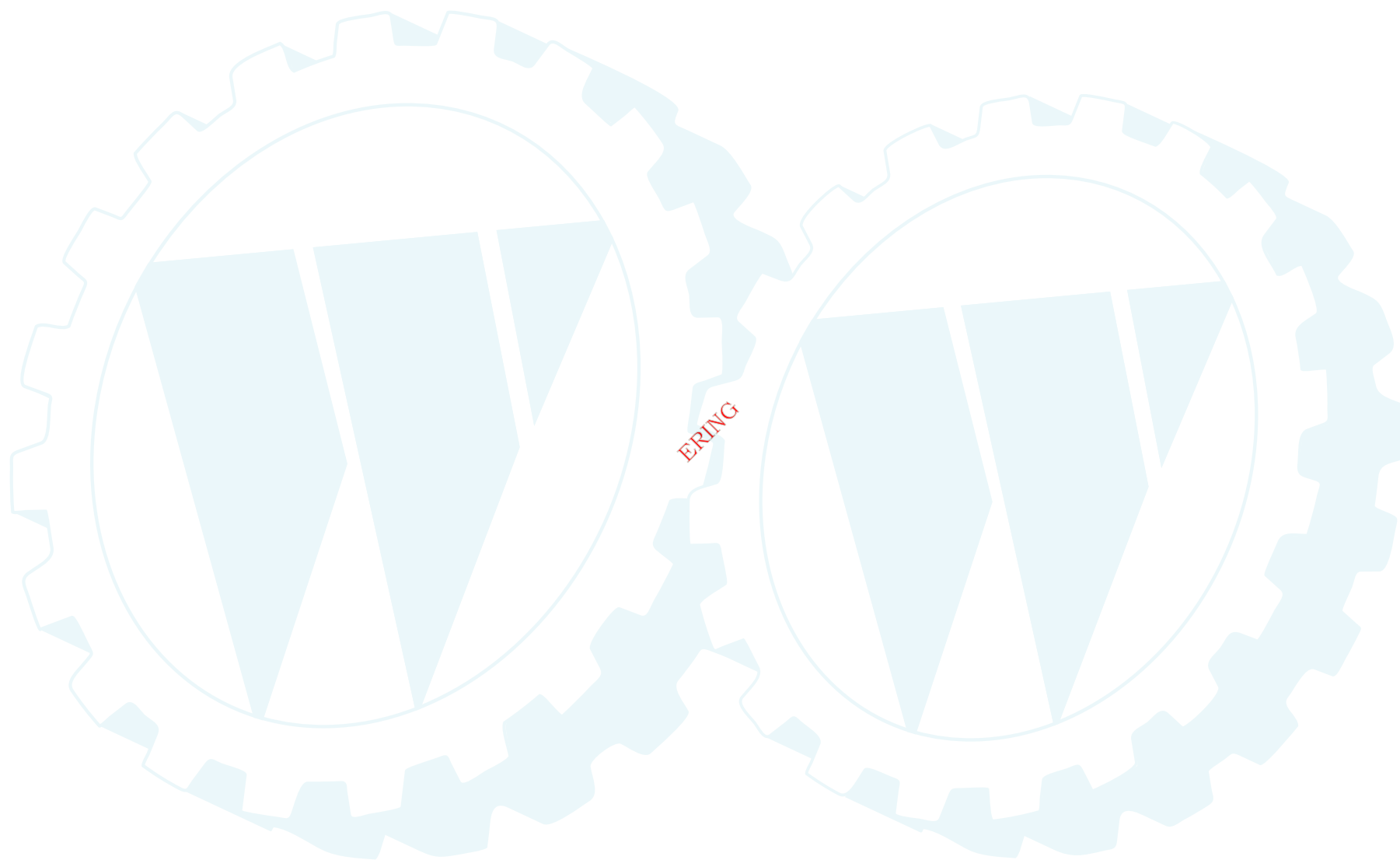
Service item	FRT	Ref. No.	Part No.	Description	QTY	A/S	Exch	Start Date	End Date	Start FRM.No	End FRM.No
		13	S4001-10080-0S	NUT, HEX.10mm	1	Y		20010330		KMY00SJ501C006610	
		14	S4101-10800	WASHER, PLAIN 10mm	2	Y		20020122		KMYSE1B2S2K000001	
		15	S5701-06022-07	BOLT, FLANGE 6x22	1	Y		20010227		KMYSE1B4S1K000001	
								20010330		KMY00SJ501C006610	
								20020122		KMYSE1B2S2K000001	
								20010227		KMYSE1B4S1K000001	
								20010330		KMY00SJ501C006610	
								20020122		KMYSE1B2S2K000001	

F-21

REAR CUSHION

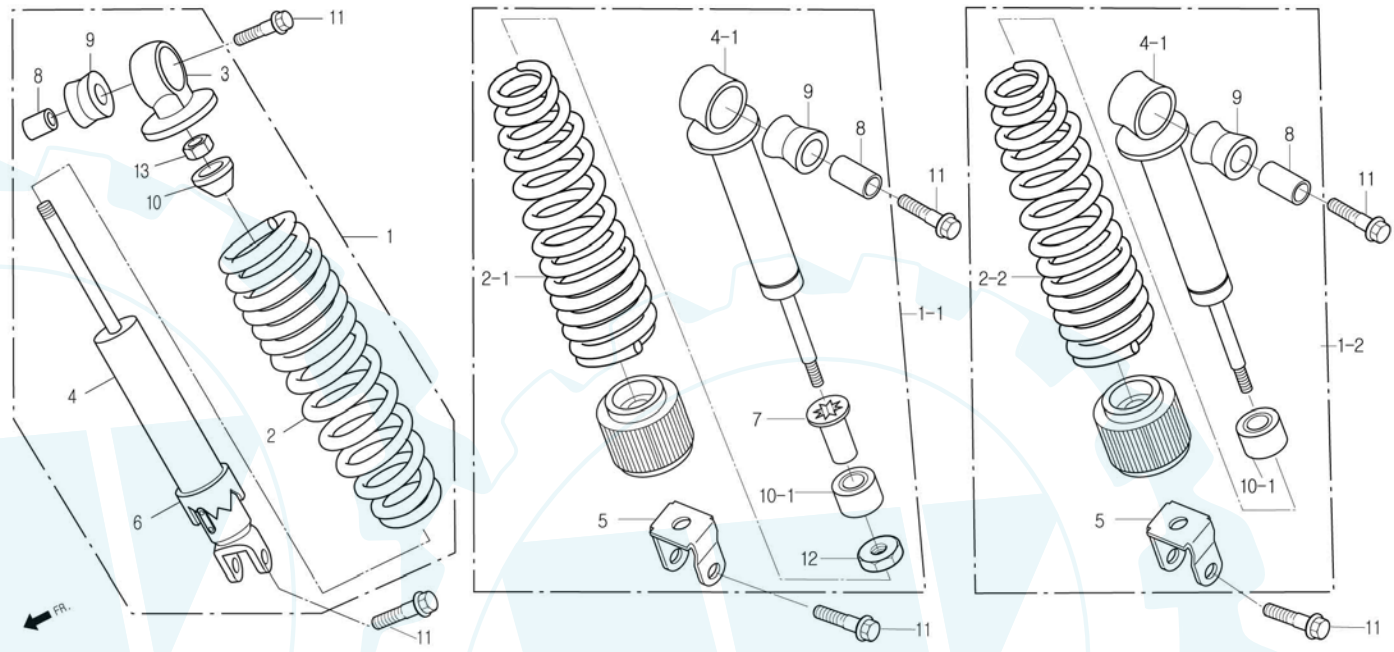


Service item	FRT	Ref. No.	Part No.	Description	QTY	A/S	Exch	Start Date	End Date	Start FRM.No	End FRM.No
CUSHION ASS'Y, RR.	0.5	1	52400-SE1-RB00	CUSHION ASS'Y, RR.	1	Y		20010227 20020122		KMYSE1B4S1K000001 KMYSE1B2S2K000001	
		1-1	52400-SE1-RJ00	CUSHION ASS'Y, RR.	1	Y		20010411		KMYSE1B4S1K000522	
		1-2	52400-SE1-0000	CUSHION ASS'Y, RR.	1	Y		20010319	20020701	KMYSE1B4S1K000391	KMYSE1B4S2K005853
		2	52401-SE1-RB00	SPRING, RR.CUSHION	1	N		20010330 20010227 20020122		KMY00SJ501C006610 KMYSE1B4S1K000001 KMYSE1B2S2K000001	
		2-1	52401-SE1-RJ00	SPRING, RR.CUSHION	1	N		20010411		KMYSE1B4S1K000522	
		2-2	52401-SE1-0000	SPRING, RR.CUSHION	1	Y		20010319	20020701	KMYSE1B4S1K000391	KMYSE1B4S2K005853
		3	52403-BA7-RB01	JOINT, UPPER	1	N		20010330 20010227 20020122		KMY00SJ501C006610 KMYSE1B4S1K000001 KMYSE1B2S2K000001	
		4	52410-SE1-RB00	DAMPER COMP., RR.	1	N		20010227 20020122		KMYSE1B4S1K000001 KMYSE1B2S2K000001	
		4-1	52410-SE1-0000	DAMPER COMP., RR.	1	N		20010319 20010330		KMYSE1B4S1K000391 KMY00SJ501C006610	
		5	52420-SE1-0000	METAL, BOTTOM	1	N		20010319 20010330		KMYSE1B4S1K000391 KMY00SJ501C006610	
		6	52422-BA6-0032	ADJUSTER, SPRING	1	N		20010227 20020122		KMYSE1B4S1K000001 KMYSE1B2S2K000001	



F-21

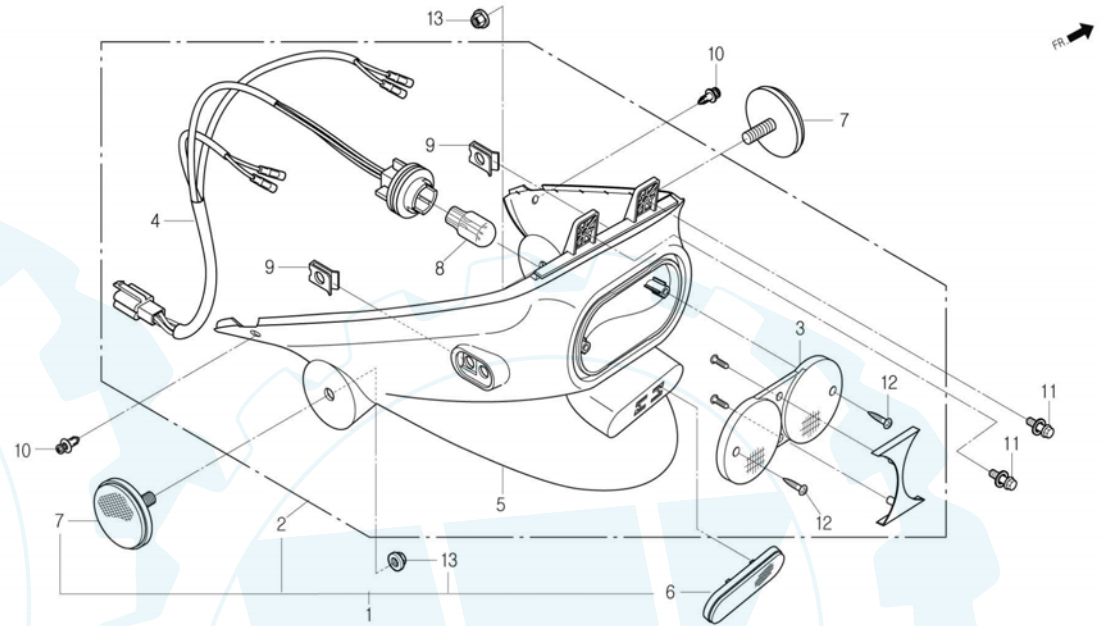
REAR CUSHION



Service item	FRT	Ref. No.	Part No.	Description	QTY	A/S	Exch	Start Date	End Date	Start FRM.No	End FRM.No
		8	52485-SE5-9011-M1	BUSH, RR.CUSHION RUBBER	1	N		20010227 20010330 20020122		KMYSE1B4S1K000001 KMY00SJ501C006610 KMYSE1B2S2K000001	
		9	52486-SE5-0031	COLLAR, RUBBER BUSH	1	N		20010227 20010330 20020122		KMYSE1B4S1K000001 KMY00SJ501C006610 KMYSE1B2S2K000001	
		10-1	52517-SE1-0000	RUBBER, STOPPER	1	N		20010319 20010330		KMYSE1B4S1K000391 KMY00SJ501C006610	
		10	52517-BA6-0030	RUBBER, STOPPER	1	N		20010227 20020122		KMYSE1B4S1K000001 KMYSE1B2S2K000001	
		11	90108-CB3-0000	BOLT, RR.CUSHION UNDER	2	Y		20010227 20010330 20020122		KMYSE1B4S1K000001 KMY00SJ501C006610 KMYSE1B2S2K000001	
		12	90268-SE1-0000	NUT, LOCK 10mm	1	N		20010319 20010330		KMYSE1B4S1K000391 KMY00SJ501C006610	
		13	S4002-10000-0S	NUT, HEX.10mm	1	N		20010227 20020122		KMYSE1B4S1K000001 KMYSE1B2S2K000001	

F-23

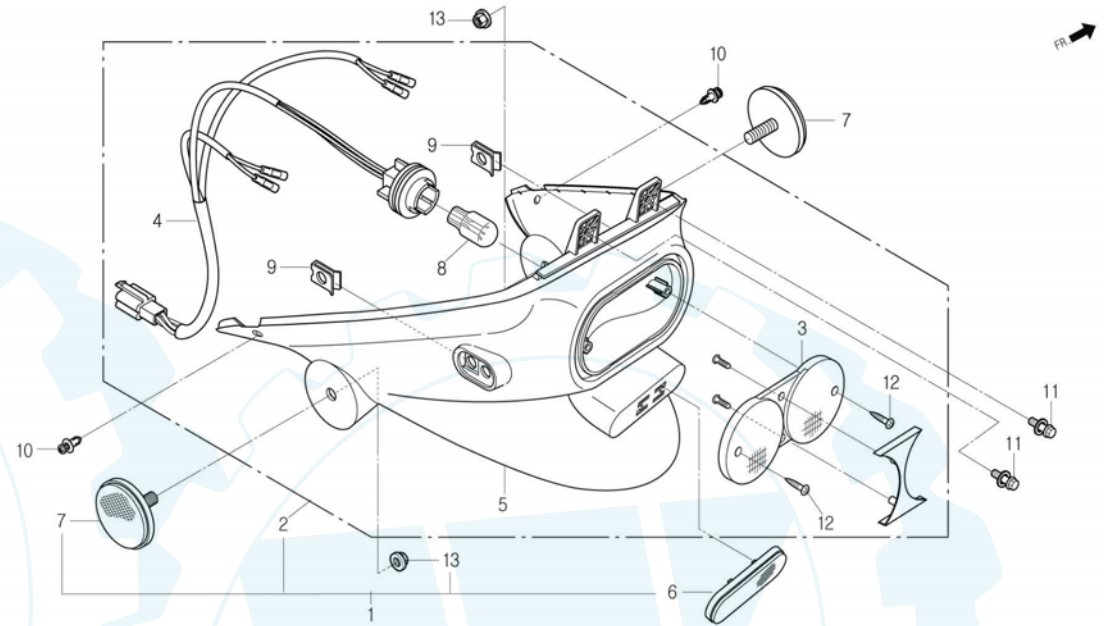
TAIL LIGHT



Service item	FRT	Ref. No.	Part No.	Description	QTY	A/S	Exch	Start Date	End Date	Start FRM.No	End FRM.No
LIGHT ASSY, TAIL	0.7	1	3370A-SE1-RB00	SET, TAIL LIGHT	1	Y		20010227		KMYSE1B4S1K000001	
BULB, TAIL LIGHT	0.1		3370A-SE1-0000	SET, TAIL LIGHT	1	Y		20010319	20020701	KMYSE1B4S1K000391	KMYSE1B4S2K005853
		2	33700-SE1-RB00	LIGHT ASSY, TAIL	1	Y		20010227		KMY00SJ501C006610	
			33700-SE1-0000	LIGHT ASSY, TAIL	1	Y		20010319	20020701	KMYSE1B4S1K000001	KMYSE1B4S2K005853
		3	33702-SE1-0000	LENS, TAIL LIGHT	1	Y		20010227		KMY00SJ501C006610	
								20010330		KMYSE1B4S1K000001	
								20020122		KMY00SJ501C006610	
		4	33703-SE1-RB00	SOCKET COMP., TAIL LIGHT	1	Y		20010227		KMYSE1B2S2K000001	
								20020122		KMYSE1B4S1K000001	
			33703-SE1-0000	SOCKET COMP., TAIL LIGHT	1	Y		20010319	20020701	KMYSE1B2S2K000001	KMYSE1B4S2K005853
								20010330		KMY00SJ501C006610	
		5	33704-SE1-0000	BASE, TAIL LIGHT	1	Y		20010227		KMYSE1B4S1K000001	
								20010330		KMY00SJ501C006610	
								20020122		KMYSE1B2S2K000001	
		6	33740-SE1-0000	REFLEX REFLECTOR, RR.	1	Y		20010227		KMYSE1B4S1K000001	
								20010330		KMY00SJ501C006610	
								20020122		KMYSE1B2S2K000001	
								20010227		KMYSE1B4S1K000001	
		7	33750-SE1-0000	REFLEX REFLECTOR, SIDE	2	Y		20010227		KMYSE1B4S1K000001	

F-23

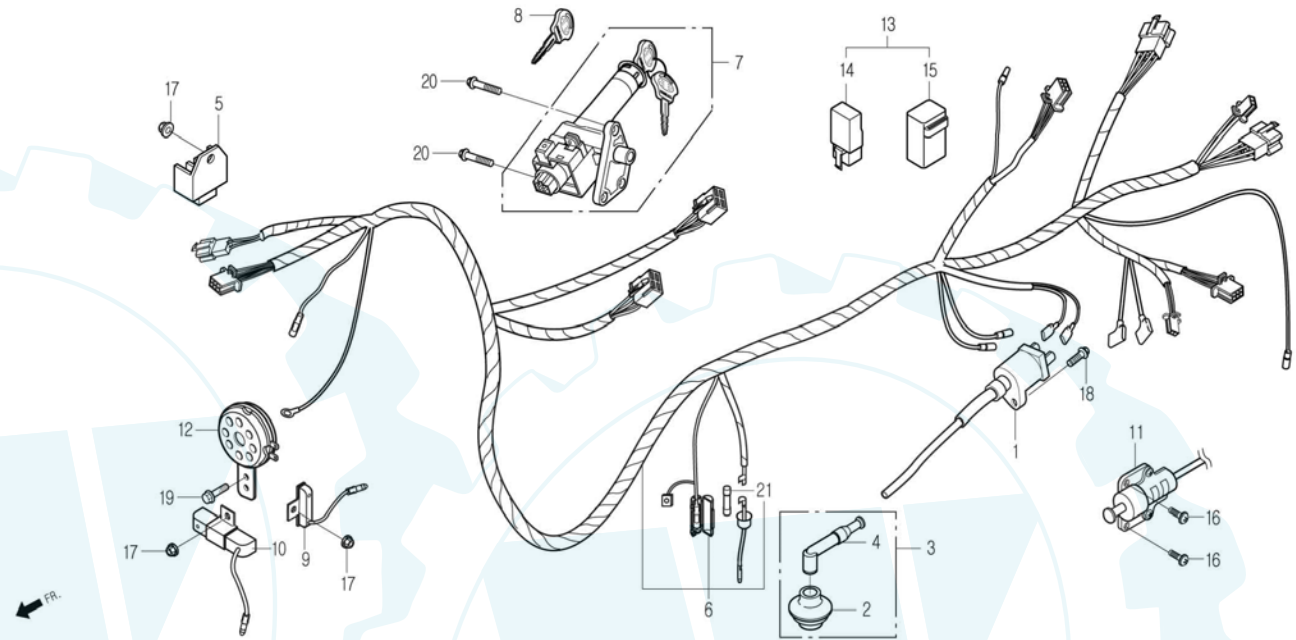
TAIL LIGHT



Service item	FRT	Ref. No.	Part No.	Description	QTY	A/S	Exch	Start Date	End Date	Start FRM.No	End FRM.No
		8	34906-BA7-RB00	BULB, TAIL & STOP 12V 21W/5W	1	Y		20010330 20020122		KMY00SJ501C006610 KMYSE1B2S2K000001	
			34906-SE5-0031	BULB, TAIL LIGHT	1	Y		20010319 20010330	20020701	KMYSE1B4S1K000391 KMY00SJ501C006610	KMYSE1B4S2K005853
		9	90320-SC1-0000	NUT, SPRING M5	2	Y		20010227 20010330		KMYSE1B4S1K000001 KMY00SJ501C006610	
		10	90683-SE5-0030	CLIP, BODY COVER	2	Y		20020122 20010227 20010330		KMYSE1B2S2K000001 KMYSE1B4S1K000001 KMY00SJ501C006610	
		11	S3404-06012-08	BOLT, WASHER 6x12	2	Y		20010227 20010330		KMYSE1B4S1K000001 KMY00SJ501C006610	
		12	S3901-24580	SCREW, TAPPING 4x20	2	Y		20020122 20010227 20010330		KMYSE1B2S2K000001 KMYSE1B4S1K000001 KMY00SJ501C006610	
		13	S4050-06080	NUT, FLANGE 6mm	2	Y		20020122 20010227 20010330		KMYSE1B2S2K000001 KMYSE1B4S1K000001 KMY00SJ501C006610	
								20020122		KMYSE1B2S2K000001	

F-24

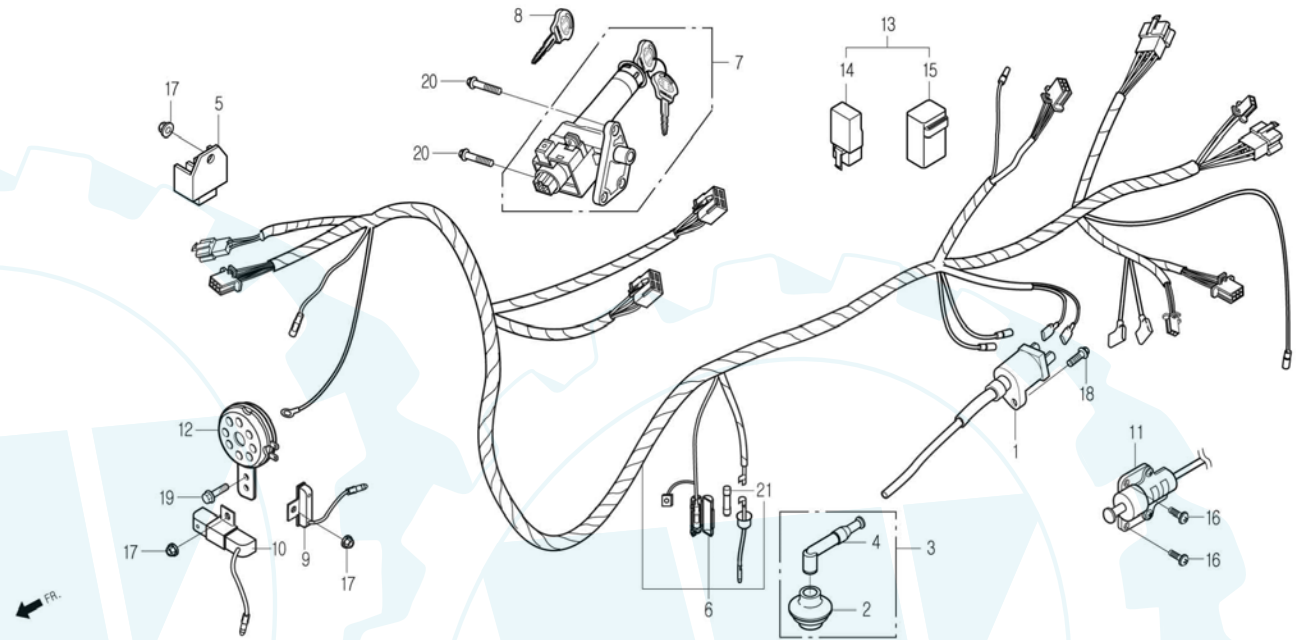
WIRE HARNESS



Service item	FRT	Ref. No.	Part No.	Description	QTY	A/S	Exch	Start Date	End Date	Start FRM.No	End FRM.No
COIL ASS'Y, IGNITION	0.6	1	30510-SE1-0000	COIL COMP., IGNITION	1	Y		20010227		KMYSE1B4S1K000001	
RECTIFIER COMP., REGULATE	0.4							20010330		KMY00SJ501C006610	
HARNESS, WIRE	1.5	2	30605-SE5-9000	SEAL, HIGH TENTION(TERMINAL)	1	N		20010227		KMYSE1B4S1K000001	
KEY SET	1.0							20010330		KMY00SJ501C006610	
RESISTOR COMP.	0.3	3	3070A-SC1-9500	CAP ASS'Y, SPARK PLUG	1	Y		20010227		KMYSE1B4S1K000001	
HORN COMP.	0.3							20010330		KMY00SJ501C006610	
RELAY ASS'Y, STARTER	0.5	4	30700-SE5-9000	CAP ASS'Y, NOISE SUPPRESSOR	1	N		20010227		KMYSE1B4S1K000001	
								20010330		KMY00SJ501C006610	
								20020122		KMYSE1B2S2K000001	
		5	31600-SE6-9800	RECTIFIER COMP., REGULATOR	1	Y		20010227		KMYSE1B4S1K000001	
								20010330		KMY00SJ501C006610	
								20020122		KMYSE1B2S2K000001	
		6	32100-SE1-0000	HARNESS, WIRE	1	Y	N	20010319	20020116	KMYSE1B4S1K000391	KMYSE1B4S2K004354
								20010330	20020116	KMY00SJ501C006610	KMY00SJ502C015338
			32100-SE1-0010	HARNESS, WIRE	1	Y	N	20020117	20020630	KMYSE1B4S2K004355	KMYSE1B4S2K005853
								20020117	20020630	KMY00SJ502C015339	KMY00SJ502C015733
			32100-SE1-RB00	HARNESS, WIRE	1	Y	N	20010227	20020630	KMYSE1B4S1K000001	KMYSE1B4S2K005853
								20020122	20020630	KMYSE1B2S2K000001	KMYSE1B2S3K000090
			32100-SE1-0021	HARNESS, WIRE	1	Y		20020701		KMYSE1B4S2K005854	

F-24

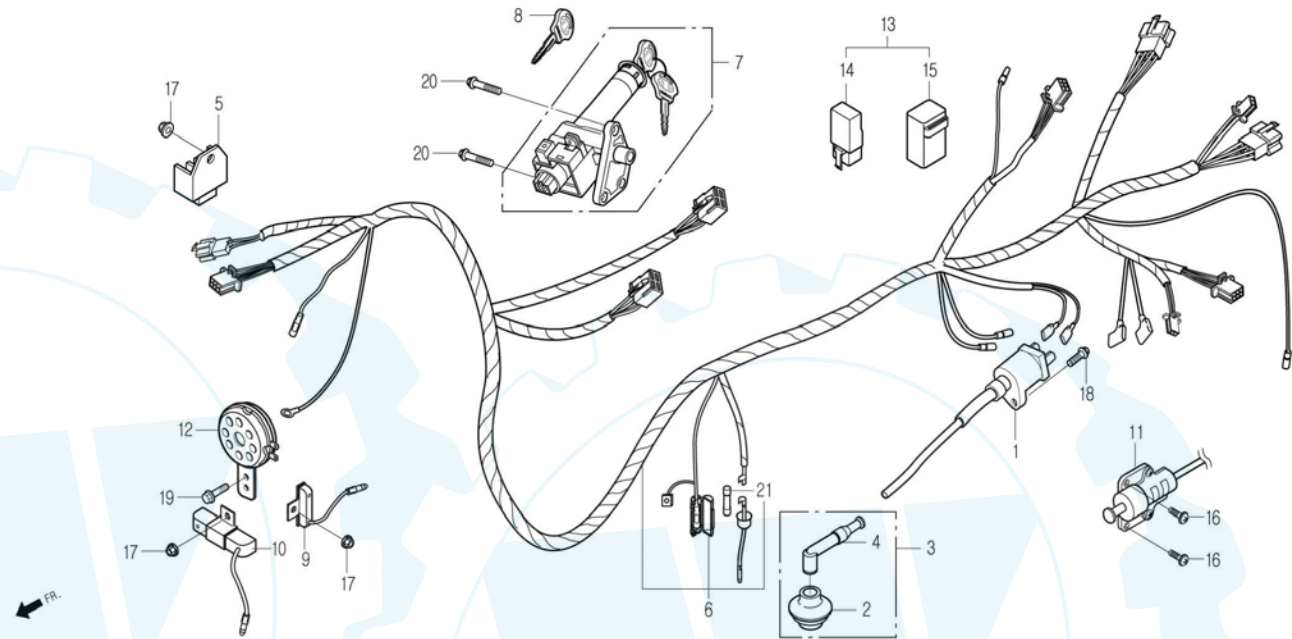
WIRE HARNESS



Service item	FRT	Ref. No.	Part No.	Description	QTY	A/S	Exch	Start Date	End Date	Start FRM.No	End FRM.No
		7	35010-SE1-0000	KEY SET	1	Y		20020701		KMY00SJ502C015734	
		8	35121-SE1-0000	KEY, BLANK NO.1	1	Y	N	20020701		KMYSE1B2S3K000091	
			35121-SE1-0010	KEY, BLANK NO.1	1	Y		20010227		KMYSE1B4S1K000001	
		9	35400-SE5-0001	RESISTOR COMP.	1	Y		20010330		KMY00SJ501C006610	
								20020122		KMYSE1B2S2K000001	
		10	35401-SE1-0000	RESISTOR COMP., B	1	Y		20010227		KMYSE1B4S1K000001	
								20010330		KMY00SJ501C006610	
								20020122		KMYSE1B2S2K000001	
		11	35700-SE1-RB10-M1	SWITCH ASS'Y, SIDE STAND	1	N	N	20010227	20020731	KMYSE1B4S1K000001	KMYSE1B4S2K006160
								20020701	20020731	KMY00SJ502C015734	KMY00SJ502C016033
								20020122	20020731	KMYSE1B2S2K000001	KMYSE1B2S3K000090
			35700-SE1-RB20-M1	SWITCH ASS'Y, SIDE STAND	1	Y		20020801		KMYSE1B4S2K006161	
								20020801		KMY00SJ502C016034	
								20020801		KMYSE1B2S3K000091	
		12	38110-SA1-0000-EU	HORN COMP.	1	Y		20010227		KMYSE1B4S1K000001	
								20010330		KMY00SJ501C006610	

F-24

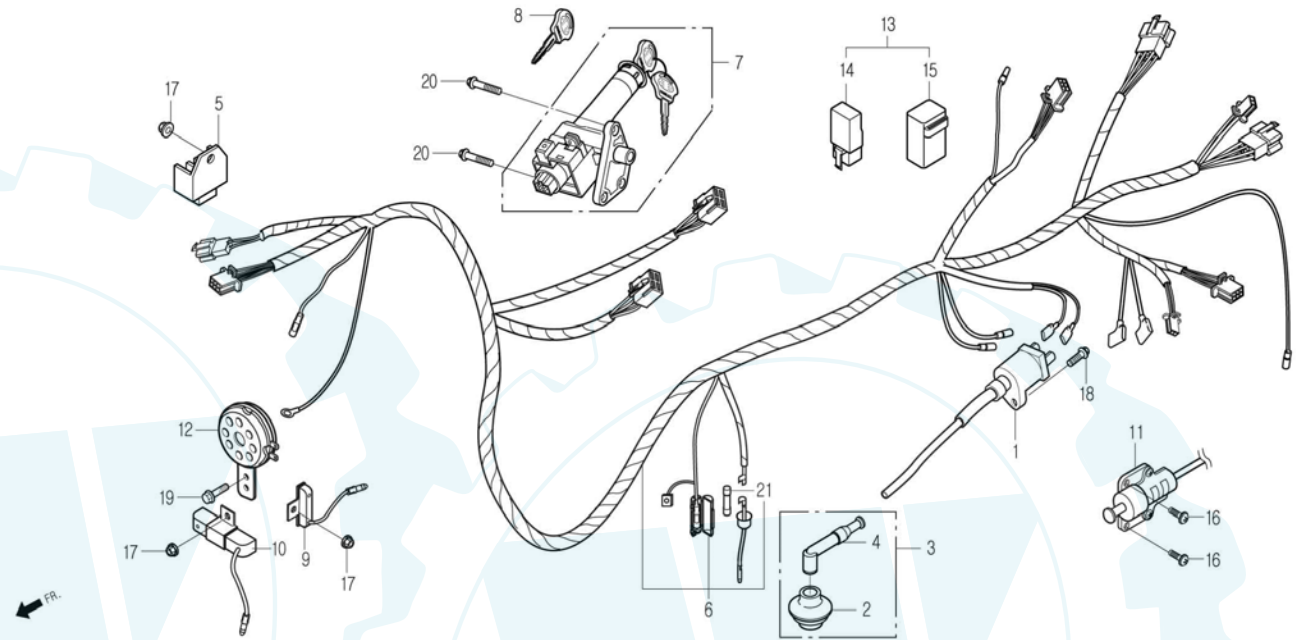
WIRE HARNESS



Service item	FRT	Ref. No.	Part No.	Description	QTY	A/S	Exch	Start Date	End Date	Start FRM.No	End FRM.No
		13	38500-CB3-7000	RELAY ASS'Y, STARTER	1	Y		20020122 20010227 20010330		KMYSE1B2S2K000001 KMYSE1B4S1K000001 KMY00SJ501C006610	
		14	38501-CB3-7000	RELAY COMP., STARTER	1	N		20020122 20010227 20010330		KMYSE1B2S2K000001 KMYSE1B4S1K000001 KMY00SJ501C006610	
		15	38506-CB2-0041	SUSPENSION, START RELAY	1	Y		20020122 20010227 20010330 20020122		KMYSE1B2S2K000001 KMYSE1B4S1K000001 KMY00SJ501C006610 KMYSE1B2S2K000001	
		16	S3500-05012-0A	SCREW, PAN 5x12	2	N	N	20010227	20010701	KMYSE1B4S1K000001	KMYSE1B4S1K002497
			S3892-05016-08	SCREW, WASHER 5x16	2	Y		20010702 20020701		KMYSE1B4S1K002498 KMY00SJ502C015734	
		17	S4050-06080	NUT, FLANGE 6mm	3	Y		20020122 20010227 20010330 20020122		KMYSE1B2S2K000001 KMYSE1B4S1K000001 KMY00SJ501C006610 KMYSE1B2S2K000001	
		18	S5701-06010-08	BOLT, FLANGE 6x10	1	Y		20020122 20010227 20010330 20020122		KMYSE1B2S2K000001 KMYSE1B4S1K000001 KMY00SJ501C006610 KMYSE1B2S2K000001	
		19	S5701-06012-08	BOLT, FLANGE 6x12	1	Y		20010227 20010330		KMYSE1B4S1K000001 KMY00SJ501C006610	

F-24

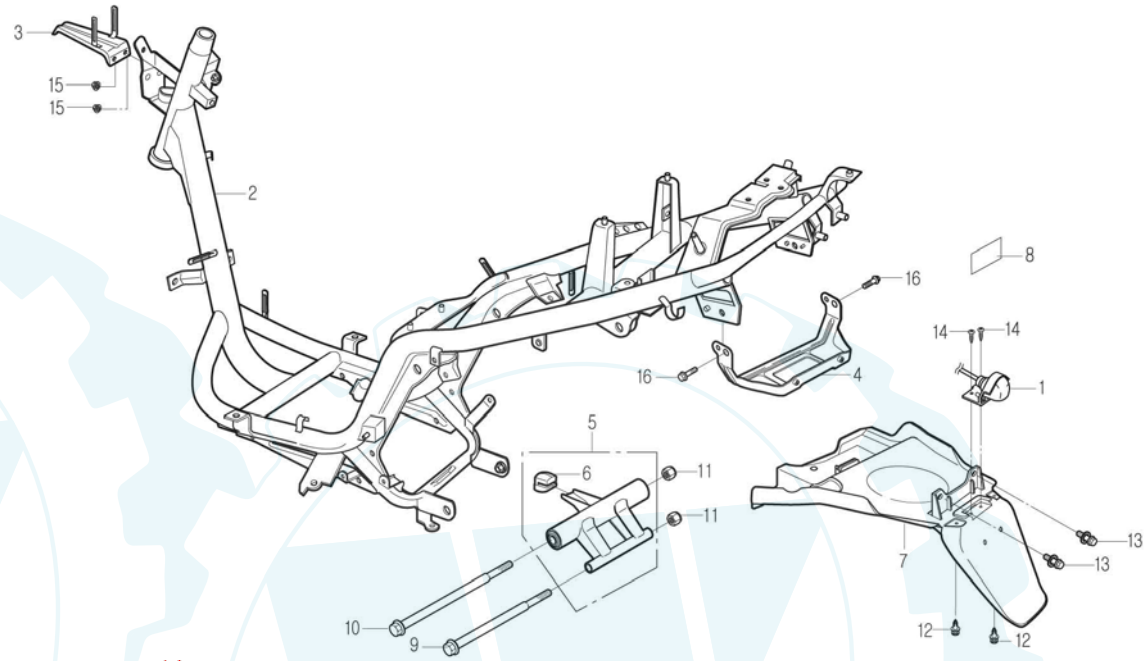
WIRE HARNESS



Service item	FRT	Ref. No.	Part No.	Description	QTY	A/S	Exch	Start Date	End Date	Start FRM.No	End FRM.No
		20	S6700-06020-07	BOLT, SOCKET 6x20	2	Y		20020122		KMYSE1B2S2K000001	
		21	S8200-10700	FUSE, 7A	2	Y		20010227		KMYSE1B4S1K000001	
								20010330		KMY00SJ501C006610	
								20020122		KMYSE1B2S2K000001	
								20010227		KMYSE1B4S1K000001	
								20010330		KMY00SJ501C006610	
								20020122		KMYSE1B2S2K000001	

F-25

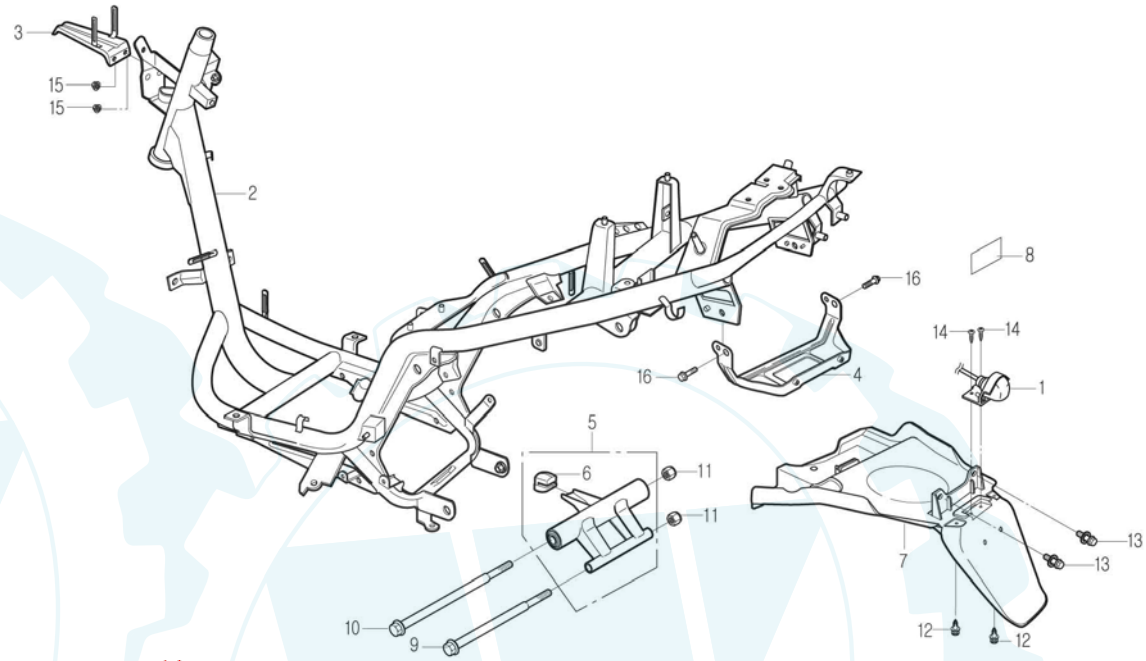
FRAME BODY



Service item	FRT	Ref. No.	Part No.	Description	QTY	A/S	Exch	Start Date	End Date	Start FRM.No	End FRM.No
BODY COMP., FRAME	4.2	1	33710-SE1-RB10-M1	PLATE ASS'Y, LICENSE	1	Y		20010227		KMYSE1B4S1K000001	
LINK ASS'Y, ENGINE HANGER	1.0	2	50100-SE1-0001	BODY COMP., FRAME	1	Y		20020122		KMYSE1B2S2K000001	
STAY, FR.COVER	0.5	3	50128-SE1-0001	STAY, FR.COVER	1	Y		20010330		KMY00SJ501C006610	
FENDER, RR.	0.7	4	50180-SE1-0000	STAY COMP., FUEL TANK SUPPORT	1	Y		20020122		KMYSE1B2S2K000001	
		5	50350-SE1-0000	LINK ASS'Y, ENGINE HANGER	1	Y		20010227		KMYSE1B4S1K000001	
								20010330		KMY00SJ501C006610	
								20020122		KMYSE1B2S2K000001	
		6	50352-SE5-7300	RUBBER, LINK STOPPER	1	Y		20010227		KMYSE1B4S1K000001	
								20010330		KMY00SJ501C006610	
								20020122		KMYSE1B2S2K000001	
		7	80105-SE1-0001	FENDER, RR.	1	Y		20010227		KMYSE1B4S1K000001	
								20010330		KMY00SJ501C006610	
								20020122		KMYSE1B2S2K000001	
		8	87509-SE1-RB00	PLATE, MANUFACTURER'S DATA	1	N	N	20010227	20020515	KMYSE1B4S1K000001	KMYSE1B4S2K005446
			87509-SE1-RB10	PLATE, MANUFACTURER'S DATA	1	N		20020516		KMYSE1B4S2K005447	

F-25

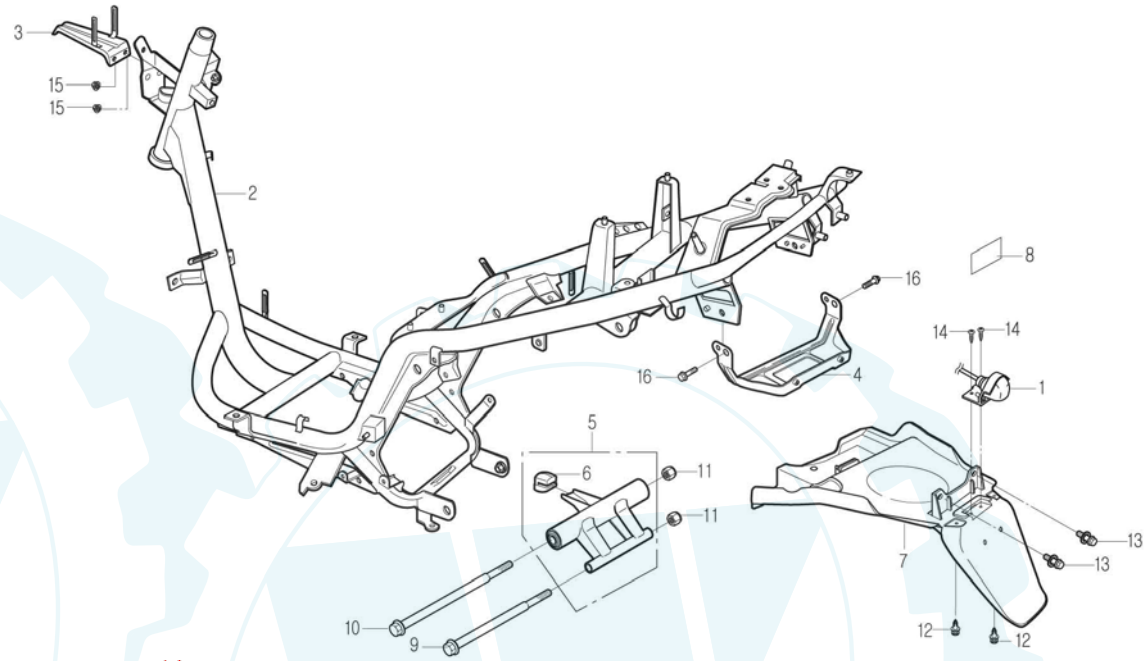
FRAME BODY



Service item	FRT	Ref. No.	Part No.	Description	QTY	A/S	Exch	Start Date	End Date	Start FRM.No	End FRM.No
			87509-SE1-RN00	PLATE, MANUFACTURER'S DATA	1	N		20010330		KMY00SJ501C006610	
			87509-SE1-RZ00	PLATE, MANUFACTURER'S DATA (EURO2)	1	N		20020516		KMYSE1B2S3K000091	
		9	90102-SE1-0000	BOLT, FLANGE 10x195	1	Y		20020122		KMYSE1B2S2K000001	
								20030718		KMYSE1B4S3K011156	
								20010227		KMYSE1B4S1K000001	
								20010330		KMY00SJ501C006610	
		10	90103-SE1-0000	BOLT, FLANGE 10x240.5	1	Y		20020122		KMYSE1B2S2K000001	
								20010227		KMYSE1B4S1K000001	
								20010330		KMY00SJ501C006610	
								20020122		KMYSE1B2S2K000001	
		11	90304-SE6-0000	NUT, U 10mm	2	Y		20010227		KMYSE1B4S1K000001	
								20010330		KMY00SJ501C006610	
								20020122		KMYSE1B2S2K000001	
		12	90683-SE5-0030	CLIP, BODY COVER	2	Y		20010227		KMYSE1B4S1K000001	
								20010330		KMY00SJ501C006610	
								20020122		KMYSE1B2S2K000001	
		13	S3404-06012-08	BOLT, WASHER 6x12	2	Y		20010227		KMYSE1B4S1K000001	
								20010330		KMY00SJ501C006610	
								20020122		KMYSE1B2S2K000001	
		14	S3903-34310	SCREW, TAPPING 4x12	2	Y		20010227		KMYSE1B4S1K000001	
								20020122		KMYSE1B2S2K000001	
		15	S4050-06080	NUT, FLANGE 6mm	2	Y		20010227		KMYSE1B4S1K000001	

F-25

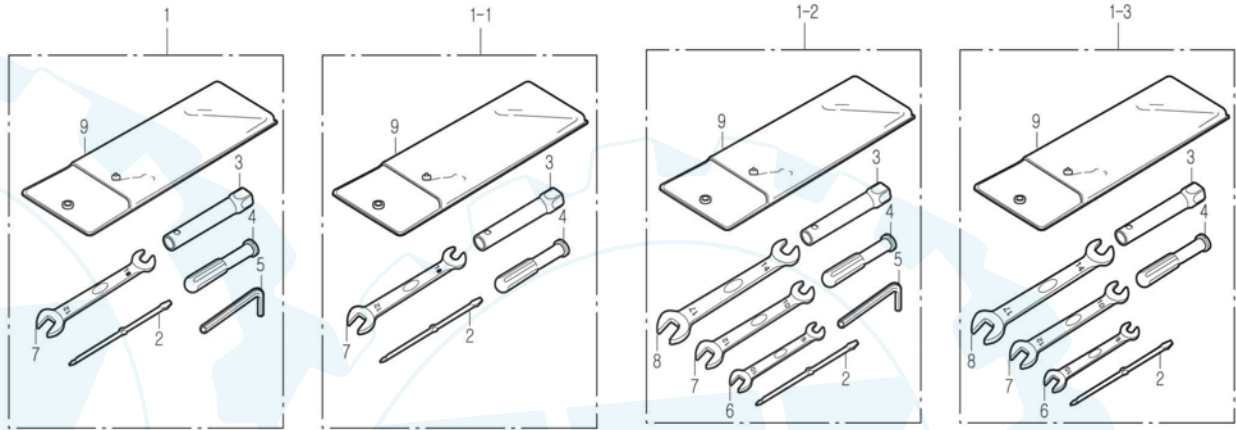
FRAME BODY



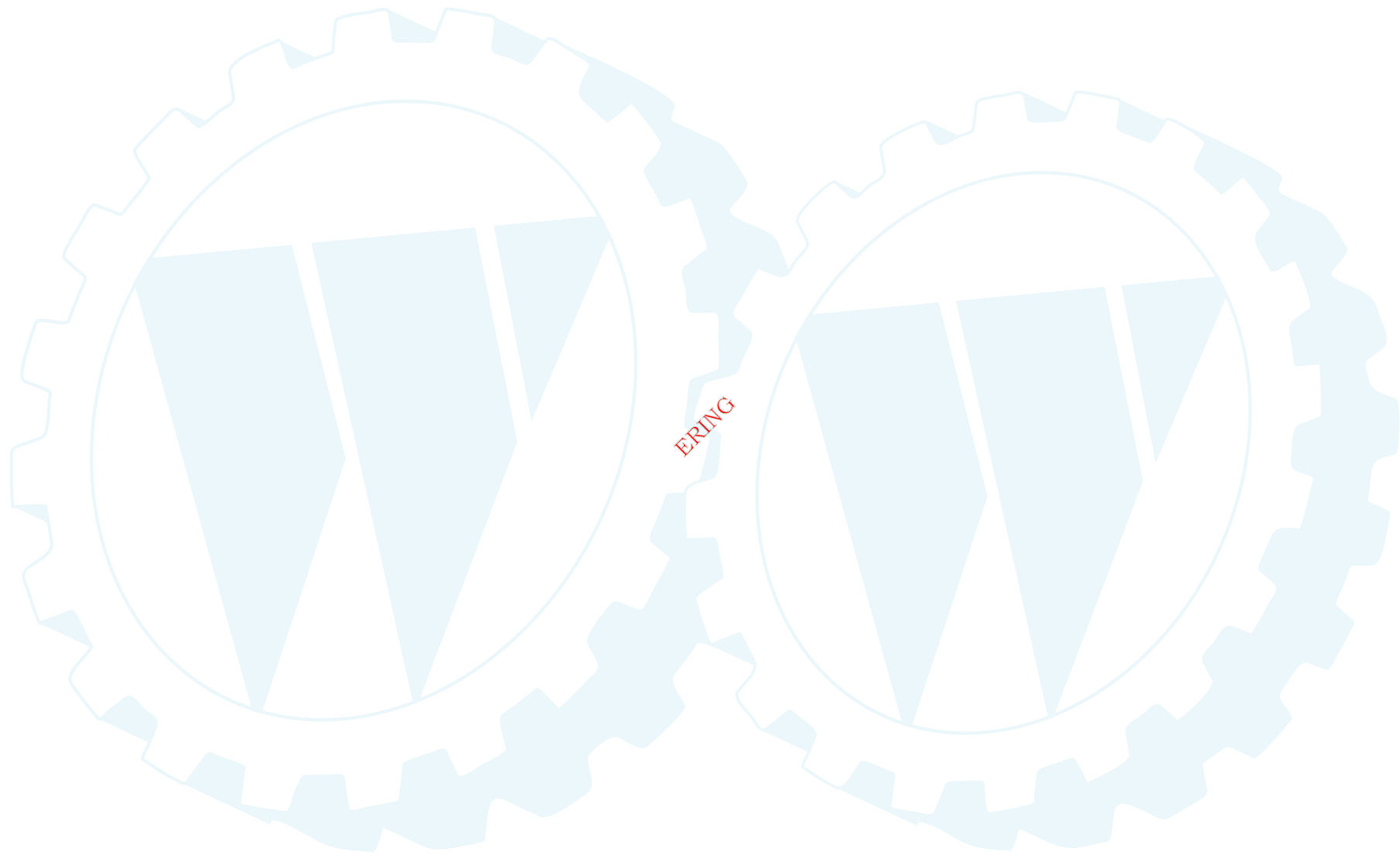
Service item	FRT	Ref. No.	Part No.	Description	QTY	A/S	Exch	Start Date	End Date	Start FRM.No	End FRM.No
		16	S5701-06012-08	BOLT, FLANGE 6x12	2	Y		20010330 20020122		KMY00SJ501C006610 KMYSE1B2S2K000001	
								20010227 20010330 20020122		KMYSE1B4S1K000001 KMY00SJ501C006610 KMYSE1B2S2K000001	

F-26

TOOL

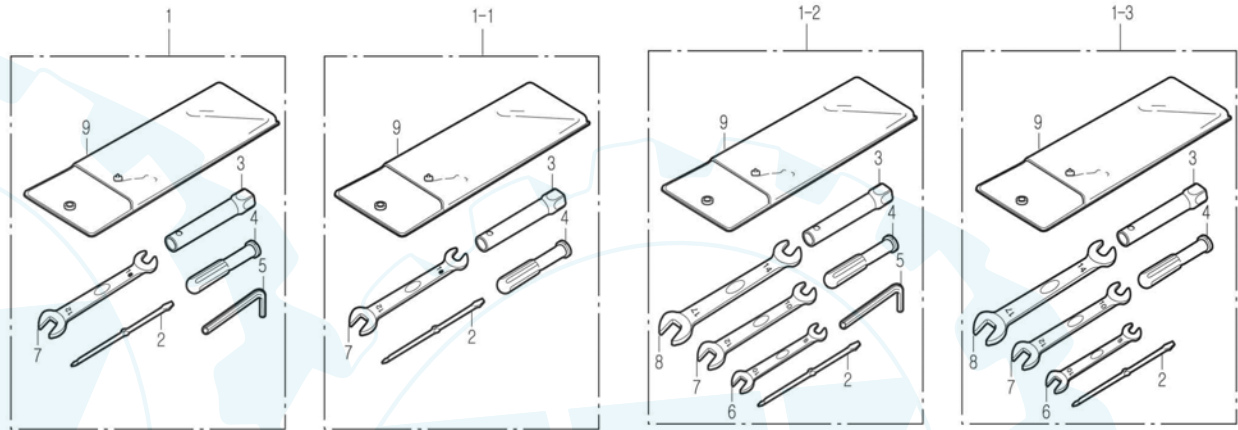


Service item	FRT	Ref. No.	Part No.	Description	QTY	A/S	Exch	Start Date	End Date	Start FRM.No	End FRM.No
		1	89010-SE1-0000	TOOL SET	1	N	N	20010319 20010330	20020701 20030101	KMYSE1B4S1K000391 KMY00SJ501C006610	KMYSE1B4S2K005853 KMY00SJ503C016535
		1-1	89010-HD2-8920	TOOL SET	1	Y		20030102		KMY00SJ503C016536	
		1-2	89010-SE1-RB00	TOOL SET	1	N	N	20010227 20020122	20030101 20030101	KMYSE1B4S1K000001 KMYSE1B2S2K000001	KMYSE1B4S3K008131 KMYSE1B2S000001
		1-3	89010-SE1-RB10	TOOL SET	1	Y		20030102 20030102		KMYSE1B4S3K008132 KMYSE1B2S3K000092	
		2	89102-CB2-0000	DRIVER, NO.2 PLUS & MINUS	1	N		20010227 20010330 20020122		KMYSE1B4S1K000001 KMY00SJ501C006610 KMYSE1B2S2K000001	
		3	89103-CB2-0001	GRIP	1	N		20010227 20010330 20020122		KMYSE1B4S1K000001 KMY00SJ501C006610 KMYSE1B2S2K000001	
		4	89214-HD2-9000	WRENCH, BOX 21mm	1	N		20010227 20010330 20020122		KMYSE1B4S1K000001 KMY00SJ501C006610 KMYSE1B2S2K000001	
		5	89221-BA6-0000	WRENCH, HEX.6	1	N		20010227 20010330 20020122		KMYSE1B4S1K000001 KMY00SJ501C006610 KMYSE1B2S2K000001	
		6	S9001-08100	SPANNER 8x10	1	N		20010227		KMYSE1B4S1K000001	



F-26

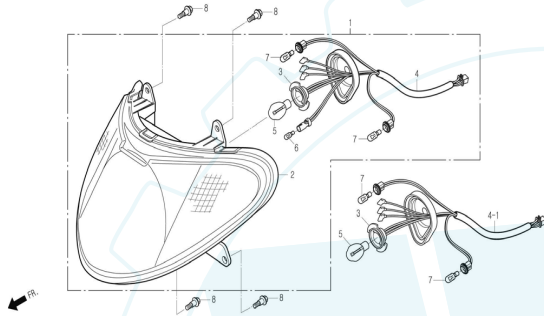
TOOL



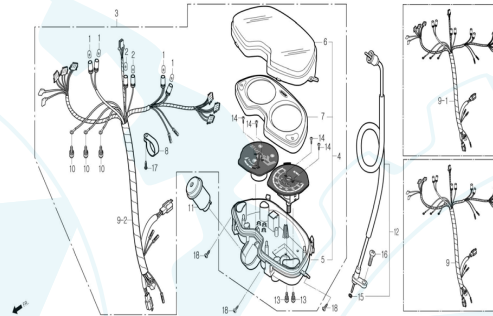
Service item	FRT	Ref. No.	Part No.	Description	QTY	A/S	Exch	Start Date	End Date	Start FRM.No	End FRM.No
		7	S9001-BA7-0300-M1	SPANNER 10x12	1	N		20010227 20010330 20020122		KMYSE1B4S1K000001 KMY00SJ501C006610 KMYSE1B2S2K000001	
		8	S9001-BA7-0600-M1	SPANNER 14x17	1	N		20010227 20020122		KMYSE1B4S1K000001 KMYSE1B2S2K000001	
		9	S9008-01600	BAG, TOOL 160mm	1	N		20010227 20010330 20020122		KMYSE1B4S1K000001 KMY00SJ501C006610 KMYSE1B2S2K000001	

FRAME GROUP

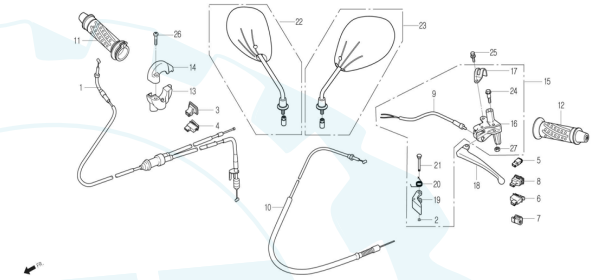
F-01 HEAD LIGHT / FRONT WINKER



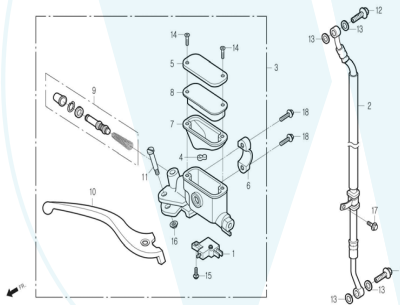
F-02 SPEEDOMETER



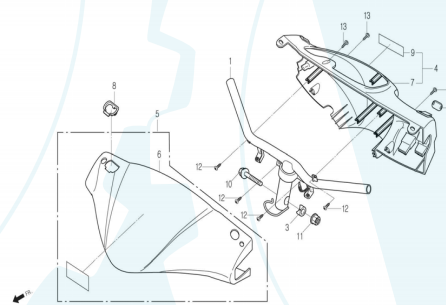
F-03 HANDLE LEVER / SWITCH / CABLE



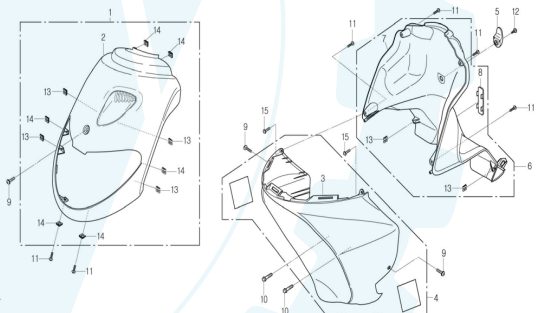
F-04 FRONT BRAKE / MASTER CYLINDER



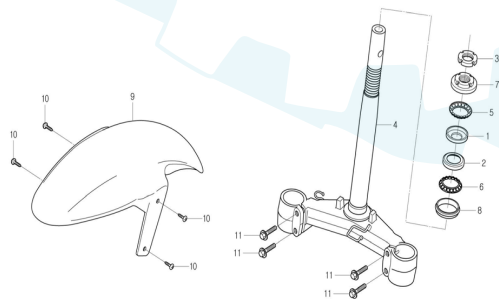
F-05 HANDLE PIPE / HANDLE COVER



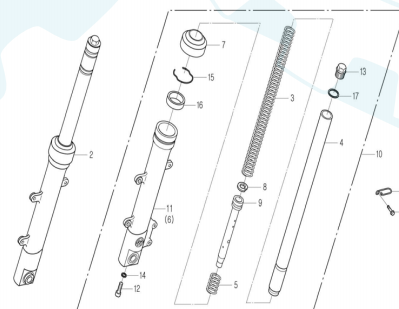
F-06 FRONT COVER



F-07 FRONT FENDER / STEERING STEM



F-08 FRONT FORK



F-09 FRONT BRAKE CALIPER

