

DAELIM

a-FOUR

SJ50R (Eu)

파트리스트
PARTS LIST

 **대림자동차**
<http://www.dmc.co.kr>

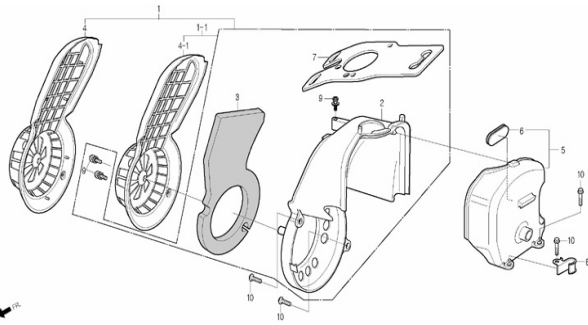
a-four Orange/Sort



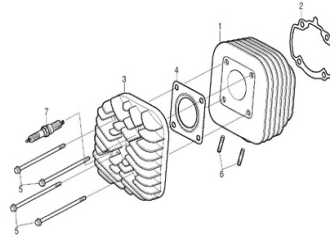
No.	DESCRIPTION	Partnumber
1	COVER ASS'Y, FR.(S/ORANGE)	6430A-SE7-RZ00-SO
	STRIPE, LH.FR.COVER(S/ORANGE)	87138-SE7-RZ00-SO
	STRIPE, RH.FR.COVER(S/ORANGE)	87137-SE7-RZ00-SO
2	UNDER COVER A, FR.(S/ORANGE)(uten dekal)	64400-SE7-0000-SO
	STRIPE, LH.FR.UNDER COVER(S/ORANGE)	87134-SE7-RZ00-SO
	STRIPE, RH.FR.UNDER COVER(S/ORANGE)	87133-SE7-RZ00-SO
3	FENDER, FR.(S/ORANGE)	61100-SE8-0000-SO
4	COVER, LH.FLOOR SIDE(M/BLACK)	50614-SE1-0000-MK
4	COVER, RH.FLOOR SIDE(M/BLACK)	50613-SE1-0000-MK
5	COVER SET, LH BODY(S/ORANGE)	83550-SE7-RZ00-SO
	STRIPE A, LH.BODY COVER(S/ORANGE)	87132-SE7-RZ00-SO
	STRIPE B, LH.BODY COVER(S/ORANGE)	87126-SE7-RZ00-SO
5	COVER SET, RH.BODY(S/ORANGE)	83450-SE7-RZ00-SO
	STRIPE A, RH.BODY COVER(S/ORANGE)	87131-SE7-RZ00-SO
	STRIPE B, RH.BODY COVER(S/ORANGE)	87125-SE7-RZ00-SO
6	CARRIER, RR	81200-SE1-0000

ENGINE GROUP

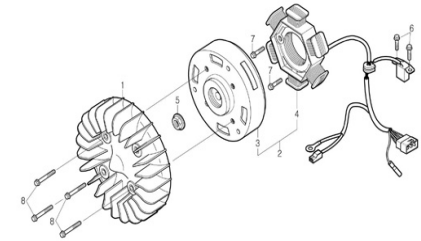
E-01 FAN COVER / SHROUD



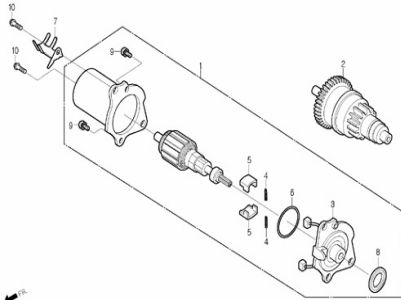
E-02 CYLINDER / CYLINDER HEAD



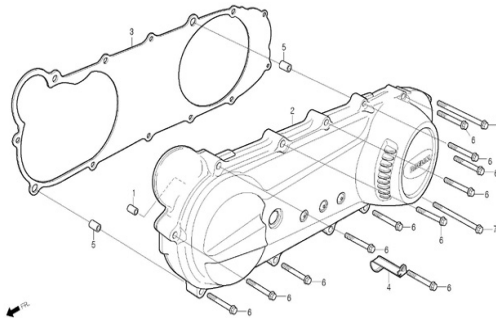
E-03 GENERATOR / COOLING FAN



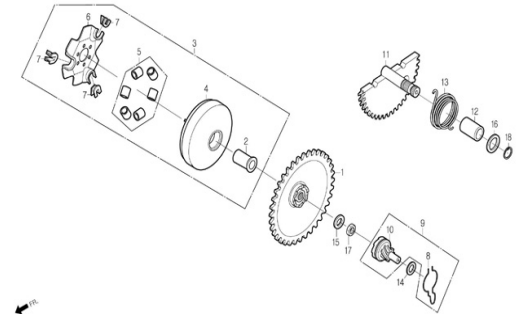
E-04 STARTING MOTOR



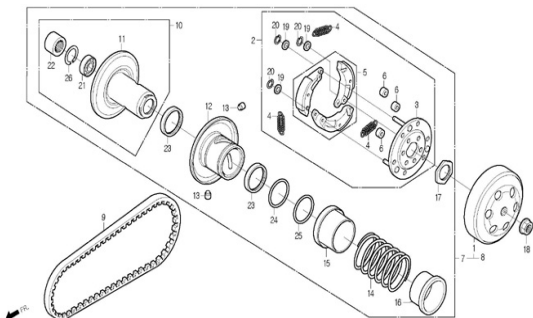
E-05 LEFT SIDE COVER



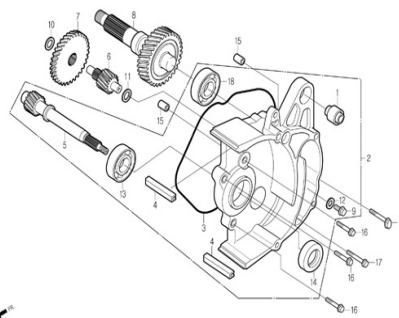
E-06 DRIVE FACE / KICK STARTER SPINDLE



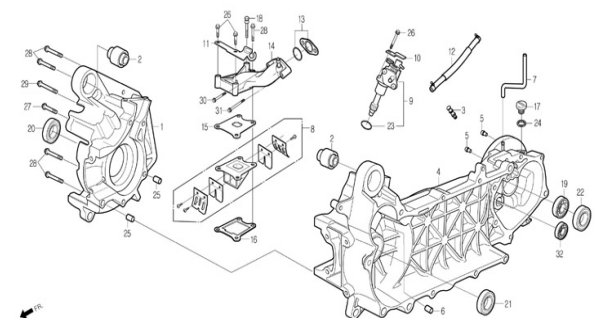
E-07 DRIVEN FACE



E-08 TRANSMISSION



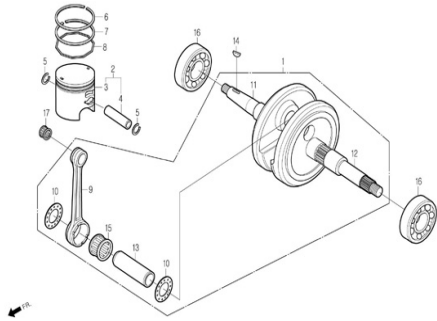
E-09 CRANK CASE / OIL PUMP



ENGINE GROUP

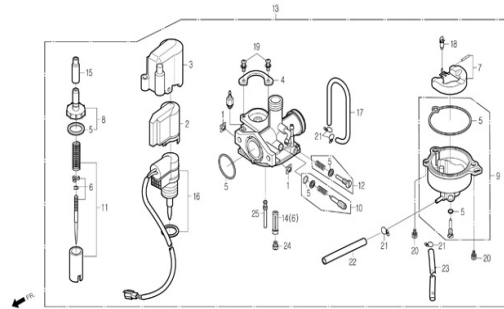
E-10

CRANK SHAFT / PISTON



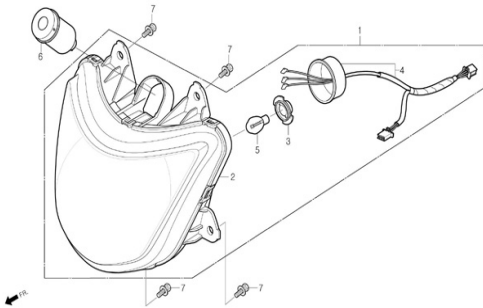
E-11

CARBURETOR

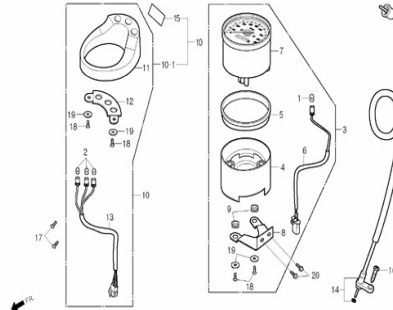


FRAME GROUP

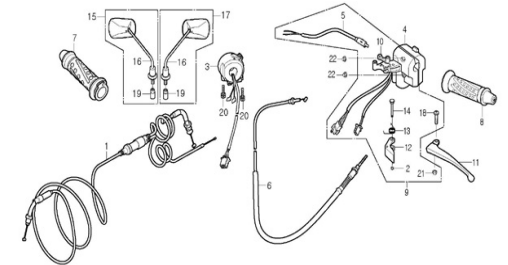
F-01 HEADLIGHT



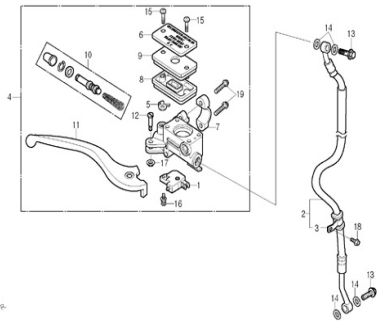
F-02 SPEEDOMETER / PILOT BOX



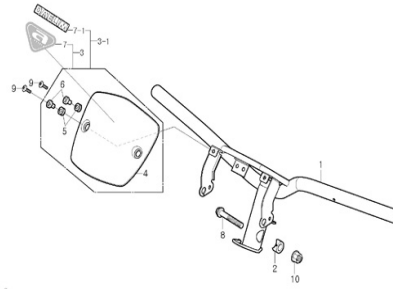
F-03 HANDLE LEVER / SWITCH / CABLE



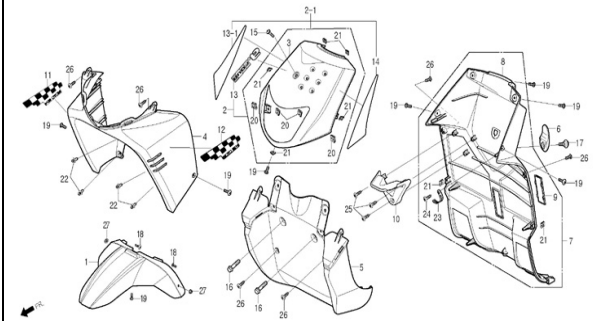
F-04 FRONT BRAKE MASTER CYLINDER



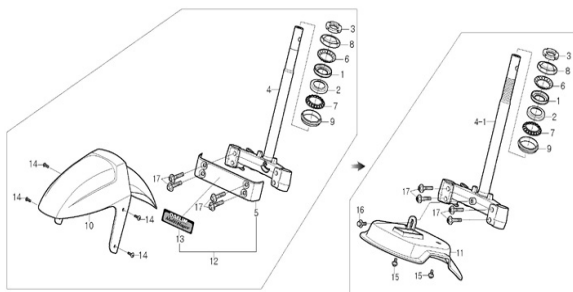
F-05 HANDLE PIPE / WIND SCREEN



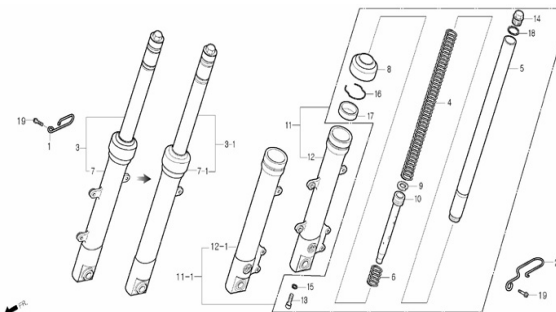
F-06 FRONT COVER



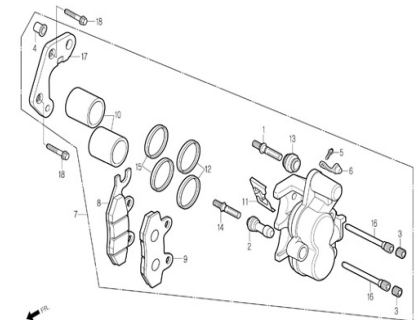
F-07 FRONT FENDER / STEERING STEM



F-08 FRONT FORK



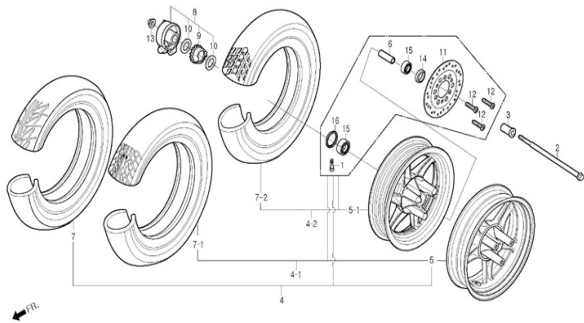
F-09 FRONT BRAKE CALIPER



FRAME GROUP

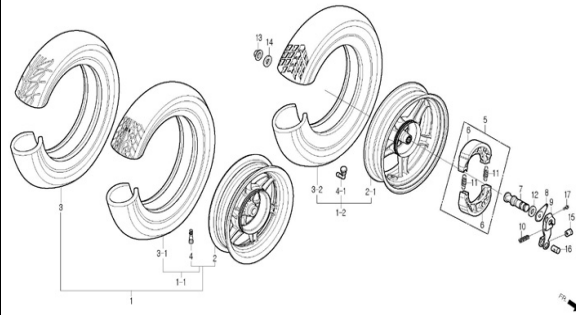
F-10

FRONT WHEEL



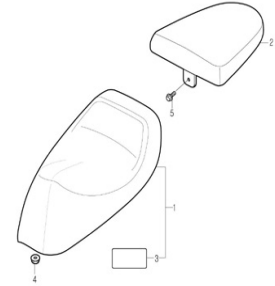
F-11

REAR WHEEL



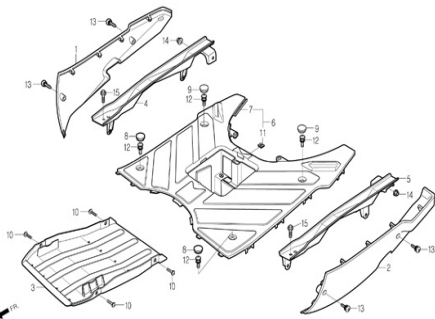
F-12

SEAT



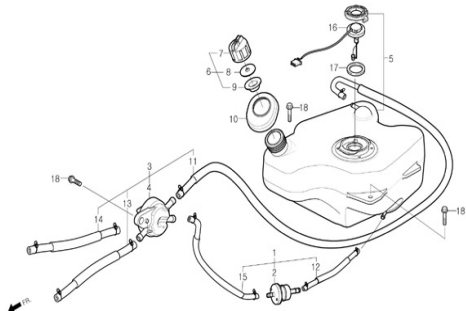
F-13

FLOOR PANEL



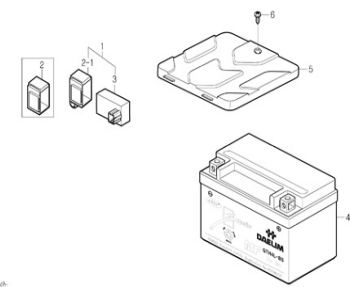
F-14

FUEL TANK



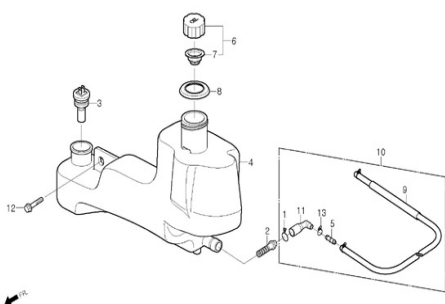
F-15

BATTERY



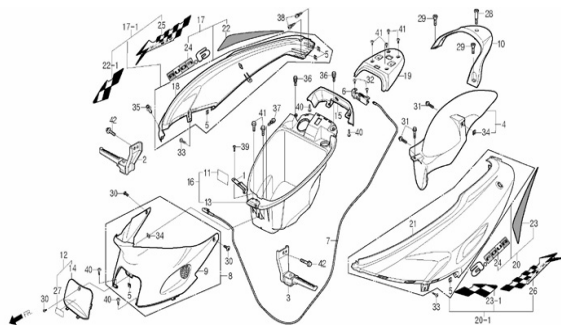
F-16

OIL TANK



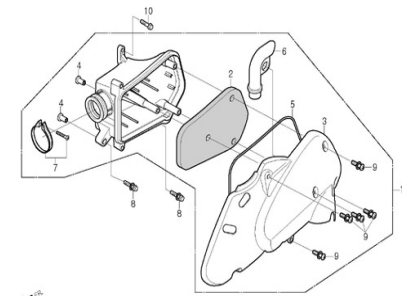
F-17

BODY COVER / LUGGAGE BOX



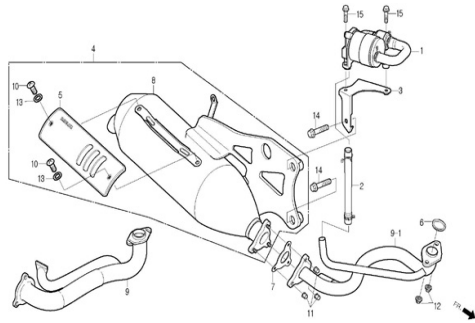
F-18

AIR CLEANER

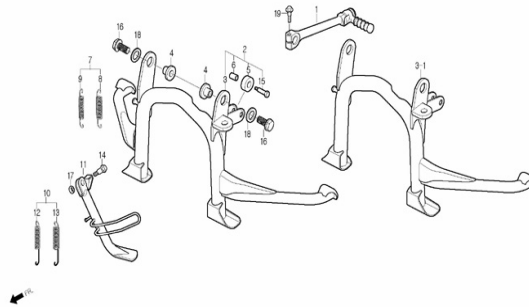


FRAME GROUP

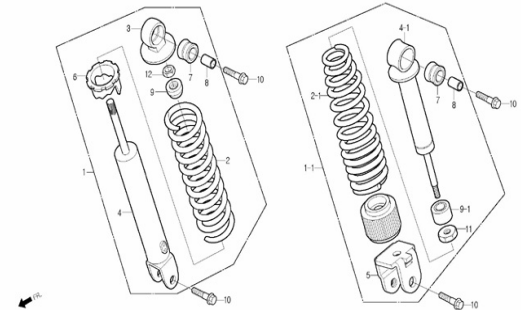
F-19 EXHAUST MUFFLER



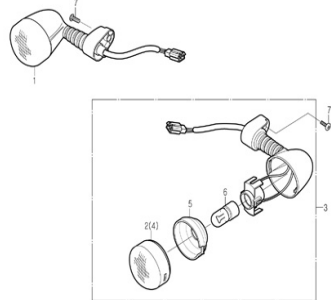
F-20 STAND



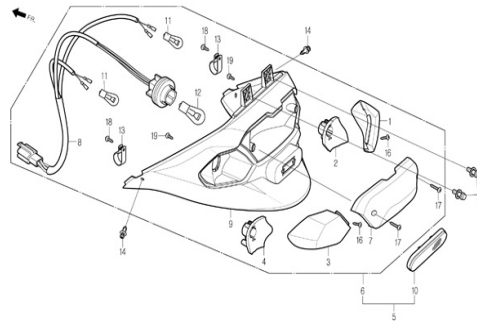
F-21 REAR CUSHION



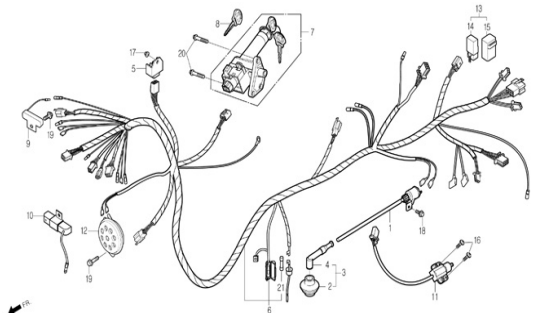
F-22 FRONT WINKER



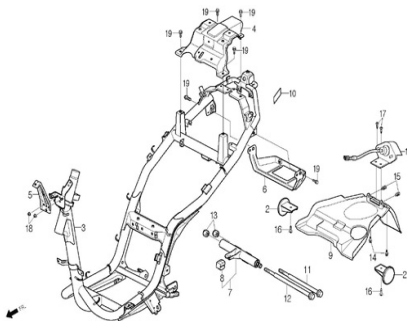
F-23 REAR COMBI. LIGHT



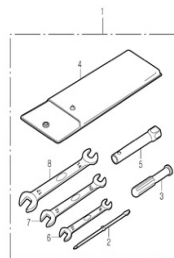
F-24 WIRE HARNESS



F-25 FRAME BODY

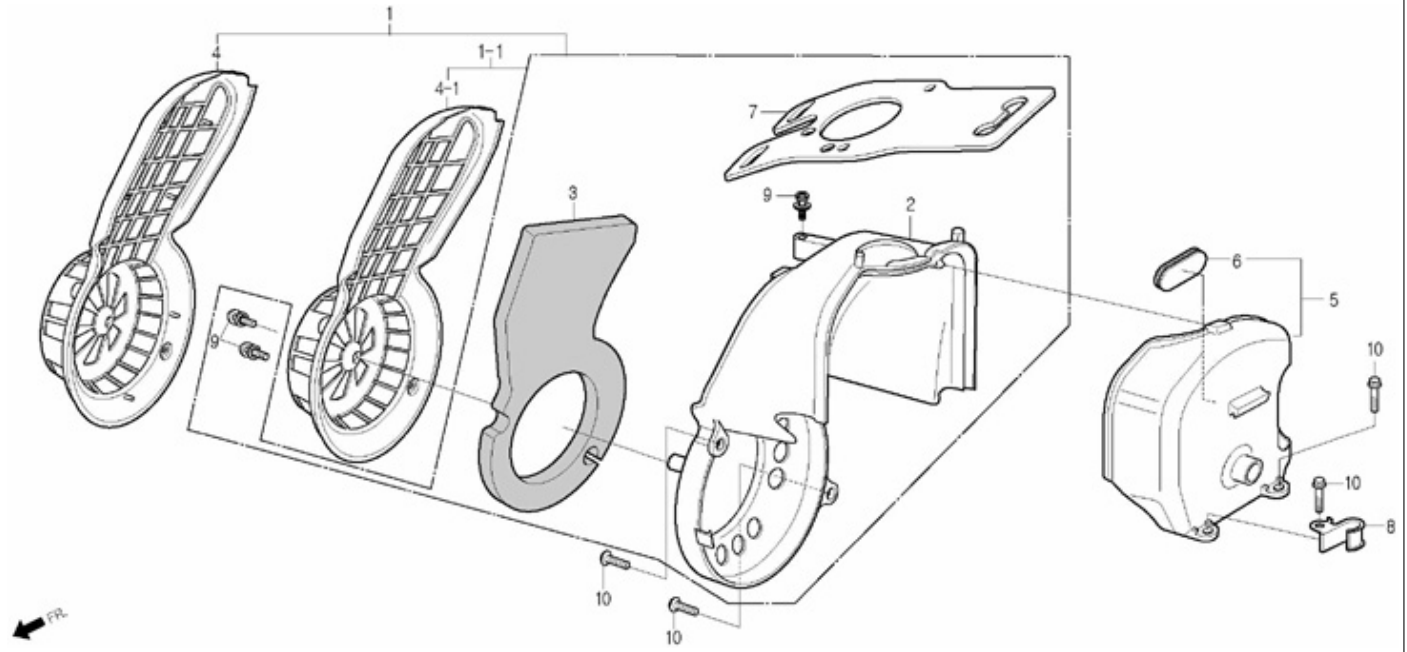


F-26 TOOL



E-01

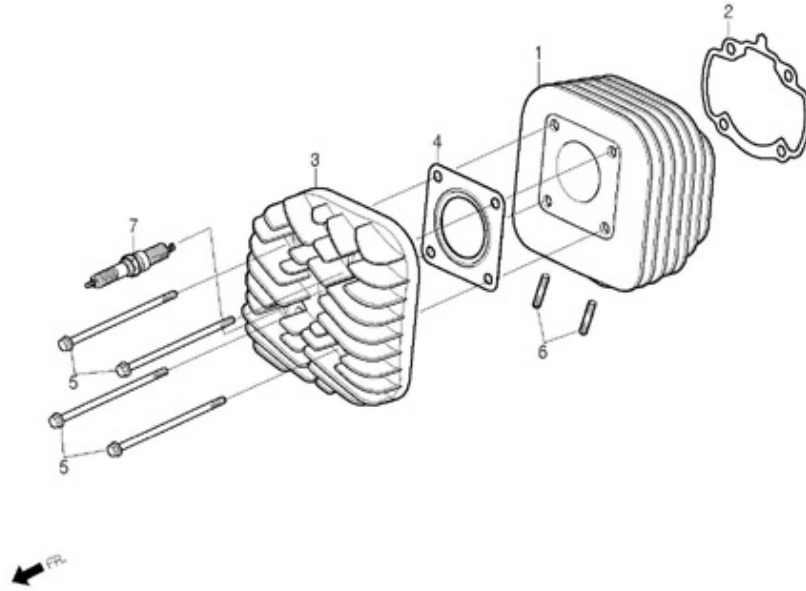
FAN COVER / SHROUD



Service item	FRT	Ref. No.	Part No.	Description	QTY	A/S	Exch	Start Date	Start FRM.No	End FRM.No
COVER ASS'Y, FAN SHROUD COMP.	0.5 1.0	1	19600-SE1-0000	COVER ASS'Y, FAN	1	N	Y	20050509	KMYSE1B4R5C000001	KMYSE1B4R7C000846
		1-1	19600-SE1-0010	COVER ASS'Y, FAN	1	Y		20070501	KMYSE1B4R7C000847	
		2	19610-SE1-0000	COVER COMP., FAN	1	N		20050509	KMYSE1B4R5C000001	
		3	19614-SE1-0000	ELEMENT B, FAN COVER	1	N		20050509	KMYSE1B4R5C000001	
		4	19615-SE1-0000	COVER COMP., FAN COVER	1	N	Y	20050509	KMYSE1B4R5C000001	KMYSE1B4R7C000846
		4-1	19615-SE1-0010	COVER COMP., FAN COVER	1	Y		20070501	KMYSE1B4R7C000847	
		5	19620-SE1-0000	SHROUD COMP.	1	Y		20050509	KMYSE1B4R5C000001	
		6	19622-SE1-0000	SEAL, SHROUD	1	N		20050509	KMYSE1B4R5C000001	
		7	19625-SE1-0000-H1	RUBBER, FAN COVER	1	N		20050509	KMYSE1B4R5C000001	
		8	43453-SE1-0000	CLAMP B, RR.BRAKE CABLE	1	Y		20050509	KMYSE1B4R5C000001	
		9	S3891-05012-07	SCREW, WASHER 5x12	3	N		20050509	KMYSE1B4R5C000001	
		10	S6001-06016-00	BOLT, FLANGE SH.6x16	4	Y		20050509	KMYSE1B4R5C000001	

E-02

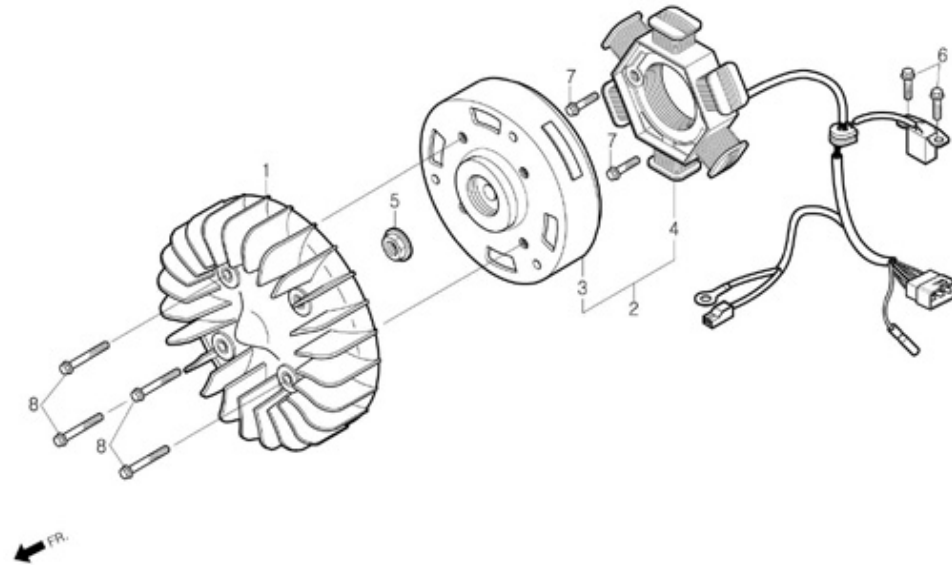
CYLINDER / CYLINDER HEAD



Service item	FRT	Ref. No.	Part No.	Description	QTY	A/S	Exch	Start Date	Start FRM.No	End FRM.No
CYLINDER A	1.2	1	12101-SE1-RZ00	CYLINDER A	1	Y		20050509	KMYSE1B4R5C000001	
GASKET, CYLINDER HEAD, CYLINDER	1.0	2	12191-SE1-RB00	GASKET, CYLINDER	1	Y		20050509	KMYSE1B4R5C000001	
GASKET, CYLINDER HEAD	0.8	3	12201-SE1-0000	HEAD, CYLINDER	1	Y		20050509	KMYSE1B4R5C000001	
BOLT, STUD 6x28 (ADD 0.1 FOR EACH)	0.4	4	12251-SE5-0000	GASKET, CYLINDER HEAD	1	Y		20050509	KMYSE1B4R5C000001	
PLUG, SPARK	0.1	5	90001-SE5-0000	BOLT, FLANGE 6x95	4	Y		20050509	KMYSE1B4R5C000001	
		6	S2700-06028-1B	BOLT, STUD 6x28	2	Y		20050509	KMYSE1B4R5C000001	
		7	S8076-5871G-00	PLUG, SPARK(BR8HSA)	1	Y		20050509	KMYSE1B4R5C000001	

E-03

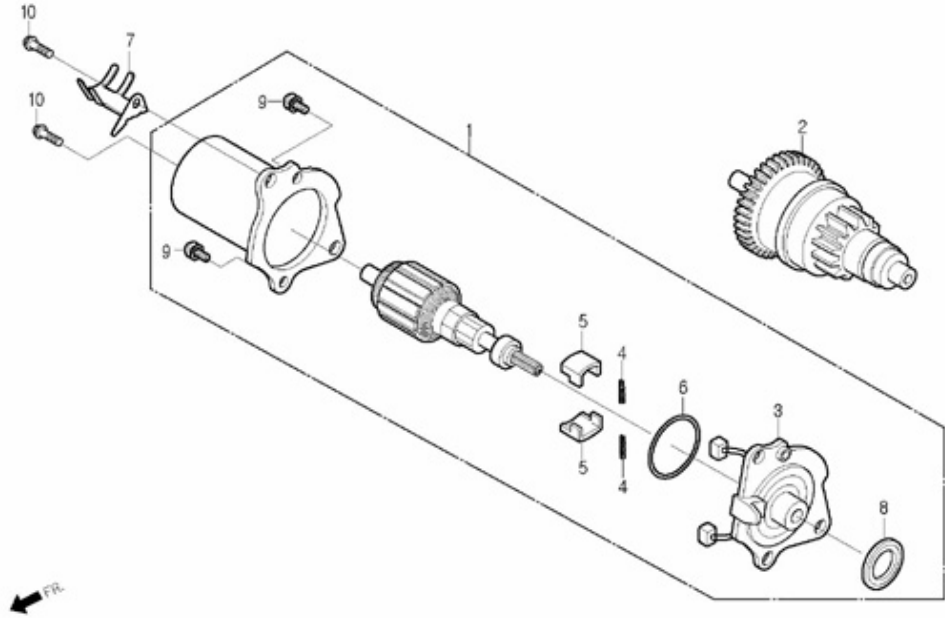
GENERATOR / COOLING FAN



Service item	FRT	Ref. No.	Part No.	Description	QTY	A/S	Exch	Start Date	Start FRM.No	End FRM.No
FAN COMP., COOLING	0.6	1	19510-SE1-0000	FAN COMP., COOLING	1	Y		20050509	KMYSE1B4R5C000001	
A.C GENERATOR ASS'Y	0.8	2	31100-SE1-0000	GENERATOR ASS'Y, A.C	1	N	Y	20050509	KMYSE1B4R5C000001	KMYSE1B4R6C000373
STATOR COMP.	0.6		31100-SE1-0010	GENERATOR ASS'Y, A.C	1	Y		20060403	KMYSE1B4R6C000374	
FLYWHEEL COMP.		3	31110-SE1-0000	FLYWHEEL COMP.	1	N		20050509	KMYSE1B4R5C000001	
		4	31120-SE1-0000	STATOR COMP.	1	N	Y	20050509	KMYSE1B4R5C000001	KMYSE1B4R6C000373
			31120-SE1-0010	STATOR COMP.	1	Y		20060403	KMYSE1B4R6C000374	
		5	S4050-10080	NUT, FLANGE 10 mm	1	Y		20050509	KMYSE1B4R5C000001	
		6	S6001-06012-00	BOLT, FLANGE SH.6x12	2	Y		20050509	KMYSE1B4R5C000001	
		7	S6001-06018-00	BOLT, FLANGE SH.6x18	2	Y		20050509	KMYSE1B4R5C000001	
		8	S6001-06025-00	BOLT, FLANGE SH.6x25	4	Y		20050509	KMYSE1B4R5C000001	

E-04

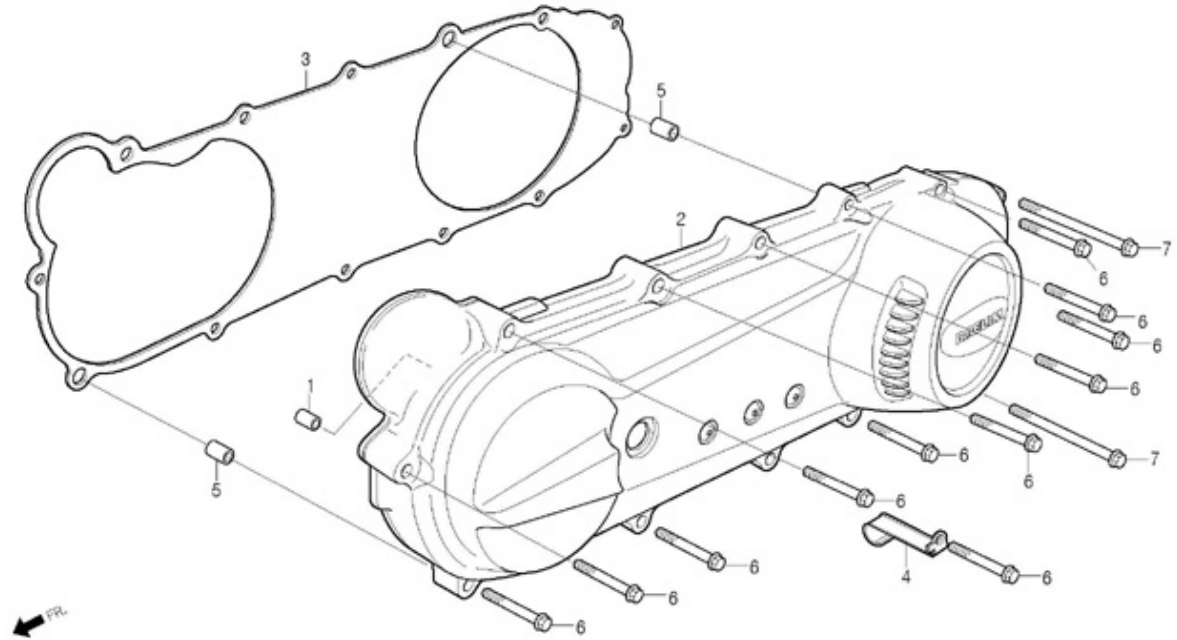
STARTING MOTOR



Service item	FRT	Ref. No.	Part No.	Description	QTY	A/S	Exch	Start Date	Start FRM.No	End FRM.No
MOTOR UNIT, STARTER	0.5	1	31200-SE5-9000	MOTOR UNIT, STARTER	1	Y		20050509	KMYSE1B4R5C000001	
PINION ASS'Y, STARTER	0.5	2	31209-SE5-0150	PINION ASS'Y, STARTER	1	Y		20050509	KMYSE1B4R5C000001	
BRACKET, FR.	0.7	3	31213-SE5-9000	BRACKET, FR.	1	N		20050509	KMYSE1B4R5C000001	
		4	31214-SE5-9000	SPRING, BRUSH	2	N		20050509	KMYSE1B4R5C000001	
		5	31215-SE5-9000	HOLDER, BRUSH	2	N		20050509	KMYSE1B4R5C000001	
		6	31217-SE5-9000	PACKING	1	N		20050509	KMYSE1B4R5C000001	
		7	32964-SC1-0200	CLAMP., CORD	1	Y		20050509	KMYSE1B4R5C000001	
		8	91309-SE5-9000	GASKET, STARTER MOTOR	1	Y		20050509	KMYSE1B4R5C000001	
		9	S3892-04008-08	SCREW, WASHER 4x8	2	N		20050509	KMYSE1B4R5C000001	
		10	S6001-06016-00	BOLT, FLANGE SH.6x16	2	Y		20050509	KMYSE1B4R5C000001	

E-05

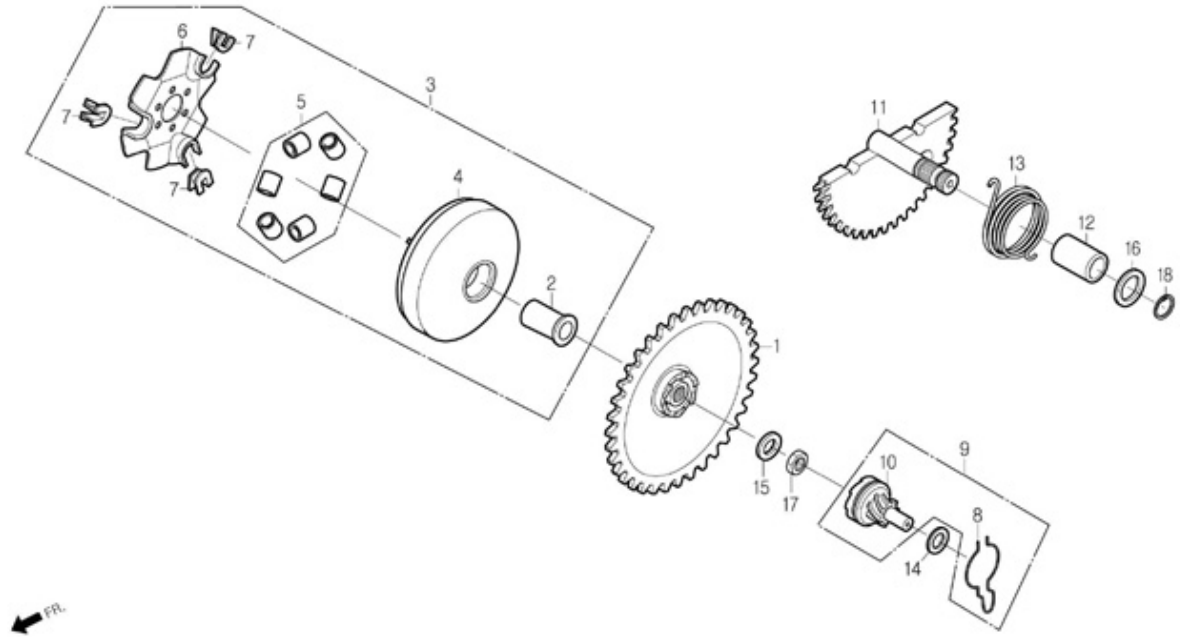
LEFT SIDE COVER



Service item	FRT	Ref. No.	Part No.	Description	QTY	A/S	Exch	Start Date	Start FRM.No	End FRM.No
COVER COMP., LH.SIDE GASKET, LH.SIDE COVER	0.5	1	11205-SE5-7610-M1	BUSH 8x12x8	1	Y		20050509	KMYSE1B4R5C000001	
	0.5	2	11340-SE1-0000 11340-SE3-0000	COVER COMP., LH.SIDE(SILVER) COVER COMP., LH.SIDE(BLACK)	1 1	Y Y	N	20050509 20071022	KMYSE1B4R5C000001 KMYSE1B4R8C001100	KMYSE1B4R8C001099
		3	11395-SE1-RB00	GASKET, LH.SIDE COVER	1	Y		20050509	KMYSE1B4R5C000001	
		4	43452-SE1-0000	CLAMP, RR.BRAKE CABLE	1	Y		20050509	KMYSE1B4R5C000001	
		5	S4301-10160	PIN, DOWEL 10x16	2	Y		20050509	KMYSE1B4R5C000001	
		6	S6001-06040-00	BOLT, FLANGE SH.6x40	11	Y		20050509	KMYSE1B4R5C000001	
		7	S6001-06080-00	BOLT, FLANGE SH.6x80	2	Y		20050509	KMYSE1B4R5C000001	

E-06

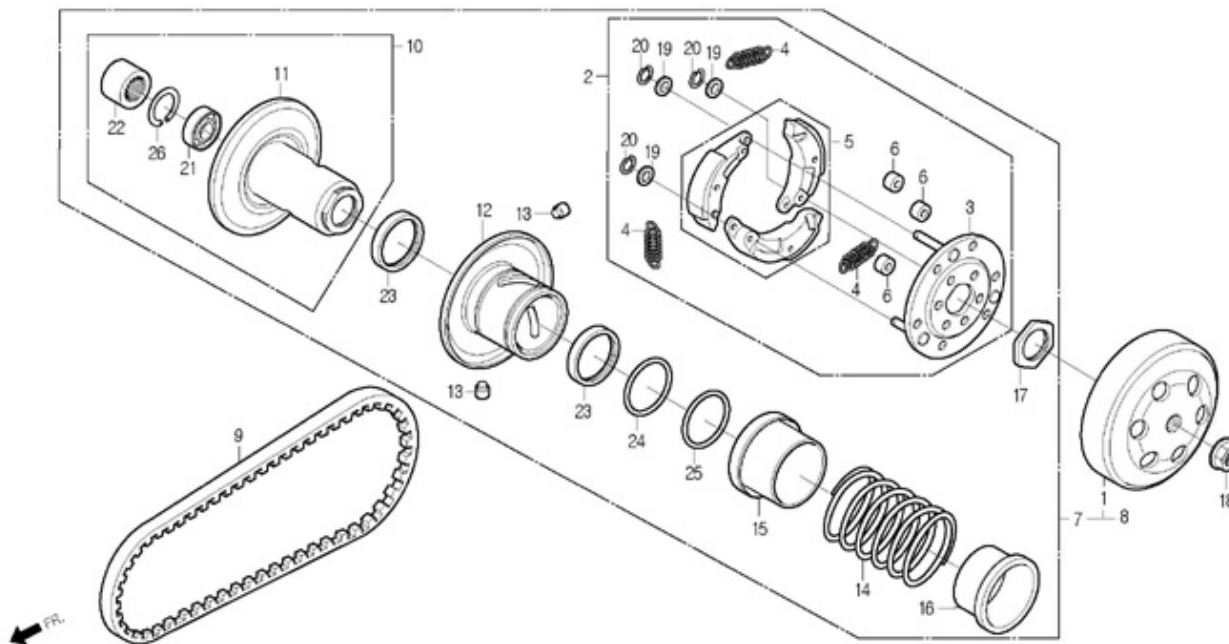
DRIVE FACE / KICK STARTER SPINDLE



Service item	FRT	Ref. No.	Part No.	Description	QTY	A/S	Exch	Start Date	Start FRM.No	End FRM.No
FACE COMP., DRIVE	0.6	1	22102-SE6-7210-M1	FACE COMP., DRIVE	1	Y		20050509	KMYSE1B4R5C000001	
FACE COMP., MOVABLE DRIVE	0.8	2	22105-SE1-RB00	BOSS, DRIVE FACE	1	N		20050509	KMYSE1B4R5C000001	
ROLLER COMP., WEIGHT (ONE OR ALL)	0.4	3	2211A-SE1-RZ00	FACE ASS'Y, MOVABLE DRIVE	1	Y		20030602	KMYSE1B4R5C000001	
(INCLUDE RELATIVE PARTS)	0.5	4	22110-SE5-0000	FACE COMP., MOVABLE DRIVE	1	N		20050509	KMYSE1B4R5C000001	
GEAR COMP., KICK DRIVEN		5	22121-SC1-0000	ROLLER COMP., WEIGHT(12g)	6	Y		20050509	KMYSE1B4R5C000001	
SPINDLE COMP., KICK STARTER		6	22131-SE1-RZ00	PLATE, RAMP	1	N		20050509	KMYSE1B4R5C000001	
SPRING, KICK RETURN		7	22132-SE5-0000	PIECE, SLIDE	3	Y		20050509	KMYSE1B4R5C000001	
		8	28223-SE1-0000	SPRING, STARTER GEAR FRICTION	1	N		20050509	KMYSE1B4R5C000001	
		9	2823A-SE1-0000	GEAR ASS'Y, KICK DRIVEN	1	Y		20050509	KMYSE1B4R5C000001	
		10	28230-SE1-0000	GEAR COMP., KICK DRIVEN	1	N		20050509	KMYSE1B4R5C000001	
		11	28250-SE5-6010	SPINDLE COMP., KICK STARTER	1	Y		20050509	KMYSE1B4R5C000001	
		12	28253-SE5-6010-M1	BUSH, KICK SPINDLE	1	Y		20050509	KMYSE1B4R5C000001	
		13	28281-SE5-6020-M1	SPRING, KICK RETURN	1	Y		20050509	KMYSE1B4R5C000001	
		14	90412-BA6-0000	WASHER, THRUST 10mm	1	Y		20050509	KMYSE1B4R5C000001	
		15	90426-SC1-9000	WASHER, SPECIAL 12mm	1	Y		20050509	KMYSE1B4R5C000001	
		16	90451-SE5-6000	WASHER, KICK SPINDLE	1	Y		20050509	KMYSE1B4R5C000001	
		17	S4001-12200-0S	NUT, HEX 12mm	1	Y		20050509	KMYSE1B4R5C000001	
		18	S4511-14000	CIR CLIP, EXTERNAL 14mm	1	Y		20050509	KMYSE1B4R5C000001	

E-07

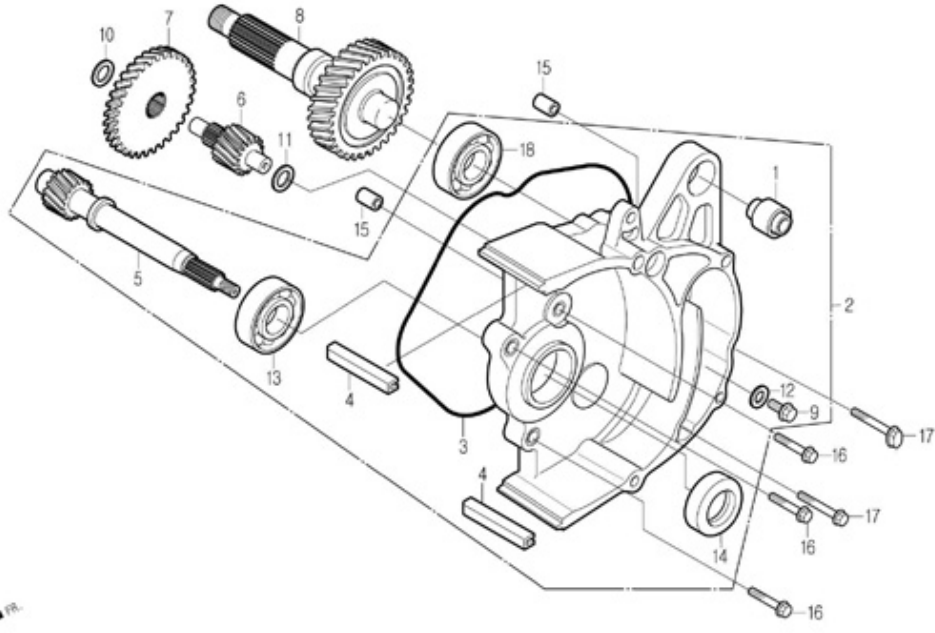
DRIVEN FACE



Service item	FRT	Ref. No.	Part No.	Description	QTY	A/S	Exch	Start Date	Start FRM.No	End FRM.No
		22	91103-SE5-0030	BEARING, NEEDLE 17x25x18 WS	1	N		20050509	KMYSE1B4R5C000001	
		23	91211-SE5-0130	SEAL, OIL 34x39x3	2	Y		20050509	KMYSE1B4R5C000001	
		24	91351-SE5-1000	O-RING 38.5x2	1	Y		20050509	KMYSE1B4R5C000001	
		25	91351-SE5-0000	O-RING, PINION CAP	1	Y		20050509	KMYSE1B4R5C000001	
		26	S4520-24000	CIR CLIP, INTERNAL 24	1	N		20050509	KMYSE1B4R5C000001	

E-08

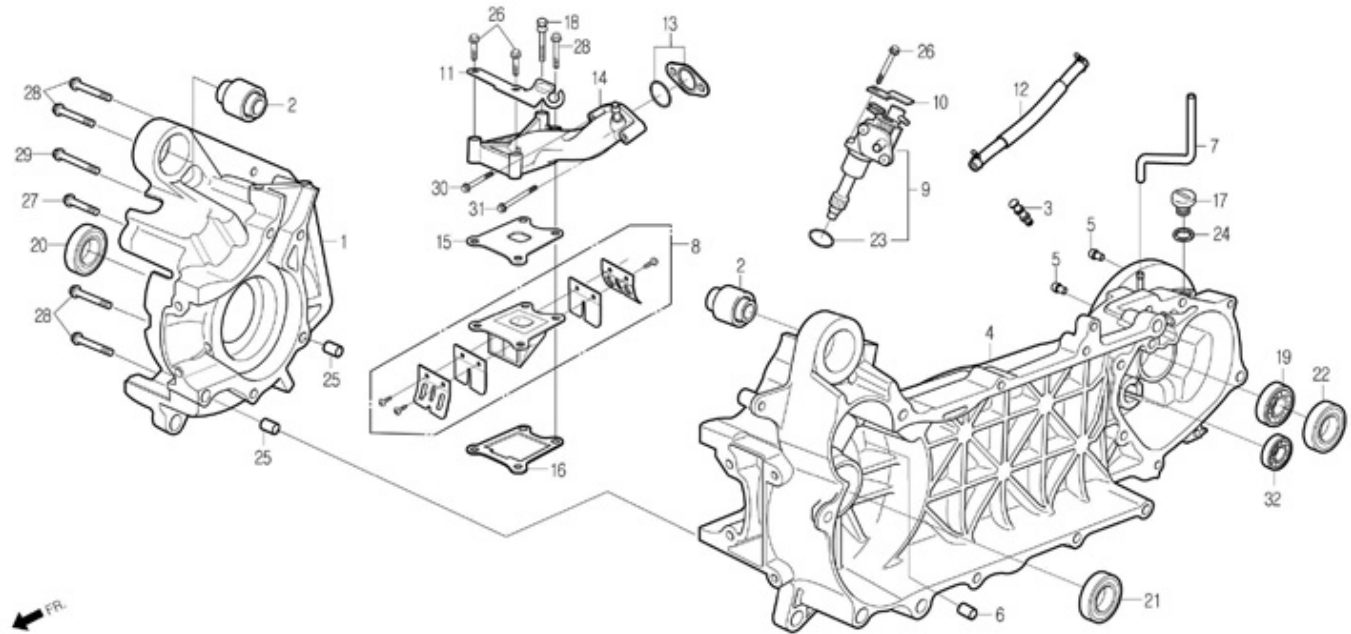
TRANSMISSION



Service item	FRT	Ref. No.	Part No.	Description	QTY	A/S	Exch	Start Date	Start FRM.No	End FRM.No
COVER ASS'Y, MISSION	0.8	1	11204-SA1-0000	BUSH, RR.CUSHION UNDER RUBBER	1	Y		20050509	KMYSE1B4R5C000001	
SEAL, MISSION COVER	0.6	2	2130A-SE1-0000	COVER ASS'Y, MISSION	1	Y		20050509	KMYSE1B4R5C000001	
SEAL, OIL 17x30x5	0.7	3	21395-SE1-0000	SEAL, MISSION COVER	1	Y		20050509	KMYSE1B4R5C000001	
SHAFT, DRIVE	0.9	4	21396-SE1-0000	GUIDE RUBBER, MISSION COVER	2	Y		20050509	KMYSE1B4R5C000001	
SHAFT, COUNTER	0.5	5	23411-SE1-0000	SHAFT, DRIVE	1	Y		20020501	KMYSE1B4R5C000001	
GEAR, COUNTER		6	23421-SE1-0000	SHAFT, COUNTER	1	Y		20050509	KMYSE1B4R5C000001	
BEARING, BALL 6202		7	23422-SE1-0000	GEAR, COUNTER	1	Y		20050509	KMYSE1B4R5C000001	
BEARING, RADIAL BALL 6203		8	23430-SE1-0000	GEAR COMP., FINAL	1	Y		20050509	KMYSE1B4R5C000001	
GEAR COMP., FINAL		9	90035-SE5-0000	BOLT, CHECK	1	Y		20050509	KMYSE1B4R5C000001	
BUSH, RR.CUSHION UNDER RUBBER		10	90429-SE5-0030	WASHER, SIDE 14mm	1	Y		20050509	KMYSE1B4R5C000001	
		11	90454-SE5-0000	WASHER, THRUST 14mm	1	Y		20050509	KMYSE1B4R5C000001	
		12	90481-CB2-0000	WASHER 8mm	1	Y		20050509	KMYSE1B4R5C000001	
		13	91004-SC1-7010-M1	BEARING, RADIAL BALL 6203(TMB)	1	N		20050509	KMYSE1B4R5C000001	
		14	91204-SE5-0050	SEAL, OIL 17x30x5	1	Y		20050509	KMYSE1B4R5C000001	
		15	S4301-10160	PIN, DOWEL 10x16	2	Y		20050509	KMYSE1B4R5C000001	
		16	S6001-06028-00	BOLT, FLANGE SH.6x28	3	Y		20050509	KMYSE1B4R5C000001	
		17	S6001-06035-00	BOLT, FLANGE SH.6x35	2	Y		20050509	KMYSE1B4R5C000001	
		18	S6100-62023-00	BEARING, BALL 6202	1	N		20050509	KMYSE1B4R5C000001	

E-09

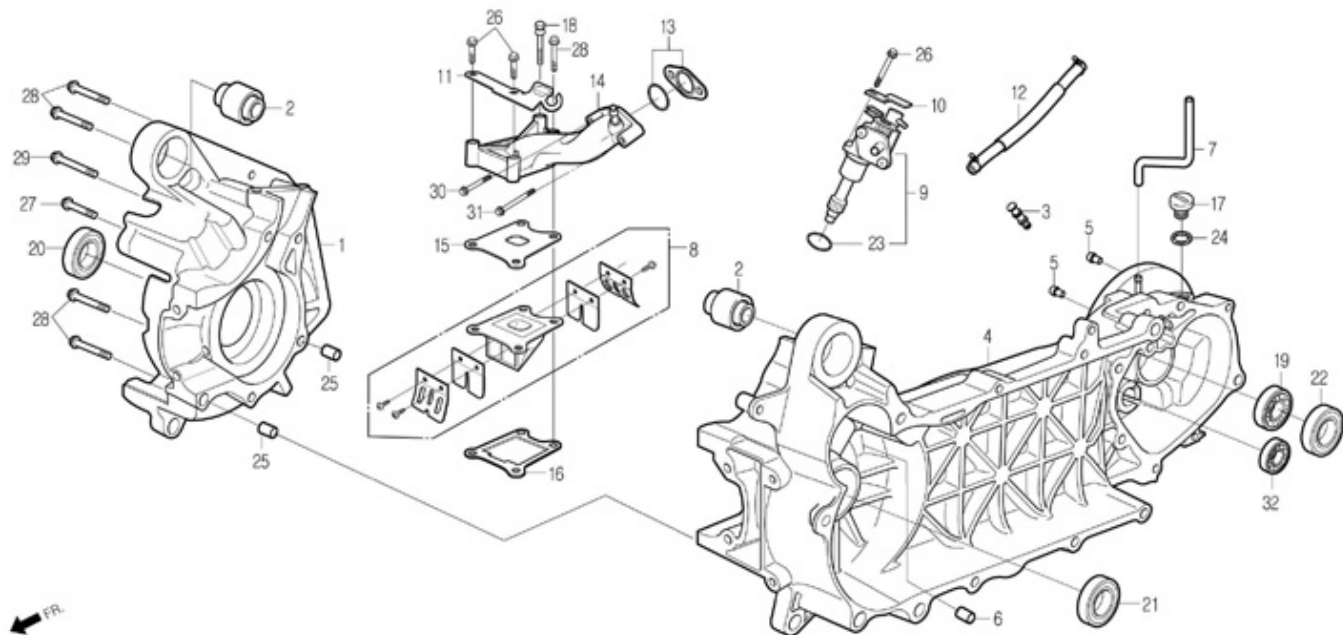
CRANK CASE / OIL PUMP



Service item	FRT	Ref. No.	Part No.	Description	QTY	A/S	Exch	Start Date	Start FRM.No	End FRM.No
CRANK CASE, RH.	2.7	1	11100-SE1-0010	CASE, RH.CRANK	1	Y		20050509	KMYSE1B4R5C000001	
CRANK CASE, LH.	3.6	2	11102-SE5-0040-M1	BUSH, ENGINE HANGER RUBBER	2	Y		20050509	KMYSE1B4R5C000001	
BUSH, ENGINE HANGER RUBBER	0.5									
VALVE COMP., REED	0.8	3	1120A-CB2-0000	PIN ASS'Y, BRAKE SHOE ANCHOR	1	Y		20050509	KMYSE1B4R5C000001	
PUMP ASS'Y, OIL	0.6	4	11200-SE1-0010	CASE, LH.CRANK	1	Y		20050509	KMYSE1B4R5C000001	
PIPE COMP., INLET	0.7									
BEARING, BALL 6201	0.5	5	11202-SE5-3000	RUBBER, SPRING GUIDE	2	Y		20050509	KMYSE1B4R5C000001	
INSULATOR, CARBURETOR	1.0									
O-RING 18.3x2.3	0.9									
BEARING, RADIAL BALL 6004UU		6	11205-SE5-7610-M1	BUSH 8x12x8	1	Y		20050509	KMYSE1B4R5C000001	
SEAL, OIL 30x42x7		7	11211-SE1-0000	TUBE, BREATHER	1	Y		20050509	KMYSE1B4R5C000001	
SEAL, OIL 15.6x25.5x7 (SIDE, LH.2.8)		8	14100-SE1-0030	VALVE COMP., REED	1	Y		20050509	KMYSE1B4R5C000001	
		9	15100-SE1-0000	PUMP ASS'Y, OIL	1	Y		20050509	KMYSE1B4R5C000001	
		10	15111-SE1-0000	PLATE, OIL PUMP SETTING	1	Y		20050509	KMYSE1B4R5C000001	
		11	15113-SE1-0000	PLATE, OIL PUMP ANCHOR	1	Y		20050509	KMYSE1B4R5C000001	
		12	1552A-SE1-0010	TUBE ASS'Y, OIL PASS	1	Y		20050509	KMYSE1B4R5C000001	
		13	1621A-SE5-0000	INSULATOR ASS'Y, CARBURETOR	1	Y		20050509	KMYSE1B4R5C000001	
		14	17100-SE1-RZ00	PIPE COMP., INLET	1	Y		20050509	KMYSE1B4R5C000001	
		15	17111-SE1-RB00	GASKET, INLET PIPE A	1	Y		20050509	KMYSE1B4R5C000001	
		16	17112-SE1-RB00	GASKET, INLET PIPE B	1	Y		20050509	KMYSE1B4R5C000001	
		17	90084-CB2-8300	CAP, A.C GENERATOR	1	Y		20050509	KMYSE1B4R5C000001	
		18	90086-SB1-0000-EU	BOLT, INLET PIPE SPECIAL	1	Y		20050509	KMYSE1B4R5C000001	
		19	91009-SC1-0030	BEARING, RADIAL BALL 6004UU	1	Y		20050509	KMYSE1B4R5C000001	
		20	91201-SE1-0000	SEAL, OIL 15.6x25.5x7	1	Y		20050509	KMYSE1B4R5C000001	
		21	91202-SE1-0000	SEAL, OIL 19.4x31x7	1	Y		20050509	KMYSE1B4R5C000001	

E-09

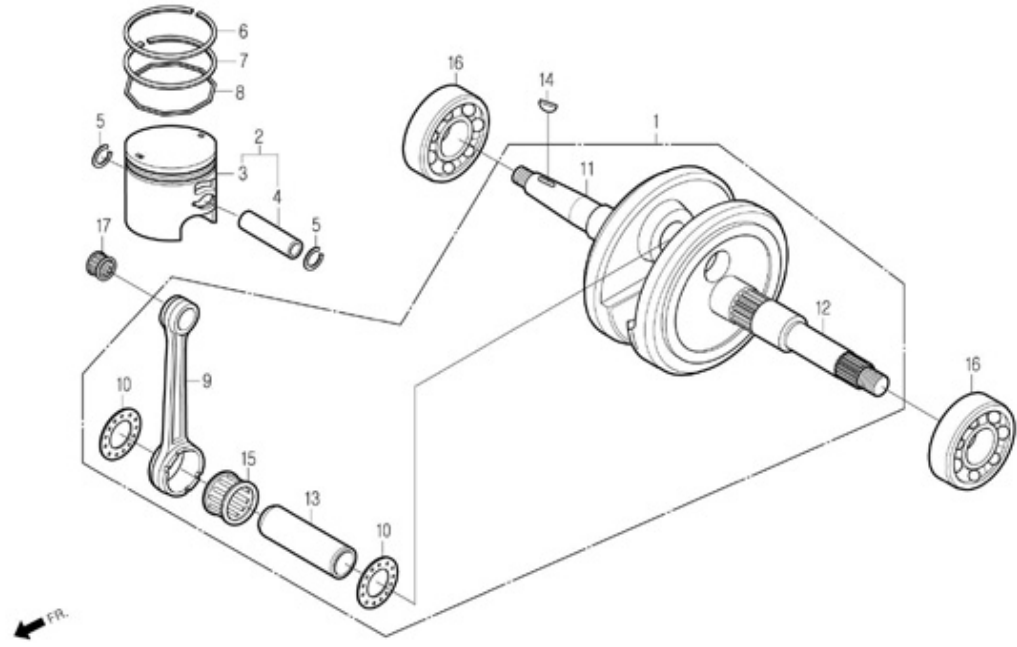
CRANK CASE / OIL PUMP



Service item	FRT	Ref. No.	Part No.	Description	QTY	A/S	Exch	Start Date	Start FRM.No	End FRM.No
		22	91204-SA1-0000	SEAL, OIL 30x42x7	1	Y		20050509	KMYSE1B4R5C000001	
		23	91301-BA6-0000	O-RING 18.3x2.3	1	N		20050509	KMYSE1B4R5C000001	
		24	91303-CB2-1000	O-RING 13.8x2.5	1	Y		20050509	KMYSE1B4R5C000001	
		25	90701-SE5-0000	PIN, DOWEL 8x20	2	Y		20050509	KMYSE1B4R5C000001	
		26	S6001-06032-00	BOLT, FLANGE SH.6x32	3	Y		20050509	KMYSE1B4R5C000001	
		27	S6001-06035-00	BOLT, FLANGE SH.6x35	1	Y		20050509	KMYSE1B4R5C000001	
		28	S6001-06045-00	BOLT, FLANGE SH.6x45	5	Y		20050509	KMYSE1B4R5C000001	
		29	S6001-06050-00	BOLT, FLANGE SH.6x50	1	Y		20050509	KMYSE1B4R5C000001	
		30	S6001-06065-00	BOLT, FLANGE SH. 6X65	1	Y		20050509	KMYSE1B4R5C000001	
		31	S6001-06080-00	BOLT, FLANGE SH.6x80	1	Y		20050509	KMYSE1B4R5C000001	
		32	S6100-62013-00	BEARING, BALL 6201	1	Y		20050509	KMYSE1B4R5C000001	

E-10

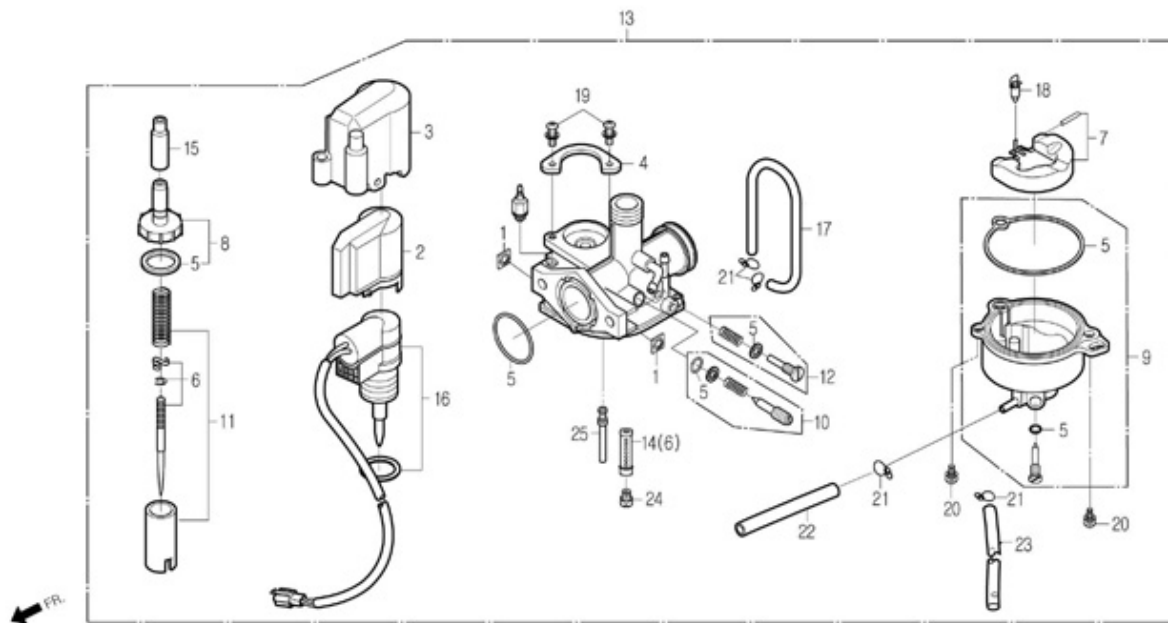
CRANK SHAFT / PISTON



Service item	FRT	Ref. No.	Part No.	Description	QTY	A/S	Exch	Start Date	Start FRM.No	End FRM.No
SHAFT COMP., CRANK	3.0	1	13000-SE1-0000	SHAFT COMP., CRANK	1	Y		20050509	KMYSE1B4R5C000001	
BEARING, RADIAL BALL 20x56x12 (LH.SIDE 2.9)	3.0	2	1310A-SE1-0000	PISTON SET	1	Y		20050509	KMYSE1B4R5C000001	
(ADD 0.2 FOR EACH)	1.2	3	13101-SE1-0000	PISTON	1	Y		20050509	KMYSE1B4R5C000001	
PISTON SET	3.0	4	13111-SE5-0000	PIN, PISTON	1	Y		20050509	KMYSE1B4R5C000001	
PISTON		5	13115-SE5-0000	CLIP, PISTON PIN 12mm	2	Y		20050509	KMYSE1B4R5C000001	
PIN, PISTON		6	13121-SE5-0000	RING, PISTON TOP	1	Y		20050509	KMYSE1B4R5C000001	
ROD, CONNECTING		7	13131-SE5-0000	RING, PISTON 2ND	1	Y		20050509	KMYSE1B4R5C000001	
(INCLUDE RELATIVE PARTS)		8	13136-SE5-0000	EXPANDER	1	Y		20050509	KMYSE1B4R5C000001	
		9	13201-SE1-0000	ROD, CONNECTING	1	N		20050509	KMYSE1B4R5C000001	
		10	13202-SE5-0030-H1	PLATE, CONNECTING ROD SIDE	2	N		20050509	KMYSE1B4R5C000001	
		11	13311-SE1-0000-H1	SHAFT, RH.CRANK	1	N		20050509	KMYSE1B4R5C000001	
		12	13321-SE1-0000-H1	SHAFT, LH.CRANK	1	N		20050509	KMYSE1B4R5C000001	
		13	13381-SE6-7210-Y1	PIN, CRANK	1	N		20050509	KMYSE1B4R5C000001	
		14	90741-CB2-0000	KEY, WOODRUFF 3x5	1	Y		20050509	KMYSE1B4R5C000001	
		15	91002-SE6-9800-H1	BEARING, CONNECTING ROD BIG END	1	N		20050509	KMYSE1B4R5C000001	
		16	91001-SB1-0000	BEARING, RADIAL BALL A 6304SP 20x56x12	2	Y		20050509	KMYSE1B4R5C000001	
		17	91102-SE1-0000-M2	BEARING, CONNECTING ROD SMALL END	1	Y		20050509	KMYSE1B4R5C000001	

E-11

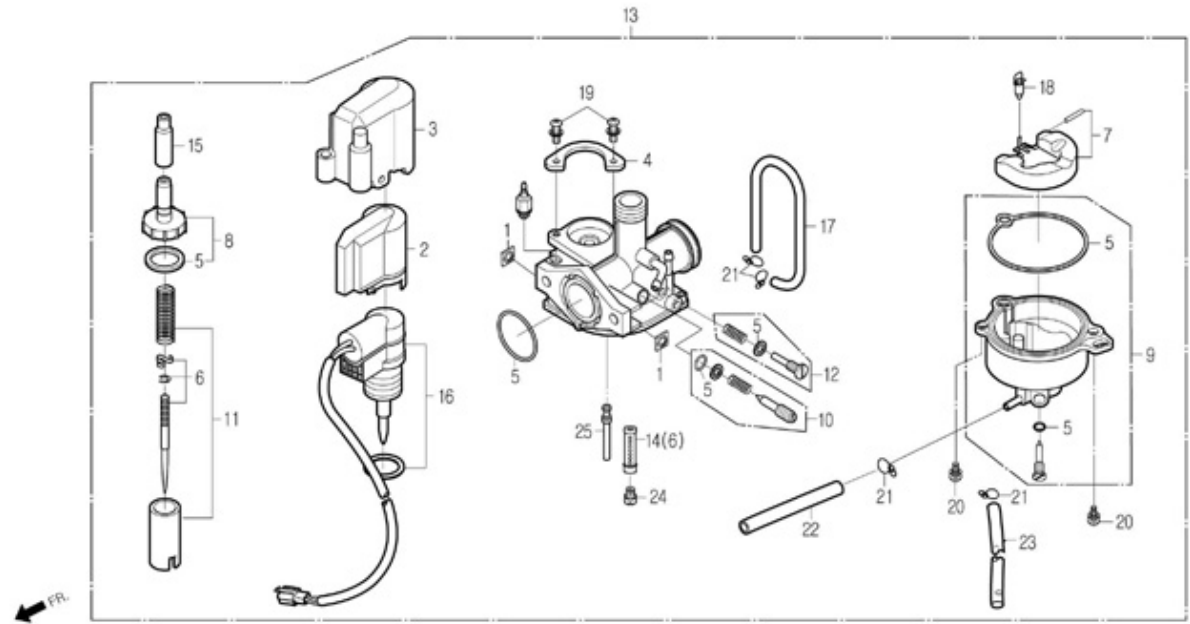
CARBURETOR



Service item	FRT	Ref. No.	Part No.	Description	QTY	A/S	Exch	Start Date	Start FRM.No	End FRM.No
NEEDLE SET, JET	0.7	1	16005-SC1-0000	NUT, SQUARE	2	N		20050509	KMYSE1B4R5C000001	
CARBURETOR ASS'Y	0.6	2	16007-SC1-0000	CAP, HOLDER	1	N		20050509	KMYSE1B4R5C000001	
FLOAT SET	0.5	3	16008-SC1-0000	CAP, OUTER	1	N		20050509	KMYSE1B4R5C000001	
BYSTARTER ASS'Y, AUTO	0.3	4	16009-SC1-0000	PLATE, SETTING	1	N		20050509	KMYSE1B4R5C000001	
VALVE COMP., FLOAT		5	16010-SE5-0000	GASKET SET	1	N		20050509	KMYSE1B4R5C000001	
JET, MAIN		6	16012-SE1-RZ00	NEEDLE SET, JET	1	N		20050509	KMYSE1B4R5C000001	
CHAMBER SET, FLOAT		7	16013-CB2-2040	FLOAT SET	1	N		20050509	KMYSE1B4R5C000001	
VALVE SET, THROTTLE		8	16014-SE5-0030	TOP SET	1	N		20050509	KMYSE1B4R5C000001	
		9	16015-SE5-1000	CHAMBER SET, FLOAT	1	N		20050509	KMYSE1B4R5C000001	
		10	16016-SE5-1000	SCREW SET	1	N		20050509	KMYSE1B4R5C000001	
		11	16022-SE5-8300	VALVE SET, THROTTLE	1	N		20050509	KMYSE1B4R5C000001	
		12	16028-SC1-0030	SCREW SET, STOP	1	N		20050509	KMYSE1B4R5C000001	
		13	16100-SE1-RZ00	CARBURETOR ASS'Y	1	Y		20050509	KMYSE1B4R5C000001	
		14	16102-SE5-1000	JET, NEEDLE	1	N		20050509	KMYSE1B4R5C000001	
		15	16143-SE5-0000	CAP, CABLE SEALING	1	N		20050509	KMYSE1B4R5C000001	
		16	16150-SE5-0000	BYSTARTER ASS'Y, AUTO	1	N		20050509	KMYSE1B4R5C000001	
		17	16161-SE5-0000	TUBE, AIR VENT	1	N		20050509	KMYSE1B4R5C000001	
		18	16170-CB3-0000	VALVE COMP., FLOAT	1	N		20050509	KMYSE1B4R5C000001	
		19	S3892-04008-10	SCREW, WASHER 4x8	2	N		20050509	KMYSE1B4R5C000001	
		20	S3892-04014-08	SCREW, WASHER 4x14	2	N		20050509	KMYSE1B4R5C000001	
		21	S5002-02070	CLIP, B7 TUBE	4	N		20050509	KMYSE1B4R5C000001	

E-11

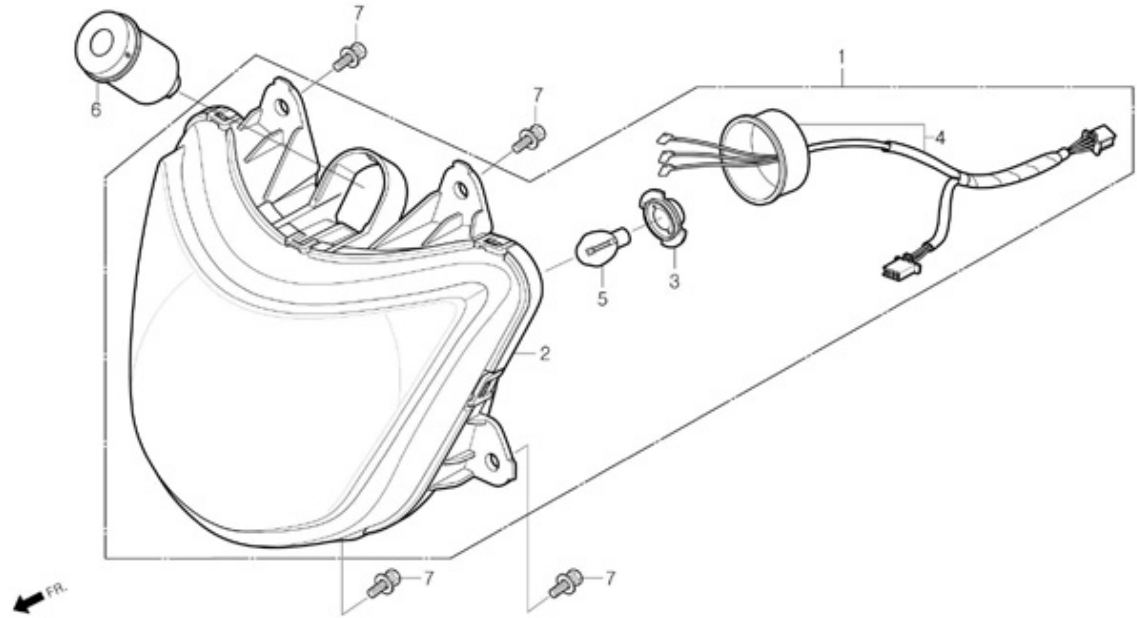
CARBURETOR



Service item	FRT	Ref. No.	Part No.	Description	QTY	A/S	Exch	Start Date	Start FRM.No	End FRM.No
		22	S5003-07007-31	TUBE, VINYL 4x7x70	1	N		20050509	KMYSE1B4R5C000001	
		23	S5003-07025-31	TUBE, VINYL 4x7x250	1	N		20050509	KMYSE1B4R5C000001	
		24	S9101-SE5-0650-B1	JET, MAIN #85	1	Y		20050509	KMYSE1B4R5C000001	
		25	S9103-SE5-0350-B1	JET, SLOW #35	1	Y		20050509	KMYSE1B4R5C000001	

F-01

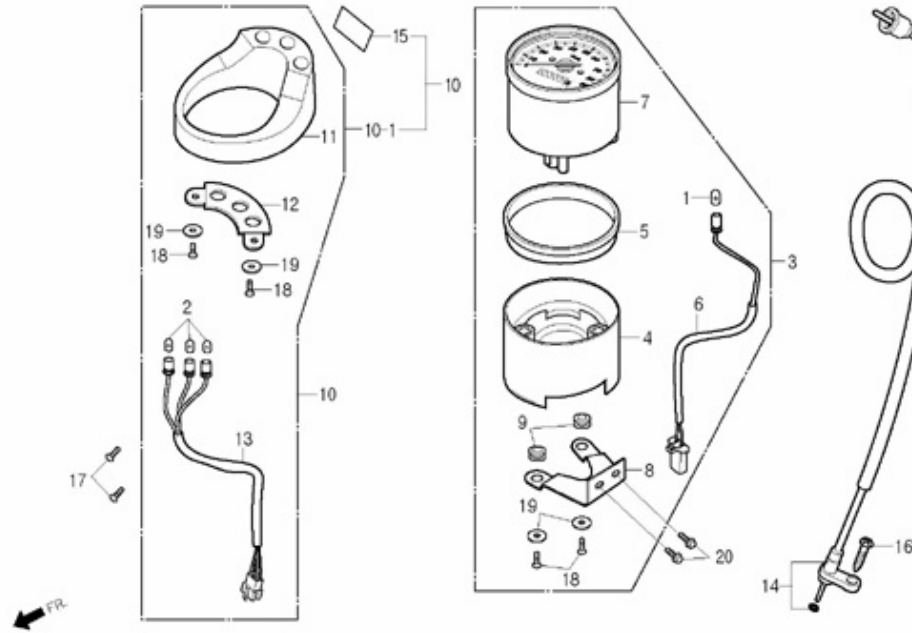
HEADLIGHT



Service item	FRT	Ref. No.	Part No.	Description	QTY	A/S	Exch	Start Date	Start FRM.No	End FRM.No
BULB, HEADLIGHT(12V 35W/35W)	0.3	1	33100-SE7-RZ00-M1	HEADLIGHT ASS'Y	1	Y		20050509	KMYSE1B4R5C000001	
HEADLIGHT ASS'Y	0.3	2	33101-SE7-RZ00-M1	UNIT, HEADLIGHT	1	N		20050509	KMYSE1B4R5C000001	
UNIT, HEADLIGHT	0.2	3	33120-SE4-0000	HOLDER, BULB	1	N		20050509	KMYSE1B4R5C000001	
SOCKET COMP., HEADLIGHT		4	33130-SE7-0000-M1	SOCKET COMP., HEADLIGHT	1	N		20050509	KMYSE1B4R5C000001	
RELAY COMP., AUDIBLE PILOT WINKER		5	34901-SA1-RB00	BULB, HEADLIGHT(12V 35W/35W)	1	Y		20050509	KMYSE1B4R5C000001	
		6	38301-BA6-0300-P	RELAY COMP., AUDIBLE PILOT WINKER	1	Y		20050509	KMYSE1B4R5C000001	
		7	S3404-06016-08	BOLT, WASHER 6x16	4	Y		20050509	KMYSE1B4R5C000001	

F-02

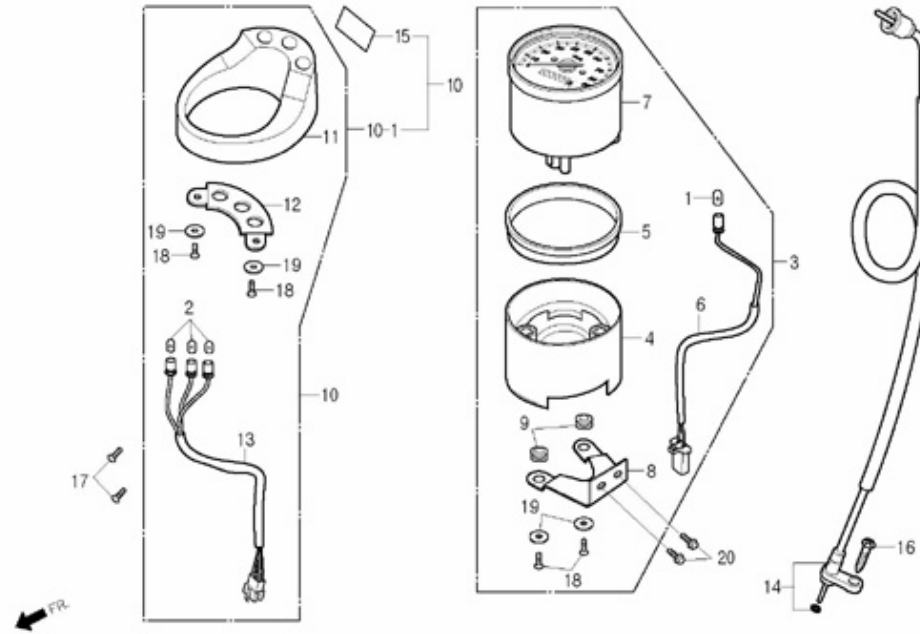
SPEEDOMETER / PILOT BOX



Service item	FRT	Ref. No.	Part No.	Description	QTY	A/S	Exch	Start Date	Start FRM.No	End FRM.No
SPEEDOMETER ASS'Y	0.5	1	34908-SA2-8710-M1	BULB, WEDGE BASE (12V 1.7W)	1	Y		20050509	KMYSE1B4R5C000001	
SPEEDOMETER COMP.	0.6	2	34918-BA5-9200	BULB, WEDGE BASE T6.5(14V 3W)	3	Y		20050509	KMYSE1B4R5C000001	
SET, PILOT BOX	0.7	3	37200-SE3-RB00-M2	SPEEDOMETER ASS'Y	1	Y		20050509	KMYSE1B4R5C000001	
BULB, WEDGE BASE T6.5(14V 3W)	0.4	4	37203-SE3-0000	CASE, SPEEDOMETER	1	N		20050509	KMYSE1B4R5C000001	
CABLE ASS'Y, SPEEDOMETER	0.4	5	37208-SE3-0000	CUSHION, SPEEDOMETER	1	N		20050509	KMYSE1B4R5C000001	
		6	37209-SE3-0000	SOCKET COMP., SPEEDOMETER	1	N		20050509	KMYSE1B4R5C000001	
		7	37210-SE3-0000	SPEEDOMETER COMP.	1	N		20050509	KMYSE1B4R5C000001	
		8	37211-SE3-0000	STAY, SPEEDOMETER	1	N		20050509	KMYSE1B4R5C000001	
		9	37212-SE3-0000	RUBBER, SPEEDOMETER MOUNT	2	N		20050509	KMYSE1B4R5C000001	
		10	3760A-SE7-MA00	SET, PILOT BOX(ENGLISH)	1	N	Y	20050509	KMYSE1B4R5C000001	KMYSE1B4R7C000855
			3760A-SE7-RB00	SET, PILOT BOX(GERMANY)	1	N	Y	20050509	KMYSE1B4R5C000001	KMYSE1B4R7C000855
			3760A-SE7-RC00	SET, PILOT BOX(ITALY)	1	N	Y	20050509	KMYSE1B4R5C000001	KMYSE1B4R7C000855
			3760A-SE7-RE00	SET, PILOT BOX(FRANCE)	1	N	Y	20050509	KMYSE1B4R5C000001	KMYSE1B4R7C000855
			3760A-SE7-RJ00	SET, PILOT BOX(SPAIN)	1	N	Y	20050509	KMYSE1B4R5C000001	KMYSE1B4R7C000855
		10-1	37600-SB3-0000-M3	BOX ASS'Y, PILOT	1	Y		20070521	KMYSE1B4R7C000856	
		11	37605-SE3-0000	COVER, PILOT BOX	1	N		20050509	KMYSE1B4R5C000001	
		12	37606-SE3-0000	BASE, PILOT BOX	1	N		20050509	KMYSE1B4R5C000001	
		13	37610-SB3-0000	SOCKET COMP., PILOT	1	N		20050509	KMYSE1B4R5C000001	
		14	44830-SE3-0000-M3	CABLE ASS'Y, SPEEDOMETER	1	Y		20050509	KMYSE1B4R5C000001	
		15	87560-SA1-MA00	MARK, DRIVE CAUTION(ENGLISH)	1	N		20050509	KMYSE1B4R5C000001	
			87560-SA1-RB00	MARK, DRIVE CAUTION(GERMANY)	1	N		20050509	KMYSE1B4R5C000001	
			87560-SA1-RC00	MARK, DRIVE CAUTION(ITALY)	1	N		20050509	KMYSE1B4R5C000001	

F-02

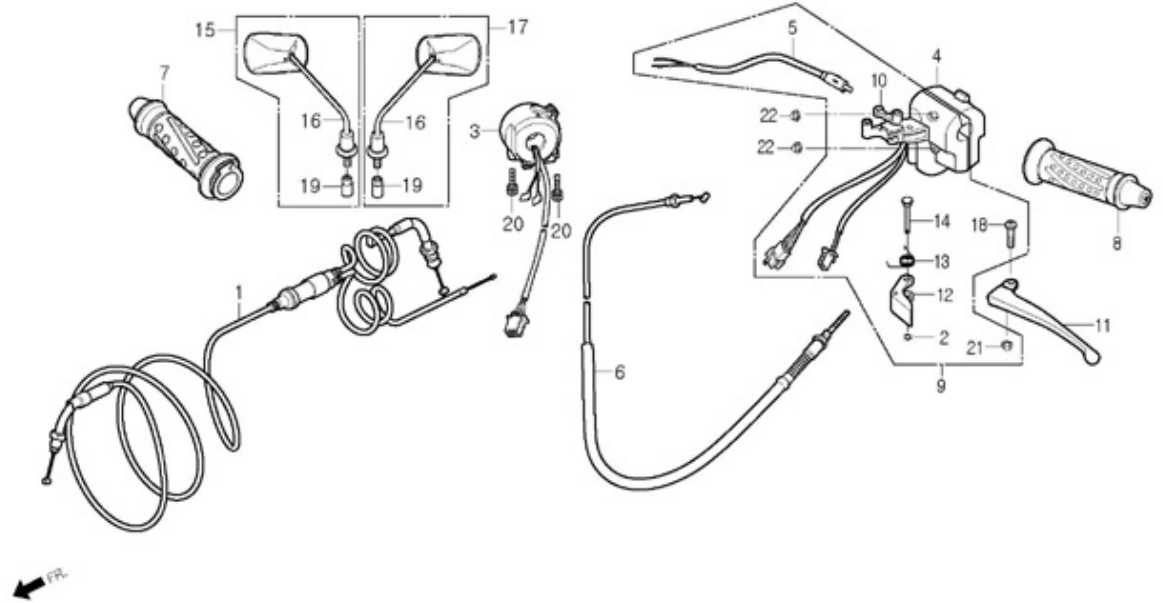
SPEEDOMETER / PILOT BOX



Service item	FRT	Ref. No.	Part No.	Description	QTY	A/S	Exch	Start Date	Start FRM.No	End FRM.No
			87560-SA1-RE00	MARK, DRIVE CAUTION(FRANCE)	1	N		20050509	KMYSE1B4R5C000001	
			87560-SA1-RJ00	MARK, DRIVE CAUTION(SPAIN)	1	N		20050509	KMYSE1B4R5C000001	
		16	S3700-05016-0G	SCREW, OVAL 5x16	1	Y		20050509	KMYSE1B4R5C000001	
		17	S3903-25220	SCREW, TAPPING 5x12	2	Y		20050509	KMYSE1B4R5C000001	
		18	S3903-34380	SCREW, TAPPING 4x12	4	N		20050509	KMYSE1B4R5C000001	
		19	S4101-05800	WASHER, PLAIN 5mm	4	N		20050509	KMYSE1B4R5C000001	
		20	S5701-06012-07	BOLT, FLANGE 6x12	2	Y		20050509	KMYSE1B4R5C000001	

F-03

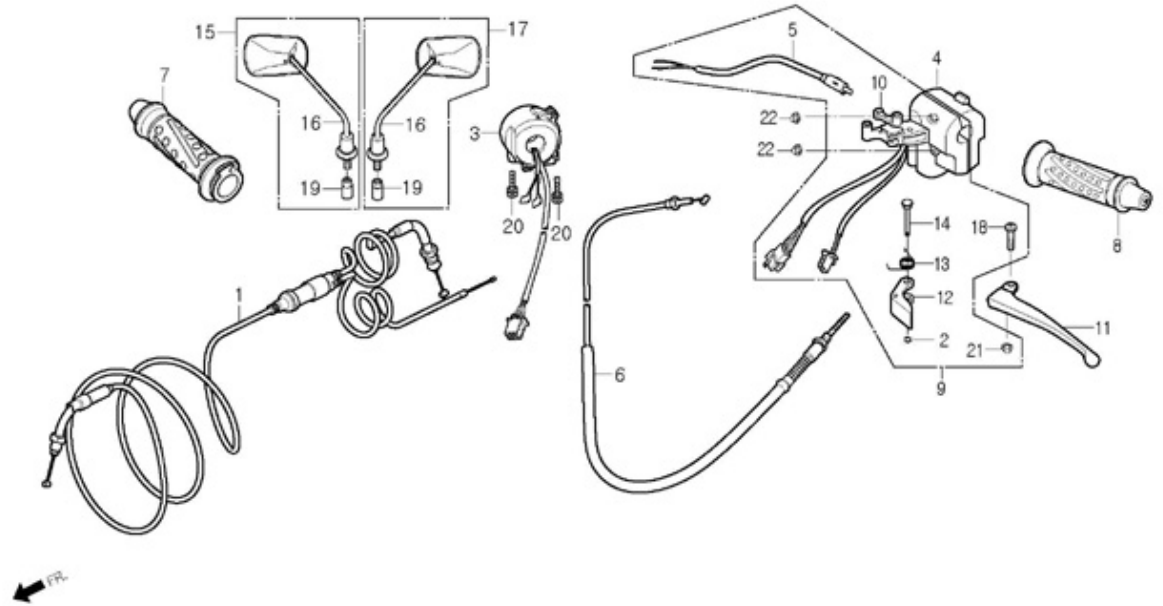
HANDLE LEVER / SWITCH / CABLE



Service item	FRT	Ref. No.	Part No.	Description	QTY	A/S	Exch	Start Date	Start FRM.No	End FRM.No
CABLE COMP., THROTTLE	1.5	1	17910-SE1-0000-M3	CABLE COMP., THROTTLE	1	Y		20050509	KMYSE1B4R5C000001	
SWITCH ASS'Y, LIGHTING START	0.3	2	30158-SE5-0000	CIR CLIP, E-TYPE 3mm	1	N		20050509	KMYSE1B4R5C000001	
SWITCH COMP., WINKER	0.7	3	35150-SE7-RZ00	SWITCH ASS'Y, LIGHTING START	1	Y		20050509	KMYSE1B4R5C000001	
SWITCH ASS'Y, RR.STOP	0.4	4	35210-SE3-0000	SWITCH COMP., WINKER	1	Y		20050509	KMYSE1B4R5C000001	
CABLE COMP., RR.BRAKE		5	35350-SE3-0000	SWITCH ASS'Y, RR.STOP	1	N	Y	20050509	KMYSE1B4R5C000001	KMYSE1B4R7C000846
GRIP COMP., THROTTLE			35350-SE3-0000-M4	SWITCH ASS'Y, RR.STOP(YUHUAN KAILNG)	1	Y		20070509	KMYSE1B4R7C000847	
LEVER, LH.STEERING HANDLE		6	43450-SE1-0000-M3	CABLE COMP., RR.BRAKE	1	Y		20050509	KMYSE1B4R5C000001	
		7	53140-SE3-0000	GRIP COMP., THROTTLE	1	Y		20050509	KMYSE1B4R5C000001	
		8	53166-SB1-0000	GRIP, LH.HANDLE	1	Y		20050509	KMYSE1B4R5C000001	
		9	5317A-SE3-0000	BRACKET ASS'Y, HANDLE	1	Y		20050509	KMYSE1B4R5C000001	
		10	53172-SE3-0000	BRACKET, LH.HANDLE LEVER	1	N		20050509	KMYSE1B4R5C000001	
		11	53178-SE5-5100-EU	LEVER, LH.STEERING HANDLE	1	N	Y	20050509	KMYSE1B4R5C000001	KMYSE1B4R6C000489
			53178-SA1-0110	LEVER, LH.STEERING HANDLE	1	Y		20060418	KMYSE1B4R6C000490	
		12	53181-SE5-9000	LEVER COMP., PARKING	1	N		20050509	KMYSE1B4R5C000001	
		13	53182-SE3-0000	SPRING, RETURN LEVER	1	N		20050509	KMYSE1B4R5C000001	
		14	53183-SE5-0000	PIN, PARKING LEVER PIVOT	1	N		20050509	KMYSE1B4R5C000001	
		15	88110-SE3-0000	MIRROR ASS'Y, RH.BACK	1	Y	Y	20050509	KMYSE1B4R5C000001	KMYSE1B4R6C000491
			88110-SE3-0010	MIRROR ASS'Y, RH.BACK	1	Y		20060524	KMYSE1B4R6C000492	
		16	88113-SE3-0000	CAP, LOCK NUT	2	N		20050509	KMYSE1B4R5C000001	
		17	88120-SE3-0000	MIRROR ASS'Y, LH.BACK	1	Y	Y	20050509	KMYSE1B4R5C000001	KMYSE1B4R6C000491
			88120-SE3-0010	MIRROR ASS'Y, LH.BACK	1	Y		20060524	KMYSE1B4R6C000492	

F-03

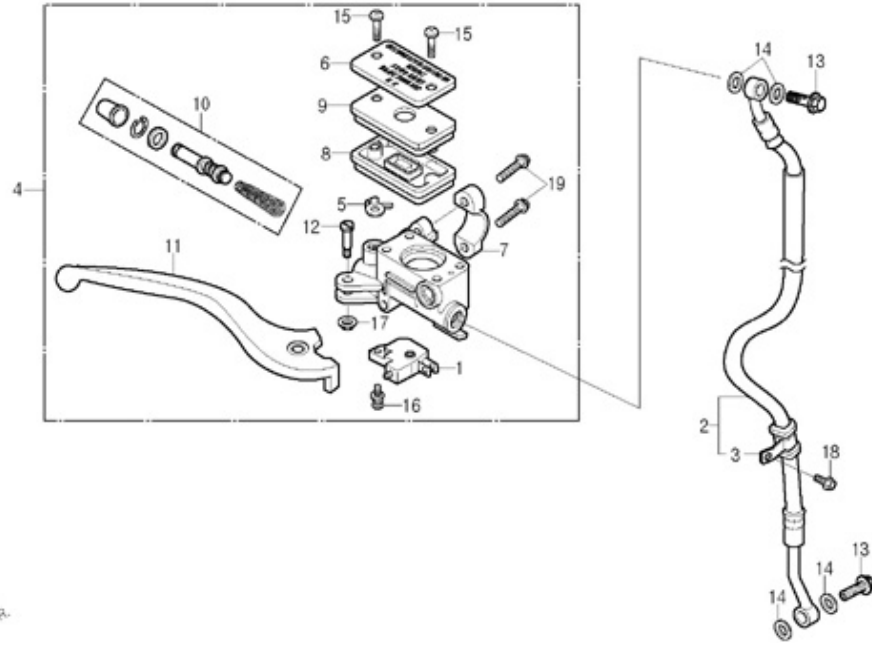
HANDLE LEVER / SWITCH / CABLE



Service item	FRT	Ref. No.	Part No.	Description	QTY	A/S	Exch	Start Date	Start FRM.No	End FRM.No
		18	90115-SE3-0000	SCREW, HANDLE LEVER PIVOT	1	N		20050509	KMYSE1B4R5C000001	
		19	90134-SE5-0000	NUT, LOCK	2	N		20050509	KMYSE1B4R5C000001	
		20	S3892-05028-07	SCREW, WASHER 5x28	2	Y		20050509	KMYSE1B4R5C000001	
		21	S4001-05070-0S	NUT, HEX 5mm	1	N		20050509	KMYSE1B4R5C000001	
		22	S4021-05070-0S	NUT, HEX CAP 5mm	2	Y		20050509	KMYSE1B4R5C000001	

F-04

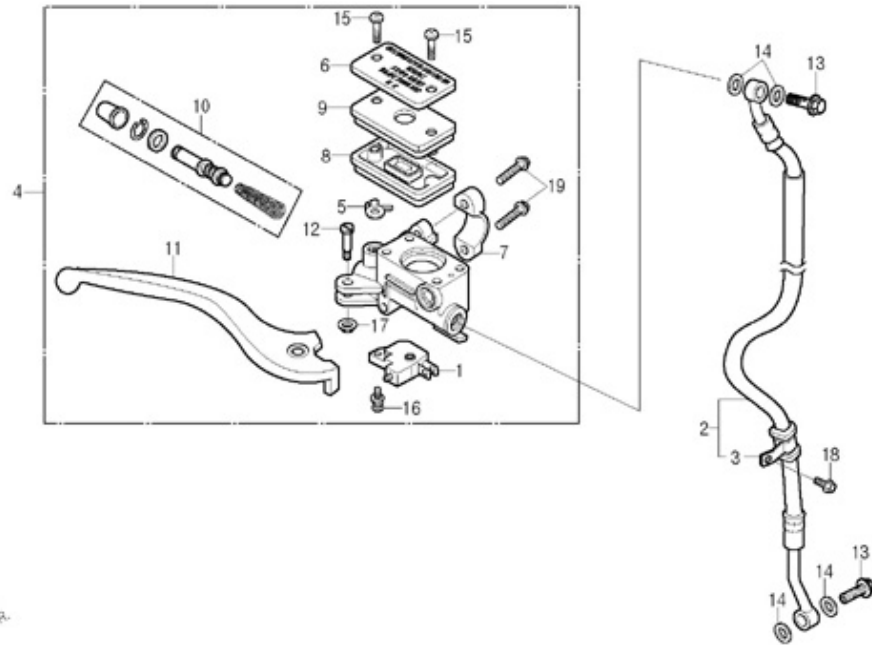
FRONT BRAKE MASTER CYLINDER



Service item	FRT	Ref. No.	Part No.	Description	QTY	A/S	Exch	Start Date	Start FRM.No	End FRM.No
SWITCH ASS'Y, FR.STOP	0.3	1	35340-BA6-9600	SWITCH ASS'Y, FR.STOP	1	N	Y	20050509	KMYSE1B4R5C000001	KMYSE1B4R6C000253
HOSE ASS'Y, FR.BRAKE	0.5		35340-SC1-6700-M4	SWITCH ASS'Y, FR.STOP(KL)	1	Y		20051201	KMYSE1B4R6C000254	
CYLINDER ASS'Y, FR.MASTER	0.5	2	45126-SE7-0000	HOSE ASS'Y, FR.BRAKE	1	Y	N	20050509	KMYSE1B4R5C000001	KMYSE1B4R7C000517
CYLINDER SET, MASTER	0.1		45126-SE8-0000	HOSE ASS'Y, FR.BRAKE	1	Y		20061201	KMYSE1B4R7C000518	
DIAPHRAGM		3	45157-BA5-8501	CLAMPER, BRAKE HOSE	1	N	N	20050509	KMYSE1B4R5C000001	KMYSE1B4R7C000517
			51107-SE1-0000	CLAMP, BRAKE HOSE	1	N		20061201	KMYSE1B4R7C000518	
		4	45500-SB3-0000-M1	CYLINDER ASS'Y, FR.MASTER	1	Y		20050509	KMYSE1B4R5C000001	
		5	45512-BA6-1060	PROTECTOR	1	N		20050509	KMYSE1B4R5C000001	
		6	45513-CB4-0000-M1	CAP, MASTER CYLINDER	1	N		20050509	KMYSE1B4R5C000001	
		7	45517-CB4-0000-M1	HOLDER, MASTER CYLINDER	1	N		20050509	KMYSE1B4R5C000001	
		8	45520-SC1-0060	DIAPHRAGM	1	N		20050509	KMYSE1B4R5C000001	
		9	45521-SC1-0060	PLATE, DIAPHRAGM	1	N		20050509	KMYSE1B4R5C000001	
		10	45530-CB4-0000	CYLINDER SET, MASTER	1	N		20050509	KMYSE1B4R5C000001	
		11	53175-CB4-0000-M1	LEVER, HANDLE	1	Y		20050509	KMYSE1B4R5C000001	
		12	90114-BA6-2060	BOLT, HANDLE LEVER	1	N		20050509	KMYSE1B4R5C000001	
		13	90145-BA7-9000	BOLT, OIL 10x22	2	Y		20050509	KMYSE1B4R5C000001	
		14	90545-BA6-0000	WASHER, OIL BOLT	4	Y		20050509	KMYSE1B4R5C000001	
		15	S3600-04012-1G	SCREW, FLAT 4x12	2	N		20050509	KMYSE1B4R5C000001	
		16	S3893-04012-18	SCREW, WASHER 4x12	1	N		20050509	KMYSE1B4R5C000001	
		17	S4050-06070	NUT, FLANGE 6mm	1	N		20050509	KMYSE1B4R5C000001	
		18	S5701-06012-08	BOLT, FLANGE 6x12	1	Y		20050509	KMYSE1B4R5C000001	

F-04

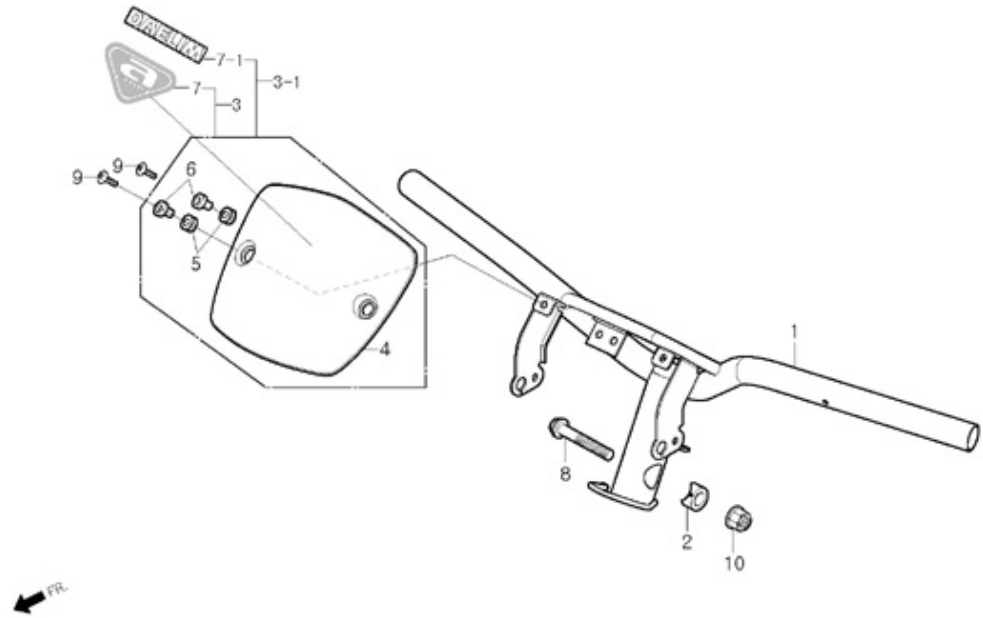
FRONT BRAKE MASTER CYLINDER



Service item	FRT	Ref. No.	Part No.	Description	QTY	A/S	Exch	Start Date	Start FRM.No	End FRM.No
		19	S5701-06025-07	BOLT, FLANGE 6x25	2	N		20050509	KMYSE1B4R5C000001	

F-05

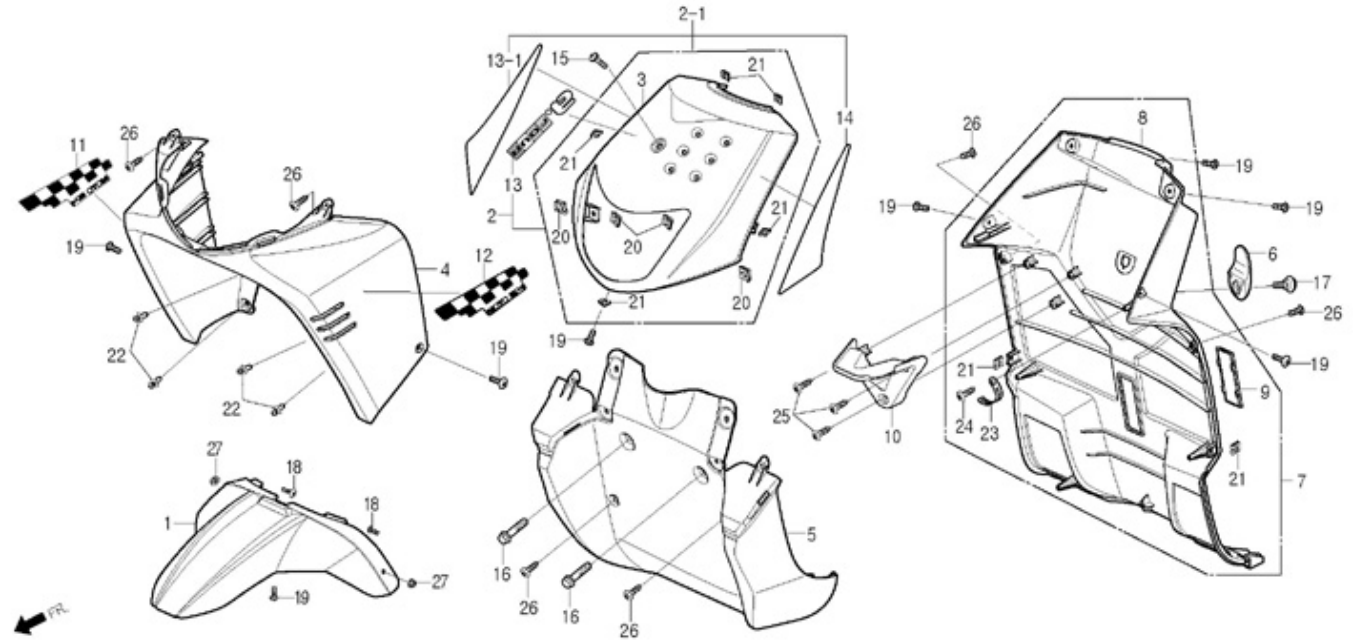
HANDLE PIPE / WIND SCREEN



Service item	FRT	Ref. No.	Part No.	Description	QTY	A/S	Exch	Start Date	Start FRM.No	End FRM.No
HANDLE COMP., STEERING SCREEN, WIND	0.7	1	53100-SE7-0000	HANDLE COMP., STEERING	1	Y		20050509	KMYSE1B4R5C000001	
	0.1	2	53125-CB2-9000	COLLAR, HANDLE SETTING	1	Y		20050509	KMYSE1B4R5C000001	
		3	5321A-SE7-0000	SCREEN ASS'Y, WIND	1	Y	N	20050509	KMYSE1B4R5C000001	KMYSE1B4R7C000517
		3-1	5321A-SE7-RZ00	SCREEN ASS'Y, WIND	1	Y		20061201	KMYSE1B4R7C000518	
		4	53213-SE7-0000	SCREEN, WIND	1	N		20050509	KMYSE1B4R5C000001	
		5	84301-BA1-0000	RUBBER, FR.METER COVER SETTING	2	N		20050509	KMYSE1B4R5C000001	
		6	84302-SE3-0000	COLLAR, WIND SCREEN SETTING	2	N		20050509	KMYSE1B4R5C000001	
		7	87120-SE7-0000	MARK, WIND SCREEN	1	Y	N	20050509	KMYSE1B4R5C000001	KMYSE1B4R7C000517
		7-1	87123-SZ1-0010-SL	MARK, RR.UNDER COVER(SILVER)	1	Y		20061201	KMYSE1B4R7C000518	
		8	90106-CB2-9000	BOLT, FLANGE 10x50	1	Y		20050509	KMYSE1B4R5C000001	
	9	90192-SE3-0000	SCREW, SPECIAL 5x14	2	Y		20050509	KMYSE1B4R5C000001		
	10	90304-SE6-0000	NUT, U 10mm	1	Y		20050509	KMYSE1B4R5C000001		

F-06

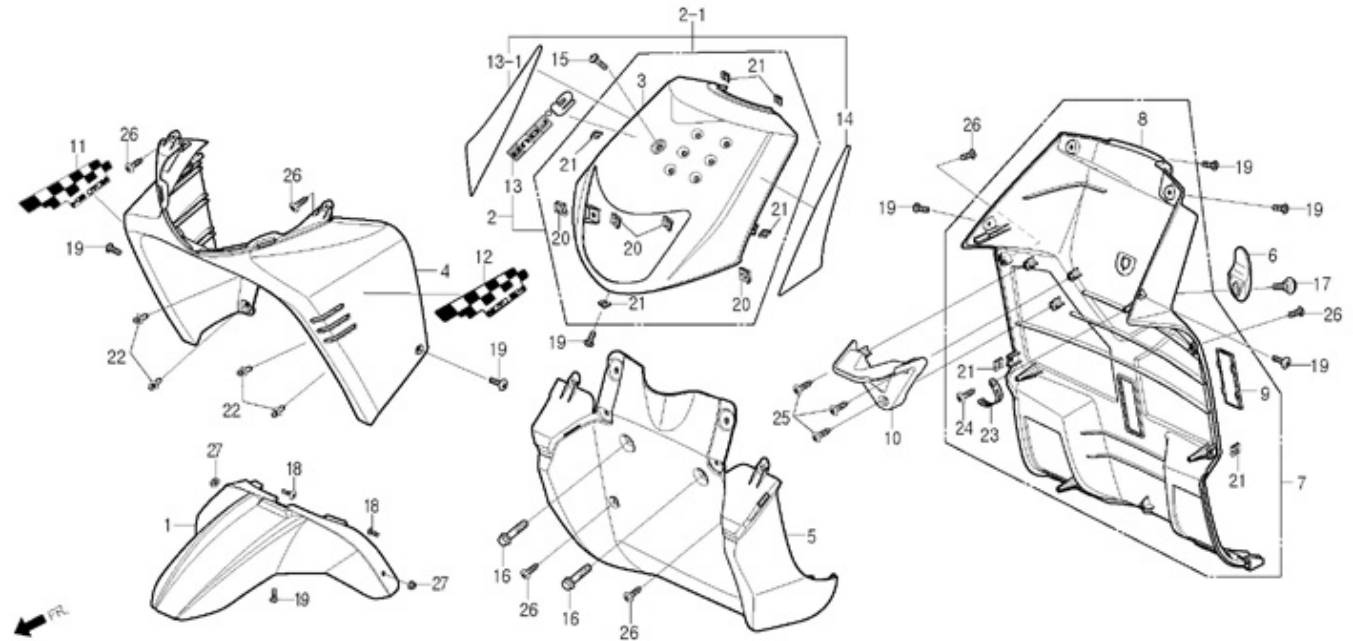
FRONT COVER



Service item	FRT	Ref. No.	Part No.	Description	QTY	A/S	Exch	Start Date	Start FRM.No	End FRM.No
COVER, FR.UNDER A	0.3	1	61100-SE8-0000-DL	FENDER, FR.(DL/BLUE)	1	Y		20061201	KMYSE1B4R7C000518	KMYSE1B4R8C001099
	0.5		61100-SE8-0000-SO	FENDER, FR.(S/ORANGE)	1	Y		20061201	KMYSE1B4R7C000518	KMYSE1B4R8C001099
COVER, FR.UNDER B	0.3		61100-SE8-0000-GB	FENDER, FR.(G/BLUE)	1	Y		20071022	KMYSE1B4R8C001100	
COVER, FR.	0.3	2	6430A-SE7-0000-BK	COVER ASS'Y, FR.(BLACK)	1	Y		20050509	KMYSE1B4R5C000001	KMYSE1B4R7C000517
			6430A-SE7-0000-BL	COVER ASS'Y, FR.(S/BLUE)	1	Y		20050509	KMYSE1B4R5C000001	KMYSE1B4R7C000517
BOX ASS'Y, INNER	1.0		6430A-SE7-0000-SL	COVER ASS'Y, FR.(SILVER)	1	Y		20050509	KMYSE1B4R5C000001	KMYSE1B4R7C000517
		2-1	6430A-SE7-RZ00-DL	COVER ASS'Y, FR.(DL/BLUE)	1	Y		20061201	KMYSE1B4R7C000518	
			6430A-SE7-RZ00-SO	COVER ASS'Y, FR.(S/ORANGE)	1	Y		20061201	KMYSE1B4R7C000518	
		3	64301-SE7-0000-BK	FR.COVER(BLACK)	1	N		20050509	KMYSE1B4R5C000001	KMYSE1B4R7C000517
			64301-SE7-0000-BL	FR.COVER(S/BLUE)	1	N		20050509	KMYSE1B4R5C000001	KMYSE1B4R7C000517
			64301-SE7-0000-SL	FR.COVER(SILVER)	1	N		20050509	KMYSE1B4R5C000001	KMYSE1B4R7C000517
			64301-SE7-0000-WH	FR.COVER(WHITE)	1	N		20061201	KMYSE1B4R7C000518	
		4	64400-SE7-0000-BK	UNDER COVER A, FR.(BLACK)	1	Y		20050509	KMYSE1B4R5C000001	KMYSE1B4R7C000517
			64400-SE7-0000-BL	UNDER COVER A, FR.(S/BLUE)	1	Y		20050509	KMYSE1B4R5C000001	KMYSE1B4R7C000517
			64400-SE7-0000-SL	UNDER COVER A, FR.(SILVER)	1	Y		20050509	KMYSE1B4R5C000001	KMYSE1B4R7C000517
			64400-SE7-0000-DL	UNDER COVER A, FR.(DL/BLUE)	1	Y		20061201	KMYSE1B4R7C000518	
			64400-SE7-0000-SO	UNDER COVER A, FR.(S/ORANGE)	1	Y		20061201	KMYSE1B4R7C000518	
		5	64500-SE7-0000-MK	UNDER COVER B, FR.(M/BLACK)	1	Y		20050509	KMYSE1B4R5C000001	
		6	81100-SE1-RB00	HOLDER, BAG	1	Y		20050509	KMYSE1B4R5C000001	
		7	8113A-SE7-0000	BOX ASS'Y, INNER	1	Y		20050509	KMYSE1B4R5C000001	
		8	81131-SE7-0000	COVER, INNER	1	N		20050509	KMYSE1B4R5C000001	
		9	81132-SE1-RB00	CAP, NUMBERING	1	N		20050509	KMYSE1B4R5C000001	
		10	81133-SE7-0000	PROTECTOR, COMB.& LOCK SWITCH	1	Y		20050509	KMYSE1B4R5C000001	

F-06

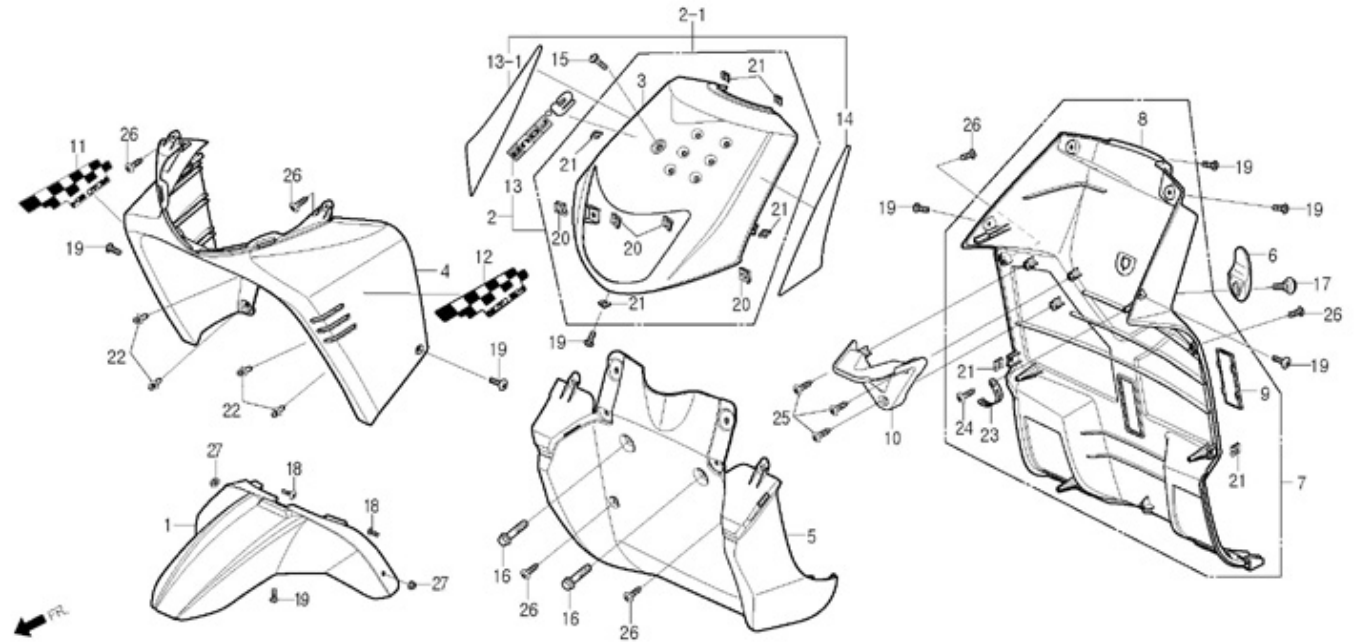
FRONT COVER



Service item	FRT	Ref. No.	Part No.	Description	QTY	A/S	Exch	Start Date	Start FRM.No	End FRM.No
		11	87133-SE7-RZ00-DL	STRIPE, RH.FR.UNDER COVER(DL/BLUE)	1	Y		20061201	KMYSE1B4R7C000518	
			87133-SE7-RZ00-SO	STRIPE, RH.FR.UNDER COVER(S/ORANGE)	1	Y		20061201	KMYSE1B4R7C000518	
		12	87134-SE7-RZ00-DL	STRIPE, LH.FR.UNDER COVER(DL/BLUE)	1	Y		20061201	KMYSE1B4R7C000518	
			87134-SE7-RZ00-SO	STRIPE, LH.FR.UNDER COVER(S/ORANGE)	1	Y		20061201	KMYSE1B4R7C000518	
		13	87137-SE7-0000-BK	MARK, FR.COVER(BLACK)	1	Y		20050509	KMYSE1B4R5C000001	KMYSE1B4R7C000517
			87137-SE7-0000-BL	MARK, FR.COVER(S/BLUE)	1	Y		20050509	KMYSE1B4R5C000001	KMYSE1B4R7C000517
			87137-SE7-0000-SL	MARK, FR.COVER(SILVER)	1	Y		20050509	KMYSE1B4R5C000001	KMYSE1B4R7C000517
		13-1	87137-SE7-RZ00-DL	STRIPE, RH.FR.COVER(DL/BLUE)	1	Y		20061201	KMYSE1B4R7C000518	
			87137-SE7-RZ00-SO	STRIPE, RH.FR.COVER(S/ORANGE)	1	Y		20061201	KMYSE1B4R7C000518	
		14	87138-SE7-RZ00-DL	STRIPE, LH.FR.COVER(DL/BLUE)	1	Y		20061201	KMYSE1B4R7C000518	
			87138-SE7-RZ00-SO	STRIPE, LH.FR.COVER(S/ORANGE)	1	Y		20061201	KMYSE1B4R7C000518	
		15	90110-SE5-0000	SCREW, SPECIAL 6x14	1	Y		20050509	KMYSE1B4R5C000001	
		16	90111-SE5-1000	BOLT, FLANGE 6mm	2	Y		20050509	KMYSE1B4R5C000001	
		17	90124-BA6-9000	SCREW, SIDE COVER SET	1	N	Y	20050509	KMYSE1B4R5C000001	KMYSE1B4R8C000886
			90124-BA6-9020	SCREW, SIDE COVER SET	1	Y		20070701	KMYSE1B4R8C000887	
		18	90190-SB1-0000	SCREW, SPECIAL 6x14	2	Y		20061201	KMYSE1B4R7C000518	
		19	90192-SE3-0000	SCREW, SPECIAL 5x14	8	Y		20050509	KMYSE1B4R5C000001	
		20	90305-SE5-1000	NUT, CLIP 6mm	4	Y		20050509	KMYSE1B4R5C000001	
		21	90677-SE5-0030	NUT, CLIP 5mm	7	Y		20050509	KMYSE1B4R5C000001	
		22	90683-SE5-0030	CLIP, BODY COVER	4	Y		20050509	KMYSE1B4R5C000001	
		23	91411-BA6-9600	CLIP, 2x90	1	N		20050509	KMYSE1B4R5C000001	
		24	S3903-25320	SCREW, TAPPING 5x16	1	N		20050509	KMYSE1B4R5C000001	

F-06

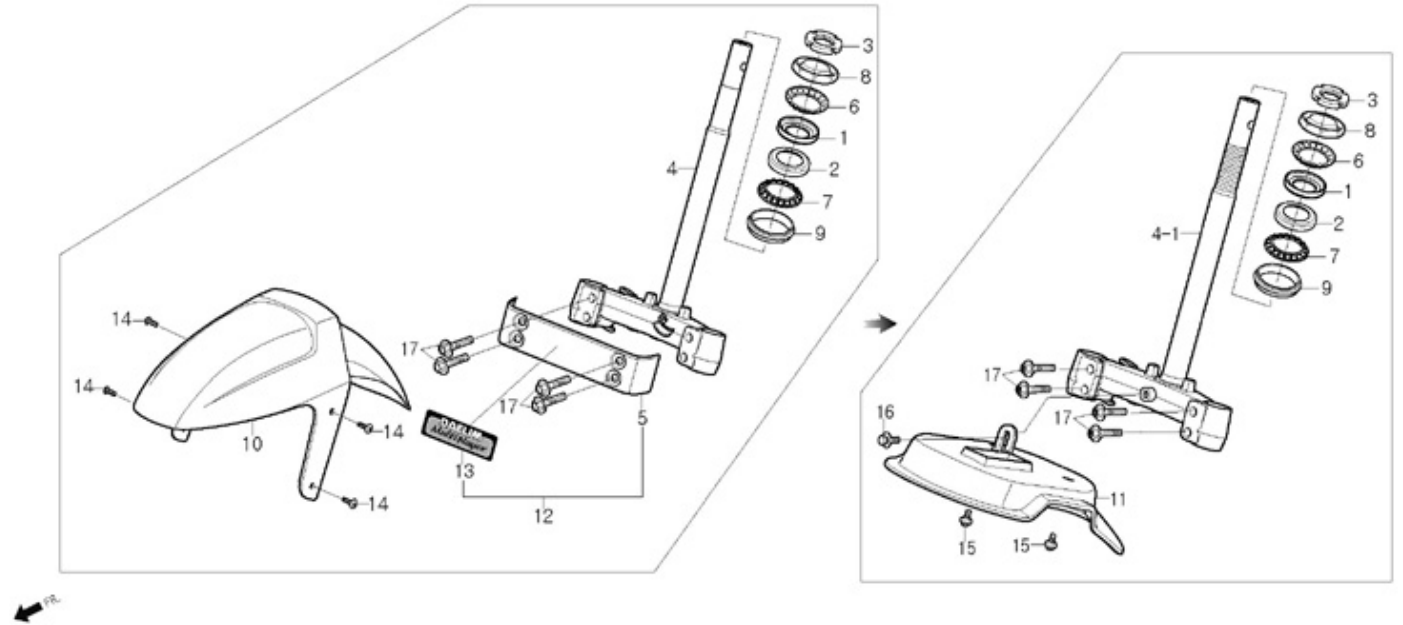
FRONT COVER



Service item	FRT	Ref. No.	Part No.	Description	QTY	A/S	Exch	Start Date	Start FRM.No	End FRM.No
		25	S3903-34420	SCREW, TAPPING 4x16	3	Y		20050509	KMYSE1B4R5C000001	
		26	S3903-34480	SCREW, TAPPING 4x16	6	Y		20050509	KMYSE1B4R5C000001	
		27	S4050-06080	NUT, FLANGE 6mm	2	Y		20061201	KMYSE1B4R7C000518	

F-07

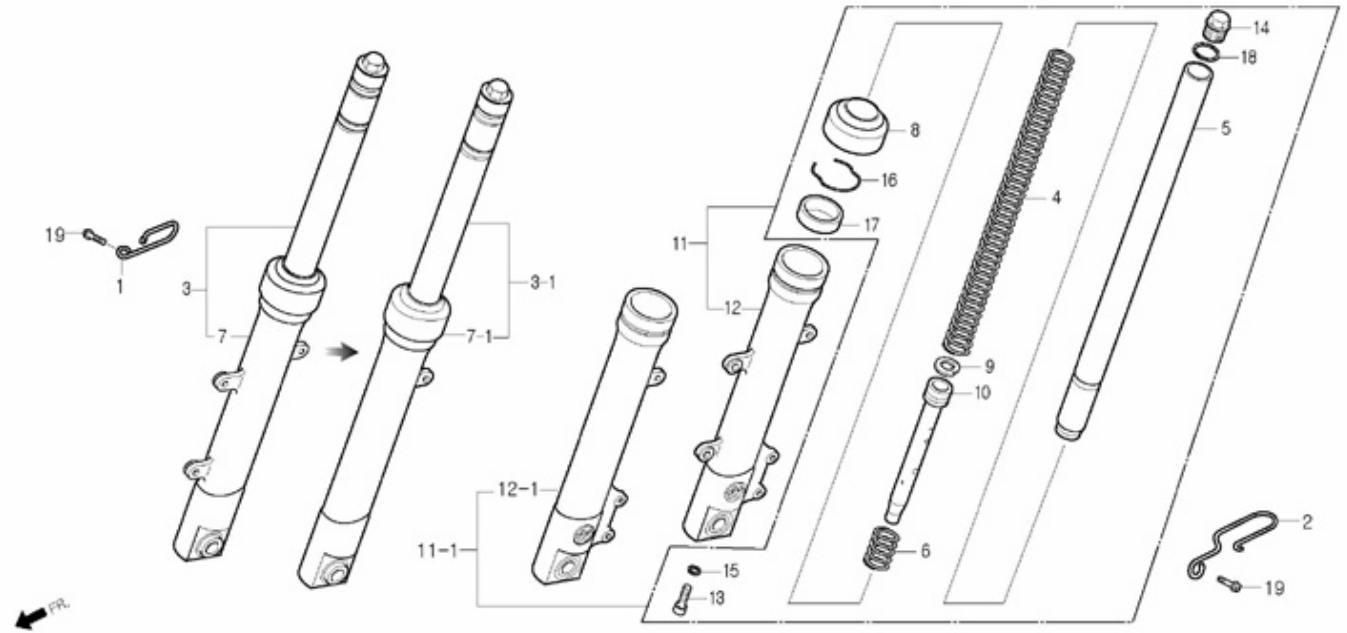
FRONT FENDER / STEERING STEM



Service item	FRT	Ref. No.	Part No.	Description	QTY	A/S	Exch	Start Date	Start FRM.No	End FRM.No	
RACE, STEERING BALL (ONE OR ALL) RACE, STEERING TOP CONE STEM COMP., STEERING FENDER, FR.	1.5	1	50301-CB2-1000	RACE, UPPER STEERING BALL	1	Y		20050509	KMYSE1B4R5C000001		
	1.0	2	50305-SC1-0030	RACE, UNDER STEERING BALL	1	Y		20050509	KMYSE1B4R5C000001		
	1.7	3	50306-SE5-9000	NUT, STEERING STEM LOCK	1	Y		20050509	KMYSE1B4R5C000001		
	0.2	4	53200-SE7-0000	STEM COMP., STEERING	1	Y	N	20050509	KMYSE1B4R5C000001	KMYSE1B4R7C000517	
		4-1	53200-SE3-0000-M1	STEM COMP., STEERING	1	Y		20061201	KMYSE1B4R7C000518		
		5	53203-SE7-0000	STAY, EMBLEM	1	N		20050509	KMYSE1B4R5C000001	KMYSE1B4R7C000517	
		6	53210-SE5-7510-M1	BALL ASSY, STEERING STEEL	1	Y		20050509	KMYSE1B4R5C000001		
		7	53210-SC1-9500	BALL ASS'Y, STEERING STEEL(BOTTOM)	1	Y		20050509	KMYSE1B4R5C000001		
		8	53211-SC1-0033	RACE, STEERING TOP CONE	1	N	Y	20050509	KMYSE1B4R5C000001	KMYSE1B4R6C000321	
			53211-SC1-0040	RACE, STEERING TOP CONE	1	Y		20060206	KMYSE1B4R6C000322		
		9	53212-SC1-0030	RACE, STEERING BOTTOM CONE	1	Y		20050509	KMYSE1B4R5C000001		
		10	61100-SE7-0000-BK	FENDER, FR.(BLACK)	1	Y	N	20050509	KMYSE1B4R5C000001	KMYSE1B4R7C000517	
			61100-SE7-0000-BL	FENDER, FR.(S/BLUE)	1	Y	N	20050509	KMYSE1B4R5C000001	KMYSE1B4R7C000517	
			61100-SE7-0000-SL	FENDER, FR.(SILVER)	1	Y	N	20050509	KMYSE1B4R5C000001	KMYSE1B4R7C000517	
			11	61101-SE8-0000	MUDGUARD, FR.	1	Y		20061201	KMYSE1B4R7C000518	
			12	64120-SE7-0000	EMBLEM ASS'Y, FR.	1	Y		20050509	KMYSE1B4R5C000001	KMYSE1B4R7C000517
			13	87110-SE7-0000	EMBLEM, FR.	1	Y		20050509	KMYSE1B4R5C000001	KMYSE1B4R7C000517
		14	90110-SE5-0000	SCREW, SPECIAL 6x14	4	Y		19910101	KMYSE1B4R5C000001		
		15	90111-SE5-1000	BOLT, FLANGE 6mm	2	Y		20061201	KMYSE1B4R7C000518		
		16	S3404-06012-08	BOLT, WASHER 6x12	1	Y		20061201	KMYSE1B4R7C000518		
		17	S5801-10045-08	BOLT, FLANGE 10x45	4	Y		20050509	KMYSE1B4R5C000001		

F-08

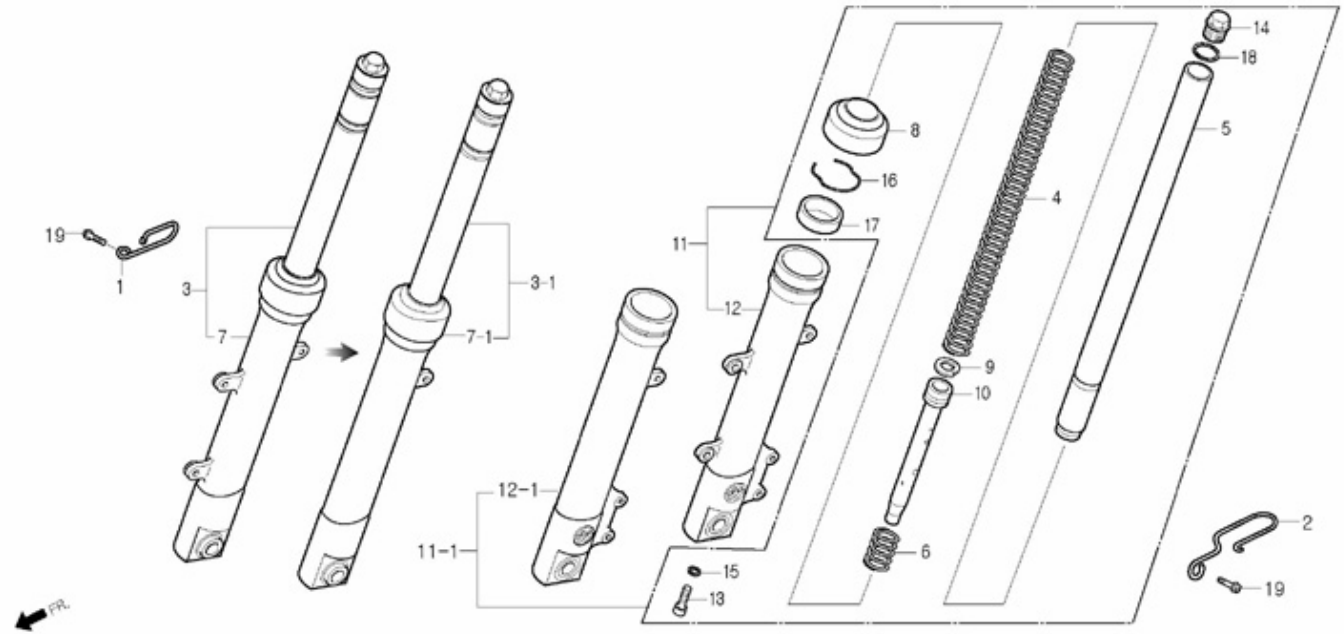
FRONT FORK



Service item	FRT	Ref. No.	Part No.	Description	QTY	A/S	Exch	Start Date	Start FRM.No	End FRM.No
FORK ASS'Y, FR. (ADD 0.1 FOR EACH) PIPE COMP., FR.FORK (ADD 0.4 FOR EACH) SEAL SET, FR.FORK (ADD 0.4 FOR EACH) BOTTOM CASE, FR. (ADD 0.5 FOR EACH)	1.0	1	45451-SE1-0000	GUIDE, SPEEDOMETER CABLE	1	Y		20050509	KMYSE1B4R5C000001	
	0.8	2	51108-SE7-0000	GUIDE, BRAKE HOSE	1	Y		20050509	KMYSE1B4R5C000001	KMYSE1B4R7C000517
	0.9	3	51400-SE1-RB00	FORK ASS'Y, RH.FR.	1	Y	N	20050509	KMYSE1B4R5C000001	KMYSE1B4R7C000517
		3-1	51400-SE3-RB00	FORK ASS'Y, RH.FR.	1	Y	N	20061201	KMYSE1B4R7C000518	KMYSE1B4R8C001099
			51400-SE7-RZ00	FORK ASS'Y, RH.FR.	1	Y		20071022	KMYSE1B4R8C001100	
		4	51401-SE1-RB00	SPRING, FR.CUSHION	2	N		20050509	KMYSE1B4R5C000001	
		5	51410-SE1-0000	PIPE COMP., FR.FORK	2	N		20050509	KMYSE1B4R5C000001	
		6	51412-CB2-9400-W1	SPRING, REBOUND	2	N		20050509	KMYSE1B4R5C000001	
		7	51420-SE1-0000	CASE, RH.FR.BOTTOM	1	N	N	20050509	KMYSE1B4R5C000001	KMYSE1B4R7C000517
		7-1	51420-SE3-0000	CASE, RH.FR.BOTTOM	1	N	N	20061201	KMYSE1B4R7C000518	KMYSE1B4R8C001099
			51420-SE7-RZ00	CASE, RH.FR.BOTTOM	1	N		20071022	KMYSE1B4R8C001100	
		8	51425-BA6-8410-M1	SEAL, DUST	2	N		20050509	KMYSE1B4R5C000001	
		9	51437-CB2-9400-W1	RING, PISTON	2	N		20050509	KMYSE1B4R5C000001	
	10	51440-SE6-9900	PIPE, SEAT	2	N		20050509	KMYSE1B4R5C000001		
		11	51500-SE1-RB00	FORK ASS'Y, LH.FR.	1	Y	N	20050509	KMYSE1B4R5C000001	KMYSE1B4R7C000517
		11-1	51500-SE3-RB00	FORK ASS'Y, LH.FR.	1	Y	N	20061201	KMYSE1B4R7C000518	KMYSE1B4R8C001099
			51500-SE7-RZ00	FORK ASS'Y, LH.FR.	1	Y		20071022	KMYSE1B4R8C001100	
		12	51520-SE1-0000	BOTTOM CASE, LH.FR.	1	N	N	20050509	KMYSE1B4R5C000001	KMYSE1B4R7C000517
		12-1	51520-SE3-0000	BOTTOM CASE, LH.FR.	1	N	N	20061201	KMYSE1B4R7C000518	KMYSE1B4R8C001099
			51520-SE7-RZ00	BOTTOM CASE, LH.FR.	1	N		20071022	KMYSE1B4R8C001100	
		13	90116-BA6-7210-M1	BOLT, SOCKET 8mm	2	N		20050509	KMYSE1B4R5C000001	

F-08

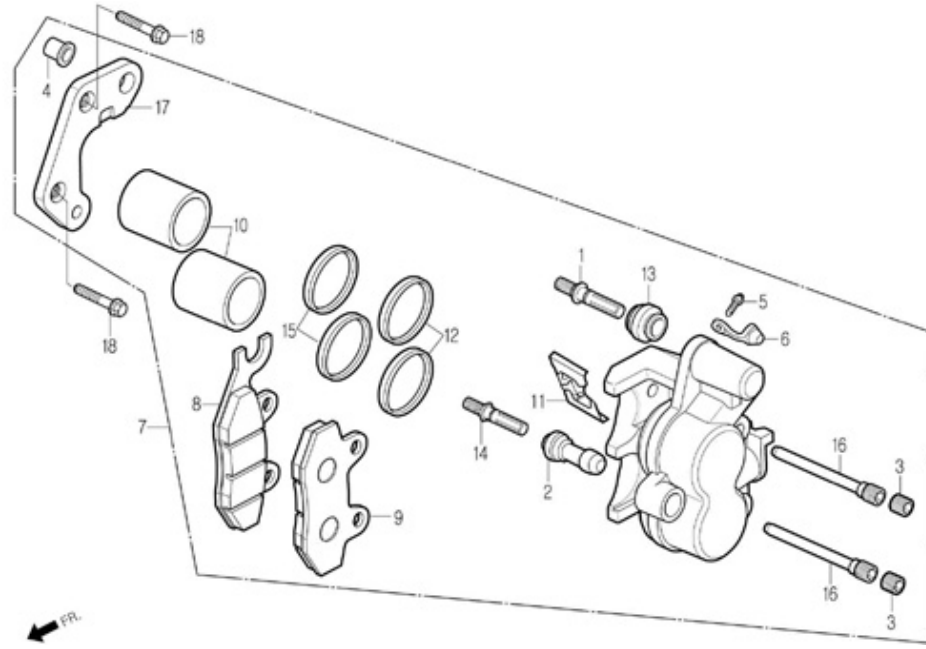
FRONT FORK



Service item	FRT	Ref. No.	Part No.	Description	QTY	A/S	Exch	Start Date	Start FRM.No	End FRM.No
		14	90123-SE5-0000	BOLT, FORK	2	N		20050509	KMYSE1B4R5C000001	
		15	90544-HD2-0000	WASHER, SPECIAL 8mm	2	Y		20050509	KMYSE1B4R5C000001	
		16	90601-BA6-7210-M1	RING, OIL SEAL STOPPER	2	N		20050509	KMYSE1B4R5C000001	
		17	90756-BA6-8410-M1	SEAL, OIL	2	Y		20050509	KMYSE1B4R5C000001	
		18	91256-BA6-7210-M1	O-RING 17.8x2.4	2	Y		20050509	KMYSE1B4R5C000001	
		19	S5701-06012-08	BOLT, FLANGE 6x12	2	Y		20050509	KMYSE1B4R5C000001	KMYSE1B4R7C000517
			S5701-06012-08	BOLT, FLANGE 6x12	1	Y		20061201	KMYSE1B4R7C000518	

F-09

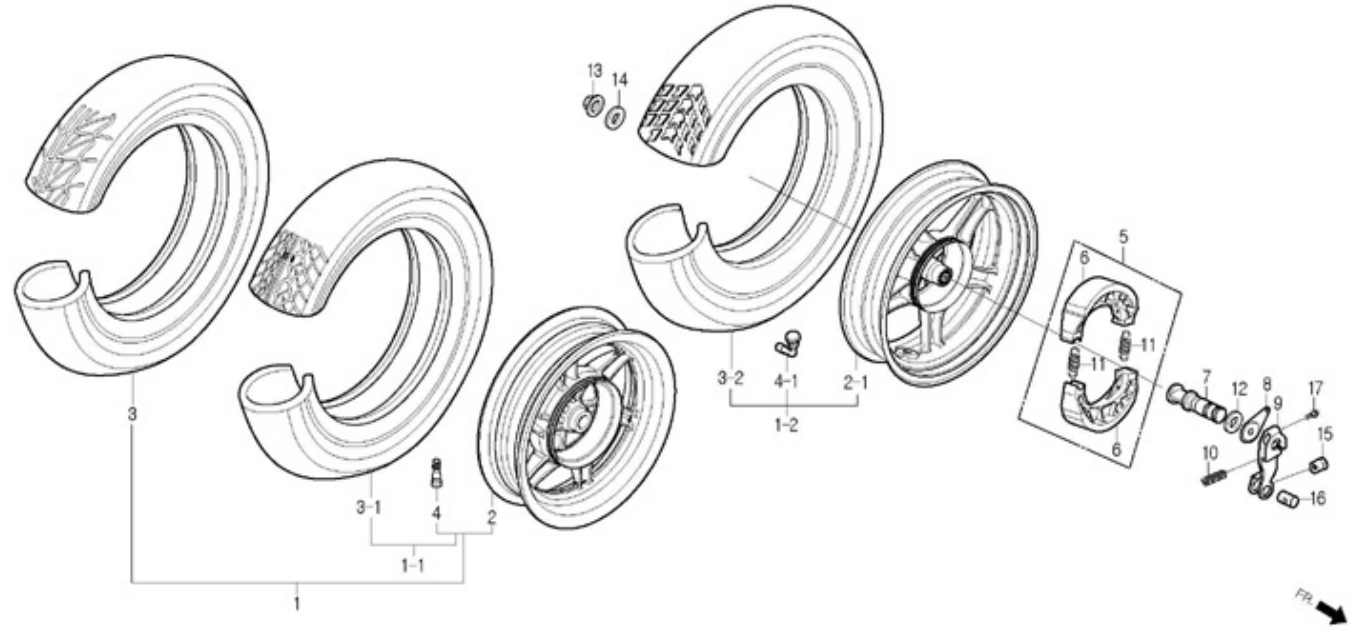
FRONT BRAKE CALIPER



Service item	FRT	Ref. No.	Part No.	Description	QTY	A/S	Exch	Start Date	Start FRM.No	End FRM.No
SEAL, PISTON =PISTON (INCLUDE RELATIVE PARTS) PAD COMP CALIPER ASS'Y, LH.FR.	0.5	1	43131-BA4-0000-M1	BOLT, PIN	1	N		20050509	KMYSE1B4R5C000001	
	0.2	2	43132-BA4-0000-M1	BUSH, BOOT PIN	1	N		20050509	KMYSE1B4R5C000001	
	0.4	3	43134-BA4-0000-M1	PLUG, DUST	2	N		20050509	KMYSE1B4R5C000001	
		4	43137-BA4-0000-M1	PAD, HANGER PIN	1	N		20050509	KMYSE1B4R5C000001	
		5	43352-CB4-0000-M1	BLEEDER	1	N		20050509	KMYSE1B4R5C000001	
		6	43353-CB4-0000-M1	CAP, BLEEDER	1	N		20050509	KMYSE1B4R5C000001	
		7	45100-SE7-0000	CALIPER ASS'Y, LH.FR.	1	Y		20050509	KMYSE1B4R5C000001	
		8	45105-SB3-0000-M1	PAD COMP., INNER	1	Y		20050509	KMYSE1B4R5C000001	
		9	45106-SB3-0000-M1	PAD COMP., OUTER	1	Y		20050509	KMYSE1B4R5C000001	
		10	45107-CB4-0000-M1	PISTON	2	N		20050509	KMYSE1B4R5C000001	
		11	45108-SB3-0000-M1	SPRING, PAD	1	N		20050509	KMYSE1B4R5C000001	
		12	45109-CB4-0000-M1	SEAL, DUST	2	N		20050509	KMYSE1B4R5C000001	
		13	45133-CB4-0000-M1	BOOT, PIN	1	N		20050509	KMYSE1B4R5C000001	
		14	45135-CB4-0000-M1	BOLT A, PIN	1	N		20050509	KMYSE1B4R5C000001	
		15	45209-CB4-0000-M1	SEAL, PISTON	2	N		20050509	KMYSE1B4R5C000001	
		16	45215-SB3-0000-M1	PIN, HANGER	2	N		20050509	KMYSE1B4R5C000001	
		17	46210-SE7-0000	BRACKET, CALIPER	1	Y		20050509	KMYSE1B4R5C000001	
		18	S5801-08025-08	BOLT, FLANGE 8x25	2	Y		20050509	KMYSE1B4R5C000001	

F-11

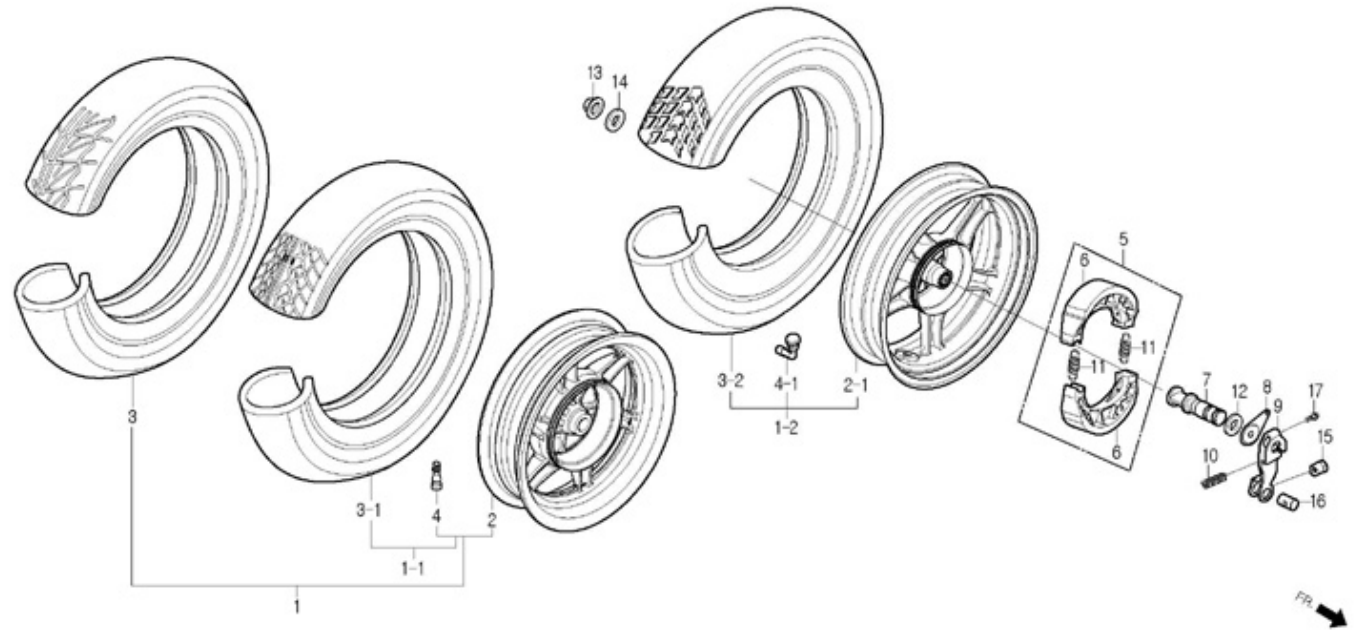
REAR WHEEL



Service item	FRT	Ref. No.	Part No.	Description	QTY	A/S	Exch	Start Date	Start FRM.No	End FRM.No
SHOE ASS'Y, RR.BRAKE	0.5	1	42600-SE1-0000	WHEEL ASS'Y, RR.	1	N	Y	20050509	KMYSE1B4R5C000001	KMYSE1B4R6C000261
WHEEL ASS'Y, RR.	0.7		42600-SE7-RZ00	WHEEL ASS'Y, RR.	1	Y	N	20060102	KMYSE1B4R6C000262	KMYSE1B4R7C000517
TIRE, RR.	0.6									
CAM, RR.BRAKE	0.2									
ARM, RR.BRAKE										
		1-1	42600-SE1-0000	WHEEL ASS'Y, RR.	1	Y	N	20060816	KMYSE1B4R7C000518	KMYSE1B4R7C000517
		1-2	42600-SE7-0000	WHEEL ASS'Y, RR.	1	Y	N	20061201	KMYSE1B4R7C000518	KMYSE1B4R8C001099
			42600-SE3-0000	WHEEL ASS'Y, RR.	1	Y		20071022	KMYSE1B4R8C001100	
		2	42601-SE1-0000	WHEEL, RR.CASTING	1	Y	N	20050509	KMYSE1B4R5C000001	KMYSE1B4R7C000517
		2-1	42601-SE7-0000	WHEEL, RR.CASTING	1	Y	N	20061201	KMYSE1B4R7C000518	KMYSE1B4R8C001099
			42601-SE3-0000	WHEEL COMP., RR.CASTING	1	Y		20071022	KMYSE1B4R8C001100	
		3	42711-SE1-0000	TIRE, RR.(130/70-12 62K)	1	N	Y	20050509	KMYSE1B4R5C000001	KMYSE1B4R6C000491
			42710-SE1-0000-M1	TIRE, RR.(130/70-12 62L)	1	N	Y	20060601	KMYSE1B4R6C000492	KMYSE1B4R7C000517
		3-1	42710-SE1-0010-M1	TIRE, RR.(130/70-12 62L)	1	Y	N	20060816	KMYSE1B4R7C000518	KMYSE1B4R7C000517
		3-2	42711-SE3-0000-M1	TIRE, RR.(130/90-10 61J)	1	Y		20061201	KMYSE1B4R7C000518	
		4	42753-BA7-0000	VALVE, RIM TR413	1	Y	N	20050509	KMYSE1B4R5C000001	KMYSE1B4R7C000517
		4-1	42753-SC1-9500	VALVE, RIM (SWALLOW)	1	Y		20061201	KMYSE1B4R7C000518	
		5	4312A-SA1-0000-EU	SHOE ASS'Y, BRAKE	1	Y		20050509	KMYSE1B4R5C000001	
		6	43120-SA1-0000-EU	SHOE COMP., BRAKE	2	N		20050509	KMYSE1B4R5C000001	
		7	43141-SE1-0000	CAM, RR.BRAKE	1	Y		20050509	KMYSE1B4R5C000001	
		8	43145-SB1-0000	INDICATOR, RR.BRAKE	1	Y		20050509	KMYSE1B4R5C000001	
		9	43410-SE1-0000	ARM, RR.BRAKE	1	Y		20050509	KMYSE1B4R5C000001	
		10	43472-SE5-0200	SPRING, RR.BRAKE ARM	1	Y		20050509	KMYSE1B4R5C000001	
		11	45133-CB2-0000	SPRING, RR.BRAKE SHOE	2	N		20050509	KMYSE1B4R5C000001	

F-11

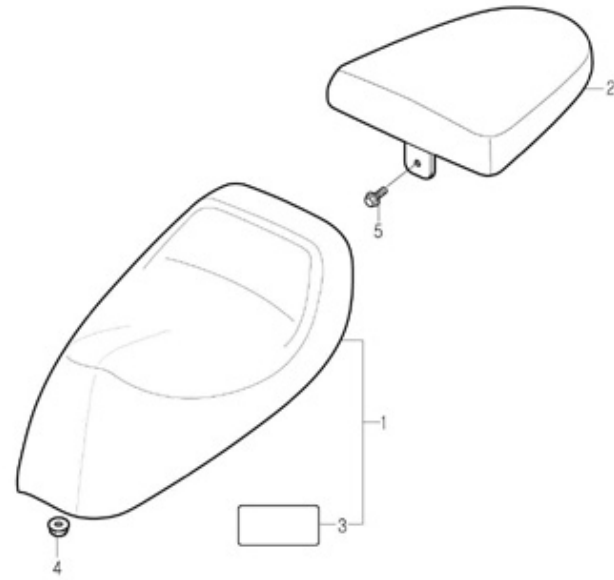
REAR WHEEL



Service item	FRT	Ref. No.	Part No.	Description	QTY	A/S	Exch	Start Date	Start FRM.No	End FRM.No
		12	45134-CB2-0000	SEAL, BRAKE CAM DUST	1	Y		20050509	KMYSE1B4R5C000001	
		13	90305-SE5-0000	NUT, U 14mm	1	Y		20050509	KMYSE1B4R5C000001	
		14	90501-SE6-0000	WASHER 26x14xT2.8	1	Y		20050509	KMYSE1B4R5C000001	
		15	S5015-BA6-0000-M1	NUT B, ADJUST(Y)	1	Y		20050509	KMYSE1B4R5C000001	
		16	S5016-CB3-0000	JOINT B, BRAKE ARM	1	Y		20050509	KMYSE1B4R5C000001	
		17	S5701-06030-08	BOLT, FLANGE 6x30	1	Y		20050509	KMYSE1B4R5C000001	

F-12

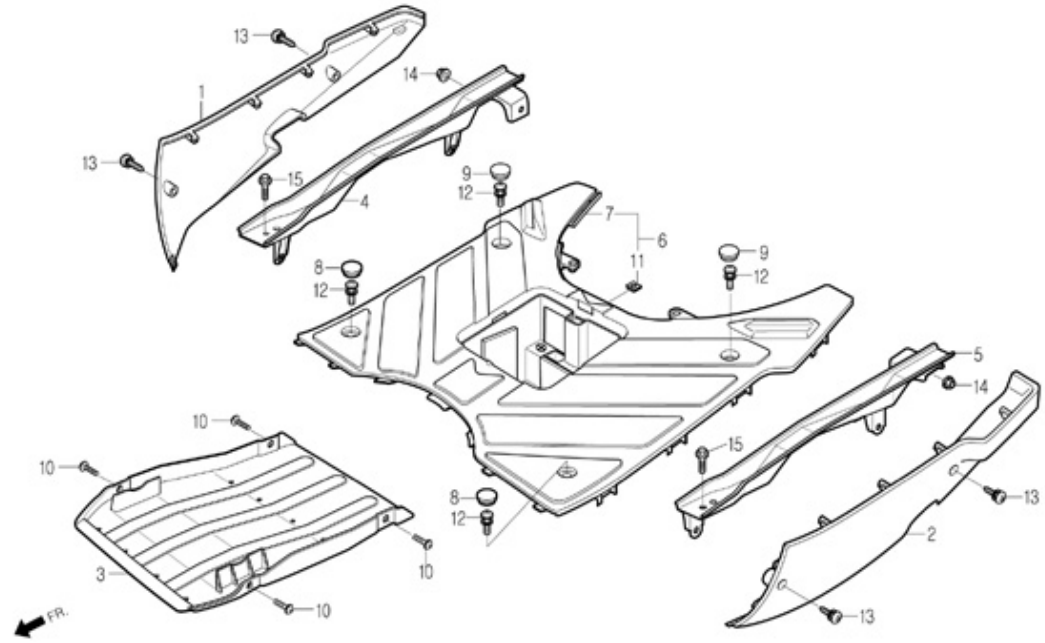
SEAT



Service item	FRT	Ref. No.	Part No.	Description	QTY	A/S	Exch	Start Date	Start FRM.No	End FRM.No
SEAT ASS'Y, MAIN	0.1	1	77200-SE7-RZ00	SEAT ASS`Y, MAIN	1	Y		20050509	KMYSE1B4R5C000001	
SEAT COMP., PILLION	0.1	2	77300-SE7-0000	SEAT COMP., PILLION	1	Y		20050509	KMYSE1B4R5C000001	
		3	87565-SE1-RZ10	CONTROL LABEL, ANTI-TAMPERING	1	Y		20050509	KMYSE1B4R5C000001	
		4	S4050-06080	NUT, FLANGE 6mm	1	Y		20050509	KMYSE1B4R5C000001	
		5	S5701-06016-08	BOLT, FLANGE 6x16	1	Y		20050509	KMYSE1B4R5C000001	

F-13

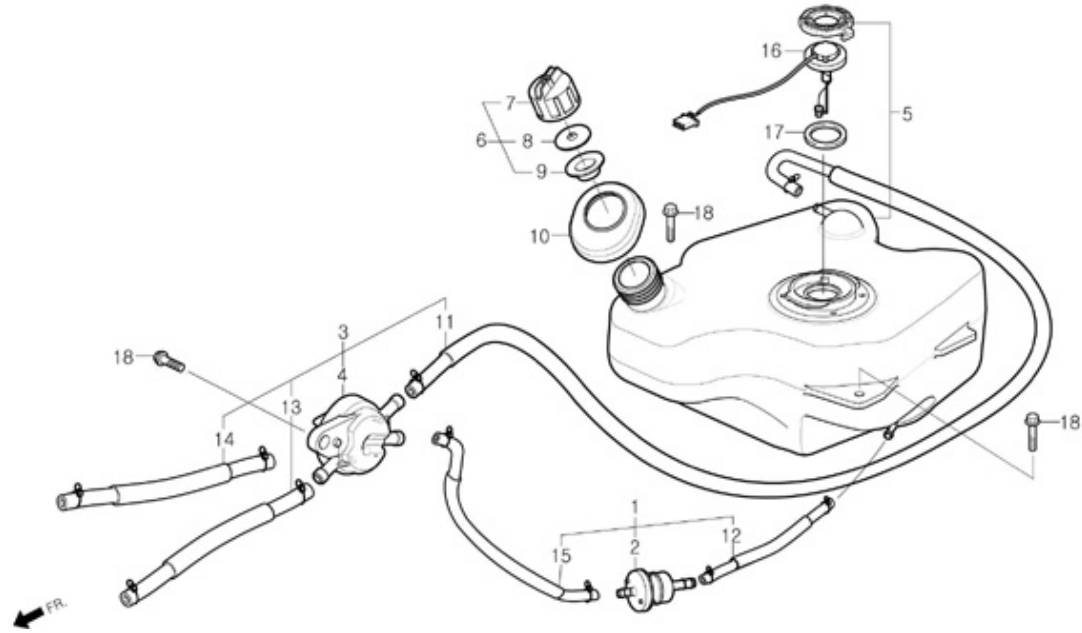
FLOOR PANEL



Service item	FRT	Ref. No.	Part No.	Description	QTY	A/S	Exch	Start Date	Start FRM.No	End FRM.No
COVER, RH.FLOOR SIDE	0.2	1	50613-SE1-0000-MK	COVER, RH.FLOOR SIDE(M/BLACK)	1	Y		20050509	KMYSE1B4R5C000001	
COVER, LH.FLOOR SIDE	0.2	2	50614-SE1-0000-MK	COVER, LH.FLOOR SIDE(M/BLACK)	1	Y		20050509	KMYSE1B4R5C000001	
COVER, UNDER	0.3	3	50621-SE1-0000	COVER, UNDER	1	Y		20050509	KMYSE1B4R5C000001	
PANEL, FLOOR	0.5	4	50700-SE1-0000	BOARD COMP., RH.FLOOR	1	Y		20050509	KMYSE1B4R5C000001	
		5	50800-SE1-0000	BOARD COMP., LH.FLOOR	1	Y		20050509	KMYSE1B4R5C000001	
		6	6431A-SE1-RB00	PANEL ASS'Y, FLOOR	1	Y		20050509	KMYSE1B4R5C000001	
		7	64310-SE1-RB00	PANEL, FLOOR	1	N		20050509	KMYSE1B4R5C000001	
		8	64311-SE1-RB00	CAP A, FLOOR PANEL	2	Y		20050509	KMYSE1B4R5C000001	
		9	64312-SE1-RB00	CAP B, FLOOR PANEL	2	Y		20050509	KMYSE1B4R5C000001	
		10	90192-SB1-0000	SCREW, SPECIAL 5x12	4	Y		20050509	KMYSE1B4R5C000001	
		11	90305-SE5-1000	NUT, CLIP 6mm	1	Y		20050509	KMYSE1B4R5C000001	
		12	S3404-06035-07	BOLT, WASHER 6x35	4	Y		20050509	KMYSE1B4R5C000001	
		13	S3891-05014-08	SCREW, WASHER 5x14	4	Y		20050509	KMYSE1B4R5C000001	
		14	S4050-08080	NUT, FLANGE 8mm	2	Y		20050509	KMYSE1B4R5C000001	
		15	S5701-06010-08	BOLT, FLANGE 6x10	2	Y		20050509	KMYSE1B4R5C000001	

F-14

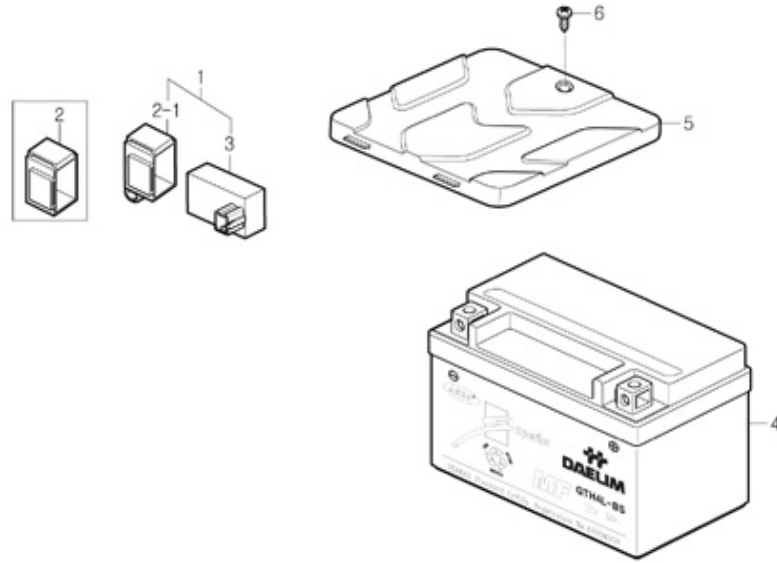
FUEL TANK



Service item	FRT	Ref. No.	Part No.	Description	QTY	A/S	Exch	Start Date	Start FRM.No	End FRM.No
STRAINER COMP., FUEL	0.2	1	1691A-SE1-0000	STRAINER ASS'Y, FUEL	1	Y		20050509	KMYSE1B4R5C000001	
COCK ASS'Y, FUEL	0.5	2	16910-CB2-9110-M1	STRAINER COMP., FUEL	1	Y		20050509	KMYSE1B4R5C000001	
FUEL TANK COMP., FUEL		3	1695A-SE1-RZ00	COCK SET, FUEL	1	Y		20050509	KMYSE1B4R5C000001	
FUEL GAGE ASS'Y, FUEL		4	16950-SE1-0100-M3	COCK ASS'Y, FUEL	1	Y		20050509	KMYSE1B4R5C000001	
		5	17510-SE7-0000	TANK COMP., FUEL	1	Y		20050509	KMYSE1B4R5C000001	
		6	17620-SA1-0000	CAP ASS'Y, FUEL	1	Y		20050509	KMYSE1B4R5C000001	
		7	17621-SA1-0000	BODY, FUEL CAP	1	N		20050509	KMYSE1B4R5C000001	
		8	17622-SA1-0000	PLATE, FUEL CAP	1	N		20050509	KMYSE1B4R5C000001	
		9	17623-SA1-0000	PACKING, FUEL CAP	1	N		20050509	KMYSE1B4R5C000001	
		10	17630-SE7-0000	RUBBER, FUEL GUIDE	1	Y		20050509	KMYSE1B4R5C000001	
		11	17681-SA1-0100	TUBE, PLUSE	1	Y		20050509	KMYSE1B4R5C000001	
		12	17682-SE1-0000	TUBE B, FUEL 5.3x50	1	Y		20050509	KMYSE1B4R5C000001	
		13	17683-SE1-RZ00	TUBE, FUEL 4.5x250	1	Y		20050509	KMYSE1B4R5C000001	
		14	17684-SE1-0000	TUBE, FUEL 4.5x220	1	Y		20050509	KMYSE1B4R5C000001	
		15	17685-SE1-0000	TUBE, FUEL 5.3x105	1	Y		20050509	KMYSE1B4R5C000001	
		16	37800-SE3-0000-M3	GAGE ASS'Y, FUEL	1	Y		20050509	KMYSE1B4R5C000001	
		17	37801-SE5-7000	PACKING, BASE	1	Y		20050509	KMYSE1B4R5C000001	
		18	S5701-06016-08	BOLT, FLANGE 6x16	3	Y		20050509	KMYSE1B4R5C000001	

F-15

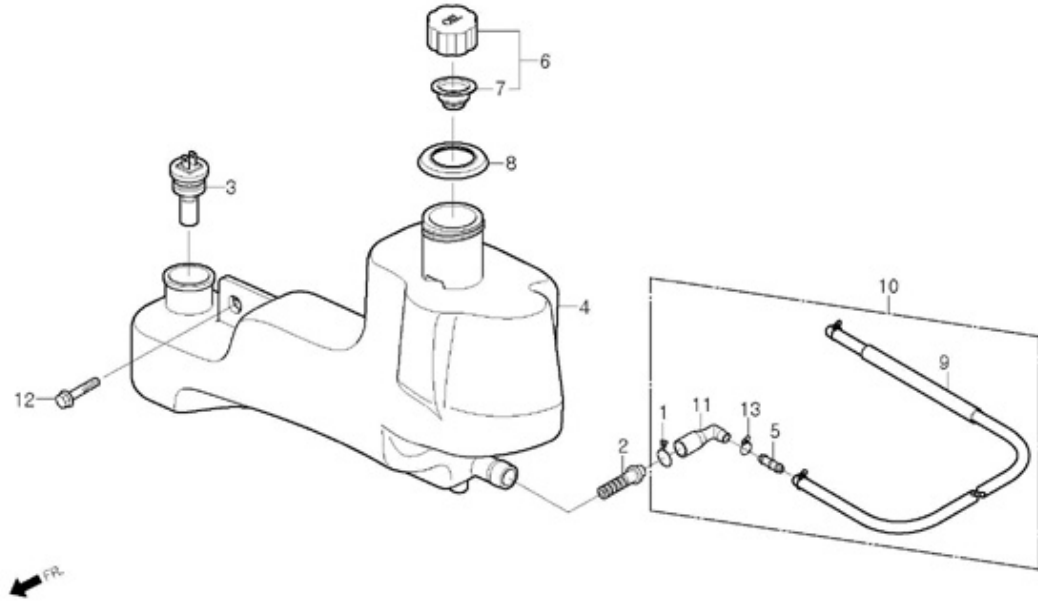
BATTERY



Service item	FRT	Ref. No.	Part No.	Description	QTY	A/S	Exch	Start Date	Start FRM.No	End FRM.No
UNIT COMP., CDI BATTERY	0.4	1	30400-SE1-RZ10	UNIT ASS'Y, CDI	1	Y		20050509	KMYSE1B4R5C000001	
	0.2	2	30401-BA6-0000	CUSHION, CDI UNIT	1	N	Y	20050509	KMYSE1B4R5C000001	KMYSE1B4R6C000253
		2-1	30401-BA6-0010	CUSHION, CDI UNIT	1	N		20051101	KMYSE1B4R6C000254	
		3	30410-SE1-RZ10	UNIT COMP., CDI	1	N		20050509	KMYSE1B4R5C000001	
		4	31500-SC1-9500-M2	BATTERY ASS'Y, GTH4L-BS(12V 3A)	1	Y		20050509	KMYSE1B4R5C000001	
		5	50326-SE1-RB00	COVER, BATTERY	1	Y		20050509	KMYSE1B4R5C000001	
		6	90001-SE1-0000	SCREW, TORUS 6x25	1	Y		20050509	KMYSE1B4R5C000001	

F-16

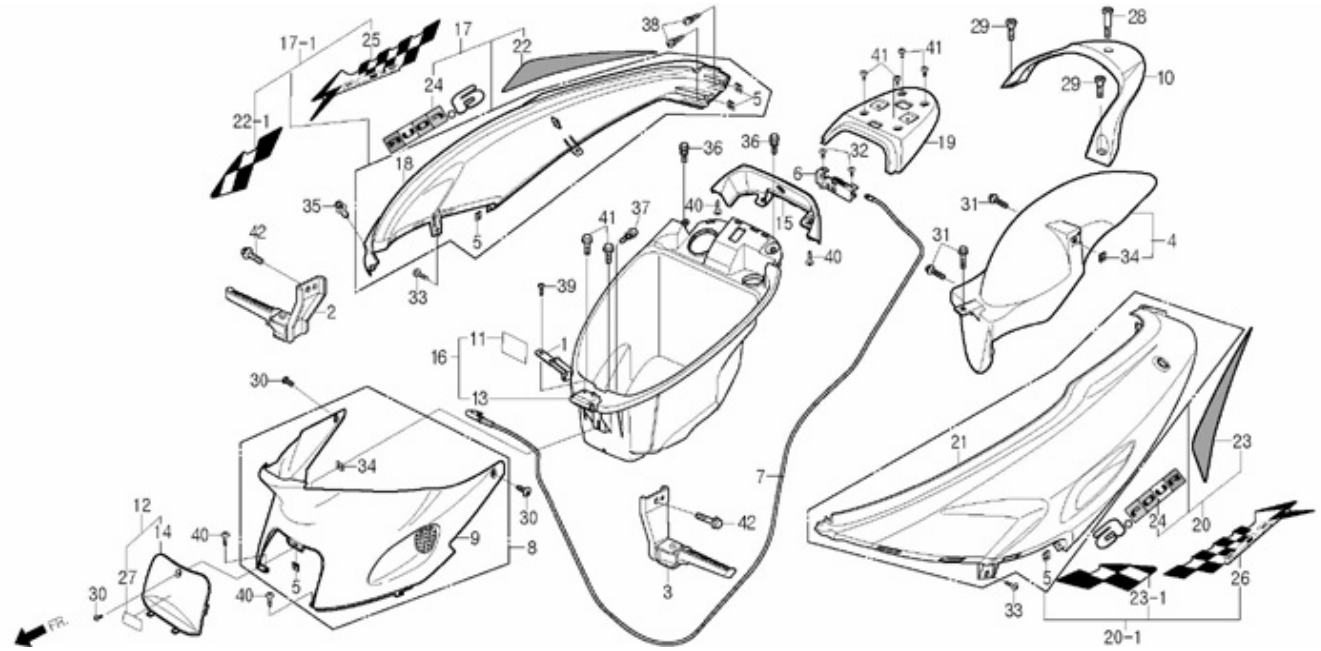
OIL TANK



Service item	FRT	Ref. No.	Part No.	Description	QTY	A/S	Exch	Start Date	Start FRM.No	End FRM.No
STRAINER, OIL SWITCH ASS'Y, OIL LEVEL TANK, OIL	0.5	1	15772-SC1-9500	CLIP B, BREATHER TUBE	1	N		20050509	KMYSE1B4R5C000001	
	0.5	2	17502-SE5-0000	STRAINER, OIL	1	Y		20050509	KMYSE1B4R5C000001	
	0.5	3	35410-SE5-9000	SWITCH ASS'Y, OIL LEVEL	1	Y		20050509	KMYSE1B4R5C000001	
		4	55100-SE7-0000	TANK, OIL	1	Y		20050509	KMYSE1B4R5C000001	
		5	55102-BA6-0000	JOINT, OIL TUBE	1	N		20050509	KMYSE1B4R5C000001	
		6	55105-SE1-0000	CAP ASS'Y, OIL	1	Y		20050509	KMYSE1B4R5C000001	
		7	55107-SE5-0000	PACKING, OIL CAP	1	N		20050509	KMYSE1B4R5C000001	
		8	55121-SE5-6000	RUBBER, OIL GUIDE	1	Y		20050509	KMYSE1B4R5C000001	
		9	55123-SE1-0000	TUBE, DIAMETER 5.3 OIL	1	N		20050509	KMYSE1B4R5C000001	
		10	55200-SE1-0000	TUBE ASS'Y, OIL	1	Y		20050509	KMYSE1B4R5C000001	
		11	55201-SE5-0000	JOINT, OIL STRAINER	1	N		20050509	KMYSE1B4R5C000001	
		12	90111-SE5-1000	BOLT, FLANGE 6mm	1	Y		20050509	KMYSE1B4R5C000001	
			13	S5002-50000	CLIP, C9 TUBE	1	N		20050509	KMYSE1B4R5C000001

F-17

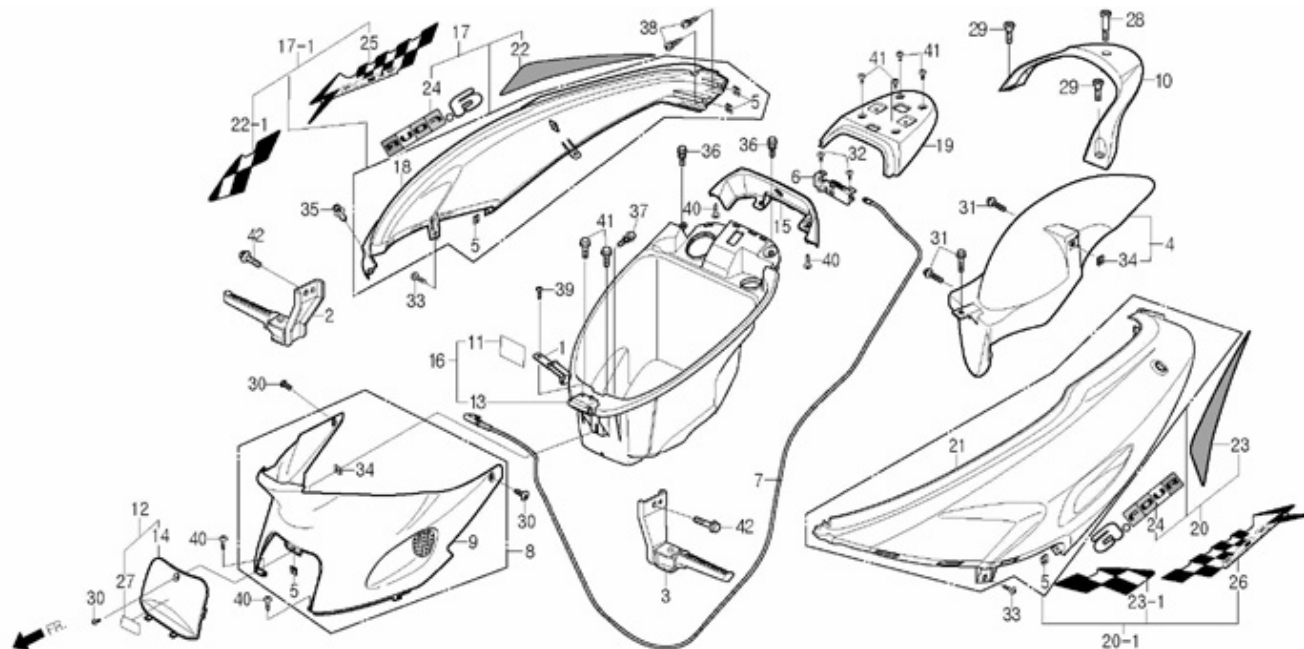
BODY COVER / LUGGAGE BOX



Service item	FRT	Ref. No.	Part No.	Description	QTY	A/S	Exch	Start Date	Start FRM.No	End FRM.No
CATCH COMP., SEAT	0.5	1	50187-SE7-0000	STAY, HELMET HOLDER	1	N		20050509	KMYSE1B4R5C000001	
CARRIER COMP., LUGGAGE	0.5	2	50801-SE1-0000	BAR ASS'Y, RH.PILLION STEP	1	Y		20050509	KMYSE1B4R5C000001	
COVER, RH.BODY	0.3	3	50802-SE1-0000	BAR ASS'Y, LH.PILLION STEP	1	Y		20050509	KMYSE1B4R5C000001	
(ADD 0.1 FOR EACH)	0.3									
COVER, CENTER	0.1	4	61120-SE1-RZ00	MUDGUARD, RR.WHEEL	1	Y		20050509	KMYSE1B4R5C000001	
BOX ASS'Y, LUGGAGE	0.2									
COVER, SPARK PLUG MAINTENANCE	0.2	5	64527-BA6-7000	NUT, CLIP 4mm	5	Y		20050509	KMYSE1B4R5C000001	
CARRIER COMP., LUGGAGE	0.2									
BAR ASS'Y, RH.PILLION STEP	0.2									
BAR ASS'Y, LH.PILLION STEP	0.2									
		6	77235-SA1-0110	CATCH COMP., SEAT	1	Y		20050509	KMYSE1B4R5C000001	
		7	77240-SE7-0000	CABLE, SEAT LOCK	1	Y		20050509	KMYSE1B4R5C000001	
		8	8015A-SE1-RB00	COVER ASS'Y, CENETR	1	Y		20050509	KMYSE1B4R5C000001	
		9	80151-SE1-RB00	COVER, CENETR	1	N		20050509	KMYSE1B4R5C000001	
		10	81200-SE1-0000	CARRIER, RR	1	Y		20050509	KMYSE1B4R5C000001	
		11	81218-SE5-3000-B1	LABEL, LUGGAGE BOX CAUTION(ENGLISH)	1	Y		20050509	KMYSE1B4R5C000001	
			81218-SA1-RB00	LABEL, LUGGAGE BOX CAUTION(GERMANY)	1	Y		20050509	KMYSE1B4R5C000001	
			81218-SE5-RC00	LABEL, LUGGAGE BOX CAUTION(ITALY)	1	Y		20050509	KMYSE1B4R5C000001	
			81218-SE5-RE00	LABEL, LUGGAGE BOX CAUTION(FRANCE)	1	Y		20050509	KMYSE1B4R5C000001	
			81218-SE5-RJ00	LABEL, LUGGAGE BOX CAUTION(SPAIN)	1	Y		20050509	KMYSE1B4R5C000001	
		12	8125A-SE1-MA00	COVER ASS'Y, S/P MAINTENANCE(ENGLISH)	1	Y	N	20050509	KMYSE1B4R5C000001	KMYSE1B4R6C000253
			8125A-SE1-MA10	COVER ASS'Y, S/P MAINTENANCE(ENGLISH)	1	Y		20051201	KMYSE1B4R6C000254	
			8125A-SE1-RB00	COVER ASS'Y, S/P MAINTENANCE(GERMANY)	1	Y	N	20050509	KMYSE1B4R5C000001	KMYSE1B4R6C000253
			8125A-SE1-RB10	COVER ASS'Y, S/P MAINTENANCE(GERMANY)	1	Y		20051201	KMYSE1B4R6C000254	
			8125A-SE1-RC00	COVER ASS'Y, S/P MAINTENANCE(ITALY)	1	Y	N	20050509	KMYSE1B4R5C000001	KMYSE1B4R6C000253
			8125A-SE1-RC10	COVER ASS'Y, S/P MAINTENANCE(ITALY)	1	Y		20051201	KMYSE1B4R6C000254	
			8125A-SE1-RE00	COVER ASS'Y, S/P MAINTENANCE(FRANCE)	1	Y	N	20050509	KMYSE1B4R5C000001	KMYSE1B4R6C000253

F-17

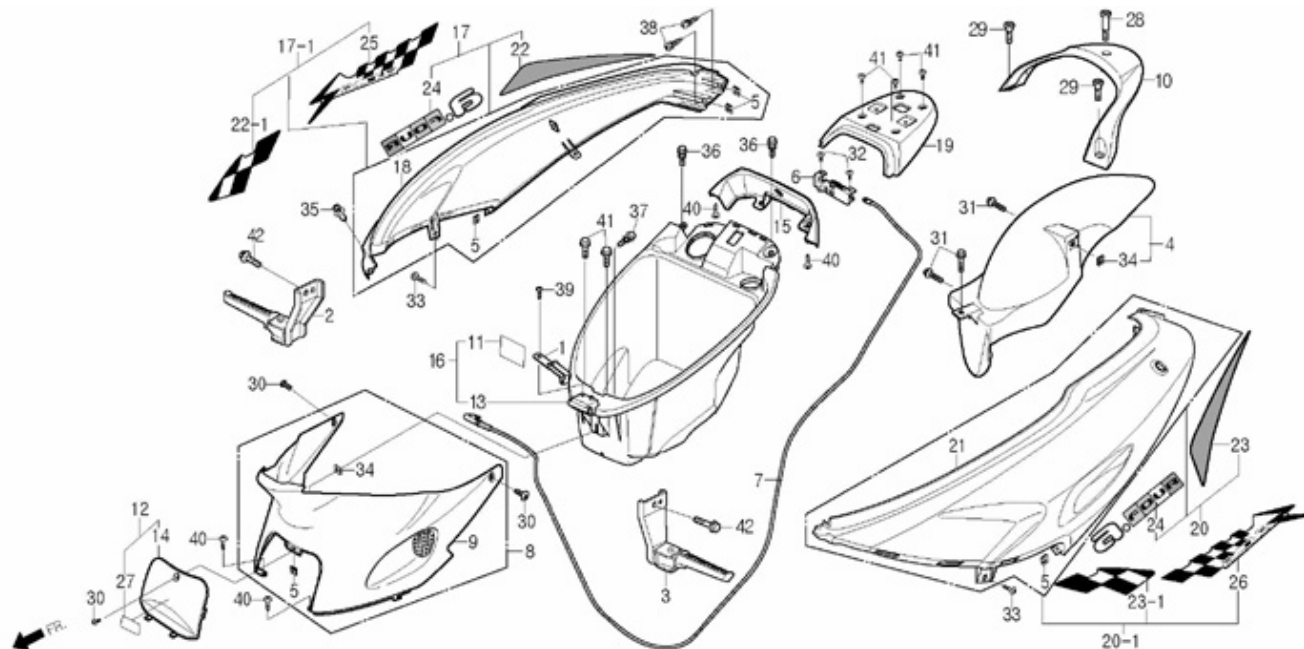
BODY COVER / LUGGAGE BOX



Service item	FRT	Ref. No.	Part No.	Description	QTY	A/S	Exch	Start Date	Start FRM.No	End FRM.No
			8125A-SE1-RE10	COVER ASS'Y, S/P MAINTENANCE(FRANCE)	1	Y		20051201	KMYSE1B4R6C000254	
			8125A-SE1-RJ00	COVER ASS'Y, S/P MAINTENANCE(SPAIN)	1	Y	N	20050509	KMYSE1B4R5C000001	KMYSE1B4R6C000253
			8125A-SE1-RJ10	COVER ASS'Y, S/P MAINTENANCE(SPAIN)	1	Y		20051201	KMYSE1B4R6C000254	
		13	81250-SE7-0000	BOX, LUGGAGE	1	N		20050509	KMYSE1B4R5C000001	
		14	81251-SE1-RB00	COVER, SPARK PLUG MAINTENANCE	1	N		20050509	KMYSE1B4R5C000001	
		15	81253-SE7-0000	BOX COVER, LUGGAGE	1	Y		20050509	KMYSE1B4R5C000001	
		16	81260-SE7-MA00	BOX ASS'Y, LUGGAGE(ENGLISH)	1	Y		20050509	KMYSE1B4R5C000001	
			81260-SE7-RB00	BOX ASS'Y, LUGGAGE(GERMANY)	1	Y		20050509	KMYSE1B4R5C000001	
			81260-SE7-RC00	BOX ASS'Y, LUGGAGE(ITALY)	1	Y		20050509	KMYSE1B4R5C000001	
			81260-SE7-RE00	BOX ASS'Y, LUGGAGE(FRANCE)	1	Y		20050509	KMYSE1B4R5C000001	
			81260-SE7-RJ00	BOX ASS'Y, LUGGAGE(SPAIN)	1	Y		20050509	KMYSE1B4R5C000001	
		17	83450-SE7-0000-BK	COVER SET, RH.BODY(BLACK)	1	Y		20050509	KMYSE1B4R5C000001	KMYSE1B4R7C000517
			83450-SE7-0000-BL	COVER SET, RH.BODY(S/BLUE)	1	Y		20050509	KMYSE1B4R5C000001	KMYSE1B4R7C000517
			83450-SE7-0000-SL	COVER SET, RH.BODY(SILVER)	1	Y		20050509	KMYSE1B4R5C000001	KMYSE1B4R7C000517
		17-1	83450-SE7-RZ00-DL	COVER SET, RH.BODY(DL/BLUE)	1	Y		20061201	KMYSE1B4R7C000518	
			83450-SE7-RZ00-SO	COVER SET, RH.BODY(S/ORANGE)	1	N		20061201	KMYSE1B4R7C000518	
		18	83500-SE1-0000-BK	COVER, RH.BODY(BLACK)	1	N		20050509	KMYSE1B4R5C000001	KMYSE1B4R7C000517
			83500-SE1-0000-BL	COVER, RH.BODY(S/BLUE)	1	N		20050509	KMYSE1B4R5C000001	KMYSE1B4R7C000517
			83500-SE1-0000-SL	COVER, RH.BODY(SILVER)	1	N		20050509	KMYSE1B4R5C000001	KMYSE1B4R7C000517
			83500-SE1-0000-DL	COVER, RH.BODY(DL/BLUE)	1	N		20061201	KMYSE1B4R7C000518	
			83500-SE1-0000-SO	COVER, RH.BODY(S/ORANGE)	1	N		20061201	KMYSE1B4R7C000518	
		19	83503-SE7-0000	COVER, RR.UPPER	1	Y		20050509	KMYSE1B4R5C000001	
		20	83550-SE7-0000-BK	COVER SET, LH.BODY(BLACK)	1	Y		20050509	KMYSE1B4R5C000001	KMYSE1B4R7C000517

F-17

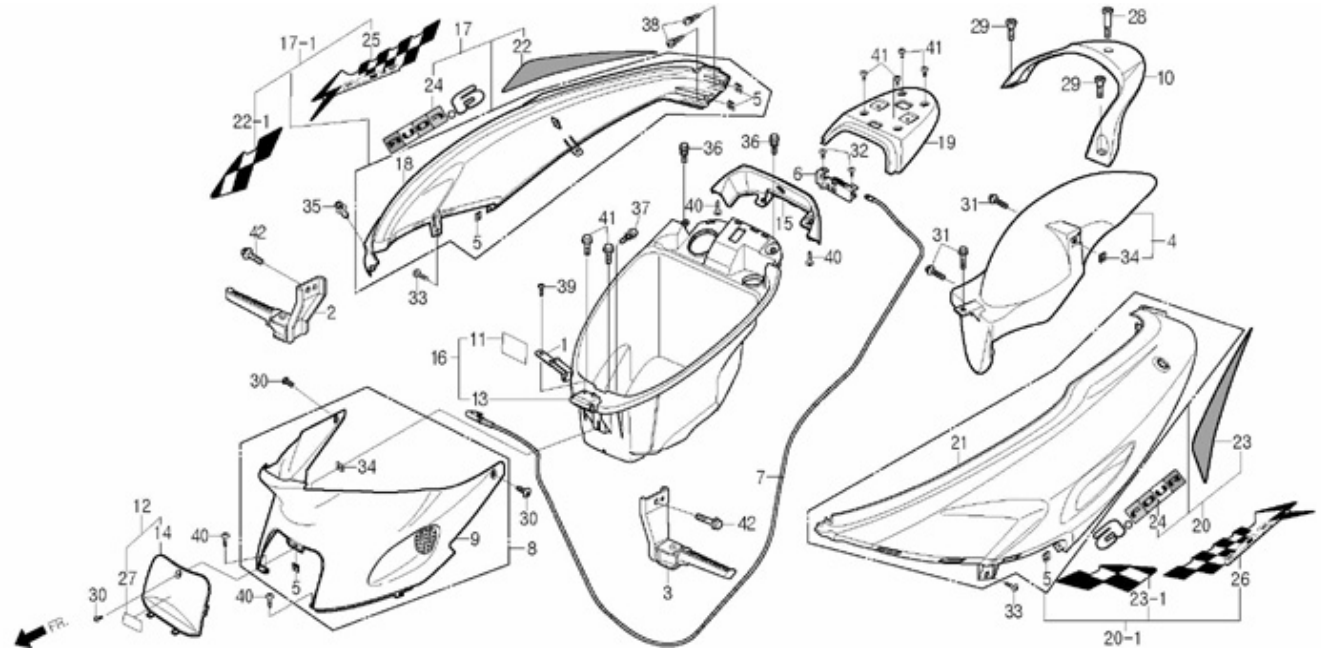
BODY COVER / LUGGAGE BOX



Service item	FRT	Ref. No.	Part No.	Description	QTY	A/S	Exch	Start Date	Start FRM.No	End FRM.No
			83550-SE7-0000-BL	COVER SET, LH.BODY(S/BLUE)	1	Y		20050509	KMYSE1B4R5C000001	KMYSE1B4R7C000517
			83550-SE7-0000-SL	COVER SET, LH.BODY(SILVER)	1	Y		20050509	KMYSE1B4R5C000001	KMYSE1B4R7C000517
		20-1	83550-SE7-RZ00-DL	COVER SET, LH BODY(DL/BLUE)	1	Y		20061201	KMYSE1B4R7C000518	
			83550-SE7-RZ00-SO	COVER SET, LH BODY(S/ORANGE)	1	Y		20061201	KMYSE1B4R7C000518	
		21	83600-SE1-0000-BK	COVER, LH.BODY(BLACK)	1	N		20050509	KMYSE1B4R5C000001	KMYSE1B4R7C000517
			83600-SE1-0000-BL	COVER, LH.BODY(S/BLUE)	1	N		20050509	KMYSE1B4R5C000001	KMYSE1B4R7C000517
			83600-SE1-0000-SL	COVER, LH.BODY(SILVER)	1	N		20050509	KMYSE1B4R5C000001	KMYSE1B4R7C000517
			83600-SE1-0000-DL	COVER, LH.BODY(DL/BLUE)	1	N		20061201	KMYSE1B4R7C000518	
			83600-SE1-0000-SO	COVER, LH.BODY(S/ORANGE)	1	N		20061201	KMYSE1B4R7C000518	
		22	87125-SE7-0000	STRIPE, RH.BODY COVER	1	Y		20050509	KMYSE1B4R5C000001	KMYSE1B4R7C000517
		22-1	87125-SE7-RZ00-DL	STRIPE B, RH.BODY COVER(DL/BLUE)	1	Y		20061201	KMYSE1B4R7C000518	
			87125-SE7-RZ00-SO	STRIPE B, RH.BODY COVER(S/ORANGE)	1	Y		20061201	KMYSE1B4R7C000518	
		23	87126-SE7-0000	STRIPE, LH.BODY COVER	1	Y		20050509	KMYSE1B4R5C000001	KMYSE1B4R7C000517
		23-1	87126-SE7-RZ00-DL	STRIPE B, LH.BODY COVER(D/BLUE)	1	Y		20061201	KMYSE1B4R7C000518	
			87126-SE7-RZ00-SO	STRIPE B, LH.BODY COVER(S/ORANGE)	1	Y		20061201	KMYSE1B4R7C000518	
		24	87130-SE7-0000-BK	MARK, BODY COVER(BLACK)	2	Y		20050509	KMYSE1B4R5C000001	KMYSE1B4R7C000517
			87130-SE7-0000-BL	MARK, BODY COVER(S/BLUE)	2	Y		20050509	KMYSE1B4R5C000001	KMYSE1B4R7C000517
			87130-SE7-0000-SL	MARK, BODY COVER(SILVER)	2	Y		20050509	KMYSE1B4R5C000001	KMYSE1B4R7C000517
		25	87131-SE7-RZ00-DL	STRIPE A, RH.BODY COVER(DL/BLUE)	1	Y		20061201	KMYSE1B4R7C000518	
			87131-SE7-RZ00-SO	STRIPE A, RH.BODY COVER(S/ORANGE)	1	Y		20061201	KMYSE1B4R7C000518	
		26	87132-SE7-RZ00-DL	STRIPE A, LH.BODY COVER(DL/BLUE)	1	Y		20061201	KMYSE1B4R7C000518	
			87132-SE7-RZ00-SO	STRIPE A, LH.BODY COVER(S/ORANGE)	1	Y		20061201	KMYSE1B4R7C000518	
		27	87505-SE1-MA00	LABEL, TIRE(ENGLISH)	1	N	N	20050509	KMYSE1B4R5C000001	KMYSE1B4R6C000253

F-17

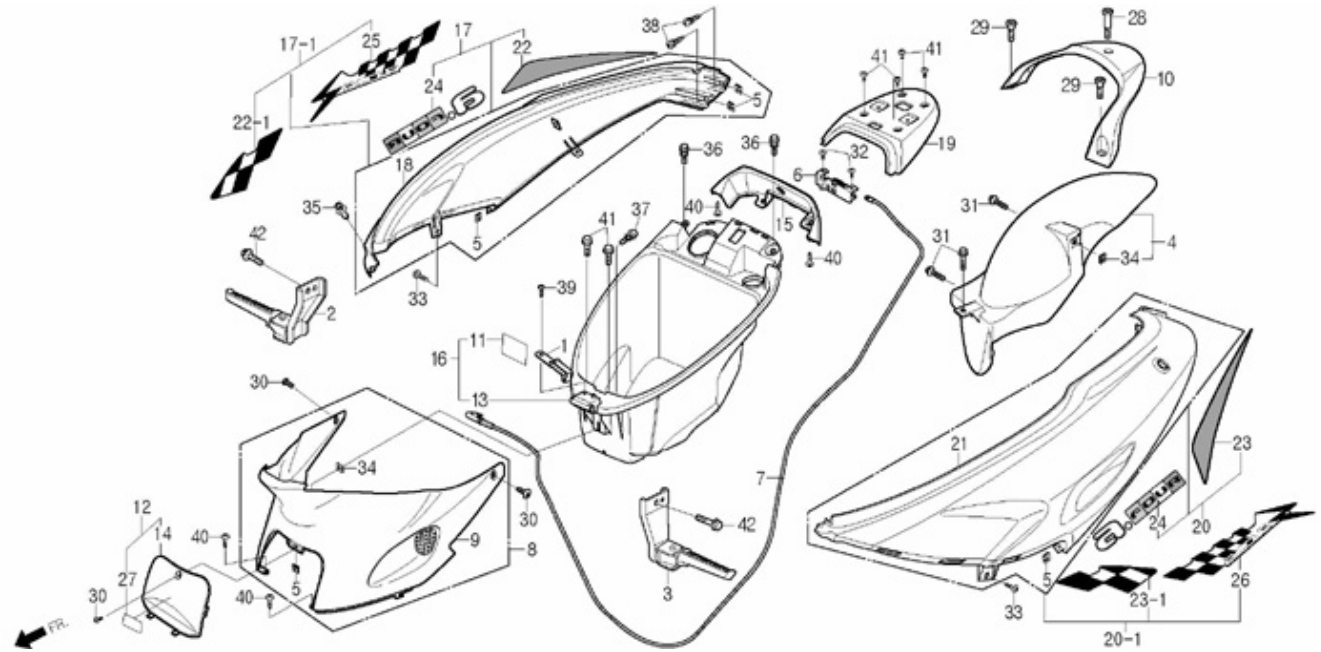
BODY COVER / LUGGAGE BOX



Service item	FRT	Ref. No.	Part No.	Description	QTY	A/S	Exch	Start Date	Start FRM.No	End FRM.No
			87505-SE1-MA10	LABEL, TIRE(ENGLISH)	1	N		20051201	KMYSE1B4R6C000254	
			87505-SE1-RB00	LABEL, TIRE(GERMANY)	1	N	N	20050509	KMYSE1B4R5C000001	KMYSE1B4R6C000253
			87505-SE1-RB10	LABEL, TIRE(GERMANY)	1	N		20051201	KMYSE1B4R6C000254	
			87505-SE1-RC00	LABEL, TIRE(ITALY)	1	N	N	20050509	KMYSE1B4R5C000001	KMYSE1B4R6C000253
			87505-SE1-RC10	LABEL, TIRE(ITALY)	1	N		20051201	KMYSE1B4R6C000254	
			87505-SE1-RE00	LABEL, TIRE(FRANCE)	1	N	N	20050509	KMYSE1B4R5C000001	KMYSE1B4R6C000253
			87505-SE1-RE10	LABEL, TIRE(FRANCE)	1	N		20051201	KMYSE1B4R6C000254	
			87505-SE1-RJ00	LABEL, TIRE(SPAIN)	1	N	N	20050509	KMYSE1B4R5C000001	KMYSE1B4R6C000253
			87505-SE1-RJ10	LABEL, TIRE(SPAIN)	1	N		20051201	KMYSE1B4R6C000254	
		28	90105-SE1-0000	BOLT, SPECIAL 8x49	1	Y		20050509	KMYSE1B4R5C000001	
		29	90106-SE1-0000	BOLT, SPECIAL 8x24	2	Y		20050509	KMYSE1B4R5C000001	
		30	90111-SA1-0000	SCREW, SPECIAL 4x14	3	Y		20050509	KMYSE1B4R5C000001	
		31	90111-SE5-1000	BOLT, FLANGE 6mm	3	Y		20050509	KMYSE1B4R5C000001	
		32	90190-SC1-0000	SCREW, SPECIAL 6x10	2	Y		20050509	KMYSE1B4R5C000001	
		33	90192-SB1-0000	SCREW, SPECIAL 5x12	2	Y		20050509	KMYSE1B4R5C000001	
		34	90305-SE5-1000	NUT, CLIP 6mm	2	Y		20050509	KMYSE1B4R5C000001	
		35	90683-SE5-0030	CLIP, BODY COVER	1	Y		20050509	KMYSE1B4R5C000001	
		36	S3404-06012-08	BOLT, WASHER 6x12	2	Y		20050509	KMYSE1B4R5C000001	
		37	S3404-06020-08	BOLT, WASHER 6x20	1	Y		20050509	KMYSE1B4R5C000001	
		38	S3891-04012-08	SCREW, WASHER 4x12	2	Y		20050509	KMYSE1B4R5C000001	
		39	S3903-25320	SCREW, TAPPING 5x16	1	Y		20050509	KMYSE1B4R5C000001	
		40	S3903-34420	SCREW, TAPPING 4x16	4	Y		20050509	KMYSE1B4R5C000001	

F-17

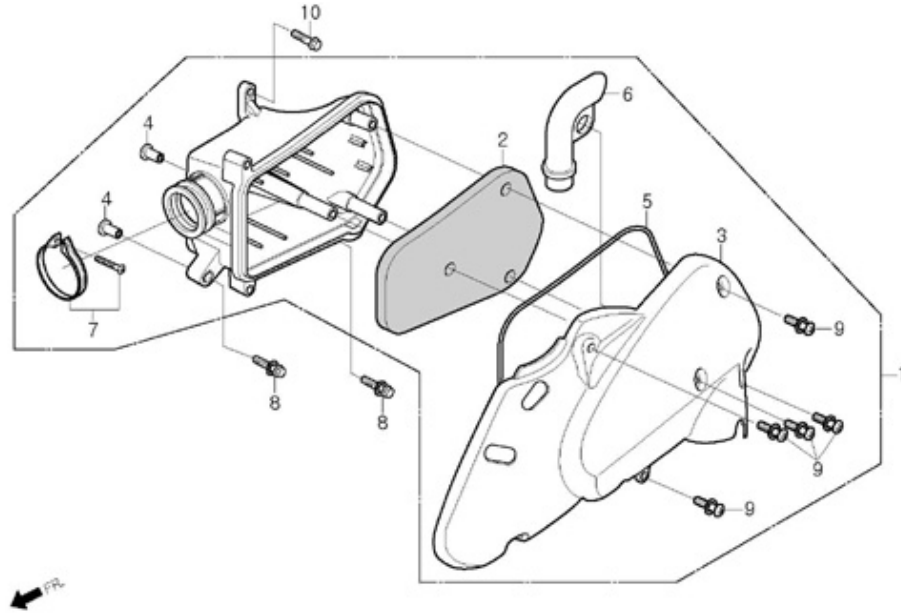
BODY COVER / LUGGAGE BOX



Service item	FRT	Ref. No.	Part No.	Description	QTY	A/S	Exch	Start Date	Start FRM.No	End FRM.No
		41	S5701-06012-08	BOLT, FLANGE 6x12	6	Y		20050509	KMYSE1B4R5C000001	
		42	S5701-08016-08	BOLT, FLANGE 8x16	2	Y		20050509	KMYSE1B4R5C000001	

F-18

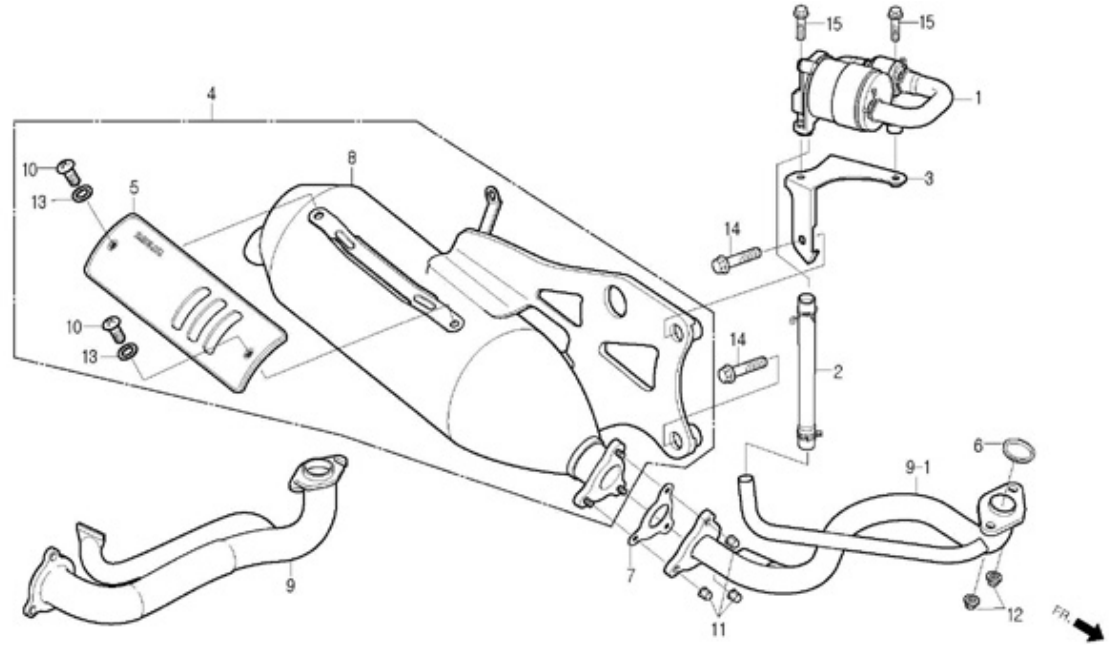
AIR CLEANER



Service item	FRT	Ref. No.	Part No.	Description	QTY	A/S	Exch	Start Date	Start FRM.No	End FRM.No
ELEMENT, AIR CLEANER	0.3	1	17200-SE1-RZ00	CLEANER ASS'Y, AIR	1	Y		20050509	KMYSE1B4R5C000001	
COVER, AIR CLEANER	0.1	2	17205-SE1-0000	ELEMENT, AIR CLEANER	1	Y		20050509	KMYSE1B4R5C000001	
CLEANER ASS'Y, AIR	0.4	3	17207-SE1-0000	COVER, AIR CLEANER	1	N		20050509	KMYSE1B4R5C000001	
		4	17208-SE5-0100	COLLAR, AIR CLEANER SETTING	2	N		20050509	KMYSE1B4R5C000001	
		5	17212-SE1-0000	SEAL, AIR CLEANER COVER	1	N		20050509	KMYSE1B4R5C000001	
		6	17215-SE6-9800-H1	DUCT, AIR CLEANER	1	N		20050509	KMYSE1B4R5C000001	
		7	90652-BA6-6400	BAND 42, AIR CLEANER CONNECTING TUBE	1	N		20050509	KMYSE1B4R5C000001	
		8	S3404-06028-08	BOLT, WASHER 6x28	2	Y		20050509	KMYSE1B4R5C000001	
		9	S3891-05012-07	SCREW, WASHER 5x12	5	N		20050509	KMYSE1B4R5C000001	
		10	S5701-06020-08	BOLT, FLANGE 6x20	1	Y		20050509	KMYSE1B4R5C000001	

F-19

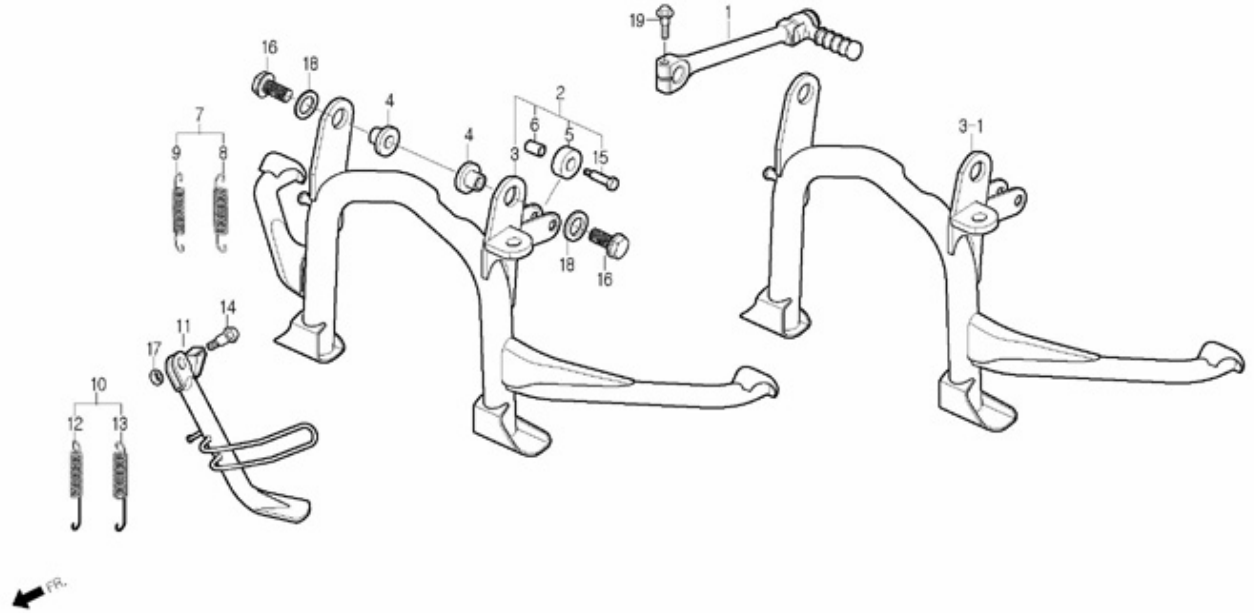
EXHAUST MUFFLER



Service item	FRT	Ref. No.	Part No.	Description	QTY	A/S	Exch	Start Date	Start FRM.No	End FRM.No
GSAKET, EXHAUST PIPE MUFFLER COMP. PROTECTOR, MUFFLER	0.3	1	17300-SE1-RZ00	AIR FILTER ASS'Y, SECONDARY	1	Y		20050509	KMYSE1B4R5C000001	
	0.5	2	17330-SE1-RZ00	TUBE A ASS'Y, A.I.A.C	1	Y		20050509	KMYSE1B4R5C000001	
	0.1	3	17395-SE1-RZ00	BRACKET, A.I.AIR CLEANER	1	Y		20050509	KMYSE1B4R5C000001	
		4	18210-SE1-RZ00	SUB ASS'Y, MUFFLER	1	Y		20050509	KMYSE1B4R5C000001	
	5	18240-SB1-1000	PROTECTOR, MUFFLER	1	Y		20050509	KMYSE1B4R5C000001		
	6	18291-SE5-5000-EU	GASKET, EXHAUST PIPE	1	N	Y	20050509	KMYSE1B4R5C000001	KMYSE1B4R7C000886	
		18291-CB2-RB00	GASKET, EXHAUST PIPE	1	Y		20070701	KMYSE1B4R7C000887		
	7	18292-SE1-0100	GASKET, EXHAUST PIPE FLANGE	1	Y		20050509	KMYSE1B4R5C000001		
	8	18310-SE1-RZ00	MUFFLER COMP.	1	N		20050509	KMYSE1B4R5C000001		
	9	18320-SE1-RB40	PIPE COMP., EXHAUST(Germany only)	1	Y		20050509	KMYSE1B4R5C000001		
	9-1	18320-SE1-RZ00	PIPE COMP., EXHAUST	1	Y		20050509	KMYSE1B4R5C000001		
	10	90011-SE1-0000	SCREW, SPECIAL 5x8	2	Y		20050509	KMYSE1B4R5C000001		
	11	90304-BA7-0000	NUT, HEX CAP 6mm	3	Y		20050509	KMYSE1B4R5C000001		
	12	S4050-06080	NUT, FLANGE 6mm	2	Y		20050509	KMYSE1B4R5C000001		
	13	S4101-05000	WASHER, PLAIN 5mm	2	Y		20050509	KMYSE1B4R5C000001		
14	S5701-08035-08	BOLT, FLANGE 8x35	2	Y		20050509	KMYSE1B4R5C000001			
15	S6001-06020-00	BOLT, FLANGE SH.6x20	2	Y		20050509	KMYSE1B4R5C000001			

F-20

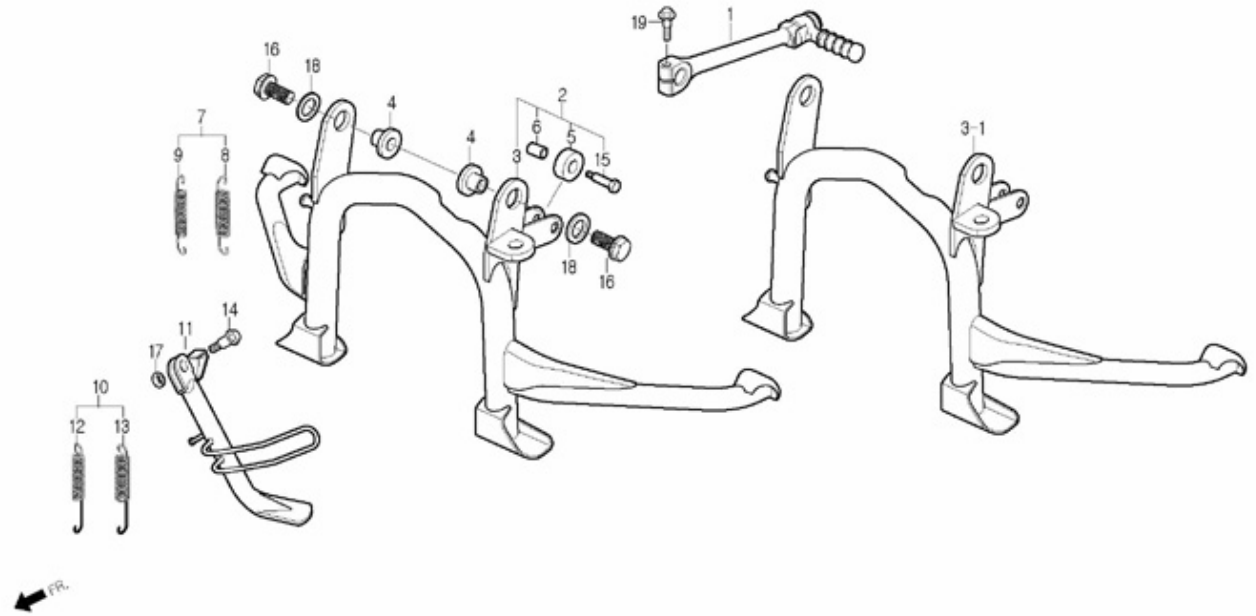
STAND



Service item	FRT	Ref. No.	Part No.	Description	QTY	A/S	Exch	Start Date	Start FRM.No	End FRM.No
ARM ASS'Y, KICK STARTER	0.1	1	28300-SE1-0000-M3	ARM ASS'Y, KICK STARTER(NICKEL PLATING)	1	Y		20050509	KMYSE1B4R5C000001	
SPRING, MAIN STAND	0.5		28300-SE5-5000-M3	ARM ASS'Y, KICK STARTER(BLACK)	1	Y		20060720	KMYSE1B4R7C000517	
STAND COMP., MAIN	0.3	2	5050A-SE1-RB20	STAND ASS'Y, MAIN(EU)	1	Y		20050509	KMYSE1B4R5C000001	
BAR COMP., SIDE STAND			5050A-SE1-0020	STAND ASS'Y, MAIN(SPAIN)	1	Y		20070321	KMYSE1B4R7C000750	
SPRING, SIDE STAND		3	50500-SE1-RB20	STAND COMP., MAIN(EU)	1	N	Y	20050509	KMYSE1B4R5C000001	KMYSE1B4R7C000819
			50500-SE1-RB30	STAND COMP., MAIN(EU)	1	N		20070419	KMYSE1B4R7C000820	
		3-1	50500-SE1-0020	STAND COMP., MAIN(SPAIN)	1	N	Y	20070321	KMYSE1B4R7C000750	KMYSE1B4R7C000819
			50500-SE1-0030	STAND COMP., MAIN(SPAIN)	1	N		20070419	KMYSE1B4R7C000820	
		4	50504-SE5-6700	COLLAR, MAIN STAND	2	N		20050509	KMYSE1B4R5C000001	
		5	50505-SE1-1000	STOPPER RUBBER, MAIN STAND	1	Y		20050509	KMYSE1B4R5C000001	
		6	50506-SE1-1000	COLLAR, STOPPER RUBBER	1	N		20050509	KMYSE1B4R5C000001	
		7	5052A-SE5-5000-EU	SPRING SET, MAIN STAND	1	Y		20050509	KMYSE1B4R5C000001	
		8	50520-SE5-5000-EU	SPRING, MAIN STAND OUTER	1	N		20050509	KMYSE1B4R5C000001	
		9	50521-SE5-5000-EU	SPRING, MAIN STAND INNER	1	N		20050509	KMYSE1B4R5C000001	
		10	5053A-SE1-RB00	SPRING SET, SIDE STAND	1	Y		20050509	KMYSE1B4R5C000001	
		11	50530-SE1-RB00	BAR COMP., SIDE STAND	1	Y		20050509	KMYSE1B4R5C000001	
			50530-SE1-0000	BAR COMP., SIDE STAND(SPAIN)	1	Y		20070321	KMYSE1B4R7C000750	
		12	50532-SE1-RB00	SPRING, SIDE STAND INNER	1	N		20050509	KMYSE1B4R5C000001	
		13	50533-SE1-RB00	SPRING, SIDE STAND OUTER	1	N		20050509	KMYSE1B4R5C000001	
		14	90108-SE5-0000	SCREW, SIDE STAND PIVOT	1	Y		20050509	KMYSE1B4R5C000001	
		15	90114-SE1-0000	BOLT, STOPPER RUBBER	1	N		20050509	KMYSE1B4R5C000001	
		16	90116-SC1-0000	BOLT, FLANGE 10x20	2	Y		20050509	KMYSE1B4R5C000001	

F-20

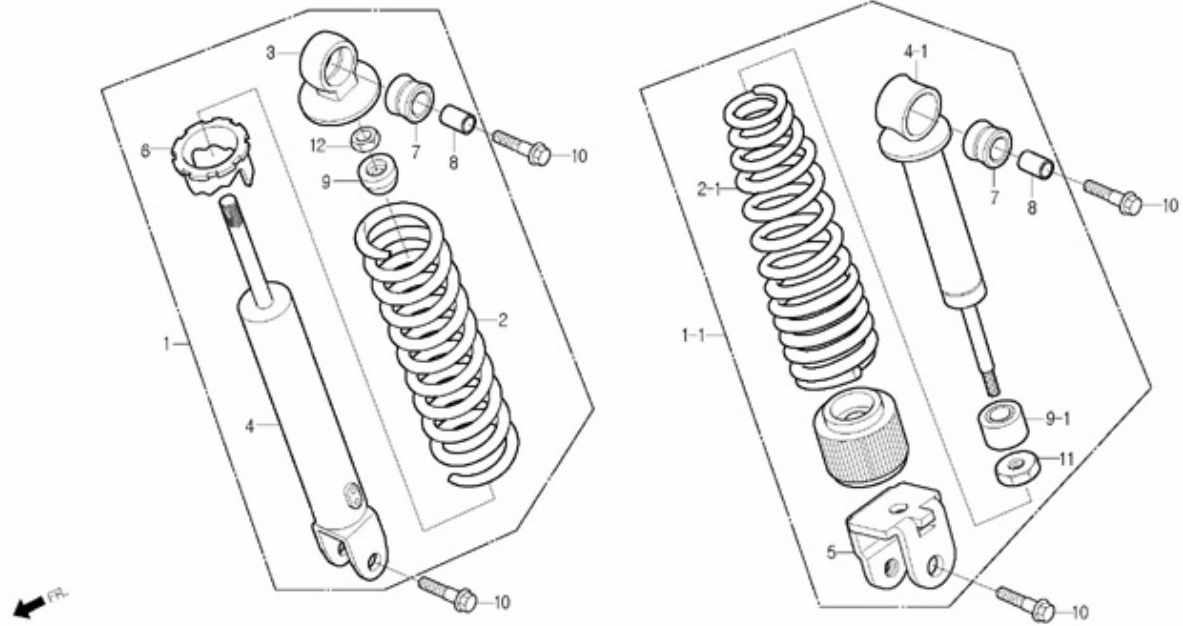
STAND



Service item	FRT	Ref. No.	Part No.	Description	QTY	A/S	Exch	Start Date	Start FRM.No	End FRM.No
		17	S4001-10080-0S	NUT, HEX 10mm	1	Y		20050509	KMYSE1B4R5C000001	
		18	S4101-10800	WASHER, PLAIN 10mm	2	Y		20050509	KMYSE1B4R5C000001	
		19	S5701-06022-07	BOLT, FLANGE 6x22(B)	1	N	Y	20050509	KMYSE1B4R5C000001	KMYSE1B4R7C000886
			S5701-06022-08	BOLT, FLANGE 6x22(Y)	1	Y		20070701	KMYSE1B4R7C000887	

F-21

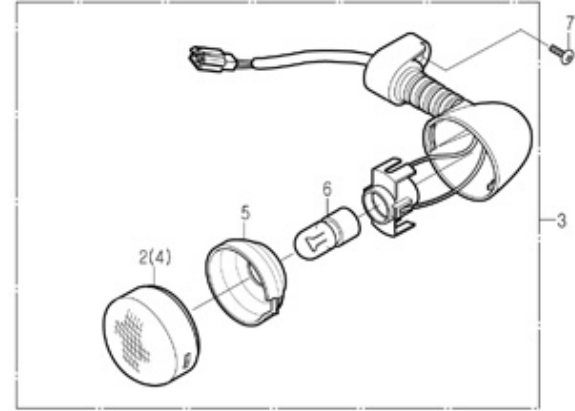
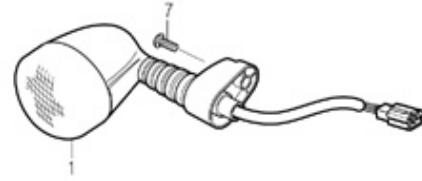
REAR CUSHION



Service item	FRT	Ref. No.	Part No.	Description	QTY	A/S	Exch	Start Date	Start FRM.No	End FRM.No
CUSHION ASS'Y, RR.	0.5	1	52400-SE1-RB00	CUSHION ASS'Y, RR.	1	Y		20050509	KMYSE1B4R5C000001	
		1-1	52400-SE1-RJ00	CUSHION ASS'Y, RR.(Spain Only)	1	Y		20070321	KMYSE1B4R7C000750	
		2	52401-SE1-RB00	SPRING, RR.CUSHION	1	N		20050509	KMYSE1B4R5C000001	
		2-1	52401-SE1-RJ00	SPRING, RR.CUSHION(Spain Only)	1	N		20070321	KMYSE1B4R7C000750	
		3	52403-BA7-RB00	METAL COMP., UPPER	1	N		20050509	KMYSE1B4R5C000001	
		4	52410-SE1-RB00	DAMPER COMP., RR.	1	N		20050509	KMYSE1B4R5C000001	
		4-1	52410-SE1-0000	DAMPER COMP., RR.(Spain Only)	1	N		20070321	KMYSE1B4R7C000750	
		5	52420-SE1-0000	METAL, BOTTOM	1	N		20070321	KMYSE1B4R7C000750	
		6	52422-BA6-0030	ADJUSTER, SPRING	1	N		20050509	KMYSE1B4R5C000001	
		7	52485-SE5-9010-M1	BUSH, RR.CUSHION RUBBER	1	N		20050509	KMYSE1B4R5C000001	
		8	52486-SE5-0030	COLLAR, RUBBER BUSH	1	N		20050509	KMYSE1B4R5C000001	
		9	52517-BA6-0030	RUBBER, STOPPER	1	N		20050509	KMYSE1B4R5C000001	
		9-1	52517-SE1-0000	RUBBER, STOPPER(Spain Only)	1	N		20070321	KMYSE1B4R7C000750	
		10	90108-CB3-0000	BOLT, RR.CUSHION UNDER	2	Y		20050509	KMYSE1B4R5C000001	
		11	90268-SE1-0000	NUT, LOCK 10mm	1	N		20070321	KMYSE1B4R7C000750	
		12	S4002-10000-0S	NUT, HEX 10mm	1	N		20050509	KMYSE1B4R5C000001	

F-22

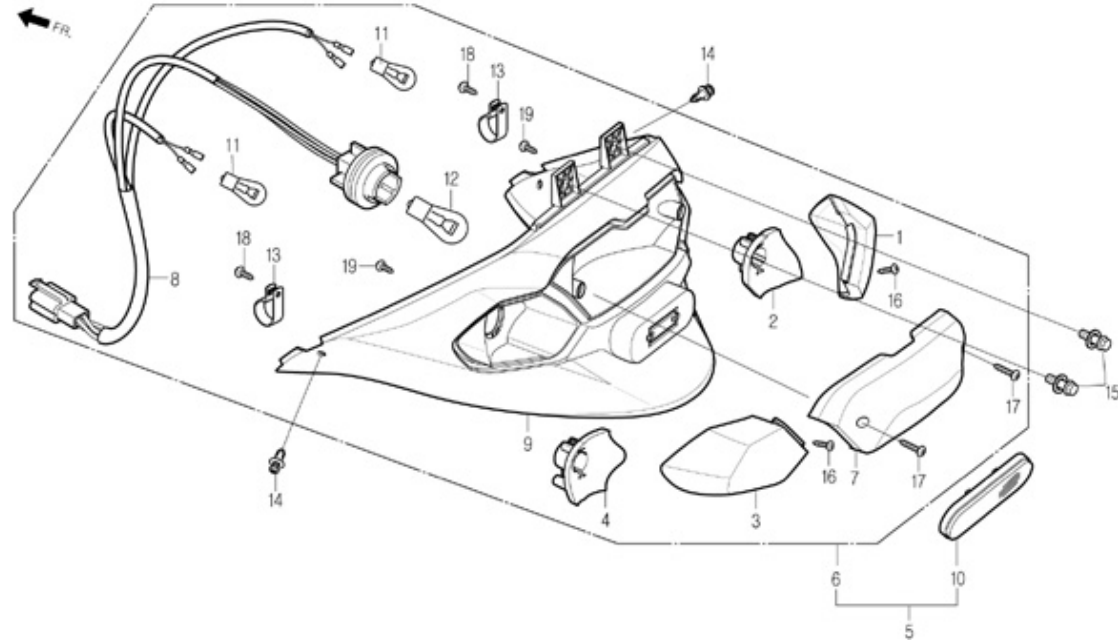
FRONT WINKER



Service item	FRT	Ref. No.	Part No.	Description	QTY	A/S	Exch	Start Date	Start FRM.No	End FRM.No
WINKER ASS'Y, FR. (ADD FOR EACH) BULB, WINKER(12V 10W) (ONE OR ALL)	0.5 0.1	1	33400-SE7-0000	WINKER ASS'Y, RH.FR.	1	Y		20050509	KMYSE1B4R5C000001	
		2	33402-CB4-RH00	LENS, RH.FR.WINKER	1	N		20050509	KMYSE1B4R5C000001	
		3	33450-SE7-0000	WINKER ASS'Y, LH.FR.	1	Y		20050509	KMYSE1B4R5C000001	
		4	33452-CB4-RH00	LENS, LH.FR.WINKER	1	N		20050509	KMYSE1B4R5C000001	
		5	33603-SE1-0000	REFLECTOR, RR.WINKER	2	N		20050509	KMYSE1B4R5C000001	
	6	34905-BA7-RB00	BULB, WINKER(12V 10W)	2	Y		20050509	KMYSE1B4R5C000001		
	7	90192-SE3-0000	SCREW, SPECIAL 5x14	2	Y		20050509	KMYSE1B4R5C000001		

F-23

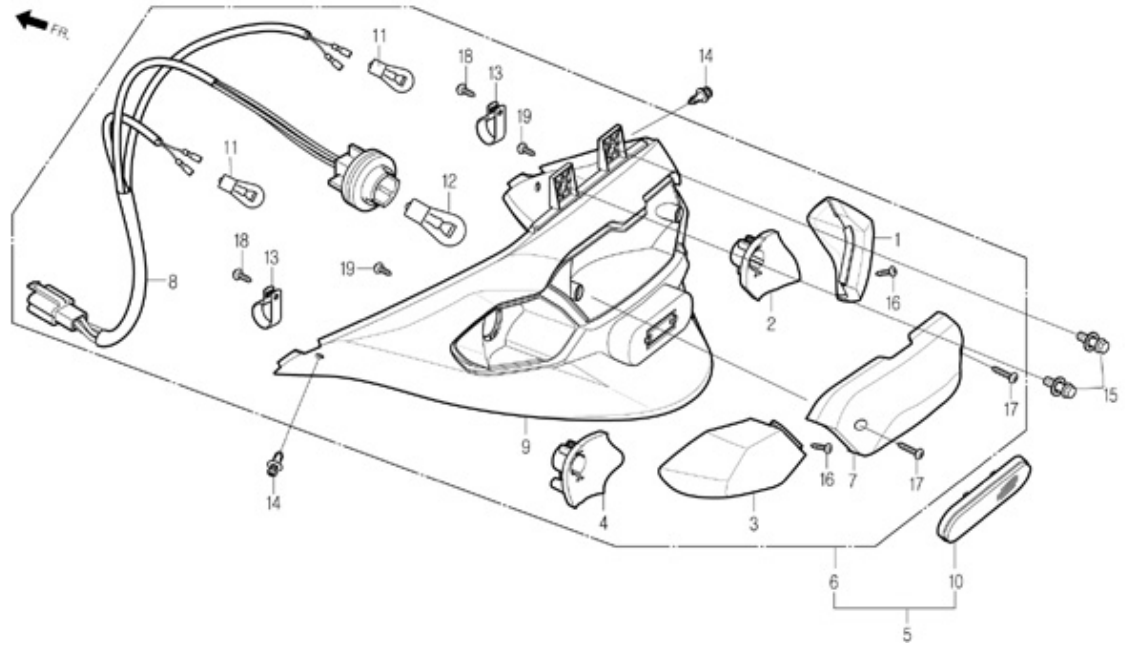
REAR COMBI. LIGHT



Service item	FRT	Ref. No.	Part No.	Description	QTY	A/S	Exch	Start Date	Start FRM.No	End FRM.No	
BULB, WINKER(12V 10W) (ONE OR ALL) LIGHT ASS'Y, RR.COMBI. BULB, TAIL & STOP(12V 21W/5.3W)	0.1 0.7 0.1	1	33602-SE1-RZ00-M1	LENS, RR.WINKER RH.	1	N		20050509	KMYSE1B4R5C000001		
		2	33603-SE1-RZ00-M1	REFLECTOR, RR.WINKER RH.	1	N		20050509	KMYSE1B4R5C000001		
		3	33652-SE1-RZ00-M1	LENS, RR.WINKER LH.	1	N		20050509	KMYSE1B4R5C000001		
		4	33653-SE1-RZ00-M1	REFLECTOR, RR.WINKER LH.	1	N		20050509	KMYSE1B4R5C000001		
		5	3370A-SE1-RZ00-M1	LIGHT SET, RR.COMBI.	1	Y		20050509	KMYSE1B4R5C000001		
			6	33700-SE1-RZ00-M1	LIGHT ASS'Y, RR.COMBI.	1	Y	N	20050509	KMYSE1B4R5C000001	KMYSE1B4R6C000373
				33700-SE1-RZ10-M1	LIGHT ASS'Y, RR.COMBI.	1	Y		20060401	KMYSE1B4R6C000374	
			7	33702-SE1-RZ00-M1	LENS, TAIL LIGHT	1	N		20050509	KMYSE1B4R5C000001	
			8	33703-SE1-RZ00-M1	SOCKET COMP., RR.COMBI.	1	N		20050509	KMYSE1B4R5C000001	
			9	33704-SE1-RZ00-M1	BASE, RR.COMBI.	1	N	N	20050509	KMYSE1B4R5C000001	KMYSE1B4R6C000373
				33704-SE1-RZ10-M1	BASE, RR.COMBI.	1	N		20060401	KMYSE1B4R6C000374	
			10	33740-SE1-0000	REFLEX REFLECTOR, RR.	1	N	Y	20050509	KMYSE1B4R5C000001	KMYSE1B4R7C000517
				33740-SE1-0030	REFLEX REFLECTOR, RR.	1	Y		20060901	KMYSE1B4R7C000518	
			11	34905-BA7-RB00	BULB, WINKER(12V 10W)	2	Y		20050509	KMYSE1B4R5C000001	
			12	34906-BA7-RB00	BULB, TAIL & STOP(12V 21W/5W)	1	Y		20050509	KMYSE1B4R5C000001	
			13	37215-SE5-7600	CLAMP	2	N		20050509	KMYSE1B4R5C000001	
			14	90683-SE5-0030	CLIP, BODY COVER	2	Y		20050509	KMYSE1B4R5C000001	
			15	S3404-06012-08	BOLT, WASHER 6x12	2	Y		20050509	KMYSE1B4R5C000001	
		16	S3901-22280	SCREW, TAPPING 3x10	2	Y		20050509	KMYSE1B4R5C000001		
		17	S3901-24580	SCREW, TAPPING 4x20	2	Y		20050509	KMYSE1B4R5C000001		
		18	S3903-24420	SCREW, TAPPING 4x16	2	N		20050509	KMYSE1B4R5C000001		

F-23

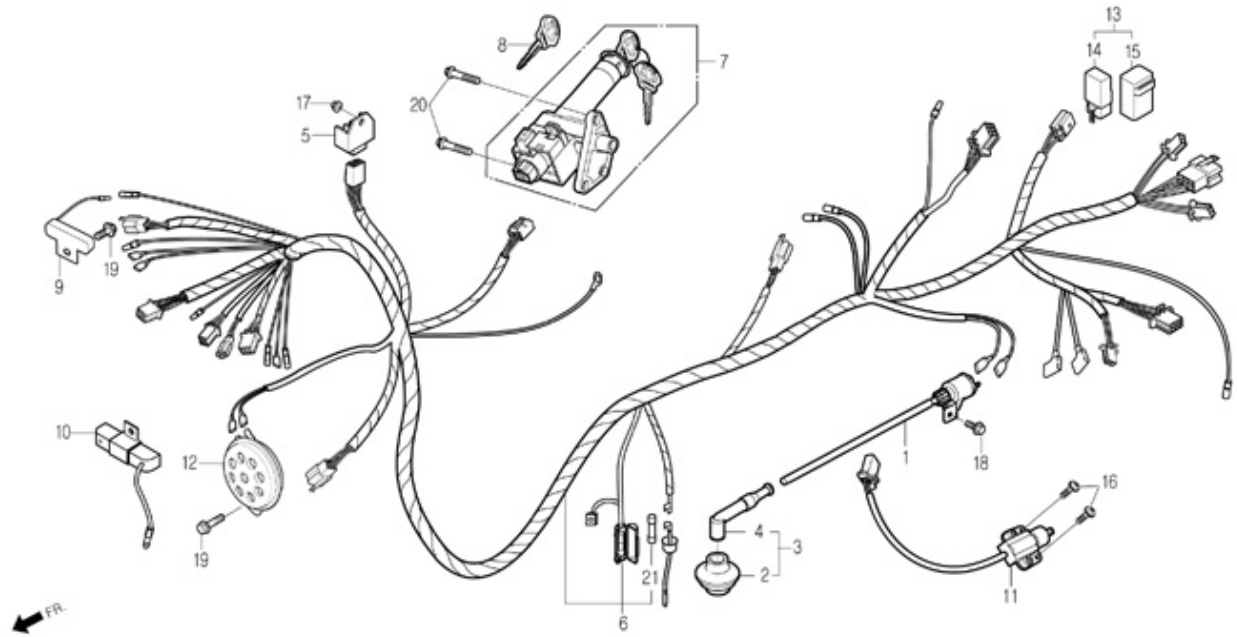
REAR COMBI. LIGHT



Service item	FRT	Ref. No.	Part No.	Description	QTY	A/S	Exch	Start Date	Start FRM.No	End FRM.No
		19	S3903-34320	SCREW, TAPPING 4x12	2	Y		20050509	KMYSE1B4R5C000001	

F-24

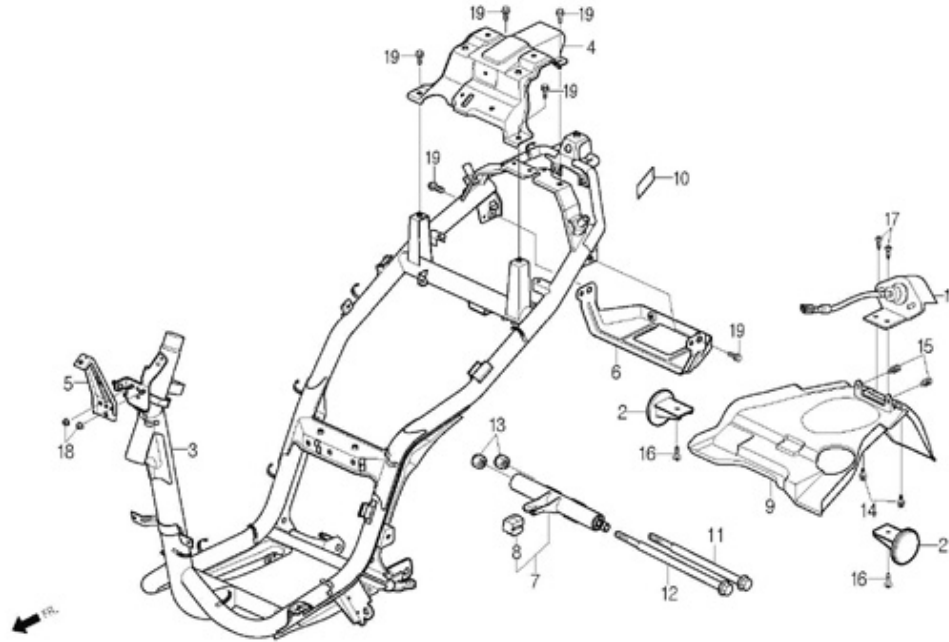
WIRE HARNESS



Service item	FRT	Ref. No.	Part No.	Description	QTY	A/S	Exch	Start Date	Start FRM.No	End FRM.No
COIL COMP., IGNITION	0.6	1	30510-SE1-0000	COIL COMP., IGNITION	1	Y		20050509	KMYSE1B4R5C000001	
RECTIFIER COMP., REGULATOR	0.4	2	30605-SE5-9000	SEAL, HIGHTENTION TERMINAL	1	N		20050509	KMYSE1B4R5C000001	
HARNESS ASS'Y, WIRE	1.5	3	3070A-SC1-9500	CAP ASS'Y, SPARK PLUG	1	Y		20050509	KMYSE1B4R5C000001	
KEY SET	1.0	4	30700-SE5-9000	CAP ASS'Y, NOISE SUPPRESSOR	1	N		20050509	KMYSE1B4R5C000001	
RESISTOR COMP.	0.3	5	31600-SE6-9800	RECTIFIER COMP., REGULATOR	1	Y		20050509	KMYSE1B4R5C000001	
HORN COMP.	0.3									
RELAY ASS'Y, START	0.5									
		6	32100-SE7-0000	HARNESS ASS'Y, WIRE	1	Y		20050509	KMYSE1B4R5C000001	
		7	35010-SE1-0000-M1	KEY SET	1	N		20050509	KMYSE1B4R5C000001	
		8	35121-SE1-0000	KEY, BLANK NO.1	1	N		20050509	KMYSE1B4R5C000001	
		9	35400-SE5-0000	RESISTOR COMP.	1	Y		20050509	KMYSE1B4R5C000001	
		10	35401-SE1-0000	RESISTOR COMP., B	1	Y		20050509	KMYSE1B4R5C000001	
		11	35700-SE1-RB20-M1	SWITCH ASS'Y, SIDE STAND	1	Y		20050509	KMYSE1B4R5C000001	
		12	38110-SA1-0000-EU	HORN COMP.	1	Y		20050509	KMYSE1B4R5C000001	
		13	38500-CB3-7000	RELAY ASS'Y, START	1	Y		20050509	KMYSE1B4R5C000001	
		14	38501-CB3-7000	RELAY COMP., START	1	N		20050509	KMYSE1B4R5C000001	
		15	38506-CB2-0040	SUSPENSION, START RELAY	1	N		20050509	KMYSE1B4R5C000001	
		16	S3892-05016-08	SCREW, WASHER 5x16	2	Y		20050509	KMYSE1B4R5C000001	
		17	S4050-06080	NUT, FLANGE 6mm	1	Y		20050509	KMYSE1B4R5C000001	
		18	S5701-06010-08	BOLT, FLANGE 6x10	1	Y		20050509	KMYSE1B4R5C000001	
		19	S5701-06012-08	BOLT, FLANGE 6x12	2	Y		20050509	KMYSE1B4R5C000001	
		20	S6001-06020-00	BOLT, FLANGE SH.6x20	2	Y		20050509	KMYSE1B4R5C000001	
		21	S8200-10700	FUSE, 7A	1	Y		20050509	KMYSE1B4R5C000001	

F-25

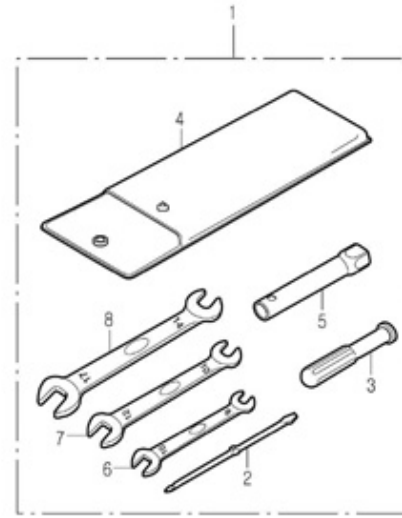
FRAME BODY



Service item	FRT	Ref. No.	Part No.	Description	QTY	A/S	Exch	Start Date	Start FRM.No	End FRM.No
BODY COMP., FRAME	*4.2	1	33710-SE1-RB10-M1	ASS'Y, LICENSE PLATE	1	Y		20050509	KMYSE1B4R5C000001	
LINK ASS'Y, ENGINE HANGER	1.0	2	33750-SE1-RZ00-M1	REFLECTOR, SIDE REFLEX	2	Y		20050509	KMYSE1B4R5C000001	
STAY, FR.COVER	0.5	3	50100-SE7-0000	BODY COMP., FRAME	1	Y		20050509	KMYSE1B4R5C000001	
FENDER, RR.	0.7	4	50114-SE7-0000	PLATE B, RR.CROSS	1	Y		20050509	KMYSE1B4R5C000001	
		5	50128-SE7-0000	STAY, FR.COVER(Black painting)	1	N	Y	20050509	KMYSE1B4R5C000001	KMYSE1B4R7C000749
			50128-SE7-0010	STAY, FR.COVER(Zinc plating)	1	Y		20070115	KMYSE1B4R7C000750	
		6	50180-SE1-0000	STAY COMP., FUEL TANK SUPPORT	1	Y		20050509	KMYSE1B4R5C000001	
		7	50350-SE1-0000	LINK ASS'Y, ENGINE HANGER	1	Y		20050509	KMYSE1B4R5C000001	
		8	50352-SE5-7300	RUBBER, LINK STOPPER	1	Y		20050509	KMYSE1B4R5C000001	
		9	80105-SE1-RZ00	FENDER, RR.	1	Y		20050509	KMYSE1B4R5C000001	
		10	87509-SE7-RZ00	PLATE, MANUFACTURER'S DATA	1	Y		20050509	KMYSE1B4R5C000001	
			87509-SE7-MA00	LABEL, VIN NO.	1	Y		20051215	KMYSE1B4R6C000254	
		11	90102-SE1-0000	BOLT, FLANGE 10x195	1	Y		20050509	KMYSE1B4R5C000001	
		12	90103-SE1-0000	BOLT, FLANGE 10x240.5	1	Y		20050509	KMYSE1B4R5C000001	
		13	90304-SE6-0000	NUT, U 10mm	2	Y		20050509	KMYSE1B4R5C000001	
		14	90683-SE5-0030	CLIP, BODY COVER	2	Y		20050509	KMYSE1B4R5C000001	
		15	S3404-06012-08	BOLT, WASHER 6x12	2	Y		20050509	KMYSE1B4R5C000001	
		16	S3903-25320	SCREW, TAPPING 5x16	2	Y		20050509	KMYSE1B4R5C000001	
		17	S3903-34310	SCREW, TAPPING 4x12	2	Y		20050509	KMYSE1B4R5C000001	
		18	S4050-06080	NUT, FLANGE 6mm	2	Y		20050509	KMYSE1B4R5C000001	
		19	S5701-06012-08	BOLT, FLANGE 6x12	6	Y		20050509	KMYSE1B4R5C000001	

F-26

TOOL



Service item	FRT	Ref. No.	Part No.	Description	QTY	A/S	Exch	Start Date	Start FRM.No	End FRM.No
		1	89010-SE1-RB10	TOOL SET	1	Y		20030102	KMYSE1B4R5C000001	
		2	89102-CB2-0000	DRIVER, NO.2 PLUS MINUS	1	N		19910101	KMYSE1B4R5C000001	
		3	89103-CB2-0000	GRIP	1	N		19910101	KMYSE1B4R5C000001	
		4	89104-SZ1-0000	BAG, TOOL 160mm	1	N		20040601	KMYSE1B4R5C000001	
		5	89214-HD2-9000	WRENCH, BOX 21mm	1	N		20010226	KMYSE1B4R5C000001	
		6	S9001-08100	SPANNER 8x10	1	N		19910101	KMYSE1B4R5C000001	
		7	S9001-BA7-0300-M1	SPANNER 10x12	1	N		19910101	KMYSE1B4R5C000001	
		8	S9001-BA7-0600-M1	SPANNER 14x17	1	N		19910101	KMYSE1B4R5C000001	

PART NO. APPLIED COUNTRY INDEX

Part No.	Block No.	Ref. No.	Applied country	Part No.	Block No.	Ref. No.	Applied country
			[11000]	1552A-SE1-0010	E-09	12	RZ RJ
11100-SE1-0010	E-09	1	RZ RJ	15772-SC1-9500	F-16	1	RZ RJ
11102-SE5-0040-M1	E-09	2	RZ RJ				[16000]
11200-SE1-0010	E-09	4	RZ RJ	16005-SC1-0000	E-11	1	RZ RJ
11202-SE5-3000	E-09	5	RZ RJ	16007-SC1-0000	E-11	2	RZ RJ
11204-SA1-0000	E-08	1	RZ RJ	16008-SC1-0000	E-11	3	RZ RJ
11205-SE5-7610-M1	E-05	1	RZ RJ	16009-SC1-0000	E-11	4	RZ RJ
11205-SE5-7610-M1	E-09	6	RZ RJ	16010-SE5-0000	E-11	5	RZ RJ
1120A-CB2-0000	E-09	3	RZ RJ	16012-SE1-RZ00	E-11	6	RZ RJ
11211-SE1-0000	E-09	7	RZ RJ	16013-CB2-2040	E-11	7	RZ RJ
11340-SE1-0000	E-05	2	RZ RJ	16014-SE5-0030	E-11	8	RZ RJ
11340-SE3-0000	E-05	2	RZ RJ	16015-SE5-1000	E-11	9	RZ RJ
11395-SE1-RB00	E-05	3	RZ RJ	16016-SE5-1000	E-11	10	RZ RJ
			[12000]	16022-SE5-8300	E-11	11	RZ RJ
12101-SE1-RZ00	E-02	1	RZ RJ	16028-SC1-0030	E-11	12	RZ RJ
12191-SE1-RB00	E-02	2	RZ RJ	16100-SE1-RZ00	E-11	13	RZ RJ
12201-SE1-0000	E-02	3	RZ RJ	16102-SE5-1000	E-11	14	RZ RJ
12251-SE5-0000	E-02	4	RZ RJ	16143-SE5-0000	E-11	15	RZ RJ
			[13000]	16150-SE5-0000	E-11	16	RZ RJ
13000-SE1-0000	E-10	1	RZ RJ	16161-SE5-0000	E-11	17	RZ RJ
13101-SE1-0000	E-10	3	RZ RJ	16170-CB3-0000	E-11	18	RZ RJ
1310A-SE1-0000	E-10	2	RZ RJ	1621A-SE5-0000	E-09	13	RZ RJ
13111-SE5-0000	E-10	4	RZ RJ	16910-CB2-9110-M1	F-14	2	RZ RJ
13115-SE5-0000	E-10	5	RZ RJ	1691A-SE1-0000	F-14	1	RZ RJ
13121-SE5-0000	E-10	6	RZ RJ	16950-SE1-0100-M3	F-14	4	RZ RJ
13131-SE5-0000	E-10	7	RZ RJ	1695A-SE1-RZ00	F-14	3	RZ RJ
13136-SE5-0000	E-10	8	RZ RJ				[17000]
13201-SE1-0000	E-10	9	RZ RJ	17100-SE1-RZ00	E-09	14	RZ RJ
13202-SE5-0030-H1	E-10	10	RZ RJ	17111-SE1-RB00	E-09	15	RZ RJ
13311-SE1-0000-H1	E-10	11	RZ RJ	17112-SE1-RB00	E-09	16	RZ RJ
13321-SE1-0000-H1	E-10	12	RZ RJ	17200-SE1-RZ00	F-18	1	RZ RJ
13381-SE6-7210-Y1	E-10	13	RZ RJ	17205-SE1-0000	F-18	2	RZ RJ
			[14000]	17207-SE1-0000	F-18	3	RZ RJ
14100-SE1-0030	E-09	8	RZ RJ	17208-SE5-0100	F-18	4	RZ RJ
			[15000]	17212-SE1-0000	F-18	5	RZ RJ
15100-SE1-0000	E-09	9	RZ RJ	17215-SE6-9800-H1	F-18	6	RZ RJ
15111-SE1-0000	E-09	10	RZ RJ	17300-SE1-RZ00	F-19	1	RZ RJ
15113-SE1-0000	E-09	11	RZ RJ	17330-SE1-RZ00	F-19	2	RZ RJ
				17395-SE1-RZ00	F-19	3	RZ RJ
				17502-SE5-0000	F-16	2	RZ RJ
				17510-SE7-0000	F-14	5	RZ RJ
				17620-SA1-0000	F-14	6	RZ RJ
				17621-SA1-0000	F-14	7	RZ RJ
				17622-SA1-0000	F-14	8	RZ RJ

PART NO. APPLIED COUNTRY INDEX

Part No.	Block No.	Ref. No.	Applied country	Part No.	Block No.	Ref. No.	Applied country
[17000]				2211A-SE1-RZ00	E-06	3	RZ RJ
17623-SA1-0000	F-14	9	RZ RJ	22121-SC1-0000	E-06	5	RZ RJ
17630-SE7-0000	F-14	10	RZ RJ	22131-SE1-RZ00	E-06	6	RZ RJ
17681-SA1-0100	F-14	11	RZ RJ	22132-SE5-0000	E-06	7	RZ RJ
17682-SE1-0000	F-14	12	RZ RJ	22300-SE1-0100	E-07	2	RZ RJ
17683-SE1-RZ00	F-14	13	RZ RJ	22350-SE6-9800	E-07	3	RZ RJ
17684-SE1-0000	F-14	14	RZ RJ	22401-SE6-9800	E-07	4	RZ RJ
17685-SE1-0000	F-14	15	RZ RJ	22530-SE1-0100	E-07	5	RZ RJ
17910-SE1-0000-M3	F-03	1	RZ RJ	22804-SC1-0000	E-07	6	RZ RJ
[18000]				[23000]			
18210-SE1-RZ00	F-19	4	RZ RJ	23010-SE1-0000	E-07	8	RZ RJ
18240-SB1-1000	F-19	5	RZ RJ	2301B-SE1-0000	E-07	7	RZ RJ
18291-CB2-RB00	F-19	6	RZ RJ	23100-SE1-0000	E-07	9	RZ RJ
18291-SE5-5000-EU	F-19	6	RZ RJ	23200-SE1-0000	E-07	10	RZ RJ
18292-SE1-0100	F-19	7	RZ RJ	23210-SE1-0000	E-07	11	RZ RJ
18310-SE1-RZ00	F-19	8	RZ RJ	23220-SE1-0000	E-07	12	RZ RJ
18320-SE1-RB40	F-19	9	RZ	23225-SE5-0100	E-07	13	RZ RJ
18320-SE1-RZ00	F-19	9-1	RZ RJ	23233-CB2-0000	E-07	14	RZ RJ
[19000]				23237-SE5-0000	E-07	15	RZ RJ
19510-SE1-0000	E-03	1	RZ RJ	23238-SE5-0100	E-07	16	RZ RJ
19600-SE1-0000	E-01	1	RZ RJ	23411-SE1-0000	E-08	5	RZ RJ
19600-SE1-0010	E-01	1-1	RZ RJ	23421-SE1-0000	E-08	6	RZ RJ
19610-SE1-0000	E-01	2	RZ RJ	23422-SE1-0000	E-08	7	RZ RJ
19614-SE1-0000	E-01	3	RZ RJ	23430-SE1-0000	E-08	8	RZ RJ
19615-SE1-0000	E-01	4	RZ RJ	[28000]			
19615-SE1-0010	E-01	4-1	RZ RJ	28223-SE1-0000	E-06	8	RZ RJ
19620-SE1-0000	E-01	5	RZ RJ	28230-SE1-0000	E-06	10	RZ RJ
19622-SE1-0000	E-01	6	RZ RJ	2823A-SE1-0000	E-06	9	RZ RJ
19625-SE1-0000-H1	E-01	7	RZ RJ	28250-SE5-6010	E-06	11	RZ RJ
[21000]				28253-SE5-6010-M1	E-06	12	RZ RJ
2130A-SE1-0000	E-08	2	RZ RJ	28281-SE5-6020-M1	E-06	13	RZ RJ
21395-SE1-0000	E-08	3	RZ RJ	28300-SE1-0000-M3	F-20	1	RZ RJ
21396-SE1-0000	E-08	4	RZ RJ	28300-SE5-5000-M3	F-20	1	RZ RJ
[22000]				[30000]			
22100-SE5-7500	E-07	1	RZ RJ	30158-SE5-0000	F-03	2	RZ RJ
22102-SE6-7210-M1	E-06	1	RZ RJ	30400-SE1-RZ10	F-15	1	RZ RJ
22105-SE1-RB00	E-06	2	RZ RJ	30401-BA6-0000	F-15	2	RZ
22110-SE5-0000	E-06	4	RZ RJ	30401-BA6-0010	F-15	2-1	RZ RJ
				30410-SE1-RZ10	F-15	3	RZ RJ
				30510-SE1-0000	F-24	1	RZ RJ
				30605-SE5-9000	F-24	2	RZ RJ
				30700-SE5-9000	F-24	4	RZ RJ

PART NO. APPLIED COUNTRY INDEX

Part No.	Block No.	Ref. No.	Applied country	Part No.	Block No.	Ref. No.	Applied country
3070A-SC1-9500	F-24	3	RZ RJ	33710-SE1-RB10-M1	F-25	1	RZ RJ
			[30000]	33740-SE1-0000	F-23	10	RZ
			[31000]	33740-SE1-0030	F-23	10	RZ RJ
31100-SE1-0000	E-03	2	RZ	33750-SE1-RZ00-M1	F-25	2	RZ RJ
31100-SE1-0010	E-03	2	RZ RJ				[34000]
31110-SE1-0000	E-03	3	RZ RJ	34901-SA1-RB00	F-01	5	RZ RJ
31120-SE1-0000	E-03	4	RZ	34905-BA7-RB00	F-22	6	RZ RJ
31120-SE1-0010	E-03	4	RZ RJ	34905-BA7-RB00	F-23	11	RZ RJ
31200-SE5-9000	E-04	1	RZ RJ	34906-BA7-RB00	F-23	12	RZ RJ
31209-SE5-0150	E-04	2	RZ RJ	34908-SA2-8710-M1	F-02	1	RZ RJ
31213-SE5-9000	E-04	3	RZ RJ	34918-BA5-9200	F-02	2	RZ RJ
31214-SE5-9000	E-04	4	RZ RJ				[35000]
31215-SE5-9000	E-04	5	RZ RJ	35010-SE1-0000-M1	F-24	7	RZ RJ
31217-SE5-9000	E-04	6	RZ RJ	35121-SE1-0000	F-24	8	RZ RJ
31500-SC1-9500-M2	F-15	4	RZ RJ	35150-SE7-RZ00	F-03	3	RZ RJ
31600-SE6-9800	F-24	5	RZ RJ	35210-SE3-0000	F-03	4	RZ RJ
			[32000]	35340-BA6-9600	F-04	1	RZ
32100-SE7-0000	F-24	6	RZ RJ	35340-SC1-6700-M4	F-04	1	RZ RJ
32964-SC1-0200	E-04	7	RZ RJ	35350-SE3-0000	F-03	5	RZ RJ
			[33000]	35350-SE3-0000-M4	F-03	5	RZ RJ
33100-SE7-RZ00-M1	F-01	1	RZ RJ	35400-SE5-0000	F-24	9	RZ RJ
33101-SE7-RZ00-M1	F-01	2	RZ RJ	35401-SE1-0000	F-24	10	RZ RJ
33120-SE4-0000	F-01	3	RZ RJ	35410-SE5-9000	F-16	3	RZ RJ
33130-SE7-0000-M1	F-01	4	RZ RJ	35700-SE1-RB20-M1	F-24	11	RZ RJ
33400-SE7-0000	F-22	1	RZ RJ				[37000]
33402-CB4-RH00	F-22	2	RZ RJ	37200-SE3-RB00-M2	F-02	3	RZ RJ
33450-SE7-0000	F-22	3	RZ RJ	37203-SE3-0000	F-02	4	RZ RJ
33452-CB4-RH00	F-22	4	RZ RJ	37208-SE3-0000	F-02	5	RZ RJ
33602-SE1-RZ00-M1	F-23	1	RZ RJ	37209-SE3-0000	F-02	6	RZ RJ
33603-SE1-0000	F-22	5	RZ RJ	37210-SE3-0000	F-02	7	RZ RJ
33603-SE1-RZ00-M1	F-23	2	RZ RJ	37211-SE3-0000	F-02	8	RZ RJ
33652-SE1-RZ00-M1	F-23	3	RZ RJ	37212-SE3-0000	F-02	9	RZ RJ
33653-SE1-RZ00-M1	F-23	4	RZ RJ	37215-SE5-7600	F-23	13	RZ RJ
33700-SE1-RZ00-M1	F-23	6	RZ	37600-SB3-0000-M3	F-02	10-1	RZ RJ
33700-SE1-RZ10-M1	F-23	6	RZ RJ	37605-SE3-0000	F-02	11	RZ RJ
33702-SE1-RZ00-M1	F-23	7	RZ RJ	37606-SE3-0000	F-02	12	RZ RJ
33703-SE1-RZ00-M1	F-23	8	RZ RJ	3760A-SE7-MA00	F-02	10	RZ
33704-SE1-RZ00-M1	F-23	9	RZ	3760A-SE7-RB00	F-02	10	RZ
33704-SE1-RZ10-M1	F-23	9	RZ RJ	3760A-SE7-RC00	F-02	10	RZ
3370A-SE1-RZ00-M1	F-23	5	RZ RJ	3760A-SE7-RE00	F-02	10	RZ
				3760A-SE7-RJ00	F-02	10	RZ RJ
				37610-SB3-0000	F-02	13	RZ RJ

PART NO. APPLIED COUNTRY INDEX

Part No.	Block No.	Ref. No.	Applied country	Part No.	Block No.	Ref. No.	Applied country
			[37000]	43453-SE1-0000	E-01	8	RZ RJ
37800-SE3-0000-M3	F-14	16		43472-SE5-0200	F-11	10	RZ RJ
37801-SE5-7000	F-14	17					[44000]
			[38000]	44301-SA1-0000	F-10	2	RZ RJ
38110-SA1-0000-EU	F-24	12		44312-SC1-0000	F-10	3	RZ RJ
38301-BA6-0300-P	F-01	6		44600-SE1-0000	F-10	4	RZ
38500-CB3-7000	F-24	13		44600-SE1-0010	F-10	4-1	RZ
38501-CB3-7000	F-24	14		44600-SE3-0010	F-10	4-2	RZ RJ
38506-CB2-0040	F-24	15		44600-SE7-0000	F-10	4-2	RZ RJ
			[42000]	44600-SE7-RZ00	F-10	4	RZ
42600-SE1-0000	F-11	1	RZ	44601-SE1-0000	F-10	5	RZ
42600-SE1-0000	F-11	1-1	RZ	44601-SE1-0010	F-10	5	RZ
42600-SE3-0000	F-11	1-2	RZ RJ	44601-SE3-0010	F-10	5-1	RZ RJ
42600-SE7-0000	F-11	1-2	RZ RJ	44601-SE7-0000	F-10	5-1	RZ RJ
42600-SE7-RZ00	F-11	1	RZ	44620-SE1-0000	F-10	6	RZ RJ
42601-SE1-0000	F-11	2	RZ	44710-SE1-0000-M1	F-10	7	RZ
42601-SE3-0000	F-11	2-1	RZ RJ	44710-SE1-0010-M1	F-10	7-1	RZ
42601-SE7-0000	F-11	2-1	RZ RJ	44711-SE1-0000	F-10	7	RZ
42710-SE1-0000-M1	F-11	3	RZ	44800-SE1-0000-M3	F-10	8	RZ RJ
42710-SE1-0010-M1	F-11	3-1	RZ	44806-SE1-0000-M3	F-10	9	RZ RJ
42711-SE1-0000	F-11	3	RZ	44807-CB2-0030-M3	F-10	10	RZ RJ
42711-SE3-0000-M1	F-10	7-2	RZ RJ	44830-SE3-0000-M3	F-02	14	RZ RJ
42711-SE3-0000-M1	F-11	3-2	RZ RJ				[45000]
42753-BA7-0000	F-10	1	RZ RJ	45100-SE7-0000	F-09	7	RZ RJ
42753-BA7-0000	F-11	4	RZ	45105-SB3-0000-M1	F-09	8	RZ RJ
42753-SC1-9500	F-11	4-1	RZ RJ	45106-SB3-0000-M1	F-09	9	RZ RJ
			[43000]	45107-CB4-0000-M1	F-09	10	RZ RJ
43120-SA1-0000-EU	F-11	6	RZ RJ	45108-SB3-0000-M1	F-09	11	RZ RJ
4312A-SA1-0000-EU	F-11	5	RZ RJ	45109-CB4-0000-M1	F-09	12	RZ RJ
43131-BA4-0000-M1	F-09	1	RZ RJ	45121-SC1-9520-M1	F-10	11	RZ RJ
43132-BA4-0000-M1	F-09	2	RZ RJ	45126-SE7-0000	F-04	2	RZ
43134-BA4-0000-M1	F-09	3	RZ RJ	45126-SE8-0000	F-04	2	RZ RJ
43137-BA4-0000-M1	F-09	4	RZ RJ	45133-CB2-0000	F-11	11	RZ RJ
43141-SE1-0000	F-11	7	RZ RJ	45133-CB4-0000-M1	F-09	13	RZ RJ
43145-SB1-0000	F-11	8	RZ RJ	45134-CB2-0000	F-11	12	RZ RJ
43352-CB4-0000-M1	F-09	5	RZ RJ	45135-CB4-0000-M1	F-09	14	RZ RJ
43353-CB4-0000-M1	F-09	6	RZ RJ	45157-BA5-8501	F-04	3	RZ
43410-SE1-0000	F-11	9	RZ RJ	45209-CB4-0000-M1	F-09	15	RZ RJ
43450-SE1-0000-M3	F-03	6	RZ RJ	45215-SB3-0000-M1	F-09	16	RZ RJ
43452-SE1-0000	E-05	4	RZ RJ	45451-SE1-0000	F-08	1	RZ RJ
				45500-SB3-0000-M1	F-04	4	RZ RJ
				45512-BA6-1060	F-04	5	RZ RJ
				45513-CB4-0000-M1	F-04	6	RZ RJ
				45517-CB4-0000-M1	F-04	7	RZ RJ

PART NO. APPLIED COUNTRY INDEX

Part No.	Block No.	Ref. No.	Applied country	Part No.	Block No.	Ref. No.	Applied country
			[45000]	50802-SE1-0000	F-17	3	RZ RJ
45520-SC1-0060	F-04	8	RZ RJ				[51000]
45521-SC1-0060	F-04	9	RZ RJ	51107-SE1-0000	F-04	3	RZ RJ
45530-CB4-0000	F-04	10	RZ RJ	51108-SE7-0000	F-08	2	RZ
			[46000]	51400-SE1-RB00	F-08	3	RZ
46210-SE7-0000	F-09	17	RZ RJ	51400-SE3-RB00	F-08	3-1	RZ RJ
			[50000]	51400-SE7-RZ00	F-08	3-1	RZ RJ
50100-SE7-0000	F-25	3	RZ RJ	51401-SE1-RB00	F-08	4	RZ RJ
50114-SE7-0000	F-25	4	RZ RJ	51410-SE1-0000	F-08	5	RZ RJ
50128-SE7-0000	F-25	5	RZ	51412-CB2-9400-W1	F-08	6	RZ RJ
50128-SE7-0010	F-25	5	RZ RJ	51420-SE1-0000	F-08	7	RZ
50180-SE1-0000	F-25	6	RZ RJ	51420-SE3-0000	F-08	7-1	RZ RJ
50187-SE7-0000	F-17	1	RZ RJ	51420-SE7-RZ00	F-08	7-1	RZ RJ
50301-CB2-1000	F-07	1	RZ RJ	51425-BA6-8410-M1	F-08	8	RZ RJ
50305-SC1-0030	F-07	2	RZ RJ	51437-CB2-9400-W1	F-08	9	RZ RJ
50306-SE5-9000	F-07	3	RZ RJ	51440-SE6-9900	F-08	10	RZ RJ
50326-SE1-RB00	F-15	5	RZ RJ	51500-SE1-RB00	F-08	11	RZ
50350-SE1-0000	F-25	7	RZ RJ	51500-SE3-RB00	F-08	11-1	RZ RJ
50352-SE5-7300	F-25	8	RZ RJ	51500-SE7-RZ00	F-08	11-1	RZ RJ
50500-SE1-0020	F-20	3-1	RJ	51520-SE1-0000	F-08	12	RZ
50500-SE1-0030	F-20	3-1	RJ	51520-SE3-0000	F-08	12-1	RZ RJ
50500-SE1-RB20	F-20	3	RZ	51520-SE7-RZ00	F-08	12-1	RZ RJ
50500-SE1-RB30	F-20	3	RZ				[52000]
50504-SE5-6700	F-20	4	RZ RJ	52400-SE1-RB00	F-21	1	RZ
50505-SE1-1000	F-20	5	RZ RJ	52400-SE1-RJ00	F-21	1-1	RJ
50506-SE1-1000	F-20	6	RZ RJ	52401-SE1-RB00	F-21	2	RZ
5050A-SE1-0020	F-20	2	RJ	52401-SE1-RJ00	F-21	2-1	RJ
5050A-SE1-RB20	F-20	2	RZ	52403-BA7-RB00	F-21	3	RZ
50520-SE5-5000-EU	F-20	8	RZ RJ	52410-SE1-0000	F-21	4-1	RJ
50521-SE5-5000-EU	F-20	9	RZ RJ	52410-SE1-RB00	F-21	4	RZ
5052A-SE5-5000-EU	F-20	7	RZ RJ	52420-SE1-0000	F-21	5	RJ
50530-SE1-0000	F-20	11	RJ	52422-BA6-0030	F-21	6	RZ
50530-SE1-RB00	F-20	11	RZ	52485-SE5-9010-M1	F-21	7	RZ RJ
50532-SE1-RB00	F-20	12	RZ RJ	52486-SE5-0030	F-21	8	RZ RJ
50533-SE1-RB00	F-20	13	RZ RJ	52517-BA6-0030	F-21	9	RZ
5053A-SE1-RB00	F-20	10	RZ RJ	52517-SE1-0000	F-21	9-1	RJ
50613-SE1-0000-MK	F-13	1	RZ RJ				[53000]
50614-SE1-0000-MK	F-13	2	RZ RJ	53100-SE7-0000	F-05	1	RZ RJ
50621-SE1-0000	F-13	3	RZ RJ	53125-CB2-9000	F-05	2	RZ RJ
50700-SE1-0000	F-13	4	RZ RJ	53140-SE3-0000	F-03	7	RZ RJ
50800-SE1-0000	F-13	5	RZ RJ	53166-SB1-0000	F-03	8	RZ RJ
50801-SE1-0000	F-17	2	RZ RJ	53172-SE3-0000	F-03	10	RZ RJ

PART NO. APPLIED COUNTRY INDEX

Part No.	Block No.	Ref. No.	Applied country		Part No.	Block No.	Ref. No.	Applied country
				[53000]				
53175-CB4-0000-M1	F-04	11	RZ RJ		64301-SE7-0000-BL	F-06	3	RZ
53178-SA1-0110	F-03	11	RZ RJ		64301-SE7-0000-SL	F-06	3	RZ
53178-SE5-5100-EU	F-03	11	RZ		64301-SE7-0000-WH	F-06	3	RZ RJ
5317A-SE3-0000	F-03	9	RZ RJ		6430A-SE7-0000-BK	F-06	2	RZ
53181-SE5-9000	F-03	12	RZ RJ		6430A-SE7-0000-BL	F-06	2	RZ
53182-SE3-0000	F-03	13	RZ RJ		6430A-SE7-0000-SL	F-06	2	RZ
53183-SE5-0000	F-03	14	RZ RJ		6430A-SE7-RZ00-DL	F-06	2-1	RZ RJ
53200-SE3-0000-M1	F-07	4-1	RZ RJ		6430A-SE7-RZ00-SO	F-06	2-1	RZ RJ
53200-SE7-0000	F-07	4	RZ		64310-SE1-RB00	F-13	7	RZ RJ
53203-SE7-0000	F-07	5	RZ		64311-SE1-RB00	F-13	8	RZ RJ
53210-SC1-9500	F-07	7	RZ RJ		64312-SE1-RB00	F-13	9	RZ RJ
53210-SE5-7510-M1	F-07	6	RZ RJ		6431A-SE1-RB00	F-13	6	RZ RJ
53211-SC1-0033	F-07	8	RZ		64400-SE7-0000-BK	F-06	4	RZ
53211-SC1-0040	F-07	8	RZ RJ		64400-SE7-0000-BL	F-06	4	RZ
53212-SC1-0030	F-07	9	RZ RJ		64400-SE7-0000-DL	F-06	4	RZ RJ
53213-SE7-0000	F-05	4	RZ RJ		64400-SE7-0000-SL	F-06	4	RZ
5321A-SE7-0000	F-05	3	RZ		64400-SE7-0000-SO	F-06	4	RZ RJ
5321A-SE7-RZ00	F-05	3-1	RZ RJ		64500-SE7-0000-MK	F-06	5	RZ RJ
				[55000]				
55100-SE7-0000	F-16	4	RZ RJ		64527-BA6-7000	F-17	5	RZ RJ
55102-BA6-0000	F-16	5	RZ RJ					[77000]
55105-SE1-0000	F-16	6	RZ RJ		77200-SE7-RZ00	F-12	1	RZ RJ
55107-SE5-0000	F-16	7	RZ RJ		77235-SA1-0110	F-17	6	RZ RJ
55121-SE5-6000	F-16	8	RZ RJ		77240-SE7-0000	F-17	7	RZ RJ
55123-SE1-0000	F-16	9	RZ RJ		77300-SE7-0000	F-12	2	RZ RJ
55200-SE1-0000	F-16	10	RZ RJ					[80000]
55201-SE5-0000	F-16	11	RZ RJ		80105-SE1-RZ00	F-25	9	RZ RJ
				[61000]				
61100-SE7-0000-BK	F-07	10	RZ		80151-SE1-RB00	F-17	9	RZ RJ
61100-SE7-0000-BL	F-07	10	RZ		8015A-SE1-RB00	F-17	8	RZ RJ
61100-SE7-0000-SL	F-07	10	RZ					[81000]
61100-SE8-0000-DL	F-06	1	RZ RJ		81100-SE1-RB00	F-06	6	RZ RJ
61100-SE8-0000-GB	F-06	1	RZ RJ		81131-SE7-0000	F-06	8	RZ RJ
61100-SE8-0000-SO	F-06	1	RZ RJ		81132-SE1-RB00	F-06	9	RZ RJ
61101-SE8-0000	F-07	11	RZ RJ		81133-SE7-0000	F-06	10	RZ RJ
61120-SE1-RZ00	F-17	4	RZ RJ		8113A-SE7-0000	F-06	7	RZ RJ
				[64000]				
64120-SE7-0000	F-07	12	RZ		81200-SE1-0000	F-17	10	RZ RJ
64301-SE7-0000-BK	F-06	3	RZ		81218-SA1-RB00	F-17	11	RZ
					81218-SE5-3000-B1	F-17	11	RZ
					81218-SE5-RC00	F-17	11	RZ
					81218-SE5-RE00	F-17	11	RZ
					81218-SE5-RJ00	F-17	11	RZ RJ
					81250-SE7-0000	F-17	13	RZ RJ
					81251-SE1-RB00	F-17	14	RZ RJ

PART NO. APPLIED COUNTRY INDEX

Part No.	Block No.	Ref. No.	Applied country	Part No.	Block No.	Ref. No.	Applied country
			[88000]	90124-BA6-9020	F-06	17	RZ RJ
88110-SE3-0000	F-03	15		90134-SE5-0000	F-03	19	RZ RJ
88110-SE3-0010	F-03	15		90145-BA7-9000	F-04	13	RZ RJ
88113-SE3-0000	F-03	16		90190-SB1-0000	F-06	18	RZ RJ
88120-SE3-0000	F-03	17		90190-SC1-0000	F-17	32	RZ RJ
88120-SE3-0010	F-03	17		90192-SB1-0000	F-13	10	RZ RJ
			[89000]	90192-SB1-0000	F-17	33	RZ RJ
89010-SE1-RB10	F-26	1		90192-SE3-0000	F-05	9	RZ RJ
89102-CB2-0000	F-26	2		90192-SE3-0000	F-22	7	RZ RJ
89103-CB2-0000	F-26	3		90192-SE3-0000	F-06	19	RZ RJ
89104-SZ1-0000	F-26	4		90202-SE5-0000	E-07	17	RZ RJ
89214-HD2-9000	F-26	5		90268-SE1-0000	F-21	11	RJ
			[90000]	90304-BA7-0000	F-19	11	RZ RJ
90001-SE1-0000	F-15	6		90304-SE6-0000	F-05	10	RZ RJ
90001-SE5-0000	E-02	5		90304-SE6-0000	F-25	13	RZ RJ
90011-SE1-0000	F-19	10		90305-SE5-0000	F-11	13	RZ RJ
90035-SE5-0000	E-08	9		90305-SE5-1000	F-06	20	RZ RJ
90084-CB2-8300	E-09	17		90305-SE5-1000	F-13	11	RZ RJ
90086-SB1-0000-EU	E-09	18		90305-SE5-1000	F-17	34	RZ RJ
90102-SE1-0000	F-25	11		90306-CB3-0000	F-10	13	RZ RJ
90103-SE1-0000	F-25	12		90308-SE5-0000	E-07	18	RZ RJ
90105-SE1-0000	F-17	28		90412-BA6-0000	E-06	14	RZ RJ
90106-BA5-0000	F-10	12		90426-SC1-9000	E-06	15	RZ RJ
90106-CB2-9000	F-05	8		90429-SE5-0030	E-08	10	RZ RJ
90106-SC1-0000	F-10	12		90442-SC1-0000	E-07	19	RZ RJ
90106-SE1-0000	F-17	29		90451-SE5-6000	E-06	16	RZ RJ
90108-CB3-0000	F-21	10		90454-SE5-0000	E-08	11	RZ RJ
90108-SE5-0000	F-20	14		90481-CB2-0000	E-08	12	RZ RJ
90110-SE5-0000	F-06	15		90501-SE6-0000	F-11	14	RZ RJ
90110-SE5-0000	F-07	14		90544-HD2-0000	F-08	15	RZ RJ
90111-SA1-0000	F-17	30		90545-BA6-0000	F-04	14	RZ RJ
90111-SE5-1000	F-06	16		90601-BA6-7210-M1	F-08	16	RZ RJ
90111-SE5-1000	F-07	15		90603-SC1-0000	E-07	20	RZ RJ
90111-SE5-1000	F-17	31		90652-BA6-6400	F-18	7	RZ RJ
90111-SE5-1000	F-16	12		90677-SE5-0030	F-06	21	RZ RJ
90114-BA6-2060	F-04	12		90683-SE5-0030	F-06	22	RZ RJ
90114-SE1-0000	F-20	15		90683-SE5-0030	F-17	35	RZ RJ
90115-SE3-0000	F-03	18		90683-SE5-0030	F-25	14	RZ RJ
90116-BA6-7210-M1	F-08	13		90683-SE5-0030	F-23	14	RZ RJ
90116-SC1-0000	F-20	16		90701-SE5-0000	E-09	25	RZ RJ
90123-SE5-0000	F-08	14		90741-CB2-0000	E-10	14	RZ RJ
90124-BA6-9000	F-06	17		90754-SC1-0030	F-10	14	RZ RJ
				90756-BA6-8410-M1	F-08	17	RZ RJ
				90912-SC1-0030	F-10	15	RZ RJ
							[91000]
				91001-SB1-0000	E-10	16	RZ RJ

PART NO. APPLIED COUNTRY INDEX

Part No.	Block No.	Ref. No.	Applied country		Part No.	Block No.	Ref. No.	Applied country
			[91000]		S3893-04012-18	F-04	16	RZ RJ
91001-SE5-7010-M1	E-07	21	RZ RJ		S3901-22280	F-23	16	RZ RJ
91002-SE6-9800-H1	E-10	15	RZ RJ		S3901-24580	F-23	17	RZ RJ
91004-SC1-7010-M1	E-08	13	RZ RJ		S3903-24420	F-23	18	RZ RJ
91009-SC1-0030	E-09	19	RZ RJ		S3903-25220	F-02	17	RZ RJ
91102-SE1-0000-M2	E-10	17	RZ RJ		S3903-25320	F-06	24	RZ RJ
91103-SE5-0030	E-07	22	RZ RJ		S3903-25320	F-17	39	RZ RJ
91201-SE1-0000	E-09	20	RZ RJ		S3903-25320	F-25	16	RZ RJ
91202-SE1-0000	E-09	21	RZ RJ		S3903-34310	F-25	17	RZ RJ
91204-SA1-0000	E-09	22	RZ RJ		S3903-34320	F-23	19	RZ RJ
91204-SE5-0050	E-08	14	RZ RJ		S3903-34380	F-02	18	RZ RJ
91211-SE5-0130	E-07	23	RZ RJ		S3903-34420	F-06	25	RZ RJ
91256-BA6-7210-M1	F-08	18	RZ RJ		S3903-34420	F-17	40	RZ RJ
91258-BA6-1030	F-10	16	RZ RJ		S3903-34480	F-06	26	RZ RJ
91301-BA6-0000	E-09	23	RZ RJ					[S4000]
91303-CB2-1000	E-09	24	RZ RJ		S4001-05070-0S	F-03	21	RZ RJ
91309-SE5-9000	E-04	8	RZ RJ		S4001-10080-0S	F-20	17	RZ RJ
91351-SE5-0000	E-07	25	RZ RJ		S4001-12200-0S	E-06	17	RZ RJ
91351-SE5-1000	E-07	24	RZ RJ		S4002-10000-0S	F-21	12	RZ
91411-BA6-9600	F-06	23	RZ RJ		S4021-05070-0S	F-03	22	RZ RJ
			[S2000]		S4050-06070	F-04	17	RZ RJ
S2700-06028-1B	E-02	6	RZ RJ		S4050-06080	F-12	4	RZ RJ
			[S3000]		S4050-06080	F-19	12	RZ RJ
S3404-06012-08	F-17	36	RZ RJ		S4050-06080	F-06	27	RZ RJ
S3404-06012-08	F-07	16	RZ RJ		S4050-06080	F-25	18	RZ RJ
S3404-06012-08	F-25	15	RZ RJ		S4050-06080	F-24	17	RZ RJ
S3404-06012-08	F-23	15	RZ RJ		S4050-08080	F-13	14	RZ RJ
S3404-06016-08	F-01	7	RZ RJ		S4050-10080	E-03	5	RZ RJ
S3404-06020-08	F-17	37	RZ RJ		S4101-05000	F-19	13	RZ RJ
S3404-06028-08	F-18	8	RZ RJ		S4101-05800	F-02	19	RZ RJ
S3404-06035-07	F-13	12	RZ RJ		S4101-10800	F-20	18	RZ RJ
S3600-04012-1G	F-04	15	RZ RJ		S4301-10160	E-05	5	RZ RJ
S3700-05016-0G	F-02	16	RZ RJ		S4301-10160	E-08	15	RZ RJ
S3891-04012-08	F-17	38	RZ RJ		S4511-14000	E-06	18	RZ RJ
S3891-05012-07	E-01	9	RZ RJ		S4520-24000	E-07	26	RZ RJ
S3891-05012-07	F-18	9	RZ RJ					[S5000]
S3891-05014-08	F-13	13	RZ RJ		S5002-02070	E-11	21	RZ RJ
S3892-04008-08	E-04	9	RZ RJ		S5002-50000	F-16	13	RZ RJ
S3892-04008-10	E-11	19	RZ RJ		S5003-07007-31	E-11	22	RZ RJ
S3892-04014-08	E-11	20	RZ RJ		S5003-07025-31	E-11	23	RZ RJ
S3892-05016-08	F-24	16	RZ RJ		S5015-BA6-0000-M1	F-11	15	RZ RJ
S3892-05028-07	F-03	20	RZ RJ		S5016-CB3-0000	F-11	16	RZ RJ
					S5701-06010-08	F-13	15	RZ RJ
					S5701-06010-08	F-24	18	RZ RJ

PART NO. APPLIED COUNTRY INDEX

Part No.	Block No.	Ref. No.	Applied country	Part No.	Block No.	Ref. No.	Applied country
[S5000]				[S9000]			
S5701-06012-07	F-02	20	RZ RJ	S9001-08100	F-26	6	RZ RJ
S5701-06012-08	F-04	18	RZ RJ	S9001-BA7-0300-M1	F-26	7	RZ RJ
S5701-06012-08	F-08	19	RZ RJ	S9001-BA7-0600-M1	F-26	8	RZ RJ
S5701-06012-08	F-25	19	RZ RJ	S9101-SE5-0650-B1	E-11	24	RZ RJ
S5701-06012-08	F-24	19	RZ RJ	S9103-SE5-0350-B1	E-11	25	RZ RJ
S5701-06012-08	F-17	41	RZ RJ				
S5701-06012-08	F-08	19	RZ				
S5701-06016-08	F-12	5	RZ RJ				
S5701-06016-08	F-14	18	RZ RJ				
S5701-06020-08	F-18	10	RZ RJ				
S5701-06022-07	F-20	19	RZ RJ				
S5701-06022-08	F-20	19	RZ RJ				
S5701-06025-07	F-04	19	RZ RJ				
S5701-06030-08	F-11	17	RZ RJ				
S5701-08016-08	F-17	42	RZ RJ				
S5701-08035-08	F-19	14	RZ RJ				
S5801-08025-08	F-09	18	RZ RJ				
S5801-10045-08	F-07	17	RZ RJ				
[S6000]							
S6001-06012-00	E-03	6	RZ RJ				
S6001-06016-00	E-01	10	RZ RJ				
S6001-06016-00	E-04	10	RZ RJ				
S6001-06018-00	E-03	7	RZ RJ				
S6001-06020-00	F-19	15	RZ RJ				
S6001-06020-00	F-24	20	RZ RJ				
S6001-06025-00	E-03	8	RZ RJ				
S6001-06028-00	E-08	16	RZ RJ				
S6001-06032-00	E-09	26	RZ RJ				
S6001-06035-00	E-08	17	RZ RJ				
S6001-06035-00	E-09	27	RZ RJ				
S6001-06040-00	E-05	6	RZ RJ				
S6001-06045-00	E-09	28	RZ RJ				
S6001-06050-00	E-09	29	RZ RJ				
S6001-06065-00	E-09	30	RZ RJ				
S6001-06080-00	E-09	31	RZ RJ				
S6001-06080-00	E-05	7	RZ RJ				
S6100-62013-00	E-09	32	RZ RJ				
S6100-62023-00	E-08	18	RZ RJ				
[S8000]							
S8076-5871G-00	E-02	7	RZ RJ				
S8200-10700	F-24	21	RZ RJ				

PARTS NAME INDEX

Description	Block No.	Ref. No.	Description	Block No.	Ref. No.	Description	Block No.	Ref. No.	Description	Block No.	Ref. No.
[A]			BOLT, FLANGE 6mm	F-06	16	BOLT, STUD 6x28	E-02	6	CAM, RR.BRAKE	F-11	7
ADJUSTER, SPRING	F-21	6	BOLT, FLANGE 6x10	F-24	18	BOLT, WASHER 6x12	F-17	36	CAP A, FLOOR PANEL	F-13	8
AIR FILTER ASS'Y, SECONDARY	F-19	1	BOLT, FLANGE 6x12	F-13	15	BOLT, WASHER 6x12	F-07	16	CAP ASS'Y, FUEL	F-14	6
ARM ASS'Y, KICK STARTER(BLACK)	F-20	1	BOLT, FLANGE 6x12	F-24	19	BOLT, WASHER 6x12	F-25	15	CAP ASS'Y, NOISE SUPPRESSOR	F-24	4
ARM ASS'Y, KICK STARTER(NICKEL PLATING)	F-20	1	BOLT, FLANGE 6x12	F-08	19	BOLT, WASHER 6x12	F-23	15	CAP ASS'Y, OIL	F-16	6
ARM, RR.BRAKE	F-11	9	BOLT, FLANGE 6x12	F-02	20	BOLT, WASHER 6x16	F-01	7	CAP ASS'Y, SPARK PLUG	F-24	3
ASS'Y, LICENSE PLATE	F-25	1	BOLT, FLANGE 6x12	F-04	18	BOLT, WASHER 6x20	F-17	37	CAP B, FLOOR PANEL	F-13	9
AXLE, FR.WHEEL	F-10	2	BOLT, FLANGE 6x12	F-08	19	BOLT, WASHER 6x28	F-18	8	CAP, A.C GENERATOR	E-09	17
			BOLT, FLANGE 6x12	F-25	19	BOLT, WASHER 6x35	F-13	12	CAP, BLEEDER	F-09	6
[B]			BOLT, FLANGE 6x12	F-17	41	BOOT, PIN	F-09	13	CAP, CABLE SEALING	E-11	15
BAG, TOOL 160mm	F-26	4	BOLT, FLANGE 6x16	F-12	5	BOSS, DRIVE FACE	E-06	2	CAP, HOLDER	E-11	2
BALL ASS'Y, STEERING STEEL(BOTTOM)	F-07	7	BOLT, FLANGE 6x16	F-14	18	BOTTOM CASE, LH.FR.	F-08	12-1	CAP, LOCK NUT	F-03	16
BALL ASSY, STEERING STEEL	F-07	6	BOLT, FLANGE 6x20	F-18	10	BOTTOM CASE, LH.FR.	F-08	12	CAP, MASTER CYLINDER	F-04	6
BAND 42, AIR CLEANER CONNECTING TUBE	F-18	7	BOLT, FLANGE 6x22(B)	F-20	19	BOX ASS'Y, INNER	F-06	7	CAP, NUMBERING	F-06	9
BAR ASS'Y, LH.PILLION STEP	F-17	3	BOLT, FLANGE 6x22(Y)	F-20	19	BOX ASS'Y, LUGGAGE(ENGLISH)	F-17	16	CAP, OUTER	E-11	3
BAR ASS'Y, RH.PILLION STEP	F-17	2	BOLT, FLANGE 6x25	F-04	19	BOX ASS'Y, LUGGAGE(FRANCE)	F-17	16	CARBURETOR ASS'Y	E-11	13
BAR COMP., SIDE STAND	F-20	11	BOLT, FLANGE 6x30	F-11	17	BOX ASS'Y, LUGGAGE(GERMANY)	F-17	16	CARRIER, RR	F-17	10
BAR COMP., SIDE STAND(SPAIN)	F-20	11	BOLT, FLANGE 6x95	E-02	5	BOX ASS'Y, LUGGAGE(ITALY)	F-17	16	CASE, LH.CRANK	E-09	4
BASE, PILOT BOX	F-02	12	BOLT, FLANGE 8x16	F-17	42	BOX ASS'Y, LUGGAGE(SPAIN)	F-17	16	CASE, RH.CRANK	E-09	1
BASE, RR.COMBL	F-23	9	BOLT, FLANGE 8x25	F-09	18	BOX ASS'Y, PILOT	F-02	10-1	CASE, RH.FR.BOTTOM	F-08	7
BATTERY ASS'Y, GTH4L-BS(12V 3A)	F-15	4	BOLT, FLANGE 8x35	F-19	14	BOX ASS'Y, SPEEDOMETER GEAR	F-10	8	CASE, RH.FR.BOTTOM	F-08	7-1
BEARING, BALL 6201	E-09	32	BOLT, FLANGE SH. 6X65	E-09	30	BOX COVER, LUGGAGE	F-17	15	CASE, SPEEDOMETER	F-02	4
BEARING, BALL 6202	E-08	18	BOLT, FLANGE SH.6x12	E-03	6	BOX, LUGGAGE	F-17	13	CATCH COMP., SEAT	F-17	6
BEARING, CONNECTING ROD BIG END	E-10	15	BOLT, FLANGE SH.6x16	E-01	10	BRACKET ASS'Y, HANDLE	F-03	9	CHAMBER SET, FLOAT	E-11	9
BEARING, CONNECTING ROD SMALL END	E-10	17	BOLT, FLANGE SH.6x16	E-04	10	BRACKET, A.LAIR CLEANER	F-19	3	CIR CLIP 6mm	E-07	20
BEARING, NEEDLE 17x25x18 WS	E-07	22	BOLT, FLANGE SH.6x18	E-03	7	BRACKET, CALIPER	F-09	17	CIR CLIP, E-TYPE 3mm	F-03	2
BEARING, RADIAL BALL 6004UU	E-09	19	BOLT, FLANGE SH.6x20	F-19	15	BRACKET, FR.	E-04	3	CIR CLIP, EXTERNAL 14mm	E-06	18
BEARING, RADIAL BALL 6201U(NTN)	F-10	15	BOLT, FLANGE SH.6x20	F-24	20	BRACKET, LH.HANDLE LEVER	F-03	10	CIR CLIP, INTERNAL 24	E-07	26
BEARING, RADIAL BALL 6203(TMB)	E-08	13	BOLT, FLANGE SH.6x25	E-03	8	BULB, HEADLIGHT(12V 35W/35W)	F-01	5	CLAMP	F-23	13
BEARING, RADIAL BALL 6901U	E-07	21	BOLT, FLANGE SH.6x28	E-08	16	BULB, TAIL & STOP(12V 21W/5W)	F-23	12	CLAMP B, RR.BRAKE CABLE	E-01	8
BEARING, RADIAL BALL A 6304SP 20x56x12	E-10	16	BOLT, FLANGE SH.6x32	E-09	26	BULB, WEDGE BASE (12V 1.7W)	F-02	1	CLAMP, BRAKE HOSE	F-04	3
BELT, DRIVE	E-07	9	BOLT, FLANGE SH.6x35	E-09	27	BULB, WEDGE BASE T6.5(14V 3W)	F-02	2	CLAMP, RR.BRAKE CABLE	E-05	4
BLEEDER	F-09	5	BOLT, FLANGE SH.6x35	E-08	17	BULB, WINKER(12V 10W)	F-22	6	CLAMP., CORD	E-04	7
BOARD COMP., LH.FLOOR	F-13	5	BOLT, FLANGE SH.6x40	E-05	6	BULB, WINKER(12V 10W)	F-23	11	CLAMPER, BRAKE HOSE	F-04	3
BOARD COMP., RH.FLOOR	F-13	4	BOLT, FLANGE SH.6x45	E-09	28	BUSH 8x12x8	E-05	1	CLEANER ASS'Y, AIR	F-18	1
BODY COMP., FRAME	F-25	3	BOLT, FLANGE SH.6x50	E-09	29	BUSH 8x12x8	E-09	6	CLIP B, BREATHER TUBE	F-16	1
BODY, FUEL CAP	F-14	7	BOLT, FLANGE SH.6x80	E-09	31	BUSH, BOOT PIN	F-09	2	CLIP, 2x90	F-06	23
BOLT A, PIN	F-09	14	BOLT, FLANGE SH.6x80	E-05	7	BUSH, ENGINE HANGER RUBBER	E-09	2	CLIP, B7 TUBE	E-11	21
BOLT, CHECK	E-08	9	BOLT, FORK	F-08	14	BUSH, KICK SPINDLE	E-06	12	CLIP, BODY COVER	F-17	35
BOLT, FLANGE 10x195	F-25	11	BOLT, FR.DISK 8x24	F-10	12	BUSH, RR.CUSHION RUBBER	F-21	7	CLIP, BODY COVER	F-06	22
BOLT, FLANGE 10x20	F-20	16	BOLT, FR.DISK 8x57	F-10	12	BUSH, RR.CUSHION UNDER RUBBER	E-08	1	CLIP, BODY COVER	F-25	14
BOLT, FLANGE 10x240.5	F-25	12	BOLT, HANDLE LEVER	F-04	12	BYSTARTER ASS'Y, AUTO	E-11	16	CLIP, BODY COVER	F-23	14
BOLT, FLANGE 10x45	F-07	17	BOLT, INLET PIPE SPECIAL	E-09	18				CLIP, C9 TUBE	F-16	13
BOLT, FLANGE 10x50	F-05	8	BOLT, OIL, 10x22	F-04	13				CLIP, PISTON PIN 12mm	E-10	5
BOLT, FLANGE 6mm	F-07	15	BOLT, PIN	F-09	1	CABLE ASS'Y, SPEEDOMETER	F-02	14	COCK ASS'Y, FUEL	F-14	4
BOLT, FLANGE 6mm	F-17	31	BOLT, RR.CUSHION UNDER	F-21	10	CABLE COMP., RR.BRAKE	F-03	6	COCK SET, FUEL	F-14	3
BOLT, FLANGE 6mm	F-16	12	BOLT, SOCKET 8mm	F-08	13	CABLE COMP., THROTTLE	F-03	1	COIL COMP., IGNITION	F-24	1
			BOLT, SPECIAL 8x24	F-17	29	CABLE, SEAT LOCK	F-17	7	COLLAR A, FR.BRAKE	F-10	3
			BOLT, SPECIAL 8x49	F-17	28	CALIPER ASS'Y, LH.FR.	F-09	7	COLLAR, AIR CLEANER SETTING	F-18	4
			BOLT, STOPPER RUBBER	F-20	15				COLLAR, FR.AXLE DISTANCE	F-10	6
						[C]					

PARTS NAME INDEX

Description	Block No.	Ref. No.	Description	Block No.	Ref. No.	Description	Block No.	Ref. No.	Description	Block No.	Ref. No.
[S]											
SEAL, BRAKE CAM DUST	F-11	12	SPRING, MAIN STAND INNER	F-20	9	SWITCH ASS'Y, FR.STOP(KL)	F-04	1	[V]		
SEAL, DUST	F-09	12	SPRING, MAIN STAND OUTER	F-20	8	SWITCH ASS'Y, LIGHTING START	F-03	3	VALVE COMP., FLOAT	E-11	18
SEAL, DUST	F-08	8	SPRING, PAD	F-09	11	SWITCH ASS'Y, OIL LEVEL	F-16	3	VALVE COMP., REED	E-09	8
SEAL, DUST 20x32x5	F-10	14	SPRING, REBOUND	F-08	6	SWITCH ASS'Y, RR.STOP	F-03	5	VALVE SET, THROTTLE	E-11	11
SEAL, HIGHTENTION TERMINAL	F-24	2	SPRING, RETURN LEVER	F-03	13	SWITCH ASS'Y, RR.STOP(YUHUAN KAILNG)	F-03	5	VALVE, RIM (SWALLOW)	F-11	4-1
SEAL, MISSION COVER	E-08	3	SPRING, RR.BRAKE ARM	F-11	10	SWITCH COMP., WINKER	F-03	4	VALVE, RIM TR413	F-11	4
SEAL, OIL	F-08	17	SPRING, RR.BRAKE SHOE	F-11	11	SWITCH.ASS'Y, SIDE STAND	F-24	11	VALVE, RIM TR413	F-10	1
SEAL, OIL 15.6x25.5x7	E-09	20	SPRING, RR.CUSHION	F-21	2	[T]			[W]		
SEAL, OIL 17x30x5	E-08	14	SPRING, RR.CUSHION(Spain Only)	F-21	2-1	TANK COMP., FUEL	F-14	5	WASHER 26x14xT2.8	F-11	14
SEAL, OIL 19.4x31x7	E-09	21	SPRING, SIDE STAND INNER	F-20	12	TANK, OIL	F-16	4	WASHER 8mm	E-08	12
SEAL, OIL 30x42x7	E-09	22	SPRING, SIDE STAND OUTER	F-20	13	TIRE, FR.(120/70-12 53K)	F-10	7	WASHER, KICK SPINDLE	E-06	16
SEAL, OIL 34x39x3	E-07	23	SPRING, STARTER GEAR FRICTION	E-06	8	TIRE, FR.(120/70-12 58L)	F-10	7	WASHER, OIL BOLT	F-04	14
SEAL, PISTON	F-09	15	STAND ASS'Y, MAIN(EU)	F-20	2	TIRE, FR.(120/70-12 58L)	F-10	7-1	WASHER, PINION	F-10	10
SEAL, SHROUD	E-01	6	STAND ASS'Y, MAIN(SPAIN)	F-20	2	TIRE, FR.(130/90-10 61J)	F-10	7-2	WASHER, PLAIN 5mm	F-20	18
SEAL, SPEEDOMETER GEAR BOX	F-10	16	STAND COMP., MAIN(EU)	F-20	3	TIRE, RR.(130/70-12 62K)	F-11	3	WASHER, PLAIN 10mm	F-02	19
SEAT ASS'Y, MAIN	F-12	1	STAND COMP., MAIN(SPAIN)	F-20	3-1	TIRE, RR.(130/70-12 62L)	F-11	3	WASHER, PLAIN 5mm	F-19	13
SEAT COMP., PILLION	F-12	2	STATOR COMP.	E-03	4	TIRE, RR.(130/70-12 62L)	F-11	3-1	WASHER, SIDE 14mm	E-08	10
SET, PILOT BOX(ENGLISH)	F-02	10	STAY COMP., FUEL TANK SUPPORT	F-25	6	TIRE, RR.(130/90-10 61J)	F-11	3-2	WASHER, SPECIAL 12mm	E-06	15
SET, PILOT BOX(FRANCE)	F-02	10	STAY, EMBLEM	F-07	5	TOOL SET	F-26	1	WASHER, SPECIAL 8mm	F-08	15
SET, PILOT BOX(GERMANY)	F-02	10	STAY, FR.COVER (Zinc plating)	F-25	5	TOP SET	E-11	8	WASHER, THRUST 10mm	E-06	14
SET, PILOT BOX(ITALY)	F-02	10	STAY, FR.COVER(Black painting)	F-25	5	TUBE A ASS'Y, A.I.A.C	F-19	2	WASHER, THRUST 14mm	E-08	11
SET, PILOT BOX(SPAIN)	F-02	10	STAY, HELMET HOLDER	F-17	1	TUBE ASS'Y, OIL	F-16	10	WASHER, THRUST 6mm	E-07	19
SHAFT COMP., CRANK	E-10	1	STAY, SPEEDOMETER	F-02	8	TUBE ASS'Y, OIL PASS	E-09	12	WEIGHT, CLUTCH	E-07	5
SHAFT, COUNTER	E-08	6	STEM COMP., STEERING	F-07	4-1	TUBE B, FUEL 5.3x50	F-14	12	WHEEL ASS'Y, FR.	F-10	4-2
SHAFT, DRIVE	E-08	5	STEM COMP., STEERING	F-07	4	TUBE, AIR VENT	E-11	17	WHEEL ASS'Y, FR.	F-10	4
SHAFT, LH.CRANK	E-10	12	STOPPER RUBBER, MAIN STAND	F-20	5	TUBE, BREATHER	E-09	7	WHEEL ASS'Y, FR.	F-10	4-1
SHAFT, RH.CRANK	E-10	11	STRAINER ASS'Y, FUEL	F-14	1	TUBE, DIAMETER 5.3 OIL	F-16	9	WHEEL ASS'Y, FR.	F-10	4-2
SHOE ASS'Y, BRAKE	F-11	5	STRAINER COMP., FUEL	F-14	2	TUBE, FUEL 4.5x220	F-14	14	WHEEL ASS'Y, RR.	F-11	1
SHOE COMP., BRAKE	F-11	6	STRAINER, OIL	F-16	2	TUBE, FUEL 4.5x250	F-14	13	WHEEL ASS'Y, RR.	F-11	1-1
SHROUD COMP.	E-01	5	STRIP E A, LH.BODY COVER(DL/BLUE)	F-17	26	TUBE, FUEL 5.3x105	F-14	15	WHEEL ASS'Y, RR.	F-11	1-2
SOCKET COMP., HEADLIGHT	F-01	4	STRIP E A, LH.BODY COVER(S/ORANGE)	F-17	26	TUBE, PLUSE	F-14	11	WHEEL COMP., RR.CASTING	F-10	5-1
SOCKET COMP., PILOT	F-02	13	STRIP E A, RH.BODY COVER(DL/BLUE)	F-17	25	TUBE, VINYL 4x7x250	E-11	23	WHEEL COMP., RR.CASTING	F-11	2-1
SOCKET COMP., RR.COMBI.	F-23	8	STRIP E A, RH.BODY COVER(S/ORANGE)	F-17	25	TUBE, VINYL 4x7x70	E-11	22	WHEEL, FR.CASTING	F-10	5-1
SOCKET COMP., SPEEDOMETER	F-02	6	STRIP E B, LH.BODY COVER(D/BLUE)	F-17	23-1	[U]			WHEEL, FR.CASTING	F-10	5
SPANNER 10x12	F-26	7	STRIP E B, LH.BODY COVER(S/ORANGE)	F-17	23-1	UNDER COVER A, FR.(BLACK)	F-06	4	WHEEL, RR.CASTING	F-11	2-1
SPANNER 14x17	F-26	8	STRIP E B, RH.BODY COVER(DL/BLUE)	F-17	22-1	UNDER COVER A, FR.(DL/BLUE)	F-06	4	WHEEL, RR.CASTING	F-11	2
SPANNER 8x10	F-26	6	STRIP E B, RH.BODY COVER(S/ORANGE)	F-17	22-1	UNDER COVER A, FR.(S/BLUE)	F-06	4	WINKER ASS'Y, LH.FR.	F-22	3
SPEEDOMETER ASS'Y	F-02	3	STRIP E, LH.BODY COVER	F-17	23	UNDER COVER A, FR.(S/ORANGE)	F-06	4	WINKER ASS'Y, RH.FR.	F-22	1
SPEEDOMETER COMP.	F-02	7	STRIP E, LH.FR.COVER(DL/BLUE)	F-06	14	UNDER COVER A, FR.(SILVER)	F-06	4	WRENCH, BOX 21mm	F-26	5
SPINDLE COMP., KICK STARTER	E-06	11	STRIP E, LH.FR.COVER(S/ORANGE)	F-06	14	UNDER COVER B, FR.(M/BLACK)	F-06	5			
SPRING SET, MAIN STAND	F-20	7	STRIP E, LH.FR.UNDER COVER(DL/BLUE)	F-06	12	UNIT ASS'Y, CDI	F-15	1			
SPRING SET, SIDE STAND	F-20	10	STRIP E, LH.FR.UNDER COVER(S/ORANGE)	F-06	12	UNIT COMP., CDI	F-15	3			
SPRING, BRUSH	E-04	4	STRIP E, RH.BODY COVER	F-17	22	UNIT, HEADLIGHT	F-01	2			
SPRING, CLUTCH	E-07	4	STRIP E, RH.FR.COVER(DL/BLUE)	F-06	13-1						
SPRING, DRIVEN FACE	E-07	14	STRIP E, RH.FR.COVER(S/ORANGE)	F-06	13-1						
SPRING, FR.CUSHION	F-08	4	STRIP E, RH.FR.UNDER COVER(DL/BLUE)	F-06	11						
SPRING, KICK RETURN	E-06	13	STRIP E, RH.FR.UNDER COVER(S/ORANGE)	F-06	11						
			SUB ASS'Y, MUFFLER	F-19	4						
			SUSPENSION, START RELAY	F-24	15						
			SWITCH ASS'Y, FR.STOP	F-04	1						