



ATV Log Arch and Holder

Owner's Manual



⚠ WARNING: Read carefully and understand all ASSEMBLY AND OPERATION INSTRUCTIONS before operating. Failure to follow the safety rules and other basic safety precautions may result in serious personal injury.

Item #51961

SAVE THESE INSTRUCTIONS

Thank you very much for choosing a Strongway™ product!

For future reference, please complete the owner's record below:

Serial Number/Lot Date Code: _____

Purchase Date: _____

Save the receipt, warranty, and this manual. It is important that you read the entire manual to become familiar with this product before you begin using it.

This ATV Log Arch and Holder is designed for certain applications only. Northern Tool & Equipment is not responsible for issues arising from modification or improper use of this product such as an application for which it was not designed. We strongly recommend that this product not be modified and/or used for any application other than that for which it was designed.

For technical questions, please call **1-800-222-5381**.

Table of Contents

Intended Use.....4

Technical Specifications4

Important Safety Information4

Specific Operation Warnings5

Main Parts of Log Arch & Holder7

Assembly Instructions.....8

Before Each Use.....8

Operating Instructions.....9

After Each Use.....10

Maintenance10

Parts Diagram11

Parts List.....12

Replacement Parts12

Limited Warranty.....13

Intended Use

The Strongway ATV Log Arch and Holder easily moves logs up to 1,000 pounds with a length of 20 feet. It minimizes snagging and keeps logs mud-free during transport.

Technical Specifications

Property	Specification
Log Diameter (in.)	24
Log Length (ft.)	20
Log Weight (lbs.)	1,000
Tires (in.)	16.5" x 4.8"-8"
Construction	Steel

Important Safety Information

⚠WARNING

- Read and understand all instructions. Failure to follow all instructions may result in serious injury or property damage.
- The warnings, cautions, and instructions in this manual cannot cover all possible conditions or situations that could occur. Exercise common sense and caution when using this log arch and holder. Always be aware of the environment and ensure that the log arch and holder is used in a safe and responsible manner.
- Do not allow persons to operate or assemble the log arch and holder until they have read this manual and have developed a thorough understanding of how it works.
- Do not modify this log arch and holder in any way. Unauthorized modification may impair the function and/or safety and could affect the life of the product. There are specific applications for which the product was designed.
- Use the right tool for the job. DO NOT attempt to force small equipment to do the work of larger industrial equipment. There are certain applications for which this equipment was designed. It will do the job better and more safely at the capacity for which it was intended. DO NOT use this equipment for a purpose for which it was not intended.
- Industrial or commercial applications must follow OSHA requirements.

⚠WARNING

- This product may contain chemicals known to the State of California to cause cancer, birth defects or other reproductive harm.

⚠WARNING

WORK AREA SAFETY

- Inspect the work area before each use. Keep work area clean, dry, free of clutter, and well-lit. Cluttered, wet, or dark work areas can result in injury. Using the log arch and holder in confined

work areas may put you dangerously close to cutting tools and rotating parts.

- Keep children and bystanders away from the work area while operating the tool. Do not allow children to handle the log arch and holder.

⚠WARNING

PERSONAL SAFETY

- Stay alert, watch what you are doing, and use common sense when operating the log arch and holder. Do not use the tool while you are tired or under the influence of drugs, alcohol, or medication. A moment of inattention while operating the tool may result in serious personal injury.
- Dress properly. Do not wear loose clothing, dangling objects, or jewelry. Keep your hair, clothing and gloves away from moving parts. Loose clothes, jewelry, or long hair can be caught in moving parts. Air vents on the tool often cover moving parts and should be avoided.
- Wear the proper personal protective equipment when necessary. Use ANSIZ87.1 compliant safety goggles (not safety glasses) with side shields, or when needed, a face shield. Use a dust mask in dusty work conditions. Also use non-skid safety shoes, hardhat, gloves, dust collection systems, and hearing protection when appropriate. This applies to all persons in the work area.
- Do not overreach. Keep proper footing and balance at all times.

⚠CAUTION

LOG ARCH & HOLDER USE AND CARE

- Do not force the log arch and holder. Products do a better job and are safer when used in the manner for which they are designed. Plan your work, and use the correct product for the job.
- Check for damaged parts before each use. Carefully check that the log arch and holder will operate properly and perform its intended function. Replace damaged or worn parts immediately. Never operate the log arch and holder with a damaged part.
- Store the log arch and holder when it is not in use. Store it in a dry, secure place out of the reach of children. Inspect the tool for good working condition prior to storage and before re-use.
- Use only accessories that are recommended by the manufacturer for use with your Arch & Holder. Accessories that may be suitable for one product may create a risk of injury when used with another tool. Never use an accessory that has a lower operating speed or operating pressure than the tool itself.
- Keep guards in place and in working order. Never operate the product without the guards in place.

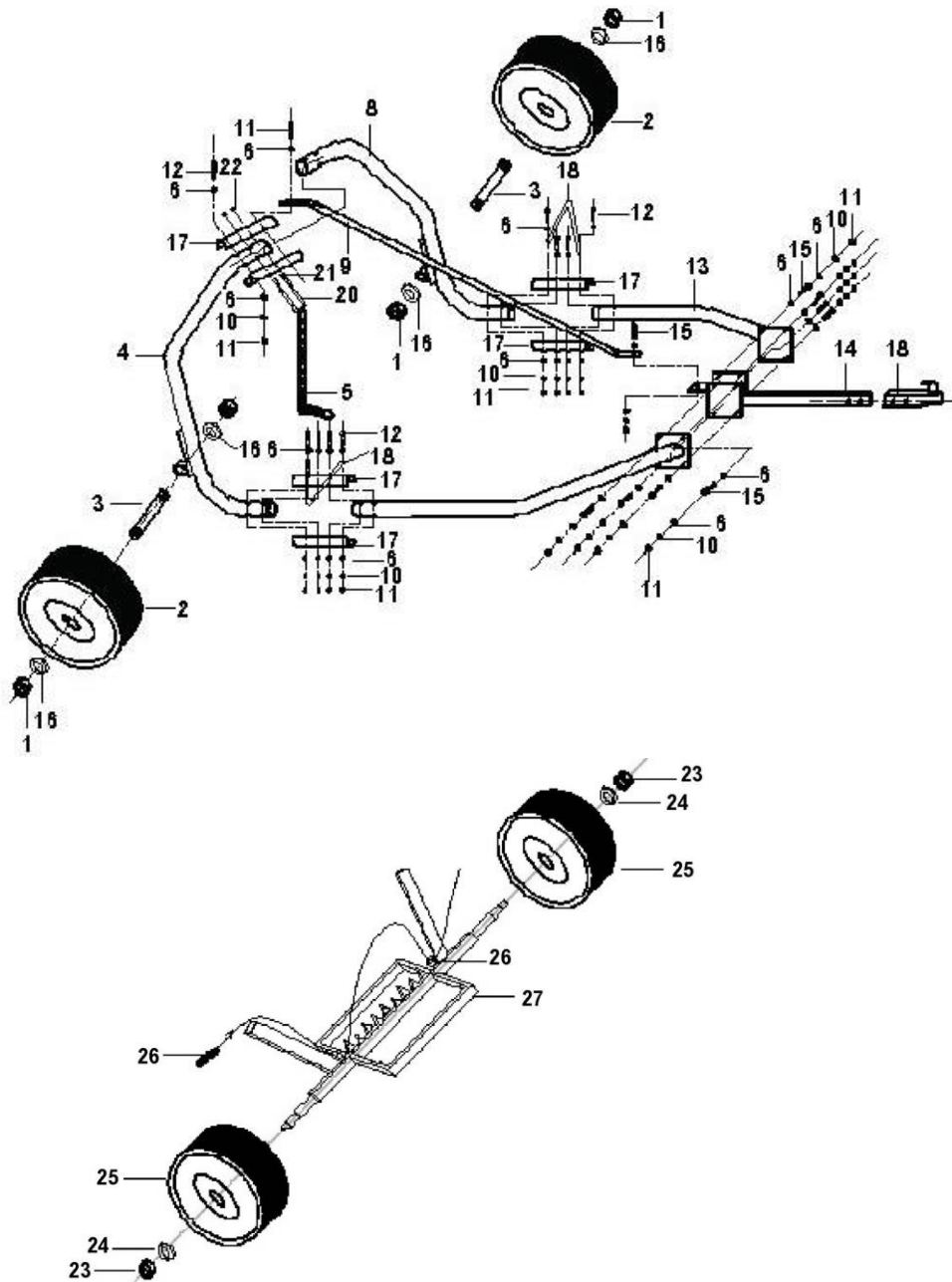
Specific Operation Warnings

⚠WARNING

- To prevent serious injury read and understand owner's manual before use.
- Wear ANSI Z87.1 compliant safety goggles.

- Do not exceed the rated load capacity and rated log dimensions.
- Wear steel toed boots and heavy duty leather gloves while handling logs.
- Do not exceed speeds of 10 MPH.
- Do not over inflate skidding arch tires. Over inflation may cause tires to burst or the rim to separate, causing serious personal injury.
- Do not operate on steep inclines. Skidding arch may tip over.
- Do not allow riders on the logging dolly.
- This log skidding arch is not DOT certified. Not for public road use.
- Check for damaged parts before each use. Do not use if parts are damaged.
- Not for use by or around children.

Main Parts of Log Arch & Holder



Part #	Description	Qty.	Part #	Description	Qty.
1	Nut M20	4	15	Hex Bolt M10x35	9
2	16.5" Front Wheel	2	16	Flat Washer	4
3	Axle	2	17	Sleeve	6
4	Left Arm	1	18	Mud Remover	2
5	Front Chain	1	19	Coupler	1
6	Flat Washer	42	20	U Clamp	1

Part #	Description	Qty.	Part #	Description	Qty.
8	Right Arm	1	21	M12 Nut	2
9	Pulling Rod	1	22	M12 Lock Nut	2
10	Spring Washer	21	23	M20 Lock Nut	2
11	Nut M10	21	24	Washer M20	2
12	Hex Bolt M10x75	11	25	16.5" Rear Wheel	2
13	Front Arm	2	26	Rear Chain	1
14	Towing Tongue	1	27	Rear Log Holder	1

Assembly Instructions

⚠WARNING

- Do not allow persons to operate or assemble this product until they have read this manual and have developed a thorough understanding of how the product works.
- Take all parts out of the shipping crate and inspect components to ensure there are no missing pieces before beginning to assemble.

1. Use Sleeves (#17) to connect the Left Arm (#4) and Right Arm (#8) together, and then insert the U clamp (#20) from bottom to top and fasten with Nut (#21 and #22).
2. Attach the Pulling Rod (#9) to the Left/Right Arm (#4, #8) and Towing Tongue (#14). Secure with Hex Bolt (#12, #15), Nut (#11), Spring Washer (#10), and Flat Washer (#6).
3. Use Sleeves (#17) to connect the Front Arms (#13) to the Left/Right Arm (#4, #8), and also attach the Mud Removers (#18) to the Sleeves (#17), then attach with a Hex Bolt (#12), Nut (#11), Spring Washer (#10), and Flat Washer (#6).
4. Attach the Front Arms (#13) to the Towing Tongue (#14), and attach with a Hex Bolt (#15), Nut (#11), Spring Washer (#10), and Flat Washer (#6).
5. Attach the Front Wheels (#2) to the Left Arm (#4) and Right Arm (#8), and secure with Axle (#3), Flat Washer (#16), and Nut (#1).
6. Attach the Rear Wheels (#25) to the Rear Log Holder (#27) and secure with a Nut (#23) and Washer (#24).
7. Connect the Log arch & holder to your ATV with the Coupler (#19) provided.

Before Each Use

⚠WARNING

- Wear ANSI Z87.1 compliant safety goggles.

- Wear steel toed boots and heavy duty leather gloves while handling logs.
- Do not over inflate skidding arch tires. Over inflation may cause tires to burst or the rim to separate, causing serious personal injury.
- Check for damaged parts before each use. Do not use if parts are damaged.

Operating Instructions

⚠WARNING

- Wear ANSI Z87.1 compliant safety goggles.
- Do not exceed the rated load capacity and rated log dimensions.
- Wear steel toed boots and heavy duty leather gloves while handling logs.
- Do not exceed speeds of 10 MPH.
- Do not over inflate skidding arch tires. Over inflation may cause tires to burst or the rim to separate, causing serious personal injury.
- Do not operate on steep inclines. Skidding arch may tip over.
- Do not allow riders on the logging dolly.
- This log skidding arch is not DOT certified. Not for public road use.
- Not for use by or around children.

1. Place a log under the log arch and holder and hold the end of the log with a timber jack (not provided).
2. Wrap the log with the Front Chain (#5) and attach it with the lock of the chain (below).



3. Hold the other end of the log with the timber jack (not provided) and load it on to the Rear Log Holder (#27).
4. Wrap the log with the Rear Chain (#26) and attach it with the lock of the chain (below).



Note: Logs will be easier to move and stay mud-free with less snagging if you use the Rear Log Holder (#27) to hold the logs. However, if the transporting distance is short, or the log is not very large, you can use the log arch and holder alone to hold and skid the log.

After Each Use

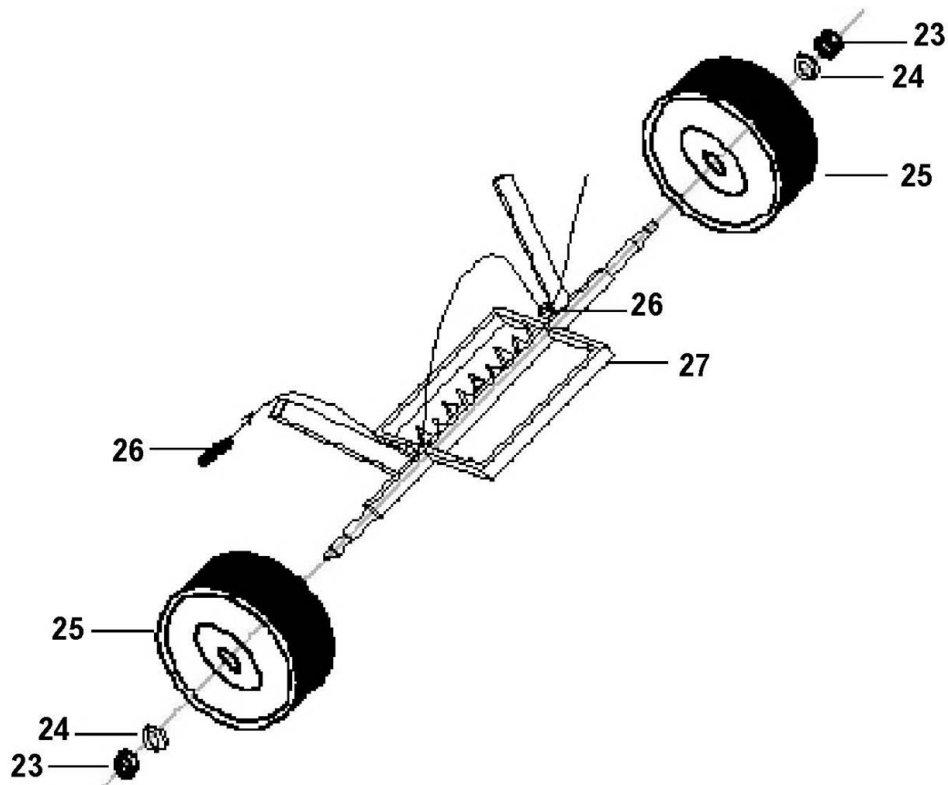
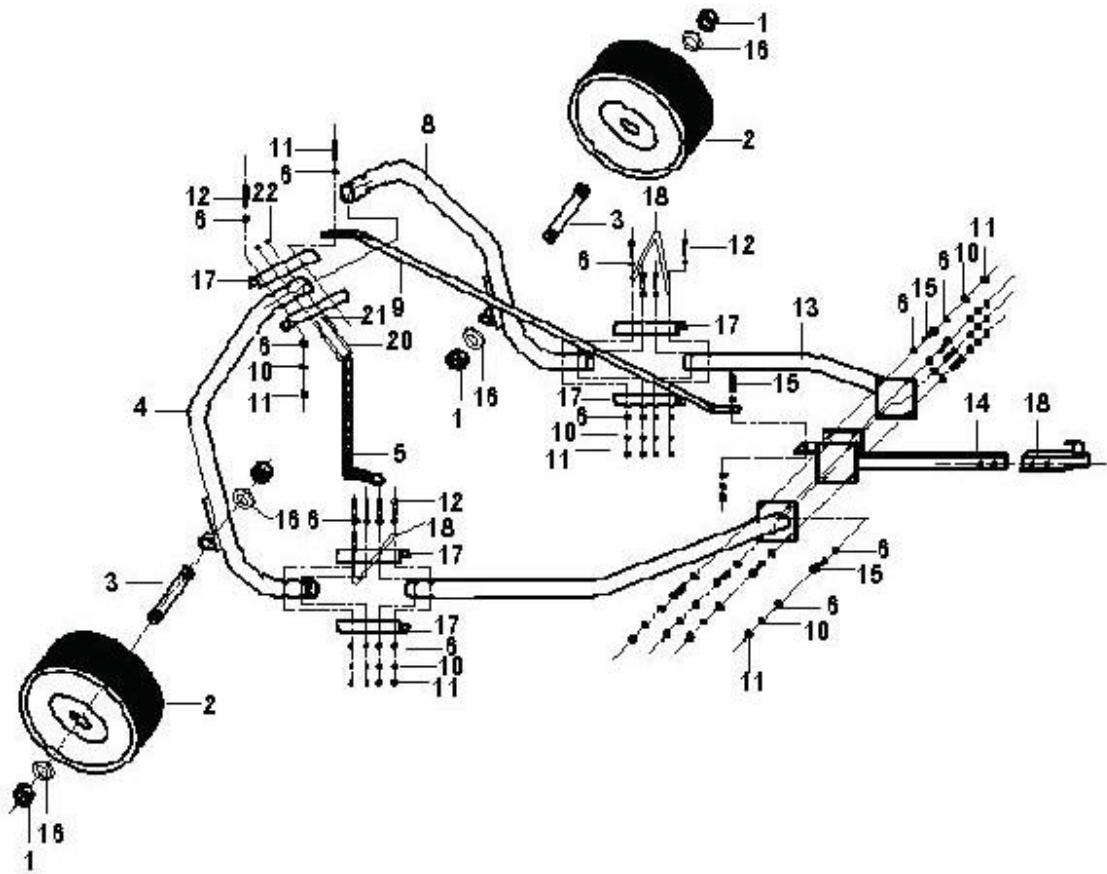
Store an idle log arch and holder in a secure place out of the reach of children. Inspect it for good working condition prior to storage and before re-use.

Maintenance

Maintain the log arch and holder by adopting a program of conscientious repair and maintenance in accordance with the following recommended procedures.

1. It is recommended that the general condition the product be examined before it is used. Keep the product in good working condition by adopting a program of conscientious repair and maintenance in accordance with the recommended procedures found in this manual. If any damage or wear is noted, have the problem corrected before further use. Have necessary repairs made by qualified service personnel.
2. Before using, make sure all the bolts and nuts have been secured.
3. The product should be cleaned with a dry and soft cloth. Many household cleaners can weaken the materials.
4. Keep the product dry. Prevent exposure to water or corrosive materials, which may rust or damage components of the log arch and holder.
5. When not in use, store the product in a safe area out of reach of children and unauthorized persons.
6. Occasionally apply some light oil to screw threads to prevent rust.

Parts Diagram



Parts List

Part #	Description	Qty.	Part #	Description	Qty.
1	Nut M20	4	15	Hex Bolt M10x35	9
2	16.5" Front Wheel	2	16	Flat Washer	4
3	Axle	2	17	Sleeve	6
4	Left Arm	1	18	Mud Remover	2
5	Front Chain	1	19	Coupler	1
6	Flat Washer	42	20	U Clamp	1
8	Right Arm	1	21	M12 Nut	2
9	Pulling Rod	1	22	M12 Lock Nut	2
10	Spring Washer	21	23	M20 Lock Nut	2
11	Nut M10	21	24	Washer M20	2
12	Hex Bolt M10x75	11	25	16.5" Rear Wheel	2
13	Front Arm	2	26	Rear Chain	1
14	Towing Tongue	1	27	Rear Log Holder	1

Replacement Parts

- For replacement parts and technical questions, please call Customer Service at **1-800-222-5381**.
- Not all product components are available for replacement. The illustrations provided are a convenient reference to the location and position of parts in the assembly sequence.
- When ordering parts, the following information will be required: item description, item model number, item serial number/item lot date code, and the replacement part reference number.
- The distributor reserves the rights to make design changes and or improvements to product lines and manuals without notice.

Limited Warranty

Northern Tool and Equipment Company, Inc. ("We" or "Us") warrants to the original purchaser only ("You" or "Your") that the Strongway product purchased will be free from material defects in both materials and workmanship, normal wear and tear excepted, for a period of one year from date of purchase. The foregoing warranty is valid only if the installation and use of the product is strictly in accordance with product instructions. There are no other warranties, express or implied, including the warranty of merchantability or fitness for a particular purpose. If the product does not comply with this limited warranty, Your sole and exclusive remedy is that We will, at our sole option and within a commercially reasonable time, either replace the product or product component without charge to You or refund the purchase price (less shipping). This limited warranty is not transferable.

Limitations on the Warranty

This limited warranty does not cover: (a) normal wear and tear; (b) damage through abuse, neglect, misuse, or as a result of any accident or in any other manner; (c) damage from misapplication, overloading, or improper installation; (d) improper maintenance and repair; and (e) product alteration in any manner by anyone other than Us, with the sole exception of alterations made pursuant to product instructions and in a workmanlike manner.

Obligations of Purchaser

You must retain Your product purchase receipt to verify date of purchase and that You are the original purchaser. To make a warranty claim, contact Us at 1-800-222-5381, identify the product by make and model number, and follow the claim instructions that will be provided. The product and the purchase receipt must be provided to Us in order to process Your warranty claim. Any returned product that is replaced or refunded by Us becomes our property. You will be responsible for return shipping costs or costs related to Your return visit to a retail store.

Remedy Limits

Product replacement or a refund of the purchase price is Your sole remedy under this limited warranty or any other warranty related to the product. We shall not be liable for: service or labor charges or damage to Your property incurred in removing or replacing the product; any damages, including, without limitation, damages to tangible personal property or personal injury, related to Your improper use, installation, or maintenance of the product or product component; or any indirect, incidental or consequential damages of any kind for any reason.

Assumption of Risk

You acknowledge and agree that any use of the product for any purpose other than the specified use(s) stated in the product instructions is at Your own risk.

Governing Law

This limited warranty gives You specific legal rights, and You also may have other rights which vary from state to state. Some states do not allow limitations or exclusions on implied warranties or incidental or consequential damages, so the above limitations may not apply to You. This limited warranty is governed by the laws of the State of Minnesota, without regard to rules pertaining to conflicts of law. The state courts located in Dakota County, Minnesota shall have exclusive jurisdiction for any disputes relating to this warranty.



Distributed by:

Northern Tool & Equipment Company, Inc.

Burnsville, Minnesota 55306

www.northerntool.com

Made in China