

*If you have questions or comments, contact us.  
Pour toute question ou tout commentaire, nous contacter.  
Si tiene dudas o comentarios, contáctenos.*

**1-888-895-4549 • [www.dewalt.com](http://www.dewalt.com)**

**INSTRUCTION MANUAL  
GUIDE D'UTILISATION  
MANUAL DE INSTRUCCIONES**

INSTRUCTIVO DE OPERACIÓN, CENTROS DE SERVICIO Y PÓLIZA DE GARANTÍA. **ADVERTENCIA:** LÉASE ESTE INSTRUCTIVO ANTES DE USAR EL PRODUCTO.

**DEWALT®**

**DXCMTB5590856**

**160cc, Gas Wheeled Portable Air Compressor**

**160cc, gaz roues de compresseur portatif**

**160cc, gas ruedas de compresor portátil**

## Air Compressor

- A. Pump Air Intake Filter
- B. Engine Air Filter
- C. Engine On/Off Switch
- D. Air Tank Pressure Gauge
- E. Regulated Pressure Gauge
- F. Pressure Regulator
- G. Air Outlet
- H. Unloader Valve
- I. Safety Valve
- J. Air Tank Drain Valve(s)
- K. Pump Oil Dipstick/Oil Fill Plug
- L. Pump Oil Drain Plug
- M. Fixed Throttle
- N. Choke Control
- O. Fuel Valve Lever
- P. Starter Grip

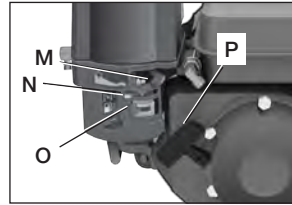
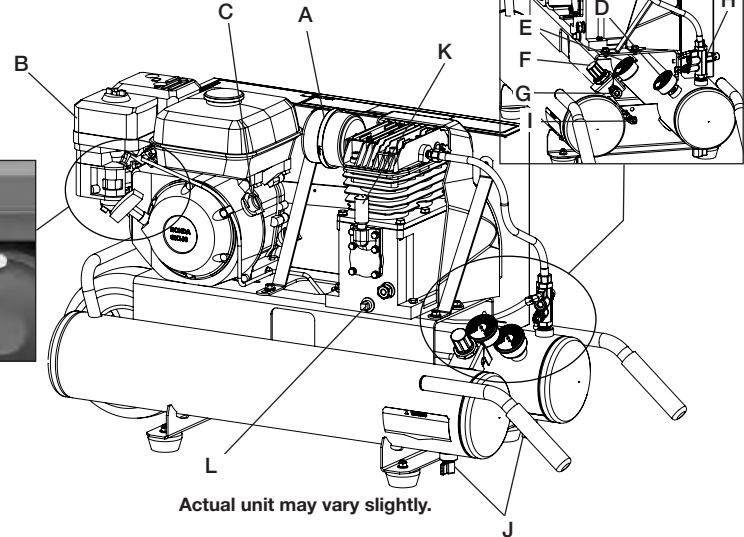


FIG. 1



## Pump Specifications

- Inline, vertical twin cylinder
- Single stage
- Oil lubricated
- Cast iron crankcase and cylinder
- Weight: 49 lbs. (22.2 kg)
- Oil Capacity: 16 oz. (473 mL)

## Engine Specifications

- Honda 160 cc
- Internal Combustion
- 4-stroke

High RPM 2000-3600

Idle RPM 1250-1600

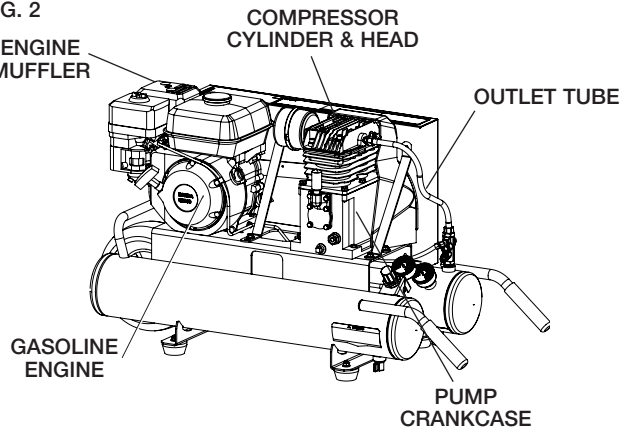
## Specifications

<b>MODEL</b>	<b>DXCMTB5590856</b>
<b>WEIGHT</b>	168 lbs. (76.2 kg)
<b>HEIGHT</b>	24.14" (536.9 mm)
<b>WIDTH</b>	17.26" (438.4 mm)
<b>LENGTH</b>	44.65" (1134.1 mm)
<b>AIR TANK CAPACITY</b>	8 gallons (30.3 liters)

MODEL	DXCMTB5590856
APPROX. BLOW OFF PRESSURE	150 psi
SCFM @ 100 PSI	9.9 *
* Tested per ISO 1217	

## Hot Surfaces

FIG. 2



## Definitions: Safety Guidelines

The definitions below describe the level of severity for each signal word. Please read the manual and pay attention to these symbols.

**⚠DANGER:** Indicates an imminently hazardous situation which, if not avoided, will result in death or serious injury.

**⚠WARNING:** Indicates a potentially hazardous situation which, if not avoided, could result in death or serious injury.

**⚠CAUTION:** Indicates a potentially hazardous situation which, if not avoided, may result in minor or moderate injury.

**NOTICE:** Indicates a practice not related to personal injury which, if not avoided, may result in property damage.

IF YOU HAVE ANY QUESTIONS OR COMMENTS ABOUT THIS OR ANY DEWALT TOOL, CALL US TOLL FREE AT: 1-888-895-4549

## Important Safety Instructions

**⚠DANGER: Carbon Monoxide.** Using an engine indoors can kill you in minutes. Engine exhaust contains high levels of carbon monoxide (CO), a poisonous gas you cannot see or smell. You may be breathing CO even if you DO NOT smell engine exhaust.

- **NEVER** use an engine inside homes, garages, crawlspaces, or other partly enclosed areas. Deadly levels of carbon monoxide can build up in these areas. Using a fan or opening windows and doors does **NOT** supply enough fresh air.
- **ONLY** use outdoors and far away from open windows, doors and vents. These openings can pull in engine exhaust.
- Even when the engine is used correctly, CO may leak into your home. **ALWAYS** use a battery-powered or battery backup CO alarm (not supplied) in the home. **Read and follow all directions for CO alarm before using.** If you start to feel sick, dizzy or weak at anytime, move to fresh air immediately. See a doctor. You could have carbon monoxide poisoning.

**⚠ WARNING:** Do not operate this unit until you read this instruction manual and the engine instruction manual for safety, operation and maintenance instructions.

**⚠ WARNING:** This product may not be equipped with a spark-arresting muffler. If the product is not equipped and will be used around flammable materials or on land covered with materials such as agricultural crops, forest, brush, grass or other similar items, then an approved spark arrester must be installed and is legally required in the state of California. It is a violation of California statutes section 130050 and/or sections 4442 and 4443 of the California Public Resources Code, unless the engine is equipped with a spark arrester, as defined in section 4442, and maintained in effective working order. Spark arresters are also required on some U.S. Forest Service land and may also be legally required under other statutes and ordinances.

**⚠ WARNING:** This product contains chemicals known to the State of California to cause cancer, and birth defects or other

reproductive harm. **Wash hands after handling.**

**⚠ WARNING:** Some dust contains chemicals known to the State of California to cause cancer, birth defects or other reproductive harm such as asbestos and lead in lead based paint.

**⚠ WARNING:** The engine exhaust from this product contains chemicals known to the State of California to cause cancer, birth defects or other reproductive harm.

## SAVE THESE INSTRUCTIONS



### ⚠ DANGER: RISK OF EXPLOSION OR FIRE

#### WHAT CAN HAPPEN

- Spilled gasoline and it's vapors can become ignited from cigarette sparks, electrical arcing, exhaust gases and hot engine components such as the muffler.
- Heat will expand fuel in the tank which could result in spillage and possible fire or explosion.

#### HOW TO PREVENT IT

- Shut off engine and allow it to cool before adding fuel to the tank.
- Use care in filling tank to avoid spilling fuel. Move unit away from fueling area before starting engine.
- Keep maximum fuel level 1/2" (12.7 mm) below bottom of filler neck to allow for expansion.



### **⚠ DANGER: RISK TO BREATHING (ASPHYXIATION)**

#### **WHAT CAN HAPPEN**

- Breathing exhaust fumes will cause serious injury or death! Engine exhaust contains carbon monoxide, an odorless and deadly gas.
- The compressed air directly from your compressor is not safe for breathing. The air stream may contain carbon monoxide, toxic vapors, or solid particles from the air tank. Breathing these contaminants can cause serious injury or death.

#### **HOW TO PREVENT IT**

- Always operate air compressor outside in a clean, well ventilated area. Avoid enclosed areas such as garages, basements, storage sheds, which lack a steady exchange of air. Keep children, pets and others away from area of operation.
- Never use air obtained directly from the compressor to supply air for human consumption. The compressor is not equipped with suitable filters and in-line safety equipment for human consumption.

- **Combustible materials which come into contact with hot engine parts can become ignited.**
- Add fuel outdoors in a well ventilated area. Make sure there are no sources of ignition, such as cigarettes near refueling location.
- Operate compressor in a clean, dry, well ventilated area a minimum of 48" (1.22 m) from any building, object or wall. Do not operate unit indoors or in any confined area.
- Operate compressor in an open area away from dry brush, weeds or other combustible materials.
- Store fuel in an OSHA-approved container, in a secure location away from work area.
- Always remain in attendance with the product when it is operating.
- Improperly stored fuel could lead to accidental ignition. Fuel improperly secured could get into the hands of children or other unqualified persons.
- **Unattended operation of this product could result in personal injury or property damage. To reduce the risk of fire, do not allow the compressor to operate unattended.**

- Exposure to chemicals in dust created by power sanding, sawing, grinding, drilling and other construction activities may be harmful.
- Sprayed materials such as paint, paint solvents, paint remover, insecticides, weed killers, may contain harmful vapors and poisons.
- Work in an area with good cross ventilation. Read and follow the safety instructions provided on the label or safety data sheets for the materials you are spraying. Always use certified safety equipment: NIOSH/OSHA respiratory protection or properly fitting face mask designed for use with your specific application.



**▲ WARNING: RISK OF BURSTING**

**Air Tank:** On February 26, 2002, the U.S. Consumer Product Safety Commission published Release # 02-108 concerning air compressor tank safety:

Air compressor receiver tanks do not have an infinite life. Tank life is dependent upon several factors, some of which include operating conditions, ambient conditions, proper installations, field modifications, and the level of maintenance. The exact effect of these factors on air receiver life is difficult to predict.

If proper maintenance procedures are not followed, internal corrosion to the inner wall of the air receiver tank can cause the air tank to unexpectedly rupture allowing pressurized air to suddenly and forcefully escape, posing risk of injury to consumers. Your compressor air tank must be removed from service by the end of the year shown on your tank warning label.

The following conditions could lead to a weakening of the air tank, and result in a violent air tank explosion:

**WHAT CAN HAPPEN**

- Failure to properly drain condensed water from air tank, causing rust and thinning of the steel air tank.
- Modifications or attempted repairs to the air tank.
- Unauthorized modifications to the unloader valve, safety valve, or any other components which control air tank pressure.

**HOW TO PREVENT IT**

- Drain air tank daily or after each use. If air tank develops a leak, replace it immediately with a new air tank or replace the entire compressor.
- Never drill into, weld or make any modifications to the air tank or its attachments. Never attempt to repair a damaged or leaking air tank. Replace with a new air tank.
- The air tank is designed to withstand specific operating pressures. Never make adjustments or parts substitutions to alter the factory set operating pressures.

- Excessive vibration can weaken the air tank and cause rupture or explosion. Excessive vibration will occur if the compressor is not properly mounted or if engine operates above recommended RPM.
- Do not remove the stiffener bar connecting the compressor pump to the engine, except to adjust belt tension. Then securely tighten the stiffener bar bolts. This bar controls unit vibration.

#### Attachments & accessories:

- Exceeding the pressure rating of air tools, spray guns, air operated accessories, tires and other inflatables can cause them to explode or fly apart, and could result in serious injury.
- Follow the equipment manufacturers recommendation and never exceed the maximum allowable pressure rating of attachments. Never use compressor to inflate small low pressure objects such as children's toys, footballs, basketballs, etc.

#### Tires:

- Over inflation of tires could result in serious injury and property damage.
- Use a tire pressure gauge to check the tires pressure before each use and while inflating tires; see the tire sidewall for the correct tire pressure.

**NOTE:** Air tanks, compressors and similar equipment used to inflate tires can fill small tires very rapidly. Adjust pressure regulator on air supply to no more than the rating of the tire pressure. Add air in small increments and frequently use the tire gauge to prevent over inflation.



### **⚠ WARNING: RISK FROM FLYING OBJECTS**

#### **WHAT CAN HAPPEN**

- The compressed air stream can cause soft tissue damage to exposed skin and can propel dirt, chips, loose particles and small objects at high speed, resulting in property damage or personal injury.

#### **HOW TO PREVENT IT**

- Always wear certified safety equipment: ANSI Z87.1 eye protection (CAN/CSA Z94.3) with side shields when using the compressor.
- Never point any nozzle or sprayer toward any part of the body or at other people or animals.
- Always turn the compressor off and bleed pressure from the air hose and air tank before attempting maintenance, attaching tools or accessories.



### **⚠ WARNING: RISK OF HOT SURFACES**

#### **WHAT CAN HAPPEN**

- Touching exposed metal such as the compressor head, engine head, engine exhaust or outlet tubes, can result in serious burns.

#### **HOW TO PREVENT IT**

- Never touch any exposed metal parts on compressor during or immediately after operation. Compressor will remain hot for several minutes after operation
- Do not reach around protective shrouds or attempt maintenance until unit has been allowed to cool.



### **⚠ WARNING: RISK FROM MOVING PARTS**

#### **WHAT CAN HAPPEN**

- The engine can start accidentally if the flywheel is turned by hand or moved by pulling on the starter rope.

#### **HOW TO PREVENT IT**

- Always disconnect the spark plug and bleed pressure from the air tank before performing maintenance.



- Moving parts such as the pulley, flywheel, and belt can cause serious injury if they come into contact with you or your clothing.
- Never operate the compressor with guards or covers which are damaged or removed.
- Keep your hair, clothing and gloves away from moving parts. Loose clothes, jewelry or long hair can be caught in moving parts.
- Air vents may cover moving parts and should be avoided as well.
- Any repairs required on this product should be performed by a DEWALT factory service center or a DEWALT authorized service center.
- Attempting to operate compressor with damaged or missing parts or attempting to repair compressor with protective shrouds removed can expose you to moving parts and can result in serious injury.



### **⚠ WARNING: RISK OF UNSAFE OPERATION**

#### **WHAT CAN HAPPEN**

- Unsafe operation of your air compressor could lead to serious injury or death to you or others.

#### **HOW TO PREVENT IT**

- Review and understand all instructions and warnings in this manual.
- Become familiar with the operation and controls of the air compressor.
- Keep operating area clear of all persons, pets, and obstacles.
- Keep children away from the air compressor at all times.
- Do not operate the product when fatigued or under the influence of alcohol or drugs. Stay alert at all times.
- Never defeat the safety features of this product.
- Equip area of operation with a fire extinguisher.
- Do not operate machine with missing, broken, or unauthorized parts.
- Never stand on the compressor.



**⚠️ WARNING: RISK FROM NOISE**

**WHAT CAN HAPPEN**

- Under some conditions and duration of use, noise from this product may contribute to hearing loss.

**HOW TO PREVENT IT**

- Always wear certified safety equipment: ANSI S12.6 (S3.19) hearing protection.



**⚠️ WARNING: RISK OF INJURY FROM LIFTING**

**WHAT CAN HAPPEN**

- Serious injury can result from attempting to lift too heavy an object.

**HOW TO PREVENT IT**

- The compressor is too heavy to be lifted by one person. Obtain assistance from others before lifting.



**⚠️ WARNING: RISK OF INJURY OR PROPERTY DAMAGE WHEN TRANSPORTING OR STORING**

**WHAT CAN HAPPEN**

- Oil can leak or spill and could result in fire or breathing hazard; serious injury or death can result. Oil leaks will damage carpet, paint or other surfaces in vehicles or trailers.

**HOW TO PREVENT IT**

- Always place compressor on a protective mat when transporting to protect against damage to vehicle from leaks. Remove compressor from vehicle immediately upon arrival at your destination. Always keep compressor level and never lie on its side.

**SAVE THESE INSTRUCTIONS  
FOR FUTURE USE**

## FEATURES

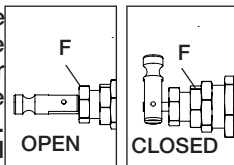
### UNLOADER VALVE

When the maximum air tank pressure is obtained, the unloader valve (H) will blow-off. This will cause the compressor to exhaust the air to the atmosphere and not the tank. The valve is preset by the manufacturer and must not be removed or modified in any way.

**Manual Lock:** The manual lock allows you to manually unload the compressor with air pressure in the air tank. To operate the manual lock:

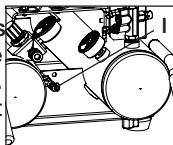
Rotate the manual lock unloader lever to the **open** position to prevent air tank pressure buildup. Rotate manual lock unloader lever to the **closed** position after starting the engine to allow air tank pressure to build.

**NOTE:** Air will not build in tank when manual lock unloader lever in the **open** position.



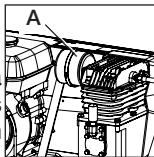
### SAFETY VALVE

This valve (I) is designed to prevent system failures by relieving pressure from the system when the compressed air reaches a predetermined level. The valve is preset by the manufacturer and must not be removed or modified in any way.



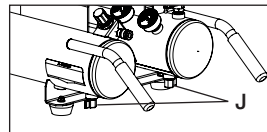
### AIR INTAKE FILTER

The filter (A) is designed to clean air entering the pump. To ensure the pump continually receives a clean, cool, and dry air supply the filter must always be clean and the filter intake must be free from obstructions.



### AIR TANK DRAIN VALVES

The drain valve (J) is used to remove moisture from the air tank after the air compressor is shut off.

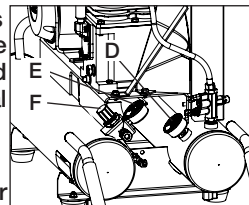


### AIR TANK PRESSURE GAUGE

The air tank pressure gauge (D) indicates air pressure in the air tank.

### REGULATED PRESSURE GAUGE

The regulated pressure gauge (E) indicates the air pressure available at the outlet side of the regulator. This pressure is controlled by the regulator and is always less or equal to the air tank pressure.



### REGULATOR

The regulator knob (F) controls the air pressure coming from the air tank.

#### To Adjust Regulator:

1. Pull regulator knob (F) out to unlock.
2. Turn knob clockwise to increase regulated pressure and counterclockwise to decrease regulated pressure.
3. When desired pressure is shown on the regulated pressure gauge push knob in to lock.

**⚠WARNING:** Risk of Bursting. Too much air pressure causes a hazardous risk of bursting. Check the manufacturer's maximum pressure rating for air tools and accessories. The regulator outlet pressure must never exceed the maximum pressure rating.

### THROTTLE CONTROL

When maximum air tank pressure is reached and the unloader valve vents air, it activates the throttle control on the engine.

This gas saving feature holds the engine at a factory-set idling speed until air pressure in the air tank drops to reset pressure. The unloader valve then reactivates the throttle control and accelerates the engine to full throttle.

### LOW OIL SHUT DOWN SENSORS

The air compressor engine is equipped with low oil shutdown sensors. These are safety devices designed to protect your engine from damage in the event the oil level in the crankcase is below minimum.

If the oil in engine gets low while the air compressor is running it will automatically shut down the engine and will not restart until oil is added to the engine. If the oil is low before start-up, the engine will not start until oil is added.

**NOTE:** The low oil shutdown sensors are very sensitive. You must fill the engine to the full mark on the dipstick to inactivate this safety device.

## INSTALLATION

### Assembly (Fig. 1)

#### INSTALLING HOSES

**⚠WARNING:** Risk of unsafe operation. Firmly grasp hose in hand when installing or disconnecting to prevent hose whip.

1. Ensure regulated pressure gauge reads 0 psi.
2. Apply sealant tape to hose threads.
3. Assemble hose to air outlet (G).

**NOTICE:** Do not assemble splitters directly to the air outlet (G).

**NOTE:** Assembling quick connect bodies to air outlet (G) and quick connect plugs to hose ends make connecting and disconnecting hoses simple and easy. Quick connect bodies

and plugs are available for purchase from your local dealer or authorized service center.

#### DISCONNECTING HOSES

**⚠WARNING:** Risk of unsafe operation. Firmly grasp hose in hand when installing or disconnecting to prevent hose whip.

1. Ensure regulated pressure gauge reads 0 psi.
2. Remove hose(s) from air outlet(s) (G).

### Lubrication and Oil

#### ENGINE

1. The engine was filled **WITH** oil at the manufacturer. Check engine oil level before operating unit. If necessary, fill engine to the appropriate level with recommended oil, see engine's instruction manual supplied by engine manufacturer for correct procedure.
2. Add fuel to engine. See engine's instruction manual supplied by engine manufacturer for correct procedure.

**⚠WARNING:** Risk of explosion or fire. Gasoline vapor is highly flammable. Refuel outdoors preferably, or only in well-ventilated areas. Do not refuel or check gasoline level while the engine is running. Do not store, spill, or use gasoline near an open flame, a source of sparks (such as welding), or near operating electrical equipment.

#### AIR COMPRESSOR

The air compressor pump was filled **WITH** oil at the manufacturer. Check air compressor pump oil level before operating unit. See **Compressor Pump Oil** under *Maintenance*.

### Compatibility

Air tools and accessories that are run off the compressor must be compatible with petroleum based products. If you suspect

that a material is not compatible with petroleum products, an air line filter for removal of moisture and oil vapor in compressed air is required.

**NOTICE:** Always use an air line filter to remove moisture and oil vapor when spraying paint.

### Location

**▲ DANGER:** Risk of breathing. Exhaust from the gasoline engine contains deadly carbon monoxide, which is odorless and toxic. Operate engine only in well ventilated areas.

**NOTICE:** Risk of property damage. In order to avoid damaging the air compressor, do not allow the unit to be tilted more than 10° when operating.

Place air compressor at least 4 feet (1.2 m) away from obstacles that may prevent proper ventilation. Keep unit away from areas that have dirt, vapor and volatile fumes in the atmosphere which may clog and gum up the intake filter and valves, causing inefficient operation.

### HUMID AREAS

In frequently humid areas, moisture may form in the pump and produce sludge in the oil, causing running parts to wear out prematurely. Excessive moisture is especially likely to occur if the unit is located in an unheated area that is subject to large temperature changes. Two signs of excessive humidity are external condensation on the pump when it cools down and a “milky” appearance in compressor oil. You may be able to prevent moisture from forming in the pump by increasing ventilation or operating for longer intervals.

### NOISE CONSIDERATIONS

Consult local officials for information regarding acceptable noise levels in your area. To reduce excessive noise, use vibration

mounts or silencers, relocate the unit or baffle walls. Contact a DeWALT service center or call 1-888-895-4549 for assistance.

### TRANSPORTING

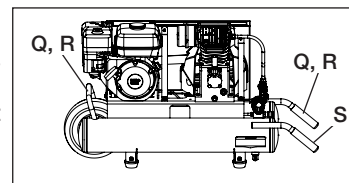
**▲ WARNING:** Risk injury from lifting. Unit weighs more than 168 lbs. (76.2 kg) Do not move or lift without assistance.

**NOTICE:** Risk of property damage. The wheels and handle do not provide adequate clearance, stability or support for pulling the unit up and down stairs or steps. The unit must be lifted, or pushed up a ramp.

**NOTICE:** Risk of property damage. Place engine fuel valve lever (O) in the OFF position before moving or transporting unit.

When transporting the

compressor in a vehicle, trailer, etc. ensure that the air tank is drained and the unit is secured and placed on a protective mat on a flat horizontal surface. **DO NOT** store in a standing position.



**NOTE:** Use recommended tie down points (Q) when transporting. Use care when driving so to avoid tipping the unit over in the vehicle. Damage can occur to the unit or surrounding items if unit is tipped. Use a ramp if loading or unloading the unit from a height of more than 12" (30.5 cm).

### LIFTING

Always lift from the recommended lift points (R).

**▲ WARNING:** Risk injury from lifting. Unit weighs more than 168 lbs. (76.2 kg) Do not move or lift without assistance.

**NOTICE:** Risk of property damage. Place engine fuel valve lever (O) in the OFF position before moving or transporting unit.

## MOVING

1. Grasp handle (S) of compressor, and lift compressor high enough so unit can be rolled on the front tire(s).

**⚠WARNING:** Risk of unsafe operation. Ensure proper footing and use caution when rolling compressor so that unit does not tip or cause loss of balance.

**NOTICE:** Risk of property damage. Place engine fuel valve lever (O) in the OFF position before moving or transporting unit.

2. When location is reached slowly lower rear of compressor to ground. Always store compressor in a horizontal position. **DO NOT** store in a standing position.

**NOTE:** Should the unit tip over, hard starting and smoking will occur due to oil spillage.

## PREPARATION FOR USE

### Pre-Start Checklist (Fig. 1)

1. Ensure engine ON/OFF switch (C) is in the OFF position.
2. Ensure air tank is drained, see **Draining Air Tank** under *Maintenance*.
3. Ensure the drain valve (J) is closed.
4. Ensure safety valve (I) is functioning properly, see **Checking Safety Valve** under *Maintenance*.
5. Check pump oil level, see **Compressor Pump Oil** under *Maintenance*.

**NOTICE:** Do not operate without oil or with inadequate oil. DEWALT is not responsible for compressor failure caused by inadequate oil.

6. Check engine's oil and fuel level, see engine's instruction manual for correct procedures.
7. Visually inspect drive belt. Replace belt if frayed, cracked, or worn. **NOTE:** Outer belt cover must be removed to inspect drive belt.

8. Ensure all guards, covers, and labels are in place, legible (for labels) and securely mounted. Do not use compressor until all items have been verified.

### Initial Set-up (Fig. 1)

**⚠WARNING:** Do not operate this unit until you read and understand this instruction manual and the engine instruction manual for safety, operation and maintenance instructions.

### BREAK-IN PROCEDURE

**NOTICE:** Risk of property damage. Serious damage may result if the following break-in instructions are not closely followed.

This procedure is required:

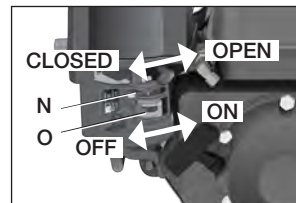
- Before the air compressor is used for the first time.
- When the unloader valve has been replaced.
- When the compressor pump has been replaced.

The procedure:

1. Follow **Pre-Start Checklist** under *Preparation for Use*.
2. Rotate the unloader's manual lock to the open position to prevent air tank pressure buildup.
3. Open the pressure regulator. Pull regulator knob (F) out and rotate clockwise until it stops.

**⚠WARNING:** Do not operate this unit until you read and understand the engine instruction's manual for safety, operation and maintenance instructions.

4. Prepare engine for first time use, see engine's instruction manual for correct procedure.
5. Turn the engine ON/OFF switch (C) to the ON position.
6. Place the fuel valve lever (O) in the ON position.



7. If the engine is cold, move the choke (N) to the CLOSED position as shown. If the engine is hot, move the choke to the OPEN position.

**⚠WARNING:** Risk of unsafe operation. Pull starter grip slowly until resistance is felt. Then pull starter grip (P) rapidly to avoid kickback and prevent hand or arm injury.

**NOTICE:** Do not allow the starter grip to snap back. Return it gently by hand.

**NOTE:** If the engine does not start, check the oil level and add oil as needed.

**NOTE:** To ensure maximum oil lubrication, place the unit on a level surface.

8. As the engine warms up, move the choke to the OPEN position.
9. Run the air compressor for **30 minutes** to seat the rings and lubricate all the internal surfaces. Ensure there is no pressure build up in the air tank by observing the reading on the air tank pressure gauge.
10. Rotate the manual lock on the unloader valve into the closed position so the air tank pressure can build.
11. Close the pressure regulator. Rotate the regulator knob (F) counterclockwise to its built-in stop and push knob in to lock in place. This will allow air to build pressure in the air tank.
12. Compressed air will be available from the hose air outlet until it is used up or bled off.

## OPERATING PROCEDURES

### Start-up (Fig. 1)

1. Follow Pre-Start Checklist under *Preparation for Use*.

2. Pull out and turn regulator knob (F) counterclockwise until fully closed. Push in to lock. Regulated pressure gauge should read 0 psi.

3. Rotate the manual lock unloader lever to the open position to assist with start up.

4. Turn the engine ON/OFF switch (C) to the ON position.

5. Place the fuel valve lever (O) in the ON position.

6. If the engine is cold, move the choke (N) to the CLOSED position as shown. If the engine is hot, move the choke to the OPEN position.

**⚠WARNING:** Risk of unsafe operation. Pull starter grip slowly until resistance is felt. Then pull starter grip (P) rapidly to avoid kickback and prevent hand or arm injury.

**NOTICE:** Do not allow the starter grip to snap back. Return it gently by hand.

**NOTE:** If the engine does not start, check the oil level and add oil as needed.

**NOTE:** To ensure maximum oil lubrication, place the unit on a level surface.

7. As the engine warms up, move the choke to the OPEN position.

8. Rotate manual lock unloader lever to the closed position to allow air tank pressure to build. **NOTE:** Pump will not operate with the manual lock unloader lever in the open position.

9. Allow compressor to pump up to **blow off** pressure.

**⚠WARNING:** Risk of unsafe operation. If any unusual noise or vibration is noticed, stop the compressor and refer to the troubleshooting section.

**NOTE:** The air compressor pump is capable of running continuously.

To prolong the air compressor's life, it is recommended to run at high throttle 50-75% of the run time and idle for 25% of the run time  
10. Attach hose and accessory.

**▲WARNING:** Risk of unsafe operation. Firmly grasp air hose in hand when installing or disconnecting to prevent hose whip.

**▲WARNING:** Risk of unsafe operation. Do not use damaged or worn accessories.

**NOTICE:** Risk of property damages. Compressed air from the unit may contain water condensation and oil mist. Do not spray unfiltered air at an item that could be damaged by moisture. Some air operated tools or devices may require filtered air. Read the instructions for the air tool or device.

11. Adjust regulator (F) to desired setting. See **Regulator** under **Features**.

### Shut-down

1. Place the engine ON/OFF switch (C) to the OFF Position.
2. Place the fuel valve lever (O) in the OFF position.

**NOTE:** If finished using compressor, follow Steps 3–7.

3. Turn regulator knob (F) counterclockwise until fully closed. Ensure regulated pressure gauge reads 0 psi.
4. Remove hose and accessory.
5. Drain the air tank. See **Draining Air Tank** under **Maintenance**.

**NOTICE:** Risk of property damage. Place engine fuel valve lever (O) in the OFF position before moving or transporting unit.

**▲WARNING:** Risk of bursting. Drain air tank daily. Water will condense in air tank. If not drained, water will corrode and weaken the air tank causing a risk of air tank rupture.

6. Allow the compressor to cool down.
7. Wipe air compressor clean and store in a safe, non freezing area.

## MAINTENANCE

**▲WARNING:**The following procedures must be followed when maintenance or service is performed on the air compressor.

1. Ensure engine ON/OFF switch (C) is in the OFF position.
2. Disconnect spark plug wire.
3. Drain air tank.
4. Allow air compressor to cool down before starting service

**NOTE:** All compressed air systems contain maintenance parts (e.g. oil, filters, separators) that are periodically replaced. These used parts may contain substances that are regulated and must be disposed of in accordance with local, state, and federal laws and regulations.

**NOTE:** Take note of the positions and locations of parts during disassembly to make reassembly easier.

**NOTE:** Any service operations not included in this section should be performed by a DEWALT factory service center or a DEWALT authorized service center.

### Maintenance Chart

Procedure	Daily	Weekly	Monthly	1 year or 200 Hours	See tank warning label
Check safety valve	X				
Inspect air filter		X +			
Drain air tank	X				
Check pump oil level	X				
Change pump oil				X+++	
Oil leak inspection	X				



Inspect drive belt	X				
Check drive belt tension			X		
Check pulley/flywheel alignment				X	
Check for unusual noise/vibration	X				
Check for air leaks	X*				
Clean compressor exterior		X			
Remove tank from service					X <sup>++</sup>
Engine	See engine instruction manual.				
* To check for air leaks apply a solution of soapy water around joints. While compressor is pumping to pressure and after pressure cuts out, look for air bubbles to form.					
**The pump oil must be changed after the first 20 hours of operation. Thereafter, when using DEWALT synthetic compressor oil, change oil every 200 hours of operation or once a year, whichever comes first.					
+ Perform more frequent in dusty or humid conditions.					
++ For more information, call 1-888-895-4549					

### Checking Safety Valve (Fig. 1)

**⚠WARNING:** Hot surfaces. Risk of burn. Aftercooler, pump head, and surrounding parts are very hot, do not touch (see the Hot Surfaces identified in Fig. 2). Allow compressor to cool prior to servicing.

**⚠WARNING:** Risk of bursting. If the safety valve does not work properly, over-pressurization may occur, causing air tank rupture or an explosion.

**⚠WARNING:** Risk from flying objects. Always wear certified safety equipment: ANSI Z87.1 eye protection (CAN/CSA Z94.3) with side shields when using the compressor.

Before starting compressor, pull the ring on the safety valve to

make sure that the safety valve operates freely. If the valve is stuck or does not operate smoothly, it must be replaced with the same type of valve.

### Checking Air Filter Element (Fig. 1)

**⚠WARNING:** Hot surfaces. Risk of burn. Aftercooler, pump head, and surrounding parts are very hot, do not touch (see the Hot Surfaces identified in Fig. 2). Allow compressor to cool prior to servicing.

1. Ensure engine ON/OFF switch (C) is in the OFF position.
2. Allow unit to cool.
3. Remove filter (A) top from filter base by turning filter counter-clockwise about 5 degrees.
4. Separate filter top from base.
5. Remove element from filter base.
6. If element needs cleaning, blow out with air. Replace if needed. Purchase replacement parts from your local dealer or authorized service center. Always use identical replacement parts.
7. Place element back in filter base.
8. Reconnect filter top to filter base. While pushing in, rotate clockwise 5 degrees.

**NOTICE:** Risk of unsafe operation. Do not operate without air inlet filter.

### Draining Air Tank (Fig. 1)

**⚠WARNING:** Risk of unsafe operation. Risk from noise. Air tanks contain high pressure air. Keep face and other body parts away from outlet of drain. Use eye protection [ANSI Z87.1 (CAN/CSA Z94.3)] when draining as debris can be kicked up into face.

**⚠WARNING:** Risk from noise. Use ear protection [ANSI S12.6 (S3.19)] as air flow noise is loud when draining.

**NOTE:** All compressed air systems generate condensate that accumulates in any drain point (e.g., tanks, filter, aftercoolers, dryers). This condensate contains lubricating oil and/or substances which may be regulated and must be disposed of in accordance with local, state, and federal laws and regulations.

1. Ensure engine ON/OFF switch (C) is in the OFF position.
2. Place a suitable container under the drain valve to catch discharge.
3. Grasp black lever on drain valve.

**⚠WARNING:** Risk of bursting. Drain air tank daily. Water will condense in air tank. If not drained, water will corrode and weaken the air tank causing a risk of air tank rupture.

**NOTICE:** Risk of property damage. Drain water from air tank may contain oil and rust, which can cause stains.

4. Slowly rotate lever to gradually bleed air from air tank.
5. When air tank pressure gauge reads 10 psi, rotate valve to the fully open position.
6. Close drain valve when finished.

### **Compressor Pump Oil (refer to Fig. 4)**

**⚠WARNING:** Hot surfaces. Risk of burn. Tubes, pump head, and surrounding parts are very hot, do not touch (see the Hot Surfaces identified in Fig. 2). Allow compressor to cool prior to servicing.

**NOTICE:** Risk of property damage. Use air compressor oil only. Multi-weight automotive engine oils like 10W30 should not be used in air compressors. They leave carbon deposits on critical components, thus reducing performance and compressor life.

**NOTE:** Use synthetic blend non-detergent air compressor oil.

**NOTE:** Crankcase oil capacity is approximately 16 fluid ounces (473 ml).

### **Checking**

1. Ensure engine START/RUN/OFF switch (C) is in the OFF Position.
2. The oil level should be to the middle of the sight glass (V).
3. If needed remove oil fill plug (K) and slowly add oil until it reaches the middle of the sight glass.

### **Changing**

**⚠WARNING:** Hot surfaces. Risk of burn. Tubes, pump head, and surrounding parts are very hot, do not touch (see the Hot Surfaces identified in Fig. 2). Allow compressor to cool prior to servicing.

**⚠WARNING:** Drain tank to release air pressure before removing the oil fill cap or oil drain plug.

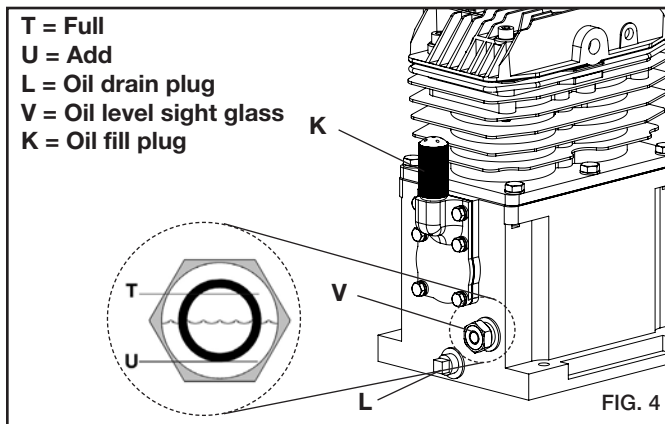
1. Ensure engine START/RUN/OFF switch (C) is in the OFF position.
2. Allow the unit to cool.
3. Disconnect spark plug wire.
4. Drain air tank.
5. Remove the oil fill plug (K).
6. Remove the oil drain plug (L) and drain oil into a suitable container.
7. Replace the oil drain plug (L) and tighten securely
8. Slowly add compressor oil until it reaches the middle of the sight glass (V). **NOTE:** When filling the crankcase, the oil flows very slowly into the pump. If the oil is added too quickly, it will overflow and appear to be full.

**⚠CAUTION:** Overfilling with oil will cause premature compressor failure. Do not overfill.

9. Replace oil fill plug (K) and tighten securely.

10. Reconnect spark plug wire.

**NOTE:** Pump oil contains substances that are regulated and must be disposed of in accordance with local, state and federal laws and regulations.



### Checking Belt Tension (Fig. 1)

**⚠WARNING:** Hot surfaces. Risk of burn. Aftercooler, pump head, and surrounding parts are very hot, do not touch (see the Hot Surfaces identified in Fig. 2). Allow compressor to cool prior to servicing.

1. Ensure engine ON/OFF switch (C) is in the OFF position.
2. Allow the unit to cool.
3. Disconnect spark plug wire.
4. Drain air tank.
5. Remove belt guard.

6. Measure belt tension. Proper tension is achieved when a three (3) pound (1.36 kg) weight or equivalent finger pressure applied midway between the motor pulley and compressor flywheel causes a 1/4" (6.35 mm) deflection of the belt. If adjustment is needed see **Adjusting Belt Tension** under *Maintenance*.

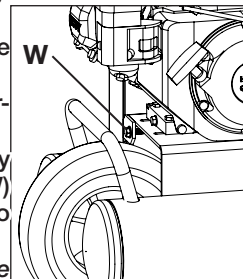
7. Replace belt guard.

8. Reconnect spark plug wire.

### Adjusting Belt Tension

**⚠WARNING:** Hot surfaces. Risk of burn. Aftercooler, pump head and surrounding parts are very hot, do not touch (see the Hot Surfaces identified in Fig. 2). Allow compressor to cool prior to servicing.

1. Follow procedures 1-6 in **Checking Belt Tension** under *Maintenance*.
2. Scribe a mark at the base of the engine on the deck to be used as a reference.
3. Loosen but do not remove four engine mounting nuts.
4. Loosen but do not remove bolt securing stiffener bracket to engine.
5. Move the engine to the new mark by turning the belt tensioning bolt (W) clockwise until the engine is moved to the desired position.



**⚠WARNING:** Risk of moving parts. Use caution when rolling belt onto flywheel, fingers can get caught between the belt and flywheel.

6. Check the belt tension again. See Step 6 in **Checking Belt Tension** under *Maintenance*.
7. When tension is correct, torque four engine mounting nuts

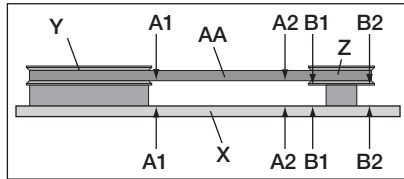
(engine torque to 10–20 ft.-lbs./13.5–27.1 Nm), stiffener bracket bolt (Torque to 10–20 ft.-lbs./13.5–27.1 Nm).

8. Replace belt guard.
9. Reconnect spark plug wire.

### **Pulley and Flywheel Alignment**

The air compressor flywheel and engine pulley must be in-line (in the same plane) within 1/16" (1.6 mm) to ensure belt retention within flywheel belt grooves. To check alignment:

1. Ensure engine ON/OFF switch (C) is in the OFF Position.
2. Allow the unit to cool.
3. Disconnect spark plug wire.
4. Drain air tank.
5. Remove belt guard.
6. Place a straightedge (X) against the outside of the flywheel (Y) and the engine drive pulley (Z).
7. Measure the distance between the edge of the belt (AA) and the straightedge at points A1 and A2 in Figure. The difference between measurements should be no more than 1/16" (1.6 mm).
8. If the difference is greater than 1/16" (1.6 mm), loosen the



setscrew holding the engine drive pulley to the shaft and adjust the pulley's position on the shaft until the A1 and A2 measurements are within 1/16" (1.6 mm) of each other.

9. Tighten the engine drive pulley setscrew. Torque to 145–180 in.-lbs. (16.4 – 20.3 Nm).
10. Visually inspect the engine drive pulley to verify that it is perpendicular to the drive motor shaft. Points B1 and B2 of Figure should appear to be equal. If they are not, loosen the setscrew of the engine drive pulley and equalize B1 and B2, using care not to disturb the belt alignment performed in Step 8.
11. Retighten the engine drive pulley setscrew. Torque to 145–180 in.-lbs. (16.4–20.3 Nm).
12. Reinstall belt guard.
13. Reconnect spark plug wire.

### **Air Compressor Pump Intake and Exhaust Valves**

Once a year have a Trained Service Technician check the air compressor pump intake and exhaust valves.

### **Inspect Air Lines and Fittings for Leaks**

1. Ensure engine START/RUN/OFF switch (C) is in the OFF Position.
2. Allow the unit to cool.
3. Disconnect spark plug wire.
4. Apply a soap solution to all air line fittings and connections/piping.
5. Correct any leaks found.
6. Reconnect spark plug wire.

**IMPORTANT:** Even minor leaks can cause the air compressor

to overwork, resulting in premature breakdown or inadequate performance.

### **Air compressor Head Bolts - Torquing**

The air compressor pump head bolts should be kept properly torqued. Check the torques of the head bolts after the first five hours of operation. Torque to 32-37 ft.-lbs. (43.4-50.2 Nm).

### **Additional Service**

Disassembly or service of the air compressor beyond what is covered in this manual is not recommended. If additional service is required, contact your nearest Authorized Warranty Service Center.

### **Accessories**

Recommended accessories for use with your tool are available for purchase from your local dealer or authorized service center. If you need assistance in locating any accessory for your tool, please call 1-888-895-4549 or visit our website [www.dewalt.com](http://www.dewalt.com).

**▲ WARNING:** *The use of any other accessory not recommended for use with this tool could be hazardous. Use only accessories rated equal to or higher than the rating of the air compressor.*

### **Service Information**

Please have the following information available for all service calls:  
Model Number \_\_\_\_\_ Serial Number \_\_\_\_\_  
Date and Place of Purchase \_\_\_\_\_

### **Repairs**

To assure product SAFETY and RELIABILITY, repairs, maintenance and adjustment should be performed by a DEWALT factory service center, a DEWALT authorized service center or other qualified service personnel. Always use identical replacement parts.

## **Limited Warranty**

**DEWALT Industrial Tools** are warranted from date of purchase.

**2 Year** – Limited warranty on oil-lubricated air compressor pumps.

**1 Year** – Limited warranty on all other air compressor components. This warranty is not transferable to subsequent owners.

DEWALT will repair or replace, without charge, at DEWALT's option, any defects due to faulty materials or workmanship. For further detail of warranty coverage and warranty repair information, call 1-(888)-895-4549 or visit [dewalt.com](http://dewalt.com). This warranty does not apply to accessories or damage caused where repairs have been made or attempted by others. This warranty also does not apply to merchandise sold by DEWALT which has been manufactured by and identified as the product of another company, such as gasoline engines. Such manufacturer's warranty, if any, will apply. **ANY INCIDENTAL, INDIRECT OR CONSEQUENTIAL LOSS, DAMAGE OR EXPENSE THAT MAY RESULT FROM ANY DEFECT, FAILURE OR MALFUNCTION OF THE PRODUCT IS NOT COVERED BY THIS WARRANTY.** Some states do not allow the exclusion of limitation of incidental or consequential damages, so the above limitation or exclusion may not apply to you. **IMPLIED WARRANTIES, INCLUDING THOSE OF MERCHANTABILITY OR FITNESS FOR A PARTICULAR PURPOSE, ARE LIMITED TO ONE YEAR FROM THE DATE OF ORIGINAL PURCHASE.** Some states do not allow limitations on how long an implied warranty lasts, so the above limitations may not apply to you.

**What the Company Will Do:** (the company) will cover parts and labor to remedy substantial defects due to materials and workmanship during the first year of ownership, with the

exceptions noted below. Parts used in repair of whole goods or accessories are warranted for the balance of the original warranty period.

**What is not covered Under This Warranty?** Failures by the original retail purchaser to install, maintain, and operate said equipment in accordance with standard industry practices. Modifications to the product, or tampering with components, or failure to comply with the specific recommendations of the Company set forth in the owner's manual, will render this warranty null and void. The Company shall not be liable for any repairs, replacements, or adjustments to the equipment, or any costs for labor performed by the purchaser without the Company's prior written approval. The effects of corrosion, erosion, surrounding environmental conditions, cosmetic defects, and routine maintenance items, are specifically excluded from this warranty. Routine maintenance items such as: oil, lubricants, and air filters, as well as changing oil, air filters, belt tensioning, etc... fall under the owner's responsibility. Additional exclusions include: freight damage, failures resulting from neglect, accident, or abuse, induction motors when operated from a generator, oil leaks, air leaks, oil consumption, leaky fittings, hoses, petcocks, bleeder tubes, and transfer tubes.

- The following components are considered normal wear items and are not covered after the first year of ownership: Belts, sheaves, flywheels, check valves, pressure switches, air unloaders, throttle controls, electric motors, brushes, regulators, o-rings, pressure gauges, tubing, piping, fittings, fasteners, wheels, quick couplers, gaskets, seals, air filter housings, piston rings, connecting rods, and piston seals.
- Labor, service calls, and travel charges, are not covered

after the first year of ownership on stationary compressors (compressors without handles, or wheels). Repairs requiring overtime, weekend rates, or any other charges beyond the standard shop labor rate are not covered.

- Time required for orientation training for the service center to gain access to the product, or additional time due to inadequate egress.
- Damage caused by incorrect voltage, improperly wired, or failure to have a certified licensed electrician install the compressor, will render this warranty null and void.
- Damage caused from inadequate filter maintenance.
- Pump wear or valve damage caused by using oil not specified.
- Pump wear or damage caused by any oil contamination.
- Pump wear or valve damage caused by failure to follow proper maintenance guidelines.
- Operation below proper oil level or operation without oil.
- Gas Engines, if product is equipped with a gas engine, see engine manual for specific engine manufacturer's warranty coverage.

**Parts purchased separately:** The warranty for parts purchased separately such as: pumps, motors, etc., are as follows:

From Date of Purchase

- |                                |         |
|--------------------------------|---------|
| • All single & two stage pumps | 1 year  |
| • Electric motors              | 90 days |
| • Universal motor/pump         | 30 days |
| • All other parts              | 30 days |

- No return authorization will be issued for electrical components once items are installed.

**How do You Get Service?** In order to be eligible for service under this warranty you must be the original retail purchaser, and provide proof of purchase from one of the Company's dealers, distributors, or retail outlet stores. Portable compressors or components must be delivered, or shipped, to the nearest Authorized Service Center. All associated freight costs and travel charges must be borne by the consumer. Please call our toll free number 1-888-895-4549 for assistance.

THIS WARRANTY GIVES YOU SPECIFIC LEGAL RIGHTS, AND YOU MAY ALSO HAVE OTHER RIGHTS WHICH VARY FROM STATE TO STATE.

THE COMPANY MAKES NO OTHER WARRANTY OR REPRESENTATION OF ANY KIND WHATSOEVER, EXPRESSED OR IMPLIED, EXCEPT THAT OF TITLE. ALL IMPLIED WARRANTIES, INCLUDING ANY WARRANTY OF MERCHANTABILITY AND FITNESS FOR PARTICULAR PURPOSE ARE HEREBY DISCLAIMED. LIABILITY FOR CONSEQUENTIAL AND INCIDENTAL DAMAGES UNDER ANY AND ALL WARRANTIES, OTHER CONTRACTS, NEGLIGENCE, OR OTHER TORTS IS EXCLUDED TO THE EXTENT EXCLUSION IS PERMITTED BY LAW.

## GLOSSARY

**CFM:** Cubic feet per minute.

**SCFM:** Standard cubic feet per minute; a unit of measure of air delivery.

**PSI:** Pounds per square inch; a unit of measure of pressure.

**Code Certification:** Products that bear one or more of the following marks: UL<sup>®</sup>, CUL, ETL<sup>®</sup>\*, CETL, have been evaluated by OSHA certified independent safety laboratories and meet the applicable Standards for Safety.

\* UL<sup>®</sup> is a registered trademark of Underwriters Laboratories and ETL<sup>®</sup> is a registered trademark of Electrical Testing Laboratories.

**California Code:** Unit may comply with California Code 462 (I) (2)/(M) (2). Specification/model label is on the side of the air tank on units that comply with California Code.

**Unloader Blow-Off Pressure:** All models are continuous running units controlled by air tank pressure. When the maximum air tank pressure is obtained, the unloader valve will blow-off. This will cause the compressor to exhaust the air to the atmosphere and not the tank. This decreases the load on the engine and allows it to run at a near no-load condition.

**Unloader Reset Pressure:** When the air tank pressure drops to a predetermined point, the unloader valve closes. The air tank pressure will now increase until it reaches the unloader blow-off pressure.

## **Troubleshooting Guide**

This section provides a list of the more frequently encountered malfunctions, their causes and corrective actions. The operator or maintenance personnel can perform some corrective actions, and others may require the assistance of a qualified DEWALT technician or your dealer.

<b>Problem</b>	<b>Code</b>
Excessive air tank pressure-safety valve pops off .....	1
Air leaks .....	2
Continuous air leak at unloader valve .....	3
Air leaks in air tank or at air tank welds .....	4
Air leaks between head and valve plate .....	5
Air leaks from safety valve .....	6
Compressor is not supplying enough air to operate accessories .....	2, 7, 8, 9, 10, 12, 13
Restricted air intake .....	12
Excessive vibration .....	14, 15
<b>Problem</b> .....	<b>Code</b>
Knocking Noise .....	6, 13, 14, 15, 16, 17, 18, 19
Excessive belt wear .....	13, 14, 16, 19, 20
Squealing sound .....	13
Engine will not run .....	21, 22, 23, 34
Pressure reading on the regulated pressure gauge drops when an accessory is used .....	24
Regulator knob has continuous air leak .....	25
Regulator will not shut off air outlet .....	25
Moisture in pump crankcase .....	2, 5, 11, 26, 27, 28, 29, 30, 31
Pump will not run .....	32
Air tank pressure will not build .....	32, 33



## Troubleshooting Codes

CODE	POSSIBLE CAUSE	POSSIBLE SOLUTION
1	Unloader valve does not release pressure when air tank reaches <b>blow-off</b> pressure	Unloader valve must be replaced. Contact a DeWALT factory service center or a DeWALT authorized service center.
2	Fittings are not tight	Tighten fittings where air can be heard escaping. Check fittings with soapy water solution. <b>DO NOT OVERTIGHTEN.</b>
3	Defective unloader valve	Turn off engine, rotate manual lock unloader lever to the closed perpendicular position. If air leaks out of air tank through unloader valve, replace unloader valve.
4	Defective air tank	Air tank must be replaced. Do not repair the leak. <b>⚠WARNING: Risk of bursting. Do not drill into, weld or otherwise modify air tank or it will weaken. The air tank can rupture or explode.</b>
5	Leaking seals	Contact a DeWALT factory service center or a DeWALT authorized service center.
6	Defective safety valve	Operate safety valve manually by pulling on ring. If valve still leaks, it must be replaced.
7	Prolonged excessive use of air	Decrease amount of air usage.
8	Compressor is not large enough for accessory	Check the accessory air requirement. If it is higher than the SCFM or pressure supplied by your air compressor, a larger compressor is needed to operate accessory.
9	Hole in air hose	Check and replace air hose, if required.
10	Unloader valve restricted	Remove, clean or replace.
11	Unit operating in damp or humid conditions	Move unit to a dry well ventilated area.
12	Restricted air intake filter	Clean or replace air intake filter.

CODE	POSSIBLE CAUSE	POSSIBLE SOLUTION
13	Loose belt	Check belt tension, see <b>Adjusting Belt Tension</b> under <i>Maintenance</i> .
14	Engine mounting bolts are loose	Tighten mounting screws. Torque engine mounting bolts to 10–20 ft.-lbs. (13.5–27.1 Nm). <b>⚠WARNING:</b> Risk of bursting. Excessive vibration could weaken the air tank and cause it to rupture or explode. Mounting screws must be kept tightened.
15	Pump stiffener bracket bolt is loose	Check bolt and tighten if required. Torque pump stiffener bracket bolt to 10–20 ft.-lbs. (13.5–27.1 Nm). <b>⚠WARNING:</b> Risk of bursting. Excessive vibration could weaken the air tank and cause it to rupture or explode. Stiffener bracket bolt must be kept tightened. Never operate the unit unless equipped with the stiffener bracket.
16	Loose pulley	Tighten pulley set screw, torque to 145–180 in.-lbs. (16.4–20.3 Nm).
17	Loose flywheel	Tighten flywheel screw, torque to 22–26 ft.-lbs. (29.8–35.3 Nm).
18	Carbon build-up in pump	Contact a DeWALT factory service center or a DeWALT authorized service center.
19	Belt too tight	Check belt tension, see <b>Adjusting Belt Tension</b> under <i>Maintenance</i> .
20	Pulley misalignment	See <b>Motor Pulley/Flywheel Alignment</b> under <i>Maintenance</i> .
21	Air tank pressure is too high	Open the regulator and reduce air tank pressure to less than 40 psi.
22	Engine problem	Contact a DeWALT factory service center or a DeWALT authorized service center.

CODE	POSSIBLE CAUSE	POSSIBLE SOLUTION
23	Engine or pump oil is low	Add DEWALT synthetic compressor oil to pump. See <b>Compressor Pump Oil</b> under <i>Maintenance</i> .
24	It is normal for some pressure drop to occur	If there is an excessive amount of pressure drop when the accessory is used, adjust the regulator as instructed in <b>Regulator</b> under <i>Features</i> . <b>NOTE:</b> Adjust the regulated pressure under flow conditions while accessory is being used.
25	Damaged regulator	Replace.
26	Detergent type oil being used in pump	Drain oil and refill pump with DEWALT synthetic compressor oil.
27	Extremely light duty cycles	Run unit for longer duty cycles. It is recommended to run at high throttle 50-75% of the run time and idle for 25% of the run time.
28	Piston rings damaged or worn	Contact a DEWALT factory service center or a DEWALT authorized service center.
29	Cylinder or piston damaged or worn	Contact a DEWALT factory service center or a DEWALT authorized service center.
30	Compressor cylinder finish worn	Contact a DEWALT factory service center or a DEWALT authorized service center.
31	Water in pump oil	Drain oil and refill pump with DEWALT synthetic compressor oil.
32	Manual lock unloader lever in open position	Rotate manual lock unloader lever to the closed perpendicular position.
33	Regulator open	Rotate the regulator knob counterclockwise to its built-in stop and push knob in to lock in place.
34	Engine fuel tank empty	Add gasoline, see engine's instruction manual for correct procedure.

**FREE WARNING LABEL REPLACEMENT:** If your warning labels become illegible or are missing, call 1-888-895-4549 for a free replacement.

<p><b>AVERTISSEMENT</b></p> <p>Avant le mise en service, lire et comprendre le manuel d'opération pour assurer le fonctionnement en toute sécurité. Pour obtenir un manuel de remplacement, écrire à: Compressor Service, 118 West Rock Street, Springfield, MA 01107</p> <p>Risque d'explosion en cas d'échappement. Les réservoirs d'air comprimé sont extrêmement dangereux. Remplissez le réservoir de gaz comprimé conformément aux instructions du fabricant. Ne laissez pas le réservoir de gaz comprimé se surchauffer. Ne laissez pas le réservoir de gaz comprimé se refroidir trop vite. Ne laissez pas le réservoir de gaz comprimé se refroidir trop vite. Ne laissez pas le réservoir de gaz comprimé se refroidir trop vite.</p> <p>Risque de blessure. Ne pas diriger le jet d'air vers l'opérateur. Conservez les pieds de la machine à distance et évitez de marcher sur les parties mobiles. Ne laissez pas les parties mobiles tourner. Ne laissez pas les parties mobiles tourner.</p> <p>Risque d'analyse par oxyde de carbone. L'opérateur doit être conscient des dangers de l'analyse par oxyde de carbone. L'opérateur doit être conscient des dangers de l'analyse par oxyde de carbone.</p>	<p><b>ADVERTENCIA</b></p> <p>Leer y comprender el manual de operación antes de poner en servicio la máquina. Para obtener un manual de reemplazo, escribir a: Compressor Service, 118 West Rock Street, Springfield, MA 01107</p> <p>Riesgo de explosión en caso de escape de aire. Los tanques de aire comprimido son extremadamente peligrosos. Rellenar el tanque de aire comprimido de acuerdo con las instrucciones del fabricante. No permita que el tanque de aire comprimido se sobrecaliente. No permita que el tanque de aire comprimido se enfríe demasiado rápido. No permita que el tanque de aire comprimido se enfríe demasiado rápido.</p> <p>Riesgo de lesiones. No dirigir el chorro de aire hacia el operador. Mantenga los pies alejados de la máquina y evite caminar sobre las partes móviles. No permita que las partes móviles giren. No permita que las partes móviles giren.</p> <p>Riesgo de análisis por óxido de carbono. El operador debe estar consciente de los peligros del análisis por óxido de carbono. El operador debe estar consciente de los peligros del análisis por óxido de carbono.</p>	<p><b>WARNING</b></p> <p>Read and understand operator manual for safe operation and maintenance. For replacement manual write to: Compressor Service, 118 West Rock Street, Springfield, MA 01107</p> <p>Risk of fire or explosion - Gasoline vapor is highly flammable. Refuel outdoors or in a well-ventilated area.</p> <p>DO NOT spray flammable liquid in a confined area or towards a hot surface. Spray area must be well-ventilated. DO NOT smoke while spraying or spray where spark or flame is present.</p> <p>Arching parts - Keep compressor at least 20 feet away from explosive vapors, such as when spraying with a spray gun.</p> <p>Risk of bursting - Do not adjust regulator to result in output pressure greater than marked maximum pressure of attachment. Units without a regulator use air-hauling parts rated at minimum 135 PSI (1 stage) or 200 PSI (2 stage).</p> <p>RUST WEAKENS TANK may cause explosion and severe or fatal injury/properly damage. Drain condensed water from tank after each use to reduce rusting.</p> <p>DO NOT weld on or repair tank - replace tank</p> <p>Risk of carbon monoxide poisoning - Engine produces deadly exhaust. DO NOT run compressor in enclosed area.</p> <p>Risk of injury-DO NOT direct air stream at body. DO NOT operate with supplied guards removed. Disconnect quickly and drain all air pressure from tank before servicing and after each use. DO NOT use compressed air for breathing. Wear eye protection.</p> <p>UNLOADER VALVE RUNNING</p> <p>CHECK OIL LEVEL in carryover before start (see and 10)</p>
---	--	--

<p><b>WARNING</b></p> <p><b>ADVERTISSEMENT</b></p> <p><b>ADVERTENCIA</b></p>	<p><b>HOT SURFACES:</b> To reduce the risk of burns - Do not touch exposed metal surfaces.</p> <p><b>SURFACES CHAUDES:</b> Pour réduire le risque de brûlures - Ne pas toucher aux surfaces métalliques exposées.</p> <p><b>SUPERFICIES CALIENTES:</b> Para reducir el riesgo de sufrir quemaduras - No tocar las superficies metálicas expuestas.</p>	
--	--	---

<p><b>WARNING</b></p> <p><b>REMOVE TANK FROM SERVICE AFTER YEAR: 2024</b></p>	<p><b>ADVERTENCIA</b></p> <p><b>RETIRE EL TANQUE DEL SERVICIO DESPUÉS DEL AÑO: 2024</b></p>	<p><b>AVERTISSEMENT</b></p> <p><b>METTRE LE RÉSERVOIR HORS SERVICE APRÈS L'ANNÉE: 2024</b></p>	<p>038-4732</p>
---	---	--	-----------------

<p><b>AVERTISSEMENT</b></p> <p>RISQUE D'EXPLOSION</p> <p>Prévenir la corrosion en drainant l'eau humide du réservoir après chaque utilisation.</p>	<p><b>WARNING</b></p> <p><b>RISK OF BURSTING</b></p> <p>Prevent tank corrosion. After each usage, drain all moisture from tank.</p>	<p><b>ADVERTENCIA</b></p> <p>RIESGO DE EXPLOSION</p> <p>Prevenir la corrosión del tanque. Después de cada uso, drene toda humedad del tanque.</p>
<p>EVACUATION D'EAU</p> <p>DESAGUE DE AGUA</p>		

<p><b>WARNING</b></p> <p>Before starting, read and understand operator manual for safe operation and maintenance. For replacement manual write to: Compressor Service, 118 West Rock Street, Springfield, MA 01107</p> <p>Risk of fire or explosion - Gasoline vapor is highly flammable. Refuel outdoors or in a well-ventilated area.</p> <p>DO NOT spray flammable liquid in a confined area or towards a hot surface. Spray area must be well-ventilated. DO NOT smoke while spraying or spray where spark or flame is present.</p> <p>Arching parts - Keep compressor at least 20 feet away from explosive vapors, such as when spraying with a spray gun.</p> <p>Risk of bursting - Do not adjust regulator to result in output pressure greater than marked maximum pressure of attachment. Units without a regulator use air-hauling parts rated at minimum 135 PSI (1 stage) or 200 PSI (2 stage).</p> <p>RUST WEAKENS TANK may cause explosion and severe or fatal injury/properly damage. Drain condensed water from tank after each use to reduce rusting.</p> <p>DO NOT weld on or repair tank - replace tank</p> <p>Risk of carbon monoxide poisoning - Engine produces deadly exhaust. DO NOT run compressor in enclosed area.</p> <p>Risk of injury-DO NOT direct air stream at body. DO NOT operate with supplied guards removed. Disconnect quickly and drain all air pressure from tank before servicing and after each use. DO NOT use compressed air for breathing. Wear eye protection.</p> <p>UNLOADER VALVE RUNNING</p> <p>CHECK OIL LEVEL in carryover before start (see and 10)</p>
---



***For product, service or warranty information contact us at:  
Para el producto, servicio o información sobre la garantía contacte con nosotros en:  
Pour les produits, services ou informations sur la garantie nous contacter à:***

**1-888-895-4549**

**[www.DEWALT.com](http://www.DEWALT.com)**

MAT Industries, LLC, Long Grove, IL 60047

Under license from DEWALT Industrial Tool Co.

Bojo licencia de DEWALT Industrial Tool Co.

Sous licence de DEWALT Industrial Tool Co.

The following are trademarks for one or more DEWALT power tools: the yellow and black color scheme; the “D” shaped air intake grill; the array of pyramids on the handgrip; the kit box configuration; and the array of lozenge shape humps on the surface of the tool.

Las siguientes son características únicas de una o más herramientas eléctricas y accesorios de DEWALT: El esquema de color amarillo y negro, la parrilla de admisión de aire en “D”, la formación de pirámides en el mango, la configuración de la caja de herramientas y la formación de rombos en la superficie de la herramienta.

Vous trouverez ci-après les marques de commerce d'un ou plusieurs outils électriques et accessoires DEWALT. L'agencement de couleurs jaune et noir, la grille d'admission d'air en forme de “D”, la distribution de pyramides sur la poignée, le format du boîtier et la matrice complexe de bosses en forme de losanges sur la surface de l'outil.