



ATV Log Skidding Arch

Owner's Manual



⚠ WARNING: Read carefully and understand all ASSEMBLY AND OPERATION INSTRUCTIONS before operating. Failure to follow the safety rules and other basic safety precautions may result in serious personal injury.

Item #51963

SAVE THESE INSTRUCTIONS

Thank you very much for choosing a Strongway™ product!

For future reference, please complete the owner's record below:

Serial Number/Lot Date Code: _____

Purchase Date: _____

Save the receipt, warranty, and this manual. It is important that you read the entire manual to become familiar with this product before you begin using it.

This ATV Log Skidding Arch is designed for certain applications only. Northern Tool & Equipment is not responsible for issues arising from modification or improper use of this product such as an application for which it was not designed. We strongly recommend that this product not be modified and/or used for any application other than that for which it was designed.

For technical questions, please call **1-800-222-5381**.

Table of Contents

Intended Use.....4

Technical Specifications4

Important Safety Information4

Main Parts of Skidding Arch6

Assembly Instructions.....7

Before Each Use.....9

Operating Instructions.....9

After Each Use.....10

Maintenance10

Parts Diagram11

Parts List11

Replacement Parts12

Limited Warranty13

Intended Use

The 750-lbs. Strongway ATV Log Skidding Arch handles logs up to 16 inches in diameter. It's ideal for use on the back of an ATV. It provides minimal snagging while keeping logs mud-free during transport.

Technical Specifications

Property	Specification
Log Diameter (in.)	16
Log Weight (lbs.)	750
Tires (in.)	16.5 x 4.8 - 8.0
Construction	Steel

Important Safety Information

⚠️WARNING

- Read and understand all instructions. Failure to follow all instructions may result in serious injury or property damage.
- The warnings, cautions, and instructions in this manual cannot cover all possible conditions or situations that could occur. Exercise common sense and caution when using this logging dolly. Always be aware of the environment and ensure that the log dolly is used in a safe and responsible manner.
- Do not allow persons to operate or assemble the logging dolly until they have read this manual and have developed a thorough understanding of how it works.
- Do not modify this logging dolly in any way. Unauthorized modification may impair the function and/or safety and could affect the life of the product. There are specific applications for which the product was designed.
- Use the right tool for the job. DO NOT attempt to force small equipment to do the work of larger industrial equipment. There are certain applications for which this equipment was designed. It will be a safer experience and do the job better at the capacity for which it was intended. DO NOT use this equipment for a purpose for which it was not intended.
- Industrial or commercial applications must follow OSHA requirements.

⚠️WARNING

- This product may contain chemicals known to the State of California to cause cancer, birth defects or other reproductive harm.

⚠️WARNING

WORK AREA SAFETY

- Inspect the work area before each use. Keep work area clean, dry, free of clutter, and well-lit. Cluttered, wet, or dark work areas can result in injury. Using the product in confined work areas

may put you dangerously close to other cutting tools and rotating parts.

- Keep children and bystanders away from the work area while operating the logging dolly. Do not allow children to handle the product.

⚠WARNING

PERSONAL SAFETY

- Stay alert, watch what you are doing, and use common sense when operating the logging dolly. Do not use the logging dolly while you are tired or under the influence of drugs, alcohol, or medication. A moment of inattention while operating the log dolly may result in serious personal injury.
- Dress properly. Do not wear loose clothing, dangling objects, or jewelry. Keep your hair, clothing and gloves away from moving parts. Loose clothes, jewelry, or long hair can be caught in moving parts.
- Do not overreach. Keep proper footing and balance at all times.
- Wear the proper personal protective equipment when necessary. Use ANSI Z87.1 compliant safety goggles (not safety glasses) with side shields, or when needed, a face shield. Use a dust mask in dusty work conditions. Also use non-skid safety shoes, hardhat, gloves, dust collection systems, and hearing protection when appropriate. This applies to all persons in the work area.
- Do not overreach. Keep proper footing and balance at all times.

⚠CAUTION

LOG ARCH & HOLDER USE AND CARE

- Do not force the logging dolly. Products are safer and do a better job when used in the manner for which they are designed. Plan your work, and use the correct product for the job.
- Check for damaged parts before each use. Carefully check that the logging dolly will operate properly and perform its intended function. Replace damaged or worn parts immediately. Never operate the logging dolly with a damaged part.
- Store the logging dolly when it is not in use. Store it in a dry, secure place out of the reach of children. Inspect the tool for good working condition prior to storage and before re-use.
- Use only accessories that are recommended by the manufacturer for use with your product. Accessories that may be suitable for one product may create a risk of injury when used with another tool.

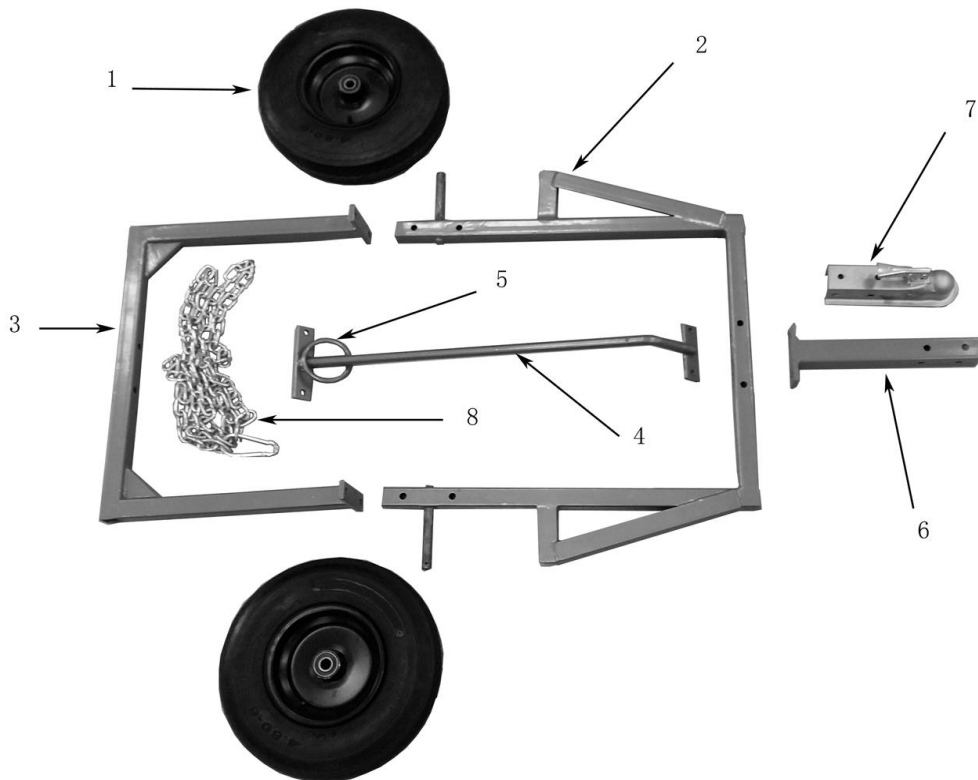
Specific Operation Warnings

⚠WARNING

- To prevent serious injury read and understand owner's manual before use.
- Wear ANSI Z87.1 compliant safety goggles.

- Do not exceed the rated load capacity and rated log dimensions.
- Wear steel toed boots and heavy duty leather gloves while handling logs.
- Do not exceed speeds of 10 MPH.
- Do not over inflate skidding arch tires. Over inflation may cause tires to burst or the rim to separate, causing serious personal injury.
- Do not operate on steep inclines. Skidding arch may tip over.
- Do not allow riders on the logging dolly.
- This log skidding arch is not DOT certified. Not for public road use.
- Check for damaged parts before each use. Do not use if parts are damaged.
- Not for use by or around children.

Main Parts of Skidding Arch



Reference Number	Subassembly
1	Pneumatic Rubber Tire
2	Frame Dragging Bar
3	Vertical Frame
4	Pull Rod
5	Lock Catch
6	Dragging Bar
7	Coupler
8	Chain

Contents of Hardware Bag



Wheel Spacer x 2pcs



Wheel R Pin x 2pcs



M12 X 70 Bolt x 8pcs



M12 Nut x 12pcs



Dia 12 washer x 12pcs



M12 X 80 Bolt x 4pcs



M14 X 70 Bolt x 2pcs



M14 Nut x 2pcs



Dia 14 washer x 2pcs

Assembly Instructions

⚠WARNING

- Do not allow persons to operate or assemble this skidding arch until they have read this manual and have developed a thorough understanding of how it works.
- Take all parts out of the shipping package and inspect components to ensure there are no missing pieces before starting to assemble.

1. Place a wheel spacer onto one shaft end of the frame dragging bar (#2) and then install the pneumatic rubber tire (#1). Slide the wheel into place where it can be fastened with a wheel R pin.

Place another wheel spacer onto the other side shaft end and install the other pneumatic rubber tire (#1) the same way. Fasten it with another wheel R pin.



2. Attach the vertical frame (#3) to the frame dragging bar (#2) with 4 sets of M12 x70 bolts, dia 12 washers, and M12 nuts. Do not tighten the nuts completely.



3. Insert the pull rod (#4) through the lock catch (#5). Connect the pull rod (#4) to the frame dragging bar (#2) and the vertical frame (#3) with 4 sets of M12 x 70 bolts, dia 12 washers, and M12 nuts. Tighten all the nuts in step 2 and step 3.



4. Attach the dragging bar (#6) to the front side of the frame dragging bar (#2) with 2 sets of M14 x70 bolts, dia 14 washers, and M14 nuts. Install the coupler (#7) to the dragging bar (#6) with 4 sets of M12 x80 bolts, dia 12 washers, and M12 nuts.



5. Hook the chain (#8) to the lock catch (#5) from behind the frame dragging bar (#2).



6. Connect the skidding arch to your ATV with the coupler (#7) provided.

Before Each Use

⚠WARNING

- Do not modify the skidding arch in any way. Unauthorized modification may impair the function and/or safety and could affect the life of the equipment. There are specific applications for which the skidding arch was designed.
- It is important to maintain the 35 PSI in the pneumatic tires at all times. Do not over-inflate or under-inflate your tires. Low pressure may result in tire failure. Over inflation may cause the tire to burst or the rim to separate causing serious personal injury.
- Always inflate tires from a regulated air source with an available pressure gauge. Inflating your tires from an unregulated air source could over-inflate them, resulting in a burst tire, rim separation, and/or personal injury.
- Review all safety information and instructions below. Failure to follow these instructions may result in property damage or injury to the operator or bystanders.
- Check for damaged or worn parts before using the skidding arch. Broken parts will affect the skidding arch operation. Replace or repair damaged or worn parts immediately.
- Check and make sure all the bolts and nuts have been secured.
- Check the pressure of your tires and make sure they are 35 PSI. Inflate the tires if necessary but NEVER over-inflate them!

Operating Instructions

⚠WARNING

- Wear ANSI Z87.1 compliant safety goggles.
- Do not exceed the rated load capacity and rated log dimensions.
- Wear steel toed boots and heavy duty leather gloves while handling logs.

- Do not exceed speeds of 10 MPH.
- Do not over inflate skidding arch tires. Over inflation may cause tires to burst or the rim to separate, causing serious personal injury.
- Do not operate on steep inclines. Skidding arch may tip over.
- Do not allow riders on the logging dolly.
- This log skidding arch is not DOT certified. Not for public road use.
- Not for use by or around children.

1. Place the log under the skidding arch and hold the end of the log with a timber jack (not provided).
2. Wrap the log with the chain (#8) and attach it with the lock of the chain.



3. Remove the timber jack (not provided) and now your log will be easier to move.

After Each Use

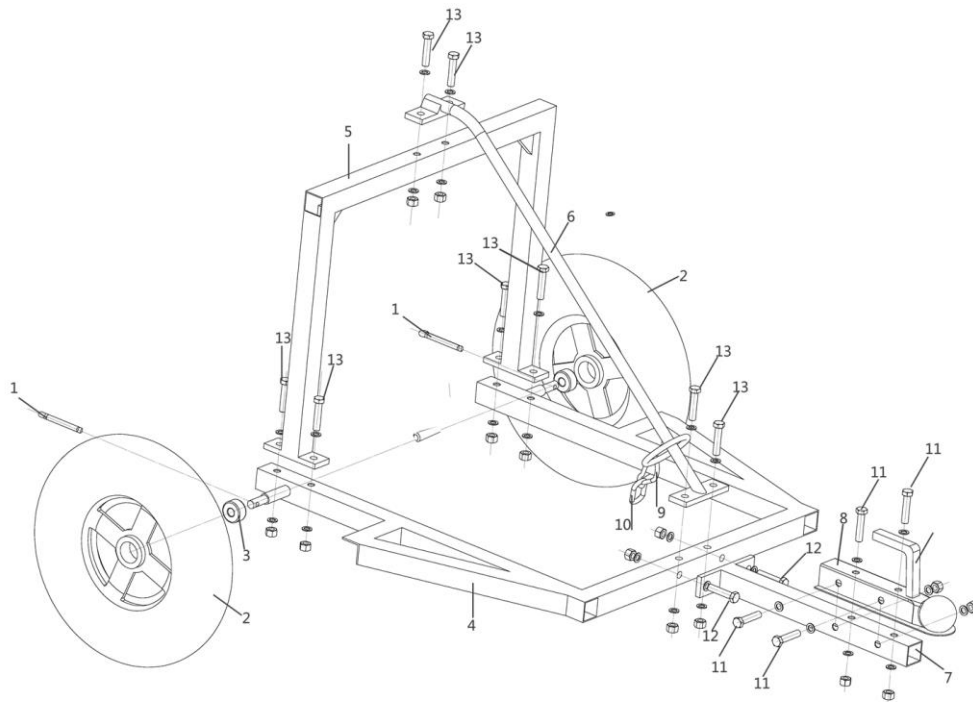
Store an idle skidding arch in a secure place out of the reach of children. Inspect it for good working condition prior to storage and before re-use.

Maintenance

Maintain the skidding arch by adopting a program of conscientious repair and maintenance in accordance with the following recommended procedures.

1. It is recommended that the general condition the product be examined before it is used. Keep the product in good repair by adopting a program of conscientious repair and maintenance in accordance with the recommended procedures found in this manual. If any damage or wear is noted, have the problem corrected before further use. Have necessary repairs made by qualified service personnel.
2. Before using, make sure all the bolts and nuts have been secured.
3. The skidding arch should be cleaned with a dry and soft cloth. Many household cleaners can weaken the materials.
4. Keep the product dry. Prevent exposure to water or corrosive materials, which may rust or damage components of the skidding arch.
5. When not in use, store the skidding arch in a safe area out of reach of children and unauthorized persons.
6. Occasionally apply some light oil to screw threads to prevent rust.

Parts Diagram



Wheel Spacer x2pcs



Wheel R Pin X 2pcs

Parts List

Part #	Description	Qty.
1	Type B Plug	2
2	Pneumatic Rubber Tires	2
3	Axle	2
4	Frame Dragging Bar	1
5	Vertical Frame	1
6	Pull Rod	1
7	Dragging Bar	1
8	2in Coupler	1
9	Lock Catch	1
10	Chain	1
11	M12×80 Bolt and Nut/Washer Set	4
12	M14x70 Bolt and Nut/Washer Set	2

Part #	Description	Qty.
13	M12×70 Bolt and Nut/Washer Set	8
14	Wheel R Pin	2
15	Wheel Spacer	2

Replacement Parts

- For replacement parts and technical questions, please call Customer Service at **1-800-222-5381**.
- Not all product components are available for replacement. The illustrations provided are a convenient reference to the location and position of parts in the assembly sequence.
- When ordering parts, the following information will be required: item description, item model number, item serial number/item lot date code, and the replacement part reference number.
- The distributor reserves the rights to make design changes and improvements to product lines and manuals without notice.

Limited Warranty

Northern Tool and Equipment Company, Inc. ("We" or "Us") warrants to the original purchaser only ("You" or "Your") that the Strongway product purchased will be free from material defects in both materials and workmanship, normal wear and tear excepted, for a period of **one year** from date of purchase. The foregoing warranty is valid only if the installation and use of the product is strictly in accordance with product instructions. There are no other warranties, express or implied, including the warranty of merchantability or fitness for a particular purpose. If the product does not comply with this limited warranty, Your sole and exclusive remedy is that We will, at our sole option and within a commercially reasonable time, either replace the product or product component without charge to You or refund the purchase price (less shipping). This limited warranty is not transferable.

Limitations on the Warranty

This limited warranty does not cover: (a) normal wear and tear; (b) damage through abuse, neglect, misuse, or as a result of any accident or in any other manner; (c) damage from misapplication, overloading, or improper installation; (d) improper maintenance and repair; and (e) product alteration in any manner by anyone other than Us, with the sole exception of alterations made pursuant to product instructions and in a workmanlike manner.

Obligations of Purchaser

You must retain Your product purchase receipt to verify date of purchase and that You are the original purchaser. To make a warranty claim, contact Us at 1-800-222-5381, identify the product by make and model number, and follow the claim instructions that will be provided. The product and the purchase receipt must be provided to Us in order to process Your warranty claim. Any returned product that is replaced or refunded by Us becomes our property. You will be responsible for return shipping costs or costs related to Your return visit to a retail store.

Remedy Limits

Product replacement or a refund of the purchase price is Your sole remedy under this limited warranty or any other warranty related to the product. We shall not be liable for: service or labor charges or damage to Your property incurred in removing or replacing the product; any damages, including, without limitation, damages to tangible personal property or personal injury, related to Your improper use, installation, or maintenance of the product or product component; or any indirect, incidental or consequential damages of any kind for any reason.

Assumption of Risk

You acknowledge and agree that any use of the product for any purpose other than the specified use(s) stated in the product instructions is at Your own risk.

Governing Law

This limited warranty gives You specific legal rights, and You also may have other rights which vary from state to state. Some states do not allow limitations or exclusions on implied warranties or incidental or consequential damages, so the above limitations may not apply to You. This limited warranty is governed by the laws of the State of Minnesota, without regard to rules pertaining to conflicts of law. The state courts located in Dakota County, Minnesota shall have exclusive jurisdiction for any disputes relating to this warranty.



Distributed by:

Northern Tool & Equipment Company, Inc.

Burnsville, Minnesota 55306

www.northerntool.com

Made in China