
	WARNING	
	READ AND UNDERSTAND THE <u>OPERATOR'S MANUAL</u> COMPLETELY BEFORE USING THIS PRODUCT. ASSEMBLE, TEST AND USE ONLY IN ACCORDANCE WITH THE OPERATOR'S MANUAL INSTRUCTIONS.	

	WARNING	
	CANCER AND REPRODUCTIVE HARM – <u>WWW.P65WARNINGS.CA.GOV</u> .	

1 Introduction

Manual Sod Cutters also call “Kick” sod cutters, is an inexpensive yet quick way to cut sod. Maxim takes pride in this Kicker Sod Cutter and has designed it with quality materials and workmanship. This Sod Cutter is designed to help you efficiently and effectively Edge and cut sod.

1.1 Application

Navigating This Manual

1. Use this manual to help familiarize yourself with safety, set-up, operation and warranty information. It is very important that you read this manual and follow the instructions to ensure safe operation.
2. Please visit maximmfg.com for updated information.

1.2 Further Assistance



Your dealer and all of us at Maxim want you to be pleased with your Kicker Sod Cutter. Should you require further assistance or have questions regarding your product, please contact your local dealer where you purchased your Sod Cutter, or contact us at:



Maxim Manufacturing
20195 South Diamond Lake Road, Suite 100
Rogers, MN 55374
800-822-0295
maximmfg.com

2 Set-up

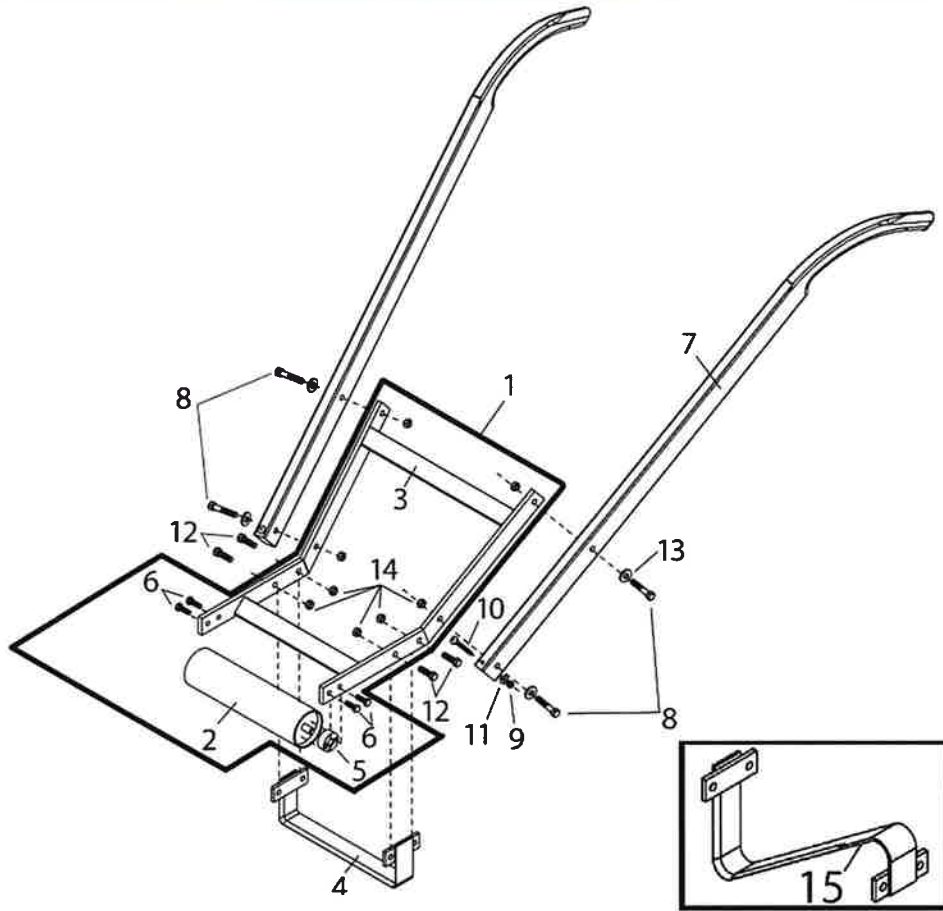
2.1 Unpacking Your Sod Cutter

Your Sod cutter ships in 1 box. Carefully set the parts on a flat working area. Carefully unpack the Sod Cutter and verify that no shipping damage has occurred.

	CAUTION	
	<p>USE CAUTION LIFTING.</p> <p>SHARP EDGES AND PINCH POINTS</p>	

	WARNING	
	<p>KEEP AWAY FROM:</p> <ul style="list-style-type: none"> • Buried electric or gas lines. • Irrigation heads, lines and valves. • Wear hard soled shoes or boots. 	

3 Parts List:

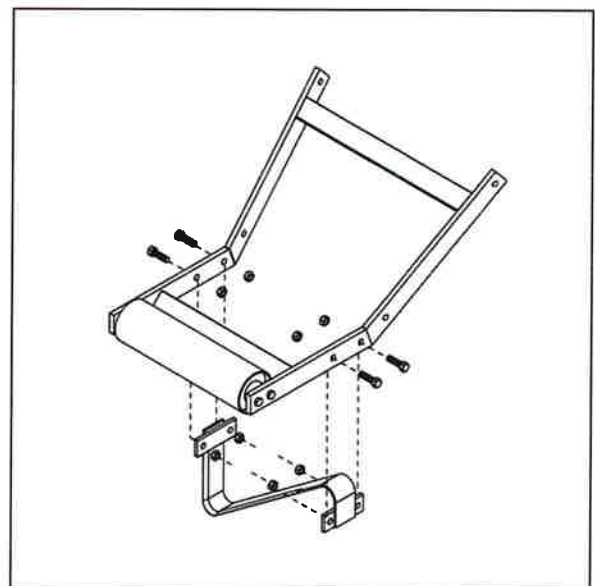
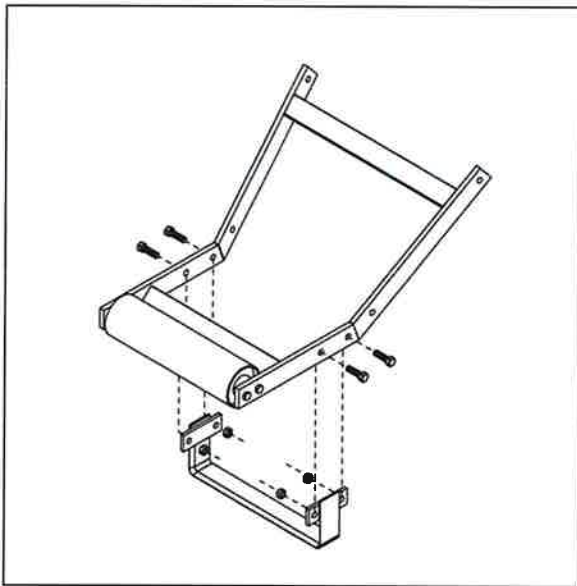


Key #	P/N	Description	Qty Per
1	GPR111300	Frame Head Assembly	1
2		Roller	1
3		Frame Weldment	1
4	GPR111301	12" Sod Blade	1
5		Bearing Hub	2
6		5/16-18 x 1" Hex Head Bolt	4
7	355641.Max	Handle, wood, Sod Kicker	2
	GPR111303	Hardware Bag Kit	1
8		3/8-16 x 2" Hex Head Bolt	4
9		1/4-20 Hex Nut	2
10		1/4-20 x 2 1/2" carriage bolt	2
11		1/4" Flat Washer	2
12		3/8-16 x 1 1/4" Hex Head Bolt	4
13		3/8" Flat Washer	4
14		3/8" Nylon Hex LockNut	8
15	GPR111302	Optional Bed shaper/edging Blade	1
	ZS040	Warning Label - Stiff sole shoes	1
	ZS039	Warning Label - sharp edges	1
	ZS041	Warning Decal, Unground Lines	1
	MGWG311001	Operators Manual	1

4 Assembly

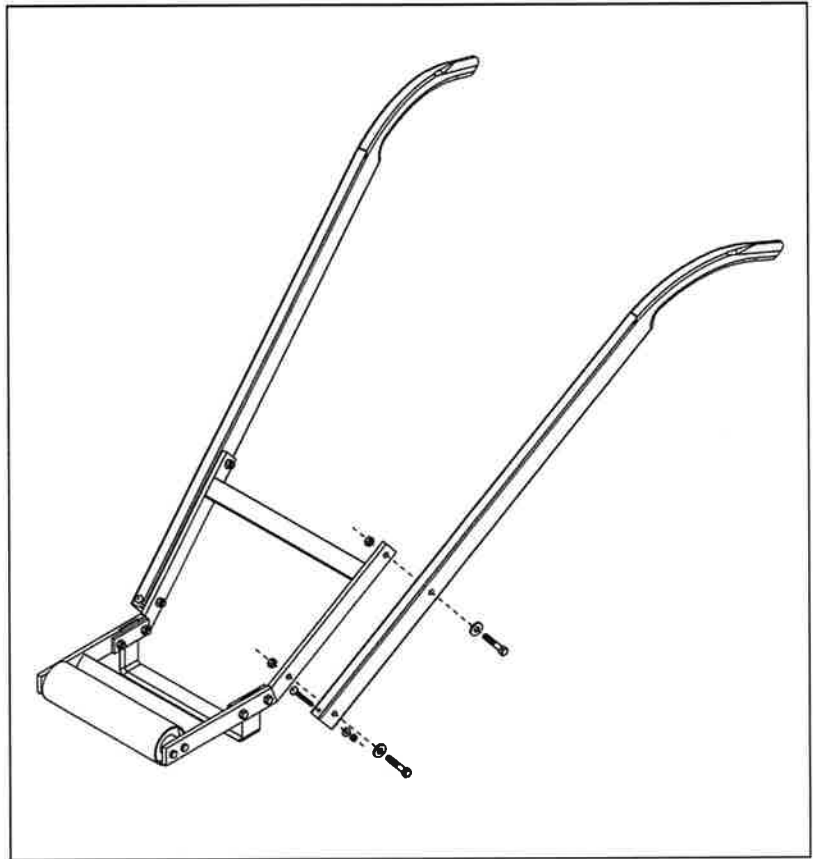
4.1 Attach Sod Cutter Blade ref# 4 or Optional Edger Blade ref# 15.

1. Attach Sod Cutter Blade or Bed Edger Blade to frame using four 3/8-16 x 1 1/4" hex head bolts and nylon Locknuts.



4.2 Attach Handles to Frame

1. Insert $\frac{1}{4}$ -20 x 2 $\frac{1}{2}$ " carriage bolt in the end of each handle to strengthen the wood grain. Secure with a $\frac{1}{4}$ " flat washer and nut.
2. Attach each handle to the outside of the frame using four $\frac{3}{8}$ -16 x 2 $\frac{1}{2}$ " hex head bolts, flat washers and nylon locknuts.



5 5. Operation

5.1 Before using your Kick Sod Cutter

1. When using the GWG311001 Kick Sod Cutter, make some preparations ahead of time to make the job experience better with less labor, easier clean up, cleaner straighter lines.
2. Make certain that your Kick Sod Cutter is properly maintained:
 - a. Clean sharp edge
 - b. Tight fasteners at all points
 - c. Handle in good working order, smooth, no cracks or splits.
3. Sprinkle lawn so to soften it, but not too much, should still feel solid when walking on it. Using a trowel, you should be able to push it into the ground two inches.
4. Mow grass to approx. 1" prior to sod cutting

5. Once lawn has been prepared, you'll want to mark your cut by measuring or painting lines to follow or run a tight string from stake to stake to follow.
6. Clear the cutting pathway of any debris.



5.2 Safety



1. Protective Personal Equipment – PPE, work gloves, solid sole boots/shoes
2. Your Kicker Sod Cutter blade is sharp, use caution using your Sod Cutter.
3. Sod becomes heavy quickly, be cautious when removing and practice good lifting techniques.



	CAUTION	
	USE CAUTION AT ALL TIMES WHEN USING YOUR SOD CUTTER. SHARP EDGES OF BLADE AND PINCH POINTS NEAR ROLLER WHEN ROLLING AND REMOVING SOD, PRACTICE GOOD LIFTING TECHNIQUES.	

5.3 Sod Cutting

1. With the handlebar up and blade positioned downward, push blade into the soil, using your arms and/or kick the "Kick Bar" near the bottom of the Kicker Sod Cutter so the blade goes into the soil.
 - a. The blade should go down easily into the soil, slicing into the turf to the desired depth, making sure you are under the top layer of roots.
 - b. Once in the soil to the desired depth bring the handle down to level out the blade running parallel to the ground.
 - c. With the roller on top of the turf and the blade running level under top layer of roots, continue to kick and maneuver the Kick Sod Cutter.
 - d. Once the desired depth has been achieved, level the blade to be horizontal to the lawn and continue to move cutter through the turf by kicking while holding the handlebars level to the ground/sod.
 - e. Continue to cut a row or rows as needed for your project.

2. When at the end of the row, pull up on cutter to end your cut.
 - a. Set Kick Cutter aside in a safe spot, remembering it's got a sharp edge.
 - b. Roll sod up for easy transfer, because of their weight, typically no longer than 6' to 8' feet long.
 - c. You're now ready for a final raking and leveling for the next phase of your project, garden, patio, walking area.


	CAUTION	
	WHEN ROLLING AND REMOVING SOD, PRACTICE GOOD LIFTING TECHNIQUES.	

	WARNING	
	KEEP AWAY FROM: <ul style="list-style-type: none">• Buried electric or gas lines.• Irrigation heads, lines and valves.• Wear hard soled shoes or boots.	

6 Warranty & Product Registration

6.1 Warranty/Product Registration

Please register your product immediately after purchase. You can do that by visiting our website at www.maximmfg.com and complete our online product registration.

MAXIM  **Made in the USA**
with US and Imported Components

Aerators | Edgers | Plows | Sprinklers | Tillers | Trimmers | Accessories

PRODUCT REGISTRATION FORM

* Required Field

Product Registration Form

First Name: *

Last Name: *

Address: *

Address Line 2: *

City: *

State: *

Zip Code: *

Country: *

Email: *

Phone: *

Model #: *

Serial Number: *

Date of Purchase: *

Purchased from: *

Address: *

City: *

State: *

Zip: *

Please select your application type.

Homeowner

Commercial

Rental

Additional Message:

Or, complete the following warranty/production registration form on the next page and return to:

Maxim
Attn: Warranty Registration Department
20195 South Diamond Lake Road, STE 100
Rogers, MN 55374



Product Registration Form

YOUR INFORMATION

Full Name:

Last First M.I.

Address:

Street Address Apartment/Unit #

City State ZIP Code

Home Phone:

Alternate Phone:

Email

PURCHASED FROM

Company:

Address:

Street Address Apartment/Unit #

City State ZIP Code

MODEL INFORMATION

Purchase Date

Application Type

Homeowner Commercial Rental

Model (i.e. RMT55H)

Serial # (i.e. RMT55HA01234567)

Signature

Register your product online at www.maximmfg.com



20195 South Diamond Lake Road, Suite 100 • Rogers, MN 55374
Toll-Free: 800-621-2789 • Website: maximmfg.com • Email: sales@maximmfg.com

Dear Valued Customer:

The Maxim Product you just purchased is built with the finest material and craftsmanship. Use this product properly and enjoy the benefits from its high performance. By purchasing a Maxim Product, you show a desire for quality and durability. Neglect and improper handling may impair its performance and is not covered by this limited warranty.

Thoroughly read the instructions and understand the operation before using your product. Always contact Maxim Product Support at 1-800-621-2789 prior to having any service or warranty work performed, as some services performed by parties other than Maxim approved service centers may void this warranty. This limited warranty is in lieu of any other warranty expressed or implied, written or oral and Maxim assumes no other responsibility or liability outside that expressed within this limited warranty. Warranty claims must be submitted within 30 days from date of repair.

**Limited Warranty for Maxim Product:
GWG311001**

	Consumer Warranty Period	Commercial Warranty Period
Complete Unit	2 years from date of purchase by user	1 years from date of purchase by user
Specific Limitations	Maxim warrants the components of this product; it does not cover any labor charges associated with repair or expense for examination or adjustment of unit. Unless unused, warranty does not apply to normal wear and tear components including, but not limited to, Handle, High impact wear related components such as blade, roller, roller bearings and lubrication or from failure to follow instructions contained in the Owner's Manual for the equipment. Wear item warranties are subject to inspection, with warranty level of coverage or to replace/repair is at the sole decision/discretion of Maxim.	

“Consumer use” means personal residential household use by a consumer. “Commercial use” means all other uses, including, but not limited to, use for commercial, income producing or rental purposes or when purchased by a business.

This limited warranty applies to the original purchaser of the equipment (verification of purchase, in the form of a receipt, is the responsibility of the buyer), is non-transferable. Parts/components will be replaced or repaired at no charge, except when the equipment has failed due to lack of proper maintenance or misuse. If a part is no longer available, the part may be replaced with a similar part of equal function. Any misuse, abuse, alteration or improper installation or operations will void warranty. Determining whether a part is to be replaced or repaired is the sole decision of Maxim. Maxim will not provide for replacement of complete products due to defective parts. Any costs incurred due to replacement or repair of items outside of a Maxim approved facility is the responsibility of the buyer and not covered under warranty. Transportation costs to and from service center are the responsibility of the customer.

This limited warranty specifically excludes the following: failure of parts due to damage caused by accident, fire, flood, windstorm, acts of God, applications not approved by Maxim in writing, corrosion caused by chemicals, use of replacement parts which do not conform to manufacturer's specifications, damage related to rodent and/or insect infestation and damage caused by vandalism. Additional exclusions: loss of time, inconvenience, loss of income, or loss of use, including any implied warranty of merchantability of fitness for a specific use.

This limited warranty does not cover any personal injury or damage to surrounding property caused by failure of any part, misuse or inability to use the product. Alteration of the product, including safety features, shall void this limited warranty.

For products purchased on or after August 1, 2022