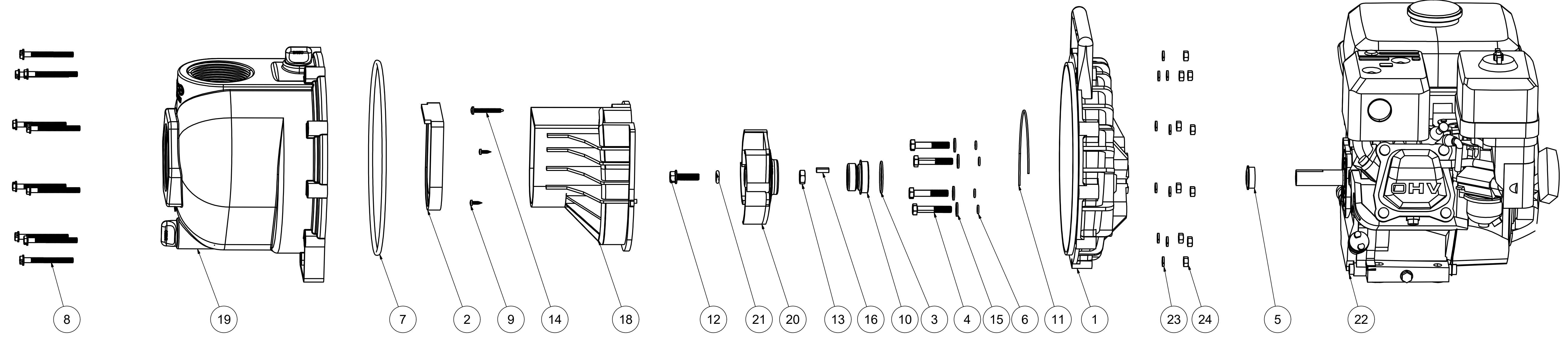



Parts List			
ITEM	QTY	PART NUMBER	DESCRIPTION
1	1	12703A	POLY PUMP REAR BRACKET
2	1	12705	PUMP CHECKVALVE, EPDM
3	1	12710	#029 O-RING
4	4	12715A	5/16-24 X 1 3/4" HHCS WITH TORQ-PATCH
5	1	12716	PUMP SLINGER
6	4	12717	#11 O-RING, EPDM
7	1	12719A	#375 O-RING, EPDM
8	10	12720	1/4-20 X 2 1/2" SL IND HWHS
9	2	12725	#6 X 1/2" PPH SMS
10	1	12733	MECH. SEAL ASSY.
11	1	12754	O-RING SEGMENT
12	1	12765A	5/16-24 X 1 1/8" HFS
13	1	12775A	7/16-14 HEX NUT
14	1	12900	#10 X 1 1/2" PPH SMS
15	4	12901	5/16" FLAT WASHER
16	1	12902A	3/16" SQ. X 5/8" KEY
17	1	12910	PUMP DECAL (N/S)
18	1	13702	3" POLY PUMP VOLUTE
19	1	13712	3" POLY PUMP BODY ASSY.
20	1	13771	3" POLY PUMP TRIMMED IMPELLER
21	1	A204	#204 O-RING, EPDM
22	1	E6H	6.5 HP HONDA
23	10	V07018	1/4" LOCKWASHER
24	10	V07019	1/4-20 HEX NUT




BANJO CORPORATION
 150 BANJO DRIVE, CRAWFORDSVILLE, IN 47933
 WEB SITE: WWW.BANJOCORP.COM
 E-MAIL: SALES1@BANJOCORP.COM
 DESCRIPTION
 3" POLY PUMP W/ 6HP HONDA
 PART NUMBER
 300PH-6

THIS DRAWING AND ALL INFORMATION CONTAINED THEREON ARE THE EXCLUSIVE PROPERTY OF BANJO CORPORATION.
 UNLESS SPECIFICALLY NOTED, THIS DRAWING AND ITEMS SHOWN ON THIS DRAWING ARE SUBJECT TO CHANGE AT ANY TIME.