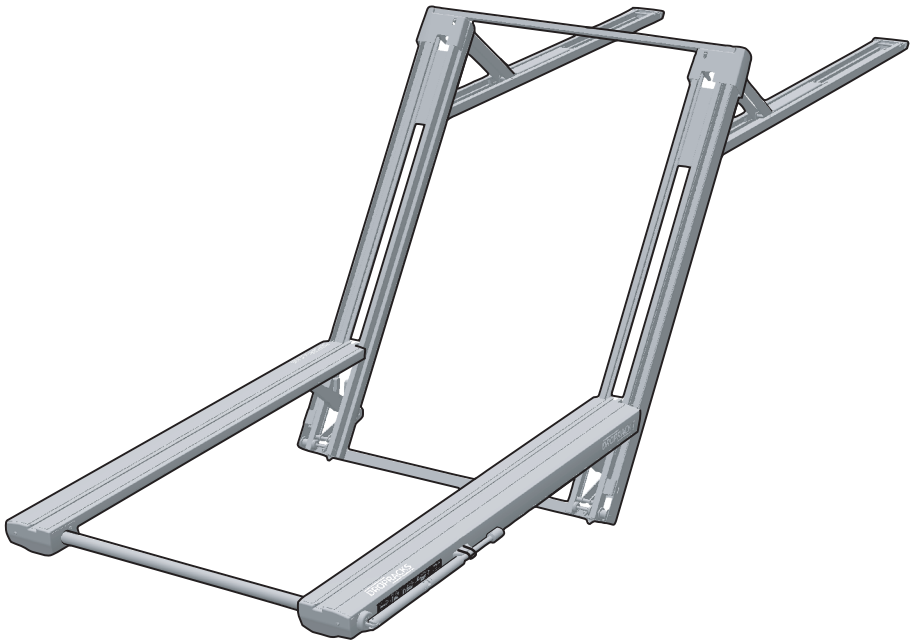


# ***INSTRUCTIONS***

Dropracks lowerable roof rack.



**Dropracks is a product of HPG AS.  
Leirfossveien 5D, Trondheim, NORWAY.**

For a complete video installation guide - Go to our website!

**[www.dropracks.com/blogs/installation](http://www.dropracks.com/blogs/installation)**



# INTRODUCTION

**Read all instructions carefully before using the product for the first time.**

The safety information explained in these instructions, cannot cover all situations that may occur. It must be understood that common sense and general caution must be applied while using the product.



Pay close attention to this installation step



Can cause injury to people or equipment if not adhered to

---

## Car roof styles

Dropracks works with:

- Raised rails that are minimum 95 cm long.\*
- Flush rails that are minimum 95 cm long.\* May require a fitting kit.
- Gutters that are minimum 95 cm long.\*
- Fixed Points \*\*

## Clamp

Four (4) clamps are used to connect the underside of the Dropracks system to the car roof.

Clamps are not included and must be bought separately. Ask your Dropracks retailer for clamps that fit your car.





\*Rails/gutters shorter than 95cm require custom cut and machined center bars.

\*\*Fix point distances longer than 85 cm require extra long center bars that are custom cut and machined.

**Contact your Dropracks retailer, to see if they can provide custom center bar solutions in your area.**

Go to [www.dropracks.com/blogs/installation/](http://www.dropracks.com/blogs/installation/) to find your option.

# TECHNICAL DATA

	<b>140 - SP</b>	<b>160 - XL</b>
Load Capacity:	75 kg	80 kg
Weight:	29 kg	32 kg
Width:	140 cm	160cm
Effective load width:	130 cm	150 cm
T-track distance:	85 cm **	85 cm **
		
		

## Weight Restrictions & Guidelines

Do not exceed the maximum load specified for the roof rack, accessory rack or the maximum load recommended by the vehicle manufacturer.



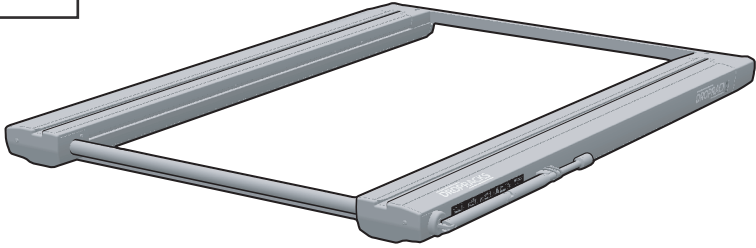
Max roof load

=

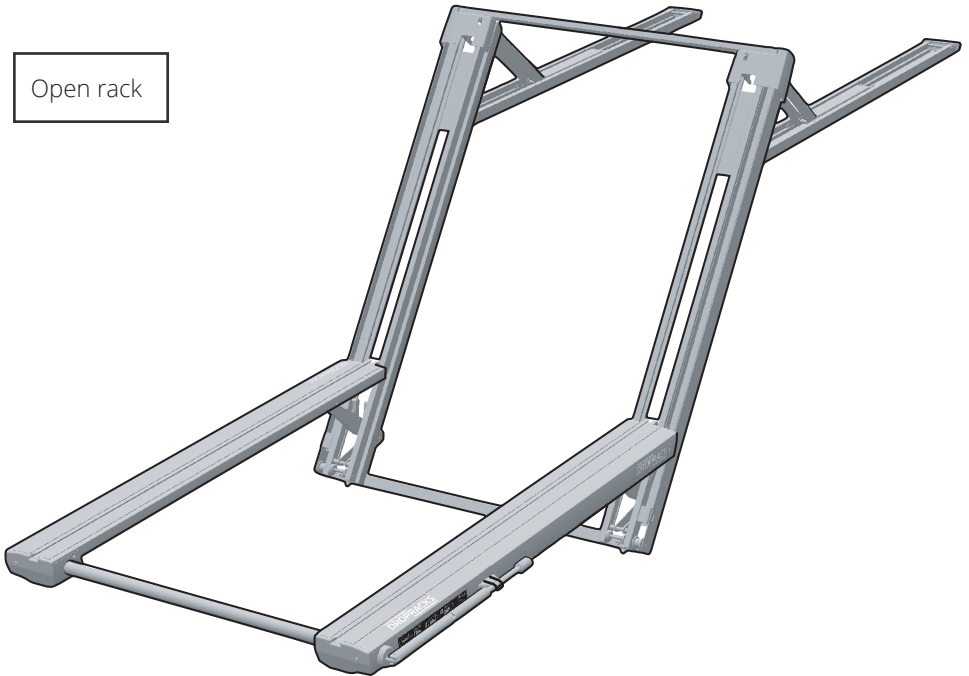
Rack weight + clamps + fitted carrier accessories + weight of the load

# INSTALLATION GUIDE

Closed rack



Open rack

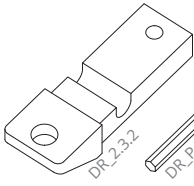


Installation videos can be viewed online: [www.dropracks.com/blogs/installation](http://www.dropracks.com/blogs/installation)

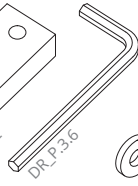
# PARTS



2X



2X



1X



4X



2X



4X

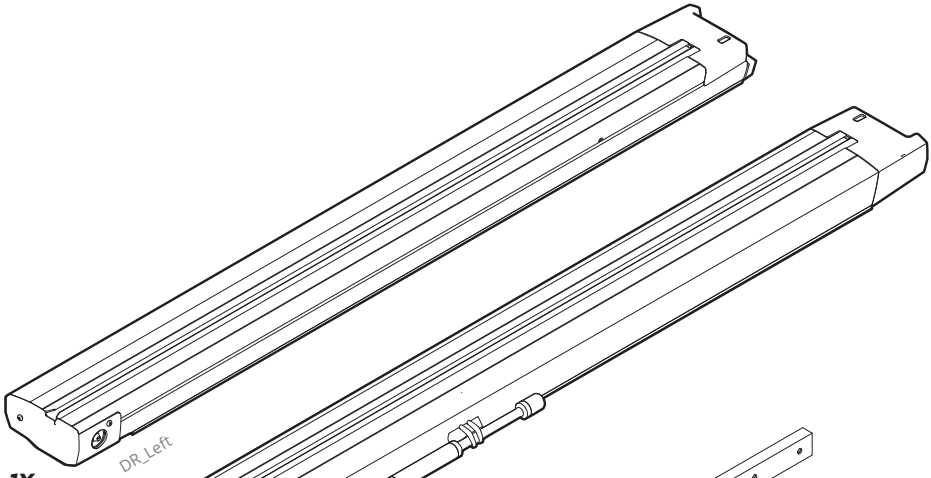


4X



1X

DR\_P.3.1

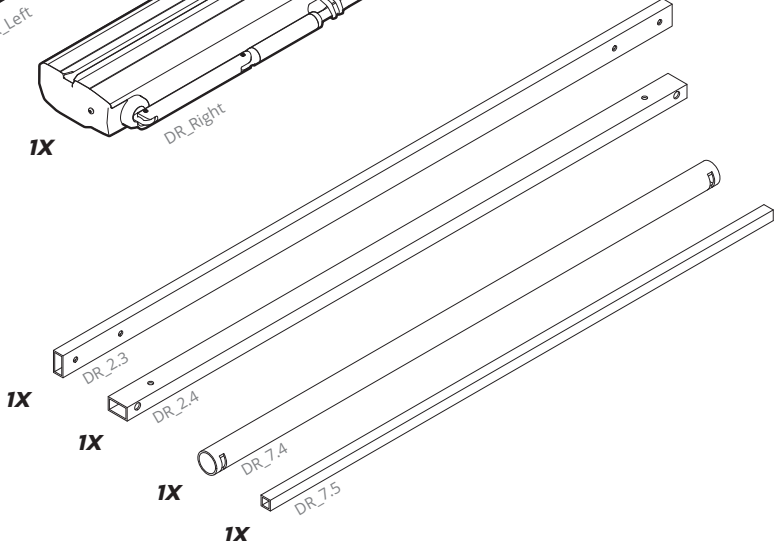


1X

DR\_Left

1X

DR\_Right



1X

1X

1X

1X

DR\_2.3

DR\_2.4

DR\_7.4

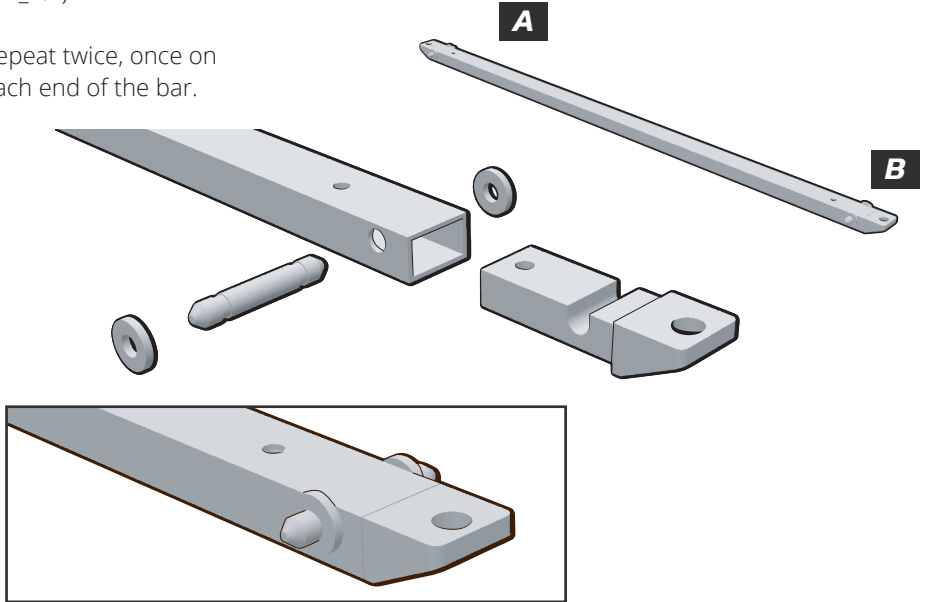
DR\_7.5

# 1

## ASSEMBLE CENTER BAR

(DR\_2.4)

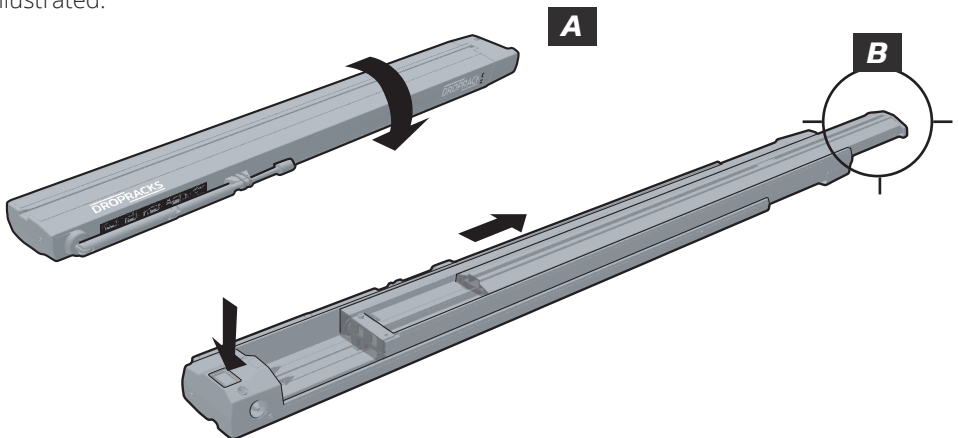
Repeat twice, once on each end of the bar.



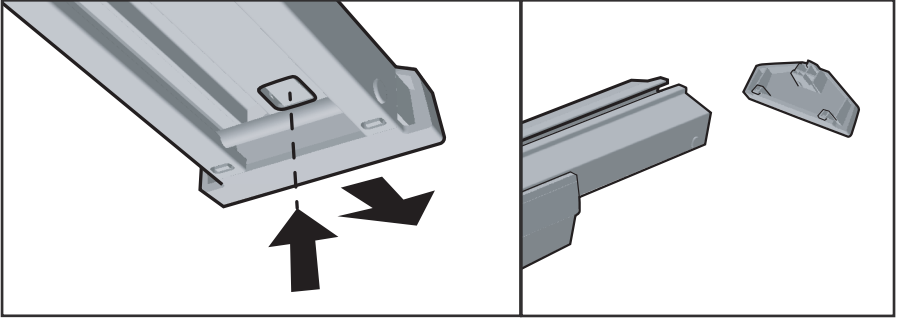
# 2

## ATTACH CLAMPS

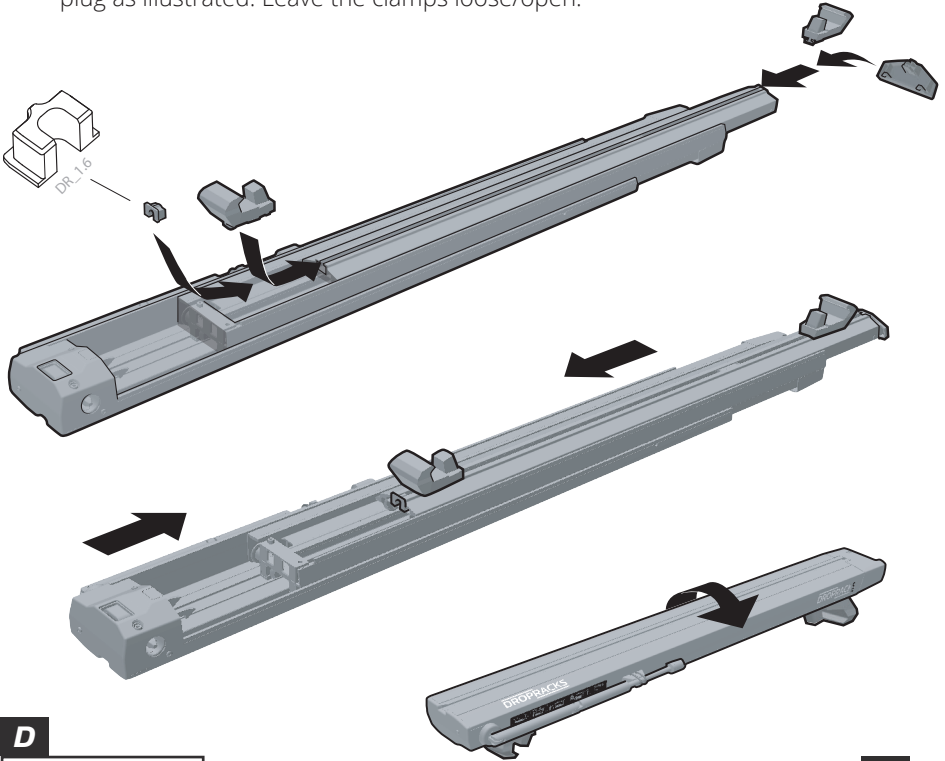
Flip main profile upside down.  
Open the lock and slide out as illustrated.



**B** Remove endcap.



**C** Slide the clamps into the track, followed by the endcap and plug as illustrated. Leave the clamps loose/open.

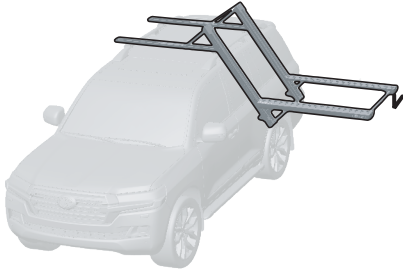


**D**  
Close the rack.

**E**  
Repeat for the left,  
and the right side.

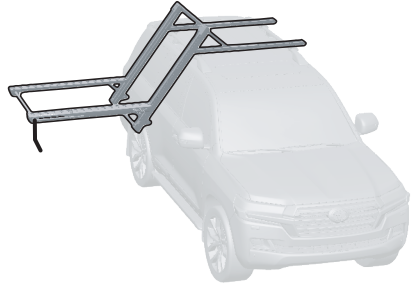
# 3

## CHOOSE SIDE



### Driver side

Crank visible from the back of the car.



### Passenger side

Crank visible from the front of the car.

Make sure the connecting points on your car roof are clean.

Not decided if you want to drop your rack on the driver side or passenger side?

**Go to [www.dropracks.com/blogs/installation](http://www.dropracks.com/blogs/installation) to help you decide.**

Dropracks' general recommendation is to drop the rack on the driver side of the car.

Refer to the clamp instructions to see how the clamps fit to your car.



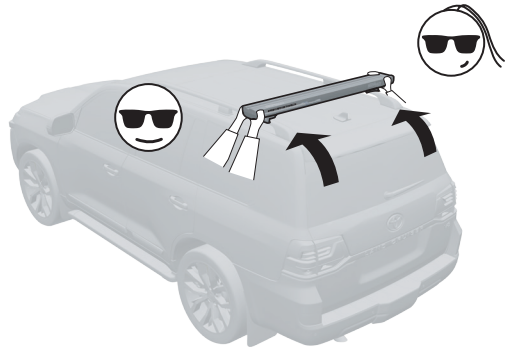
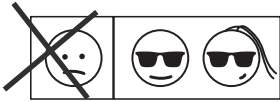


Return to these instructions

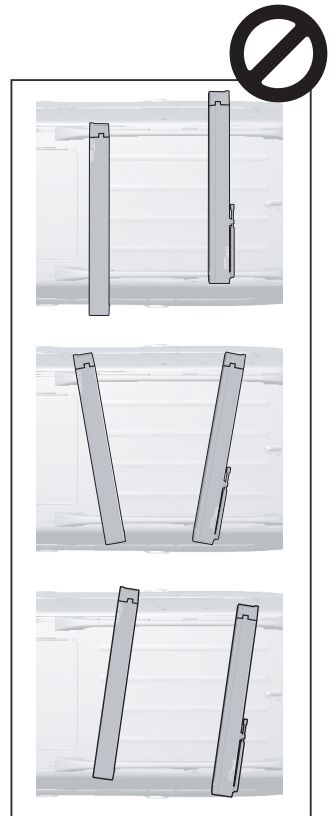
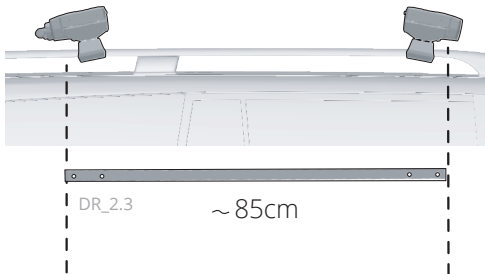
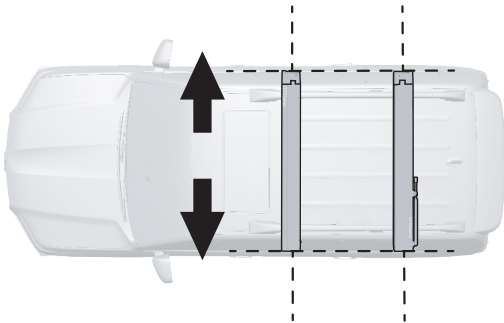
# 4

## LIFT DROPRACKS ONTO CAR

**A** Two adults



**B** Center the rack on the car.  
Leave the clamps loose.



# 5

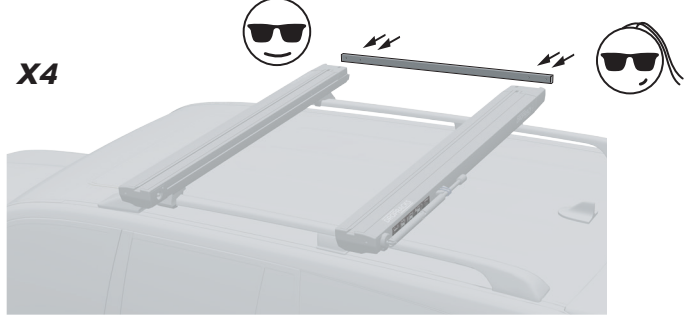
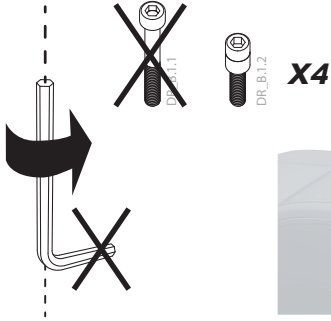
## CONNECT BAR

(DR\_2.3)



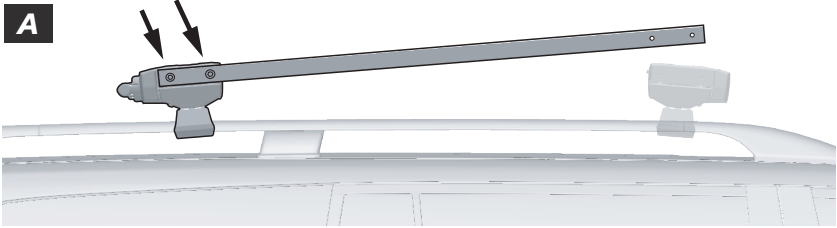
### Attention:

- Do not drop the bar!
- The rack can move!

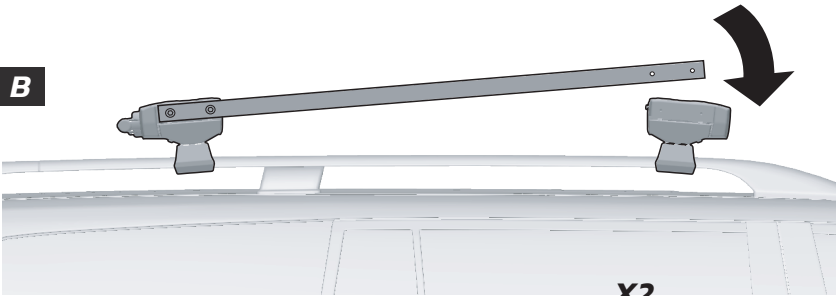


**A**

**X2**

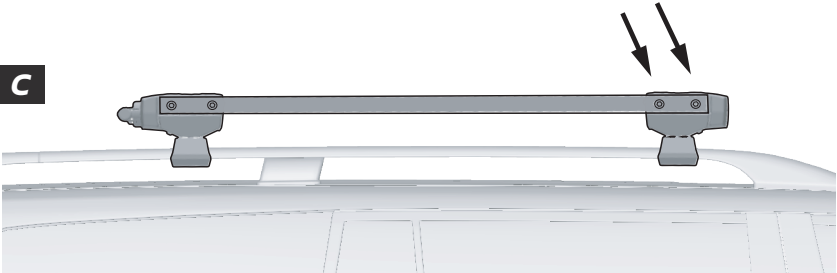


**B**



**C**

**X2**



# 6

## CONNECT BAR

(DR\_2.4)

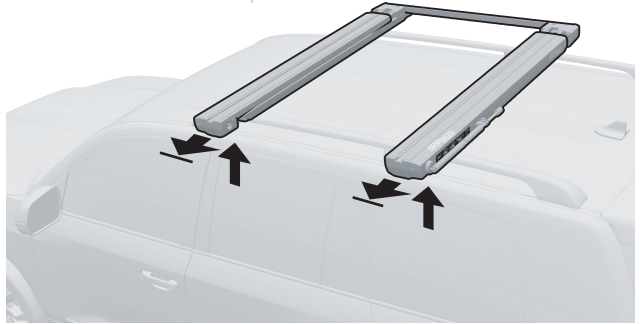


### Attention:

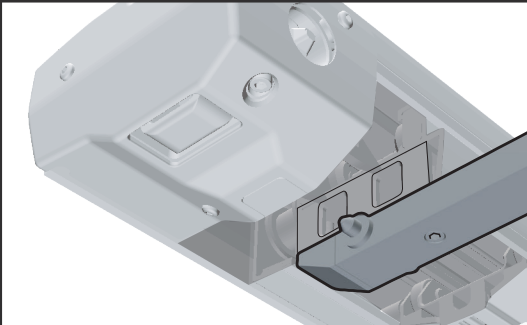
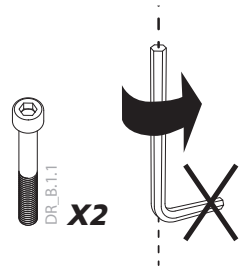
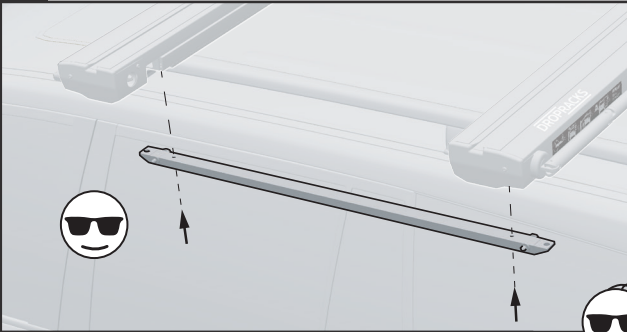
- Do not drop the bar!
- The rack can move!

### A

Open the lock and slide out 5 cm.



### B



### C

Close the rack.

# 7

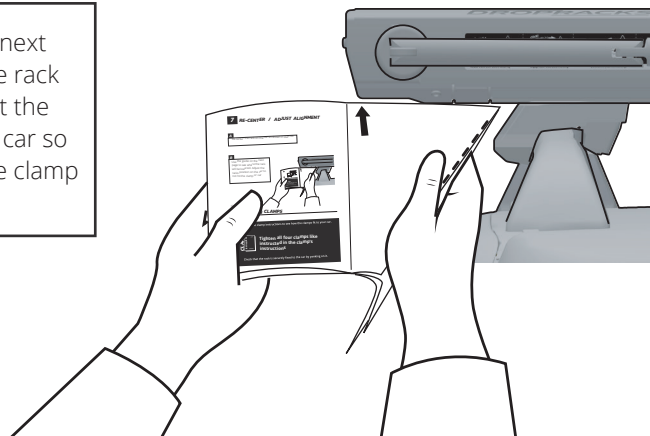
## RE-CENTER / ADJUST ALIGNMENT

### A

Re-center the rack on the car as shown in step 4B.

### B

Use the guide on the next page to see where the rack will be lowered. Adjust the rack's position on the car so that it does not hit the clamp or car when lowered.



### C

Check both sides

# 8


## TIGHTEN CLAMPS

Refer to the clamp instructions to see how the clamps fit to your car.



**Tighten all four clamps like instructed in the clamp's instructions**

Check that the rack is securely fixed to the car by yanking on it.



Align top of page along the base of the rack.  
Hold the arrow at the outer tip of the rack.

***THE DASHED LINE ILLUSTRATES  
THE LOWERING ANGLE OF THE  
DROPRACKS***



**Attention**

Car and clamp must not be  
on this side of the line.

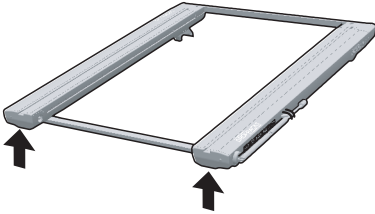
*Fold the page back along this line.*

Return to these instructions

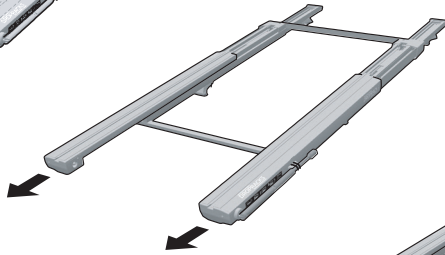
# 9

## PERFORM ALIGNMENT TESTS

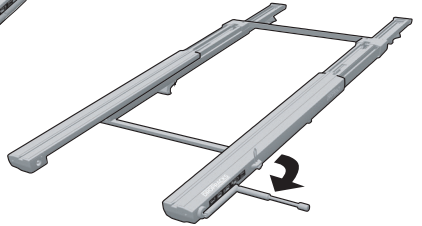
**A** Open locks.



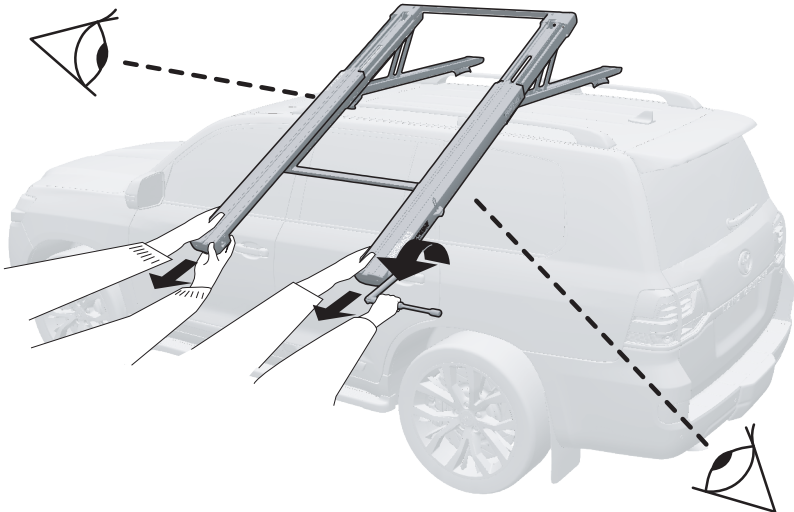
**B** Pull out.



**C** Fold crank.



**D**



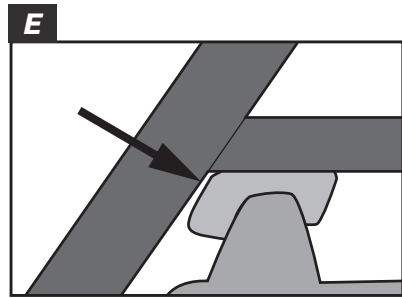
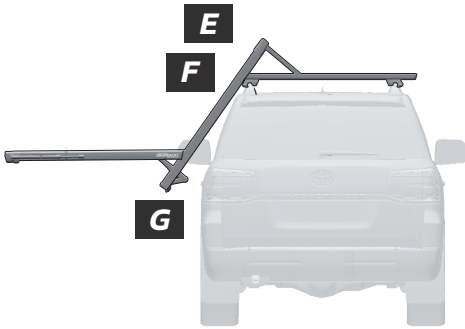


The rack must be lowered completely for the next steps.

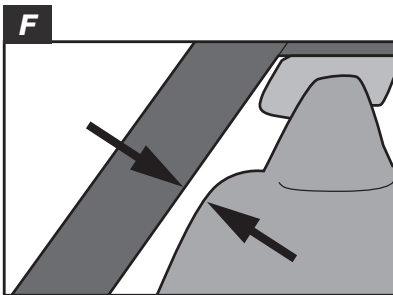


**Make sure that the rack does not hit the car.**

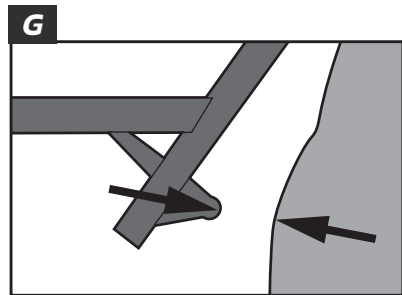
If any of the following tests fail, push and crank the rack up, release the clamps, and realign the rack's position according to step 7.



No contact with clamp.



Min 2 cm to car.



Min 10 cm to car.

**2 CM**

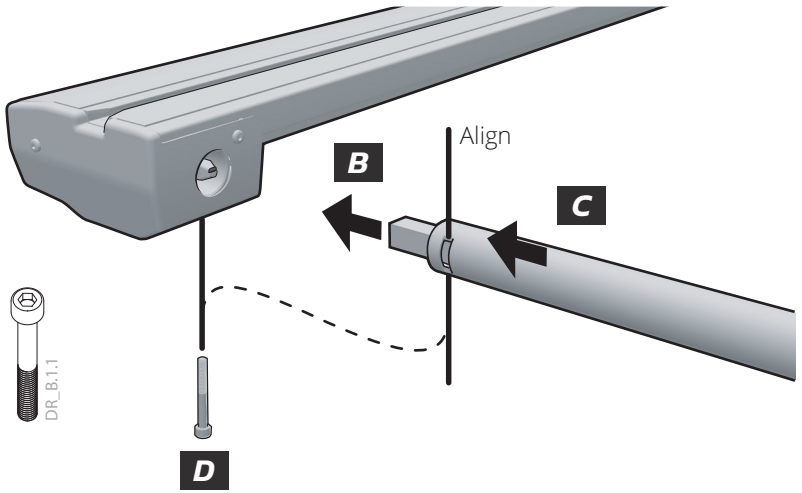
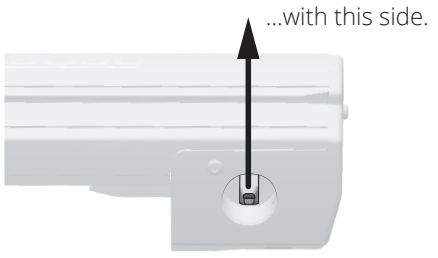
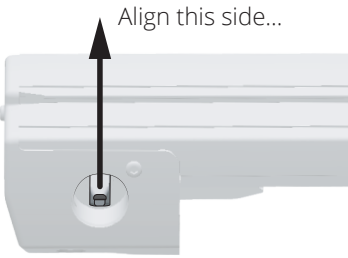
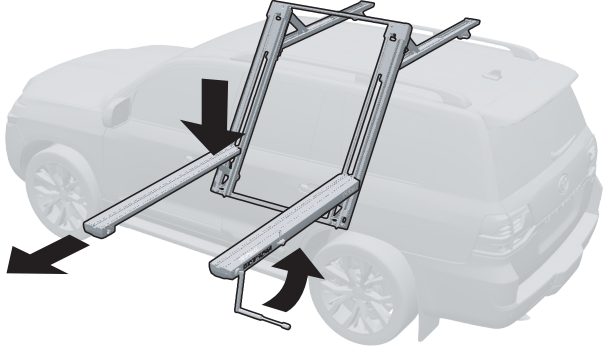
**10 CM**

# 10

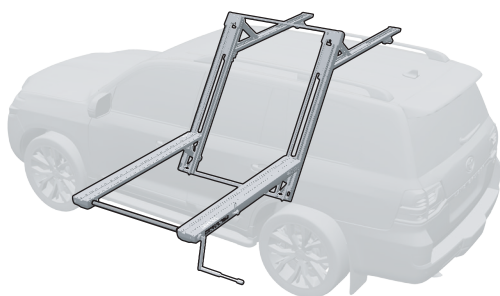
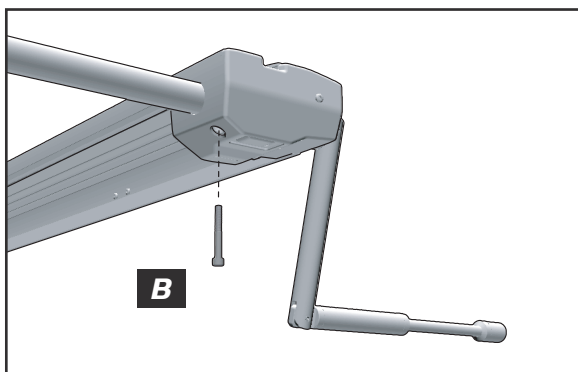
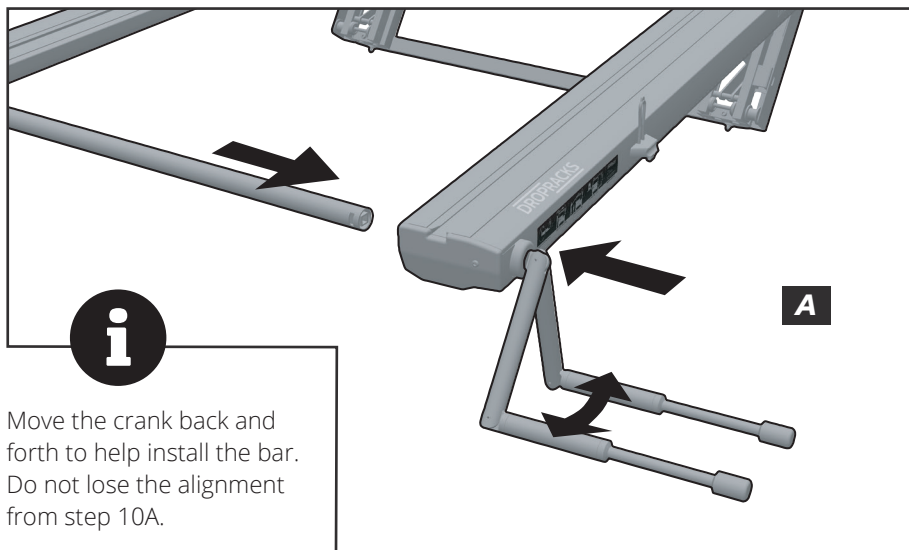
## LEFT: CONNECT HANDLEBAR

### A

Align by rotating the crank and by pushing the rack down.



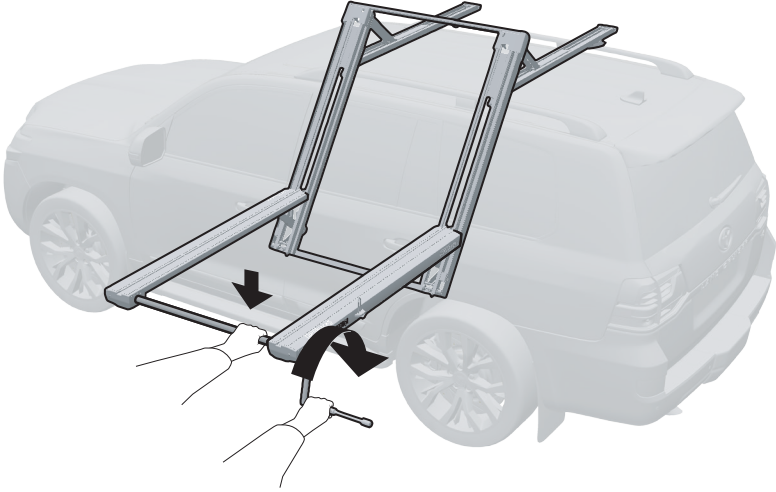


**11****RIGHT: CONNECT HANDLEBAR**

# 12

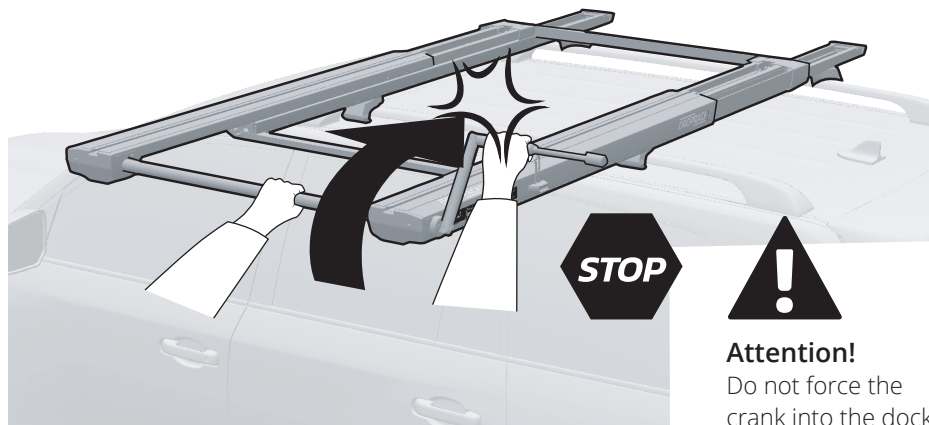
## CRANKING

A



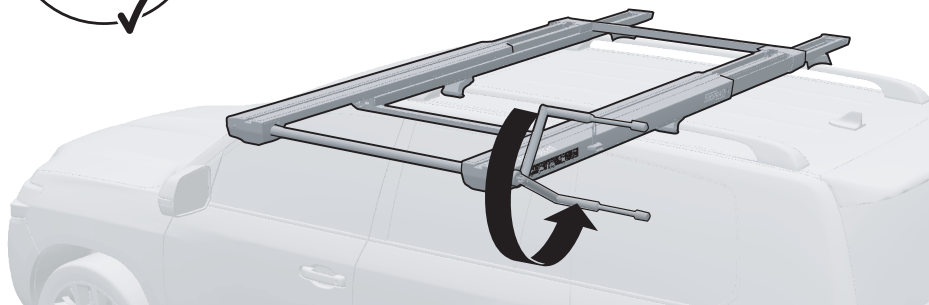
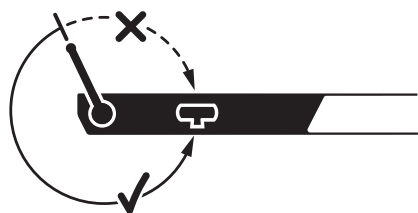
**B**

When the rack is up and the crank gets hard to turn, **STOP**.



**C**

Rotate the crank counter clockwise and attach it to the dock.



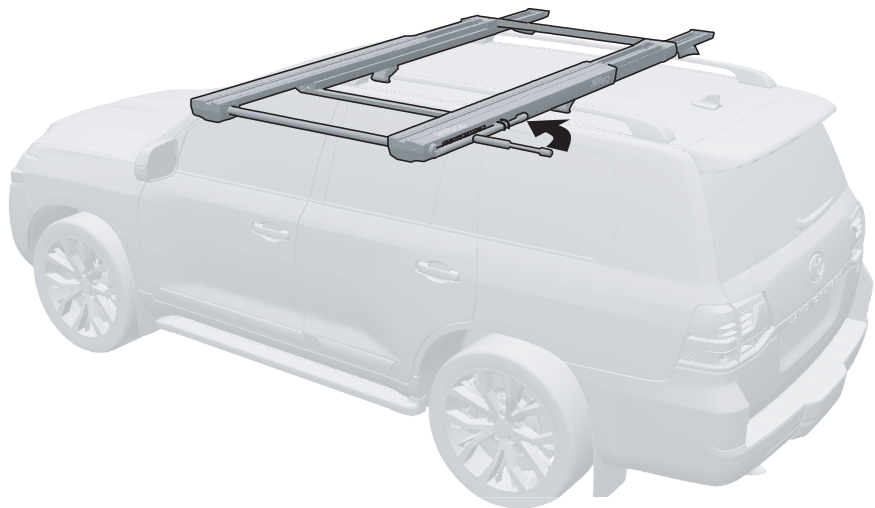
**D** →

**D**

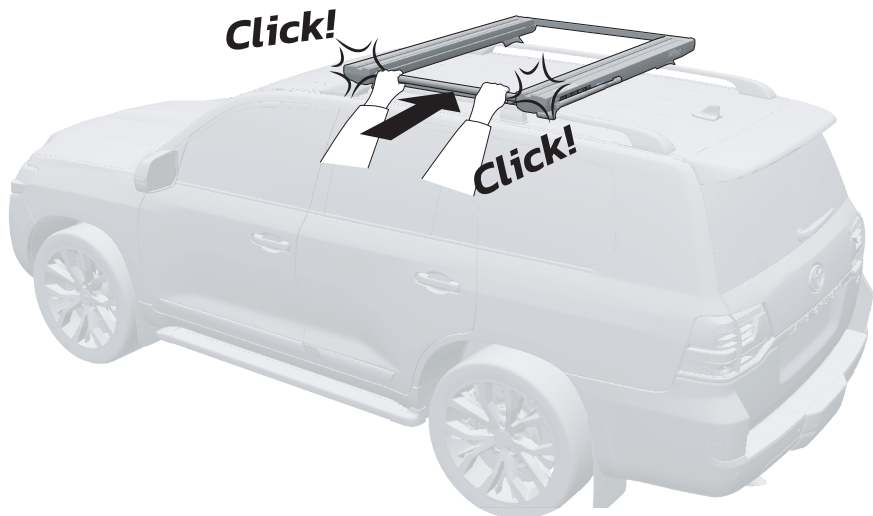


**Attention!**

Attach the crank before closing the rack!



**E**



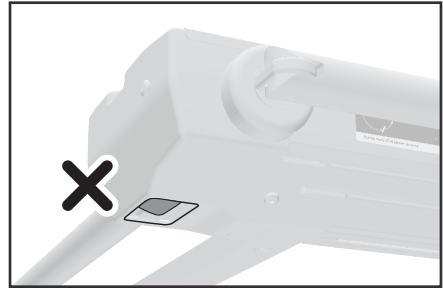
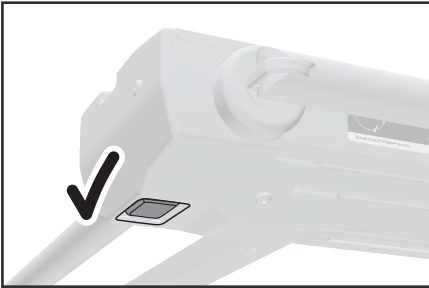
# 13

## INSPECT THE LOCKS

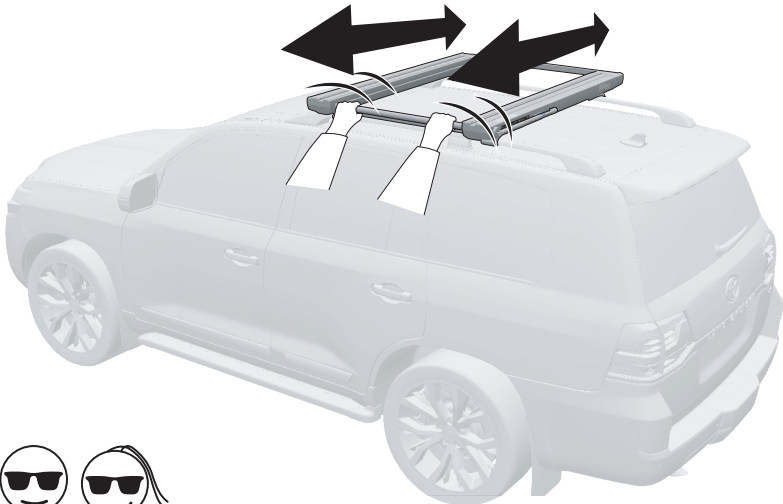


### Attention!

Make sure that the rack is completely closed, and that both locks have engaged!



Push and pull to test the locks.



**YOU ARE NOW READY TO RACK AND ROLL!**

# ***DROPRACKS DICTIONARY***

## **Left side**

"Left side" refers to the main part of the rack that will be on your left hand side when using Dropracks.

## **Right side**

"Right side" refers to the main part of the rack that will be on your right hand side when using Dropracks. It is the side with the crank.

## **Center bars**

- Front bar  
This bar connects the left and right sides with two bolts.
- Back bar  
This bar connects the left and right sides with four bolts.
- Handle-bar  
The handle-bar has a square pipe inside. You grip onto handle-bar bar when using the rack.

## **Drive lock**

There are two drive-locks in the rack, one on the left, and one on the right. They let you open and close the rack from its driving position.

## **Crank**

The crank is your main input when lifting the rack from the lowered position. While driving it is folded onto the outside of the right bar.

## **Clamp**

Clamps connect the Dropracks to the car roof. Different roof styles need different clamps.

Synonyms: Loading foot, leg, foot unit, tower, connecting device, etc.

## **Fitting kit:**

Some clamping systems require fitting kits. Fitting kits usually have rubber pads that enable a better fit. Fitting kits are often used for flush rails and fix points.

## **T-Track**

The tops of modern roof racks have T-shaped tracks. Modern rack accessories are attached to this T track with standard T shaped bolts.

## **T-Bolt**

T-bolts are used to fasten the load to the rack. They are shaped like an upside down T, and slide into the T-tracks.

## **Rack - Accessories**

Rack accessories range from sports equipment such as bike & kayak carriers, to large roof boxes, and small strapping kits. Anything and everything you would like to fasten to your rack needs some form of accessory.

## **Car roof styles and rack connection**

Different car roofs have different shapes and features for attaching roof racks.

Different clamps fit different roof styles. The most common roof styles are:

- Raised rails
- Flush rails
- Gutters
- Fix points

# ***SAFETY INFORMATION***

## **General**

- The manufacturer is not liable for any theft of product or property.
- Read all instructions carefully before using the product for the first time.
- These instructions should be kept together with the vehicle's operating instructions and carried in the vehicle when in use and en route.
- Be sure to follow the national rules and regulations regarding roof load carriers and accessories. Always check and follow all local driving regulations.
- Read instructions before use. Improper use can lead to damage on car and/or person.
- Personal safety, and the safety of the car is your responsibility.
- The safety advice and the disclaimers explained in these instructions, cannot cover all situations that may occur. It must be understood that common sense and general caution must be applied while using the product.
- It is paramount that all users of the rack and accompanying equipment understand the instructions. Inform and show new users how the rack should be used.
- Your authorized Dropracks reseller can be of service if anything is unclear and you are in need of additional explanations.
- Do not leave the rack in its lowered position without supervision.
- This product is designed and built according to the standard: DIN75302 and is certified and tested according to its requirements.
- Inadequately secured loads and incorrectly mounted roof racks and accessory racks can come loose during travel and cause serious accidents! Therefore, installation, handling and use must be carried out in accordance with product and vehicle instructions.



## Installation and Fitting

- This product must only be used with suitable clamps.
- Assemble and fit the product using the instructions only. Check with the instruction manual that all the necessary parts are included. If a part is missing, the product may not be used until it is complete.
- Do not assemble or use this product unless you have understood the fitting instructions. If you have any questions, please contact your local dealer for further information.
- Every time the unit is fitted, check that the product is sitting securely on the roof. Try to push and pull the carrier out of its locked position. This test should be carried out regularly.
- Do not mount the product on cars that are explicitly not rack compatible. Check with your local retailer.
- The manufacturer can not be held responsible for personal damages of property or loss of fortune caused by incorrect mounting or use of the product.
- No modifications to the product are permitted if not approved by the manufacturer.
- Consult with your dealer if you have any questions regarding the operations and limits of the product. Review all instructions and warranty information carefully.
- Antennas and sunroofs can interfere with roof racks when installed and should not be used if they do.
- If a fitted roof rack is mounted with clamps directly to the car roof, the car roof should be cleaned of dust or dirt before attaching them, to avoid scratches to the paint.

## Loading

- Do not exceed the maximum load specified for the roof rack, accessory rack or the maximum load recommended by the vehicle manufacturer.  
 $\text{Max Roof Load} = \text{weight of roof rack} + \text{weight of accessory racks} + \text{weight of load}.$
- This product is only suitable for transporting the max load capacity if it is evenly distributed on the loading surface.
- Overloading, error in closing, and use of equipment explicitly rejected by the manufacturer can damage the car or product.
- Make sure that equipment attached to the rack is always attached securely.

- Do not lower or lift the rack with a loose load.
- Do not open the rack into trafficked roads.
- Keep other people away from moving parts, when the rack is lowered/ lifted.
- Do not go under the rack when it is in use.
- Do not use the product on an incline of more than 5%.
- Do not place load or other objects on other surfaces than the loading surface.
- The product must only be used when the car is safely parked.
- When carrying surfboards and other long items, these shall be secured both at the front and the rear of the vehicle.
- NOTE! Always check the load's attachment.
- Loading and driving. It is the driver's responsibility to check that the product is properly fastened and functions correctly. If there is a special accessory adapter for the object to be transported, we recommend using it.
- Elastic straps with securing hooks should not be used for load fixation.
- Check that the load is fastened properly by pushing and pulling it.
- The load's security should be thoroughly checked before driving, after a short distance, and thereafter at suitable intervals. Tighten the load's securing straps whenever necessary.

## Driving & Regulations

- Always make sure all driving locks are locked before driving.
- The driver of the car is legally responsible for safe usage and consequences of unsafe usage of roof racks and other accessories attached to the car. The manufacturer is not responsible for any injury, damage of property or harm caused by usage of the product.
- Road speed should always be adjusted to suit the load being carried and the current driving conditions, such as road type and quality, wind conditions, traffic intensity and applicable speed limits.
- Check tension of load carrier frequently, especially when travelling on rough roads.
- Vehicle handling, cornering, braking and sensitivity to side winds will change with the addition of roof top loads.
- Off-road driving is not recommended and could result in damage to your vehicle or your gear.
- Speed must be adjusted accordingly and we recommend not exceeding the recommended speed of 130 km/h or legal speed limit.

## Maintenance

- Follow the product's maintenance instructions.
- Periodically inspect accessory rack for damage and wear.
- Do not use the product if a part has defects or is damaged. This may cause serious injury.
- Replace worn-out or defective parts with genuine replacement parts certified by Dropracks .
- The load carrier should always be cleaned and maintained, especially in the winter.
- Do not wash the product with high pressure when the temperature is below freezing.
- Store all loose parts safely when the product is removed from the vehicle.
- Always remove load and accessories from the Dropracks before disassembling from the car roof.
- Modifications to the Dropracks product are not permitted. Modifications can cause a safety hazard for you and your surroundings. If the product is modified, the warranty is no longer valid, and the manufacturer cannot be held responsible.
- Do not put the car through an automatic car wash when the rack is mounted.
- Fitting kits and attachments may be specially designed for a car model. Please check with your Dropracks retailer what type of fitting kit and attachments are needed when changing car.

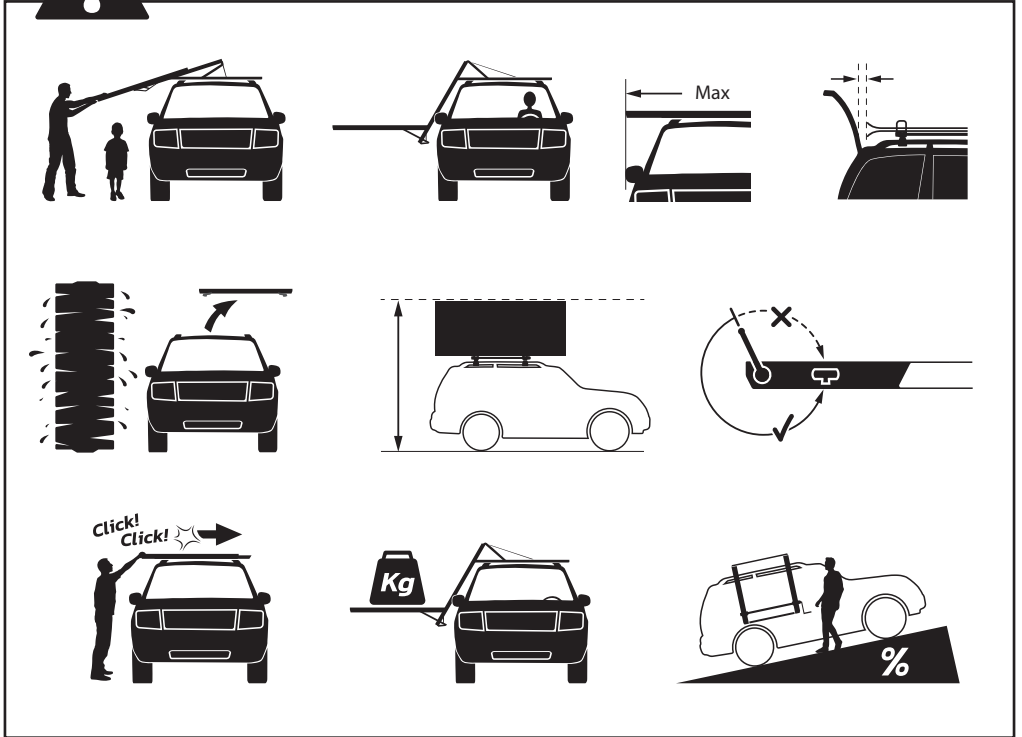
**PATENT NO: WO2018198055**

**Complies with DIN75302 Roof Rack standard**

Type A roof-rack: Universal.



# WARNING



For a complete video installation guide - Go to our website!



[www.dropracks.com/blogs/installation](http://www.dropracks.com/blogs/installation)