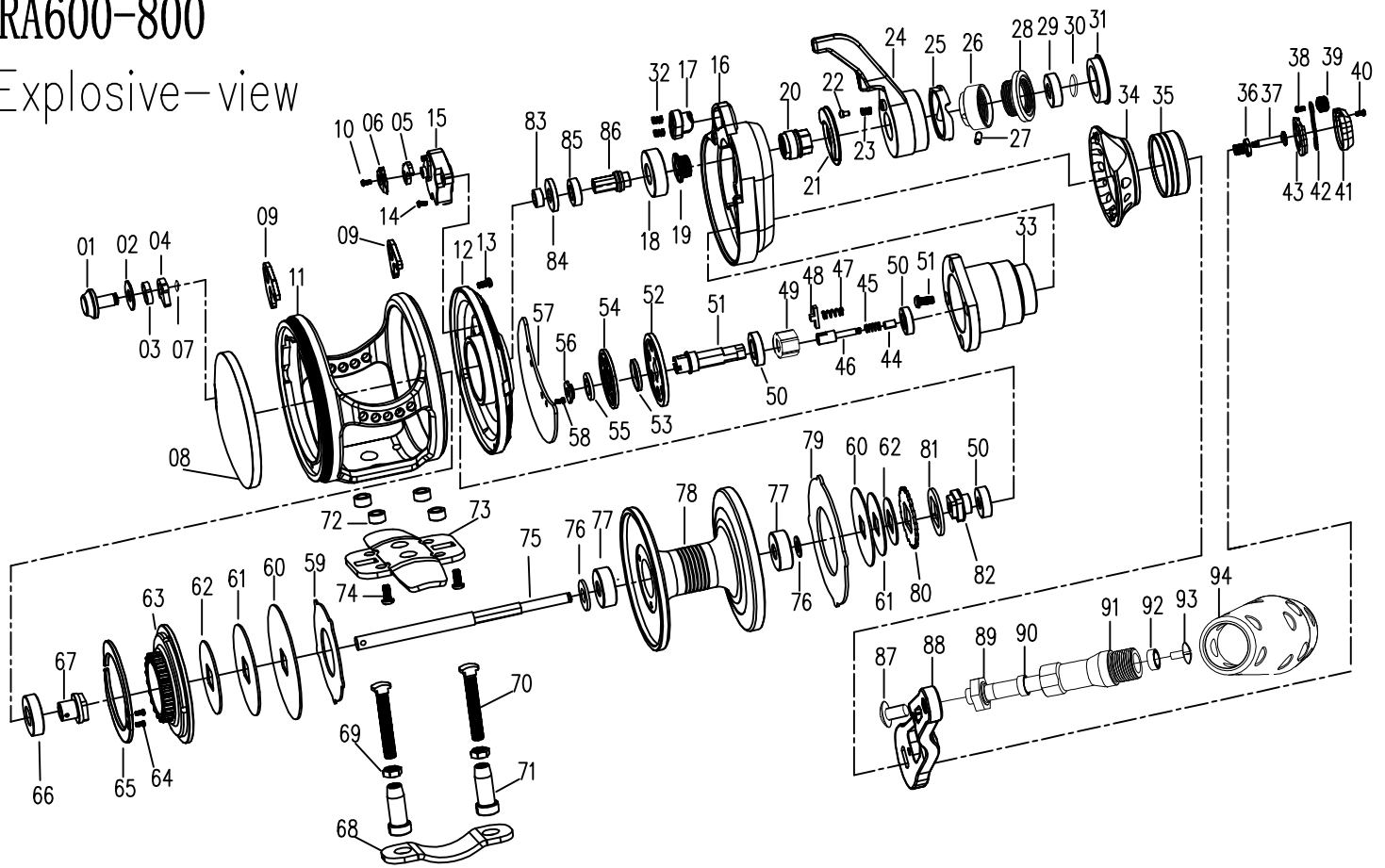


RA600-800

Explosive-view



1	Clicker pin	26	Cam Cover	51	Gear shaft	76	Washer
2	Washer	27	Cam Cover pin	52	Drive gear (Fast)	77	Spool bearing
3	plastic circlip	28	Adjustment Knob	53	Gear washer	78	Spool
4	Clicker	29	bearing	54	Drive gear (Slow)	79	Drag washer B
5	Anti-reverse clicker	30	E circlip	55	Gear washer	80	Ratchet
6	Washer	31	Adjustment Knob Cover	56	Screw	81	Washer
7	E circlip	32	Spring	57	Gear cover	82	Limit sleeve B
8	Back cover	33	One-way bearing cover	58	Screw	83	Gap washer
9	Harness Lugs	34	Cover cap	59	Drag washer A	84	Gap washer
10	Screw	35	Decorated Cover	60	Drag plate-A	85	Driven gear (Fast)
11	Body	36	Push button nut	61	Drag plate-B	86	Driven gear (Slow)
12	Cover-1	37	Push button shaft	62	Drag plate-C	87	Handle screw
13	Cover screw	38	Screw	63	Alert ratchet	88	Handle
14	Screw	39	Push button cap	64	Clicker seat screw	89	Knob shaft
15	Washer	40	Screw	65	Clicker seat	90	Bearing
16	Cover-2	41	Button cover	66	Bearing	91	Knob Tube
17	Strike bottom	42	Screw	67	Limit sleeve A	92	Bearing
18	bearing	43	Button plate	68	Screw	93	Screw
19	Screw	44	Push button inside nut	69	Rod Mount Lock washer	93	Knob
20	Screw	45	Spring	70	Screw		
21	Pronunciation Base	46	Sliding shaft	71	Nut		
22	pronunciation nail	47	Spring	72	Washer		
23	Spring	48	Gear cross bar	73	Rod Mount (clamp style)		
24	Drag Lever	49	One-way bearing	74	Screw		
25		50		75			