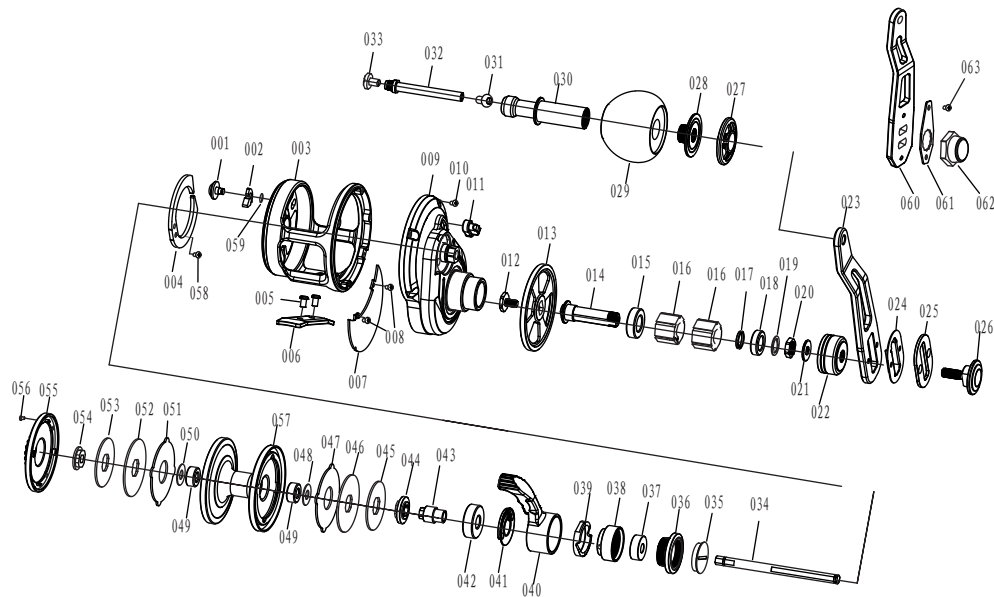


GOMEXUS LX



1	Clicker pin	26	Lever-Arm Screw	51	Drag Washer B
2	Clicker E-Clip	27	Handle-pincher cover	52	Drag Plate C
3	Body	28	Handle-pincher screw	53	Drag Plate D
4	Pronunciation Base Seat	29	Bail-Handle	54	Drag positioning Washer B
5	Rod Mount Screw	30	T-Shank Casing	55	Clicker Gear
6	Rod Mount(clamp style)	31	T-Handle Screw	56	Clicker Gear Screw
7	Gear Cover	32	T-Handle Shoulder Shaft	57	Spool
8	Gear Cover Screw	33	T-Handle Shoulder Shaft Screw	58	Clicker Gear Screw
9	Cover	34	Spool Shaft	59	E circlip
10	Cover Screw	35	Adjustment Knob Cover	60	Lever-Arm
11	Strike bottom	36	Adjustment Knob	61	Lever-Arm Washer C
12	Drive Shaft Screw	37	Cam Bearing	62	Lever-Arm Screw
13	Drive Gear	38	Cam Cover	63	Clicker Gear Screw
14	Drive Shaft	39	Drag Cam	64	
15	Bail Bearing A	40	Drag Lever	65	
16	One-Way Bearing	41	Pronunciation Base	66	
17	Orientation Washer	42	Spool Bearing A	67	
18	Bail Bearing B	43	Pinion	68	
19	Spring Washer	44	Drag Positioning Washer A	69	
20	Nut	45	Drag Plate A	70	
21	Washer	46	Drag Plate B	71	
22	Decorated Cover	47	Drag Washer A	72	
23	Lever-Arm	48	Washer A	73	
24	Lever-Arm Washer A	49	Spool Bearing B	74	
25	Lever-Arm Washer B	50	Washer B	75	