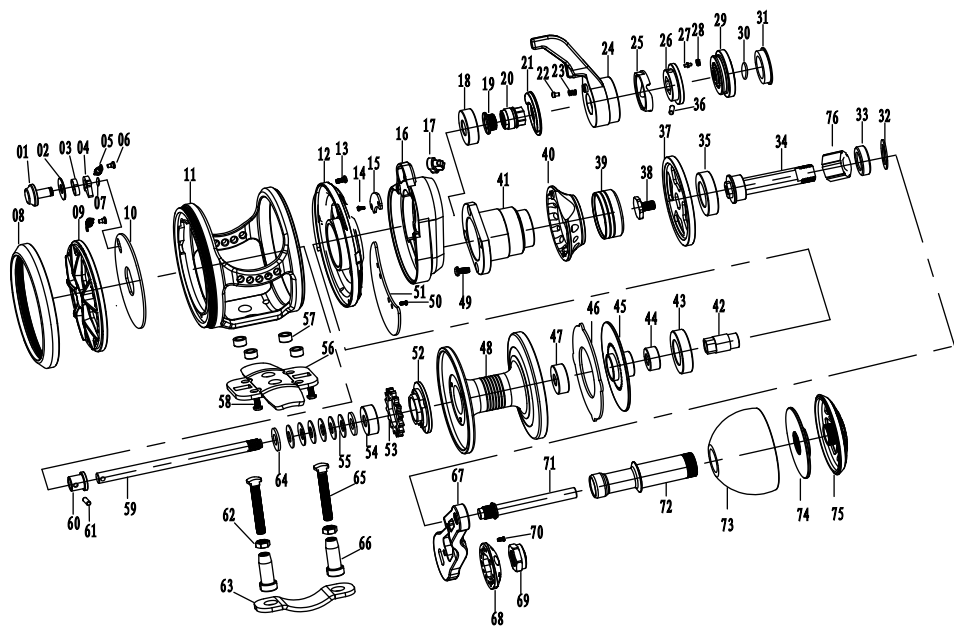
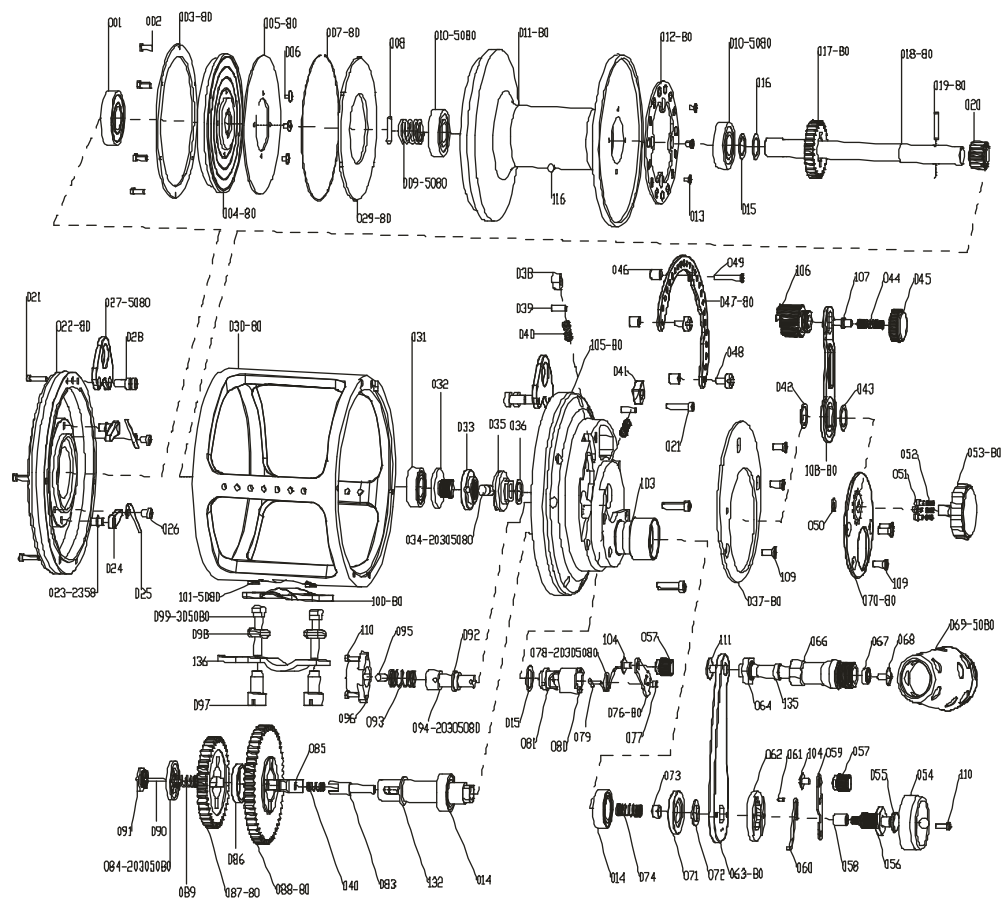


GOMEXUS EX



1	Clicker pin	26	Cam Cover	51	Gear Cover	76	one-way bearing
2	Washer	27	pronunciation nail	52	Rod Mount drevepipe	77	
3	plastic circlip	28	Screw	53	Rod Mount gear	78	
4	Clicker	29	Adjustment Knob	54	bearing	79	
5	Spring	30	E circlip	55	convex gasket	80	
6	Screw	31	Adjustment Knob Cover	56	Rod Mount(clamp style)		
7	E circlip	32	lever arm washer	57	Rod Mount drevepipe		
8	Back cover	33	bearing	58	Screw		
9	Magnet twist	34	drive shaft	59	Spool Shaft		
10	Corbon gasket	35	bearing	60	shaft drevepipe		
11	Body	36	Cam Cover pin	61	shaft pin		
12	Cover-1	37	drive gear	62	Screw		
13	Screw	38	Screw	63	Rod Mount Lock washer		
14	Screw	39	Decorated Cover	64	washer		
15	Washer	40	Cover cap	65	Screw		
16	Cover-2	41	one-way bearing cover	66	Screw		
17	Strike bottom	42	Pinion	67	Lever-Arm		
18	bearing	43	bearing	68	Lever-Arm Washer		
19	Screw	44	bearing	69	Lever-Arm Screw		
20	Screw	45	Drag Plate	70	Screw		
21	Pronunciation Base	46	carbon brake pads	71	Handle Shoulder Shaft		
22	pronunciatiion nail	47	bearing	72	Shank Casing		
23	Spring	48	Spool	73	EVA-Handle		
24	Drag Lever	49	Screw	74	Handle-pincher screw		
25	Drag Cam	50	Screw	75	Handle-pincher cover		

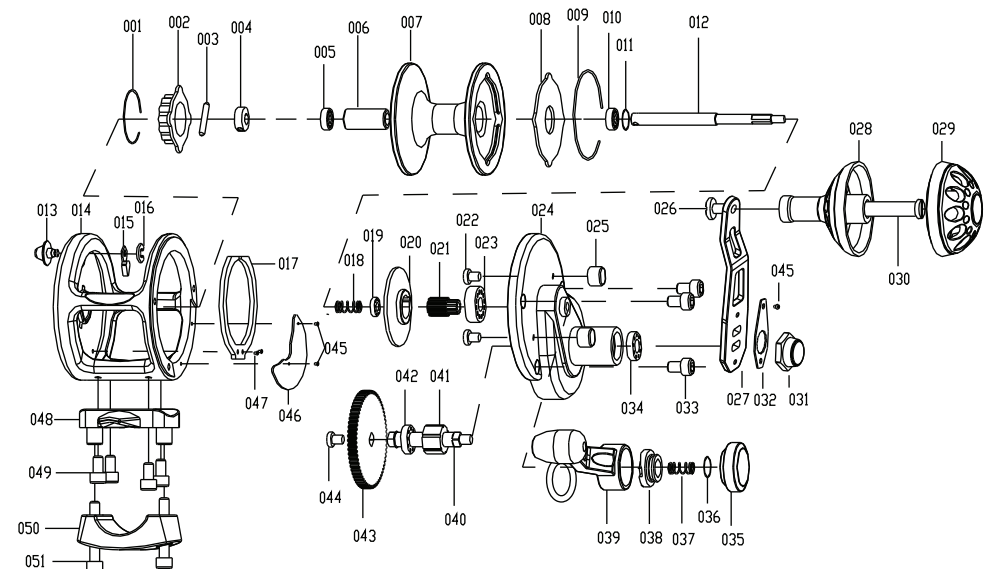
GOMEXUS HX



Part NO.	Part Name	Part NO.	Part Name	Part NO.	Part Name	Part NO.	Part Name
SS-001	Left Plate Ball Bearing	AL-030	Frame Housing	SS-059	Slide Plate	SS-088	Drive Gear (Fast)
SS-002	Cooling Shield Screws	SS-031	Right Plate Ball Bearing	SS-060	Slide Plate Sping	SS-089	Shaft Insert Sping
AL-003	Cooling Shield	BR-032	Pre-Program Screws	SS-061	Push Button Pin	SS-090	Shaft Insert Screw
AL-004	Pressure Plate	BR-033	Pre-Program Key	AL-062	Button Plate	BR-091	Drive Shaft (Slim)
GB-005	Drag Carbon Washer	SS-034	Pre-Program Pin	BR-063	Handle	PS-092	Alert Slide Washer
SS-006	Drag Washer Screws	BR-035	Lever Shaft Body	SS-064	T-knob Pin	SS-093	Alert Spring
SS-007	Alert Washer	SS-036	Lever Shaft Waher	SS-065	T-knob Pin Washer	SS-094	Alert Plunger
SS-008	Pressure Spring Pin	SS-037	Lever Quadrant	SS-066	T-knob Pin Tube	SS-095	Alert Plunger Pin
SS-009	Pressure Spring	SS-038	Spool Detent	SS-067	Knob Ball Bearing A	PS-096	Alert Socket
SS-010	Spool Ball Bearing	SS-039	Spool Detent Pin	SS-068	Knob Ball Bearing Screw	BR-097	Stand Seat Screws
AL-011	Machined Cut Spool	SS-040	Spool Detent Sping	AL-069	Perfect Knob	BR-098	Stand Seat Nut
SS-012	Alert Ratchet	SS-041	Strike Stop	SS-070	Knob Ball Bearing B	BR-099	Stand Seat Screws
SS-013	Alert Ratchet Screws	TF-042	Lever Thrust Ring A	SS-071	BB Pressure Cover	SS-100	Stand Seat Plate
SS-014	Handle Ball Bearing	PS-043	Lever Thrust Ring B	SS-072	Ball Bearing Washer	SS-101	Stand Seat Washer
SS-015	Spool Washer A	SS-044	Sound Pin Spring	SS-073	Speed Drive Shield	SS-102	Wrench
SS-016	Spool Washer B	BR-045	Pin Cap	SS-074	Speed Spring	SS-103	Ball Bearing Cushion
SS-017	Spool Drive Gear (Slow)	SS-046	Locator Shaft	BR-075	Strike Alert Lever Nut	SS-104	Strick Alert lever Screw
SS-018	Main Shaft	SS-047	Locator	SS-076	Strike Alert Lever	AL-105	Right Side Plate Cover
SS-019	Cross Pin	BR-048	Locator Screw A	SS-077	Strike Alert Lever Pin	BR-106	Drag Control Sound Nut
SS-020	Spool Drive Gear (Fast)	SS-049	Locator Screw B	SS-078	Cross Pin Sping	SS-107	Drag Control Sound Pin
SS-021	Metal Plate Screws	SS-050	E-shape Lock	SS-079	Alert Ratchet Pin	SS-108	Drag Control Lever
SS-022	Left Side Plate Cover	SS-051	Dial Click Shoe	PS-080	Alert Pin Out Suoport	SS-109	Cover Screws
SS-023	Set Plate Pin	SS-052	Friction Shoe Sping	BR-081	Alert Pin Inside Suoport	SS-110	Alert Socket Screws
SS-024	Clicker Pawl	SS-053	Pre-Program Dial	SS-082	Drive Shaft Holder	SS-111	Screws
SS-025	Spring	AL-054	Button Shield	BR-083	Bar Stop	SS-112	Spare Parts
SS-026	Spring Screws	SS-055	Push Button Shaft	BR-084	Friction Washer	SS-113	Washer
SS-027	Harness Lugs	SS-056	Push Button Out Nut	BR-085	Gear Cross Bar	SS-114	Spool Washer
SS-028	Harness Lugs Screws	BR-057	Push Button Cap	PS-086	Friction Washer	SS-115	Pre-Load Spring
SS-029	Drag Plate	BR-058	Push Button Inside Nut	SS-087	Drive Gear (Slow)	SS-116	Spool Line Pin

REMARKS: This product should be tested and repaired by professional, but any of the other curbstone people is forbidden to take apart of the parts.
SS-stainless steel material, TF-teflon material, BR-brass, AL-aircraft aluminum, GB-carbon fiber, PS-hard plastic.

GOMEXUS TX



001	Clicker Gear Retainer Ring	018	Brake Spring	035	Preset Knob
002	Clicker Gear	019	Brake Bearing	036	Lever Arm Washer
003	Pin	020	Brake Disk	037	Lever Arm Sping
004	Washer	021	pinion	038	Male Cam
005	Spool Bearing	022	Screw	039	Lever Arm
006	Spool Tube	023	Brake Bearing	040	Drive Shaft
007	Spool(10W 15W)	024	End Housing	041	One-way Bearing
008	Brake Pad	025	Stop Pin	042	Drive Shaft Bearing
009	Brake Pad Retainer Ring	026	Hand Screw	043	Drive Gear
010	Spool Bearing	027	Crank Arm	044	Drive Gear Screw
011	Washer	028	Handle Front Cover	045	Gear Cover
012	Spool Shaft(10W 15W)	029	Handle Back Cover	046	Cover Screw
013	Clicker pin	030	Handle Shoulder Bolt	047	Shrapnel Screw
014	Main Housing(10W 15W)	031	Arm Screw	048	Rod Mount(clamp style)
015	Clicker Arm	032	Acorn Nut	049	Rod Mount Screw
016	Pin E-Clip	033	End Housing Screw	050	Rod Mount Clamp
017	Clicker Shrapnel Volume	034	Drive Shaft Bearing	051	Clamp Screw