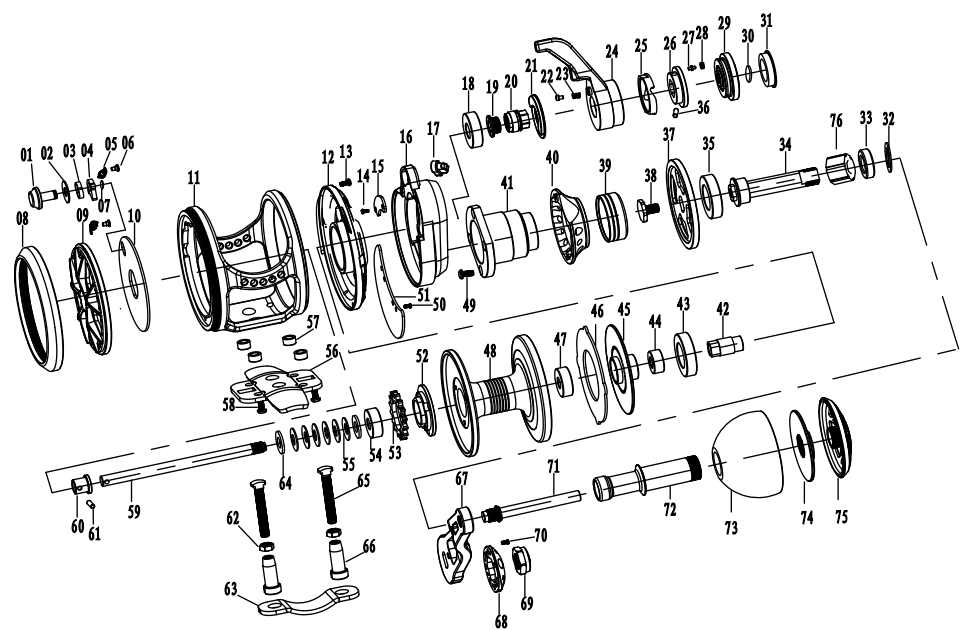
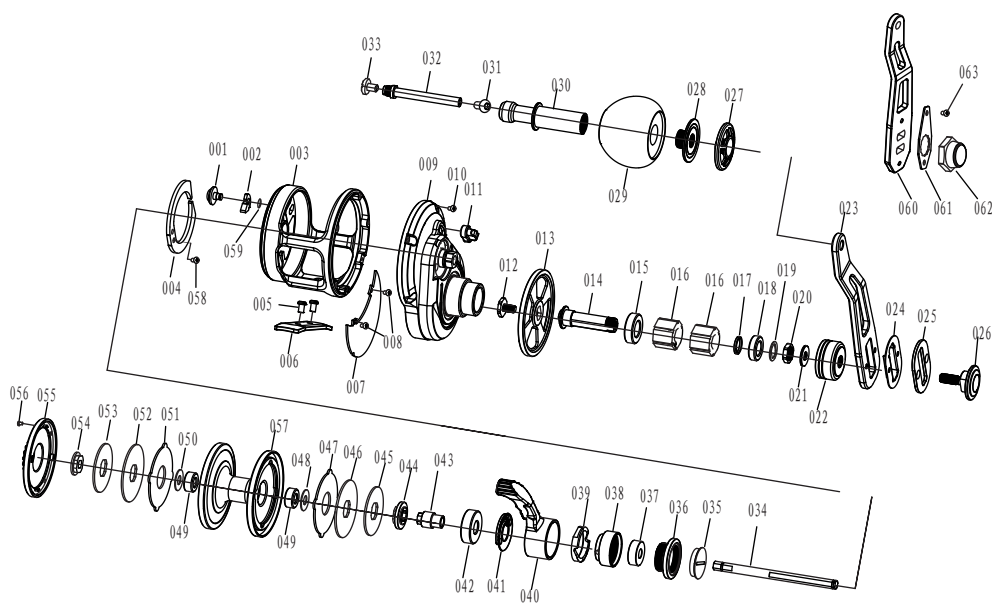


# GOMEXUS EX



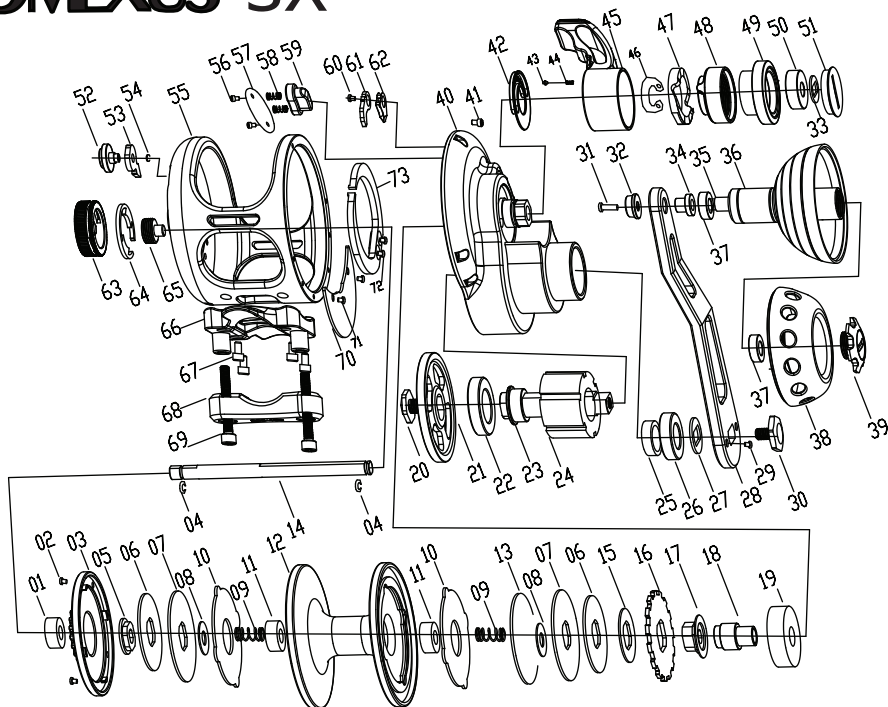
1	Clicker pin	26	Cam Cover	51	Gear Cover	76	one-way bearing
2	Washer	27	pronunciatiion nail	52	Rod Mount drevepipe	77	
3	plastic circlip	28	Screw	53	Rod Mount gear	78	
4	Clicker	29	Adjustment Knob	54	bearing	79	
5	Spring	30	E circlip	55	convex gasket	80	
6	Screw	31	Adjustment Knob Cover	56	Rod Mount(clamp style)		
7	E circlip	32	lever arm washer	57	Rod Mount drevepipe		
8	Back cover	33	bearing	58	Screw		
9	Magnet twist	34	drive shaft	59	Spool Shaft		
10	Corbon gasket	35	bearing	60	shaft drevepipe		
11	Body	36	Cam Cover pin	61	shaft pin		
12	Cover-1	37	drive gear	62	Screw		
13	Screw	38	Screw	63	Rod Mount Lock washer		
14	Screw	39	Decorated Cover	64	washer		
15	Washer	40	Cover cap	65	Screw		
16	Cover-2	41	one-way bearing cover	66	Screw		
17	Strike bottom	42	Pinion	67	Lever-Arm		
18	bearing	43	bearing	68	Lever-Arm Washer		
19	Screw	44	bearing	69	Lever-Arm Screw		
20	Screw	45	Drag Plate	70	Screw		
21	Pronunciation Base	46	carbon brake pads	71	Handle Shoulder Shaft		
22	pronunciatiion nail	47	bearing	72	Shank Casing		
23	Spring	48	Spool	73	EVA-Handle		
24	Drag Lever	49	Screw	74	Handle-pincher screw		
25	Drag Cam	50	Screw	75	Handle-pincher cover		

# GOMEXUS LX



1	Clicker pin	26	Lever-Arm Screw	51	Drag Washer B
2	Clicker E-Clip	27	Handle-pincher cover	52	Drag Plate C
3	Body	28	Handle-pincher screw	53	Drag Plate D
4	Pronunciation Base Seat	29	Bail-Handle	54	Drag positioning Washer B
5	Rod Mount Screw	30	T-Shank Casing	55	Clicker Gear
6	Rod Mount(clamp style)	31	T-Handle Screw	56	Clicker Gear Screw
7	Gear Cover	32	T-Handle Shoulder Shaft	57	Spool
8	Gear Cover Screw	33	T-Handle Shoulder Shaft Screw	58	Clicker Gear Screw
9	Cover	34	Spool Shaft	59	E circlip
10	Cover Screw	35	Adjustment Knob Cover	60	Lever-Arm
11	Strike bottom	36	Adjustment Knob	61	Lever-Arm Washer C
12	Drive Shaft Screw	37	Cam Bearing	62	Lever-Arm Screw
13	Drive Gear	38	Cam Cover	63	Clicker Gear Screw
14	Drive Shaft	39	Drag Cam	64	
15	Bail Bearing A	40	Drag Lever	65	
16	One-Way Bearing	41	Pronunciation Base	66	
17	Orientation Washer	42	Spool Bearing A	67	
18	Bail Bearing B	43	Pinion	68	
19	Spring Washer	44	Drag Positioning Washer A	69	
20	Nut	45	Drag Plate A	70	
21	Washer	46	Drag Plate B	71	
22	Decorated Cover	47	Drag Washer A	72	
23	Lever-Arm	48	Washer A	73	
24	Lever-Arm Washer A	49	Spool Bearing B	74	
25	Lever-Arm Washer B	50	Washer B	75	

# GOMEXUS SX



001	Bearing	020	Cam Bearing	039	Lever Arm Screw C
002	Clicker Gear Screw	021	Adjustment knob Cover	040	Handle Back Cover
003	Clicker Gear	022	Clicker Pin	041	Handle Shoulder Shaft
004	Pin E-Clip	023	Main Housing	042	Handle Front Cover
005	Drag Positioning Washer A	024	Clicker Arm	043	One-way Bearing
006	Drag Plate A	025	Clicker Arm Screw	044	Drive Shaft Bearing B
007	Drag Plate B	026	Gear Cover	045	Drive Shaft
008	Washer	027	Gear Cover Screw	046	Drive Gear
009	Drag Spring	028	Clamp Screw	047	Drive Gear Screw
010	Drag Washer	029	Drag Positioning Washer B	048	Rod Mount(clamp style)
011	Spool Bearing	030	pinion	049	Rod Mount Screw
012	Spool	031	pinion Bearing	050	Rod Mount Clamp
013	Drag Retainer Ring	032	Side Cover	054	Pronunciation Base
014	Spool Shaft	033	Side Cover Screw	055	Pronunciation Nail
015	Drag Lever	034	Drive Shaft Bearing A	056	Pronunciation Spring
016	Drag Cam	035	Drive Shaft Bearing Washer	057	Drag Lever Pin E-Clip
017	Drag Pin	036	Lever Arm Screw A	058	Spindle Sleeve
018	Cam Cover	037	Lever Arm	059	Clicker Arm Screw
019	Adjustment Knob	038	Lever Arm Screw B	060	Pronunciation Base