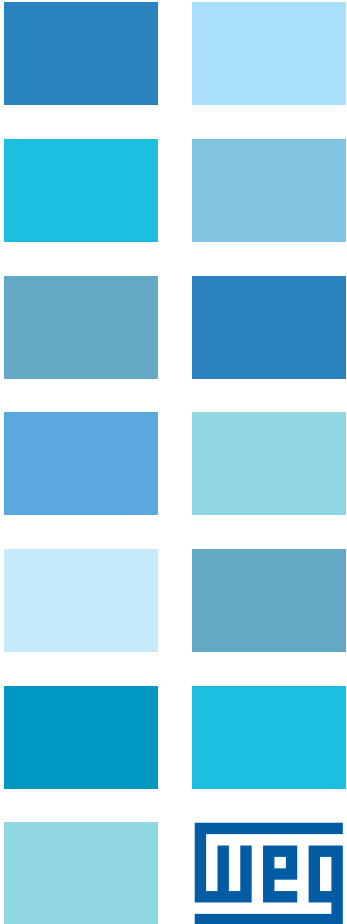
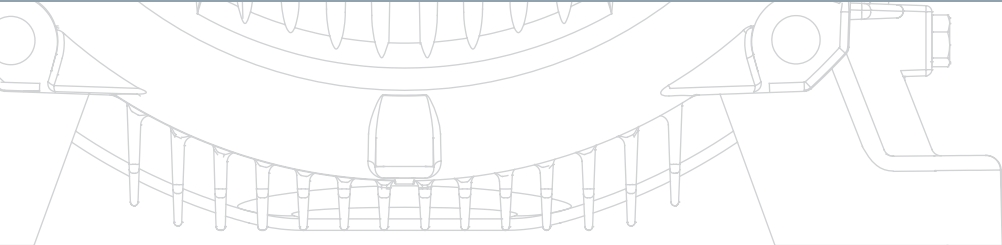
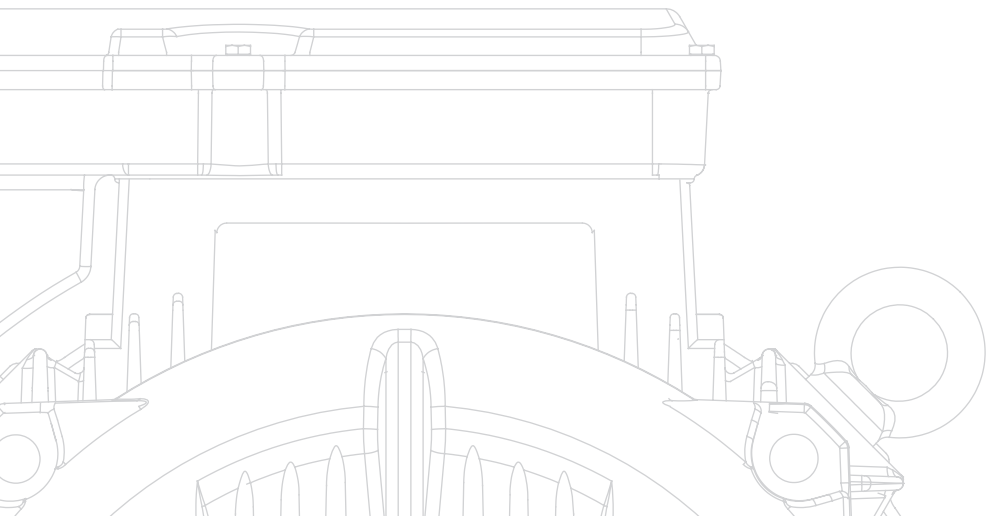


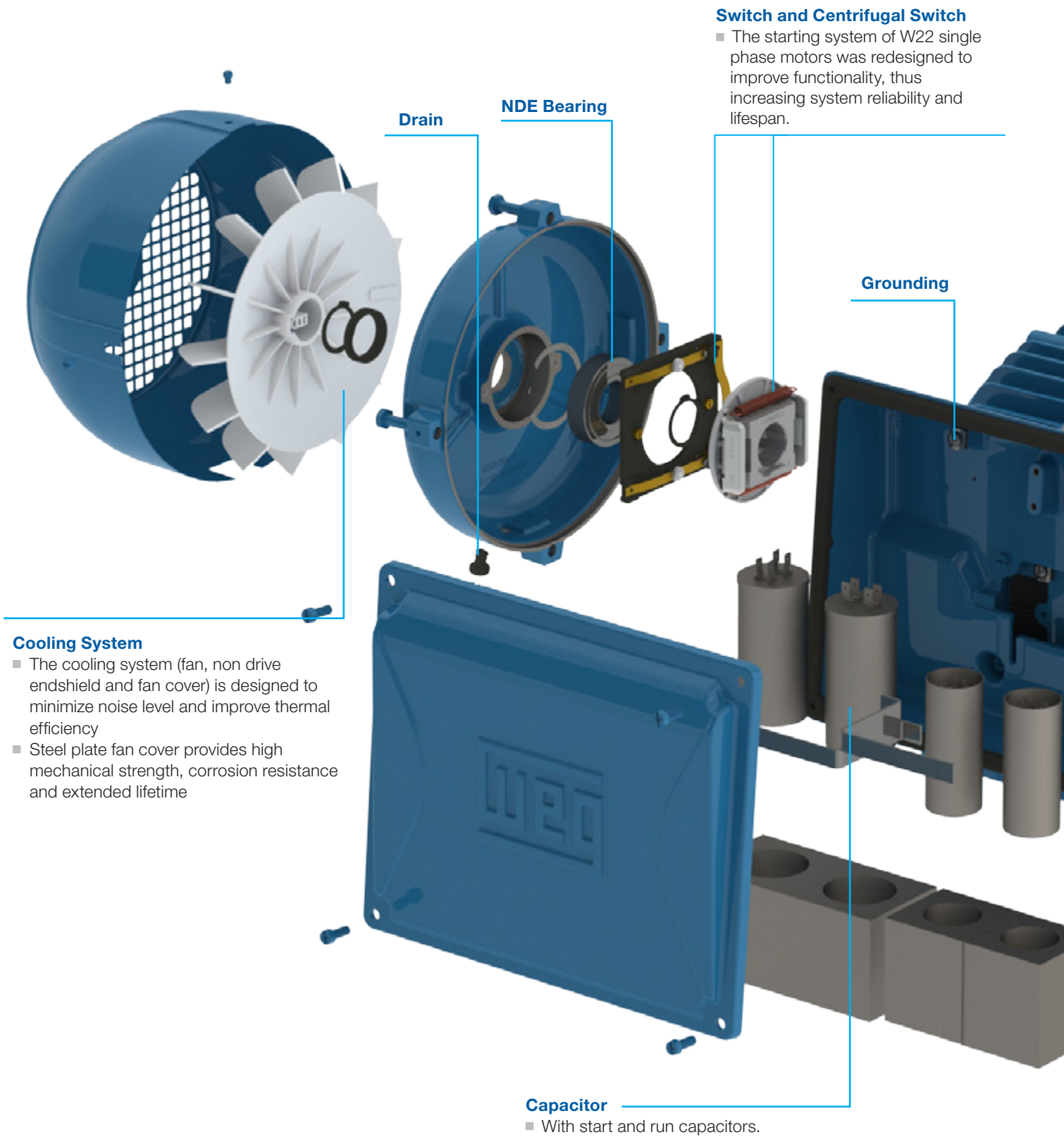
W22 & W01

Single-Phase Integral
Horsepower Motors

NEMA Market



W22 Single-Phase Motors



Nameplate

- Stainless steel nameplate detailing complete and permanent record of all motor data.

Cast Iron Frame

- FC-200 (EN GJL 200) cast iron frames meeting impact level IK08 (5J) ensuring superior mechanical strength for the most demanding applications
- Solid motor feet providing excellent rigidity, allowing easier alignment and installation

Shaft

- AISI 1040/45 carbon steel providing high mechanical strength and minimizing bending under load and fatigue

DE Bearing

Stator Winding

- Low loss magnetic steel laminations, thermally and chemically treated to improve efficiency and minimize mechanical stress
- Windings with class 'H' enamelled wire, impregnated with solvent free polyester resin

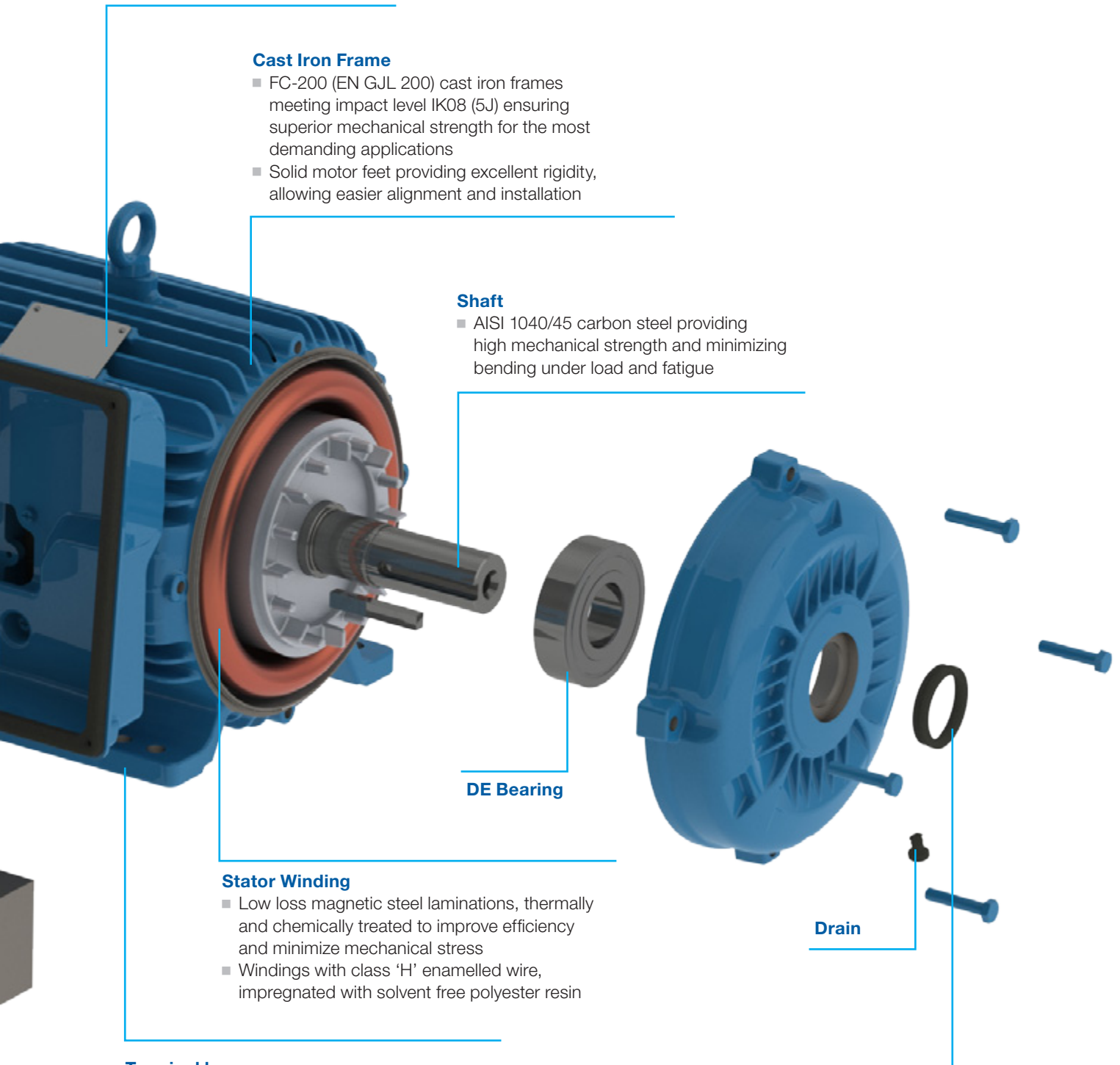
Drain

Terminal box

- Manufactured in cast iron.
- Can be rotated in steps of 90°, allowing more flexibility for leads inlet positioning in a standard stock product.

V-Ring Seals

- V-Ring seals to prevent ingress of liquids and dust into the motor



Features

- High starting torque
- Suitable for domestic and rural power supply conditions
- Adaptable design suitable for a variety of applications and needs

Standard

- Rated output: 1 up to 12.5 HP
- Number of poles: 2, 4 and 6
- Frame sizes: 143/5T up to 213/5T
- Voltage: 115/208-230 V, 208-230 V or 208-230/460 V
- Frequency: 60 Hz
- Degree of protection: IP55
- Painting plan: 207A
- Frame material: Cast iron
- Mounting: F-1
- Cooling method: TEFC (Totally Enclosed Fan Cooled)
- Grounding: Single (inside the terminal box)
- Fan material: Polypropylene
- Shaft material: AISI 1040/45 Carbon steel
- Nameplate material: Stainless steel
- Color: Blue (RAL 5009)
- Insulation class: F
- Service factor: 1.15

Optional

- Other voltages
- Insulation class: H
- Degree of Protection: IP56 and above
- Thermal protection
- Other mounting forms / terminal box positions
- Flange C and D
- Stainless steel shaft
- Terminal block
- Undersized terminal box (For frames 143/5T)*

*Only by request

Applications

- Fans and Blowers
- Centrifugal pumps
- Compressors
- Grain Dryers
- High Pressure Washers
- Silo Unloaders and Augers
- Conveyors / Materials Handling
- Catfish Pond Aerators
- Grinding Machines



Electrical Data

W22 Single-Phase - CSR (Starting and Run Capacitor) - Torque above 200%

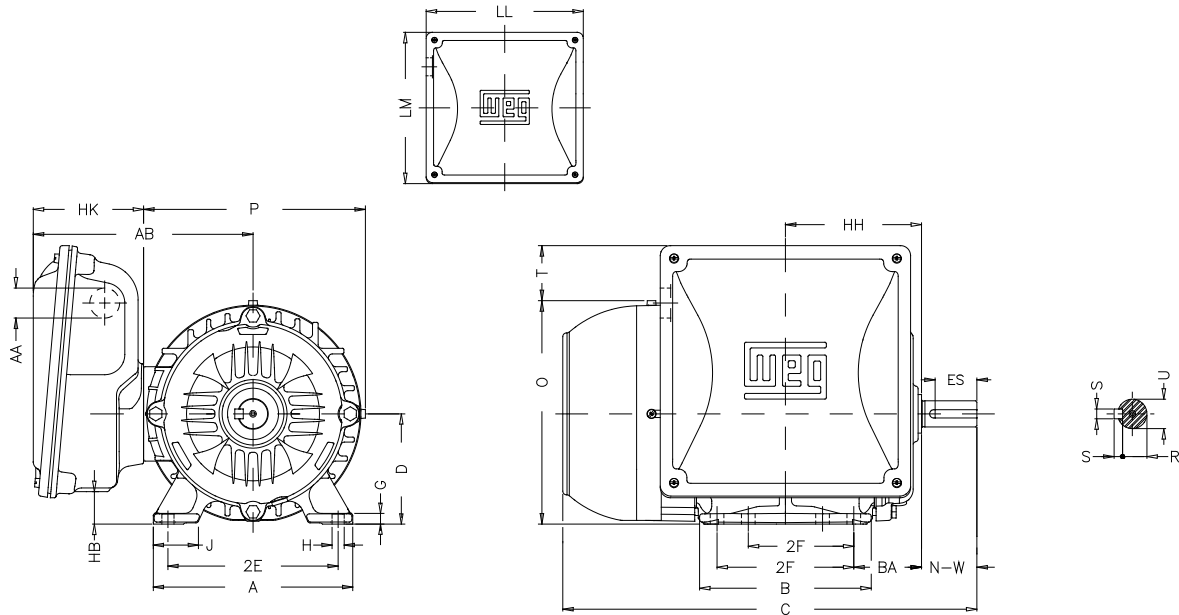
Output		Frame	Full load torque (ft.lb)	Locked rotor current		Locked rotor torque TI/Tn	Break-down torque Tb/Tn	Inertia J (sq.ft.lb)	Allowable locked rotor time (s)	Weight (lb)	Sound dB(A)	Service factor	230 V								
				Code	ll/n								Rated speed (rpm)	% of full load			Full load current In (A)				
														Efficiency				Power factor			
HP	kW												50	75	100	50	75	100			
II Poles																					
1	0.75	143/5T	1.46	L	8.5	2.3	2.7	0.0527	7	50.7	69.0	1.15	3540	58.0	67.0	70.0	0.95	0.96	0.97	4.80	
1.5	1.1	143/5T	2.21	J	7.3	2.3	2.4	0.0470	11	52.9	69.0	1.15	3520	67.0	72.0	74.0	0.91	0.94	0.95	6.80	
2	1.5	143/5T	2.94	K	8.0	2.4	2.8	0.0527	7	55.1	69.0	1.15	3530	66.0	74.0	77.0	0.87	0.92	0.94	9.00	
3	2.2	143/5T	4.43	H	7.2	2.2	2.4	0.0664	7	60.6	69.0	1.15	3510	72.5	76.0	78.5	0.96	0.97	0.97	12.5	
5	3.7	182/4T	7.37	G	7.1	2.8	2.5	0.2164	7	108	72.0	1.15	3515	80.0	84.0	85.5	0.96	0.99	0.99	19.0	
7.5	5.5	182/4T	11.1	H	7.5	2.8	2.6	0.2164	9	115	72.0	1.15	3505	79.0	83.5	85.5	0.99	0.99	0.99	28.3	
10	7.5	213/5T	14.7	G	7.0	2.3	2.9	0.5285	8	165	72.0	1.15	3515	82.0	85.5	86.5	0.96	0.97	0.97	38.8	
12.5	9.2	213/5T	18.5	G	7.3	2.1	2.8	0.6763	8	183	72.0	1.15	3510	86.0	88.0	88.5	0.98	0.98	0.98	46.0	
High-Output Design																					
3	2.2	182/4T	4.42	H	7.7	2.5	2.6	0.1571	9	94.8	72.0	1.15	3520	80.0	83.0	84.0	0.97	0.98	0.98	11.6	
7.5	5.5	213/5T	11.1	G	7.2	2.8	2.9	0.5550	7	165	72.0	1.15	3510	81.5	85.5	86.5	0.99	0.99	0.99	28.0	
IV Poles																					
1	0.75	143/5T	3.11	M	8.4	2.7	3.0	0.1303	7	50.7	58.0	1.15	1665	59.0	68.0	72.0	0.69	0.79	0.85	5.32	
1.5	1.1	143/5T	4.43	K	8.0	2.6	2.3	0.1628	6	61.7	58.0	1.15	1755	65.0	73.0	77.0	0.90	0.92	0.92	6.76	
2	1.5	143/5T	5.94	J	7.4	2.7	2.4	0.1497	8	61.7	58.0	1.15	1745	68.5	75.5	78.5	0.81	0.87	0.91	9.12	
3	2.2	182/4T	8.91	K	7.7	2.9	2.7	0.3735	8	103	60.0	1.15	1745	65.0	74.0	77.0	0.79	0.87	0.90	13.8	
5	3.7	182/4T	15.0	H	6.5	3.0	2.4	0.4357	7	116	60.0	1.15	1730	72.5	78.5	80.0	0.89	0.93	0.94	21.4	
7.5	5.5	213/5T	22.3	H	7.0	3.3	2.5	1.09	7	176	63.0	1.15	1740	76.0	81.0	82.5	0.89	0.93	0.95	30.6	
10	7.5	213/5T	29.8	G	6.7	2.6	2.5	1.15	13	191	63.0	1.15	1740	78.0	82.0	82.5	0.90	0.95	0.97	40.8	
12.5	9.2	213/5T*	37.2	J	7.2	2.5	2.4	1.29	6	205	63.0	1.15	1740	77.0	81.5	82.5	0.75	0.84	0.89	54.4	
High-Output Design																					
2	1.5	182/4T	5.96	J	7.4	2.9	2.3	0.2957	8	93.7	60.0	1.15	1740	69.0	76.5	80.0	0.96	0.97	0.97	8.40	
5	3.7	213/5T	14.8	H	6.7	3.3	2.6	0.7124	7	148	63.0	1.15	1745	72.5	78.5	80.0	0.90	0.93	0.94	21.4	
VI Poles																					
1	0.75	143/5T	4.43	K	6.3	2.0	2.4	0.1561	15	110	58.0	1.15	1170	59.6	68.2	70.0	0.70	0.78	0.83	5.60	
1.5	1.1	182/4T	6.56	M	8.2	2.5	3.2	0.5657	10	132	60.0	1.15	1185	58.4	67.3	72.0	0.62	0.72	0.78	8.50	
2	1.5	182/4T	8.78	L	8.0	2.4	2.7	0.5223	14	132	60.0	1.15	1180	65.2	73.0	77.0	0.72	0.81	0.85	10.0	
3	2.2	213/5T	13.3	J	7.5	2.1	2.1	1.28	5	135	63.0	1.15	1170	69.3	76.7	80.0	0.93	0.96	0.96	12.4	
5	3.7	213/5T	22.0	J	8.4	2.2	2.5	1.98	14	169	63.0	1.15	1175	78.9	83.9	82.5	0.91	0.94	0.94	20.7	
High-Output Design																					
2	1.5	213/5T	8.78	K	8.1	2.6	2.3	1.05	6	135	63.0	1.15	1180	67.2	75.2	78.5	0.89	0.93	0.95	8.70	

Notes:

- (*) Motor with class F (105 K) temperature rise.
- (**) Values subjected to change without previous advise.

Mechanical Data

Frames 143 up to 215 - General purpose



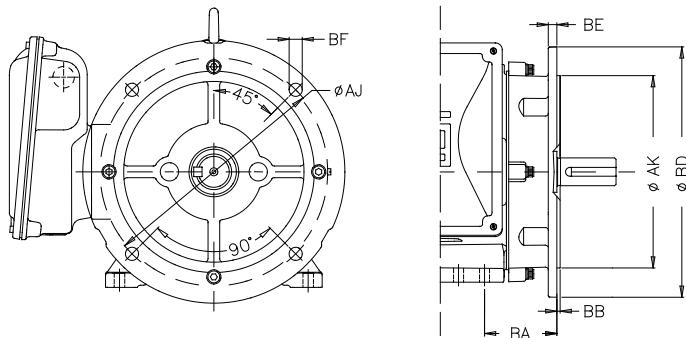
Frame	A	AB	D	2E	G	H	HB	HK	J	P	B	BA	C
143/5T	6.457	7.126	3.500	5.500	0.354	0.340	1.043	3.583	1.457	7.244	6.142	2.250	14.490
182/4T	8.661	8.110	4.500	7.500	0.394	0.410	1.574	3.700	1.614	8.937	6.969	2.750	17.012
213/5T	9.764	9.244	5.250	8.500	0.669		2.362		1.791	10.787	8.858	3.500	19.462

Frame	2F	HH	O	T	LL	LM	AA	Shaft					Bearing	
								N-W	ES	R	S	U	DE	NDE
143/5T	4.000	4.750	7.122	1.779	8.700	8.110	NPT 3/4"	2.250	1.575	0.766	0.187	0.875	6205 ZZ	6203 ZZ
182/4T	4.500	5.500	8.897	2.218	9.685	9.134	NPT 1"	2.750	1.969	0.984	0.250	1.125	6207 ZZ	6206 ZZ
213/5T	5.500/7.000	7.000	10.840	1.773				3.375	2.480	1.203	0.313	1.375	6308 ZZ	

Notes:

1) Motor with 5 capacitors.

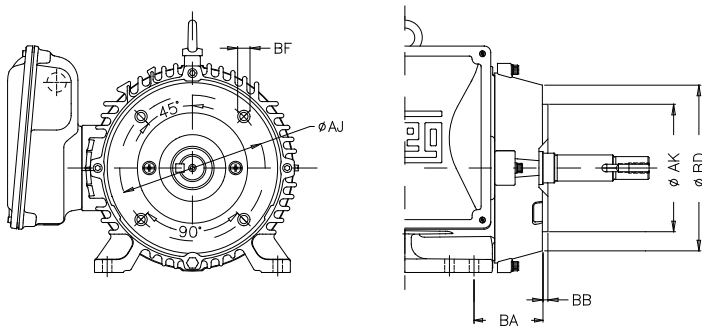
Flange "D"



Frame	Flange	AJ	BF	AK	BD	BB	BE	BF Number
143/5T	D-254	10.000	0.551	9.000	11.000	0.197	0.472	4
182/4T							0.433	
213/5T							0.512	

Other dimensions, that there are not in table above, are the same as shown on standard table - page 6.

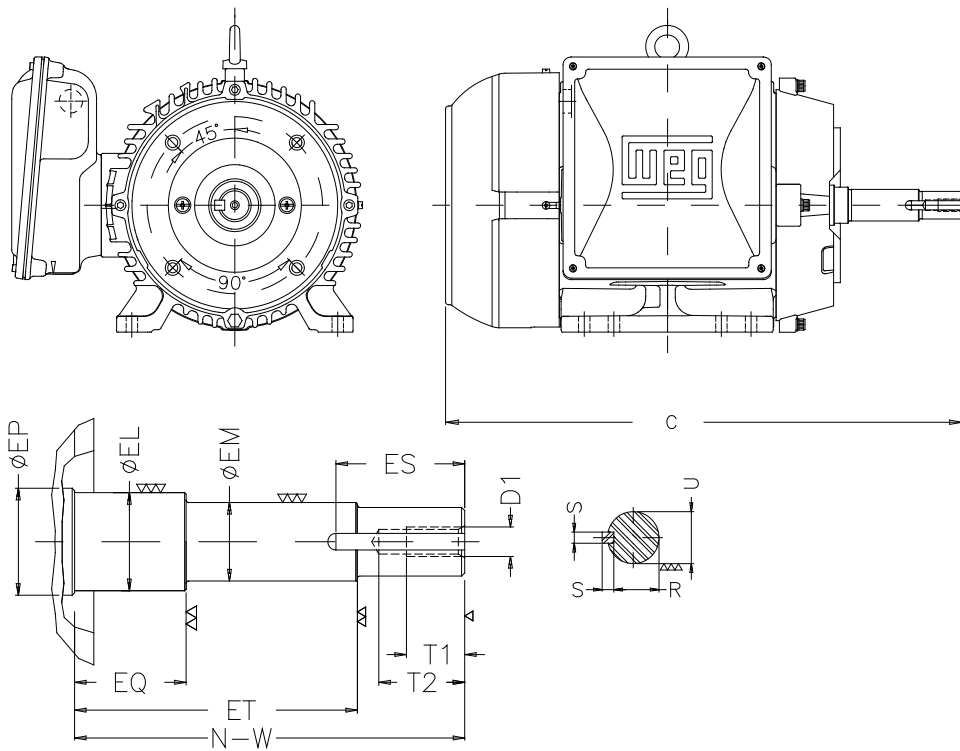
Flange “C”



Frame	Flange	AJ	BF	AK	BD	BB	BF Number	BA
143/5T	FC-149	5.875	UNC 3/8"x16	4.500	6.496	0.157	4	2.598
182/4T		5.875	UNC 3/8"x16	4.500	6.496	0.157		2.750
213/5T	FC-184	7.250	UNC 1/2"x13	8.500	8.858	0.250		3.500

Other dimensions, that there are not in table above, are the same as shown on standard table - page 6.

Frames 143 up to 215 - JM/JP



Frame	Shaft JM											C			
	N-W	ET	EQ	T1	T2	EL	EM	EP	ES	D1	R	S	U	JM	JP
143/5T	4.258	2.880	0.630	0.748	1.102	1.156	1.000	1.179	1.575	EUNC 3/8"-16	0.766	0.187	0.875	16.811	19.882
182/4T						1.250		1.376			0.767			18.543	21.614
213/5T						1.770		0.768			0.874			24.212	24.212

Frame	Shaft JP											Bearing			
	N-W	ET	EQ	T1	T2	EL	EM	EP	ES	D1	R	S	U	DE	NDE
143/5T	7.319	5.941	1.563	0.748	1.102	1.156	1.000	1.179	1.575	EUNC 3/8"-16	0.766	0.187	0.875	6206 ZZ	6203 ZZ
182/4T						1.250		1.376			0.767			0.874	6307 ZZ
213/5T						1.750		1.375			1.770			2.480	EUNC 1/2"-13

Other dimensions, that there are not in table above, are the same as shown on standard table - page 6.

W01 Single-Phase Integral Motors TEFC

Cooling System

- An external radial fan made of polypropylene or steel plate is mounted on the NDE shaft and protected by the fan cover.

Switch and Centrifugal Switch

- The concept of the switch with its reduced size avoids the strain of the component while the centrifugal switch ensures its opening in precise speed.

Bearings

- The standard motors are double shielded ball bearings (ZZ type) lubricated with Mobil Polirex EM grease for its entire lifetime.

Grounding terminal

- The W01 motors are fitted with grounding terminal inside the terminal box.

Drain

Capacitors

- With start and run capacitors.

Terminal box

- Manufactured in die cast aluminum.
- Internal usable volume exceeding the requirements of NEMA MG-1.
- Can be rotated in steps of 90°, allowing more flexibility for leads inlet positioning in a standard stock product.



Nameplate

- Label detailing complete and permanent record of all motor data.

Rolled Steel Frame

- Produced in steel plate and covered with a nanoceramic coating as standard.

Stator winding

- Low loss magnetic steel laminations, thermally and chemically treated to improve efficiency and minimize mechanical stress
- Windings with class 'F' enamelled wire, impregnated with solvent free polyester resin

Endshields

- In accordance with market trends, endshields are produced in die cast aluminum, providing great mechanical strength, lightweight and corrosion resistance.

Shaft

- The standard shaft material is AISI 1040/45 steel, and with an A type key provided.

Bearings

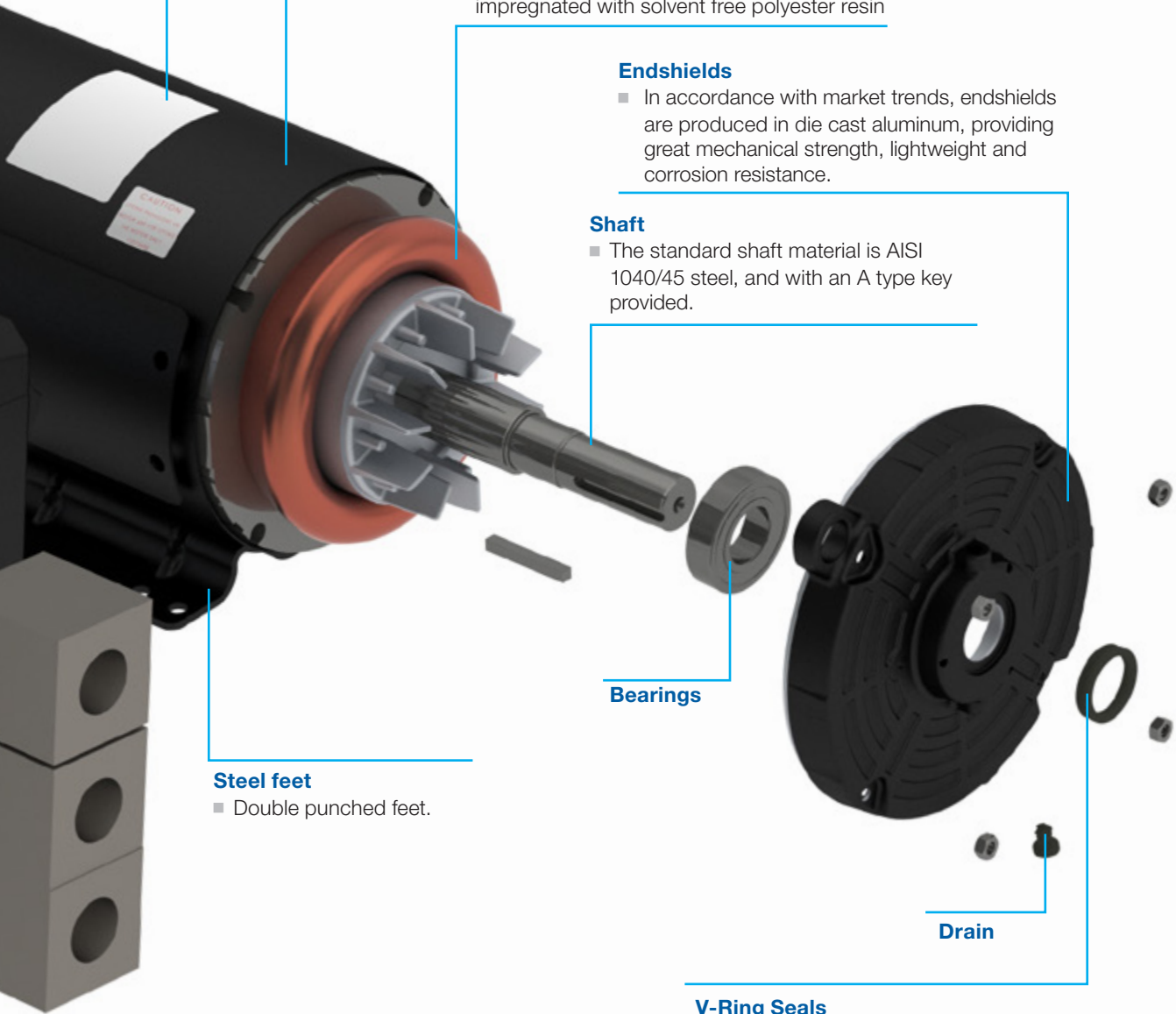
Steel feet

- Double punched feet.

Drain

V-Ring Seals

- V-Ring seals to prevent ingress of liquids and dust into the motor.



W01 Single-Phase Integral Motors ODP

Cooling System

- The ODP motors have internal radial fans composed by the aluminum fins on the rotor and internal baffles to guide the airflow. The air flows from outside through the endshields inlets going expelled by the frame outlets.



Internal baffle

Switch and Centrifugal Switch

- The concept of the switch with its reduced size avoids the strain of the component while the centrifugal switch ensures its opening in precise speed.



Grounding terminal

- The W01 Rolled Steel motors are fitted with grounding terminal at NDE endshield.

Nameplate

- Label detailing complete and permanent record of all motor data.

Steel feet

- Produced in steel plate.



Dog House

- Motors can be supplied with dog house to protect capacitors.

Capacitor

- With start and run capacitors.

Stator winding

- Low loss magnetic steel laminations, thermally and chemically treated to improve efficiency and minimize mechanical stress
- Windings with class 'F' enamelled wire, impregnated with solvent free polyester resin

Endshields

- In accordance with market trends, endshields are produced in die cast aluminum, providing great mechanical strength, lightweight and corrosion resistance.

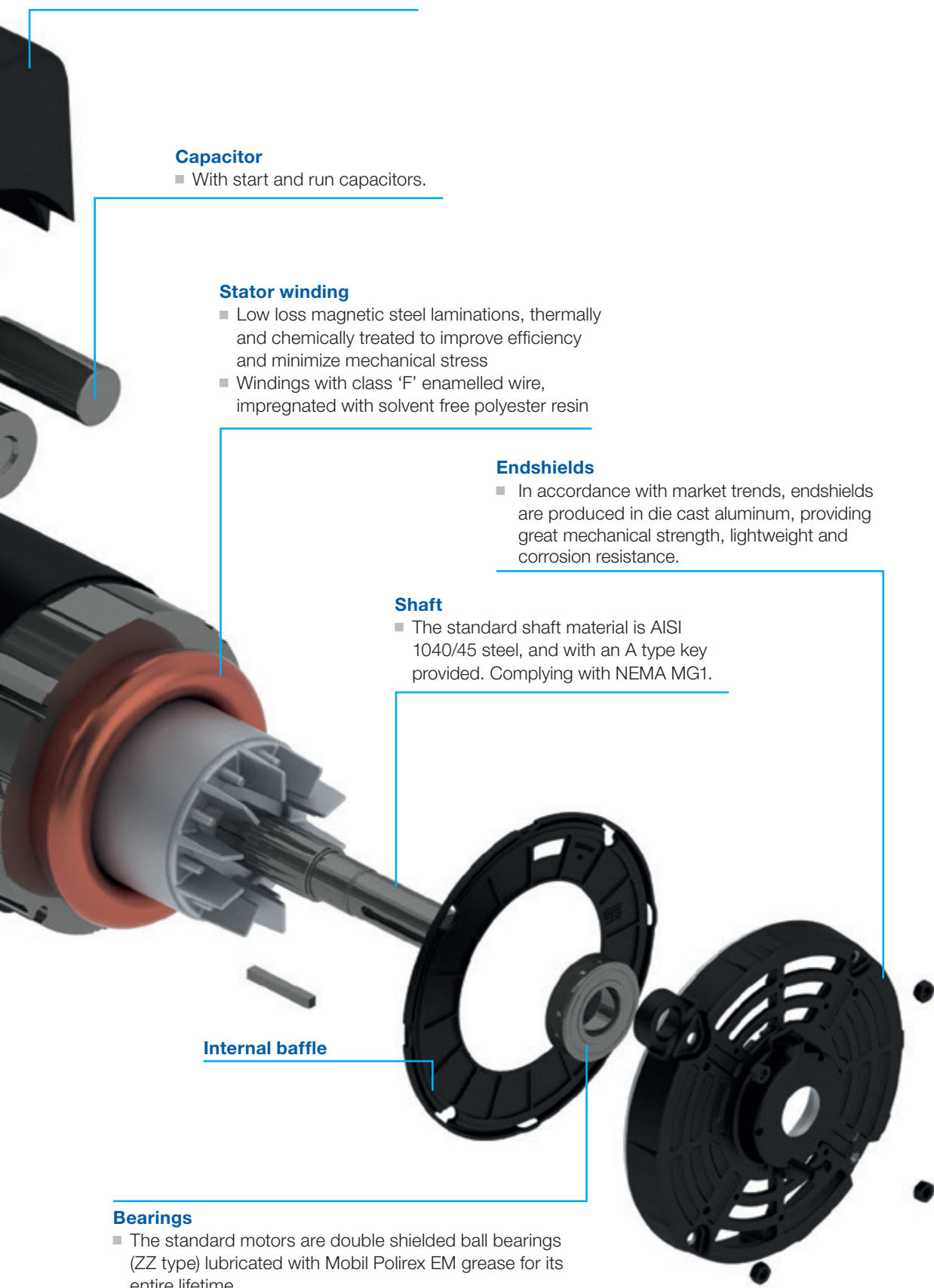
Shaft

- The standard shaft material is AISI 1040/45 steel, and with an A type key provided. Complying with NEMA MG1.

Internal baffle

Bearings

- The standard motors are double shielded ball bearings (ZZ type) lubricated with Mobil Polirex EM grease for its entire lifetime.



Features

- High starting torque
- Suitable for domestic and rural power supply conditions
- Adaptable design suitable for a variety of applications and needs

Standard

- Rated output: 1 up to 15 HP
- Number of poles: 2 and 4
- Frame sizes: 143T up to 215T
- Voltage: 115/208-230 V, 208-230 V or 208-230/460 V
- Frequency: 60 Hz
- Degree of protection: IP55
- Painting plan: 207N
- Frame material: Rolled Steel
- Mounting: F-1
- Cooling method: TEFC (Totally Enclosed Fan Cooled)
- Grounding: Single (inside the terminal box)
- Fan material: Polypropylene
- Shaft material: AISI 1040/45 Carbon steel
- Nameplate material: Vinyl self-adhesive
- Color: Flat Black (Munsell N1)
- Insulation class: F
- Service factor: 1.15
- Certification - CSA/UL certification is available for motors without thermal protection

Optional

- Other voltages
- Degree of Protection IP56
- Thermal protection
- Other mounting forms
- Flanges C
- Stainless steel shaft

Applications

- Fans and Blowers
- Centrifugal pumps
- Compressors
- Grain Dryers
- High Pressure Washers
- Silo Unloaders and Augers
- Conveyors / Materials Handling
- Grinding Machines



Electrical Data

W01 General Purpose - TEFC - Single-Phase - Torque above 210%

Output		Frame	Full Load Torque (ft.lb)	Locked Rotor Current		Locked Rotor Torque Tl/Tn	Break-down Torque Tl/Tn	Inertia J (sq.ft.lb)	Allowable locked rotor time (s)	Weight (lb)	Sound dB(A)	Service Factor	230 V									C (inches)			FC (inches)	
				Code	II/In								Rated speed (rpm)	% of full load			Full load current In (A)									
														Efficiency				Power Factor								

HP	kW	General	JM	JP	General	JM/JP																			
1.5	1.1	143/5T	2.22	K	8.0	2.4	2.5	0.0589	7	32.0	68.0	1.15	3500	66.0	73.0	75.0	0.92	0.95	0.97	6.60	13.97	16.102	19.173	8.268	8.268
2	1.5	143/5T	2.96	J	7.8	2.2	2.5	0.0707	6	35.3	68.0	1.15	3495	70.0	75.0	77.0	0.94	0.97	0.97	8.73	14.365	16.496	19.567	8.661	8.661
3	2.2	143/5T	4.45	J	8.0	2.1	2.5	0.0945	6	45.2	68.0	1.15	3490	76.0	79.0	80.0	0.86	0.92	0.94	12.7	15.545	17.677	20.748	9.841	9.842
5	3.7	182/4T	7.39	G	6.9	2.2	2.9	0.1644	7	79.4	72.0	1.15	3505	74.0	80.0	82.5	0.99	0.99	0.99	19.7	19.079	20.591	23.661	11.417	11.417
7.5	5.5	182/4T	11.1	G	7.2	2.6	3.0	0.2252	8	99.2	72.0	1.15	3500	80.0	84.0	85.5	0.99	0.99	0.99	28.3	19.472	20.984	24.055	11.811	11.811
10	7.5	213/5T	14.8	H	7.2	2.5	2.9	0.4862	6	137	75.0	1.15	3510	81.5	85.5	86.5	0.99	0.99	0.99	38.1	22.441	23.583	27.441	13.780	13.780
12.5	9.2	213/5T	18.5	H	7.4	2.5	3.1	0.5918	6	159	75.0	1.15	3510	84.0	86.5	87.5	0.98	0.98	0.98	46.6	22.441	23.583	27.441	13.780	13.780

High-Output Design

7.5	5.5	213/5T	11.1	G	7.1	2.2	2.7	0.4862	6	130	75.0	1.15	3515	78.5	82.5	84.0	0.98	0.99	0.99	28.8	22.441	23.583	27.441	13.780	13.780
-----	-----	--------	------	---	-----	-----	-----	--------	---	-----	------	------	------	------	------	------	------	------	------	------	--------	--------	--------	--------	--------

IV Poles

1	0.75	143/5T	2.97	M	6.7	2.8	2.7	0.1037	8	33.1	54.0	1.15	1745	62.0	68.0	71.0	0.48	0.60	0.68	6.80	13.97	16.102	19.173	8.268	8.268
1.5	1.1	143/5T	4.45	L	8.0	2.5	2.7	0.1426	8	43.0	54.0	1.15	1745	69.0	75.0	77.0	0.68	0.78	0.83	7.48	15.152	17.283	20.354	8.268	9.449
2	1.5	143/5T	5.94	L	8.0	2.6	2.6	0.1614	6	46.3	54.0	1.15	1745	70.0	76.0	78.5	0.66	0.76	0.82	10.0	15.938	18.071	21.142	8.661	10.236
3	2.2	182/4T	8.86	J	8.4	3.1	2.4	0.3709	12	83.8	59.0	1.15	1755	72.0	78.5	81.5	0.99	0.99	0.99	11.9	19.079	20.591	23.661	9.841	11.417
5	3.7	182/4T	14.8	H	7.6	2.9	2.7	0.4637	11	121	59.0	1.15	1755	77.0	82.5	84.0	0.92	0.94	0.95	20.2	19.472	20.984	24.055	11.417	11.811
7.5	5.5	213/5T	22.3	G	6.8	2.6	2.3	1.43	6	163	64.0	1.15	1745	78.5	82.5	84.0	0.99	0.99	0.99	28.8	22.441	23.583	27.441	11.811	13.780
10	7.5	213/5T	29.7	G	6.5	2.2	2.6	1.43	6	172	64.0	1.15	1745	81.5	85.5	86.5	0.99	0.99	0.99	38.1	22.441	23.583	27.441	13.780	13.780
12.5	9.2	213/5T*	37.0	H	7.5	2.5	3.1	1.96	6	212	64.0	1.15	1750	82.5	86.5	87.5	0.98	0.98	0.98	46.6	22.835	23.976	27.835	13.780	14.173

High-Output Design

5	3.7	213/5T	14.8	J	7.9	3.0	2.7	1.11	7	137	64.0	1.15	1755	74.0	80.0	82.5	0.96	0.97	0.98	19.9	22.441	23.583	27.441	13.780	13.780
---	-----	--------	------	---	-----	-----	-----	------	---	-----	------	------	------	------	------	------	------	------	------	------	--------	--------	--------	--------	--------

W01 General Purpose - ODP - Single-Phase - Torque above 200%

Output		Frame	Full Load Torque (ft.lb)	Locked Rotor Current		Locked Rotor Torque Tl/Tn	Break-down Torque Tl/Tn	Inertia J (sq.ft.lb)	Allowable locked rotor time (s)	Weight (lb)	Sound dB(A)	Service Factor	230 V									C (inches)			FC (inches)	
				Code	II/In								Rated speed (rpm)	% of full load			Full load current In (A)									
														Efficiency				Power Factor								

1.5	1.1	143/5T	2.22	L	7.3	2.5	2.7	0.0589	6	30.9	58.0	1.15	3500	65.0	70.0	72.0	0.57	0.69	0.77	8.60	11.959	14.488	17.539	7.874	8.268
2	1.5	143/5T	2.97	L	7.8	2.5	2.6	0.0748	6	36.4	58.0	1.15	3490	69.0	72.0	75.0	0.60	0.72	0.80	10.9	12.746	15.276	18.327	8.661	9.055
3	2.2	143/5T	4.46	K	8.0	2.0	2.5	0.0864	6	41.2	58.0	1.15	3485	71.0	76.0	78.0	0.85	0.91	0.93	13.2	13.534	15.669	18.72	9.448	9.449
5	3.7	182/4T	7.41	G	6.9	2.9	2.5	0.1559	6	71.7	-	1.15	3495	78.7	83.2	84.0	0.98	0.99	0.99	19.3	15.929	17.441	20.496	9.843	9.842
7.5	5.5	182/4T	11.1	G	6.9	2.8	2.6	0.1991	6	83.8	-	1.15	3500	80.6	84.4	85.5	0.97	0.98	0.98	28.5	17.11	18.228	21.677	11.024	11.024
10	7.5	213/5T	14.8	G	6.8	2.3	2.7	0.4440	6	112	-	1.15	3500	82.4	85.9	86.5	0.99	0.99	0.99	38.1	17.382	18.898	22.776	11.024	11.417
12.5	9.2	213/5T	18.4	H	7.9	2.4	3.3	0.6341	6	161	-	1.15	3520	84.7	87.8	88.5	0.99	0.99	0.99	45.7	19.35	20.472	24.35	12.992	12.992
15	11	213/5T	22.0	J	8.7	2.5	4.1	0.7188	6	183	-	1.15	3530	85.0	88.0	88.5	0.89	0.93	0.95	56.9	20.138	21.26	25.138	13.780	13.780

High-Output Design

7.5	5.5	213/5T	11.0	H	7.8	2.7	2.8	0.4651	6	110	-	1.15	3520	81.2	85.0	85.5	0.99	0.99	0.99	28.3	17.776	21.260	22.776	17.776	11.417
-----	-----	--------	------	---	-----	-----	-----	--------	---	-----	---	------	------	------	------	------	------	------	------	------	--------	--------	--------	--------	--------

IV Poles

1	0.75	143/5T	2.97	M	6.7	2.7	2.7	0.0973	7	30.9	52.0	1.15	1745	60.0	68.0	71.0	0.48	0.60	0.68	6.75	11.959	14.488	8.268	7.874	8.268
1.5	1.1	143/5T	4.45	M	6.9	2.7	2.7	0.1362	7	40.1	52.0	1.15	1745	66.0	72.0	73.0	0.48	0.60	0.69	9.49	13.14	15.669	9.448	9.055	9.449
2	1.5	143/5T	5.96	L	7.5	2.4	2.6	0.1550	6	42.3	52.0	1.15	1740	70.0	75.0	78.0	0.62	0.73	0.80	10.5	13.927	-	-	9.842	-
3	2.2	182/4T	8.86	H	7.1	2.8	2.5	0.2781	6	67.3	-	1.15	1755	69.8	77.1	80.0	0.83	0.90	0.93	12.7	15.535	17.047	9.449	9.449	9.449
5	3.7	182/4T	14.8	H	7.0	2.5	2.4	0.4172	6	88.2	-	1.15	1755	75.2	81.3	84.0	0.95	0.97	0.97	19.7	17.504	19.016	11.417	11.417	11.417
7.5	5.5	213/5T	22.2	G	6.9	2.3	2.4	1.29	6	212	-	1.15	1750	83.1	85.0	85.5	0.95	0.96	0.97	28.6	18.957	20.079	12.598	12.598	12.598
10	7.5	213/5T	29.7	G	6.6	2.2	2.4	1.34	6	216	-	1.15	1745	83.2	86.3	86.5	0.97	0.98	0.98	38.5	19.35	20.472	12.992	12.992	12.992
12.5	9.2	213/5T	37.1	G	7.0	2.3	2.9	1.65	6	246	-	1.15	1745	84.2	87.3	87.5	0.97	0.98	0.98	46.4	20.531	21.654	14.173	14.173	14.173

High-Output Design

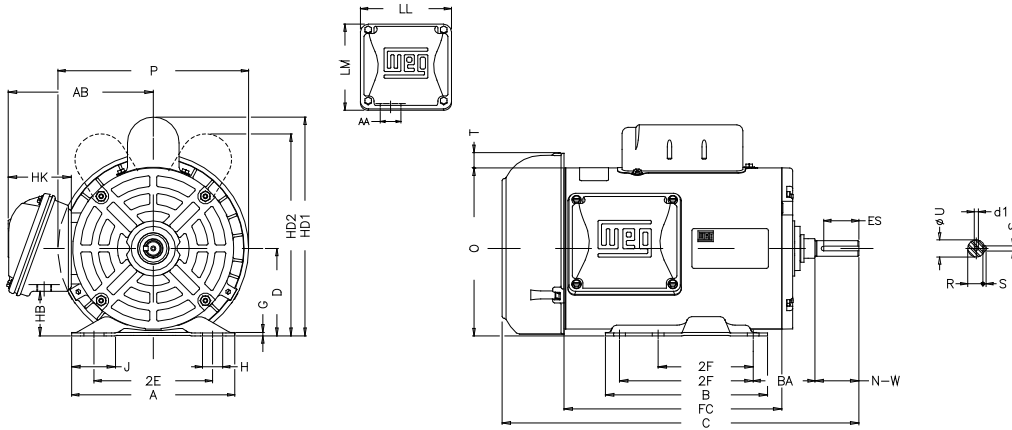
5	3.7	213/5T	14.8	H	7.5	2.6	2.3	1.16	7	203	-	1.15	1755	78.6	83.9	85.5	0.98	0.99	0.99	18.9	18.563	19.685	12.205	12.205	12.205
---	-----	--------	------	---	-----	-----	-----	------	---	-----	---	------	------	------	------	------	------	------	------	------	--------	--------	--------	--------	--------

Notes:

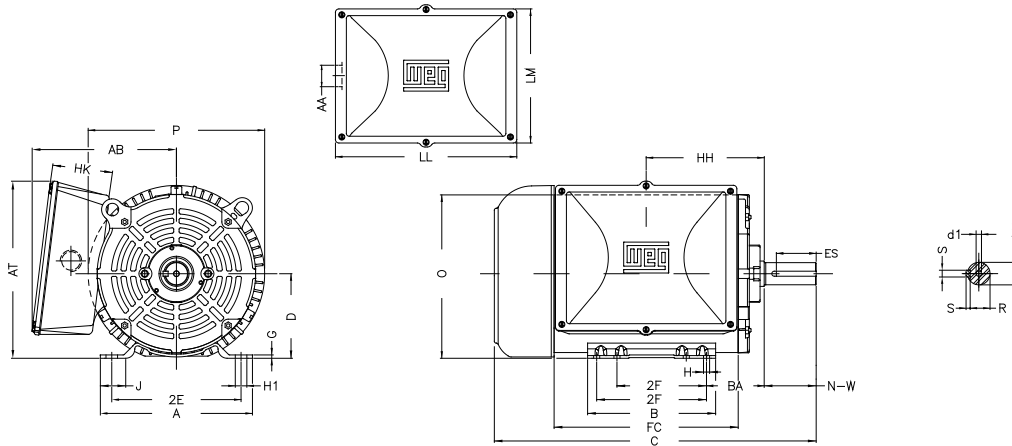
- (*) Motor with class F (105 K) temperature rise.
- (**) Values subjected to change without previous advise.

Mechanical Data - W01 TEFC

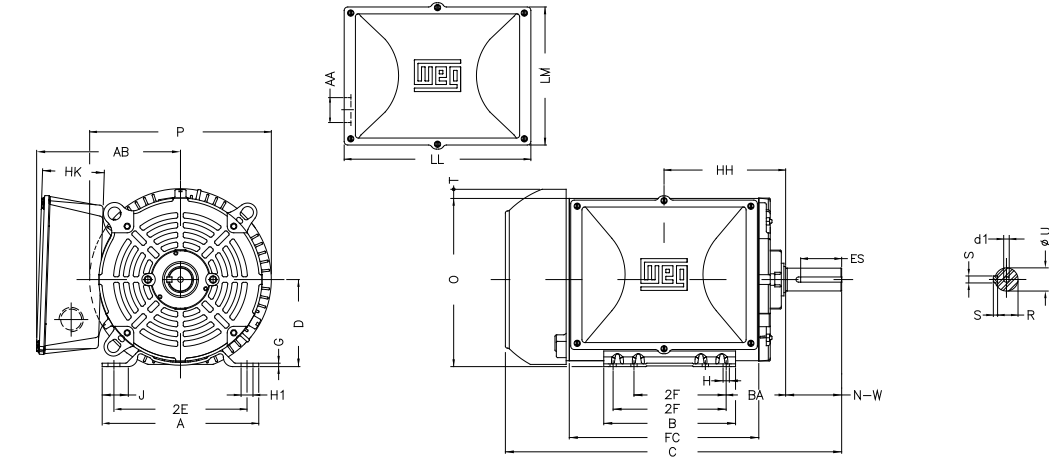
Frames 143/5



Frames 182/4



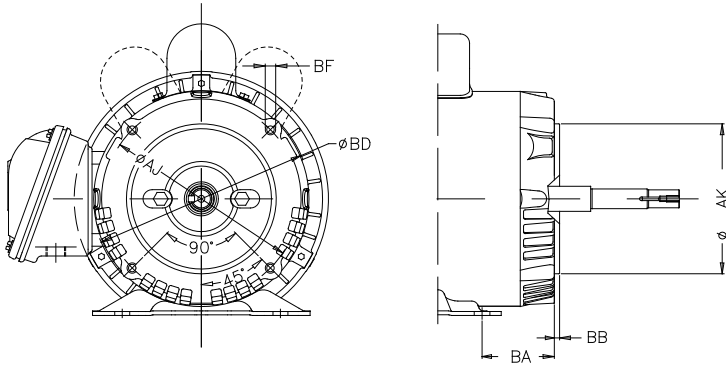
Frames 213/5



Frame	A	AB	AT	D	2E	G	H	HB	HD1	HD2	HH	HK	J	P	LL	LM
143/5T	6.535	5.882	-	3.500	5.500	0.120	0.343	1.783	8.618	8.150	-	2.638	1.732	7.638	4.543	4.106
182/4T	8.661	8.059	9.185	4.500	7.500	0.167	0.406	-	-	-	7.489	3.425	1.299	9.435	11.469	8.811
213/5T	9.449	8.409	-	5.250	8.500	0.167	0.406	-	-	-	8.421	3.248	1.575	10.965	13.886	9.319

Frame	AA	FC	C	B	BA	2F	O	T	Shaft					Bearing		
									ES	N-W	d1	R	S	U	DE	NDE
143/5T	1.118"	*	*	6.496	2.250	4.000/5.000	6.724	0.603	1.417	2.250	A 3,15	0.771	0.187	0.875	6205 ZZ	6203 ZZ
182/4T	NPT 1"			6.299	2.750	4.500/5.500	8.557	-	1.969	2.750	A 3,15	0.984	0.250	1.125	6206 ZZ	6205 ZZ
213/5T	1.732"			7.953	3.500	5.500/7.000	10.114	0.732	2.480	3.380	A 4	1.203	0.313	1.375	6208 ZZ	6206 ZZ

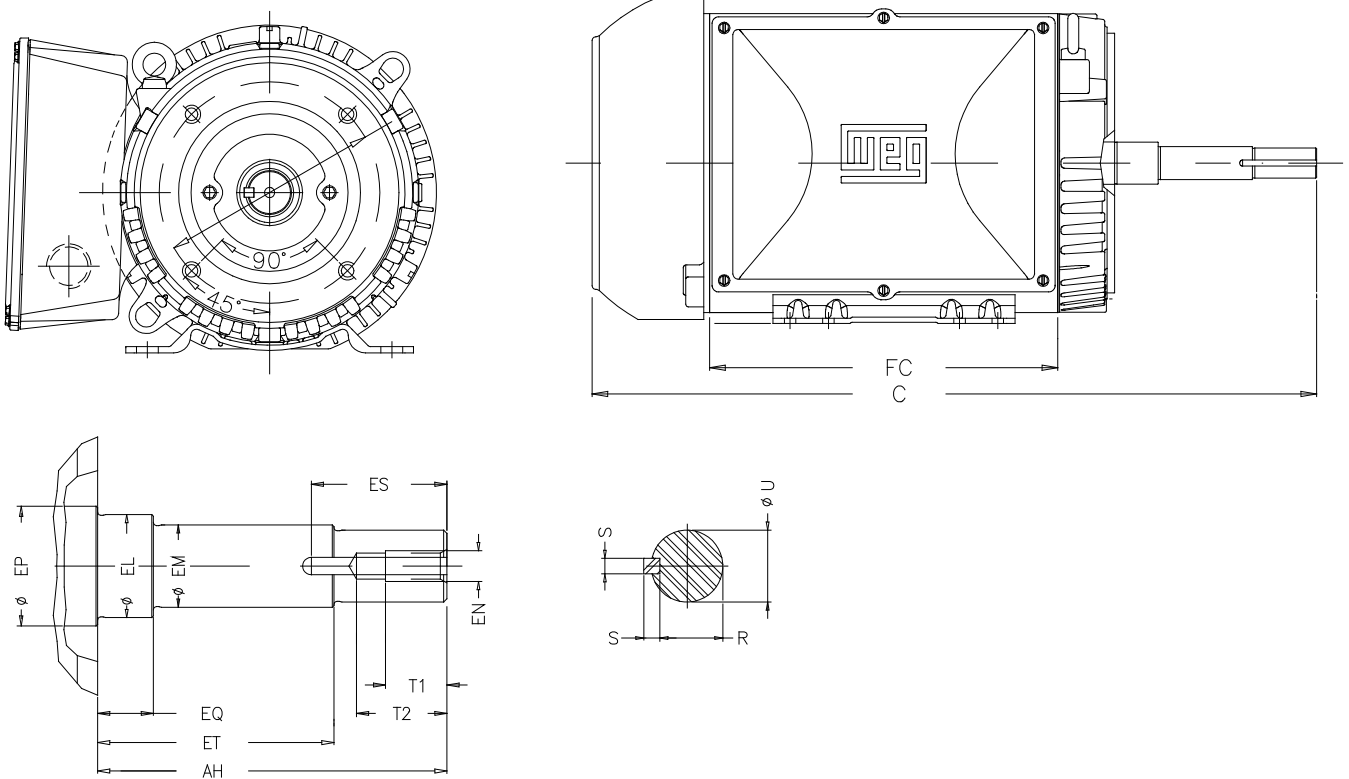
Flange "C"



Frame	Flange	AJ	BF	BA	BB	AK	BD	BF N°
143/5T	FC-149	5.874	UNC 3/8"x16	2.750	0.157	4.500	6.450	4
182/4T	FC-184	5.874	UNC 3/8"x16	3.500	0.157	4.500	6.496	
213/5T	FC-184	7.250	UNC 1/2"x13	4.250	0.250	8.500	8.796	

Other dimensions, that there are not in table above, are the same as shown on standard table - page 14.

Frames JM/JP 143 up to 215T



Frame	Shaft JM													Bearing	
	EP	EL	EM	EN	EQ	ET	T1	T2	ES	AH	R	S	U	DE	NDE
143/5T	1.179	1.156	1.000	EUNC 3/8"-16	0.630	2.880	0.787	1.102	1.575	4.267	0.771	0.187	0.875	6206 ZZ	6203 ZZ
182/4T	1.376	1.250		EUNC 3/8"-16			0.748	1.102	1.575	4.258	0.771	0.187	0.875	6207 ZZ	6205 ZZ
213/5T	1.769	1.250		EUNC 3/8"-16			0.748	1.102	1.653	4.258	0.771	0.187	0.875	6209 ZZ	6206 ZZ

Frame	Shaft JP													FC	C
	EP	EL	EM	EN	EQ	ET	T1	T2	ES	AH	R	S	U		
143/5T	1.179	1.156	1.000	EUNC 3/8"-16	1.563	5.941	0.787	1.102	1.653	7.319	0.771	0.187	0.875	*	*
182/4T	1.376	1.250	1.000	EUNC 3/8"-16	1.563	5.941	0.748	1.102	1.653	7.319	0.771	0.187	0.875		
213/5T	1.769	1.750	1.375	EUNC 1/2"-13	2.374	5.886	0.984	1.496	2.560	8.130	1110	0.250	1.250		

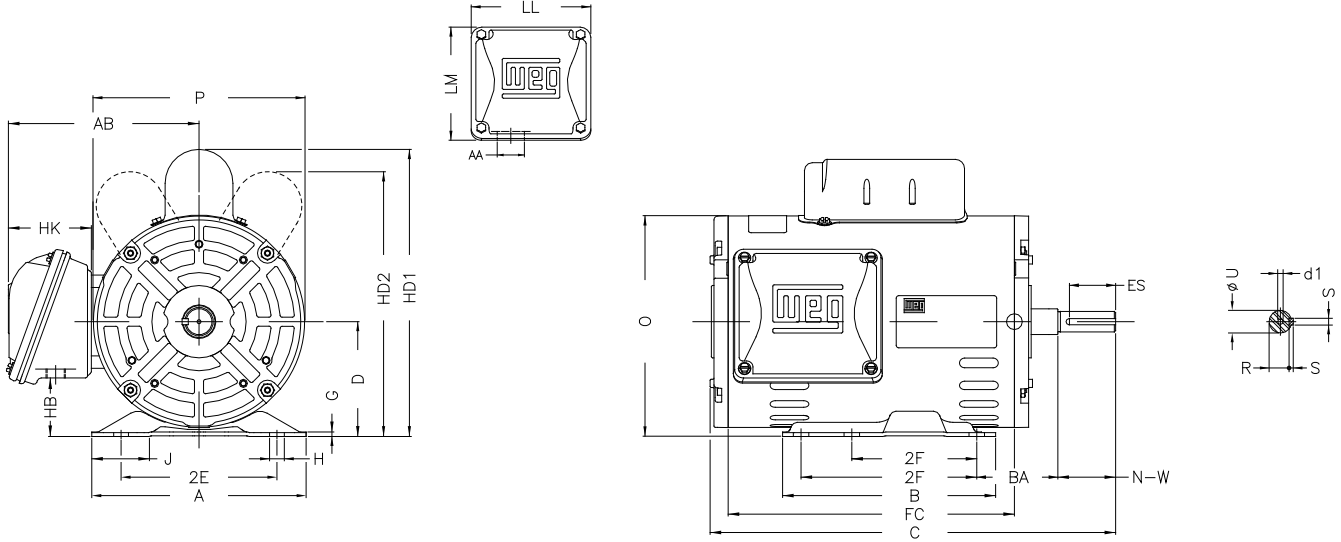
Notes:

(*) Dimensions according Electric Table - page 13 - TEFC motors.

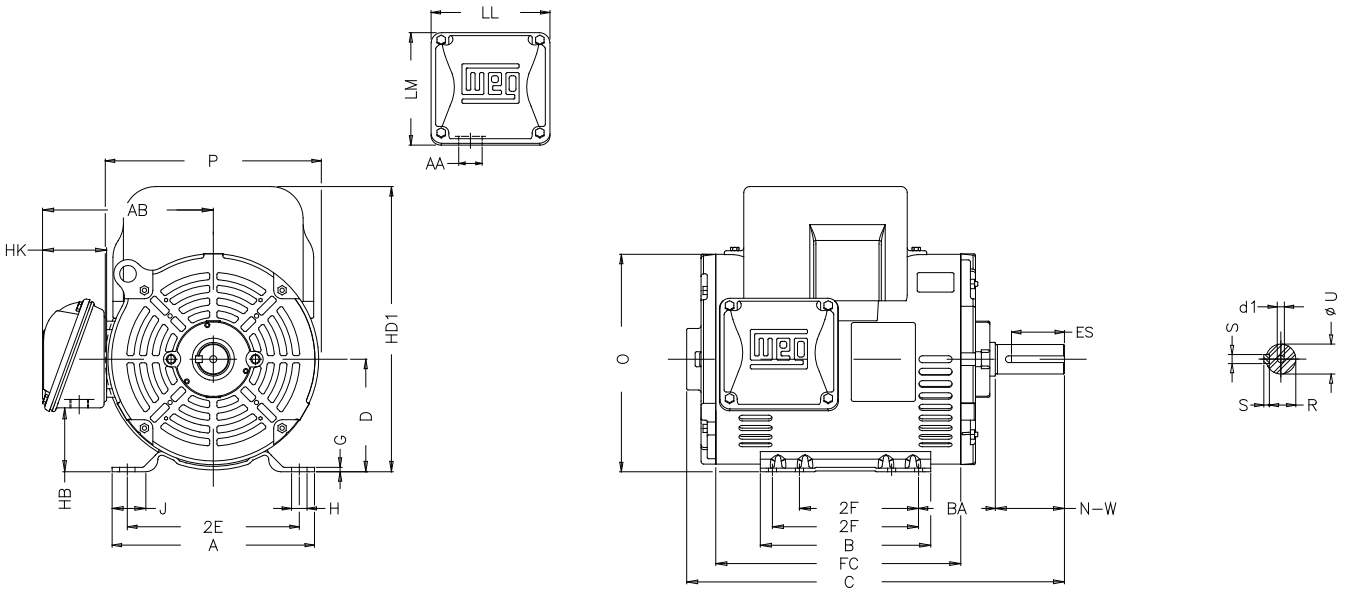
Other dimensions, that there are not in table above, are the same as shown on standard table - page 14.

Mechanical Data - W01 ODP

Frames 143 up to 145



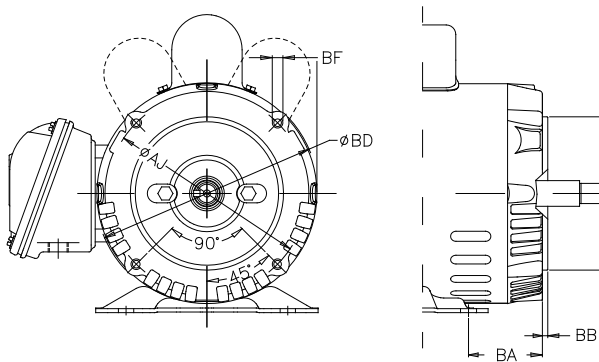
Frames 182 up to 215



Frame	A	AB	D	2E	G	H	HB	HD1	HD2	HK	J	P	LL	LM
143/5T	6.535	5.882	3.500	5.500	0.120	0.343	1.783	8.618	8.150	2.638	1.732	6.467	4.543	4.106
182/4T	8.661	6.696	4.500	7.500	0.167	0.406	2.784	11.441	-	2.629	1.299	8.114	4.563	4.090
213/5T	9.449	7.793	5.250	8.500	0.167	0.406	2.982	13.764	-	3.022	1.575	9.846	5.551	5.250

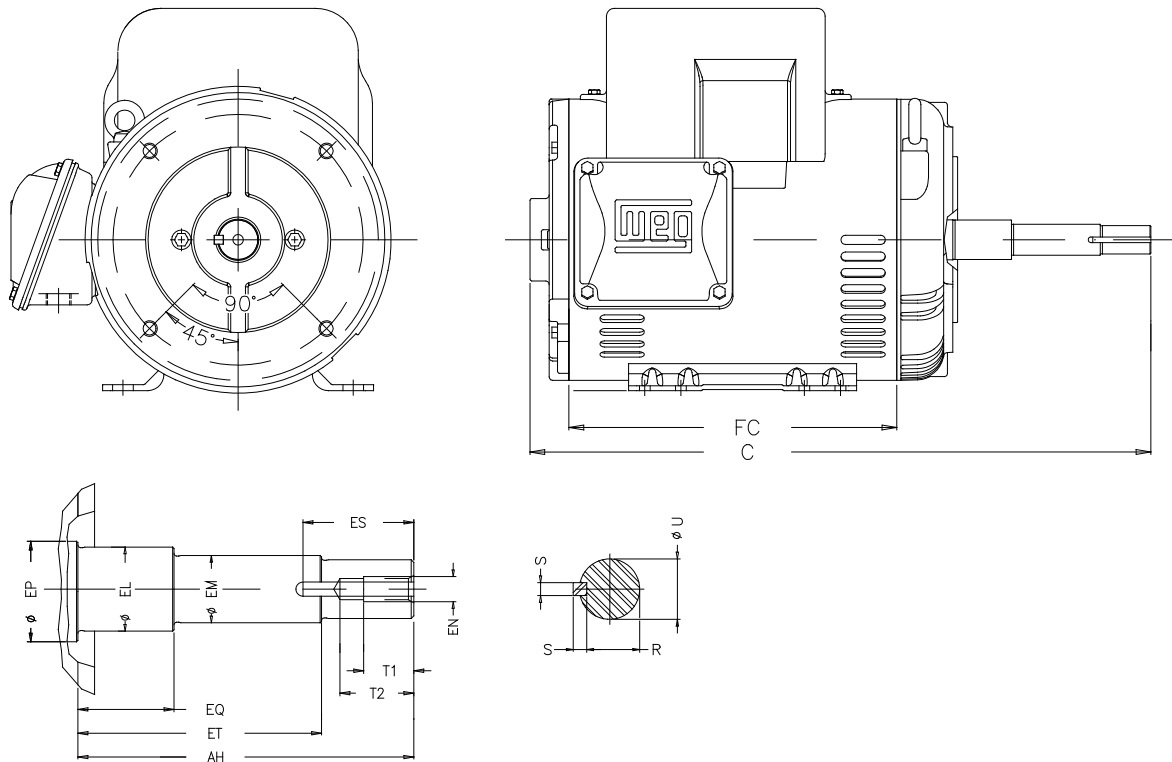
Frame	AA	FC	C	B	BA	2F	O	Shaft					Bearing		
								ES	N-W	d1	R	S	U	DE	NDE
143/5T	1.118"	*	*	6.496	2.250	4.000/5.000	6.724	1.417	2.250	A 3,15	0.771	0.187	0.875	6205 ZZ	6202 ZZ
182/4T	1.118"	*	*	6.299	2.750	4.500/5.500	8.557	1.969	2.750	A 3,15	0.984	0.250	1.125	6206 ZZ	6205 ZZ
213/5T	1.732"	*	*	7.953	3.500	5.500/7.000	10.144	2.480	3.380	A 4	1.203	0.313	1.375	6208 ZZ	6206 ZZ

Flange "C"



Frame	Flange	AJ	BF	BA		BB	AK	BD	BF N°
				JM	JP				
143/5T	FC-149	5.874	UNC 3/8"x16	2.250	2.750	0.157	4.500	6.450	4
182/4T	FC-184	5.874	UNC 3/8"x16	3.500	3.500	0.157	4.500	6.496	
213/5T	FC-184	7.250	UNC 1/2"x13	4.250	4.250	0.250	8.500	8.796	

Frames JM/JP



Frame	Shaft JM													Bearing	
	EP	EL	EM	ES	EN	EQ	ET	AH	T1	T2	R	S	U	DE	NDE
143/5T	1.179	1.156	1.000	1.575	EUNC 3/8"-16	0.630	2.880	4.267	0.787	1.102	0.771	0.187	0.875	6206 ZZ	6203 ZZ
182/4T	1.376	1.250		1.653	EUNC 3/8"-16			4.258	0.748	1.102				6207 ZZ	6205 ZZ
213/5T	1.769	1.250		1.653	EUNC 3/8"-16			4.258	0.984	1.496				6209 ZZ	6206 ZZ

Frame	Shaft JP													FC	C
	EP	EL	EM	ES	EN	EQ	ET	AH	T1	T2	R	S	U		
143/5T	1.179	1.156	1.000	1.653	EUNC 3/8"-16	1.563	5.941	7.319	0.787	1.102	0.771	0.187	0.875	*	*
182/4T	1.376	1.250	1.000	1.653	EUNC 3/8"-16	1.563	5.941	7.319	0.748	1.102	0.771	0.187	0.875		
213/5T	1.769	1.750	1.375	2.560	EUNC 3/8"-16	2.374	5.886	8.130	0.984	1.496	1.110	0.250	1.250		

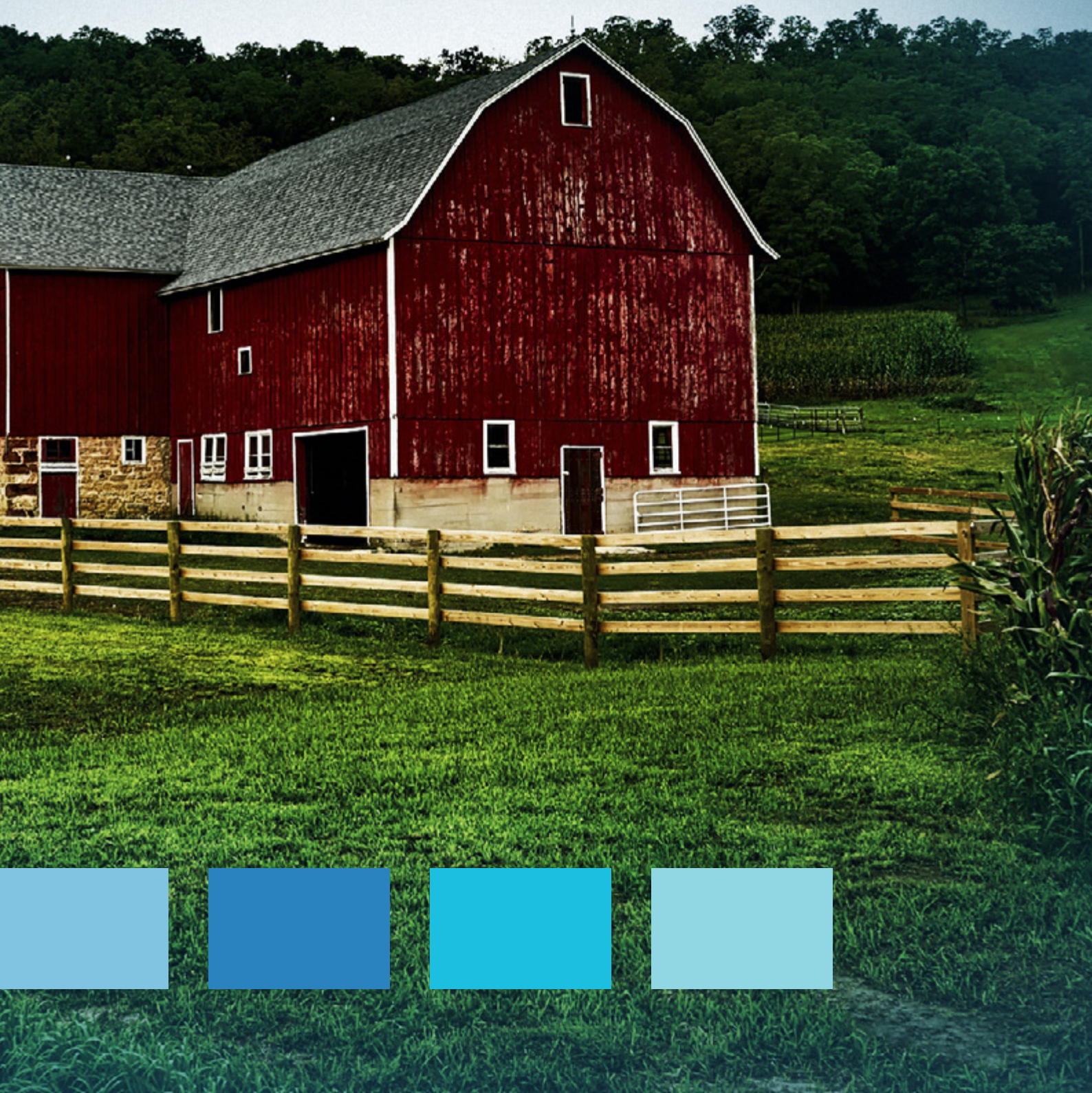
Notes:

(*) Dimensions according Electric Table - page 13 - ODP motors.

Farm Duty Motors

The Farm Duty motors are specially designed for farm applications requiring high starting torque and moderate starting current, as pumps, fans, conveyors, poultry equipment, air compressors and other farm machinery.

Some standard features such as V-ring slinger in both drive and opposite drive ends, reversible shaft rotation and start capacitors provide versatility for indoor and outdoor use. The manual overload protection available in all frames protects against extreme overloads offering maximum safety to operators.

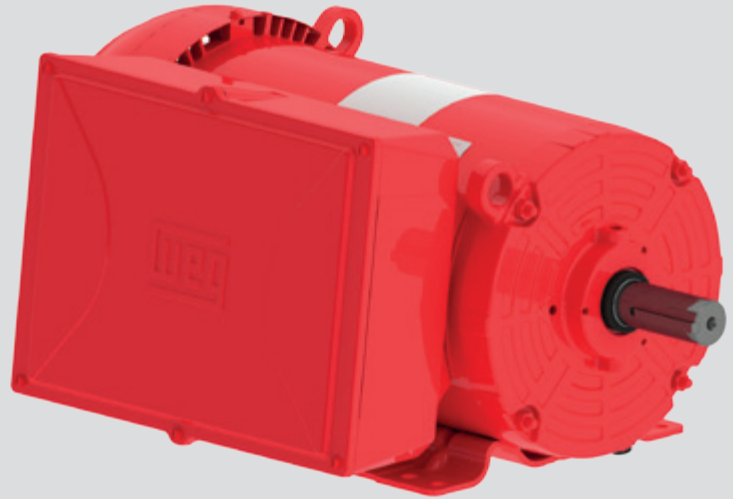


Farm Duty

Single-Phase Motors

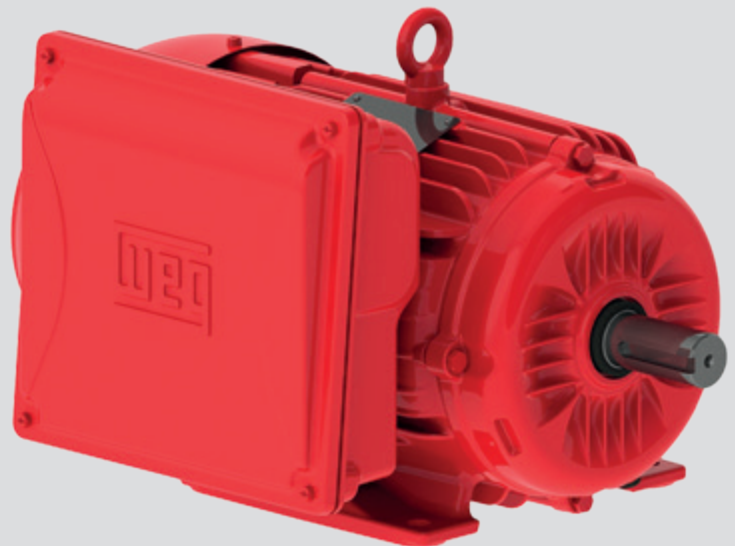
W01 Farm Duty

- Rated output: 0.33 up to 10 HP
- Number of poles: 4
- Frame sizes: W56 up to 213/5T
- Voltage: 115/230 V or 230 V
- Frequency: 60 Hz
- Degree of protection: IP55
- Painting plan: 207N
- Frame material: Rolled Steel
- Mounting: F-1
- Cooling method: TEFC (Totally Enclosed Fan Cooled)
- Grounding: Single (inside the terminal box)
- Shaft material: AISI 1040/45 Carbon steel
- Color: Red (RAL 3003)
- Insulation class: F
- Service factor: 1.15
- Thermally Protected: Manual Reset



W22 Farm Duty

- Rated output: 0.33 up to 12.5 HP
- Number of poles: 4
- Frame sizes: 143/5T up to 213/5T
- Voltage: 115/230 V or 230 V
- Frequency: 60 Hz
- Degree of protection: IP55
- Painting plan: 207N
- Frame material: Cast Iron
- Mounting: F-1
- Cooling method: TEFC (Totally Enclosed Fan Cooled)
- Grounding: Single (inside the terminal box)
- Shaft material: AISI 1040/45 Carbon steel
- Color: RAL 3003 (red)
- Insulation class: F
- Service factor: 1.15
- Thermally Protected: Manual



WEG Worldwide Operations

ARGENTINA

San Francisco - Cordoba
Phone: +54 3564 421484
info-ar@weg.net

Cordoba - Cordoba
Phone: +54 351 4641366
weg-morbe@weg.com.ar

Buenos Aires
Phone: +54 11 42998000
ventas@pulverlux.com.ar

AUSTRALIA

Scoresby - Victoria
Phone: +61 3 97654600
info-au@weg.net

AUSTRIA

Markt Piesting - Wiener
Neustadt-Land
Phone: +43 2633 4040
watt@wattdrive.com

BELGIUM

Nivelles - Belgium
Phone: +32 67 888420
info-be@weg.net

BRAZIL

Jaraguá do Sul - Santa Catarina
Phone: +55 47 32764000
info-br@weg.net

CHILE

Santiago
Phone: +56 2 27848900
info-cl@weg.net

CHINA

Nantong - Jiangsu
Phone: +86 513 85989333
info-cn@weg.net

Changzhou - Jiangsu
Phone: +86 519 88067692
info-cn@weg.net

COLOMBIA

San Cayetano - Bogota
Phone: +57 1 4160166
info-co@weg.net

ECUADOR

El Batán - Quito
Phone: +593 2 5144339
ceccato@weg.net

FRANCE

Saint-Quentin-Fallavier - Isère
Phone: +33 4 74991135
info-fr@weg.net

GERMANY

Türnich - Kerpen
Phone: +49 2237 92910
info-de@weg.net

Balingen - Baden-Württemberg
Phone: +49 7433 90410
info@weg-antriebe.de

Homburg (Efze) - Hesse
Phone: +49 5681 99520
info@akh-antriebstechnik.de

GHANA

Accra
Phone: +233 30 2766490
info@zestghana.com.gh

INDIA

Bangalore - Karnataka
Phone: +91 80 41282007
info-in@weg.net

Hosur - Tamil Nadu
Phone: +91 4344 301577
info-in@weg.net

ITALY

Cinisello Balsamo - Milano
Phone: +39 2 61293535
info-it@weg.net

JAPAN

Yokohama - Kanagawa
Phone: +81 45 5503030
info-jp@weg.net

MALAYSIA

Shah Alam - Selangor
Phone: +60 3 78591626
info@wattdrive.com.my

MEXICO

Huehuetoca - Mexico
Phone: +52 55 53214275
info-mx@weg.net

Tizayuca - Hidalgo
Phone: +52 77 97963790

NETHERLANDS

Oldenzaal - Overijssel
Phone: +31 541 571080
info-nl@weg.net

PERU

La Victoria - Lima
Phone: +51 1 2097600
info-pe@weg.net

PORTUGAL

Maia - Porto
Phone: +351 22 9477700
info-pt@weg.net

RUSSIA and CIS

Saint Petersburg
Phone: +7 812 363 2172
sales-wes@weg.net

SOUTH AFRICA

Johannesburg
Phone: +27 11 7236000
info@zest.co.za

SPAIN

Coslada - Madrid
Phone: +34 91 6553008
wegiberia@wegiberia.es

SINGAPORE

Singapore
Phone: +65 68589081
info-sg@weg.net

Singapore
Phone: +65 68622220
watteuro@watteuro.com.sg

SCANDINAVIA

Mölnlycke - Sweden
Phone: +46 31 888000
info-se@weg.net

UK

Redditch - Worcestershire
Phone: +44 1527 513800
info-uk@weg.net

UNITED ARAB EMIRATES

Jebel Ali - Dubai
Phone: +971 4 8130800
info-ae@weg.net

USA

Duluth - Georgia
Phone: +1 678 2492000
info-us@weg.net

Minneapolis - Minnesota
Phone: +1 612 3788000

VENEZUELA

Valencia - Carabobo
Phone: +58 241 8210582
info-ve@weg.net

For those countries where there is not a WEG own operation, find our local distributor at www.weg.net.



WEG Group - Motors Business Unit
Jaraguá do Sul - SC - Brazil
Phone: +55 47 3276 4000
motores@weg.net
www.weg.net

