

2022 - 2023

# WEG Automation Catalog

Variable Frequency Drives and Soft Starters



Motors | Automation | Energy | Transmission & Distribution | Coatings

# GENERAL PURPOSE AND MACHINERY DRIVE PRODUCTS

## CFW100 - Variable Frequency Drives: 1/4 - 1 HP

|                                     |    |
|-------------------------------------|----|
| Overview .....                      | 14 |
| Catalog Number Sequence .....       | 15 |
| Product Selection and Pricing ..... | 16 |
| Options and Accessories .....       | 16 |
| Technical Data .....                | 17 |

## CFW300 - Variable Frequency Drives: 1/4 - 5 HP

|                                     |    |
|-------------------------------------|----|
| Overview .....                      | 18 |
| Catalog Number Sequence .....       | 19 |
| Product Selection and Pricing ..... | 20 |
| Options and Accessories .....       | 20 |
| Technical Data .....                | 22 |

## CFW500-G2 Variable Frequency Drives: 1/3 - 175HP

|  |    |
|--|----|
| Overview .....   | 23 |
| Catalog Number Sequence .....                                  | 24 |
| Product Selection and Pricing - IP20 Drives .....              | 25 |
| Product Selection and Pricing - IP66/N4X Washdown Drives ..... | 27 |
| Options and Accessories .....                                  | 29 |
| Technical Data .....   | 31 |
| Dynamic Braking Resistors .....                                | 33 |
| Line and Load Reactors .....                                   | 36 |

## CFW500-G1 Variable Frequency Drives: 1/3 - 40 HP

|                                     |    |
|-------------------------------------|----|
| Overview .....                      | 37 |
| Catalog Number Sequence .....       | 38 |
| Product Selection and Pricing ..... | 39 |
| Options and Accessories .....       | 40 |
| Technical Data .....                | 42 |

## CFW700 - Variable Frequency Drives: 1 1/2 - 150 HP (Obsolete Product, please select CFW500 VFD)

|                                     |    |
|-------------------------------------|----|
| Overview .....                      | 43 |
| Catalog Number Sequence .....       | 44 |
| Product Selection and Pricing ..... | 45 |
| Options and Accessories .....       | 48 |
| Technical Data .....                | 49 |
| Dynamic Braking Resistors .....     | 50 |
| Line and Load Reactors .....        | 52 |

## PERFORMANCE DRIVE PRODUCTS

### CFW11 - High Performance Industrial VFD: 1 1/2 - 1000 HP

|  |    |
|--|----|
| Overview .....   | 53 |
| Catalog Number Sequence .....                            | 54 |
| Drive Ratings .....                                      | 55 |
| Product Selection and Pricing - NEMA1 Drives .....       | 56 |
| Product Selection and Pricing - NEMA12/IP55 Drives ..... | 59 |
| Options and Accessories .....                            | 60 |
| Technical Data .....                                     | 62 |
| Dynamic Braking Resistors .....                          | 63 |
| Line and Load Reactors .....                             | 65 |

### CFW11M - Modular Industrial VSD: 450 - 2500 HP

|                               |    |
|-------------------------------|----|
| Overview .....                | 66 |
| Catalog Number Sequence ..... | 67 |
| Product Selection .....       | 68 |
| Dimensions .....              | 69 |

## SPECIAL PURPOSE DRIVE PRODUCTS

### Pump Genius™

|   |    |
|---|----|
| Overview .....  | 70 |
| Operation .....   | 72 |
| Product Selection and Pricing (Single Drive Pump System) .....      | 73 |
| Overview (Multiplex Pump System Control) .....                      | 75 |
| Product Selection and Pricing (Multiplex Pump System Control) ..... | 76 |

## HVAC-R DRIVE PRODUCTS

### CFW501 - HVAC-R Variable Frequency Drives: 1/3 - 25 HP

|                                     |    |
|-------------------------------------|----|
| Overview .....                      | 79 |
| Catalog Number Sequence .....       | 80 |
| Product Selection and Pricing ..... | 81 |
| Options and Accessories .....       | 81 |
| Technical Data .....                | 82 |

### CFW701 - HVAC-R Variable Frequency Drives: 1 1/2 - 150 HP (Obsolete Product,select CFW501/500/11 VFDs)

|                                     |    |
|-------------------------------------|----|
| Overview .....                      | 83 |
| Catalog Number Sequence .....       | 84 |
| Product Selection and Pricing ..... | 85 |
| Options and Accessories .....       | 87 |
| Technical Data .....                | 88 |
| Dynamic Braking Resistors .....     | 89 |
| Line and Load Reactors .....        | 91 |

## SOLID STATE SOFT STARTER PRODUCTS

### SSW05 - LV Reduced Voltage Soft Starter: 10 - 85 Amps

|                                     |    |
|-------------------------------------|----|
| Overview .....                      | 92 |
| Catalog Number Sequence .....       | 93 |
| Product Selection and Pricing ..... | 94 |
| Options and Accessories .....       | 94 |
| Technical Data .....                | 95 |

### SSW07 - LV Reduced Voltage Soft Starter: 17 - 412 Amps

|                                     |     |
|-------------------------------------|-----|
| Overview .....                      | 96  |
| Catalog Number Sequence .....       | 97  |
| Product Selection and Pricing ..... | 98  |
| Options and Accessories .....       | 100 |
| Dimensions .....                    | 101 |
| Technical Data .....                | 102 |

### SSW900 - LV Reduced Voltage Soft Starter: 10-1400 Amps

|                                     |     |
|-------------------------------------|-----|
| Overview .....                      | 104 |
| Catalog Number Sequence .....       | 105 |
| Product Selection and Pricing ..... | 106 |
| Options and Accessories .....       | 109 |
| Dimensions .....                    | 112 |
| Technical Data .....                | 113 |

### SSW7000 - MV Reduced Voltage Soft Starter: 125 - 360 Amps

|                                     |     |
|-------------------------------------|-----|
| Overview .....                      | 115 |
| Catalog Number Sequence .....       | 116 |
| Product Selection and Pricing ..... | 116 |
| Options and Accessories .....       | 117 |
| Dimensions .....                    | 117 |
| Special Features/Advantages .....   | 119 |
| Technical Data .....                | 120 |

# ENCLOSED DRIVE AND SOFT STARTER PRODUCTS

## EDP11 Engineered Drive Panels

|                                     |     |
|-------------------------------------|-----|
| Overview .....                      | 121 |
| Catalog Number Sequence .....       | 122 |
| Product Selection and Pricing ..... | 123 |
| Dimensions .....                    | 131 |

## GP2 Enclosed Soft Starter Panels

|                                     |     |
|-------------------------------------|-----|
| Overview .....                      | 133 |
| Catalog Number Sequence .....       | 134 |
| Product Selection and Pricing ..... | 135 |
| Dimensions .....                    | 139 |

## APS9 - All Purpose Soft Starter Panel

|                                      |     |
|--------------------------------------|-----|
| Overview .....                       | 140 |
| Catalog Number Sequence .....        | 141 |
| Product Selection and Pricing .....  | 142 |
| Accessories .....                    | 142 |
| Dimensions .....                     | 143 |
| Optional Accessories - Leg Kits..... | 144 |

# DIGITAL SOLUTION PRODUCTS

## Motion Fleet Management

|                                     |     |
|-------------------------------------|-----|
| Overview .....                      | 146 |
| Product Selection and Pricing ..... | 147 |

# WEG DRIVES REPLACEMENT GUIDE

## CFW08-N1, CFW09, CFW10, CFW08 N4X/Wash Down, CFW700, CFW701 & SSW06 Replacement Guide

|   |     |
|---|-----|
| Choose model to replace old CFW08-N1, CFW09, CFW10, CFW08 N4X/Wash Down, CFW700, CFW701 or SSW06..... | 148 |
|---|-----|

# WARRANTY POLICY FOR WEG AUTOMATION PRODUCTS

WEG USA General Terms and Conditions available at [www.weg.net](http://www.weg.net) apply to all orders.

## No-Fault Warranty

WEG Variable Speed Drives (product families CFW family drives 08, 100, 300, 500, 501, 700, 701 and 11), Soft Starters (product families SSW 05, 06, 07 and 900), and Power and Motor Control Products are covered under a “No-Fault” warranty process. Please see the table below for specific information on products covered by this warranty program. For products that meet the requirements of the “No-Fault” program WEG will provide replacement, free of cost.

This warranty claim is offered one time, per end-user, per application. In the event of repeated product failure please contact the WEG Automation Service Department to assist in review and resolution of the issue.

The following information must be provided within the warranty period of the product and no more than 30 days after the failure occurrence via e-mail to the WEG Automation Service Department ([automationtech@weg.net](mailto:automationtech@weg.net)) to initiate the warranty claim:

- A picture of the label with serial number information from the failed product
- The original WEG invoice number / copy of the invoice for the failed product
- A Brief description of the issue with the product - for use in our quality evaluation process additional fees will be applied (up to and including full price of item). Returns on any modified products will not be allowed. Any products that are ordered as specials (with features that would not allow them to be stocked items) cannot be returned.

## LV VFDs and Soft Starters

| Product               | Product Reference | Size / Frame | Rated Current | Power Voltage | Protection degree |      |
|-----------------------|-------------------|--------------|---------------|---------------|-------------------|------|
| Variable Speed Drives | CFW08             |              | All           |               |                   |      |
|                       | CFW100 G2         |              | All           |               |                   |      |
|                       | CFW100            |              | All           |               |                   |      |
|                       | CFW300            |              | All           |               |                   |      |
|                       | CFW320            |              | All           |               |                   |      |
|                       | CFW500 G1         | A/B/C/D      |               |               | 200-240V          |      |
|                       |                   | A/B/C        |               |               | 380-480V          |      |
|                       |                   | D            |               |               | 380-480V          |      |
|                       |                   | C            |               |               | 500-600V          |      |
|                       | CFW500 G2         | A/B/C/D      |               |               | 200-240V          |      |
|                       |                   | A/B/C/D      |               |               | 380-480V          |      |
|                       |                   | C            |               |               | 500-600V          |      |
|                       |                   |              |               | <=24A         | 200-240V          | IP66 |
|                       |                   |              |               | <=16A         | 380-480V          | IP66 |
|                       |                   | A            |               |               | 200-240V          | IP66 |
|                       |                   | A            |               |               | 380-480V          | IP66 |
|                       | CFW501            | A/B/C/D      |               |               | 200-240V          |      |
|                       |                   | A/B/C        |               |               | 380-480V          |      |
|                       | CFW700            |              |               | <=16A         | 200-240V          |      |
|                       |                   |              |               | <=13,5A       | 380-480V          |      |
|                       |                   |              |               | <=17A         | 500-600V          |      |
|                       | CFW701 HVAC       |              |               | <=28A         | 200-240V          |      |
|                       |                   |              |               | <=17A         | 380-480V          |      |
|                       |                   |              | <=12A         | 500-600V      |                   |      |
|                       |                   |              | <=16A         | 200-240V      | IP55              |      |
|                       |                   |              | <=13,5A       | 380-480V      | IP55              |      |
| CFW11                 |                   |              | <=16A         | 200-240V      |                   |      |
|                       |                   |              | <=13A         | 380-480V      |                   |      |
|                       |                   |              | <=10          | 200-240V      | IP55              |      |
|                       |                   |              | <=5A          | 380-480V      | IP55              |      |
| Soft Starters         | SSW05             |              | All           |               |                   |      |
|                       | SSW07             |              | <=85A         | 220-575V      |                   |      |
|                       | SSW06             |              | <=130A        | 220-575V      |                   |      |
|                       |                   |              | <=85A         | 575-690V      |                   |      |
|                       | SSW900            |              | <=61A         | 220-575V      |                   |      |

## Controls

| Product                                     | Product Reference   | Covered Products       |
|---|---|------------------------|
| <b>Circuit Breakers and Disconnects</b>     | <b>DWB, UBW, UMBW, MSW, MSWB</b>                                | Limited to \$100 value |
| <b>Contactors, Motor Protectors, Relays</b> | <b>MPW, CWC, CWB, CWBN, CWBS, CWM, RW, RTW, RPW, RNW, SSW01</b> |                        |
| <b>Starters</b>                             | <b>ESW, PESW</b>  |                        |
|   | <b>ESWC, ESWE, ESWF, ESWX</b>                                   |                        |
| <b>Operator Devices and Terminal Blocks</b> | <b>CSW, BTW</b>   |                        |
| <b>Capacitors</b>                           | <b>UCWT, BCW</b>  |                        |

## Warranty on Products not included in “No-Fault” Warranty Process

WEG Automation products are warranted against defects in workmanship and materials for eighteen (18) months from invoicing date if the following requirements are met:

- Suitable transportation, handling and storage;
  - Correct installation within the specified environmental conditions and without the presence of:
  - Direct exposure to sunlight, rain, high humidity, or sea-air
  - Inflammable or corrosive gases or liquids
  - Excessive vibrations
  - Dust, metallic particles, and oil mist
  - See your user manual for additional installation requirements
- Operation within the designed capacity limits
- Performance of scheduled preventive maintenance
- Repairs and/or modifications only made by authorized WEG service, proof required for warranty
- In the case of any deficiency, the equipment must be available for sufficient time for the technician to identify the cause of the failure and undertake the proper repairs
- The purchaser must report any faults immediately so that WEG Automation can verify the workmanship or material failure. Repair services during the warranty period may be made, at WEG’s discretion, at the purchaser’s location, at an Authorized Service Center (ASC) if available, or at a WEG Electric facility. WEG may, at their discretion, choose to pay for disassembling and assembling services, product or part transportation costs, travel tickets, hotel accommodations, food expenses and overtime of service employees, when the services are performed at the customer’s facilities. Fuses and other components in which the useful life in normal use is shorter than the warranty period are excluded from this warranty. Repairs and /or replacements of parts or products made within the warranty period do not prolong the original warranty period. The warranty is limited to only the supplied product; WEG shall not have any obligation for personal injuries to third parties, damage to other equipment or facilities, loss of profits or consequential damages.



## Communication

Correspondence with the WEG Automation Service Department may be via e-mail ([automationtech@weg.net](mailto:automationtech@weg.net)). Please keep a picture of all labels with serial number information for your records.

## Limited Warranty:

WEG Electric Corp. is proud of all our product lines. WEG and its employees are committed to our customers and users to provide the best designed and manufactured motors, drives and controls. WEG provides a limited warranty on our products against defects in materials and workmanship for a specific period from the date of purchase. If a product date code is within its stated warranty period (18 months, 36 months, etc.), no proof of purchase is required. Otherwise, a copy of the invoice is necessary to show the date of purchase. Purchases of WEG products from unauthorized dealers or distributors, even of otherwise “new” WEG products, voids warranty coverage. WEG’s authorized distributors are shown under “Support” “Where to Buy” on our website at [www.weg.net](http://www.weg.net)

## Warranty Service:

If a WEG product requires warranty service due to defective materials or workmanship, WEG will, at its option, either repair or replace the defective product. By “replace”, WEG Automation Service Department will be shipping a replacement product. If warranty is granted, and replacement is specified, the drive or soft starter label with serial number information must be sent to the Automation Service Dept. Warranty is applied to products that have been, at all times, properly maintained and operated or used under normal operating conditions for which the product was designed. WEG is not responsible for any expenses incurred in installation, removal from service, transportation (freight) or consequential expenses.





# OPTIMAL MATCH WARRANTY

WEG Optimal Match Warranty is a thirty-six (36) month warranty available when a WEG low voltage motor is applied with a WEG low voltage drive or soft starter. In order to qualify for this warranty, the products must be registered and approved by WEG's warranty department using this Optimal Match Warranty form. This offer is only available in the US.

The following products and combinations are eligible for the Optimal Match Warranty:

- Drives and motors that qualify for this Optimal Match Warranty are W22 motors coupled with CFW11 up to 600HP (720A); all CFW100, CFW300, CFW500/501, CFW700/701; and CFW08 drives.
- Soft starters and motors that qualify for this Optimal Match Warranty are W22 motors coupled with SSW06 up to 700HP (820A); all SSW05, SSW07 and SSW900 soft starters up to 700HP (820A)
- Medium Voltage soft starters and motors that qualify for this Optimal Match Warranty are stock W22MV and W50MV up to 800HP coupled with SSW7000 stock soft starters.

When the drive or soft starter is invoiced on the same date as the motor, the Optimal Match Warranty will be eligible on the invoice date, however the Optimal Match Warranty request (this form) must be sent within 180 days of purchase.

When the drive or soft starter is invoiced on a different date as the motor, the following conditions apply to be eligible for the Optimal Match Warranty:

- The Optimal Match Warranty shall be started from the first invoice date (Drive, Soft Starter or Motor).
- The Optimal Match Warranty request (this form) must be sent within 180 days from the date of the later product purchase.
- The dates of the original invoices of both products cannot be over than 90 days apart.
- Maximum warranty period will be 36 months total from the date of the earlier original product invoice.

Please fill in the following information completely; otherwise this application will be void. Please send this form to [automationtech@weg.net](mailto:automationtech@weg.net)

| CUSTOMER INFORMATION                |              |
|-------------------------------------|--------------|
| DATE:                               | ACCOUNT No.: |
| COMPANY:                            | PHONE:       |
| CONTACT:                            | EMAIL:       |
| LOCATION OF APPLICATION             |              |
| STREET:                             |              |
| CITY / STATE / ZIP:                 |              |
| ORDER INFORMATION                   |              |
| DRIVE / SOFT STARTER PURCHASE DATE: | ORDER No.:   |
| MOTOR PURCHASE DATE:                | ORDER No.:   |
| PRODUCT INFORMATION                 |              |
| DRIVE or SOFT STARTER               | MOTOR        |
| MODEL No.:                          | MODEL No.:   |
| SERIAL No.:                         | SERIAL No.:  |

WEG ELECTRIC FORM: WSD-BB010-VERSION 4

## Extended Warranty:

Under certain conditions WEG may offer a customer an extended warranty to cover the equipment beyond Standard Listed above. There are three different options to extend the warranty. Note they cannot be stacked, customer must decide from the three options which one will be purchased.

### a. Extended Warranty purchased with original equipment

If a customer wishes to purchase additional warranty coverage beyond the WEG standard he may do so at a cost of 2.5% of the selling price of the drive/soft starter, per year of coverage, up to a maximum coverage of 4 additional years. This coverage must be purchased at the time of the equipment purchase.

### b. Extended Warranty purchased after the purchased of the original equipment

Includes equipment in use, or during and after extended storage. If a customer wishes to purchase additional warranty coverage after the purchase has been made, the cost would be the same as for an extended warranty purchased with the original equipment, but additionally, a WEG service engineer must fully inspect the equipment and bring the equipment up to normal standards of maintenance. This would entail a visit to the site, complete inspection and cleaning of all components, filters, cabinets, etc. replacement of any parts that the engineer deems in need of replacement; inspection and tightening of all electrical connections; and inspection and replacement of any circuit boards that need repair. This service would be at the customer's expense, using the current field service rates. If, during the course of the inspection, the service engineer determines that the equipment has been abused, mishandled or misapplied, WEG may decline to extend the warranty as requested. Under such circumstances, the customer is still responsible for the service charges incurred for the inspection and maintenance.

### c. Extended Warranty purchased with a certified Start-up

WEG Electric offers a 12-month extended warranty with a paid startup of Low Voltage Variable Speed Drives and Soft-starters. The startup must be managed by WEG Automation service Department.

## Return Policy

WEG products that are purchased from our stocking warehouses must be returned within 90 days, freight to be paid by customer. Returned products must be unused, and in undamaged original packaging. If products are ordered incorrectly by the customer and need to be returned to stock, then a 20% re-stocking charge will be applied. If the returned products are deemed not to be in unused, undamaged condition, or in original packaging, then additional fees will be applied (up to and including full price of item). Returns on any modified products will not be allowed. Any products that are ordered as specials (with features that would not allow them to be stocked items) cannot be returned.

## Credit and replacements

For any possible warranty failure, WEG Automation service department must be advised and it will be sending replacements, at WEG's discretion. Customer cannot purchase a new drive and claim the credit reimbursement, automation service needs to handle the replacements, free of cost to customer. Later failure analysis will be made and the warranty determination will be communicated to the customer. If would be determined that is not warranty, customer will need to pay for the replacement unit.

## Proper Storage of Products:

When automation products are not immediately installed, they should be stored in their normal upright position in a dry even temperature location, free of dust, gases and corrosive atmosphere. Drives stored for a period exceeding one year should have the reforming process done prior to the installation, for more info, please contact automation service department.

## Accredited Service Centers:

WEG has service centers around the world to meet the needs of our customers. Information regarding the nearest service center can be found on our web site at <https://www.weg.net/institutional/US/en/contact/service-network>. Any warranty repair by a service shop must be pre-approved by WEG Automation service Department.

## Limitation of Warranty:

THE FOREGOING WARRANTIES ARE EXCLUSIVE AND IN LIEU OF ALL OTHER WARRANTIES OF QUALITY AND PERFORMANCE, WRITTEN, ORAL OR IMPLIED, AND ALL OTHER WARRANTIES INCLUDING ANY IMPLIED WARRANTIES OF MERCHANTABILITY OR FITNESS FOR A PARTICULAR PURPOSE OR ARISING FROM COURSE OF DEALING OR USAGE OF TRADE ARE HEREBY DISCLAIMED BY WEG. THE FOREGOING OBLIGATION TO REPAIR OR REPLACE WEG PRODUCTS OR PARTS SHALL BE THE SOLE AND EXCLUSIVE REMEDY OF THE PURCHASER, ITS CUSTOMERS, OR USERS OF THE PRODUCTS OR PARTS.

## Contact WEG Automation Service:

Toll-Free: 1-877-934-3748 or email by [automationtech@weg.net](mailto:automationtech@weg.net)

- INDEX
- WARRANTY INFO
- CFW100 G2
- CFW300
- CFW500 G2
- CFW500 G1
- CFW700
- CFW11
- CFW11M
- PUMP GENIUS
- CFW501
- CFW701
- SSW05
- SSW07
- SSW900
- SSW7000
- EDP11
- GPH2
- APSS9
- MFM

## NOTES:

---

---

---

---

---

---

---

---

---

---

---

---

---

---

---

---

---

---

---

---

---

---

---

---

---

---

---

---

---

---



| HP   | RPM  | Frame | Voltage     | Soft Starter<br>Enclosure Rating: IP00 / IP20 |                      | Variable Frequency Drive Enclosure Rating: IP20 |                      |
|------|------|-------|-------------|---|----------------------|---|----------------------|
|      |      |       |             | Motor Wired for 230V                          | Motor Wired for 460V | Motor Wired for 230V                            | Motor Wired for 460V |
|      |      |       |             |   |                      |   |                      |
| 0.25 | 3600 | 56    | 208-230/460 |   |                      | CFW100A01P6S220G2                               | CFW500A01P0T4NB20G2  |
|      | 1800 | 56    | 208-230/460 |   |                      | CFW100A01P6S220G2                               | CFW500A01P0T4NB20G2  |
| 0.33 | 3600 | 56    | 208-230/460 |   |                      | CFW100A01P6S220G2                               | CFW500A01P0T4NB20G2  |
|      | 1800 | 56    | 208-230/460 |   |                      | CFW100A01P6S220G2                               | CFW500A01P0T4NB20G2  |
| 0.5  | 3600 | 56    | 208-230/460 |   |                      | CFW100B02P6S220G2                               | CFW500A01P6T4NB20G2  |
|      | 1800 | 56    | 208-230/460 |   |                      | CFW100B02P6S220G2                               | CFW500A01P6T4NB20G2  |
|      | 1200 | 56    | 208-230/460 |   |                      | CFW100B02P6S220G2                               | CFW500A01P6T4NB20G2  |
| 0.75 | 3600 | 56    | 208-230/460 |   |                      | CFW100C04P2S220G2                               | CFW500A01P6T4NB20G2  |
|      | 1800 | 56    | 208-230/460 |   |                      | CFW100C04P2S220G2                               | CFW500A01P6T4NB20G2  |
|      | 1200 | 56    | 208-230/460 |   |                      | CFW100C04P2S220G2                               | CFW500A01P6T4NB20G2  |
| 1    | 3600 | 56    | 208-230/460 |   |                      | CFW100C04P2S220G2                               | CFW500A02P6T4NB20G2  |
|      | 1800 | 56    | 208-230/460 |   |                      | CFW100C04P2S220G2                               | CFW500A02P6T4NB20G2  |
|      | 1800 | 143T  | 208-230/460 |   |                      | CFW100C04P2S220G2                               | CFW500A02P6T4NB20G2  |
|      | 1200 | 56    | 208-230/460 |   |                      | CFW100C04P2S220G2                               | CFW500A02P6T4NB20G2  |
|      | 1200 | 145T  | 208-230/460 |   |                      | CFW100C04P2S220G2                               | CFW500A02P6T4NB20G2  |
| 1.5  | 3600 | 143T  | 208-230/460 | SSW050010T2246TPZ                             |                      | CFW300A06P0T2NB20                               | CFW500A04P3T4NB20G2  |
|      | 1800 | 56    | 208-230/460 | SSW050010T2246TPZ                             |                      | CFW300A06P0T2NB20                               | CFW500A04P3T4NB20G2  |
|      | 1800 | 145T  | 208-230/460 | SSW050010T2246TPZ                             |                      | CFW300A06P0T2NB20                               | CFW500A04P3T4NB20G2  |
|      | 1200 | 182T  | 208-230/460 | SSW050010T2246TPZ                             |                      | CFW300A06P0T2NB20                               | CFW500A04P3T4NB20G2  |
| 2    | 3600 | 145T  | 208-230/460 | SSW050010T2246TPZ                             | SSW050010T2246TPZ    | CFW300A07P3T2NB20                               | CFW500A04P3T4NB20G2  |
|      | 1800 | 56    | 208-230/460 | SSW050010T2246TPZ                             | SSW050010T2246TPZ    | CFW300A07P3T2NB20                               | CFW500A04P3T4NB20G2  |
|      | 1800 | 145T  | 208-230/460 | SSW050010T2246TPZ                             | SSW050010T2246TPZ    | CFW300A07P3T2NB20                               | CFW500A04P3T4NB20G2  |
|      | 1200 | 184T  | 208-230/460 | SSW050010T2246TPZ                             | SSW050010T2246TPZ    | CFW300A07P3T2NB20                               | CFW500A04P3T4NB20G2  |
| 3    | 3600 | 182T  | 208-230/460 | SSW050010T2246TPZ                             | SSW050010T2246TPZ    | CFW500B10P0B2DB20G2                             | CFW500B06P5T4DB20G2  |
|      | 1800 | 182T  | 208-230/460 | SSW050010T2246TPZ                             | SSW050010T2246TPZ    | CFW500B10P0B2DB20G2                             | CFW500B06P5T4DB20G2  |
|      | 1200 | 213T  | 208-230/460 | SSW050010T2246TPZ                             | SSW050010T2246TPZ    | CFW500B10P0B2DB20G2                             | CFW500B06P5T4DB20G2  |
| 5    | 3600 | 184T  | 208-230/460 | SSW050016T2246TPZ                             | SSW050010T2246TPZ    | CFW500B16P0T2DB20G2                             | CFW500B10P0T4DB20G2  |
|      | 1800 | 184T  | 208-230/460 | SSW050016T2246TPZ                             | SSW050010T2246TPZ    | CFW500B16P0T2DB20G2                             | CFW500B10P0T4DB20G2  |
|      | 1200 | 215T  | 208-230/460 | SSW050016T2246TPZ                             | SSW050010T2246TPZ    | CFW500B16P0T2DB20G2                             | CFW500B10P0T4DB20G2  |
| 7.5  | 3600 | 213T  | 208-230/460 | SSW050023T2246TPZ                             | SSW050016T2246TPZ    | CFW500C24P0T2DB20G2                             | CFW500C14P0T4DB20G2  |
|      | 1800 | 213T  | 208-230/460 | SSW050023T2246TPZ                             | SSW050016T2246TPZ    | CFW500C24P0T2DB20G2                             | CFW500C14P0T4DB20G2  |
|      | 1200 | 254T  | 208-230/460 | SSW050023T2246TPZ                             | SSW050016T2246TPZ    | CFW500C24P0T2DB20G2                             | CFW500C14P0T4DB20G2  |
| 10   | 3600 | 215T  | 208-230/460 | SSW050030T2246TPZ                             | SSW050016T2246TPZ    | CFW500D28P0T2DB20G2                             | CFW500C16P0T4DB20G2  |
|      | 1800 | 215T  | 208-230/460 | SSW050030T2246TPZ                             | SSW050016T2246TPZ    | CFW500D28P0T2DB20G2                             | CFW500C16P0T4DB20G2  |
|      | 1200 | 256T  | 208-230/460 | SSW050030T2246TPZ                             | SSW050016T2246TPZ    | CFW500D28P0T2DB20G2                             | CFW500C16P0T4DB20G2  |
| 15   | 3600 | 254T  | 208-230/460 | SSW050045T2246TPZ                             | SSW050023T2246TPZ    | CFW500D47P0T2DB20G2                             | CFW500D24P0T4DB20G2  |
|      | 1800 | 254T  | 208-230/460 | SSW050045T2246TPZ                             | SSW050023T2246TPZ    | CFW500D47P0T2DB20G2                             | CFW500D24P0T4DB20G2  |
|      | 1200 | 284T  | 208-230/460 | SSW050045T2246TPZ                             | SSW050023T2246TPZ    | CFW500D47P0T2DB20G2                             | CFW500D24P0T4DB20G2  |
| 20   | 3600 | 256T  | 208-230/460 | SSW050060T2246TPZ                             | SSW050030T2246TPZ    | CFW500E56P0T2DB20G2                             | CFW500D31P0T4DB20G2  |
|      | 1800 | 256T  | 208-230/460 | SSW050060T2246TPZ                             | SSW050030T2246TPZ    | CFW500E56P0T2DB20G2                             | CFW500D31P0T4DB20G2  |
|      | 1200 | 286T  | 208-230/460 | SSW050060T2246TPZ                             | SSW050030T2246TPZ    | CFW500E56P0T2DB20G2                             | CFW500D31P0T4DB20G2  |



# WEG Drives and Soft Starters Quick Selection Guide

| HP  | RPM  | Frame | Voltage     | Soft Starter<br>Enclosure Rating: IP00 / IP20 |                      | Variable Frequency Drive Enclosure Rating: IP20 |                                  |
|-----|------|-------|-------------|---|----------------------|---|----------------------------------|
|     |      |       |             | Motor Wired for 230V                          | Motor Wired for 460V | Motor Wired for 230V                            | Motor Wired for 460V             |
| 25  | 3600 | 284TS | 208-230/460 | SSW050085T2246TPZ                             | SSW050045T2246TPZ    | CFW500F77P0T2DB20G2                             | CFW500E39P0T4DB20G2              |
|     | 1800 | 284T  | 208-230/460 | SSW050085T2246TPZ                             | SSW050045T2246TPZ    | CFW500F77P0T2DB20G2                             | CFW500E39P0T4DB20G2              |
|     | 1200 | 324T  | 208-230/460 | SSW050085T2246TPZ                             | SSW050045T2246TPZ    | CFW500F77P0T2DB20G2                             | CFW500E39P0T4DB20G2              |
| 30  | 3600 | 286TS | 208-230/460 | SSW050085T2246TPZ                             | SSW050045T2246TPZ    | CFW500F88P0T2DB20G2                             | CFW500E49P0T4DB20G2              |
|     | 1800 | 286T  | 208-230/460 | SSW050085T2246TPZ                             | SSW050045T2246TPZ    | CFW500F88P0T2DB20G2                             | CFW500E49P0T4DB20G2              |
|     | 1200 | 326T  | 208-230/460 | SSW050085T2246TPZ                             | SSW050045T2246TPZ    | CFW500F88P0T2DB20G2                             | CFW500E49P0T4DB20G2              |
| 40  | 3600 | 324TS | 208-230/460 | SSW070130T5SZ                                 | SSW050060T2246TPZ    | CFW500F0105T2DB20G2                             | CFW500E49P0T4DB20G2 <sup>1</sup> |
|     | 1800 | 324T  | 208-230/460 | SSW070130T5SZ                                 | SSW050060T2246TPZ    | CFW500F0105T2DB20G2                             | CFW500E49P0T4DB20G2 <sup>1</sup> |
|     | 1200 | 364T  | 208-230/460 | SSW070130T5SZ                                 | SSW050060T2246TPZ    | CFW500F0105T2DB20G2                             | CFW500E49P0T4DB20G2 <sup>1</sup> |
| 50  | 3600 | 326TS | 208-230/460 | SSW070130T5SZ                                 | SSW050085T2246TPZ    | CFW500G0145T2NB20G2                             | CFW500F77P0T4DB20G2              |
|     | 1800 | 326T  | 208-230/460 | SSW070130T5SZ                                 | SSW050085T2246TPZ    | CFW500G0145T2NB20G2                             | CFW500F77P0T4DB20G2              |
|     | 1200 | 365T  | 208-230/460 | SSW070130T5SZ                                 | SSW050085T2246TPZ    | CFW500G0145T2NB20G2                             | CFW500F77P0T4DB20G2              |
| 60  | 3600 | 364TS | 208-230/460 | SSW070171T5SZ                                 | SSW050085T2246TPZ    | CFW500G0180T2NB20G2                             | CFW500F88P0T4DB20G2              |
|     | 1800 | 364T  | 208-230/460 | SSW070171T5SZ                                 | SSW050085T2246TPZ    | CFW500G0180T2NB20G2                             | CFW500F88P0T4DB20G2              |
|     | 1200 | 404T  | 208-230/460 | SSW070171T5SZ                                 | SSW050085T2246TPZ    | CFW500G0180T2NB20G2                             | CFW500F88P0T4DB20G2              |
| 75  | 3600 | 365TS | 208-230/460 | SSW070200T5SZ                                 | SSW070130T5SZ        | CFW500G0211T2NB20G2                             | CFW500F0105T4DB20G2              |
|     | 1800 | 365T  | 208-230/460 | SSW070200T5SZ                                 | SSW070130T5SZ        | CFW500G0211T2NB20G2                             | CFW500F0105T4DB20G2              |
|     | 1200 | 405T  | 208-230/460 | SSW070200T5SZ                                 | SSW070130T5SZ        | CFW500G0211T2NB20G2                             | CFW500F0105T4DB20G2              |
| 100 | 3600 | 405TS | 208-230/460 | SSW070255T5SH1Z                               | SSW070130T5SZ        |   | CFW500G0142T4NB20G2              |
|     | 1800 | 405T  | 208-230/460 | SSW070255T5SH1Z                               | SSW070130T5SZ        |   | CFW500G0142T4NB20G2              |
|     | 1200 | 444T  | 208-230/460 | SSW070255T5SH1Z                               | SSW070130T5SZ        |   | CFW500G0142T4NB20G2              |
| 125 | 3600 | 444TS | 460         | SSW070312T5SH1Z                               | SSW070171T5SZ        |   | CFW500G0180T4NB20G2              |
|     | 1800 | 444T  | 460         | SSW070312T5SH1Z                               | SSW070171T5SZ        |   | CFW500G0180T4NB20G2              |
|     | 1200 | 445T  | 460         | SSW070312T5SH1Z                               | SSW070171T5SZ        |   | CFW500G0180T4NB20G2              |
| 150 | 3600 | 445TS | 460         | SSW070365T5SH1Z                               | SSW070200T5SZ        |   | CFW500G0211T4NB20G2              |
|     | 1800 | 445T  | 460         | SSW070365T5SH1Z                               | SSW070200T5SZ        |   | CFW500G0211T4NB20G2              |
|     | 1200 | 447T  | 460         | SSW070365T5SH1Z                               | SSW070200T5SZ        |   | CFW500G0211T4NB20G2              |
| 200 | 3600 | 447TS | 460         |   | SSW070255T5SH1Z      |   | CFW110242T4SZ                    |
|     | 1800 | 447T  | 460         |   | SSW070255T5SH1Z      |   | CFW110242T4SZ                    |
|     | 1200 | 447T  | 460         |   | SSW070255T5SH1Z      |   | CFW110242T4SZ                    |
| 250 | 3600 | 447TS | 460         |   | SSW070312T5SH1Z      |   | CFW110312T4SZ                    |
|     | 1800 | 447T  | 460         |   | SSW070312T5SH1Z      |   | CFW110312T4SZ                    |
|     | 1200 | 449T  | 460         |   | SSW070312T5SH1Z      |   | CFW110312T4SZ                    |
| 300 | 3600 | 449TS | 460         |   | SSW070365T5SH1Z      |   | CFW110370T4SZ                    |
|     | 1800 | 449T  | 460         |   | SSW070365T5SH1Z      |   | CFW110370T4SZ                    |
|     | 1200 | 449T  | 460         |   | SSW070365T5SH1Z      |   | CFW110370T4SZ                    |

Notes:  
1) CFW500 drives must have FM V3.70 or higher. Max. ambient temperature 40°C.

## CFW100-G2 (GENERATION-2)

Technology is at your fingertips with the incredible smallest volume VFD in the market. The CFW100 is a single-phase variable speed drive developed for simple applications ranging from 0.25 to 1 HP. (0.18 kW to 0.75 kW)

A strong partner for OEMs, it gives induction motors a selectable scalar (V/F) or voltage vector control (VVW), HMI and plug and play philosophy, with easy and fast installation and operation.

### Standard Features

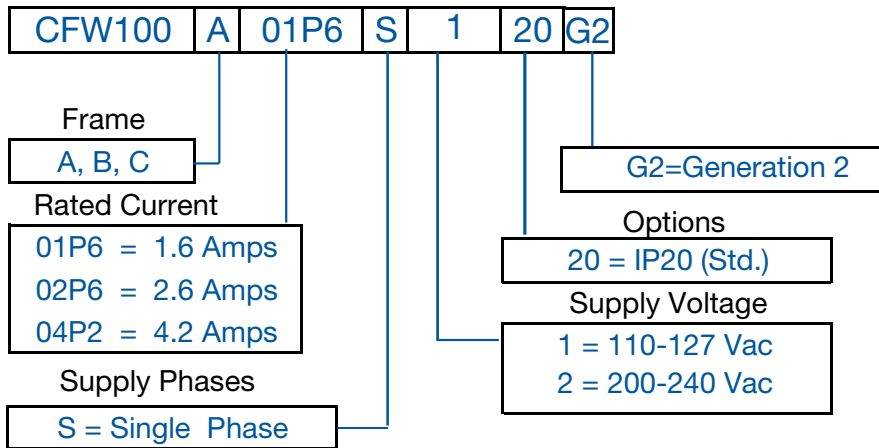
- Robust - Overload current: 150% for 60 seconds  
Ambient temperature: up to 50 °C
- SoftPLC - PLC functions: making it a flexible and optimized solution
- PID Controller - Performance: changes in pressure, flow or other external data
- Communication Protocol - Modbus-RTU and CANopen using plug-in modules
- Conformal Coating as Standard - Increasing the lifetime, protecting the electronic boards against corrosive atmospheres. Classified as 3C2 according to IEC 60721-3-3



### Applications

- Food and Beverage
- Small handling
- Air circulation
- Medical and health sector
- Machines with single-phase power source
- New markets (solar, etc.)
- Packaging Lines
- Sorting Conveyors

### CFW100 Catalog Number Sequence



*Table intended as reference and not to create part numbers.*

## CFW100-G2

### CFW100 - G2 GENERATION 2 (IP20 Finger Safe Enclosure)

| Motor Voltage          | Motor HP <sup>1</sup>                           | Drive Amps <sup>2</sup> | Catalog Number                    | Frame Size | Dimensions (in.) HxWxD | Approx. Weight (lbs.) | List Price   | Multiplier New (Old) |
|------------------------|---|-------------------------|-----------------------------------|------------|------------------------|-----------------------|--------------|----------------------|
| 230 Vac<br>Three Phase | <b>Input Power Supply: Single-Phase 120 Vac</b> |                         |                                   |            |                        |                       |              |                      |
|                        | 1/4 - 1/3                                       | 1.6                     | <a href="#">CFW100A01P6S120G2</a> | A          | 4.0 x 2.2 x 5.1        | 1.1                   | <b>\$307</b> | V1U (V1)             |
|                        | 3/4   | 2.6                     | <a href="#">CFW100B02P6S120G2</a> | B          | 4.6 x 2.2 x 5.1        | 1.3                   | <b>\$335</b> | V1U (V1)             |
|                        | <b>Input Power Supply: Single-Phase 240 Vac</b> |                         |                                   |            |                        |                       |              |                      |
|                        | 1/4 - 1/3                                       | 1.6                     | <a href="#">CFW100A01P6S220G2</a> | A          | 4.0 x 2.2 x 5.1        | 1.1                   | <b>\$275</b> | V1U (V1)             |
|                        | 3/4   | 2.6                     | <a href="#">CFW100B02P6S220G2</a> | B          | 4.6 x 2.2 x 5.1        | 1.3                   | <b>\$296</b> | V1U (V1)             |
|                        | 1   | 4.2                     | <a href="#">CFW100C04P2S220G2</a> | C          | 5.0 x 2.2 x 5.1        | 1.4                   | <b>\$315</b> | V1U (V1)             |

1) "HP" rating based on "average FLA values". Use as a guide only.

2) Motor FLA may vary with speed and manufacturer. ALWAYS compare motor FLA to Nominal AMPS of drive. For other technical data please refer to WEG product manual.

### Options and Accessories

| Type                   | Catalog Number                    | Description   | Approx. Weight (lbs.) | List Price   | Multiplier New (Old) |
|------------------------|-----------------------------------|---|-----------------------|--------------|----------------------|
| <b>CFW Accessories</b> |                                   |   |                       |              |                      |
| I/O                    | <a href="#">CFW100-IOAR</a>       | CFW100 I/O Expansion Module - 1 AI, 1 DO                      | 0.2                   | <b>\$81</b>  | V1U (V1)             |
| I/O                    | <a href="#">CFW100-IOA</a>        | CFW100 I/O Expansion Module - 1 AI, 1 AO                      | 0.2                   | <b>\$99</b>  | V1U (V1)             |
| I/O                    | <a href="#">CFW100-IOD</a>        | CFW100 I/O Exp. Module - 4 DI, PNP or NPN                     | 0.2                   | <b>\$82</b>  | V1U (V1)             |
| I/O                    | <a href="#">CFW100-IOADR</a>      | CFW100 I/O Exp. and Encoder Module - 3DI, 3DOR                | 0.2                   | <b>\$220</b> | V1U (V1)             |
| I/O                    | <a href="#">CFW100-IOP</a>        | CFW100 Potentiometer Module <sup>4</sup>                      | 0.2                   | <b>\$90</b>  | V1U (V1)             |
| InfraRed               | <a href="#">CFW100-IOADR</a>      | I/O Exp. and InfraRed Comm. Module 1 - 1AI, 3DOR <sup>1</sup> | 0.4                   | <b>\$207</b> | V1U (V1)             |
| USB Card               | <a href="#">CFW100-CUSB</a>       | CFW100 USB Communication Module <sup>2</sup>                  | 0.2                   | <b>\$87</b>  | V1U (V1)             |
| RS485 Card             | <a href="#">CFW100-CRS485</a>     | CFW100 RS-485 Communication Module                            | 0.2                   | <b>\$82</b>  | V1U (V1)             |
| CANopen Card           | <a href="#">CFW100-CCAN</a>       | CFW100 CANopen and DeviceNet Comm. Module                     | 0.2                   | <b>\$195</b> | V1U (V1)             |
| Flash Memory Module    | <a href="#">CFW100-CFW300-MMF</a> | CFW100/300 Flash Memory Module                                | 0.4                   | <b>\$210</b> | GA (V1)              |
| Remote Keypad Kit      | <a href="#">CFW100-KHMIR</a>      | CFW100 Remote Keypad Kit <sup>3</sup>                         | 0.4                   | <b>\$256</b> | V1U (V1)             |
| RFI Filter Kit         | <a href="#">CFW100-KFABC-S1</a>   | RFI Filter Kit - 110 V  | 0.7                   | <b>\$126</b> | V1U (V1)             |
|                        | <a href="#">CFW100-KFABC-S2</a>   | RFI Filter Kit - 220 V  | 0.7                   | <b>\$90</b>  | V1U (V1)             |

1) CFW100-IOADR includes InfraRed receiver with 1.5 meter cable and InfraRed remote control

2) CFW100-USB Communication Module includes 2-meter Mini-USB cable

3) CFW100-KHMIR Remote Keypad Kit includes Remote Keypad: CFW100-CRS485 module; 3-meter Mini-USB cable

4) CFW100-IOP works only with CFW100 G2 drives.

| CFW100 Option Module          | Option Module I/O Table |         |    |     |         |          |     |       |         |
|-------------------------------|-------------------------|---------|----|-----|---------|----------|-----|-------|---------|
|                               | DI <sup>1</sup>         | AI      | AO | DOR | Encoder | Infrared | USB | RS485 | CANopen |
| <a href="#">CFW100-IOAR</a>   |                         | 1       |    | 1   |         |          |     |       |         |
| <a href="#">CFW100-IOA</a>    |                         | 1       | 1  |     |         |          |     |       |         |
| <a href="#">CFW100-IOD</a>    | 4                       |         |    |     |         |          |     |       |         |
| <a href="#">CFW100-IOADR</a>  | 3                       |         |    | 3   | 1       |          |     |       |         |
| <a href="#">CFW100-IOADR</a>  |                         | 1       |    | 3   |         | 1        |     |       |         |
| <a href="#">CFW100-IOP</a>    |                         | 1 (POT) |    |     |         |          |     |       |         |
| <a href="#">CFW100-CUSB</a>   |                         |         |    |     |         |          | 1   |       |         |
| <a href="#">CFW100-CRS485</a> |                         |         |    |     |         |          |     | 1     |         |
| <a href="#">CFW100-CCAN</a>   |                         |         |    |     |         |          |     |       | 1       |

1) CFW100 Drive includes 4DI as standard. Option Modules provide supplemental I/O as shown in this table.



### Technical Data

|                                   |   |  |  |
|-----------------------------------|---|--|--|
| <b>Power Supply</b>               | Voltage   | Single Phase   | 200-240 Vac (+10%, -15%)<br>110-127 Vac (+10%, -15%) |
|                                   | Frequency   | 50 / 60Hz +/- 2Hz  |  |
|                                   | Displacement Power Factor (Cos)   | Greater than 0.97  |  |
| <b>Enclosure</b>                  | Degree of Protection  | IP20   |  |
| <b>Control</b>                    | Control Mode  | V/Hz (Scalar)  |  |
|                                   |   | Voltage Vector VVW   |  |
|                                   | Power Output  | IGBT Transistors   |  |
|                                   |   | Sinusoidal PWM (Space Vector Modulation)   |  |
|                                   | Switching Frequency   | 2.5, 5, 10 or 15kHz (5kHz Default)   |  |
|                                   | Frequency Range   | 0-300 Hz, 0.1 Hz resolution  |  |
| Overload Capacity                 | 150% for 60 seconds, repeatable every 6 min.  |  |  |
| <b>Control Inputs and Outputs</b> | 4 programmable 24Vdc isolated digital inputs (other I/O configurations with option cards)   |  |  |
| <b>Safety</b>                     | Protections   | Output phase-to-phase short circuit  | DC link over voltage                                 |
|                                   |   | Output phase-to-ground short circuit   | DC link under voltage                                |
|                                   |   | IGBT peak over current   | Drive over temperature                               |
|                                   |   | Programming error  | External fault                                       |
|                                   |   | Motor Overload   |  |
| Standards                         | UL 508C; UL 840; EN 61800-5-1; EN 50178; EN 60204-1; EN 60146 (IEC 146); EN 61800-2   |  |  |
| <b>Ambient</b>                    | Temperature   | 32°F (0°C), up to 122°F (50°C) without output current derating   |  |
|                                   | Humidity  | 5-95% Non Condensing   |  |
|                                   | Altitude  | 0-3300 ft (1000m); Up to 13,200 ft (4000m) with 1% derating of rated output current per 330ft (100m) above 3300 ft (1000m) elevation |  |
| <b>Regulatory Conformance</b>     | EMC Directive 89 / 336 / EEC  | Electromagnetic compatibility, Industrial Environment<br>EMC Emission and Immunity   |  |
|                                   | ENC61800-3 for the FA version - optional  |  |  |
|                                   | LVD 73/23/EEC   | Low Voltage Directive  |  |
|                                   | UL 508C; UL 50, UL840   | Power Conversion Equipment   |  |
| <b>Special Functions</b>          | Linear and "S" ramp accel and decel, local/remote control, FWD/REV selection, DC braking, manual and auto torque boost, motor slip compensation, electronic pot, two skip frequencies, maximum and minimum adjustable frequency limits, adjustable output current limit, 8 present speeds and JOG, PID Controller |  |  |
| <b>Keypad with HMI</b>            | 3 digit LCD display and 4 keys  |  |  |
|                                   | Readouts for: output frequency (Hz), output current (A), output voltage (V), value proportional to frequency (Ex: RPM), heatsink temperature, fault and status messages.  |  |  |
| <b>Mounting</b>                   | DIN Rail mounting   |  |  |
| <b>Communications</b>             | Modbus-RTU  | CFW100-CRS485 Optional Plug-in Module  |  |
|                                   | CANopen/Devicenet   | CFW100-CCAN Optional Plug-in Module  |  |
| <b>Connectivity</b>               | USB   | CFW100-CUSB Optional Plug-in Module  |  |

## CFW300

The CFW300 variable frequency drive is a high-performance VFD for three-phase induction motors. It is ideal for applications on machines or equipment that require precise control with easy setup and operation.

The CFW300 features a compact size with contactor-style electrical connections (top in / bottom out). The VFD's performance can be scaled to match the application by selecting WEG vector control (VVW) or scalar control (V/F). The CFW300 includes built-in operator interface (HMI) and SoftPLC with free WPS programming software for custom tailored control schemes. A variety of plug-in option modules for additional I/O and communications protocols may be added to provide extended capabilities, making the CFW300 a flexible and cost effective solution for your variable speed requirements.



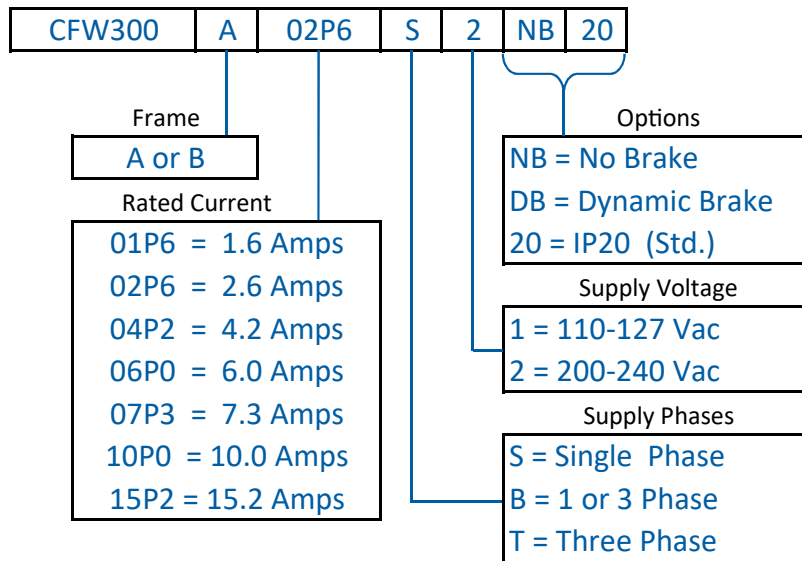
### Standard Features

- Single and three-phase voltage supply
- Din rail or surface mounting with screws
- Voltage range:
  - 110-127 Vac and 200-240 Vac for single-phase models
  - 200-240 Vac for three-phase models
- Current / Power range: up to 15.2 Amps / 3.7 kW (5 HP)
- Control mode: Scalar (V/Hz) or Voltage Vector (VVW)
- Switching frequency: 2.5, 5, 10 or 15kHz
- Overload capacity: 150% for 60 sec. every 10min, 200% for 3 sec. every 10min.
- Degree of protection: IP20
- Operating temperature: 14-122°F (50°C); up to 140°F (60°C) with current derating (2% per 1°C above 50°C)
- Altitude: 0-3300 ft. (1000m); up to 13,200 ft. (4000m) with current derating (1% per 100m above 1000m)
- Humidity: 5 to 95% non-condensing
- Integrated brake chopper for frame size B (not available for size A)
- Local keypad supplied as standard

### Applications

- Centrifugal pumps
- Fans / Blowers
- Blenders / Mixers
- Centrifuges
- Compressors
- Conveyors
- Roller Tables
- Granulators
- Commercial Dryers
- Rotary Filters

### CFW300 Catalog Number Sequence



# Variable Frequency Drives



CFW300

IP20 Enclosure

| Motor Voltage     | Motor HP <sup>1</sup>                               | Drive Output Amps <sup>2</sup> | Catalog Number                                 | Braking Transistor | Frame Size | Dimensions (in.) HxWxD | Approx. Weight Lbs. (kg) | List Price   | Multiplier New (Old) |  |
|-------------------|---|--------------------------------|--|--------------------|------------|------------------------|--------------------------|--------------|----------------------|--|
| 230 Vac / 3 Phase | <b>Input Power Supply: Single-Phase 110-127 Vac</b> |                                |  |                    |            |                        |                          |              |                      |  |
|                   | 1/4 or 1/3  | 1.6                            | <a href="#">CFW300A01P6S1NB20</a>              | No                 | A          | 6.3 x 2.8 x 5.9        | 2.0 (0.9)                | <b>\$361</b> | V1M (V1)             |  |
|                   | 3/4   | 2.6                            | <a href="#">CFW300A02P6S1NB20</a>              | No                 | A          | 6.3 x 2.8 x 5.9        | 2.0 (0.9)                | <b>\$394</b> | V1M (V1)             |  |
|                   | 1   | 4.2                            | <a href="#">CFW300A04P2S1NB20</a>              | No                 | A          | 6.3 x 2.8 x 5.9        | 2.0 (0.9)                | <b>\$420</b> | V1M (V1)             |  |
|                   | 2   | 6.0                            | <a href="#">CFW300A06P0S1NB20</a>              | No                 | A          | 6.3 x 2.8 x 5.9        | 2.0 (0.9)                | <b>\$507</b> | V1M (V1)             |  |
|                   | <b>Input Power Supply: Single-Phase 200-240 Vac</b> |                                |  |                    |            |                        |                          |              |                      |  |
|                   | 1/4 or 1/3  | 1.6                            | <a href="#">CFW300A01P6S2NB20</a>              | No                 | A          | 6.3 x 2.8 x 5.9        | 2.0 (0.9)                | <b>\$323</b> | V1M (V1)             |  |
|                   | 3/4   | 2.6                            | <a href="#">CFW300A02P6S2NB20</a>              | No                 | A          | 6.3 x 2.8 x 5.9        | 2.0 (0.9)                | <b>\$348</b> | V1M (V1)             |  |
|                   | 1   | 4.2                            | <a href="#">CFW300A04P2S2NB20</a>              | No                 | A          | 6.3 x 2.8 x 5.9        | 2.0 (0.9)                | <b>\$371</b> | V1M (V1)             |  |
|                   | 2   | 6.0                            | <a href="#">CFW300A06P0S2NB20</a>              | No                 | A          | 6.3 x 2.8 x 5.9        | 2.0 (0.9)                | <b>\$461</b> | V1M (V1)             |  |
|                   | 2   | 7.3                            | <a href="#">CFW300A07P3S2NB20</a>              | No                 | A          | 6.3 x 2.8 x 5.9        | 2.0 (0.9)                | <b>\$543</b> | V1M (V1)             |  |
|                   | 3   | 10.0                           | <a href="#">CFW300B10P0B2DB20</a> <sup>3</sup> | Yes                | B          | 8.1 x 2.8 x 6.3        | 3.0 (1.4)                | <b>\$648</b> | V1M (V1)             |  |
|                   | <b>Input Power Supply: Three-Phase 200-240 Vac</b>  |                                |  |                    |            |                        |                          |              |                      |  |
|                   | 1/4 or 1/3  | 1.6                            | <a href="#">CFW300A01P6T2NB20</a>              | No                 | A          | 6.3 x 2.8 x 5.9        | 2.0 (0.9)                | <b>\$343</b> | V1M (V1)             |  |
|                   | 3/4   | 2.6                            | <a href="#">CFW300A02P6T2NB20</a>              | No                 | A          | 6.3 x 2.8 x 5.9        | 2.0 (0.9)                | <b>\$376</b> | V1M (V1)             |  |
|                   | 1   | 4.2                            | <a href="#">CFW300A04P2T2NB20</a>              | No                 | A          | 6.3 x 2.8 x 5.9        | 2.0 (0.9)                | <b>\$399</b> | V1M (V1)             |  |
|                   | 2   | 6.0                            | <a href="#">CFW300A06P0T2NB20</a>              | No                 | A          | 6.3 x 2.8 x 5.9        | 2.0 (0.9)                | <b>\$484</b> | V1M (V1)             |  |
|                   | 2   | 7.3                            | <a href="#">CFW300A07P3T2NB20</a>              | No                 | A          | 6.3 x 2.8 x 5.9        | 2.0 (0.9)                | <b>\$571</b> | V1M (V1)             |  |
|                   | 3   | 10.0                           | <a href="#">CFW300B10P0B2DB20</a> <sup>3</sup> | Yes                | B          | 8.1 x 2.8 x 6.3        | 3.0 (1.4)                | <b>\$648</b> | V1M (V1)             |  |
|                   | 5   | 15.2                           | <a href="#">CFW300B15P2T2DB20</a>              | Yes                | B          | 8.1 x 2.8 x 6.3        | 3.0 (1.4)                | <b>\$792</b> | V1M (V1)             |  |

Notes:  
 1) "HP" rating based on "average FLA values". Use as a guide only.  
 2) Motor FLA may vary with speed and manufacturer. ALWAYS compare motor FLA to Nominal AMPS of drive.  
 3) CFW300B10P0B2DB20 is capable of Single-Phase input without derating.  
 For other technical data please refer to WEG product manual.

## Options and Accessories<sup>1</sup>

| Type                     | CATALOG NUMBER                    | Slot | Description   | Approx. Wt. (lbs.) | List Price   | Multiplier New (Old) |
|--------------------------|-----------------------------------|------|---|--------------------|--------------|----------------------|
| RS485 Card               | <a href="#">CFW300-CRS485</a>     | 1    | RS-485 Module; 1 RS-485 Input (Modbus-RTU), 1 Mini USB for Remote Keypad                                  | 0.2                | <b>\$82</b>  | V1M (V1)             |
| RS232 Card               | <a href="#">CFW300-CRS232</a>     | 1    | RS-232 Communication Module (Modbus-RTU); 1 RS232   | 0.2                | <b>\$82</b>  | V1M (V1)             |
| CANopen Card             | <a href="#">CFW300-CCAN</a>       | 1    | CANopen/DeviceNet Comm. Module; 1 CAN/DeviceNet, External 24vdc Power                                     | 0.2                | <b>\$100</b> | V1M (V1)             |
| Profibus DP Card         | <a href="#">CFW300-CPDP</a>       | 1    | Profibus DP Communication Module; 1 Profibus DP 9-Pin Connector   | 0.2                | <b>\$294</b> | V1M (V1)             |
| USB Card                 | <a href="#">CFW300-CUSB</a>       | 1    | USB Communication Module w/ 2-meter Cable; 1 Mini USB   | 0.2                | <b>\$87</b>  | V1M (V1)             |
| Ethernet/IP / Modbus TCP | <a href="#">CFW300-CETH</a>       | 1    | Modbus TCP and ethernet/IP Communication Module <sup>3</sup>  | 0.2                | <b>\$280</b> | V1M (V1)             |
| Potentiometer Card       | <a href="#">CFW300-IOP</a>        | 1    | CFW300 Potentiometer Reference Module <sup>4</sup>  | 0.2                | <b>\$90</b>  | V1M (V1)             |
| Remote Keypad            | <a href="#">CFW300-KHMIR</a>      | 1    | Remote Keypad; Includes CFW300-CRS485 and 3-meter Cable   | 0.4                | <b>\$256</b> | V1M (V1)             |
| I/O <sup>2</sup>         | <a href="#">CFW300-IOAR</a>       | 2    | I/O Expansion Module; 1 AI, 1 AO, 3 DOR, +10vdc   | 0.2                | <b>\$141</b> | V1M (V1)             |
| I/O <sup>2</sup>         | <a href="#">CFW300-IODR</a>       | 2    | I/O Expansion Module; 4 DI, 3 DOR   | 0.2                | <b>\$108</b> | V1M (V1)             |
| I/O <sup>2</sup>         | <a href="#">CFW300-IOAENC</a>     | 2    | I/O and Encoder Module; 1 AI, 2 AO, +10vdc, 1 Incremental Encoder Input +5vdc                             | 0.2                | <b>\$143</b> | V1M (V1)             |
| I/O <sup>2</sup>         | <a href="#">CFW300-IOADR</a>      | 2    | I/O Expansion Module; 1 NTC Sensor Input, 3 DOR <sup>5</sup>  | 0.2                | <b>\$207</b> | V1M (V1)             |
| I/O <sup>2</sup>         | <a href="#">CFW300-IODF</a>       | 2    | I/O Expansion Module: 3 Pulse/frequency Input & 3 Pulse/ Frequency output (10 hz to 3000 hz) <sup>6</sup> | 0.2                | <b>\$115</b> | V1M (V1)             |
| Flash Memory Module      | <a href="#">CFW100-CFW300-MMF</a> | -    | CFW100/300 Flash Memory Module  | 0.2                | <b>\$210</b> | GA (V1)              |
| RFI Filter Kit - Fr. A   | <a href="#">CFW300-KFA-S1-S2</a>  | -    | CFW300 RFI Filter Kit - Frame Size A - SINGLE PHASE INPUT MODELS ONLY (110V-240V)                         | 0.3                | <b>\$90</b>  | V1M (V1)             |
| RFI Filter Kit - Fr. B   | <a href="#">CFW300-KFB-S2</a>     | -    | CFW300 RFI Filter Kit - Frame Size B - SINGLE PHASE INPUT MODELS ONLY (200-240V)                          | 0.3                | <b>\$105</b> | V1M (V1)             |

Notes:  
 1) Up to Qty. (1) I/O Expansion Module plus Qty. (1) Communication Module can be added to the CFW300 VFD.  
 2) Option I/Os are in addition the standard CFW300 I/O which includes: 4 DI, 1 AI, 1 DOR.  
 3) CFW300-CETH Module only works with CFW300 FM V3.00 or higher.  
 4) CFW300-IOP Module only works with CFW300 FM V2.00 or higher. This Module is not UL Listed.  
 5) CFW300-IOADR module works with CFW300 FM V3.01 or higher. This Module is not UL Listed.  
 6) CFW300-IODF module only works with CFW300 FM V1.30 or higher. The I/Os are only accessible through SoftPLC Application.

### Option Card I/O Table

| CFW300<br>Option I/O Module | DI | AI | AO | DOR | Encoder | Infrared | FI (SoftPLC<br>only) | FI (SoftPLC<br>only) |
|-----------------------------|----|----|----|-----|---------|----------|----------------------|----------------------|
| CFW300-IOAR                 |    | 1  | 1  | 3   |         |          |                      |                      |
| CFW300-IODR                 | 4  |    |    | 3   |         |          |                      |                      |
| CFW300-IOAENC               |    | 1  | 2  |     | 1       |          |                      |                      |
| CFW300-IOADR                |    |    |    | 3   |         | 1        |                      |                      |
| CFW300-IODF                 |    |    |    |     |         |          | 3                    | 3                    |

NOTES:

1) The CFW300 Drive includes 4DI, 1AI & 1 DOR as standard. The Option I/O Modules provide additional I/Os as shown in the above table.

Rear view

Front view

Side View



| Frame Size<br>IP20 | Height<br>in. (mm) | Width<br>in. (mm) | Depth<br>in. (mm) | Weight<br>Lbs. (kg) |
|--------------------|--------------------|-------------------|-------------------|---------------------|
| A (w/o RFI)        | 6.3 (157.9)        | 2.8 (70.0)        | 5.9 (148.4)       | 2.0 (0.9)           |
| A (w/RFI)          | 7.8 (196.0)        | 2.8 (70.0)        | 7.5 (190.1)       | 2.9 (1.3)           |
| B (w/o RFI)        | 8.1 (198.9)        | 2.8 (70.0)        | 6.3 (158.4)       | 3.0 (1.4)           |
| B (w/ RFI)         | 9.4 (237.0)        | 2.8 (70.0)        | 7.9 (200.1)       | 4.0 (1.8)           |

## CFW300

### Technical Data

|                                      |   |   |                          |
|--------------------------------------|---|---|--------------------------|
| <b>Power Supply</b>                  | Voltage   | Single Phase  | 110-127 Vac (+10%, -15%) |
|                                      |   | Single Phase or Three Phase   | 200-240 Vac (+10%, -15%) |
|                                      | Frequency   | 50 / 60Hz +/- 2Hz   |                          |
| <b>Output</b>                        | Voltage   | 0-230 Vac Three Phase   |                          |
|                                      | Frequency   | 0-400 Hz, 0.1Hz Resolution  |                          |
| <b>Control</b>                       | Control Modes   | Volts per Hertz (Scalar)  |                          |
|                                      |   | Sensorless Voltage Vector   |                          |
|                                      |   | Sinusoidal PWM (Space Vector Modulation)  |                          |
|                                      | Switching Frequency   | 2.5, 5, 10 or 15kHz   |                          |
|                                      | Frequency Range   | 0-400 Hz  |                          |
|                                      | Overload Capacity   | 150% for 60 seconds, repeatable every 10 min.   |                          |
| <b>Control Inputs</b>                | 4 programmable isolated digital inputs, NPN or 24Vdc logic (PNP)  |   |                          |
|                                      | 1 programmable differential analog input; programmable for current or voltage   |   |                          |
| <b>Control Outputs</b>               | 1 programmable relay output: One NO/NC (Form C) 250 Vac / 0.5 A   |   |                          |
| <b>Communication</b>                 | Field Bus   | Optional modules for RS-485, RS-232, CANopen, DeviceNet, Profibus-DP, USB                             |                          |
|                                      | <b>Safety</b>   | Protections   | Motor over current       |
| Motor overload                       |   |   | DC link under voltage    |
| Output phase-to-phase short circuit  |   |   | Drive over temperature   |
| Output phase-to-ground short circuit |   |   | External fault           |
| Programming error                    |   |   |                          |
| <b>Enclosure</b>                     | Degree of Protection  | IP20  |                          |
|                                      | Mounting  | Surface mounting with screws or DIN rail mounting   |                          |
| <b>Ambient</b>                       | Temperature   | 14 - 122°F (50°C), up to 140°F (60°C) with 2% / 1.8°F (1°C) output current derating                   |                          |
|                                      | Humidity  | 5-95% Non Condensing  |                          |
|                                      | Altitude  | 0-3300 ft (1000m)<br>Up to 13,200 ft (4000m) with 1% / 330ft (100m) output current derating           |                          |
| <b>Regulatory Conformance</b>        | EMC Directive 89 / 336 / EEC  | Electromagnetic compatibility - Industrial Environment EMC Emission and Immunity with optional filter |                          |
|                                      | ENC61800-2, 3, 5-1<br>ENC61800-4-2, 3, 4, 5, 6  |   |                          |
|                                      | LVD 73/23/EEC   | Low Voltage Directive   |                          |
|                                      | UL 508C, UL 840, UL 50  | Electrical Equipment standards  |                          |
| <b>Special Functions</b>             | Linear and "S" ramp accel and decel, local/remote control, FWD/REV selection, DC braking, manual and auto torque boost, motor slip compensation, electronic pot, two skip frequencies, maximum and minimum adjustable frequency limits, adjustable output current |   |                          |
| <b>Keypad</b>                        | 4 digit LCD display and 4 keys  |   |                          |
|                                      | Readouts for: output frequency (Hz), output current (A), output voltage (V), motor torque (%) in vector mode, DC bus voltage (V), value proportional to frequency (Ex.: RPM), fault and status messages   |   |                          |

## CFW500-G2 (GENERATION-2)

The CFW500 has advanced technology plug and play options, developed for fast commissioning, providing great flexibility and competitive advantage while offering excellent performance and reliability. Designed for exclusively industrial or professional use, perfect for OEM, system integrators, panel installers and End Users providing great benefit from the added value. With Generation-2 (G2), the CFW500 drives now offer more features in the same footprint as Generation-1 drives. The power range of CFW500-IP20-G2 drive is now extended to 75HP @ 230VAC and 175HP @ 460VAC. The CFW500-G2 drive also is also available in IP66/ NEMA4X Washdown enclosure which is rated for indoor and outdoor installation in direct sunlight.

### Standard Features

- Same programming as other WEG VFDs including CFW500-Generation-1 drives.
- Built-in SoftPLC.
- Scalar, Vector Control (Senseless and closed loop with encoder feedback) & VVW PM (suitable for fan, Pump and compressor).
- IP20 & NEMA1 (with NEMA1 kit) Enclosure.
- NEMA 4X (IP66) Washdown Enclosure with and without disconnect switch, suitable for indoor and outdoor use (in direct sunlight).
- 200-240V, 380-480V or 500-600 input voltage.
- Heavy Duty rated - 150% current overload capacity.
- 0 to 500 Hz output frequency.
- 2.5 to 15 kHz adjustable switching frequency (5 kHz standard)
- Built-in 24Vdc Power supply (max. 150 mA).
- Built-in RS-485 (Modbus RTU/BACnet) communication.
- Four isolated programmable digital inputs.
- One programmable relay output (1NO, 1NC, 240vac 0.5A).
- One programmable transistor output.
- One isolated programmable analog input (0-10V, 0/4-20mA).
- One isolated programmable analog output (0-10V, 0/4-20mA).
- Optional Safe Torque off Module.
- Pump Genius - Simplex, Multiplex (up to three pumps in parallel) like CFW11 Pump Genius.
- WLP and WPS compatible.



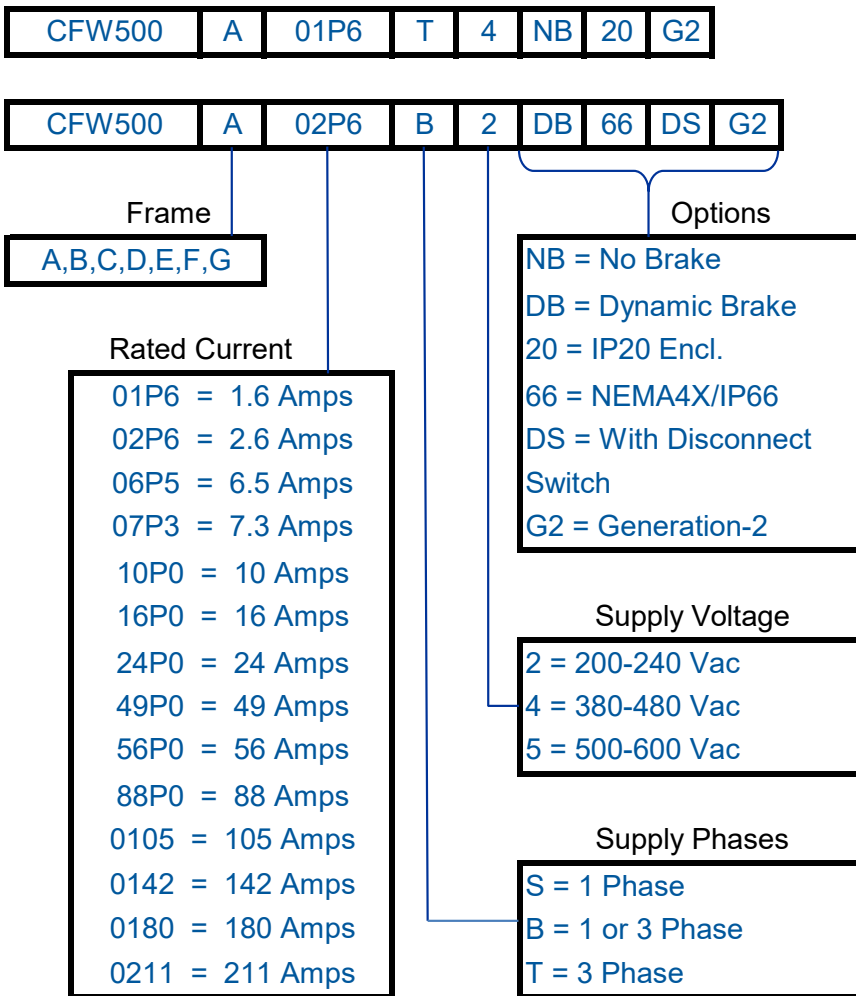
For Indoor / Outdoor Use



### Applications

- Pumps
- Fans/ventilators
- Blowers
- Conveyors
- Rollout tables
- Mixers/Blenders
- Commercial dryers
- Extruders
- General machinery
- Agitators
- Any washdown
- (for NEMA4X/IP66)

### CFW500-G2 Catalog Number Sequence





### CFW500 - IP20 - G2 (GENERATION-2)

#### IP20 Finger Safe Enclosure

| Motor Voltage     | ND / VT <sup>1</sup>   |                         | HD / CT <sup>1</sup>  |                         | Catalog Number       | Braking Transistor | Frame Size <sup>4</sup> | Dimensions (in.) HxWxD | Approx. Weight (lbs.) | List Price | Multiplier New (Old) |
|-------------------|--|-------------------------|-----------------------|-------------------------|----------------------|--------------------|-------------------------|------------------------|-----------------------|------------|----------------------|
|                   | Motor HP <sup>2</sup>  | Drive Amps <sup>3</sup> | Motor HP <sup>2</sup> | Drive Amps <sup>3</sup> |                      |                    |                         |                        |                       |            |                      |
| 230 Vac / 3 Phase | <b>Input Power Supply: Single-Phase 200-240 Vac</b>          |                         |                       |                         |                      |                    |                         |                        |                       |            |                      |
|                   | 1/3  | 1.6                     | 1/3                   | 1.6                     | CFW500A01P6S2NB20G2  | No                 | A                       | 7.5 x 3.0 x 5.9        | 1.8                   | \$451      | V1G (V1)             |
|                   | 3/4  | 2.6                     | 3/4                   | 2.6                     | CFW500A02P6S2NB20G2  | No                 | A                       | 7.5 x 3.0 x 5.9        | 1.8                   | \$463      | V1G (V1)             |
|                   | 1 1/2  | 4.3                     | 1 1/2                 | 4.3                     | CFW500A04P3S2NB20G2  | No                 | A                       | 7.5 x 3.0 x 5.9        | 1.8                   | \$499      | V1G (V1)             |
|                   | 2  | 7.3                     | 2                     | 7.3                     | CFW500A07P0S2NB20G2  | No                 | A                       | 7.5 x 3.0 x 5.9        | 1.8                   | \$633      | V1G (V1)             |
|                   | <b>Input Power Supply: Single or Three-Phase 200-240 Vac</b> |                         |                       |                         |                      |                    |                         |                        |                       |            |                      |
|                   | 1/3  | 1.6                     | 1/3                   | 1.6                     | CFW500A01P6B2NB20G2  | No                 | A                       | 7.5 x 3.0 x 5.9        | 1.8                   | \$456      | V1G (V1)             |
|                   | 3/4  | 2.6                     | 3/4                   | 2.6                     | CFW500A02P6B2NB20G2  | No                 | A                       | 7.5 x 3.0 x 5.9        | 1.8                   | \$467      | V1G (V1)             |
|                   | 1 1/2  | 4.3                     | 1 1/2                 | 4.3                     | CFW500A04P3B2NB20G2  | No                 | A                       | 7.5 x 3.0 x 5.9        | 1.8                   | \$506      | V1G (V1)             |
|                   | 2  | 7.3                     | 2                     | 7.3                     | CFW500B07P3B2DB20G2  | Yes                | B                       | 7.9 x 4.0 x 6.3        | 2.6                   | \$678      | V1G (V1)             |
|                   | 3  | 10.0                    | 3                     | 10.0                    | CFW500B10P0B2DB20G2  | Yes                | B                       | 7.9 x 4.0 x 6.3        | 2.6                   | \$789      | V1G (V1)             |
|                   | <b>Input Power Supply: Three-Phase 200-240 Vac</b>           |                         |                       |                         |                      |                    |                         |                        |                       |            |                      |
|                   | 2  | 7.0                     | 2                     | 7.0                     | CFW500A07P0T2NB20G2  | No                 | A                       | 7.5 x 3.0 x 5.9        | 1.8                   | \$628      | V1G (V1)             |
|                   | 3  | 9.6                     | 3                     | 9.6                     | CFW500A09P6T2NB20G2  | No                 | A                       | 7.5 x 3.0 x 5.9        | 1.8                   | \$773      | V1G (V1)             |
|                   | 5  | 16                      | 5                     | 16                      | CFW500B16P0T2DB20G2  | Yes                | B                       | 7.9 x 4.0 x 6.3        | 2.6                   | \$842      | V1G (V1)             |
|                   | 7 1/2  | 24                      | 7 1/2                 | 24                      | CFW500C24P0T2DB20G2  | Yes                | C                       | 8.3 x 5.3 x 6.5        | 4.4                   | \$1,427    | V1G (V1)             |
|                   | 10   | 28                      | 10                    | 28                      | CFW500D28P0T2DB20G2  | Yes                | D                       | 12.1 x 7.1 x 6.6       | 9.5                   | \$1,777    | V1G (V1)             |
|                   | 10   | 33                      | 10                    | 33                      | CFW500D33P0T2DB20G2  | Yes                | D                       | 12.1 x 7.1 x 6.6       | 9.5                   | \$2,146    | V1G (V1)             |
|                   | 15   | 47                      | 15                    | 47                      | CFW500D47P0T2DB20G2  | Yes                | D                       | 12.1 x 7.1 x 6.6       | 9.5                   | \$2,910    | V1G (V1)             |
|                   | 25*  | 70*                     | 20                    | 56                      | CFW500E56P0T2DB20G2* | Yes                | E                       | 13.8 x 8.7 x 7.6       | 22.1                  | \$3,380    | V1G (V1)             |
|                   | 25   | 77                      | 20                    | 64                      | CFW500F77P0T2DB20G2  | Yes                | F                       | 21.6 x 11.8 x 10       | 57.3                  | \$4,150    | V1G (V1)             |
|                   | 30   | 88                      | 25                    | 75                      | CFW500F88P0T2DB20G2  | Yes                | F                       | 21.6 x 11.8 x 10       | 57.3                  | \$5,200    | V1G (V1)             |
|                   | 40   | 105                     | 30                    | 88                      | CFW500F0105T2DB20G2  | Yes                | F                       | 21.6 x 11.8 x 10       | 57.3                  | \$7,050    | V1G (V1)             |
|                   | 50   | 145                     | 40                    | 115                     | CFW500G0145T2NB20G2  | No                 | G                       | 26.6 x 13.2 x 12.4     | 114.6                 | \$8,500    | V1G (V1)             |
|                   | 60   | 180                     | 50                    | 145                     | CFW500G0180T2NB20G2  | No                 | G                       | 26.6 x 13.2 x 12.4     | 114.6                 | \$10,250   | V1G (V1)             |
|                   | 75   | 211                     | 60                    | 180                     | CFW500G0211T2NB20G2  | No                 | G                       | 26.6 x 13.2 x 12.4     | 114.6                 | \$13,500   | V1G (V1)             |
|                   | 50   | 145                     | 40                    | 115                     | CFW500G0145T2DB20G2  | Yes                | G                       | 26.6 x 13.2 x 12.4     | 114.6                 | \$9,095    | V1G (V1)             |
|                   | 60   | 180                     | 50                    | 145                     | CFW500G0180T2DB20G2  | Yes                | G                       | 26.6 x 13.2 x 12.4     | 114.6                 | \$10,965   | V1G (V1)             |
|                   | 75   | 211                     | 60                    | 180                     | CFW500G0211T2DB20G2  | Yes                | G                       | 26.6 x 13.2 x 12.4     | 114.6                 | \$14,445   | V1G (V1)             |

Notes:

- 1) ND (Normal Duty) / VT (Variable Torque): 110% Overload / 60 Sec;  
HD (Heavy Duty) / CT (Constant Torque): 150% Overload / 60 Sec;
- 2) "HP" rating based on WEG W22 motors "average FLA values". Use as a guide only.
- 3) Motor FLA may vary with speed and manufacturer. ALWAYS compare motor FLA to Nominal AMPS of drive.
- 4) Frame Size A to D are rated for 50°C.  
\* Frame Size-E needs to have Firmware Version 3.7x or higher to be used as Normal Duty.  
\* Frame Size-E is rated for 40°C if used as Normal Duty (ND/VT) & 50°C if used as heavy Duty (HD/CT).  
Frame-F is rated for 40°C.  
Frame-G is rated for 45°C.  
CFW500 Frame-F & G VFDs have built in Dual DC Bus Chokes.

# Variable Frequency Drives



CFW500-G2

## CFW500 - IP20 - G2 (GENERATION-2) IP20 Finger Safe Enclosure

| Motor Voltage                | ND / VT <sup>1</sup>                        |                         | HD / CT <sup>1</sup>  |                         | Catalog Number       | Braking Transistor | Frame Size <sup>4</sup> | Dimensions (in.) HxWxD | Approx. Weight (lbs.) | List Price | Multiplier New (Old) |  |
|------------------------------|---|-------------------------|-----------------------|-------------------------|----------------------|--------------------|-------------------------|------------------------|-----------------------|------------|----------------------|--|
|                              | Motor HP <sup>2</sup>                       | Drive Amps <sup>3</sup> | Motor HP <sup>2</sup> | Drive Amps <sup>3</sup> |                      |                    |                         |                        |                       |            |                      |  |
| 460 Vac / 3 Phase            | Input Power Supply: Three-Phase 380-480 Vac |                         |                       |                         |                      |                    |                         |                        |                       |            |                      |  |
|                              | 1/2   | 1.0                     | 1/2                   | 1.0                     | CFW500A01P0T4NB20G2  | No                 | A                       | 7.5 x 3.0 x 5.9        | 1.8                   | \$582      | V1G (V1)             |  |
|                              | 1   | 1.6                     | 1                     | 1.6                     | CFW500A01P6T4NB20G2  | No                 | A                       | 7.5 x 3.0 x 5.9        | 1.8                   | \$604      | V1G (V1)             |  |
|                              | 1 1/2                                       | 2.6                     | 1 1/2                 | 2.6                     | CFW500A02P6T4NB20G2  | No                 | A                       | 7.5 x 3.0 x 5.9        | 1.8                   | \$649      | V1G (V1)             |  |
|                              | 3   | 4.3                     | 3                     | 4.3                     | CFW500A04P3T4NB20G2  | No                 | A                       | 7.5 x 3.0 x 5.9        | 1.8                   | \$799      | V1G (V1)             |  |
|                              | 3   | 6.1                     | 3                     | 6.1                     | CFW500A06P1T4NB20G2  | No                 | A                       | 7.5 x 3.0 x 5.9        | 1.8                   | \$982      | V1G (V1)             |  |
|                              | 1 1/2                                       | 2.6                     | 1 1/2                 | 2.6                     | CFW500B02P6T4DB20G2  | Yes                | B                       | 7.9 x 4.0 x 6.3        | 2.6                   | \$708      | V1G (V1)             |  |
|                              | 3   | 4.3                     | 3                     | 4.3                     | CFW500B04P3T4DB20G2  | Yes                | B                       | 7.9 x 4.0 x 6.3        | 2.6                   | \$892      | V1G (V1)             |  |
|                              | 5   | 6.5                     | 5                     | 6.5                     | CFW500B06P5T4DB20G2  | Yes                | B                       | 7.9 x 4.0 x 6.3        | 2.6                   | \$1,067    | V1G (V1)             |  |
|                              | 7 1/2                                       | 10                      | 7 1/2                 | 10                      | CFW500B10P0T4DB20G2  | Yes                | B                       | 7.9 x 4.0 x 6.3        | 2.6                   | \$1,207    | V1G (V1)             |  |
|                              | 10  | 14                      | 10                    | 14                      | CFW500C14P0T4DB20G2  | Yes                | C                       | 8.3 x 5.3 x 6.5        | 4.4                   | \$1,495    | V1G (V1)             |  |
|                              | 10  | 16                      | 10                    | 16                      | CFW500C16P0T4DB20G2  | Yes                | C                       | 8.3 x 5.3 x 6.5        | 4.4                   | \$1,684    | V1G (V1)             |  |
|                              | 15  | 24                      | 15                    | 24                      | CFW500D24P0T4DB20G2  | Yes                | D                       | 12.1 x 7.1 x 6.6       | 9.5                   | \$2,229    | V1G (V1)             |  |
|                              | 20/25                                       | 31                      | 20/25                 | 31                      | CFW500D31P0T4DB20G2  | Yes                | D                       | 12.1 x 7.1 x 6.6       | 9.5                   | \$2,783    | V1G (V1)             |  |
|                              | 30*   | 45*                     | 30                    | 39                      | CFW500E39P0T4DB20G2* | Yes                | E                       | 13.8 x 8.7 x 7.6       | 22.1                  | \$3,346    | V1G (V1)             |  |
|                              | 40*   | 58.5*                   | 40                    | 49                      | CFW500E49P0T4DB20G2* | Yes                | E                       | 13.8 x 8.7 x 7.6       | 22.1                  | \$4,214    | V1G (V1)             |  |
|                              | 50/60                                       | 77                      | 50                    | 61                      | CFW500F77P0T4DB20G2  | Yes                | F                       | 21.6 x 11.8 x 10       | 57.3                  | \$5,700    | V1G (V1)             |  |
|                              | 75  | 88                      | 60                    | 73                      | CFW500F88P0T4DB20G2  | Yes                | F                       | 21.6 x 11.8 x 10       | 57.3                  | \$7,300    | V1G (V1)             |  |
|                              | 75  | 105                     | 75                    | 88                      | CFW500F0105T4DB20G2  | Yes                | F                       | 21.6 x 11.8 x 10       | 57.3                  | \$8,900    | V1G (V1)             |  |
|                              | 100/125                                     | 142                     | 100                   | 115                     | CFW500G0142T4NB20G2  | No                 | G                       | 26.6 x 13.2 x 12.4     | 114.6                 | \$10,200   | V1G (V1)             |  |
|                              | 150   | 180                     | 125                   | 142                     | CFW500G0180T4NB20G2  | No                 | G                       | 26.6 x 13.2 x 12.4     | 114.6                 | \$12,500   | V1G (V1)             |  |
| 175                          | 211   | 150                     | 180                   | CFW500G0211T4NB20G2     | No                   | G                  | 26.6 x 13.2 x 12.4      | 114.6                  | \$14,500              | V1G (V1)   |                      |  |
| 100/125                      | 142   | 100                     | 115                   | CFW500G0142T4DB20G2     | Yes                  | G                  | 26.6 x 13.2 x 12.4      | 114.6                  | \$10,915              | V1G (V1)   |                      |  |
| 150                          | 180   | 125                     | 142                   | CFW500G0180T4DB20G2     | Yes                  | G                  | 26.6 x 13.2 x 12.4      | 114.6                  | \$13,375              | V1G (V1)   |                      |  |
| 175                          | 211   | 150                     | 180                   | CFW500G0211T4DB20G2     | Yes                  | G                  | 26.6 x 13.2 x 12.4      | 114.6                  | \$15,515              | V1G (V1)   |                      |  |
| 575 Vac / Phase <sup>5</sup> | Input Power Supply: Three-Phase 500-600 Vac |                         |                       |                         |                      |                    |                         |                        |                       |            |                      |  |
|                              | 1 1/2                                       | 1.7                     | 1 1/2                 | 1.7                     | CFW500C01P7T5DB20    | Yes                | C                       | 8.3 x 5.3 x 6.5        | 4.4                   | \$910      | V1G (V1)             |  |
|                              | 3   | 3.0                     | 3                     | 3.0                     | CFW500C03P0T5DB20    | Yes                | C                       | 8.3 x 5.3 x 6.5        | 4.4                   | \$954      | V1G (V1)             |  |
|                              | 3   | 4.3                     | 3                     | 4.3                     | CFW500C04P3T5DB20    | Yes                | C                       | 8.3 x 5.3 x 6.5        | 4.4                   | \$1,073    | V1G (V1)             |  |
|                              | 7 1/2                                       | 7.0                     | 7 1/2                 | 7.0                     | CFW500C07P0T5DB20    | Yes                | C                       | 8.3 x 5.3 x 6.5        | 4.4                   | \$1,276    | V1G (V1)             |  |
|                              | 10  | 10.0                    | 10                    | 10.0                    | CFW500C10P0T5DB20    | Yes                | C                       | 8.3 x 5.3 x 6.5        | 4.4                   | \$1,621    | V1G (V1)             |  |
|                              | 10  | 12.0                    | 10                    | 12.0                    | CFW500C12P0T5DB20    | Yes                | C                       | 8.3 x 5.3 x 6.5        | 4.4                   | \$1,813    | V1G (V1)             |  |

Notes:

- 1) ND (Normal Duty) / VT (Variable Torque): 110% Overload / 60 Sec;  
HD (Heavy Duty) / CT (Constant Torque): 150% Overload / 60 Sec;
- 2) "HP" rating based on WEG W22 motors "average FLA values". Use as a guide only.
- 3) Motor FLA may vary with speed and manufacturer. ALWAYS compare motor FLA to Nominal AMPS of drive.
- 4) Frame Size A to D are rated for 50°C.  
\* Frame Size-E needs to have Firmware Version 3.7x or higher to be used as Normal Duty.  
\* Frame Size-E is rated for 40°C if used as Normal Duty (ND/VT) & 50°C if used as heavy Duty (HD/CT).  
Frame-F is rated for 40°C.  
Frame-G is rated for 45°C.  
CFW500 Frame-F & G VFDs have built in Dual DC Bus Chokes.
- 5) All 575V drives are non-stocked items and are still Generation-1 drives, consult WEG for availability.



### CFW500 - N4X/IP66 WASHDOWN VFD W/O DISCONNECT SWITCH

| Motor Voltage                  | HD - Motor HP <sup>1</sup>                            | HD - Drive Amps <sup>2</sup>                | Catalog Number             | Braking Transistor         | Frame Size <sup>4</sup> | Dimensions (in.) HxWxD | Approx. Weight (lbs.) | List Price     | Multiplier New (Old) |          |
|--------------------------------|---|---|----------------------------|----------------------------|-------------------------|------------------------|-----------------------|----------------|----------------------|----------|
| 230 Vac / 3 Phase              | Input Power Supply: Single or Three-Phase 200-240 Vac |   |                            |                            |                         |                        |                       |                |                      |          |
|                                | 1/3   | 1.6   | <b>CFW500A01P6B2DB66G2</b> | Yes                        | A                       | 10.4 x 6.5 x 8.9       | 22.0                  | <b>\$775</b>   | V1W (V1)             |          |
|                                | 3/4   | 2.6   | <b>CFW500A02P6B2DB66G2</b> | Yes                        | A                       | 10.4 x 6.5 x 8.9       | 22.0                  | <b>\$800</b>   | V1W (V1)             |          |
|                                | 1 1/2   | 4.3   | <b>CFW500A04P3B2DB66G2</b> | Yes                        | A                       | 10.4 x 6.5 x 8.9       | 22.0                  | <b>\$850</b>   | V1W (V1)             |          |
|                                | 2   | 7.3   | <b>CFW500A07P3B2DB66G2</b> | Yes                        | A                       | 10.4 x 6.5 x 8.9       | 22.0                  | <b>\$1,015</b> | V1W (V1)             |          |
|                                | 3   | 10.0  | <b>CFW500A10P0B2DB66G2</b> | Yes                        | A                       | 10.4 x 6.5 x 8.9       | 22.0                  | <b>\$1,095</b> | V1W (V1)             |          |
|                                | Input Power Supply: Three-Phase 200-240 Vac           |   |                            |                            |                         |                        |                       |                |                      |          |
|                                | 5   | 16  | <b>CFW500A16P0T2DB66G2</b> | Yes                        | A                       | 10.4 x 6.5 x 8.9       | 22.0                  | <b>\$1,350</b> | V1W (V1)             |          |
|                                | 7 1/2   | 24  | <b>CFW500B24P0T2DB66G2</b> | Yes                        | B                       | 13.4 x 8.5 x 8.9       | 26.5                  | <b>\$1,950</b> | V1W (V1)             |          |
|                                | 10  | 28  | <b>CFW500B28P0T2DB66G2</b> | Yes                        | B                       | 13.4 x 8.5 x 8.9       | 26.5                  | <b>\$2,275</b> | V1W (V1)             |          |
|                                | 10  | 33  | <b>CFW500B33P0T2DB66G2</b> | Yes                        | B                       | 13.4 x 8.5 x 8.9       | 26.5                  | <b>\$2,675</b> | V1W (V1)             |          |
|                                | 460 Vac / 3 Phase                                     | Input Power Supply: Three-Phase 380-480 Vac |                            |                            |                         |                        |                       |                |                      |          |
|                                |   | 1/2   | 1.0                        | <b>CFW500A01P0T4DB66G2</b> | Yes                     | A                      | 10.4 x 6.5 x 8.9      | 22.0           | <b>\$950</b>         | V1W (V1) |
|                                |   | 1   | 1.6                        | <b>CFW500A01P6T4DB66G2</b> | Yes                     | A                      | 10.4 x 6.5 x 8.9      | 22.0           | <b>\$975</b>         | V1W (V1) |
| 1 1/2                          |   | 2.6   | <b>CFW500A02P6T4DB66G2</b> | Yes                        | A                       | 10.4 x 6.5 x 8.9       | 22.0                  | <b>\$990</b>   | V1W (V1)             |          |
| 3                              |   | 4.3   | <b>CFW500A04P3T4DB66G2</b> | Yes                        | A                       | 10.4 x 6.5 x 8.9       | 22.0                  | <b>\$1,175</b> | V1W (V1)             |          |
| 5                              |   | 6.5   | <b>CFW500A06P5T4DB66G2</b> | Yes                        | A                       | 10.4 x 6.5 x 8.9       | 22.0                  | <b>\$1,400</b> | V1W (V1)             |          |
| 7 1/2                          |   | 10  | <b>CFW500A10P0T4DB66G2</b> | Yes                        | A                       | 10.4 x 6.5 x 8.9       | 22.0                  | <b>\$1,650</b> | V1W (V1)             |          |
| 10                             |   | 14  | <b>CFW500B14P0T4DB66G2</b> | Yes                        | B                       | 13.4 x 8.5 x 8.9       | 26.5                  | <b>\$2,050</b> | V1W (V1)             |          |
| 10                             |   | 16  | <b>CFW500B16P0T4DB66G2</b> | Yes                        | B                       | 13.4 x 8.5 x 8.9       | 26.5                  | <b>\$2,275</b> | V1W (V1)             |          |
| 15                             |   | 24  | <b>CFW500B24P0T4DB66G2</b> | Yes                        | B                       | 13.4 x 8.5 x 8.9       | 26.5                  | <b>\$3,025</b> | V1W (V1)             |          |
| 25                             |   | 31  | <b>CFW500B31P0T4DB66G2</b> | Yes                        | B                       | 13.4 x 8.5 x 8.9       | 26.5                  | <b>\$3,650</b> | V1W (V1)             |          |
| 575 Vac / 3 Phase <sup>3</sup> | Input Power Supply: Three-Phase 500-600 Vac           |   |                            |                            |                         |                        |                       |                |                      |          |
|                                | 1 1/2   | 1.7   | <b>CFW500B01P7T5DB66</b>   | Yes                        | B                       | 13.4 x 8.5 x 8.9       | 26.5                  | <b>\$1,590</b> | V1W (V1)             |          |
|                                | 3   | 3.0   | <b>CFW500B03P0T5DB66</b>   | Yes                        | B                       | 13.4 x 8.5 x 8.9       | 26.5                  | <b>\$1,670</b> | V1W (V1)             |          |
|                                | 3   | 4.3   | <b>CFW500B04P3T5DB66</b>   | Yes                        | B                       | 13.4 x 8.5 x 8.9       | 26.5                  | <b>\$1,890</b> | V1W (V1)             |          |
|                                | 7 1/2   | 7.0   | <b>CFW500B07P0T5DB66</b>   | Yes                        | B                       | 13.4 x 8.5 x 8.9       | 26.5                  | <b>\$2,115</b> | V1W (V1)             |          |
|                                | 10  | 10.0  | <b>CFW500B10P0T5DB66</b>   | Yes                        | B                       | 13.4 x 8.5 x 8.9       | 26.5                  | <b>\$2,330</b> | V1W (V1)             |          |
| 10                             | 12.0  | <b>CFW500B12P0T5DB66</b>                    | Yes                        | B                          | 13.4 x 8.5 x 8.9        | 26.5                   | <b>\$2,615</b>        | V1W (V1)       |                      |          |

Notes:

- 1) HP rating based on WEG W22 motors average FLA values. Use as a guide only.
- 2) Motor FLA may vary with speed and manufacturer. ALWAYS compare motor FLA to Nominal AMPS of drive.
- 3) All 575V drives are non-stocked items and are still Generation-1 drives, consult WEG for availability.
- 4) Frame Size A & B are rated for 40°C ambient temperature.

## CFW500-G2

### CFW500 - N4X/IP66 WASHDOWN VFD WITH DISCONNECT SWITCH

| Motor Voltage                  | HD - Motor HP <sup>1</sup>                            | HD - Drive Amps <sup>2</sup>                | Catalog Number        | Braking Transistor    | Frame Size <sup>4</sup> | Dimensions (in.) HxWxD | Approx. Weight (lbs.) | List Price | Multiplier New (Old) |          |  |
|--------------------------------|---|---|-----------------------|-----------------------|-------------------------|------------------------|-----------------------|------------|----------------------|----------|--|
| 230 Vac / 3 Phase              | Input Power Supply: Single or Three-Phase 200-240 Vac |   |                       |                       |                         |                        |                       |            |                      |          |  |
|                                | 1/3   | 1.6   | CFW500A01P6B2DB66DSG2 | Yes                   | A                       | 10.4 x 6.5 x 9.9       | 22.0                  | \$895      | V1W (V1)             |          |  |
|                                | 3/4   | 2.6   | CFW500A02P6B2DB66DSG2 | Yes                   | A                       | 10.4 x 6.5 x 9.9       | 22.0                  | \$920      | V1W (V1)             |          |  |
|                                | 1 1/2   | 4.3   | CFW500A04P3B2DB66DSG2 | Yes                   | A                       | 10.4 x 6.5 x 9.9       | 22.0                  | \$980      | V1W (V1)             |          |  |
|                                | 2   | 7.3   | CFW500A07P3B2DB66DSG2 | Yes                   | A                       | 10.4 x 6.5 x 9.9       | 22.0                  | \$1,170    | V1W (V1)             |          |  |
|                                | 3   | 10.0  | CFW500A10P0B2DB66DSG2 | Yes                   | A                       | 10.4 x 6.5 x 9.9       | 22.0                  | \$1,255    | V1W (V1)             |          |  |
|                                | Input Power Supply: Three-Phase 200-240 Vac           |   |                       |                       |                         |                        |                       |            |                      |          |  |
|                                | 5   | 16  | CFW500A16P0T2DB66DSG2 | Yes                   | A                       | 10.4 x 6.5 x 9.9       | 22.0                  | \$1,555    | V1W (V1)             |          |  |
|                                | 7 1/2   | 24  | CFW500B24P0T2DB66DSG2 | Yes                   | B                       | 13.4 x 8.5 x 9.9       | 26.5                  | \$2,245    | V1W (V1)             |          |  |
|                                | 10  | 28  | CFW500B28P0T2DB66DSG2 | Yes                   | B                       | 13.4 x 8.5 x 9.9       | 26.5                  | \$2,620    | V1W (V1)             |          |  |
|                                | 10  | 33  | CFW500B33P0T2DB66DSG2 | Yes                   | B                       | 13.4 x 8.5 x 9.9       | 26.5                  | \$3,080    | V1W (V1)             |          |  |
|                                | 460 Vac / 3 Phase                                     | Input Power Supply: Three-Phase 380-480 Vac |                       |                       |                         |                        |                       |            |                      |          |  |
|                                |   | 1/2   | 1.0                   | CFW500A01P0T4DB66DSG2 | Yes                     | A                      | 10.4 x 6.5 x 9.9      | 22.0       | \$1,095              | V1W (V1) |  |
|                                |   | 1   | 1.6                   | CFW500A01P6T4DB66DSG2 | Yes                     | A                      | 10.4 x 6.5 x 9.9      | 22.0       | \$1,125              | V1W (V1) |  |
| 1 1/2                          |   | 2.6   | CFW500A02P6T4DB66DSG2 | Yes                   | A                       | 10.4 x 6.5 x 9.9       | 22.0                  | \$1,140    | V1W (V1)             |          |  |
| 3                              |   | 4.3   | CFW500A04P3T4DB66DSG2 | Yes                   | A                       | 10.4 x 6.5 x 9.9       | 22.0                  | \$1,350    | V1W (V1)             |          |  |
| 5                              |   | 6.5   | CFW500A06P5T4DB66DSG2 | Yes                   | A                       | 10.4 x 6.5 x 9.9       | 22.0                  | \$1,610    | V1W (V1)             |          |  |
| 7 1/2                          |   | 10  | CFW500A10P0T4DB66DSG2 | Yes                   | A                       | 10.4 x 6.5 x 9.9       | 22.0                  | \$1,900    | V1W (V1)             |          |  |
| 10                             |   | 14  | CFW500B14P0T4DB66DSG2 | Yes                   | B                       | 13.4 x 8.5 x 9.9       | 26.5                  | \$2,360    | V1W (V1)             |          |  |
| 10                             |   | 16  | CFW500B16P0T4DB66DSG2 | Yes                   | B                       | 13.4 x 8.5 x 9.9       | 26.5                  | \$2,620    | V1W (V1)             |          |  |
| 15                             |   | 24  | CFW500B24P0T4DB66DSG2 | Yes                   | B                       | 13.4 x 8.5 x 9.9       | 26.5                  | \$3,480    | V1W (V1)             |          |  |
| 25                             |   | 31  | CFW500B31P0T4DB66DSG2 | Yes                   | B                       | 13.4 x 8.5 x 9.9       | 26.5                  | \$4,200    | V1W (V1)             |          |  |
| 575 Vac / 3 Phase <sup>3</sup> |   | Input Power Supply: Three-Phase 500-600 Vac |                       |                       |                         |                        |                       |            |                      |          |  |
|                                | 1 1/2   | 1.7   | CFW500B01P7T5DB66DS   | Yes                   | B                       | 13.4 x 8.5 x 9.9       | 26.5                  | \$1,830    | V1W (V1)             |          |  |
|                                | 3   | 3.0   | CFW500B03P0T5DB66DS   | Yes                   | B                       | 13.4 x 8.5 x 9.9       | 26.5                  | \$1,925    | V1W (V1)             |          |  |
|                                | 3   | 4.3   | CFW500B04P3T5DB66DS   | Yes                   | B                       | 13.4 x 8.5 x 9.9       | 26.5                  | \$2,175    | V1W (V1)             |          |  |
|                                | 7 1/2   | 7.0   | CFW500B07P0T5DB66DS   | Yes                   | B                       | 13.4 x 8.5 x 9.9       | 26.5                  | \$2,435    | V1W (V1)             |          |  |
|                                | 10  | 10.0  | CFW500B10P0T5DB66DS   | Yes                   | B                       | 13.4 x 8.5 x 9.9       | 26.5                  | \$2,680    | V1W (V1)             |          |  |
| 10                             | 12.0  | CFW500B12P0T5DB66DS                         | Yes                   | B                     | 13.4 x 8.5 x 9.9        | 26.5                   | \$3,005               | V1W (V1)   |                      |          |  |

Notes:

- 1) HP rating based on WEG W22 motors average FLA values. Use as a guide only.
- 2) Motor FLA may vary with speed and manufacturer. ALWAYS compare motor FLA to Nominal AMPS of drive.
- 3) All 575V drives are non-stocked items and are still Generation-1 drives, consult WEG for availability.
- 4) Frame Size A & B are rated for 40°C ambient temperature.

### Options and Accessories

| Type                                    | CATALOG NUMBER                 | Description   | Approx. Shpg. Wt. (lbs.) | List Price | Multiplier New (Old) |
|---|--------------------------------|---|--------------------------|------------|----------------------|
| I/O                                     | <b>CFW500-IOS<sup>1</sup></b>  | CFW500 I/O Module; 4 DI, 1 AI, 1 AO, 1 DOR, 1 DOT, 1 RS485, 10vdc, 24vdc  | 0.2                      | \$110      | V1G (V1)             |
| I/O                                     | <b>CFW500-IOD</b>              | CFW500 I/O Module; 8 DI, 1 AI, 1 AO, 1 DOR, 4 DOT, 1 RS485, 10vdc, 24vdc  | 0.2                      | \$141      | V1G (V1)             |
| I/O                                     | <b>CFW500-IOAD</b>             | CFW500 I/O Module; 6 DI, 3 AI, 2 AO, 1 DOR, 3 DOT, 1 RS485, 10vdc, 24vdc  | 0.2                      | \$182      | V1G (V1)             |
| I/O                                     | <b>CFW500-IOR-B</b>            | CFW500 I/O Module; 5 DI, 1 AI, 1 AO, 4 DOR, 1 DOT, 1 RS485, 10vdc, 24vdc  | 0.2                      | \$125      | V1G (V1)             |
| Encoder Input                           | <b>CFW500-ENC</b>              | CFW500 Encoder Module; Quad Input A & B, 1 RS485, 5 DI, 1 AI, 1 AO, 3 DOR, 1 DOT, 24vdc   | 0.2                      | \$210      | V1G (V1)             |
| USB Card                                | <b>CFW500-CUSB</b>             | CFW500 Comm. Module; 1 USB, 1 RS485, 4 DI, 1 AI, 1 AO, 1 DOR, 1 DOT, 10vdc, 24vdc   | 0.2                      | \$210      | V1G (V1)             |
| RS232 Card                              | <b>CFW500-CRS232</b>           | CFW500 Comm. Module; 1 RS232, 1 RS485, 4 DI, 1 AI, 1 AO, 1 DOR, 1 DOT, 24vdc  | 0.2                      | \$138      | V1G (V1)             |
| RS485 Card                              | <b>CFW500-CRS485-B</b>         | CFW500 Comm. Module; 2 RS485, 4 DI, 2 AI, 1 AO, 2 DOR, 1 DOT, 10vdc, 24vdc  | 0.2                      | \$143      | V1G (V1)             |
| CANopen Card                            | <b>CFW500-CCAN</b>             | CFW500 Comm. Module; 1 CAN/DeviceNet, 1 RS485, 2 DI, 1 AI, 1 AO, 1 DOR, 1 DOT, 10vdc, 24vdc   | 0.2                      | \$138      | V1G (V1)             |
| Profibus DP Card                        | <b>CFW500-CPDP</b>             | CFW500 Comm. Module; 2 DI, 1 AI, 1 AO, 1 DOR, 1 DOT, 1 Profibus DP, 1 RS485, 24vdc (DB9 connector)  | 0.2                      | \$405      | V1G (V1)             |
| Profibus DP & DP-V1 Module              | <b>CFW500-CPDP2</b>            | CFW500 Comm. Module; 1-Profibus DP & DP-V1 100BASE TX RJ-45 Port, 1-RS485, 2-DI, 1-AI, 1-AO, 1-DOR, 1-DOT, 24vdc (Terminal Block Connector)                 | 0.2                      | \$445      | V1G (V1)             |
| Modbus TCP Comm. Module                 | <b>CFW500-CEMB-TCP</b>         | CFW500 Comm. Module; 1-Modbus TCP 100BASE TX RJ-45 Port, 1-RS485, 2-DI, 1-AI, 1-AO, 1-DOR, 1-DOT, 24vdc   | 0.2                      | \$499      | V1G (V1)             |
| ProfiNet I/O Comm. Module               | <b>CFW500-CEPN-IO</b>          | CFW500 Comm. Module; 1-ProfiNet I/O 100BASE TX RJ-45 Port, 1-RS485, 2-DI, 1-AI, 1-AO, 1-DOR, 1-DOT, 24vdc   | 0.2                      | \$499      | V1G (V1)             |
| EtherNet IP Comm. Module                | <b>CFW500-CETH-IP</b>          | CFW500 Comm. Module; 2-DI, 1-AI, 1-AO, 1-DOR, 1-DOT, 1-RS485, 1-EtherNet IP 100BASE TX RJ-45 Port, 24vdc  | 0.2                      | \$499      | V1G (V1)             |
| STO Module                              | <b>CFW500-SFY2<sup>2</sup></b> | CFW500 Safety Function Module; Safe Torque Off (STO) / Stop Category 0, Safe Stop 1 Time Controlled (SS1-t) / Stop Category 1; Safety Category: SIL 3, PL e | 1.8                      | \$140      | V1G (V1)             |
| STO Module Plug                         | <b>CFW50X-STO-JMP</b>          | CFW50x STO module plug  | 0.2                      | \$12       | PTD                  |
| Flash Memory Module                     | <b>CFW500-MMF</b>              | CFW500 Flash Memory Module for saving and reloading program and parameters to / from the drive.   | 0.2                      | \$189      | V1G (V1)             |
| Remote Keypad - Non Text                | <b>CFW500-HMIR<sup>3</sup></b> | CFW500 Remote non-text Keypad for mounting through enclosure door (Mounting Frame Kit is not required).   | 0.6                      | \$169      | V1G (V1)             |
| Remote Keypad - Advanced Text           | <b>HMI-01<sup>4</sup></b>      | CFW500 Remote Advanced Text Keypad for mounting through enclosure door (Mounting Frame Kit is required).  | 0.4                      | \$205      | V1G (V1)             |
| Remote Keypad - Advanced Text Frame Kit | <b>CFW500-RHMIF</b>            | CFW500 Remote Advanced Text Keypad enclosure door mounting frame kit  | 0.5                      | \$25       | V1G (V1)             |
| HMI Cable 1M                            | <b>CFW500-CCHMIR01M</b>        | 3.3 ft (1 meter) Remote Keypad Cable  | 0.5                      | \$23       | V1G (V1)             |
| HMI Cable 2M                            | <b>CFW500-CCHMIR02M</b>        | 6.6 ft (2 meter) Remote Keypad Cable  | 0.7                      | \$31       | V1G (V1)             |
| HMI Cable 3M                            | <b>CFW500-CCHMIR03M</b>        | 9.9 ft (3 meter) Remote Keypad Cable  | 1.0                      | \$41       | V1G (V1)             |
| HMI Cable 5M                            | <b>CFW500-CCHMIR05M</b>        | 16 ft (5 meter) Remote Keypad Cable   | 1.2                      | \$51       | V1G (V1)             |
| HMI Cable 7.5M                          | <b>CFW500-CCHMIR075M</b>       | 25 ft (7.5 meter) Remote Keypad Cable   | 1.5                      | \$61       | V1G (V1)             |
| HMI Cable 10M                           | <b>CFW500-CCHMIR010M</b>       | 33 ft (10 meter) Remote Keypad Cable  | 2.0                      | \$72       | V1G (V1)             |
| NEMA1 Conduit Kit                       | <b>CFW500-KN1A</b>             | NEMA 1 kit - Frame Size A   | 2.0                      | \$28       | V1G (V1)             |
| NEMA1 Conduit Kit                       | <b>CFW500-KN1B</b>             | NEMA 1 kit - Frame Size B   | 3.0                      | \$33       | V1G (V1)             |
| NEMA1 Conduit Kit                       | <b>CFW500-KN1C</b>             | NEMA 1 kit - Frame Size C   | 3.0                      | \$44       | V1G (V1)             |
| NEMA1 Conduit Kit                       | <b>CFW500-KN1D</b>             | NEMA 1 kit - Frame Size D   | 3.0                      | \$59       | V1G (V1)             |
| NEMA1 Conduit Kit                       | <b>CFW500-KN1E</b>             | NEMA 1 kit - Frame Size E   | 6.0                      | \$64       | V1G (V1)             |
| NEMA1 Conduit Kit                       | <b>CFW500-KN1F</b>             | NEMA 1 kit - Frame Size F   | 12.0                     | \$165      | V1G (V1)             |
| NEMA1 Conduit Kit                       | <b>CFW500-KN1G</b>             | NEMA 1 kit - Frame Size G   | 17.0                     | \$215      | V1G (V1)             |
| Cable Shield Clamp Kit                  | <b>CFW500-KPCSA</b>            | Cable Shield Clamp Kit for Frame A  | 1.0                      | \$41       | V1G (V1)             |
| Cable Shield Clamp Kit                  | <b>CFW500-KPCSB</b>            | Cable Shield Clamp Kit for Frame B  | 1.0                      | \$44       | V1G (V1)             |
| Cable Shield Clamp Kit                  | <b>CFW500-KPCSC</b>            | Cable Shield Clamp Kit for Frame C  | 1.1                      | \$46       | V1G (V1)             |
| Cable Shield Clamp Kit                  | <b>CFW500-KPCSD</b>            | Cable Shield Clamp Kit for Frame D  | 1.1                      | \$51       | V1G (V1)             |
| Cable Shield Clamp Kit                  | <b>CFW500-KPCSE</b>            | Cable Shield Clamp Kit for Frame E  | 6.0                      | \$64       | V1G (V1)             |
| Cable Shield Clamp Kit                  | <b>CFW500-KPCSF</b>            | Cable Shield Clamp Kit for Frame F  | 15.0                     | \$140      | V1G (V1)             |
| Cable Shield Clamp Kit                  | <b>CFW500-KPCSG</b>            | Cable Shield Clamp Kit for Frame G  | 18.0                     | \$180      | V1G (V1)             |
| CFW500 Demo Suitcase                    | <b>CFW500-DEMO-BLK</b>         | CFW500 Black Demo Suitcase with Remote Text keypad and STO Module   | 45.0                     | \$5,585    | V1G (V1)             |

**Notes:**

- 1) The "CFW500-IOS" module is included as standard with CFW500-IP20 & IP66 Drives.
- 2) The "CFW500-SFY2" Module can be installed in the CFW500-IP20 & IP66 drives in addition to the "CFW500-IOS" or any other I/O or communication module. The "CFW500-SFY2" module only works with 230V & 460VAC, CFW500-G2 (Generation-2) drives. For CFW500-IP20, Frame-A to E VFDs, the NEMA1 Kit top cover to protect the VFD from falling dust can not be used if the "CFW500-SFY2" is installed on the drive.
- 3) The "CFW500-HMIR" Remote Keypad (Non-Text) requires Qty. (1) CFW500-CCHIROxM cable. ("x" represents the cable length in meters)
- 4) The "HMI-01" remote Keypad (Advanced Text) requires Qty. (1) CFW500-RHMIF & Qty. (1) CFW500-CCHIROxM cable. ("x" represents the cable length in meters). This keypad only works with 230VAC & 460VAC, CFW500-G2 (Generation-2) drives.

# Variable Frequency Drives



## CFW500-G2

### Option Card I/O Table

| CFW500 Option Module      | DI <sup>1</sup> | AI | AO | DOR | DOT | Infrared | Encoder | USB | RS232 | RS485 | CANopen / DeviceNet | Profibus-DP / DP V1 | Modbus TCP | ProfiNet I/O | EtherNet I/P |
|---------------------------|-----------------|----|----|-----|-----|----------|---------|-----|-------|-------|---------------------|---------------------|------------|--------------|--------------|
| CFW500-IOS <sup>1</sup>   | 4               | 1  | 1  | 1   | 1   |          |         |     |       | 1     |                     |                     |            |              |              |
| CFW500-IOD                | 8               | 1  | 1  | 1   | 4   |          |         |     |       | 1     |                     |                     |            |              |              |
| CFW500-IOAD               | 6               | 3  | 2  | 1   | 3   |          |         |     |       | 1     |                     |                     |            |              |              |
| CFW500-IOR / CFW500-IOR-B | 5               | 1  | 1  | 4   | 1   | 1        |         |     |       | 1     |                     |                     |            |              |              |
| CFW500-ENC                | 5               | 1  | 1  | 3   | 1   |          | 1       |     |       | 1     |                     |                     |            |              |              |
| CFW500-CUSB               | 4               | 1  | 1  | 1   | 1   |          |         | 1   |       | 1     |                     |                     |            |              |              |
| CFW500-CRS232             | 4               | 1  | 1  | 1   | 1   |          |         |     | 1     | 1     |                     |                     |            |              |              |
| CFW500-CRS485-B           | 4               | 2  | 1  | 2   | 1   |          |         |     |       | 2     |                     |                     |            |              |              |
| CFW500-CCAN               | 2               | 1  | 1  | 1   | 1   |          |         |     |       | 1     | 1                   |                     |            |              |              |
| CFW500-CPDP               | 2               | 1  | 1  | 1   | 1   |          |         |     |       | 1     |                     | 1                   |            |              |              |
| CFW500-CPDP2              | 2               | 1  | 1  | 1   | 1   |          |         |     |       | 1     |                     | 1                   |            |              |              |
| CFW500-CEMB-TCP           | 2               | 1  | 1  | 1   | 1   |          |         |     |       | 1     |                     |                     | 1          |              |              |
| CFW500-CEPN-IO            | 2               | 1  | 1  | 1   | 1   |          |         |     |       | 1     |                     |                     |            | 1            |              |
| CFW500-CETH-IP            | 2               | 1  | 1  | 1   | 1   |          |         |     |       | 1     |                     |                     |            |              | 1            |

Notes:

1) The CFW500 VFD comes standard with "CFW500-IOS" Module. To use any of the above listed optional module, the CFW500-IOS module needs to be removed from the drive. In that case, the number of I/Os will depend on the I/O or communication module being used.

### Technical Data

|                                     |                                |   |
|-------------------------------------|--------------------------------|---|
| <b>Power rating</b>                 | Power supply                   | Tolerance: -15 to +10%  |
|                                     |                                | Frequency: 50/60 Hz (48 Hz to 62 Hz)  |
|                                     |                                | Phase imbalance: ≤3% of the rated phase-phase input voltage   |
|                                     |                                | Transient voltages and overvoltages according to Category III (EN 61010/UL 508C)  |
|                                     |                                | Maximum of 10 (line) connections per hour (1 every 6 minutes)   |
| <b>Control</b>                      | Method                         | V/F (scalar)<br>VVV: voltage vector control<br>Vector without encoder (sensorless) and closed loop vector with encoder<br>PM VVV: voltage vector control for permanent magnet motors  |
|                                     | Output frequency               | 0 to 500 Hz, resolution of 0.015 Hz   |
| <b>Performance</b>                  | V/F Control                    | Speed regulation: 1% of the rated speed (with slip compensation)<br>Speed variation range: 1:20   |
|                                     | Vector control (VVV)           | Speed regulation: 1% of the rated speed<br>Speed variation range: 1:30  |
|                                     | Sensorless                     | Speed regulation: 0.5% of the rated speed<br>Speed variation range: 1:100   |
|                                     | Vector control with Encoder    | Speed regulation: 0.1% of the rated speed<br>Speed variation range: 1:100   |
|                                     | PM VVV Control                 | Regulation: 0.1 % of the rated speed<br>Speed variation range: 1:20   |
| <b>Environment conditions</b>       | Temperature around the CFW500  | 14°F to 122°F (-10 °C to 50 °C) - IP20 (sizes A to E)<br>14°F to 104°F (-10 °C to 40 °C) - IP20 (sizes A to E) when installed side by side<br>14°F to 104°F (-10 °C to 40 °C) - NEMA 1 (sizes A to E)<br>14°F to 104°F (-10 °C to 40 °C) - IP20, NEMA 1 (size F)<br>14°F to 113°F (-10 °C to 45 °C) - IP20, NEMA 1 (size G)<br>14°F to 104°F (-10 °C to 40 °C) - IP66 (sizes A & B)<br>For CFW500-IP20-Frame A to E & CFW500-IP66-Frame A & B, when operating temperatures are above the specification, it is necessary to apply 2% of current derating for each Celsius degree (°C), limited to an increase of 10 °C.<br>For CFW500-IP20-Frame F & G, when operating temperatures are above the specification, it is necessary to apply 1% of current derating for each Celsius degree (°C) up to 50 °C, and 2% up to 60 °C (maximum). |
|                                     | Aggressive environments        | Protection Class 3C2 - Standard coating on the internal circuits, according to IEC 60721-3-3 (standard model)<br>Protection Class 3C3 - Extra coating - optional, according to IEC 60721-3-3 (optional)   |
|                                     | Air relative humidity          | 5% to 95% non-condensing  |
|                                     | Altitude                       | Up to 1,000 m (maximum altitude under normal conditions)<br>1,000 to 4,000 m: current derating of 1% for each 100 m above 1,000 m of altitude   |
|                                     | Pollution degree               | 2 (EN 50178 and UL 508C), with non-conductive pollution<br>Condensation must not cause conduction of the accumulated residues   |
|                                     | <b>Inputs<sup>1)</sup></b>     | Analog  |
| Digital                             |                                | 4 isolated inputs<br>Programmable functions:<br>Active high (PNP): maximum low level of 15 V dc; minimum high level of 20 V dc<br>Active low (NPN): maximum low level of 5 V dc; minimum high level of 9 V dc<br>Maximum input voltage of 30 V dc<br>Input current: 4.5 mA<br>Maximum input current: 5.5 mA   |
| <b>Outputs<sup>1)</sup></b>         | Analog                         | 1 isolated output. Levels (0 to 10) V or (0 to 20) mA or (4 to 20) mA<br>Linearity error ≤0.25%<br>Programmable functions<br>RL ≥10 kΩ (0 to 10V) or RL ≤500 Ω (0 to 20 mA / 4 to 20 mA)  |
|                                     | Relay                          | 1 relay with NO/NC contact<br>Maximum voltage: 240 V ac<br>Maximum current of 0.5 A<br>Programmable functions   |
|                                     | Transistor                     | 1 isolated open sink digital output (using as reference the 24 V dc power supply)<br>Maximum current of 150 mA (maximum capacity of the 24 V dc power supply) <sup>2)</sup><br>Programmable functions   |
|                                     | Power supply                   | 24 V dc power supply.<br>Maximum capacity: 150 mA <sup>2)</sup><br>Power supply of 10 V dc.<br>Maximum capacity: 2 mA   |
| <b>Communication</b>                | Selectable plug-in             | Standard Communication: One RS485 (Modbus RTU / BACnet) Port.<br>Optional: CANopen, DeviceNet, Profibus-DP, EtherNet/IP, Modbus-TCP, PROFINET IO, USB, RS485 (two Ports) and RS232 port   |
| <b>Safety</b>                       | Protection                     | Phase-phase overcurrent/short circuit in the output<br>Phase-ground overcurrent/short circuit in the output<br>Undervoltage/overvoltage in the power<br>Overtemperature of the heatsink<br>Motor overload<br>Overload on the power module (IGBTs)<br>External fault / alarm<br>Programming error  |
| <b>Operating interface (keypad)</b> | Standard (built in the CFW500) | 9 keys: Run/Stop, Increment, Decrement, Direction of rotation, Jog, Local/Remote, Back/Esc and Enter/Menu<br>LCD Display<br>It allows accessing/changing all the parameters<br>Accuracy of the indications:<br>Current: 5% of the rated current<br>Speed resolution: 0.1 Hz   |
| <b>Protection degree</b>            | IP20                           | Sizes A, B, C, D, E, F and G  |
|                                     | NEMA1                          | Sizes A, B, C, D, E, F and G with NEMA1 kit   |
|                                     | IP66/NEMA4X (Indoor/Outdoor)   | Sizes A and B   |

Notes:

1) The number and/or types of analog/digital inputs/outputs may vary according to the plug-in module (accessory) used. In the table above, the standard plug-in module (CFW500-IOS) was taken into account. For further information, refer to the CFW500 user manual.

2) The maximum capacity of 150 mA considers the load of the 24 V power supply plus the transistor output, that is, the sum of the consumption of both must not exceed 150 mA.

# Variable Frequency Drives



## CFW500-G2

### Standards

|           |   |  |   |
|-----------|---|--|---|
| Standards | Safety standards                        | UL 508C - Power conversion equipment   |   |
|           |   | UL 840 - Insulation coordination including clearances and creepage distances for electrical equipment  |   |
|           |   | EN 61800-5-1 - Safety requirements electrical, thermal and energy  |   |
|           |   | EN 50178 - Electronic equipment for use in power installations   |   |
|           |   | EN 60204-1 - Safety of machinery. Electrical equipment of machines. Part 1: general requirements<br>Note: In order to have a machine in accordance with this standard, the manufacturer of the machine is responsible for installing an emergency stop device and a device for disconnection from the power line |   |
|           |   | EN 60146 (IEC 146) - Semiconductor converters  |   |
|           |   | EN 61800-2 - Adjustable speed electrical power drive systems - Part 2: general requirements - Rating specifications for low voltage adjustable frequency AC power drive systems  |   |
|           | Electromagnetic compatibility standards | EN 61800-3 - Adjustable speed electrical power drive systems - Part 3: EMC product standard including specific test methods  |   |
|           |   | EN 55011 - Limits and methods of measurement of radio disturbance characteristics of industrial, scientific and medical (ISM) radio-frequency equipment  |   |
|           |   | CISPR 11 - Industrial, scientific and medical (ISM) radio-frequency equipment - Electromagnetic disturbance characteristics - Limits and methods of measurement  |   |
|           |   | EN 61000-4-2 - Electromagnetic compatibility (EMC) - Part 4: testing and measurement techniques - Section 2: electrostatic discharge immunity test   |   |
|           |   | EN 61000-4-3 - Electromagnetic compatibility - Part 4: testing and measurement techniques - Section 3: radiated, radio-frequency, electromagnetic field immunity test  |   |
|           |   | EN 61000-4-4 - Electromagnetic compatibility - Part 4: testing and measurement techniques - Section 4: electrical fast transient/burst immunity test   |   |
|           |   | EN 61000-4-5 - Electromagnetic compatibility - Part 4: testing and measurement techniques - Section 5: surge immunity test   |   |
|           | Mechanical construction standards       | EN 61000-4-6 - Electromagnetic compatibility - Part 4: testing and measurement techniques - Section 6: immunity to conducted disturbances, induced by radio-frequency fields   |   |
|           |   | EN 60529 - Degrees of protection provided by enclosures (IP code)  |   |
|           |   | UL 50 - Enclosures for electrical equipment  |   |
|           |   |  | IEC60721-3-3 - Classification of environmental conditions - part 3: classification of groups of environmental parameters and their severities - Section 3: stationary use at weather protected locations level 3M4. |



### CFW500-G2-IP20

#### Dynamic Braking Resistors - 100% Braking Torque at 20% Duty Cycle (12 Seconds Max. Braking Time) - NEMA1 Enclosure

| Motor Voltage | Motor HP (ND)       | CFW500 Catalog Number | Braking Resistor Catalog Number | Rated Ohms | Rated Watts  | Dimensions (in.) HxWxD <sup>1</sup> | List Price | Multiplier New (Old) |
|---------------|---------------------|-----------------------|---------------------------------|------------|--------------|-------------------------------------|------------|----------------------|
| 230 Vac       | 2                   | CFW500B07P3B2DB20G2   | CFDB2-63-448                    | 63         | 448          | 5 x 12 x 7                          | \$825      | GA (V1)              |
|               | 3                   | CFW500B10P0B2DB20G2   | CFDB2-38-746                    | 38         | 746          | 5 x 12 x 10                         | \$1,025    | GA (V1)              |
|               | 5                   | CFW500B16P0T2DB20G2   | CFDB2-26-1119                   | 26         | 1,119        | 5 x 12 x 13                         | \$1,225    | GA (V1)              |
|               | 7 1/2               | CFW500C24P0T2DB20G2   | CFDB2-19-1492                   | 19         | 1,492        | 5 x 12 x 16                         | \$1,430    | GA (V1)              |
|               | 10                  | CFW500D28P0T2DB20G2   | CFDB2-13-2238                   | 12.6       | 2,238        | 5 x 19 x 10                         | \$1,775    | GA (V1)              |
|               | 10                  | CFW500D33P0T2DB20G2   | CFDB2-10-2984                   | 9.6        | 2,984        | 5 x 19 x 10                         | \$1,775    | GA (V1)              |
|               | 15                  | CFW500D47P0T2DB20G2   | CFDB2-10-2984                   | 9.6        | 2,984        | 5 x 19 x 10                         | \$1,775    | GA (V1)              |
|               | 25                  | CFW500E56P0T2DB20G2   | CFDB2-7-4476                    | 6.3        | 4,476        | 5 x 26.5 x 13                       | \$2,780    | GA (V1)              |
|               | 25                  | CFW500F77P0T2DB20G2   | CFDB2-8-3730                    | 7.5        | 3,730        | 5 x 19 x 13                         | \$2,150    | GA (V1)              |
|               | 30                  | CFW500F88P0T2DB20G2   | CFDB2-8-3730                    | 7.5        | 3,730        | 5 x 19 x 13                         | \$2,150    | GA (V1)              |
|               | 40                  | CFW500F0105T2DB20G2   | CFDB2-5-5968                    | 4.9        | 5,968        | 5 x 26.5 x 16                       | \$3,510    | GA (V1)              |
|               | 50                  | CFW500G0145T2DB20G2   | CFDB2-3-11190                   | 2.7        | 11,190       | 10 x 28 x 13                        | \$6,010    | GA (V1)              |
|               | 60                  | CFW500G0180T2DB20G2   | CFDB2-3-11190                   | 2.7        | 11,190       | 10 x 28 x 13                        | \$6,010    | GA (V1)              |
| 75            | CFW500G0211T2DB20G2 | CFDB2-3-11190         | 2.7                             | 11,190     | 10 x 28 x 13 | \$6,010                             | GA (V1)    |                      |
| 460 Vac       | 2                   | CFW500B02P6T4DB20G2   | CFDB2-150-746                   | 150        | 746          | 5 x 12 x 10                         | \$1,025    | GA (V1)              |
|               | 3                   | CFW500B04P3T4DB20G2   | CFDB2-150-746                   | 150        | 746          | 5 x 12 x 10                         | \$1,025    | GA (V1)              |
|               | 5                   | CFW500B06P5T4DB20G2   | CFDB2-150-746                   | 150        | 746          | 5 x 12 x 10                         | \$1,025    | GA (V1)              |
|               | 7 1/2               | CFW500B10P0T4DB20G2   | CFDB2-75-1492                   | 75         | 1,492        | 5 x 12 x 16                         | \$1,430    | GA (V1)              |
|               | 10                  | CFW500C14P0T4DB20G2   | CFDB2-50-2238                   | 50         | 2,238        | 5 x 19 x 13                         | \$1,965    | GA (V1)              |
|               | 10                  | CFW500C16P0T4DB20G2   | CFDB2-50-2238                   | 50         | 2,238        | 5 x 19 x 13                         | \$1,965    | GA (V1)              |
|               | 15                  | CFW500D24P0T4DB20G2   | CFDB2-25-4476                   | 25         | 4,476        | 5 x 26.5 x 13                       | \$2,700    | GA (V1)              |
|               | 20                  | CFW500D31P0T4DB20G2   | CFDB2-19-5968                   | 19         | 5,968        | 5 x 26.5 x 16                       | \$3,155    | GA (V1)              |
|               | 25/30               | CFW500E39P0T4DB20G2   | CFDB2-10-11190                  | 10         | 11,190       | 10 x 28 x 16                        | \$6,050    | GA (V1)              |
|               | 40                  | CFW500E49P0T4DB20G2   | CFDB2-10-11190                  | 10         | 11,190       | 10 x 28 x 16                        | \$6,050    | GA (V1)              |
|               | 50/60               | CFW500F77P0T4DB20G2   | CFDB2-15-8952                   | 15         | 8,952        | 10 x 28 x 13                        | \$4,635    | GA (V1)              |
|               | 60/75               | CFW500F88P0T4DB20G2   | CFDB2-15-8952                   | 15         | 8,952        | 10 x 28 x 13                        | \$4,635    | GA (V1)              |
|               | 75                  | CFW500F0105T4DB20G2   | CFDB2-10-11190                  | 10         | 11,190       | 10 x 28 x 16                        | \$6,050    | GA (V1)              |
|               | 100/125             | CFW500G0142T4DB20G2   | CFDB2-5-22380                   | 5          | 22,380       | 24 x 30 x 18                        | \$12,655   | GA (V1)              |
|               | 150                 | CFW500G0180T4DB20G2   | CFDB2-5-22380                   | 5          | 22,380       | 24 x 30 x 18                        | \$12,655   | GA (V1)              |
| 175           | CFW500G0211T4DB20G2 | CFDB2-5-22380         | 5                               | 22,380     | 24 x 30 x 18 | \$12,655                            | GA (V1)    |                      |

Notes:

1. Dimensions are provided for estimating purposes only.

## CFW500-G2

### CFW500-G2-IP20

#### Dynamic Braking Resistors - 100% Braking Torque at 50% Duty Cycle (30 Seconds Max. Braking Time) - NEMA1 Enclosure

| Motor Voltage | Motor HP (ND)       | CFW500 Catalog Number | Braking Resistor Catalog Number | Rated Ohms     | Rated Watts  | Dimensions (in.) HxWxD <sup>1</sup> | List Price  | Multiplier New (Old) |
|---------------|---------------------|-----------------------|---------------------------------|----------------|--------------|-------------------------------------|-------------|----------------------|
| 230 Vac       | 2                   | CFW500B07P3B2DB20G2   | CFDB5-63-1119                   | 63             | 1,119        | 5 x 12 x 10                         | \$1,225     | GA (V1)              |
|               | 3                   | CFW500B10P0B2DB20G2   | CFDB5-38-1865                   | 38             | 1,865        | 5 x 19 x 13                         | \$1,965     | GA (V1)              |
|               | 5                   | CFW500B16P0T2DB20G2   | CFDB5-26-2798                   | 26             | 2,798        | 5 x 26.5 x 13                       | \$2,700     | GA (V1)              |
|               | 7 1/2               | CFW500C24P0T2DB20G2   | CFDB5-19-3730                   | 19             | 3,730        | 5 x 26.5 x 13                       | \$2,700     | GA (V1)              |
|               | 10                  | CFW500D28P0T2DB20G2   | CFDB5-13-5595                   | 12.6           | 5,595        | 5 x 26.5 x 16                       | \$3,155     | GA (V1)              |
|               | 10                  | CFW500D33P0T2DB20G2   | CFDB5-10-7460                   | 9.6            | 7,460        | 10 x 28 x 13                        | \$4,990     | GA (V1)              |
|               | 15                  | CFW500D47P0T2DB20G2   | CFDB5-10-7460                   | 9.6            | 7,460        | 10 x 28 x 13                        | \$4,990     | GA (V1)              |
|               | 25                  | CFW500E56P0T2DB20G2   | CFDB5-7-11190                   | 6.3            | 11,190       | 10 x 28 x 16                        | \$5,620     | GA (V1)              |
|               | 25                  | CFW500F77P0T2DB20G2   | CFDB5-8-9325                    | 7.5            | 9,325        | 10 x 28 x 13                        | \$4,990     | GA (V1)              |
|               | 30                  | CFW500F88P0T2DB20G2   | CFDB5-8-9325                    | 7.5            | 9,325        | 10 x 28 x 13                        | \$4,990     | GA (V1)              |
|               | 40                  | CFW500F0105T2DB20G2   | CFDB5-4-18650                   | 3.9            | 18,650       | 24 x 30 x 18                        | \$11,025    | GA (V1)              |
|               | 50                  | CFW500G0145T2DB20G2   | CFDB5-3-27975                   | 2.7            | 27,975       | 32 x 30 x 18                        | \$16,420    | GA (V1)              |
|               | 60                  | CFW500G0180T2DB20G2   | CFDB5-3-27975                   | 2.7            | 27,975       | 32 x 30 x 18                        | \$16,420    | GA (V1)              |
|               | 75                  | CFW500G0211T2DB20G2   | CFDB5-3-27975                   | 2.7            | 27,975       | 32 x 30 x 18                        | \$16,420    | GA (V1)              |
|               | 460 Vac             | 2                     | CFW500B02P6T4DB20G2             | CFDB5-150-1865 | 150          | 1,865                               | 5 x 19 x 13 | \$1,840              |
| 3             |                     | CFW500B04P3T4DB20G2   | CFDB5-150-1865                  | 150            | 1,865        | 5 x 19 x 13                         | \$1,840     | GA (V1)              |
| 5             |                     | CFW500B06P5T4DB20G2   | CFDB5-150-1865                  | 150            | 1,865        | 5 x 19 x 13                         | \$1,840     | GA (V1)              |
| 7 1/2         |                     | CFW500B10P0T4DB20G2   | CFDB5-75-3730                   | 75             | 3,730        | 5 x 26.5 x 16                       | \$3,155     | GA (V1)              |
| 10            |                     | CFW500C14P0T4DB20G2   | CFDB5-38-7460                   | 38             | 7,460        | 10 x 28 x 13                        | \$4,555     | GA (V1)              |
| 10            |                     | CFW500C16P0T4DB20G2   | CFDB5-38-7460                   | 38             | 7,460        | 10 x 28 x 13                        | \$4,555     | GA (V1)              |
| 15            |                     | CFW500D24P0T4DB20G2   | CFDB5-30-9325                   | 30             | 9,325        | 10 x 28 x 16                        | \$5,050     | GA (V1)              |
| 20            |                     | CFW500D31P0T4DB20G2   | CFDB5-25-11190                  | 25             | 11,190       | 10 x 28 x 16                        | \$5,425     | GA (V1)              |
| 25/30         |                     | CFW500E39P0T4DB20G2   | CFDB5-10-27975                  | 10             | 27,975       | 32 x 30 x 18                        | \$15,605    | GA (V1)              |
| 40            |                     | CFW500E49P0T4DB20G2   | CFDB5-10-27975                  | 10             | 27,975       | 32 x 30 x 18                        | \$15,605    | GA (V1)              |
| 50/60         |                     | CFW500F77P0T4DB20G2   | CFDB5-15-22380                  | 15             | 22,380       | 24 x 30 x 18                        | \$10,865    | GA (V1)              |
| 60/75         |                     | CFW500F88P0T4DB20G2   | CFDB5-15-22380                  | 15             | 22,380       | 24 x 30 x 18                        | \$10,865    | GA (V1)              |
| 75            |                     | CFW500F0105T4DB20G2   | CFDB5-8-46625                   | 8              | 46,625       | 32 x 30 x 18                        | \$20,600    | GA (V1)              |
| 100/125       |                     | CFW500G0142T4DB20G2   | CFDB5-5-74600                   | 5              | 74,600       | 72 x 30 x 18                        | \$33,780    | GA (V1)              |
| 150           |                     | CFW500G0180T4DB20G2   | CFDB5-5-74600                   | 5              | 74,600       | 72 x 30 x 18                        | \$33,780    | GA (V1)              |
| 175           | CFW500G0211T4DB20G2 | CFDB5-5-74600         | 5                               | 74,600         | 72 x 30 x 18 | \$33,780                            | GA (V1)     |                      |

Notes:

1. Dimensions are provided for estimating purposes only.



### CFW500-G2-N4X (IP66)

### Dynamic Braking Resistors - 100% Braking Torque at 20% Duty Cycle (12 Seconds Max. Braking Time) - NEMA1 Enclosure

| Motor Voltage | Motor HP (ND) | CFW500 Catalog Number   | Braking Resistor Catalog Number | Rated Ohms    | Rated Watts | Dimensions (in.) HxWxD <sup>1</sup> | List Price  | Multiplier New (Old) |
|---------------|---------------|-------------------------|---------------------------------|---------------|-------------|-------------------------------------|-------------|----------------------|
| 230 Vac       | 1/3           | CFW500A01P6B2DB66(DS)G2 | CFDB2-190-149                   | 190           | 149         | 5 x 12 x 5                          | \$525       | GA (V1)              |
|               | 3/4           | CFW500A02P6B2DB66(DS)G2 | CFDB2-190-149                   | 190           | 149         | 5 x 12 x 5                          | \$525       | GA (V1)              |
|               | 1 1/2         | CFW500A04P3B2DB66(DS)G2 | CFDB2-190-149                   | 190           | 149         | 5 x 12 x 5                          | \$525       | GA (V1)              |
|               | 2             | CFW500A07P3B2DB66(DS)G2 | CFDB2-63-448                    | 63            | 448         | 5 x 12 x 7                          | \$825       | GA (V1)              |
|               | 3             | CFW500A10P0B2DB66(DS)G2 | CFDB2-38-746                    | 38            | 746         | 5 x 12 x 10                         | \$1,025     | GA (V1)              |
|               | 5             | CFW500A16P0T2DB66(DS)G2 | CFDB2-26-1119                   | 26            | 1,119       | 5 x 12 x 13                         | \$1,225     | GA (V1)              |
|               | 7 1/2         | CFW500B24P0T2DB66(DS)G2 | CFDB2-19-1492                   | 19            | 1,492       | 5 x 12 x 16                         | \$1,430     | GA (V1)              |
|               | 10            | CFW500B28P0T2DB66(DS)G2 | CFDB2-13-2238                   | 12.6          | 2,238       | 5 x 19 x 10                         | \$1,775     | GA (V1)              |
|               | 10            | CFW500B33P0T2DB66(DS)G2 | CFDB2-10-2984                   | 9.6           | 2,984       | 5 x 19 x 10                         | \$1,775     | GA (V1)              |
|               | 460 Vac       | 1/2                     | CFW500A01P0T4DB66(DS)G2         | CFDB2-150-746 | 150         | 746                                 | 5 x 12 x 10 | \$1,025              |
| 1             |               | CFW500A01P6T4DB66(DS)G2 | CFDB2-150-746                   | 150           | 746         | 5 x 12 x 10                         | \$1,025     | GA (V1)              |
| 2             |               | CFW500A02P6T4DB66(DS)G2 | CFDB2-150-746                   | 150           | 746         | 5 x 12 x 10                         | \$1,025     | GA (V1)              |
| 3             |               | CFW500A04P3T4DB66(DS)G2 | CFDB2-150-746                   | 150           | 746         | 5 x 12 x 10                         | \$1,025     | GA (V1)              |
| 5             |               | CFW500A06P5T4DB66(DS)G2 | CFDB2-150-746                   | 150           | 746         | 5 x 12 x 10                         | \$1,025     | GA (V1)              |
| 7 1/2         |               | CFW500A10P0T4DB66(DS)G2 | CFDB2-75-1492                   | 75            | 1,492       | 5 x 12 x 16                         | \$1,430     | GA (V1)              |
| 10            |               | CFW500B14P0T4DB66(DS)G2 | CFDB2-50-2238                   | 50            | 2,238       | 5 x 19 x 13                         | \$1,965     | GA (V1)              |
| 10            |               | CFW500B16P0T4DB66(DS)G2 | CFDB2-50-2238                   | 50            | 2,238       | 5 x 19 x 13                         | \$1,965     | GA (V1)              |
| 15            |               | CFW500B24P0T4DB66(DS)G2 | CFDB2-25-4476                   | 25            | 4,476       | 5 x 26.5 x 13                       | \$2,700     | GA (V1)              |
| 25            |               | CFW500B31P0T4DB66(DS)G2 | CFDB2-19-5968                   | 19            | 5,968       | 5 x 26.5 x 16                       | \$3,155     | GA (V1)              |

Notes:

1. Dimensions are provided for estimating purposes only.

INDEX  
 WARRANTY INFO  
 CFW100 G2  
 CFW300  
 CFW500 G2  
 CFW500 G1  
 CFW700  
 CFW11  
 CFW11M  
 PUMP GENIUS  
 CFW501  
 CFW701  
 SSW05  
 SSW07  
 SSW900  
 SSW7000  
 EDP11  
 GPH2  
 APS9  
 MFM

# Variable Frequency Drives



CFW500-G2

CFW500

Line and Load Reactors - 3% Z (Impedance) - NEMA 1 Enclosure

| Motor Voltage | Motor HP                                       | Reactor Amps | Catalog Number | List Price | Multiplier |
|---------------|--|--------------|----------------|------------|------------|
| 230 Vac       | <b>Input Power Supply: Three-Phase 230 Vac</b> |              |                |            |            |
|               | 3  | 12           | LRW012D3N1     | \$671      | GA (V1)    |
|               | 5  | 18           | LRW018D3N1     | \$790      | GA (V1)    |
|               | 7 1/2  | 25           | LRW025D3N1     | \$910      | GA (V1)    |
|               | 10   | 35           | LRW035D3N1     | \$972      | GA (V1)    |
|               | 15   | 45           | LRW045D3N1     | \$1,162    | GA (V1)    |
|               | 20   | 55           | LRW055D3N1     | \$1,371    | GA (V1)    |
|               | 25 / 30  | 80           | LRW080D3N1     | \$1,396    | GA (V1)    |
|               | 40   | 100          | LRW100D3N1     | \$1,671    | GA (V1)    |
|               | 50   | 130          | LRW130D3N1     | \$1,807    | GA (V1)    |
|               | 60   | 160          | LRW160D3N1     | \$2,192    | GA (V1)    |
|               | 75   | 200          | LRW200D3N1     | \$2,286    | GA (V1)    |
| 460 Vac       | <b>Input Power Supply: Three-Phase 460 Vac</b> |              |                |            |            |
|               | 1 1/2  | 2            | LRW002G3N1     | \$595      | GA (V1)    |
|               | 2 , 3  | 4            | LRW004G3N1     | \$612      | GA (V1)    |
|               | 5  | 8            | LRW008G3N1     | \$656      | GA (V1)    |
|               | 7 1/2  | 12           | LRW012G3N1     | \$693      | GA (V1)    |
|               | 10   | 18           | LRW018G3N1     | \$803      | GA (V1)    |
|               | 15   | 25           | LRW025G3N1     | \$972      | GA (V1)    |
|               | 20 / 25  | 35           | LRW035G3N1     | \$1,007    | GA (V1)    |
|               | 30   | 45           | LRW045G3N1     | \$1,315    | GA (V1)    |
|               | 40   | 55           | LRW055G3N1     | \$1,460    | GA (V1)    |
|               | 50 / 60  | 80           | LRW080G3N1     | \$1,815    | GA (V1)    |
|               | 75   | 100          | LRW100G3N1     | \$1,797    | GA (V1)    |
|               | 100  | 130          | LRW130G3N1     | \$2,257    | GA (V1)    |
|               | 125  | 160          | LRW160G3N1     | \$3,064    | GA (V1)    |
|               | 150  | 200          | LRW200G3N1     | \$2,702    | GA (V1)    |
| 175/200       | 250  | LRW250G3N1   | \$4,592        | GA (V1)    |            |

Notes:

1. Dimensions and weights are provided for estimating purposes only.

# CFW500-G1 (GENERATION-1)

Developed for fast commissioning, the CFW500 VFD is perfect for machines. Extremely compact and cost-effective, it meets the needs of machine manufacturers, system integrators, panel installers and users. The CFW500 has advanced technology plug and play options, developed for fast commissioning, providing great flexibility and competitive advantage while offering excellent performance and reliability. Designed for exclusively industrial or professional use, perfect for OEM, system integrators, panel installers and End Users providing great benefit from the added value.

## Standard Features

- Compatible - wide range of accessories
- Single and Three phase input voltage
- 200 - 240v, 380 - 480v or 500 - 600v in put range
- v/hz and sensorless vector control
- Flexible - application functions
- Robust - 150% overload for one minute
- Efficient - provides optimal speed for production
- Reliable - 100% are tested with rated load at the factory
- Integrable - Fieldbus networks
- RS-485 (Modbus RTU) Communication as a standard
- IP 20 Rating. (Use NEMA 1 kit, part #CFW500-KN1x, listed in "Options and Accessories" section to convert IP20 VFD to NEMA1 rating).

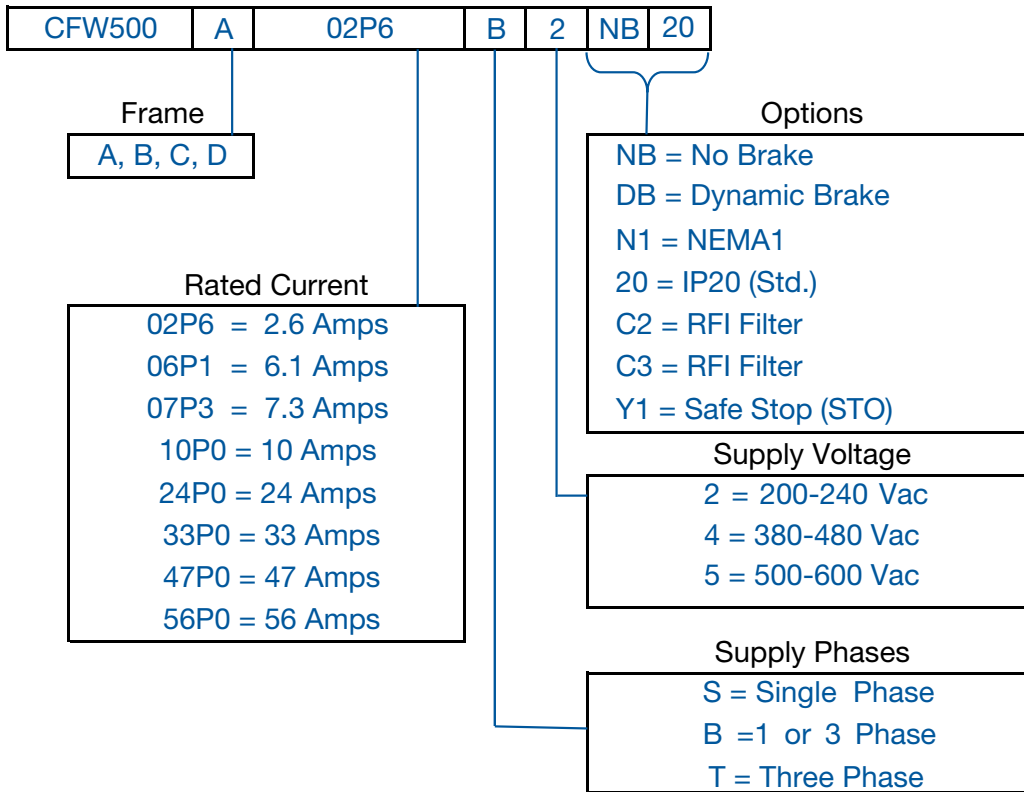


## Applications

- Centrifugal pumps
- Compressors
- Process dosing pumps
- Fans/ventilators
- Mixers/blenders
- Commercial dryers
- Extruders
- Conveyor belts
- Elevators
- General machinery

## CFW500-G1

### CFW500 Catalog Number Sequence



*Table intended as reference and not to create part numbers.*



### IP20 Finger Safe Enclosure (Use NEMA1 kit, part # CFW500-KN1A/B/C/D/E, to convert IP20 rated CFW500 to UL TYPE 1 / NEMA1 rating)

| Motor Voltage   | HD-Motor HP <sup>1</sup>                                     | HD-Drive Amps <sup>2</sup>                         | Catalog Number    | Braking Transistor | Frame Size | Dimensions (in.) HxWxD | Approx. Weight (lbs.) | List Price | Multiplier New (Old) |  |
|-----------------|--|--|-------------------|--------------------|------------|------------------------|-----------------------|------------|----------------------|--|
| 230 Vac/3 Phase | <b>Input Power Supply: Single-Phase 200-240 Vac</b>          |  |                   |                    |            |                        |                       |            |                      |  |
|                 | 1/3  | 1.6  | CFW500A01P6S2NB20 | No                 | A          | 7.5 x 3.0 x 5.9        | 1.8                   | \$451      | V1G (V1)             |  |
|                 | 3/4  | 2.6  | CFW500A02P6S2NB20 | No                 | A          | 7.5 x 3.0 x 5.9        | 1.8                   | \$463      | V1G (V1)             |  |
|                 | 1 1/2  | 4.3  | CFW500A04P3S2NB20 | No                 | A          | 7.5 x 3.0 x 5.9        | 1.8                   | \$499      | V1G (V1)             |  |
|                 | 2  | 7.3  | CFW500A07P0S2NB20 | No                 | A          | 7.5 x 3.0 x 5.9        | 1.8                   | \$633      | V1G (V1)             |  |
|                 | <b>Input Power Supply: Single or Three-Phase 200-240 Vac</b> |  |                   |                    |            |                        |                       |            |                      |  |
|                 | 1/3  | 1.6  | CFW500A01P6B2NB20 | No                 | A          | 7.5 x 3.0 x 5.9        | 1.8                   | \$456      | V1G (V1)             |  |
|                 | 3/4  | 2.6  | CFW500A02P6B2NB20 | No                 | A          | 7.5 x 3.0 x 5.9        | 1.8                   | \$467      | V1G (V1)             |  |
|                 | 1 1/2  | 4.3  | CFW500A04P3B2NB20 | No                 | A          | 7.5 x 3.0 x 5.9        | 1.8                   | \$506      | V1G (V1)             |  |
|                 | 2  | 7.3  | CFW500B07P3B2DB20 | Yes                | B          | 7.9 x 4.0 x 6.3        | 2.6                   | \$678      | V1G (V1)             |  |
|                 | 3  | 10.0   | CFW500B10P0B2DB20 | Yes                | B          | 7.9 x 4.0 x 6.3        | 2.6                   | \$789      | V1G (V1)             |  |
|                 | <b>Input Power Supply: Three-Phase 200-240 Vac</b>           |  |                   |                    |            |                        |                       |            |                      |  |
|                 | 2  | 7.0  | CFW500A07P0T2NB20 | No                 | A          | 7.5 x 3.0 x 5.9        | 1.8                   | \$628      | V1G (V1)             |  |
|                 | 3  | 9.6  | CFW500A09P6T2NB20 | No                 | A          | 7.5 x 3.0 x 5.9        | 1.8                   | \$773      | V1G (V1)             |  |
|                 | 5  | 16   | CFW500B16P0T2DB20 | Yes                | B          | 7.9 x 4.0 x 6.3        | 2.6                   | \$842      | V1G (V1)             |  |
|                 | 7 1/2  | 24   | CFW500C24P0T2DB20 | Yes                | C          | 8.3 x 5.3 x 6.5        | 4.4                   | \$1,427    | V1G (V1)             |  |
|                 | 10   | 28   | CFW500D28P0T2DB20 | Yes                | D          | 12.1 x 7.1 x 6.6       | 9.5                   | \$1,777    | V1G (V1)             |  |
|                 | 10   | 33   | CFW500D33P0T2DB20 | Yes                | D          | 12.1 x 7.1 x 6.6       | 9.5                   | \$2,146    | V1G (V1)             |  |
|                 | 15   | 47   | CFW500D47P0T2DB20 | Yes                | D          | 12.1 x 7.1 x 6.6       | 9.5                   | \$2,910    | V1G (V1)             |  |
|                 | 20   | 56   | CFW500E56P0T2DB20 | Yes                | E          | 13.8 x 8.7 x 7.6       | 22.1                  | \$3,380    | V1G (V1)             |  |
| 460 Vac/3 Phase | <b>Input Power Supply: Three-Phase 380-480 Vac</b>           |  |                   |                    |            |                        |                       |            |                      |  |
|                 | 1/2  | 1.0  | CFW500A01P0T4NB20 | No                 | A          | 7.5 x 3.0 x 5.9        | 1.8                   | \$582      | V1G (V1)             |  |
|                 | 1  | 1.6  | CFW500A01P6T4NB20 | No                 | A          | 7.5 x 3.0 x 5.9        | 1.8                   | \$604      | V1G (V1)             |  |
|                 | 1 1/2  | 2.6  | CFW500A02P6T4NB20 | No                 | A          | 7.5 x 3.0 x 5.9        | 1.8                   | \$649      | V1G (V1)             |  |
|                 | 3  | 4.3  | CFW500A04P3T4NB20 | No                 | A          | 7.5 x 3.0 x 5.9        | 1.8                   | \$799      | V1G (V1)             |  |
|                 | 3  | 6.1  | CFW500A06P1T4NB20 | No                 | A          | 7.5 x 3.0 x 5.9        | 1.8                   | \$982      | V1G (V1)             |  |
|                 | 1 1/2  | 2.6  | CFW500B02P6T4DB20 | Yes                | B          | 7.9 x 4.0 x 6.3        | 2.6                   | \$708      | V1G (V1)             |  |
|                 | 3  | 4.3  | CFW500B04P3T4DB20 | Yes                | B          | 7.9 x 4.0 x 6.3        | 2.6                   | \$892      | V1G (V1)             |  |
|                 | 5  | 6.5  | CFW500B06P5T4DB20 | Yes                | B          | 7.9 x 4.0 x 6.3        | 2.6                   | \$1,067    | V1G (V1)             |  |
|                 | 7 1/2  | 10   | CFW500B10P0T4DB20 | Yes                | B          | 7.9 x 4.0 x 6.3        | 2.6                   | \$1,207    | V1G (V1)             |  |
|                 | 10   | 14   | CFW500C14P0T4DB20 | Yes                | C          | 8.3 x 5.3 x 6.5        | 4.4                   | \$1,495    | V1G (V1)             |  |
|                 | 10   | 16   | CFW500C16P0T4DB20 | Yes                | C          | 8.3 x 5.3 x 6.5        | 4.4                   | \$1,684    | V1G (V1)             |  |
|                 | 15   | 24   | CFW500D24P0T4DB20 | Yes                | D          | 12.1 x 7.1 x 6.6       | 9.5                   | \$2,229    | V1G (V1)             |  |
|                 | 25   | 31   | CFW500D31P0T4DB20 | Yes                | D          | 12.1 x 7.1 x 6.6       | 9.5                   | \$2,783    | V1G (V1)             |  |
|                 | 30   | 39   | CFW500E39P0T4DB20 | Yes                | E          | 13.8 x 8.7 x 7.6       | 22.1                  | \$3,346    | V1G (V1)             |  |
|                 | 40   | 49   | CFW500E49P0T4DB20 | Yes                | E          | 13.8 x 8.7 x 7.6       | 22.1                  | \$4,214    | V1G (V1)             |  |
|                 | 575 Vac 3/3 Phase  | <b>Input Power Supply: Three-Phase 500-600 Vac</b> |                   |                    |            |                        |                       |            |                      |  |
| 1 1/2           |  | 1.7  | CFW500C01P7T5DB20 | Yes                | C          | 8.3 x 5.3 x 6.5        | 4.4                   | \$910      | V1G (V1)             |  |
| 3               |  | 3.0  | CFW500C03P0T5DB20 | Yes                | C          | 8.3 x 5.3 x 6.5        | 4.4                   | \$954      | V1G (V1)             |  |
| 3               |  | 4.3  | CFW500C04P3T5DB20 | Yes                | C          | 8.3 x 5.3 x 6.5        | 4.4                   | \$1,073    | V1G (V1)             |  |
| 7 1/2           |  | 7.0  | CFW500C07P0T5DB20 | Yes                | C          | 8.3 x 5.3 x 6.5        | 4.4                   | \$1,276    | V1G (V1)             |  |
| 10              |  | 10.0   | CFW500C10P0T5DB20 | Yes                | C          | 8.3 x 5.3 x 6.5        | 4.4                   | \$1,621    | V1G (V1)             |  |
| 10              |  | 12.0   | CFW500C12P0T5DB20 | Yes                | C          | 8.3 x 5.3 x 6.5        | 4.4                   | \$1,813    | V1G (V1)             |  |

Notes:  
 1) "HP" rating based on "average FLA values". Use as a guide only.  
 2) Motor FLA may vary with speed and manufacturer. ALWAYS compare motor FLA to Nominal AMPS of drive.  
 3) All 575V drives are non-stocked items. Consult WEG for availability.  
 For other technical data please refer to WEG product manual.

## CFW500-G1

### Options and Accessories

| Type                       | CATALOG NUMBER                  | Description   | Apprx. Shpg. Wt. (lbs.) | List Price   | Multiplier New (old) |
|----------------------------|---------------------------------|---|-------------------------|--------------|----------------------|
| I/O                        | <b>CFW500-IOS</b> <sup>1</sup>  | CFW500 I/O Module; 4 DI, 1 AI, 1 AO, 1 DOR, 1 DOT, 1 RS485, 10vdc, 24vdc  | 0.2                     | <b>\$110</b> | V1G (V1)             |
| I/O                        | <b>CFW500-IOD</b>               | CFW500 I/O Module; 8 DI, 1 AI, 1 AO, 1 DOR, 4 DOT, 1 RS485, 10vdc, 24vdc  | 0.2                     | <b>\$141</b> | V1G (V1)             |
| I/O                        | <b>CFW500-IOAD</b>              | CFW500 I/O Module; 6 DI, 3 AI, 2 AO, 1 DOR, 3 DOT, 1 RS485, 10vdc, 24vdc  | 0.2                     | <b>\$182</b> | V1G (V1)             |
| I/O                        | <b>CFW500-IOR-B</b>             | CFW500 I/O Module; 5 DI, 1 AI, 1 AO, 4 DOR, 1 DOT, 1 RS485, 10vdc, 24vdc  | 0.2                     | <b>\$125</b> | V1G (V1)             |
| Encoder Input              | <b>CFW500-ENC</b>               | CFW500 Encoder Module; Quad Input A & B, 1 RS485, 5 DI, 1 AI, 1 AO, 3 DOR, 1 DOT, 24vdc   | 0.2                     | <b>\$210</b> | V1G (V1)             |
| USB Card                   | <b>CFW500-CUSB</b>              | CFW500 Comm. Module; 1 USB, 1 RS485, 4 DI, 1 AI, 1 AO, 1 DOR, 1 DOT, 10vdc, 24vdc   | 0.2                     | <b>\$210</b> | V1G (V1)             |
| RS232 Card                 | <b>CFW500-CRS232</b>            | CFW500 Comm. Module; 1 RS232, 1 RS485, 4 DI, 1 AI, 1 AO, 1 DOR, 1 DOT, 24vdc  | 0.2                     | <b>\$138</b> | V1G (V1)             |
| RS485 Card                 | <b>CFW500-CRS485</b>            | CFW500 Comm. Module; 2 RS485, 4 DI, 2 AI, 1 AO, 2 DOR, 1 DOT, 10vdc, 24vdc  | 0.2                     | <b>\$143</b> | V1G (V1)             |
| CANopen Card               | <b>CFW500-CCAN</b>              | CFW500 Comm. Module; 1 CAN/DeviceNet, 1 RS485, 2 DI, 1 AI, 1 AO, 1 DOR, 1 DOT, 10vdc, 24vdc   | 0.2                     | <b>\$138</b> | V1G (V1)             |
| Profibus DP Card           | <b>CFW500-CPDP</b>              | CFW500 Comm. Module; 2 DI, 1 AI, 1 AO, 1 DOR, 1 DOT, 1 Profibus DP, 1 RS485, 24vdc  | 0.2                     | <b>\$405</b> | V1G (V1)             |
| Profibus DP & DP-V1 Module | <b>CFW500-CPDP2</b>             | CFW500 Comm. Module; 1-Profibus DP & DP-V1 100BASE TX RJ-45 Port, 1-RS485, 2-DI, 1-AI, 1-AO, 1-DOR, 1-DOT, 24vdc                          | 0.2                     | <b>\$445</b> | V1G (V1)             |
| Modbus TCP Comm. Module    | <b>CFW500-CEMB-TCP</b>          | CFW500 Comm. Module; 1-Modbus TCP 100BASE TX RJ-45 Port, 1-RS485, 2-DI, 1-AI, 1-AO, 1-DOR, 1-DOT, 24vdc                                   | 0.2                     | <b>\$499</b> | V1G (V1)             |
| ProfiNet I/O Comm. Module  | <b>CFW500-CEPN-IO</b>           | CFW500 Comm. Module; 1-ProfiNet I/O 100BASE TX RJ-45 Port, 1-RS485, 2-DI, 1-AI, 1-AO, 1-DOR, 1-DOT, 24vdc                                 | 0.2                     | <b>\$499</b> | V1G (V1)             |
| EtherNet IP Comm. Module   | <b>CFW500-CETH-IP</b>           | CFW500 Comm. Module; 2-DI, 1-AI, 1-AO, 1-DOR, 1-DOT, 1-RS485, 1-EtherNet IP 100BASE TX RJ-45 Port, 24vdc                                  | 0.2                     | <b>\$499</b> | V1G (V1)             |
| Flash Memory Module        | <b>CFW500-MMF</b>               | CFW500 Flash Memory Module for saving and reloading program and parameters to / from the drive  | 0.2                     | <b>\$189</b> | V1G (V1)             |
| Remote Keypad              | <b>CFW500-HMIR</b> <sup>2</sup> | CFW500 Remote Keypad for mounting through enclosure door  | 0.6                     | <b>\$169</b> | V1G (V1)             |
| Remote Oper. Station       | <b>CSW-SP3PBS</b>               | Remote Operator Station-includes 22mm Start PB, Stop PB, 1-NC and 1-NO contact block, 5k-ohm Potentiometer and legends (replaces CFW-REM) | 5.0                     | <b>\$460</b> | Z5                   |
| Remote Oper. Station       | <b>CSW30-SP3PBS</b>             | Remote Operator Station-includes 30mm Start PB, Stop PB, 1-NC and 1-NO contact block, 5k-ohm Potentiometer and legends (replaces CFW-REM) | 5.0                     | <b>\$535</b> | Z55 (Z5)             |
| HMI Cable 1M               | <b>CFW500-CCHMIR01M</b>         | 3.3 ft (1 meter) Remote Keypad Cable  | 0.5                     | <b>\$23</b>  | V1G (V1)             |
| HMI Cable 2M               | <b>CFW500-CCHMIR02M</b>         | 6.6 ft (2 meter) Remote Keypad Cable  | 0.7                     | <b>\$31</b>  | V1G (V1)             |
| HMI Cable 3M               | <b>CFW500-CCHMIR03M</b>         | 9.9 ft (3 meter) Remote Keypad Cable  | 1.0                     | <b>\$41</b>  | V1G (V1)             |
| HMI Cable 5M               | <b>CFW500-CCHMIR05M</b>         | 16 ft (5 meter) Remote Keypad Cable   | 1.2                     | <b>\$51</b>  | V1G (V1)             |
| HMI Cable 7.5M             | <b>CFW500-CCHMIR075M</b>        | 25 ft (7.5 meter) Remote Keypad Cable   | 1.5                     | <b>\$61</b>  | V1G (V1)             |
| HMI Cable 10M              | <b>CFW500-CCHMIR010M</b>        | 33 ft (10 meter) Remote Keypad Cable  | 2.0                     | <b>\$72</b>  | V1G (V1)             |
| NEMA1 Conduit Kit          | <b>CFW500-KN1A</b>              | NEMA 1 kit - Frame Size A   |                         | <b>\$28</b>  | V1G (V1)             |
| NEMA1 Conduit Kit          | <b>CFW500-KN1B</b>              | NEMA 1 kit - Frame Size B   |                         | <b>\$33</b>  | V1G (V1)             |
| NEMA1 Conduit Kit          | <b>CFW500-KN1C</b>              | NEMA 1 kit - Frame Size C   |                         | <b>\$44</b>  | V1G (V1)             |
| NEMA1 Conduit Kit          | <b>CFW500-KN1D</b>              | NEMA 1 kit - Frame Size D   |                         | <b>\$59</b>  | V1G (V1)             |
| NEMA1 Conduit Kit          | <b>CFW500-KN1E</b>              | NEMA 1 kit - Frame Size E   |                         | <b>\$64</b>  | V1G (V1)             |
| Cable Shield Clamp Kit     | <b>CFW500-KPCSA</b>             | Cable Shield Clamp Kit for Frame A  | 1.0                     | <b>\$41</b>  | V1G (V1)             |
| Cable Shield Clamp Kit     | <b>CFW500-KPCSB</b>             | Cable Shield Clamp Kit for Frame B  | 1.0                     | <b>\$44</b>  | V1G (V1)             |
| Cable Shield Clamp Kit     | <b>CFW500-KPCSC</b>             | Cable Shield Clamp Kit for Frame C  | 1.1                     | <b>\$46</b>  | V1G (V1)             |
| Cable Shield Clamp Kit     | <b>CFW500-KPCSD</b>             | Cable Shield Clamp Kit for Frame D  | 1.1                     | <b>\$51</b>  | V1G (V1)             |

**Notes:**

- 1) CFW500-IOS Card is included as standard with CFW500 Drives
- 2) CFW500-HMIR Remote Keypad requires Qty. (1) CFW500-CCHIR0xM cable. ("x" represents the cable length in meters)



### Option Card I/O Table

| CFW500 Option Module             | DI <sup>1</sup> | AI | AO | DOR | DOT | Infrared | Encoder | USB | RS232 | RS485 | CANopen / DeviceNet | Profibus-DP / DP V1 | Modbus TCP | ProfiNet I/O | EtherNet I/P |
|----------------------------------|-----------------|----|----|-----|-----|----------|---------|-----|-------|-------|---------------------|---------------------|------------|--------------|--------------|
| <b>CFW500-IOS <sup>1</sup></b>   | 4               | 1  | 1  | 1   | 1   |          |         |     |       | 1     |                     |                     |            |              |              |
| <b>CFW500-IOD</b>                | 8               | 1  | 1  | 1   | 4   |          |         |     |       | 1     |                     |                     |            |              |              |
| <b>CFW500-IOAD</b>               | 6               | 3  | 2  | 1   | 3   |          |         |     |       | 1     |                     |                     |            |              |              |
| <b>CFW500-IOR / CFW500-IOR-B</b> | 5               | 1  | 1  | 4   | 1   | 1        |         |     |       | 1     |                     |                     |            |              |              |
| <b>CFW500-ENC</b>                | 5               | 1  | 1  | 3   | 1   |          | 1       |     |       | 1     |                     |                     |            |              |              |
| <b>CFW500-CUSB</b>               | 4               | 1  | 1  | 1   | 1   |          |         | 1   |       | 1     |                     |                     |            |              |              |
| <b>CFW500-CRS232</b>             | 4               | 1  | 1  | 1   | 1   |          |         |     | 1     | 1     |                     |                     |            |              |              |
| <b>CFW500-CRS485-B</b>           | 4               | 2  | 1  | 2   | 1   |          |         |     |       | 2     |                     |                     |            |              |              |
| <b>CFW500-CCAN</b>               | 2               | 1  | 1  | 1   | 1   |          |         |     |       | 1     | 1                   |                     |            |              |              |
| <b>CFW500-CPDP</b>               | 2               | 1  | 1  | 1   | 1   |          |         |     |       | 1     |                     | 1                   |            |              |              |
| <b>CFW500-CPDP2</b>              | 2               | 1  | 1  | 1   | 1   |          |         |     |       | 1     |                     | 1                   |            |              |              |
| <b>CFW500-CEMB-TCP</b>           | 2               | 1  | 1  | 1   | 1   |          |         |     |       | 1     |                     |                     | 1          |              |              |
| <b>CFW500-CEPN-IO</b>            | 2               | 1  | 1  | 1   | 1   |          |         |     |       | 1     |                     |                     |            | 1            |              |
| <b>CFW500-CETH-IP</b>            | 2               | 1  | 1  | 1   | 1   |          |         |     |       | 1     |                     |                     |            |              | 1            |

Notes:

1) The CFW500 VFD comes standard with "CFW500-IOS" Module. To use any of the above listed optional module, the CFW500-IOS module needs to be removed from the drive. In that case, the number of I/Os will depend on the I/O or communication module being used.

## CFW500-G1

### Technical Data

|                               |   |   |                        |
|-------------------------------|---|---|------------------------|
| <b>Power Supply</b>           | Voltage   | Single phase or Three Phase   | 200-240V (+10%, -15%)  |
|                               |   | Three phase   | 380-480V (+10%, -15%)  |
|                               | Frequency   | 50 / 60Hz +/- 2Hz   |                        |
|                               | Displacement Power Factor (Cos)   | Greater than 0.98   |                        |
| <b>Enclosure</b>              | Degree of Protection  | IP20  |                        |
|                               | Mounting  | Surface mounting with screws or DIN rail mounting   |                        |
| <b>Control</b>                | Control Modes   | Volts per Hertz (Scalar)  |                        |
|                               |   | Sensorless Voltage Vector   |                        |
|                               | Power Output  | Sinusoidal PWM (Space Vector Modulation)  |                        |
|                               |   | IGBT Transistors  |                        |
|                               | Switching Frequency   | 2.5, 5, 10 or 15kHz   |                        |
|                               | Frequency Range   | 0-300 Hz  |                        |
|                               | Overload Capacity   | 150% for 60 seconds, repeatable every 10 min.   |                        |
| <b>Control Inputs</b>         | 4 programmable isolated digital inputs, NPN or 24Vdc logic (PNP)  |   |                        |
|                               | 2 programmable differential analog inputs; programmable for current or voltage<br>Can be set as DI or as PTC input (0-10V, 4-20mA or 0-20mA)  |   |                        |
| <b>Control Outputs</b>        | 2 programmable relay outputs: One NO (Form A) and one NC (Form B): 240 V / 0.5 A  |   |                        |
|                               | 1 Analog Output; programmable for voltage (0-10V) or current (0-20 mA or 4-20 mA) and with 0.25% linearity error  |   |                        |
| <b>Communication</b>          | Serial  | Optional RS-232 serial interface, RS-485 with external RS-232/485 converter                           |                        |
|                               | Field Bus   | Modbus RTU with external RS-232/485 converter   |                        |
| <b>Safety</b>                 | Protections   | Motor over current  | DC link over voltage   |
|                               |   | Motor overload  | DC link under voltage  |
|                               |   | Output phase-to-phase short circuit   | Drive over temperature |
|                               |   | Output phase-to-ground short circuit  | External fault         |
|                               |   | Programming error   |                        |
| <b>Ambient</b>                | Temperature   | 14 - 122°F (50°C), up to 140°F (60°C) with 2% / 1.8°F (1°C) output current derating                   |                        |
|                               | Humidity  | 5-95% Non Condensing  |                        |
|                               | Altitude  | 0-3300 ft (1000m), up to 13,200 ft (4000m)<br>with 10% / 3300ft (1000m) output current derating       |                        |
| <b>Regulatory Conformance</b> | EMC Directive 89 / 336 / EEC  | Electromagnetic compatibility - Industrial Environment EMC Emission and Immunity with optional filter |                        |
|                               | ENC61800-3  |   |                        |
|                               | LVD 73/23/EEC   | Low Voltage Directive   |                        |
|                               | UL 508 C  | Power Conversion Equipment  |                        |
| <b>Special Functions</b>      | Linear and "S" ramp accel and decel, local/remote control, FWD/REV selection, DC braking, manual and auto torque boost, motor slip compensation, electronic pot, two skip frequencies, maximum and minimum adjustable frequency limits, adjustable output current, PID Controller |   |                        |
| <b>Keypad</b>                 | 4 digit display, 2 indicator LEDs and 8 keys  |   |                        |
|                               | Readouts for: output frequency (Hz), output current (A), output voltage (V), motor torque (%) in vector mode, DC bus voltage (V), value proportional to frequency (Ex.: RPM), heatsink temperature, fault and status messages   |   |                        |

# CFW700

The WEG CFW700 Series was designed to exceed industry expectations. Based on the robust CFW11 platform the CFW700 is designed and optimized for variable torque applications such as pumps and fans.

The CFW700 is the optimal drive for pump and fan control. The drive includes features such as built in PID controllers that can be programmed in engineering units for ease of understanding and set up. The drive also features an integrated power supply to be used with external transducers to measure flow or pressure.

These features combined with the drive's keypad based start up guide, make installation and parameter set up fast and easy.

## Standard Features

- Simplicity - same programming as all other WEG drives
- Dual DC Bus chokes for longer VFD lifetime (6% equivalent), reduces harmonics eliminating the need for external line reactors
- Plenum Rated - Meets UL94 Requirements
- 24VDC Power Supply for process transducers - Standard
- Soft-PLC with free programming software
- Encoder Input - Standard
- RS-485 Modbus RTU - Standard
- Conformal Coated boards for harsh industrial environments
- Rated 50 °C (122 °F) - up to 60 °C (140 °F) with derating
- Self-tuning function automatically matches VFD with motor
- UL, cUL, CE, C-Tick, GOST, IRAM approved
- SuperDrive G2 compatible

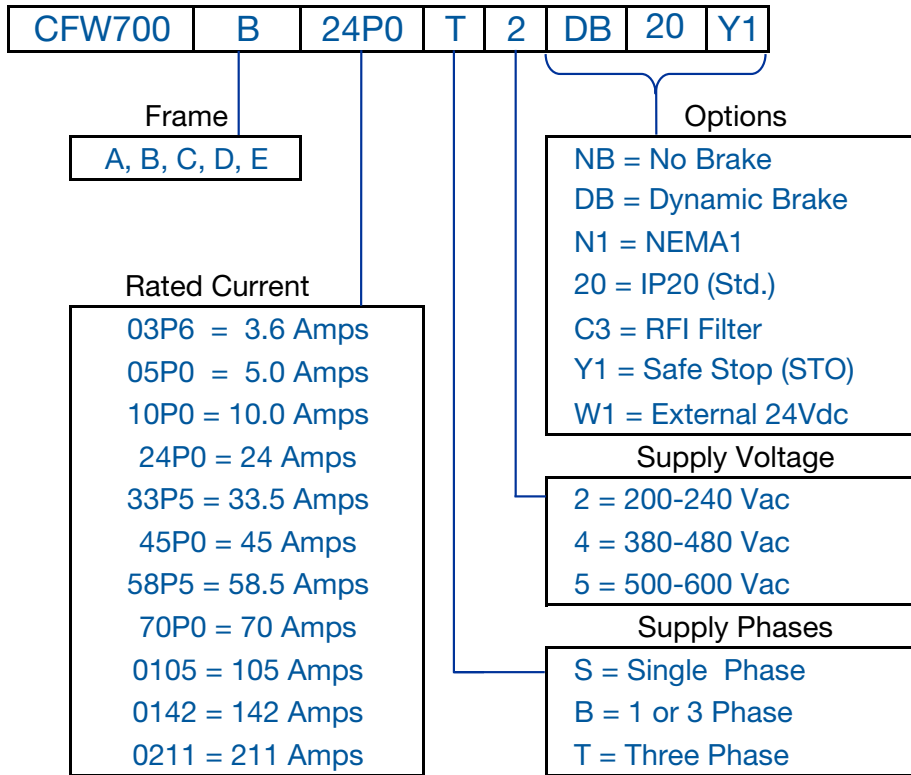


## Applications

- |                        |                  |
|------------------------|------------------|
| • Pumps                | • Fans/Blowers   |
| • Conveyers            | • Compressors    |
| • Agitators and Mixers | • Extruders      |
| • Grizzly Feeders      | • Centrifuges    |
| • Cranes and Hoists    | • Rollout Tables |
| • Presses              | • Saws           |

## CFW700

### CFW700 Catalog Number Sequence



*Table intended as reference only and not to create part numbers.*



### IP20 Enclosure (Use NEMA1 kit, part # KN1x-01/02, to convert IP20 rated CFW700 to UL TYPE 1 / NEMA1)

| Motor Voltage | ND / VT <sup>1</sup>   |                         | HD / CT <sup>1</sup>  |                         | Catalog Number      | Braking Transistor | Frame Size         | Dimensions (in.) HxWxD <sup>6</sup> | Approx. Weight (lbs.) <sup>6</sup> | List Price | Multiplier New (Old) |  |
|---------------|--|-------------------------|-----------------------|-------------------------|---------------------|--------------------|--------------------|-------------------------------------|------------------------------------|------------|----------------------|--|
|               | Motor HP <sup>2</sup>  | Drive Amps <sup>3</sup> | Motor HP <sup>2</sup> | Drive Amps <sup>3</sup> |                     |                    |                    |                                     |                                    |            |                      |  |
| 230 Vac       | <b>Input Power Supply: Single or Three-Phase 200-240 Vac with Dynamic Braking Transistor</b> |                         |                       |                         |                     |                    |                    |                                     |                                    |            |                      |  |
|               | 1 1/2  | 6.0                     | 1 1/2                 | 5.0                     | CFW700A06P0B2DB20   | Yes                | A                  | 12.1 x 5.8 x 9.0                    | 13.9                               | \$1,370    | V1G (V1)             |  |
|               | 2  | 7.0                     | 2                     | 7.0                     | CFW700A07P0B2DB20   | Yes                | A                  | 12.1 x 5.8 x 9.0                    | 13.9                               | \$1,430    | V1G (V1)             |  |
|               | <b>Input Power Supply: Single-Phase 200-240 Vac with Dynamic Braking Transistor</b>          |                         |                       |                         |                     |                    |                    |                                     |                                    |            |                      |  |
|               | 3  | 10                      | 3                     | 10                      | CFW700A10P0S2DB20   | Yes                | A                  | 12.1 x 5.8 x 9.0                    | 13.9                               | \$1,510    | V1G (V1)             |  |
|               | <b>Input Power Supply: Three-Phase 200-240 Vac with Dynamic Braking Transistor</b>           |                         |                       |                         |                     |                    |                    |                                     |                                    |            |                      |  |
|               | 2  | 7.0                     | 1 1/2                 | 5.5                     | CFW700A07P0T2DB20   | Yes                | A                  | 12.1 x 5.8 x 9.0                    | 13.9                               | \$1,350    | V1G (V1)             |  |
|               | 3  | 10                      | 2                     | 8.0                     | CFW700A10P0T2DB20   | Yes                | A                  | 12.1 x 5.8 x 9.0                    | 13.9                               | \$1,410    | V1G (V1)             |  |
|               | 5  | 13                      | 3                     | 11                      | CFW700A13P0T2DB20   | Yes                | A                  | 12.1 x 5.8 x 9.0                    | 13.9                               | \$1,440    | V1G (V1)             |  |
|               | 5  | 16                      | 5                     | 13                      | CFW700A16P0T2DB20   | Yes                | A                  | 12.1 x 5.8 x 9.0                    | 13.9                               | \$1,542    | V1G (V1)             |  |
|               | 7 1/2  | 24                      | 7 1/2                 | 20                      | CFW700B24P0T2DB20   | Yes                | B                  | 13.9 x 7.5 x 9.0                    | 24.1                               | \$2,020    | V1G (V1)             |  |
|               | 10   | 28                      | 10                    | 24                      | CFW700B28P0T2DB20   | Yes                | B                  | 13.9 x 7.5 x 9.0                    | 24.1                               | \$2,201    | V1G (V1)             |  |
|               | 10   | 33.5                    | 10                    | 28                      | CFW700B33P5T2DB20   | Yes                | B                  | 13.9 x 7.5 x 9.0                    | 24.1                               | \$2,600    | V1G (V1)             |  |
|               | 15   | 45                      | 15                    | 36                      | CFW700C45P0T2DB20   | Yes                | C                  | 17.7 x 8.7 x 11.5                   | 44.6                               | \$2,900    | V1G (V1)             |  |
|               | 20   | 54                      | 20                    | 45                      | CFW700C54P0T2DB20   | Yes                | C                  | 17.7 x 8.7 x 11.5                   | 44.6                               | \$3,700    | V1G (V1)             |  |
|               | 25   | 70                      | 20                    | 56                      | CFW700C70P0T2DB20   | Yes                | C                  | 17.7 x 8.7 x 11.5                   | 44.6                               | \$4,880    | V1G (V1)             |  |
|               | 30   | 86                      | 25                    | 70                      | CFW700D86P0T2DBN1   | Yes                | D                  | 19.9 x 11.9 x 12.0                  | 120.2                              | \$6,101    | V1G (V1)             |  |
|               | 40   | 105                     | 30                    | 86                      | CFW700D105T2DBN1    | Yes                | D                  | 19.9 x 11.9 x 12.0                  | 120.2                              | \$8,100    | V1G (V1)             |  |
|               | 50   | 142                     | 40                    | 115                     | CFW700E0142T2DB20C3 | Yes                | E <sup>5</sup>     | 26.6 x 13.2 x 14.1                  | 143                                | \$11,500   | V1G (V1)             |  |
|               | 60   | 180                     | 50                    | 142                     | CFW700E0180T2DB20C3 | Yes                | E <sup>5</sup>     | 26.6 x 13.2 x 14.1                  | 143                                | \$15,500   | V1G (V1)             |  |
|               | 75   | 211                     | 60                    | 180                     | CFW700E0211T2DB20C3 | Yes                | E <sup>5</sup>     | 26.6 x 13.2 x 14.1                  | 143                                | \$21,222   | V1G (V1)             |  |
|               | <b>Input Power Supply: Three-Phase 200-240 Vac without Dynamic Braking Transistor</b>        |                         |                       |                         |                     |                    |                    |                                     |                                    |            |                      |  |
|               | 50   | 142                     | 40                    | 115                     | CFW700E0142T2NB20C3 | No                 | E <sup>5</sup>     | 26.6 x 13.2 x 14.1                  | 143                                | \$10,101   | V1G (V1)             |  |
| 60            | 180  | 50                      | 142                   | CFW700E0180T2NB20C3     | No                  | E <sup>5</sup>     | 26.6 x 13.2 x 14.1 | 143                                 | \$12,999                           | V1G (V1)   |                      |  |
| 75            | 211  | 60                      | 180                   | CFW700E0211T2NB20C3     | No                  | E <sup>5</sup>     | 26.6 x 13.2 x 14.1 | 143                                 | \$18,555                           | V1G (V1)   |                      |  |

Notes:

- 1) CT = Constant Torque, 150% overload / 60 sec.; VT = Variable Torque (Quadratic Load), 110% overload / 60 sec.
- 2) "HP" rating based on "average FLA values". Use as a guide only.
- 3) Motor FLA may vary with speed and manufacturer. ALWAYS compare motor FLA to Nominal AMPS of drive.
- 4) All 575V drives are non-stocked items. Consult WEG for availability.
- 5) Maximum 45°C ambient temperature without derating
- 6) Dimensions and weights are provided for estimating purposes only. For other technical data please refer to WEG product manual.

# Variable Frequency Drives



## CFW700

IP20 Enclosure (Use NEMA1 kit, part # KN1x-01/02, to convert IP20 rated CFW700 to UL TYPE 1 / NEMA1)

| Motor Voltage | ND / VT <sup>1</sup>  |                         | HD / CT <sup>1</sup>  |                         | Catalog Number      | Braking Transistor | Frame Size         | Dimensions (in.) HxWxD <sup>6</sup> | Approx. Weight (lbs.) <sup>6</sup> | List Price      | Multiplier New (Old) |  |
|---------------|---|-------------------------|-----------------------|-------------------------|---------------------|--------------------|--------------------|-------------------------------------|------------------------------------|-----------------|----------------------|--|
|               | Motor HP <sup>2</sup>   | Drive Amps <sup>3</sup> | Motor HP <sup>2</sup> | Drive Amps <sup>3</sup> |                     |                    |                    |                                     |                                    |                 |                      |  |
| 460 Vac       | <b>Input Power Supply: Three-Phase 380-480 Vac with Dynamic Braking Transistor</b>    |                         |                       |                         |                     |                    |                    |                                     |                                    |                 |                      |  |
|               | 2   | 3.6                     | 2                     | 3.6                     | CFW700A03P6T4DB20   | Yes                | A                  | 12.1 x 5.8 x 9.0                    | 13.9                               | <b>\$1,350</b>  | V1G (V1)             |  |
|               | 3   | 5.0                     | 3                     | 5.0                     | CFW700A05P0T4DB20   | Yes                | A                  | 12.1 x 5.8 x 9.0                    | 13.9                               | <b>\$1,444</b>  | V1G (V1)             |  |
|               | 5   | 7.0                     | 3                     | 5.5                     | CFW700A07P0T4DB20   | Yes                | A                  | 12.1 x 5.8 x 9.0                    | 13.9                               | <b>\$1,510</b>  | V1G (V1)             |  |
|               | 7 1/2   | 10                      | 5                     | 10                      | CFW700A10P0T4DB20   | Yes                | A                  | 12.1 x 5.8 x 9.0                    | 13.9                               | <b>\$1,600</b>  | V1G (V1)             |  |
|               | 10  | 13.5                    | 7 1/2                 | 11                      | CFW700A13P5T4DB20   | Yes                | A                  | 12.1 x 5.8 x 9.0                    | 13.9                               | <b>\$1,711</b>  | V1G (V1)             |  |
|               | 10  | 17                      | 10                    | 13.5                    | CFW700B17P0T4DB20   | Yes                | B                  | 13.9 x 7.5 x 9.0                    | 24.1                               | <b>\$2,055</b>  | V1G (V1)             |  |
|               | 15  | 24                      | 10                    | 19                      | CFW700B24P0T4DB20   | Yes                | B                  | 13.9 x 7.5 x 9.0                    | 24.1                               | <b>\$2,455</b>  | V1G (V1)             |  |
|               | 20  | 31                      | 15                    | 25                      | CFW700B31P0T4DB20   | Yes                | B                  | 13.9 x 7.5 x 9.0                    | 24.1                               | <b>\$3,450</b>  | V1G (V1)             |  |
|               | 25  | 38                      | 20                    | 33                      | CFW700C38P0T4DB20   | Yes                | C                  | 17.7 x 8.7 x 11.5                   | 44.6                               | <b>\$3,888</b>  | V1G (V1)             |  |
|               | 30  | 45                      | 25                    | 38                      | CFW700C45P0T4DB20   | Yes                | C                  | 17.7 x 8.7 x 11.5                   | 44.6                               | <b>\$5,000</b>  | V1G (V1)             |  |
|               | 40  | 58.5                    | 30                    | 47                      | CFW700C58P5T4DB20   | Yes                | C                  | 17.7 x 8.7 x 11.5                   | 44.6                               | <b>\$5,800</b>  | V1G (V1)             |  |
|               | 50/60   | 70.5                    | 40                    | 61                      | CFW700D70P5T4DBN1   | Yes                | D                  | 19.9 x 11.9 x 12.0                  | 120.2                              | <b>\$6,888</b>  | V1G (V1)             |  |
|               | 60/75   | 88                      | 50                    | 73                      | CFW700D88P0T4DBN1   | Yes                | D                  | 19.9 x 11.9 x 12.0                  | 120.2                              | <b>\$8,100</b>  | V1G (V1)             |  |
|               | 75  | 105                     | 75                    | 88                      | CFW700E0105T4DB20C3 | Yes                | E <sup>5</sup>     | 26.6 x 13.2 x 14.1                  | 143                                | <b>\$11,989</b> | V1G (V1)             |  |
|               | 100/125   | 142                     | 75                    | 115                     | CFW700E0142T4DB20C3 | Yes                | E <sup>5</sup>     | 26.6 x 13.2 x 14.1                  | 143                                | <b>\$14,989</b> | V1G (V1)             |  |
|               | 150   | 180                     | 100                   | 142                     | CFW700E0180T4DB20C3 | Yes                | E <sup>5</sup>     | 26.6 x 13.2 x 14.1                  | 143                                | <b>\$20,989</b> | V1G (V1)             |  |
|               | 175   | 211                     | 150                   | 180                     | CFW700E0211T4DB20C3 | Yes                | E <sup>5</sup>     | 26.6 x 13.2 x 14.1                  | 143                                | <b>\$25,989</b> | V1G (V1)             |  |
|               | <b>Input Power Supply: Three-Phase 380-480 Vac without Dynamic Braking Transistor</b> |                         |                       |                         |                     |                    |                    |                                     |                                    |                 |                      |  |
|               | 75  | 105                     | 75                    | 88                      | CFW700E0105T4NB20C3 | No                 | E <sup>5</sup>     | 26.6 x 13.2 x 14.1                  | 143                                | <b>\$9,999</b>  | V1G (V1)             |  |
| 100/125       | 142   | 75                      | 115                   | CFW700E0142T4NB20C3     | No                  | E <sup>5</sup>     | 26.6 x 13.2 x 14.1 | 143                                 | <b>\$12,000</b>                    | V1G (V1)        |                      |  |
| 150           | 180   | 100                     | 142                   | CFW700E0180T4NB20C3     | No                  | E <sup>5</sup>     | 26.6 x 13.2 x 14.1 | 143                                 | <b>\$15,400</b>                    | V1G (V1)        |                      |  |
| 175           | 211   | 150                     | 180                   | CFW700E0211T4NB20C3     | No                  | E <sup>5</sup>     | 26.6 x 13.2 x 14.1 | 143                                 | <b>\$18,787</b>                    | V1G (V1)        |                      |  |

Notes:  
 1) CT = Constant Torque, 150% overload / 60 sec.; VT = Variable Torque (Quadratic Load), 110% overload / 60 sec.  
 2) "HP" rating based on "average FLA values". Use as a guide only.  
 3) Motor FLA may vary with speed and manufacturer. ALWAYS compare motor FLA to Nominal AMPS of drive.  
 4) All 575V drives are non-stocked items. Consult WEG for availability.  
 5) Maximum 45°C ambient temperature without derating  
 6) Dimensions and weights are provided for estimating purposes only.  
 For other technical data please refer to WEG product manual.

### IP20 Enclosure (Use NEMA1 kit, part # KN1x-01/02, to convert IP20 rated CFW700 to UL TYPE 1 / NEMA1)

| Motor Voltage        | ND / VT <sup>1</sup>  |                         | HD / CT <sup>1</sup>  |                         | Catalog Number      | Braking Transistor | Frame Size         | Dimensions (in.) HxWxD <sup>6</sup> | Approx. Weight (lbs.) <sup>6</sup> | List Price      | Multiplier New (Old) |
|----------------------|---|-------------------------|-----------------------|-------------------------|---------------------|--------------------|--------------------|-------------------------------------|------------------------------------|-----------------|----------------------|
|                      | Motor HP <sup>2</sup>   | Drive Amps <sup>3</sup> | Motor HP <sup>2</sup> | Drive Amps <sup>3</sup> |                     |                    |                    |                                     |                                    |                 |                      |
| 575 Vac <sup>4</sup> | <b>Input Power Supply: Three-Phase 500-600 Vac with Dynamic Braking Transistor</b>    |                         |                       |                         |                     |                    |                    |                                     |                                    |                 |                      |
|                      | 2   | 2.9                     | 2                     | 2.7                     | CFW700B02P9T5DB20   | Yes                | B                  | 13.9 x 7.5 x 9.0                    | 24.1                               | <b>\$1,689</b>  | V1G (V1)             |
|                      | 3   | 4.2                     | 3                     | 3.8                     | CFW700B04P2T5DB20   | Yes                | B                  | 13.9 x 7.5 x 9.0                    | 24.1                               | <b>\$1,759</b>  | V1G (V1)             |
|                      | 7 1/2   | 7.0                     | 5                     | 6.5                     | CFW700B07P0T5DB20   | Yes                | B                  | 13.9 x 7.5 x 9.0                    | 24.1                               | <b>\$1,874</b>  | V1G (V1)             |
|                      | 10  | 10                      | 7 1/2                 | 9.0                     | CFW700B10P0T5DB20   | Yes                | B                  | 13.9 x 7.5 x 9.0                    | 24.1                               | <b>\$2,048</b>  | V1G (V1)             |
|                      | 10  | 12                      | 10                    | 10                      | CFW700B12P0T5DB20   | Yes                | B                  | 13.9 x 7.5 x 9.0                    | 24.1                               | <b>\$2,171</b>  | V1G (V1)             |
|                      | 15  | 17                      | 15                    | 17                      | CFW700B17P0T5DB20   | Yes                | B                  | 13.9 x 7.5 x 9.0                    | 24.1                               | <b>\$2,552</b>  | V1G (V1)             |
|                      | 20  | 22                      | 20                    | 19                      | CFW700C22P0T5DB20   | Yes                | C                  | 19.9 x 11.9 x 12.0                  | 120.2                              | <b>\$4,235</b>  | V1G (V1)             |
|                      | 25  | 27                      | 20                    | 22                      | CFW700C27P0T5DB20   | Yes                | C                  | 19.9 x 11.9 x 12.0                  | 120.2                              | <b>\$4,506</b>  | V1G (V1)             |
|                      | 30  | 32                      | 25                    | 27                      | CFW700C32P0T5DB20   | Yes                | C                  | 19.9 x 11.9 x 12.0                  | 120.2                              | <b>\$6,486</b>  | V1G (V1)             |
|                      | 40  | 44                      | 30                    | 36                      | CFW700C44P0T5DB20   | Yes                | C                  | 19.9 x 11.9 x 12.0                  | 120.2                              | <b>\$7,309</b>  | V1G (V1)             |
|                      | 50  | 53                      | 40                    | 44                      | CFW700E53P0T5DB20C3 | Yes                | E <sup>5</sup>     | 26.6 x 13.2 x 14.1                  | 143                                | <b>\$9,118</b>  | V1G (V1)             |
|                      | 60  | 63                      | 50                    | 53                      | CFW700E63P0T5DB20C3 | Yes                | E <sup>5</sup>     | 26.6 x 13.2 x 14.1                  | 143                                | <b>\$11,580</b> | V1G (V1)             |
|                      | 75  | 80                      | 75                    | 66                      | CFW700E80P0T5DB20C3 | Yes                | E <sup>5</sup>     | 26.6 x 13.2 x 14.1                  | 143                                | <b>\$12,091</b> | V1G (V1)             |
|                      | 100   | 107                     | 100                   | 90                      | CFW700E107T5DB20C3  | Yes                | E <sup>5</sup>     | 26.6 x 13.2 x 14.1                  | 143                                | <b>\$16,240</b> | V1G (V1)             |
|                      | 125   | 125                     | 100                   | 107                     | CFW700E125T5DB20C3  | Yes                | E <sup>5</sup>     | 26.6 x 13.2 x 14.1                  | 143                                | <b>\$16,910</b> | V1G (V1)             |
|                      | 150   | 150                     | 125                   | 122                     | CFW700E150T5DB20C3  | Yes                | E <sup>5</sup>     | 26.6 x 13.2 x 14.1                  | 143                                | <b>\$23,456</b> | V1G (V1)             |
|                      | <b>Input Power Supply: Three-Phase 500-600 Vac without Dynamic Braking Transistor</b> |                         |                       |                         |                     |                    |                    |                                     |                                    |                 |                      |
|                      | 20  | 22                      | 20                    | 19                      | CFW700D22P0T5NBN1   | No                 | D                  | 26.6 x 13.2 x 14.1                  | 120.2                              | <b>\$3,921</b>  | V1G (V1)             |
|                      | 25  | 27                      | 20                    | 22                      | CFW700D27P0T5NBN1   | No                 | D                  | 26.6 x 13.2 x 14.1                  | 120.2                              | <b>\$4,450</b>  | V1G (V1)             |
| 30                   | 32  | 25                      | 27                    | CFW700D32P0T5NBN1       | No                  | D                  | 26.6 x 13.2 x 14.1 | 120.2                               | <b>\$5,763</b>                     | V1G (V1)        |                      |
| 40                   | 44  | 30                      | 36                    | CFW700D44P0T5NBN1       | No                  | D                  | 26.6 x 13.2 x 14.1 | 120.2                               | <b>\$6,768</b>                     | V1G (V1)        |                      |
| 50                   | 53  | 40                      | 44                    | CFW700E53P0T5NB20C3     | No                  | E <sup>5</sup>     | 26.6 x 13.2 x 14.1 | 143                                 | <b>\$8,446</b>                     | V1G (V1)        |                      |
| 60                   | 63  | 50                      | 53                    | CFW700E63P0T5NB20C3     | No                  | E <sup>5</sup>     | 26.6 x 13.2 x 14.1 | 143                                 | <b>\$10,728</b>                    | V1G (V1)        |                      |
| 75                   | 80  | 75                      | 66                    | CFW700E80P0T5NB20C3     | No                  | E <sup>5</sup>     | 26.6 x 13.2 x 14.1 | 143                                 | <b>\$11,200</b>                    | V1G (V1)        |                      |
| 100                  | 107   | 100                     | 90                    | CFW700E107T5NB20C3      | No                  | E <sup>5</sup>     | 26.6 x 13.2 x 14.1 | 143                                 | <b>\$15,042</b>                    | V1G (V1)        |                      |
| 125                  | 125   | 100                     | 107                   | CFW700E125T5NB20C3      | No                  | E <sup>5</sup>     | 26.6 x 13.2 x 14.1 | 143                                 | <b>\$15,662</b>                    | V1G (V1)        |                      |
| 150                  | 150   | 125                     | 122                   | CFW700E150T5NB20C3      | No                  | E <sup>5</sup>     | 26.6 x 13.2 x 14.1 | 143                                 | <b>\$21,723</b>                    | V1G (V1)        |                      |

Notes:

- 1) CT = Constant Torque, 150% overload / 60 sec.; VT = Variable Torque (Quadratic Load), 110% overload / 60 sec.
  - 2) "HP" rating based on "average FLA values". Use as a guide only.
  - 3) Motor FLA may vary with speed and manufacturer. ALWAYS compare motor FLA to Nominal AMPS of drive.
  - 4) All 575V drives are non-stocked items. Consult WEG for availability.
  - 5) Maximum 45°C ambient temperature without derating
  - 6) Dimensions and weights are provided for estimating purposes only.
- For other technical data please refer to WEG product manual.

## CFW700

### Options and Accessories

| Type                   | Catalog Number         | Description   | List Price   | Multiplier New (Old) |
|------------------------|------------------------|---|--------------|----------------------|
| Communication          | <b>CAN-01</b>          | CAN interface module (CANopen/DeviceNet) (CFW11 & CFW700)   | <b>\$410</b> | V1G (V1)             |
|                        | <b>PROFIBUS DP-01</b>  | Profibus DP-V1 interface module (CFW11 & CFW700)  | <b>\$520</b> | V1G (V1)             |
| I/O                    | <b>CCK-01</b>          | Relay Output Module for CFW700 and CFW701, 2 Form C Relay Outputs   | <b>\$105</b> | GA (V1)              |
| Flash Memory           | <b>MMF-02</b>          | Flash Memory Module for CFW700 and CFW701   | <b>\$71</b>  | GA (V1)              |
| Keypad and Accessories | <b>HMI-02</b>          | CFW700 Standard Keypad with USB   | <b>\$320</b> | V1G (V1)             |
|                        | <b>RHMIF-02</b>        | CFW700 Remote Keypad Frame Kit  | <b>\$69</b>  | V1G (V1)             |
|                        | <b>HMID-01</b>         | Blank Keypad Cover for Keypad Slot (CFW11, CFW700 & CFW701)   | <b>\$54</b>  | GA (V1)              |
| Remote Keypad Cable    | <b>IHM-CAB-RS-1M</b>   | 3.3 ft (1 meter) Remote Keypad Cable(CFW11, CFW700 & CFW701)  | <b>\$54</b>  | GA (V1)              |
|                        | <b>IHM-CAB-RS-2M</b>   | 6.6 ft (2 meter) Remote Keypad Cable(CFW11, CFW700 & CFW701)  | <b>\$60</b>  | GA (V1)              |
|                        | <b>IHM-CAB-RS-3M</b>   | 9.9 ft (3 meter) Remote Keypad Cable (CFW11, CFW700 & CFW701)   | <b>\$66</b>  | GA (V1)              |
|                        | <b>IHM-CAB-RS-5M</b>   | 16 ft (5 meter) Remote Keypad Cable (CFW11, CFW700 & CFW701)  | <b>\$75</b>  | GA (V1)              |
|                        | <b>IHM-CAB-RS-7.5M</b> | 25 ft (7.5 meter) Remote Keypad Cable(CFW11, CFW700 & CFW701)   | <b>\$90</b>  | GA (V1)              |
|                        | <b>IHM-CAB-RS-10M</b>  | 33 ft (10 meter) Remote Keypad Cable (CFW11, CFW700 & CFW701)   | <b>\$102</b> | GA (V1)              |
| Remote Oper. Station   | <b>CSW-SP3PBS</b>      | Remote Operator Station-includes 22mm Start PB, Stop PB, 1-NC and 1-NO contact block, 5k-ohm Potentiometer and legends (replaces CFW-REM) | <b>\$460</b> | Z5                   |
|                        | <b>CSW30-SP3PBS</b>    | Remote Operator Station-includes 30mm Start PB, Stop PB, 1-NC and 1-NO contact block, 5k-ohm Potentiometer and legends (replaces CFW-REM) | <b>\$535</b> | Z55 (Z5)             |
| NEMA1 Kits.            | <b>KN1A-02</b>         | NEMA1 - Conduit Kit for frame size A with power cables shielding  | <b>\$125</b> | GA (V1)              |
|                        | <b>KN1B-02</b>         | NEMA1 - Conduit Kit for frame size B with power cables shielding  | <b>\$125</b> | GA (V1)              |
|                        | <b>KN1C-02</b>         | NEMA1 - Conduit Kit for frame size C with power cables shielding  | <b>\$142</b> | GA (V1)              |
|                        | <b>KN1E-01</b>         | NEMA1 - Top cover kit for frame size E (105 & 142A)   | <b>\$78</b>  | GA (V1)              |
|                        | <b>KN1E-02</b>         | NEMA1 - Top cover kit plus Conduit kit for frame size E (180 & 211A)  | <b>\$213</b> | GA (V1)              |
|                        | <b>KIP21D-01</b>       | IP21 Kit for Frame size D (top cover) (CFW11 & CFW700)  | <b>\$120</b> | GA (V1)              |
| Cable Shield Kit       | <b>PCSA-01</b>         | Power Cables Shielding Kit for frame size A (CFW11 & CFW700)  | <b>\$48</b>  | GA (V1)              |
|                        | <b>PCSB-01</b>         | Power Cables Shielding Kit for frame size B (CFW11 & CFW700)  | <b>\$51</b>  | GA (V1)              |
|                        | <b>PCSC-01</b>         | Power Cables Shielding Kit for frame size C (CFW11 & CFW700)  | <b>\$54</b>  | GA (V1)              |
|                        | <b>PCSD-01</b>         | Power Cables Shielding Kit for frame size D (CFW11 & CFW700)  | <b>\$56</b>  | GA (V1)              |
|                        | <b>PCSE-01</b>         | Power Cables Shielding Kit for frame size E (CFW11 & CFW700)  | <b>\$76</b>  | GA (V1)              |



### Technical Data

|  |   |  |                        |
|--|---|--|------------------------|
| <b>Power Supply</b>                    | Voltage   | Single Phase or Three Phase  | 200-240V (+10%, -15%)  |
|  |   | Three phase  | 380-480V (+10%, -15%)  |
|  | Frequency   | 50 / 60Hz +/- 2Hz  |                        |
|  | Displacement Power Factor (Cos)   | Greater than 0.98  |                        |
| <b>Enclosure</b>                       | Degree of Protection  | IP20   |                        |
| <b>Control</b>                         | Control Modes   | Volts per Hertz (Scalar)   | Voltage Vector (VVW)   |
|  |   | Sensorless Vector  | Vector with encoder    |
|  | Power Output  | Sinusoidal PWM (Space Vector Modulation)   |                        |
|  |   | IGBT Transistors   |                        |
|  | Switching Frequency   | 1.25, 2.0, 2.5, 5.0 or 10.0 kHz  |                        |
|  | Frequency Range   | 0-300 Hz in Scalar Mode; 120 Hz in Vector Mode   |                        |
| Overload Capacity                      | CT = Constant Torque, 150% overload / 60 sec.<br>VT = Variable Torque (Quadratic Load), 110% overload / 60 sec.   |  |                        |
| <b>Control Inputs</b>                  | 8 programmable isolated digital inputs, 24Vdc logic   |  |                        |
|  | 2 isolated programmable differential analog inputs 11 bit; programmable for current or voltage (0-10V, 4-20mA or 0-20mA)  |  |                        |
|  | Motor thermistor - PTC/PT100/KTY84  |  |                        |
|  | Incremental encoder input - 5 to 12V  |  |                        |
| <b>Control Outputs</b>                 | 1 programmable relay output; NO/NC (Form C); 240Vac, 30Vdc / 0.75 A   |  |                        |
|  | 4 programmable isolated open collector digital outputs; 24Vdc, 80mA max.  |  |                        |
|  | 2 non-isolated programmable analog outputs 10 bit; programmable for current or voltage (0-10V, 4-20mA or 0-20mA)  |  |                        |
| <b>Communication</b>                   | Serial  | Optional RS-232 serial interface, RS-485 with external RS-232/485 converter  |                        |
|  | Field Bus   | Isolated RS-485 / Modbus RTU (standard)  |                        |
|  |   | CAN interface module (CANopen/DeviceNet)<br>Profibus DP interface module   |                        |
| <b>Safety</b>                          | Protections   | Motor over current   | DC link over voltage   |
|  |   | Motor overload   | DC link under voltage  |
|  |   | Output phase-to-phase short circuit  | Drive over temperature |
|  |   | Output phase-to-ground short circuit   | External fault         |
|  |   | Programming error  |                        |
| <b>Ambient</b>                         | Temperature   | 14 - 122°F (50°C), up to 140°F (60°C) with 2% / 1.8°F (1°C) output current derating                                |                        |
|  | Humidity  | 5-95% Non Condensing   |                        |
|  | Altitude  | 0-3300 ft (1000m), up to 13,200 ft (4000m) with 1% output current derating per 330ft (100m) above 3300 ft (1000m). |                        |
| <b>Regulatory / Safety Conformance</b> | IEC 60146   | Semiconductor converters   |                        |
|  | UL 508 C  | Power Conversion Equipment   |                        |
|  | UL 840  | Insulation coordination including clearances and creepage distances for electrical equipment.                      |                        |
|  | UL 94   | Plenum Rated - Meets UL94 Standard for Tests for Flammability  |                        |
|  | EN 50178  | Electronic equipment for use in power installations  |                        |
|  | EN 61800-2  | General requirements adjustable speed electrical power drive systems   |                        |
|  | EN 61800-3  | EMC product standard including specific test methods adjustable speed electrical power drive systems               |                        |
|  | EN 61800-5-1  | Safety requirements adjustable speed electrical power drive systems  |                        |
|  | EN 60204-1  | Safety of machinery. Electrical equipment of machines. Part 1: General requirements.                               |                        |
|  | RoHS and WEEE Guidelines  |  |                        |
| <b>Approvals</b>                       | UL, cUL, CE, C-Tick, GOST, IRAM   |  |                        |
| <b>Special Functions</b>               | Linear and "S" ramp accel and decel, local/remote control, FWD/REV selection, DC braking, manual and auto torque boost, motor slip compensation, electronic pot, two skip frequencies, max. and min. adjustable frequency limits, adjustable output current, PID Controller |  |                        |
| <b>Keypad</b>                          | Backlit LCD display with 9 operator keys, remote mounting option available  |  |                        |
|  | Readouts for: output frequency (Hz), output current (A), output voltage (V), motor torque (%) in vector mode, DC bus voltage (V), value proportional to frequency (Ex.: RPM), heatsink temperature, fault and status messages   |  |                        |

INDEX  
 WARRANTY INFO  
 CFW100 G2  
 CFW300  
 CFW500 G2  
 CFW500 G1  
 CFW700  
 CFW11  
 CFW11M  
 PUMP GENIUS  
 CFW501  
 CFW701  
 SSW05  
 SSW07  
 SSW900  
 SSW7000  
 EDP11  
 GPH2  
 APS9  
 MFM

# Variable Frequency Drives



CFW700

NON-STOCK (call for lead time)

100% Braking Torque at 20% Duty Cycle (12 Seconds Max. Braking Time)  
 NEMA 1 Enclosure

| Motor Voltage | Motor HP <sup>1</sup> | CFW11 Catalog Number | Braking Resistor Catalog Number <sup>2</sup> | Rated Ohms           | Rated Watts  | Dimensions (in.) HxWxD <sup>3</sup> | List Price      | Multiplier New (Old) |         |
|---------------|-----------------------|----------------------|--|----------------------|--------------|-------------------------------------|-----------------|----------------------|---------|
| 230 Vac       | 1 1/2                 | CFW700A06P0B2DB20    | <b>CFDB2-125-224</b>                         | 125                  | 224          | 5 x 12 x 5                          | <b>\$525</b>    | GA (V1)              |         |
|               | 2                     | CFW700A07P0B2DB20    | <b>CFDB2-95-298</b>                          | 95                   | 298          | 5 x 12 x 7                          | <b>\$825</b>    | GA (V1)              |         |
|               | 2                     | CFW700A07P0T2DB20    | <b>CFDB2-95-298</b>                          | 95                   | 298          | 5 x 12 x 7                          | <b>\$825</b>    | GA (V1)              |         |
|               | 3                     | CFW700A10P0S2DB20    | <b>CFDB2-63-448</b>                          | 63                   | 448          | 5 x 12 x 7                          | <b>\$825</b>    | GA (V1)              |         |
|               | 3                     | CFW700A10P0T2DB20    | <b>CFDB2-63-448</b>                          | 63                   | 448          | 5 x 12 x 7                          | <b>\$825</b>    | GA (V1)              |         |
|               | 5                     | CFW700A13P0T2DB20    | <b>CFDB2-38-746</b>                          | 38                   | 746          | 5 x 12 x 10                         | <b>\$1,025</b>  | GA (V1)              |         |
|               | 5                     | CFW700A16P0T2DB20    | <b>CFDB2-38-746</b>                          | 38                   | 746          | 5 x 12 x 10                         | <b>\$1,025</b>  | GA (V1)              |         |
|               | 7 1/2                 | CFW700B24P0T2DB20    | <b>CFDB2-26-1119</b>                         | 26                   | 1,119        | 5 x 12 x 13                         | <b>\$1,225</b>  | GA (V1)              |         |
|               | 10                    | CFW700B28P0T2DB20    | <b>CFDB2-19-1492</b>                         | 19                   | 1,492        | 5 x 12 x 16                         | <b>\$1,430</b>  | GA (V1)              |         |
|               | 10                    | CFW700B33P5T2DB20    | <b>CFDB2-19-1492</b>                         | 19                   | 1,492        | 5 x 12 x 16                         | <b>\$1,430</b>  | GA (V1)              |         |
|               | 15                    | CFW700C45P0T2DB20    | <b>CFDB2-13-2238</b>                         | 12.6                 | 2,238        | 5 x 19 x 10                         | <b>\$1,775</b>  | GA (V1)              |         |
|               | 20                    | CFW700C54P0T2DB20    | <b>CFDB2-10-2984</b>                         | 9.6                  | 2,984        | 5 x 19 x 10                         | <b>\$1,775</b>  | GA (V1)              |         |
|               | 25                    | CFW700C70P0T2DB20    | <b>CFDB2-8-3730</b>                          | 7.5                  | 3,730        | 5 x 19 x 13                         | <b>\$2,150</b>  | GA (V1)              |         |
|               | 30                    | CFW700D86P0T2DBN1    | <b>CFDB2-7-4476</b>                          | 6.3                  | 4,476        | 5 x 26.5 x 13                       | <b>\$2,780</b>  | GA (V1)              |         |
|               | 40                    | CFW700D0105T2DBN1    | <b>CFDB2-5-5968</b>                          | 4.9                  | 5,968        | 5 x 26.5 x 16                       | <b>\$3,510</b>  | GA (V1)              |         |
|               | 50                    | CFW700E142T2DB20C3   | <b>CFDB2-4-7460</b>                          | 3.9                  | 7,460        | 10 x 28 x 10                        | <b>\$4,095</b>  | GA (V1)              |         |
|               | 460 Vac               | 60                   | CFW700E180T2DB20C3                           | <b>CFDB2-4-8952</b>  | 3.3          | 8,952                               | 10 x 28 x 10    | <b>\$4,095</b>       | GA (V1) |
|               |                       | 75                   | CFW700E211T2DB20C3                           | <b>CFDB2-3-11190</b> | 2.7          | 11,190                              | 10 x 28 x 13    | <b>\$6,010</b>       | GA (V1) |
| 2             |                       | CFW700A03P6T4DB20    | <b>CFDB2-375-298</b>                         | 375                  | 298          | 5 x 12 x 7                          | <b>\$825</b>    | GA (V1)              |         |
| 3             |                       | CFW700A05P0T4DB20    | <b>CFDB2-250-448</b>                         | 250                  | 448          | 5 x 12 x 7                          | <b>\$825</b>    | GA (V1)              |         |
| 5             |                       | CFW700A07P0T4DB20    | <b>CFDB2-150-746</b>                         | 150                  | 746          | 5 x 12 x 10                         | <b>\$1,025</b>  | GA (V1)              |         |
| 7 1/2         |                       | CFW700A10P0T4DB20    | <b>CFDB2-100-1119</b>                        | 100                  | 1,119        | 5 x 12 x 13                         | <b>\$1,225</b>  | GA (V1)              |         |
| 10            |                       | CFW700A13P5T4DB20    | <b>CFDB2-75-1492</b>                         | 75                   | 1,492        | 5 x 12 x 16                         | <b>\$1,430</b>  | GA (V1)              |         |
| 10            |                       | CFW700B17P0T4DB20    | <b>CFDB2-75-1492</b>                         | 75                   | 1,492        | 5 x 12 x 16                         | <b>\$1,430</b>  | GA (V1)              |         |
| 15            |                       | CFW700B24P0T4DB20    | <b>CFDB2-50-2238</b>                         | 50                   | 2,238        | 5 x 19 x 13                         | <b>\$1,965</b>  | GA (V1)              |         |
| 20            |                       | CFW700B31P0T4DB20    | <b>CFDB2-38-2984</b>                         | 38                   | 2,984        | 5 x 19 x 16                         | <b>\$2,365</b>  | GA (V1)              |         |
| 25            |                       | CFW700C38P0T4DB20    | <b>CFDB2-30-3730</b>                         | 30                   | 3,730        | 5 x 26.5 x 13                       | <b>\$2,700</b>  | GA (V1)              |         |
| 30            |                       | CFW700C45P0T4DB20    | <b>CFDB2-25-4476</b>                         | 25                   | 4,476        | 5 x 26.5 x 13                       | <b>\$2,700</b>  | GA (V1)              |         |
| 40            |                       | CFW700C58P5T4DB20    | <b>CFDB2-19-5968</b>                         | 19                   | 5,968        | 5 x 26.5 x 16                       | <b>\$3,155</b>  | GA (V1)              |         |
| 50/60         |                       | CFW700D70P5T4DBN1    | <b>CFDB2-15-8952</b>                         | 15                   | 8,952        | 10 x 28 x 13                        | <b>\$4,635</b>  | GA (V1)              |         |
| 60/75         |                       | CFW700D88P0T4DBN1    | <b>CFDB2-10-11190</b>                        | 10                   | 11,190       | 10 x 28 x 16                        | <b>\$6,050</b>  | GA (V1)              |         |
| 75            |                       | CFW700E105T4DB20C3   | <b>CFDB2-10-11190</b>                        | 10                   | 11,190       | 10 x 28 x 16                        | <b>\$6,050</b>  | GA (V1)              |         |
| 100/125       |                       | CFW700E142T4DB20C3   | <b>CFDB2-6-18650</b>                         | 6                    | 18,650       | 24 x 30 x 18                        | <b>\$10,210</b> | GA (V1)              |         |
| 150           |                       | CFW700E180T4DB20C3   | <b>CFDB2-5-22380</b>                         | 5                    | 22,380       | 24 x 30 x 18                        | <b>\$12,655</b> | GA (V1)              |         |
| 175           | CFW700E211T4DB20C3    | <b>CFDB2-5-29840</b> | 5  | 29,840               | 24 x 30 x 18 | <b>\$12,655</b>                     | GA (V1)         |                      |         |

Notes:  
 1) "HP" rating based on "average FLA values". Use as a guide only.  
 2) Dynamic Braking Resistors are non-stock items. Consult WEG for availability.  
 3) Dimensions are provided for estimating purposes only.



NON-STOCK (call for lead time)

### 100% Braking Torque at 50% Duty Cycle (30 Seconds Max. Braking Time) NEMA 1 Enclosure

| Motor Voltage | Motor HP <sup>1</sup> | CFW700 Catalog Number | Braking Resistor Catalog Number <sup>2</sup> | Rated Ohms | Rated Watts  | Dimensions (in.) HxWxD <sup>3</sup> | List Price      | Multiplier New (Old) |
|---------------|-----------------------|-----------------------|--|------------|--------------|-------------------------------------|-----------------|----------------------|
| 230 Vac       | 1 1/2                 | CFW700A06P0B2DB20     | <b>CFDB5-125-560</b>                         | 125        | 560          | 5 x 12 x 10                         | <b>\$1,025</b>  | GA (V1)              |
|               | 2                     | CFW700A07P0B2DB20     | <b>CFDB5-95-746</b>                          | 95         | 746          | 5 x 12 x 10                         | <b>\$1,025</b>  | GA (V1)              |
|               | 2                     | CFW700A7P0T2DB20      | <b>CFDB5-95-746</b>                          | 95         | 746          | 5 x 12 x 10                         | <b>\$1,025</b>  | GA (V1)              |
|               | 3                     | CFW700A10P0S2DB20     | <b>CFDB5-63-1119</b>                         | 63         | 1,119        | 5 x 12 x 10                         | <b>\$1,225</b>  | GA (V1)              |
|               | 3                     | CFW700A10P0T2DB20     | <b>CFDB5-63-1119</b>                         | 63         | 1,119        | 5 x 12 x 10                         | <b>\$1,225</b>  | GA (V1)              |
|               | 5                     | CFW700A13P0T2DB20     | <b>CFDB5-38-1865</b>                         | 38         | 1,865        | 5 x 19 x 13                         | <b>\$1,965</b>  | GA (V1)              |
|               | 5                     | CFW700A16P0T2DB20     | <b>CFDB5-38-1865</b>                         | 38         | 1,865        | 5 x 19 x 13                         | <b>\$1,965</b>  | GA (V1)              |
|               | 7 1/2                 | CFW700B24P0T2DB20     | <b>CFDB5-26-2798</b>                         | 26         | 2,798        | 5 x 26.5 x 13                       | <b>\$2,700</b>  | GA (V1)              |
|               | 10                    | CFW700B28P0T2DB20     | <b>CFDB5-19-3730</b>                         | 19         | 3,730        | 5 x 26.5 x 13                       | <b>\$2,700</b>  | GA (V1)              |
|               | 10                    | CFW700B33P5T2DB20     | <b>CFDB5-19-3730</b>                         | 19         | 3,730        | 5 x 26.5 x 13                       | <b>\$2,700</b>  | GA (V1)              |
|               | 15                    | CFW700C45P0T2DB20     | <b>CFDB5-13-5595</b>                         | 12.6       | 5,595        | 5 x 26.5 x 16                       | <b>\$3,155</b>  | GA (V1)              |
|               | 20                    | CFW700C54P0T2DB20     | <b>CFDB5-10-7460</b>                         | 9.6        | 7,460        | 10 x 28 x 13                        | <b>\$4,990</b>  | GA (V1)              |
|               | 25                    | CFW700C70P0T2DB20     | <b>CFDB5-8-9325</b>                          | 7.5        | 9,325        | 10 x 28 x 13                        | <b>\$4,990</b>  | GA (V1)              |
|               | 30                    | CFW700D86P0T2DBN1     | <b>CFDB5-7-11190</b>                         | 6.3        | 11,190       | 10 x 28 x 16                        | <b>\$5,620</b>  | GA (V1)              |
|               | 40                    | CFW700D0105T2DBN1     | <b>CFDB5-5-14920</b>                         | 4.9        | 14,920       | 24 x 30 x 18                        | <b>\$7,225</b>  | GA (V1)              |
|               | 50                    | CFW700E142T2DB20C3    | <b>CFDB5-4-18650</b>                         | 3.9        | 18,650       | 24 x 30 x 18                        | <b>\$11,025</b> | GA (V1)              |
|               | 60                    | CFW700E180T2DB20C3    | <b>CFDB5-4-22380</b>                         | 3.3        | 22,380       | 24 x 30 x 18                        | <b>\$11,025</b> | GA (V1)              |
| 75            | CFW700E211T2DB20C3    | <b>CFDB5-3-27975</b>  | 2.7  | 27,975     | 32 x 30 x 18 | <b>\$16,420</b>                     | GA (V1)         |                      |
| 460 Vac       | 2                     | CFW700A03P6T4DB20     | <b>CFDB5-375-746</b>                         | 375        | 746          | 5 x 12 x 13                         | <b>\$1,225</b>  | GA (V1)              |
|               | 3                     | CFW700A05P0T4DB20     | <b>CFDB5-250-1119</b>                        | 250        | 1,119        | 5 x 12 x 16                         | <b>\$1,630</b>  | GA (V1)              |
|               | 5                     | CFW700A07P0T4DB20     | <b>CFDB5-150-1865</b>                        | 150        | 1,865        | 5 x 19 x 13                         | <b>\$1,840</b>  | GA (V1)              |
|               | 7 1/2                 | CFW700A10P0T4DB20     | <b>CFDB5-100-2798</b>                        | 100        | 2,798        | 5 x 19 x 16                         | <b>\$2,365</b>  | GA (V1)              |
|               | 10                    | CFW700A13P5T4DB20     | <b>CFDB5-75-3730</b>                         | 75         | 3,730        | 5 x 26.5 x 16                       | <b>\$3,155</b>  | GA (V1)              |
|               | 10                    | CFW700B17P0T4DB20     | <b>CFDB5-75-3730</b>                         | 75         | 3,730        | 5 x 26.5 x 16                       | <b>\$3,155</b>  | GA (V1)              |
|               | 15                    | CFW700B24P0T4DB20     | <b>CFDB5-50-5595</b>                         | 50         | 5,595        | 10 x 28 x 13                        | <b>\$4,555</b>  | GA (V1)              |
|               | 20                    | CFW700B31P0T4DB20     | <b>CFDB5-38-7460</b>                         | 38         | 7,460        | 10 x 28 x 13                        | <b>\$4,555</b>  | GA (V1)              |
|               | 25                    | CFW700C38P0T4DB20     | <b>CFDB5-30-9325</b>                         | 30         | 9,325        | 10 x 28 x 16                        | <b>\$5,050</b>  | GA (V1)              |
|               | 30                    | CFW700C45P0T4DB20     | <b>CFDB5-25-11190</b>                        | 25         | 11,190       | 10 x 28 x 16                        | <b>\$5,425</b>  | GA (V1)              |
|               | 40                    | CFW700C58P5T4DB20     | <b>CFDB5-19-14920</b>                        | 19         | 14,920       | 24 x 30 x 18                        | <b>\$9,460</b>  | GA (V1)              |
|               | 50/60                 | CFW700D70P5T4DBN1     | <b>CFDB5-15-22380</b>                        | 15         | 22,380       | 24 x 30 x 18                        | <b>\$10,865</b> | GA (V1)              |
|               | 75                    | CFW700D88P0T4DBN1     | <b>CFDB5-10-27975</b>                        | 10         | 27,975       | 32 x 30 x 18                        | <b>\$15,605</b> | GA (V1)              |
|               | 75                    | CFW700E105T4DB20C3    | <b>CFDB5-10-27975</b>                        | 10         | 27,975       | 32 x 30 x 18                        | <b>\$15,605</b> | GA (V1)              |
|               | 100/125               | CFW700E142T4DB20C3    | <b>CFDB5-8-46625</b>                         | 8          | 46,625       | 32 x 30 x 18                        | <b>\$20,600</b> | GA (V1)              |
|               | 150                   | CFW700E180T4DB20C3    | <b>CFDB5-5-55950</b>                         | 5          | 55,950       | 48 x 30 x 18                        | <b>\$20,070</b> | GA (V1)              |
|               | 175                   | CFW700E211T4DB20C3    | <b>CFDB5-5-74600</b>                         | 5          | 74,600       | 72 x 30 x 18                        | <b>\$33,780</b> | GA (V1)              |

Notes:

- 1) "HP" rating based on "average FLA values". Use as a guide only.
- 2) Dynamic Braking Resistors are non-stock items. Consult WEG for availability.
- 3) Dimensions are provided for estimating purposes only.

# Variable Frequency Drives



CFW700

NON-STOCK (call for lead time)

## 3% Z (Impedance) - NEMA 1 Enclosure

| Motor Voltage                                  | Motor HP  | Reactor Amps | Catalog Number   | Dimensions (in.) <sup>1</sup><br>HxWxD | Approx. Weight (lbs.) <sup>1</sup> | List Price | Multiplier<br>New (Old) |
|--|-----------|--------------|------------------|--|------------------------------------|------------|-------------------------|
| <b>Input Power Supply: Three-Phase 230 Vac</b> |           |              |                  |  |                                    |            |                         |
| 230 Vac  | 3         | 12           | LRW012D3N1       | 8 x 8 x 6                              | 16                                 | \$671      | GA (V1)                 |
|  | 5         | 18           | LRW018D3N1       | 8 x 8 x 6                              | 16                                 | \$790      | GA (V1)                 |
|  | 7 1/2     | 25           | LRW025D3N1       | 13 x 13.3 x 13.1                       | 42                                 | \$910      | GA (V1)                 |
|  | 10        | 35           | LRW035D3N1       | 13 x 13.3 x 13.1                       | 45                                 | \$972      | GA (V1)                 |
|  | 15        | 45           | LRW045D3N1       | 13 x 13.3 x 13.1                       | 54                                 | \$1,162    | GA (V1)                 |
|  | 20        | 55           | LRW055D3N1       | 13 x 13.3 x 13.1                       | 55                                 | \$1,371    | GA (V1)                 |
|  | 25 / 30   | 80           | LRW080D3N1       | 13 x 13.3 x 13.1                       | 74                                 | \$1,396    | GA (V1)                 |
|  | 40        | 100          | LRW100D3N1       | 13 x 13.3 x 13.1                       | 78                                 | \$1,671    | GA (V1)                 |
|  | 50        | 130          | LRW130D3N1       | 13 x 13.3 x 13.1                       | 60                                 | \$1,807    | GA (V1)                 |
|  | 60        | 160          | LRW160D3N1       | 13 x 13.3 x 13.1                       | 71                                 | \$2,192    | GA (V1)                 |
| 75   | 200       | LRW200D3N1   | 13 x 13.3 x 13.1 | 79                                     | \$2,286                            | GA (V1)    |                         |
| <b>Input Power Supply: Three-Phase 460 Vac</b> |           |              |                  |  |                                    |            |                         |
| 460 Vac  | 1 1/2     | 2            | LRW002G3N1       | 8 x 8 x 6                              | 11                                 | \$595      | GA (V1)                 |
|  | 2, 3      | 4            | LRW004G3N1       | 8 x 8 x 6                              | 11                                 | \$612      | GA (V1)                 |
|  | 5         | 8            | LRW008G3N1       | 8 x 8 x 6                              | 14                                 | \$656      | GA (V1)                 |
|  | 7 1/2     | 12           | LRW012G3N1       | 8 x 8 x 6                              | 16                                 | \$693      | GA (V1)                 |
|  | 10        | 18           | LRW018G3N1       | 8 x 8 x 6                              | 16                                 | \$803      | GA (V1)                 |
|  | 15        | 25           | LRW025G3N1       | 13 x 13.3 x 13.1                       | 42                                 | \$972      | GA (V1)                 |
|  | 20 / 25   | 35           | LRW035G3N1       | 13 x 13.3 x 13.1                       | 45                                 | \$1,007    | GA (V1)                 |
|  | 30        | 45           | LRW045G3N1       | 13 x 13.3 x 13.1                       | 54                                 | \$1,315    | GA (V1)                 |
|  | 40        | 55           | LRW055G3N1       | 13 x 13.3 x 13.1                       | 55                                 | \$1,460    | GA (V1)                 |
|  | 50 / 60   | 80           | LRW080G3N1       | 13 x 13.3 x 13.1                       | 60                                 | \$1,815    | GA (V1)                 |
|  | 75        | 100          | LRW100G3N1       | 13 x 13.3 x 13.1                       | 71                                 | \$1,797    | GA (V1)                 |
|  | 100       | 130          | LRW130G3N1       | 13 x 13.3 x 13.1                       | 74                                 | \$2,257    | GA (V1)                 |
|  | 125       | 160          | LRW160G3N1       | 13 x 13.3 x 13.1                       | 48                                 | \$3,064    | GA (V1)                 |
|  | 150       | 200          | LRW200G3N1       | 13 x 13.3 x 13.1                       | 79                                 | \$2,702    | GA (V1)                 |
|  | 200       | 250          | LRW250G3N1       | 24 x 18.4 x 16.8                       | 99                                 | \$4,592    | GA (V1)                 |
|  | 250       | 320          | LRW320G3N1       | 24 x 18.4 x 16.8                       | 155                                | \$4,967    | GA (V1)                 |
|  | 300       | 400          | LRW400G3N1       | 24 x 18.4 x 16.8                       | 155                                | \$7,548    | GA (V1)                 |
|  | 350 / 400 | 500          | LRW500G3N1       | 47 x 26.5 x 24.9                       | 165                                | \$10,294   | GA (V1)                 |
| 450 / 500                                      | 600       | LRW600G3N1   | 47 x 26.5 x 24.9 | 205                                    | \$11,145                           | GA (V1)    |                         |
| 750 / 800                                      | 1000      | LRW1000G3N1  | Consult Factory  |  | \$19,990                           | GA (V1)    |                         |

Notes:

1) Dimensions and weights are provided for estimating purposes only.

# CFW11

WEG's CFW11 uses state-of-the-art technology to control motors up to 1000HP. Aimed at increasing customers productivity, the CFW11 offers the following innovations:

## Standard Features

- Same programming as all other WEG VFD's
- Plug and play philosophy (connect and use) enables quick and easy installation of accessories and options.
- USB for microcomputer connection for using SUPERDRIVE programming and monitoring software as well as updating inverter firmware.
- Human-Machine Interface (HMI) with backlit graphic display and soft-keys, greatly facilitates inverter programming and operation.
- DC link inductors (symetrically connected to positive and negative DC link terminals) enable compliance with IEC61000-3-12 standard requirements regarding harmonics, (no need for external line reactance.)
- Intelligent thermal management enables full protection of IGBTs, monitoring of heatsink and internal air temperature.
- Conformal coated circuit boards.
- 50°C Ambient
- Automatic control of the heatsink fan with speed sensor (additional protection) and easily detachable from the unit for cleaning and maintenance.
- Normal Duty and Heavy Duty ratings to adapt optimally to all kinds of loads.
- Protection with failure and alarm warnings.
- Motor overload protection in compliance with IEC 60947-4-2 | UL 508 C.
- Memory card built into the standard product allows user to create functions without the need to use an external PLC (soft-PLC via IEC61131-3 programming software)
- Guided start-up simplifies initial user programming.
- Real time clock with time and date stamped fault log.
- TRACE / SCOPE function to assist with the start-up and system diagnostics.

## Optional Features

- Safety stop in compliance with EN 954 - 1/category III\*\*
- External control feed with 24 Vdc
- RFI filter in compliance with EN 61800-3 (internal)\*\*
- DB Resistors and line/load reactors available upon request

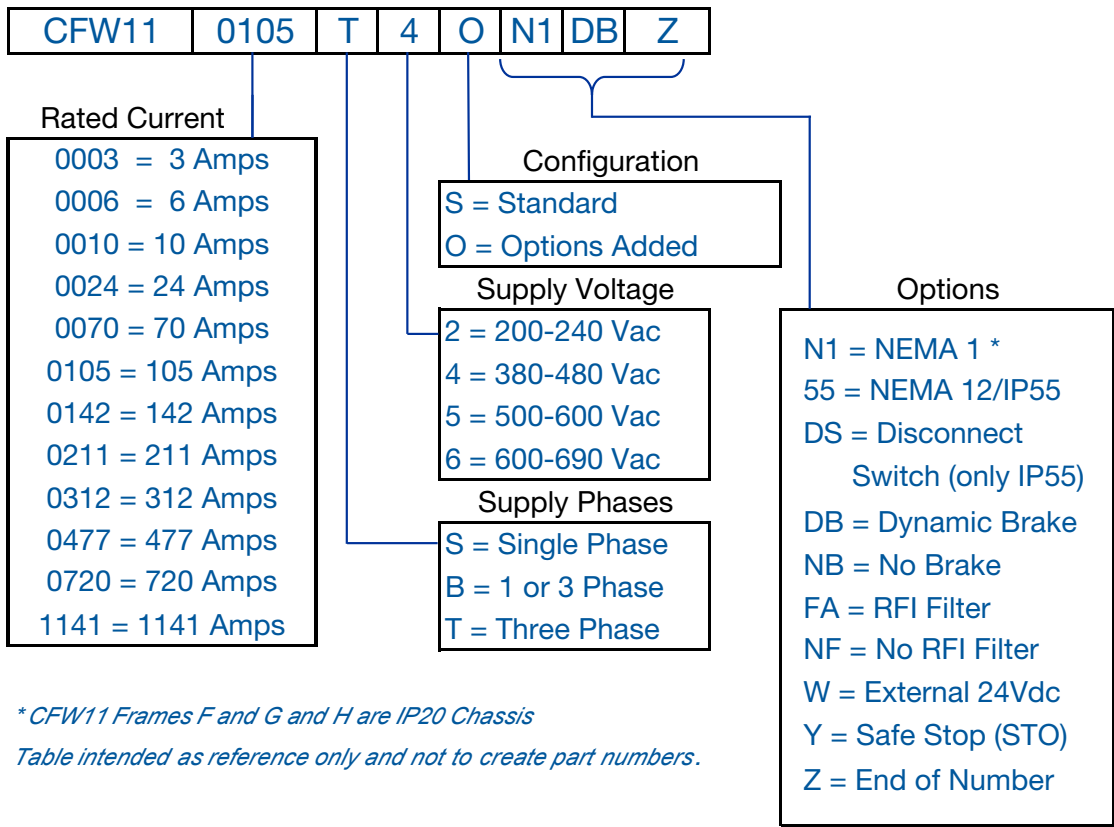
\*\*factory ordered



## Applications

- Pumps
- Fans/Blowers
- Conveyors
- Compressors
- Agitators and Mixers
- Extruders
- Grizzly Feeders
- Centrifuges
- Cranes and Hoists
- Rollout Tables
- Presses
- Saws

### CFW11 Catalog Number Sequence



CFW11 NEMA1 VFD



CFW11 NEMA12/IP55 VFD

## DRIVE RATINGS

### Normal Duty (ND) Cycle:

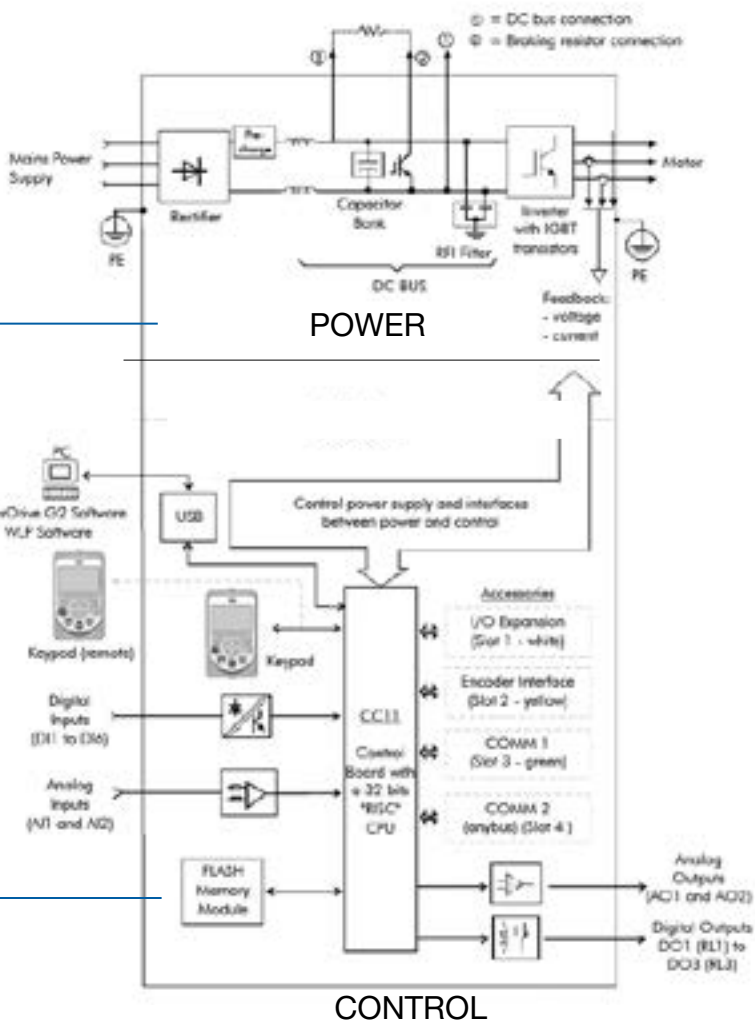
- 110% for 60 seconds every 10 minutes
- 150% for 3 seconds every 10 minutes

### Heavy Duty (HD) Cycle:

- 150% for 60 seconds every 10 minutes
- 200% for 3 seconds every 10 minutes

### Sizing the drive

The correct way to select a VFD is to match its output current with the motor rated current. However, the tables in this catalog also present the expected motor horsepower for each VFD model. Use the motor power ratings only as a guide. Motor rated currents may vary with speed and manufacturer. IEC motor powers are based on WEG 4-pole motors, NEMA motor powers are based on NEC table 430-150.



Notes:

1) Half controlled bridge rectifier for sizes F and G

2) Standard for sizes A to D;

3) Standard RFI filter for sizes E, F and G;

Please refer to the user manual for more information.

# Variable Frequency Drives



CFW11

## NEMA 1 Enclosure

| Motor Voltage   | ND / VT <sup>1</sup>   |                         | HD / CT <sup>1</sup>  |                          | Catalog Number           | Braking Transistor | Frame Size <sup>4,5</sup> | Dimensions (in.) HxWxD | Approx. Weight (lbs.) | List Price      | Multiplier New (Old) |  |
|---|--|-------------------------|-----------------------|--------------------------|--------------------------|--------------------|---------------------------|------------------------|-----------------------|-----------------|----------------------|--|
|   | Motor HP <sup>2</sup>  | Drive Amps <sup>3</sup> | Motor HP <sup>2</sup> | Drive Amps <sup>3</sup>  |                          |                    |                           |                        |                       |                 |                      |  |
| 230 Vac   | <b>Input Power Supply: Single or Three-Phase 200-240 Vac with Dynamic Braking Transistor</b> |                         |                       |                          |                          |                    |                           |                        |                       |                 |                      |  |
|   | 1 1/2  | 6.0                     | 1 1/2                 | 5.0                      | <b>CFW110006B20N1Z</b>   | Yes                | A                         | 12.1 x 5.8 x 9.0       | 13.9                  | <b>\$1,644</b>  | V1P (V1)             |  |
|   | 2  | 7.0                     | 2                     | 7.0                      | <b>CFW110007B20N1Z</b>   | Yes                | A                         | 12.1 x 5.8 x 9.0       | 13.9                  | <b>\$1,716</b>  | V1P (V1)             |  |
|   | <b>Input Power Supply: Single-Phase 200-240 Vac with Dynamic Braking Transistor</b>          |                         |                       |                          |                          |                    |                           |                        |                       |                 |                      |  |
|   | 3  | 10                      | 3                     | 10                       | <b>CFW110010S20N1Z</b>   | Yes                | A                         | 12.1 x 5.8 x 9.0       | 13.9                  | <b>\$1,812</b>  | V1P (V1)             |  |
|   | <b>Input Power Supply: Three-Phase 200-240 Vac with Dynamic Braking Transistor</b>           |                         |                       |                          |                          |                    |                           |                        |                       |                 |                      |  |
|   | 2  | 7.0                     | 1 1/2                 | 5.5                      | <b>CFW110007T20N1Z</b>   | Yes                | A                         | 12.1 x 5.8 x 9.0       | 13.9                  | <b>\$1,620</b>  | V1P (V1)             |  |
|   | 3  | 10                      | 2                     | 8.0                      | <b>CFW110010T20N1Z</b>   | Yes                | A                         | 12.1 x 5.8 x 9.0       | 13.9                  | <b>\$1,692</b>  | V1P (V1)             |  |
|   | 5  | 13                      | 3                     | 11                       | <b>CFW110013T20N1Z</b>   | Yes                | A                         | 12.1 x 5.8 x 9.0       | 13.9                  | <b>\$1,728</b>  | V1P (V1)             |  |
|   | 5  | 16                      | 5                     | 13                       | <b>CFW110016T20N1Z</b>   | Yes                | A                         | 12.1 x 5.8 x 9.0       | 13.9                  | <b>\$1,850</b>  | V1P (V1)             |  |
|   | 7 1/2  | 24                      | 7 1/2                 | 20                       | <b>CFW110024T20N1Z</b>   | Yes                | B                         | 13.9 x 7.5 x 9.0       | 23                    | <b>\$2,424</b>  | V1P (V1)             |  |
|   | 10   | 28                      | 10                    | 24                       | <b>CFW110028T20N1Z</b>   | Yes                | B                         | 13.9 x 7.5 x 9.0       | 23                    | <b>\$2,641</b>  | V1P (V1)             |  |
|   | 10   | 34                      | 10                    | 28                       | <b>CFW110033T20N1Z</b>   | Yes                | B                         | 13.9 x 7.5 x 9.0       | 23                    | <b>\$3,190</b>  | V1P (V1)             |  |
|   | 15   | 45                      | 15                    | 36                       | <b>CFW110045T20N1Z</b>   | Yes                | C                         | 17.7 x 8.7 x 11.5      | 46                    | <b>\$3,641</b>  | V1P (V1)             |  |
|   | 20   | 54                      | 20                    | 45                       | <b>CFW110054T20N1Z</b>   | Yes                | C                         | 17.7 x 8.7 x 11.5      | 46                    | <b>\$4,400</b>  | V1P (V1)             |  |
|   | 25   | 70                      | 20                    | 56                       | <b>CFW110070T20N1Z</b>   | Yes                | C                         | 17.7 x 8.7 x 11.5      | 46                    | <b>\$6,600</b>  | V1P (V1)             |  |
|   | 30   | 86                      | 25                    | 70                       | <b>CFW110086T20N1Z</b>   | Yes                | D                         | 19.9 x 11.9 x 12.0     | 125                   | <b>\$7,222</b>  | V1P (V1)             |  |
|   | 40   | 105                     | 30                    | 86                       | <b>CFW110105T20N1Z</b>   | Yes                | D                         | 19.9 x 11.9 x 12.0     | 125                   | <b>\$9,000</b>  | V1P (V1)             |  |
|   | 50   | 142                     | 40                    | 115                      | <b>CFW110142T20N1DBZ</b> | Yes                | E                         | 26.6 x 13.2 x 14.1     | 144                   | <b>\$12,720</b> | V1P (V1)             |  |
|   | 60   | 180                     | 50                    | 142                      | <b>CFW110180T20N1DBZ</b> | Yes                | E                         | 26.6 x 13.2 x 14.1     | 144                   | <b>\$17,555</b> | V1P (V1)             |  |
| 75  | 211  | 60                      | 180                   | <b>CFW110211T20N1DBZ</b> | Yes                      | E                  | 26.6 x 13.2 x 14.1        | 144                    | <b>\$24,380</b>       | V1P (V1)        |                      |  |
| <b>Input Power Supply: Three-Phase 200-240 Vac without Dynamic Braking Transistor</b> |  |                         |                       |                          |                          |                    |                           |                        |                       |                 |                      |  |
| 50  | 142  | 40                      | 115                   | <b>CFW110142T20N1Z</b>   | No                       | E                  | 26.6 x 13.2 x 14.1        | 144                    | <b>\$11,649</b>       | V1P (V1)        |                      |  |
| 60  | 180  | 50                      | 142                   | <b>CFW110180T20N1Z</b>   | No                       | E                  | 26.6 x 13.2 x 14.1        | 144                    | <b>\$15,125</b>       | V1P (V1)        |                      |  |
| 75  | 211  | 60                      | 180                   | <b>CFW110211T20N1Z</b>   | No                       | E                  | 26.6 x 13.2 x 14.1        | 144                    | <b>\$21,560</b>       | V1P (V1)        |                      |  |

- Notes:
- 1) CT = Constant Torque, 150% overload / 60 sec.; VT = Variable Torque (Quadratic Load), 110% overload / 60 sec.
  - 2) "HP" rating based on "average FLA values". Use as a guide only.
  - 3) Motor FLA may vary with speed and manufacturer. ALWAYS compare motor FLA to Nominal AMPS of drive.
  - 4) Frame A to D: Maximum 50°C ambient temperature without derating.  
Frame E: Maximum 45°C ambient temperature without derating.
  - 5) Frame A to E: Approx. 6% impedance Dual DC Bus chokes.





### NEMA 1 Enclosure

| Motor Voltage   | ND / VT <sup>1</sup>  |                         | HD / CT <sup>1</sup>  |                         | Catalog Number       | Braking Transistor | Frame Size <sup>4,5</sup> | Dimensions (in.) HxWxD | Approx. Weight (lbs.) | List Price | Multiplier New (Old) |
|---|-----------------------|-------------------------|-----------------------|-------------------------|----------------------|--------------------|---------------------------|------------------------|-----------------------|------------|----------------------|
|   | Motor HP <sup>2</sup> | Drive Amps <sup>3</sup> | Motor HP <sup>2</sup> | Drive Amps <sup>3</sup> |                      |                    |                           |                        |                       |            |                      |
| <b>Input Power Supply: Three-Phase 380-480 Vac with Dynamic Braking Transistor</b>    |                       |                         |                       |                         |                      |                    |                           |                        |                       |            |                      |
| 460 Vac   | 2                     | 3.6                     | 2                     | 3.6                     | CFW110003T40N1Z      | Yes                | A                         | 12.1 x 5.8 x 9.0       | 22                    | \$1,616    | V1P (V1)             |
|   | 3                     | 5.0                     | 3                     | 5.0                     | CFW110005T40N1Z      | Yes                | A                         | 12.1 x 5.8 x 9.0       | 22                    | \$1,650    |                      |
|   | 5                     | 7.0                     | 3                     | 5.5                     | CFW110007T40N1Z      | Yes                | A                         | 12.1 x 5.8 x 9.0       | 22                    | \$1,712    |                      |
|   | 7 1/2                 | 10                      | 5                     | 10                      | CFW110010T40N1Z      | Yes                | A                         | 12.1 x 5.8 x 9.0       | 22                    | \$1,969    |                      |
|   | 10                    | 13.5                    | 7 1/2                 | 11                      | CFW110013T40N1Z      | Yes                | A                         | 12.1 x 5.8 x 9.0       | 22                    | \$2,068    |                      |
|   | 10                    | 17                      | 10                    | 13.5                    | CFW110017T40N1Z      | Yes                | B                         | 13.9 x 7.5 x 9.0       | 23                    | \$2,530    |                      |
|   | 15                    | 24                      | 10                    | 19                      | CFW110024T40N1Z      | Yes                | B                         | 13.9 x 7.5 x 9.0       | 23                    | \$2,992    |                      |
|   | 20                    | 31                      | 15                    | 25                      | CFW110031T40N1Z      | Yes                | B                         | 13.9 x 7.5 x 9.0       | 23                    | \$3,873    |                      |
|   | 25                    | 38                      | 20                    | 33                      | CFW110038T40N1Z      | Yes                | C                         | 17.7 x 8.7 x 11.5      | 46                    | \$4,300    |                      |
|   | 30                    | 45                      | 25                    | 38                      | CFW110045T40N1Z      | Yes                | C                         | 17.7 x 8.7 x 11.5      | 46                    | \$5,400    |                      |
|   | 40                    | 58.5                    | 30                    | 47                      | CFW110058T40N1Z      | Yes                | C                         | 17.7 x 8.7 x 11.5      | 46                    | \$6,633    |                      |
|   | 50/60                 | 70.5                    | 40                    | 61                      | CFW110070T40N1Z      | Yes                | D                         | 19.9 x 11.9 x 12.0     | 125                   | \$7,500    |                      |
|   | 60/75                 | 88                      | 50                    | 73                      | CFW110088T40N1Z      | Yes                | D                         | 19.9 x 11.9 x 12.0     | 125                   | \$8,900    |                      |
|   | 75                    | 105                     | 75                    | 88                      | CFW110105T40N1DBZ    | Yes                | E                         | 26.6 x 13.2 x 14.1     | 144                   | \$13,600   |                      |
|   | 100/125               | 142                     | 75                    | 115                     | CFW110142T40N1DBZ    | Yes                | E                         | 26.6 x 13.2 x 14.1     | 144                   | \$15,900   |                      |
|   | 150                   | 180                     | 100/125               | 142                     | CFW110180T40N1DBZ    | Yes                | E                         | 26.6 x 13.2 x 14.1     | 144                   | \$23,115   |                      |
|   | 175                   | 211                     | 150                   | 180                     | CFW110211T40N1DBZ    | Yes                | E                         | 26.6 x 13.2 x 14.1     | 144                   | \$27,020   |                      |
| <b>Input Power Supply: Three-Phase 380-480 Vac without Dynamic Braking Transistor</b> |                       |                         |                       |                         |                      |                    |                           |                        |                       |            |                      |
| 75  | 105                   | 75                      | 88                    | CFW110105T40N1Z         | No                   | E                  | 26.6 x 13.2 x 14.1        | 144                    | \$10,650              | V1P (V1)   |                      |
| 100/125   | 142                   | 75                      | 115                   | CFW110142T40N1Z         | No                   | E                  | 26.6 x 13.2 x 14.1        | 144                    | \$12,500              |            |                      |
| 150   | 180                   | 100/125                 | 142                   | CFW110180T40N1Z         | No                   | E                  | 26.6 x 13.2 x 14.1        | 144                    | \$17,500              |            |                      |
| 175   | 211                   | 150                     | 180                   | CFW110211T40N1Z         | No                   | E                  | 26.6 x 13.2 x 14.1        | 144                    | \$21,000              |            |                      |
| 200   | 242                   | 150                     | 211                   | CFW110242T4SZ           | No                   | F <sup>6</sup>     | 48.6 x 16.9 x 14.2        | 309                    | \$23,000              |            |                      |
| 250   | 312                   | 200                     | 242                   | CFW110312T4SZ           | No                   | F <sup>6</sup>     | 48.6 x 16.9 x 14.2        | 309                    | \$29,366              |            |                      |
| 300   | 370                   | 250                     | 312                   | CFW110370T4SZ           | No                   | F <sup>6</sup>     | 48.6 x 16.9 x 14.2        | 309                    | \$31,314              |            |                      |
| 400   | 477                   | 300                     | 370                   | CFW110477T4SZ           | No                   | F <sup>6</sup>     | 48.6 x 16.9 x 14.2        | 309                    | \$41,027              |            |                      |
| 450   | 515                   | 400                     | 477                   | CFW110515T4SZ           | No                   | G <sup>6</sup>     | 50 x 21.1 x 16.8          | 474                    | \$43,970              |            |                      |
| 500   | 601                   | 450                     | 515                   | CFW110601T4SZ           | No                   | G <sup>6</sup>     | 50 x 21.1 x 16.8          | 474                    | \$50,088              |            |                      |
| 600   | 720                   | 500                     | 560                   | CFW110720T4SZ           | No                   | G <sup>6</sup>     | 50 x 21.1 x 16.8          | 474                    | \$59,330              |            |                      |
| 650   | 760                   | 500                     | 600                   | CFW110760T4OYZ          | No                   | G <sup>6,7</sup>   | 50 x 21.1 x 16.8          | 474                    | \$60,240              |            |                      |
| 700   | 795                   | 550                     | 637                   | CFW110795T4OYZ          | No                   | H <sup>6,7,8</sup> | 55.7 x 27.1 x 16.6        | 470                    | \$59,900              |            |                      |
|   |                       |                         |                       | WKDRULL8H-877           | Line Reactor (QTY-2) |                    | 12.3 x 15.5 x 13.5        | 125 x 2                | \$ 5,962 (ea)         |            |                      |
| 750   | 877                   | 600                     | 715                   | CFW110877T4OYZ          | No                   | H <sup>6,7,8</sup> | 55.7 x 27.1 x 16.6        | 470                    | \$65,950              |            |                      |
|   |                       |                         |                       | WKDRULL8H-877           | Line Reactor (QTY-2) |                    | 12.3 x 15.5 x 13.5        | 125 x 2                | \$ 5,962 (ea)         |            |                      |
| 950   | 1062                  | 750                     | 855                   | CFW111062T4OYZ          | No                   | H <sup>6,7,8</sup> | 55.7 x 27.1 x 16.6        | 486                    | \$79,736              |            |                      |
|   |                       |                         |                       | WKDRULS3H-1141          | Line Reactor (QTY-2) |                    | 12.61 x 15.25 x 16.5      | 190 x 2                | \$ 7,725 (ea)         |            |                      |
| 1000  | 1141                  | 800                     | 943                   | CFW111141T4OYZ          | No                   | H <sup>6,7,8</sup> | 55.7 x 27.1 x 16.6        | 486                    | \$92,517              |            |                      |
|   |                       |                         |                       | WKDRULS3H-1141          | Line Reactor (QTY-2) |                    | 12.61 x 15.25 x 16.5      | 190 x 2                | \$ 7,725 (ea)         |            |                      |

Notes:

- 1) CT = Constant Torque, 150% overload / 60 sec.; VT = Variable Torque (Quadratic Load), 110% overload / 60 sec.
- 2) "HP" rating based on "average FLA values". Use as a guide only.
- 3) Motor FLA may vary with speed and manufacturer. ALWAYS compare motor FLA to Nominal AMPS of drive.
- 4) Frame A to D: Maximum 50°C ambient temperature without derating.  
Frame E, F & G (515A & 601A): Maximum 45°C ambient temperature without derating.  
Frame G (720A & 760A) & H: Maximum 40°C ambient temperature without derating.
- 5) Frame A to E: Approx. 6% impedance Dual DC Bus chokes.  
Frame F & G: Approx. 3% impedance Dual DC Bus chokes.
- 6) IP20 enclosure protection level.
- 7) Includes STO Safety Stop per EN 954-1 / ISO 13846-1, category 3.
- 8) Frame-H does not have built-in DC-link Inductor. The Open style (IP00) input AC line reactor(s) in mentioned quantities must be used with drive to get the drive warranty.

# Variable Frequency Drives



CFW11

NEMA 1 Enclosure

| Motor Voltage   | ND / VT <sup>1</sup>  |                         | HD / CT <sup>1</sup>  |                         | Catalog Number       | Braking Transistor   | Frame Size         | Dimensions (in.) HxWxD | Approx. Weight (lbs.) | List Price | Multiplier New (Old) |
|---|-----------------------|-------------------------|-----------------------|-------------------------|----------------------|----------------------|--------------------|------------------------|-----------------------|------------|----------------------|
|   | Motor HP <sup>2</sup> | Drive Amps <sup>3</sup> | Motor HP <sup>2</sup> | Drive Amps <sup>3</sup> |                      |                      |                    |                        |                       |            |                      |
| <b>Input Power Supply: Three-Phase 500-600 Vac with Dynamic Braking Transistor</b>    |                       |                         |                       |                         |                      |                      |                    |                        |                       |            |                      |
| 575 Vac <sup>4</sup>  | 2                     | 2.9                     | 2                     | 2.7                     | CFW110002T50N1NFZ    | Yes                  | B                  | 13.9 x 7.5 x 9.0       | 24                    | \$2,393    | VIP (V1)             |
|   | 3                     | 4.4                     | 3                     | 3.8                     | CFW110004T50N1NFZ    | Yes                  | B                  | 13.9 x 7.5 x 9.0       | 24                    | \$2,360    |                      |
|   | 7 1/2                 | 7.0                     | 5                     | 6.4                     | CFW110007T50N1NFZ    | Yes                  | B                  | 13.9 x 7.5 x 9.0       | 24                    | \$2,516    |                      |
|   | 10                    | 10                      | 7 1/2                 | 9.0                     | CFW110010T50N1NFZ    | Yes                  | B                  | 13.9 x 7.5 x 9.0       | 24                    | \$2,850    |                      |
|   | 10                    | 12                      | 10                    | 10                      | CFW110012T50N1NFZ    | Yes                  | B                  | 13.9 x 7.5 x 9.0       | 24                    | \$2,998    |                      |
|   | 15                    | 17                      | 15                    | 17                      | CFW110017T50N1NFZ    | Yes                  | B                  | 13.9 x 7.5 x 9.0       | 24                    | \$3,145    |                      |
|   | 20                    | 22                      | 20                    | 19                      | CFW110022T50N1NFZ    | Yes                  | C                  | 17.7 x 8.7 x 11.5      | 44.6                  | \$4,748    |                      |
|   | 25                    | 27                      | 20                    | 22                      | CFW110027T50N1NFZ    | Yes                  | C                  | 17.7 x 8.7 x 11.5      | 44.6                  | \$5,023    |                      |
|   | 30                    | 32                      | 25                    | 27                      | CFW110032T50N1NFZ    | Yes                  | C                  | 17.7 x 8.7 x 11.5      | 44.6                  | \$5,803    |                      |
|   | 40                    | 44                      | 30                    | 36                      | CFW110044T50N1NFZ    | Yes                  | C                  | 17.7 x 8.7 x 11.5      | 44.6                  | \$7,175    |                      |
|   | 50                    | 53                      | 40                    | 44                      | CFW110053T60N1YZ     | Yes                  | E <sup>5,8</sup>   | 26.6 x 13.2 x 14.1     | 143                   | \$12,166   |                      |
|   | 60                    | 63                      | 50                    | 53                      | CFW110063T60N1YZ     | Yes                  | E <sup>5,8</sup>   | 26.6 x 13.2 x 14.1     | 143                   | \$12,932   |                      |
|   | 75                    | 80                      | 75                    | 66                      | CFW110080T60N1YZ     | Yes                  | E <sup>5,8</sup>   | 26.6 x 13.2 x 14.1     | 143                   | \$13,979   |                      |
|   | 100                   | 107                     | 100                   | 90                      | CFW110107T60N1YZ     | Yes                  | E <sup>5,8</sup>   | 26.6 x 13.2 x 14.1     | 143                   | \$23,951   |                      |
|   | 125                   | 125                     | 100                   | 107                     | CFW110125T60N1YZ     | Yes                  | E <sup>5,8</sup>   | 26.6 x 13.2 x 14.1     | 143                   | \$29,042   |                      |
| 150   | 150                   | 125                     | 122                   | CFW110150T60N1YZ        | Yes                  | E <sup>5,8</sup>     | 26.6 x 13.2 x 14.1 | 143                    | \$33,040              |            |                      |
| <b>Input Power Supply: Three-Phase 500-600 Vac without Dynamic Braking Transistor</b> |                       |                         |                       |                         |                      |                      |                    |                        |                       |            |                      |
| 50  | 53                    | 40                      | 44                    | CFW110053T60N1NBYZ      | No                   | E <sup>5,8</sup>     | 26.6 x 13.2 x 14.1 | 143                    | \$9,887               | VIP (V1)   |                      |
| 60  | 63                    | 50                      | 53                    | CFW110063T60N1NBYZ      | No                   | E <sup>5,8</sup>     | 26.6 x 13.2 x 14.1 | 143                    | \$10,510              |            |                      |
| 75  | 80                    | 75                      | 66                    | CFW110080T60N1NBYZ      | No                   | E <sup>5,8</sup>     | 26.6 x 13.2 x 14.1 | 143                    | \$11,358              |            |                      |
| 100   | 107                   | 100                     | 90                    | CFW110107T60N1NBYZ      | No                   | E <sup>5,8</sup>     | 26.6 x 13.2 x 14.1 | 143                    | \$19,458              |            |                      |
| 125   | 125                   | 100                     | 107                   | CFW110125T60N1NBYZ      | No                   | E <sup>5,8</sup>     | 26.6 x 13.2 x 14.1 | 143                    | \$23,589              |            |                      |
| 150   | 150                   | 125                     | 122                   | CFW110150T60N1NBYZ      | No                   | E <sup>5,8</sup>     | 26.6 x 13.2 x 14.1 | 143                    | \$32,080              |            |                      |
| 150   | 170                   | 150                     | 150                   | CFW110170T60YZ          | No                   | F <sup>5,7,8</sup>   | 48.6 x 16.9 x 14.2 | 371                    | \$33,083              |            |                      |
| 200   | 216                   | 150                     | 180                   | CFW110216T60YZ          | No                   | F <sup>5,7,8</sup>   | 48.6 x 16.9 x 14.2 | 371                    | \$40,206              |            |                      |
| 300   | 289                   | 250                     | 240                   | CFW110289T60YZ          | No                   | F <sup>5,7,8</sup>   | 48.6 x 16.9 x 14.2 | 371                    | \$48,913              |            |                      |
| 350   | 315                   | 300                     | 289                   | CFW110315T60YZ          | No                   | G <sup>5,7,8</sup>   | 50 x 21.1 x 16.8   | 569                    | \$54,936              |            |                      |
| 400   | 365                   | 350                     | 315                   | CFW110365T60YZ          | No                   | G <sup>5,7,8</sup>   | 50 x 21.1 x 16.8   | 569                    | \$71,061              |            |                      |
| 450   | 435                   | 350                     | 357                   | CFW110435T60YZ          | No                   | G <sup>5,7,8</sup>   | 50 x 21.1 x 16.8   | 569                    | \$76,125              |            |                      |
| 500   | 472                   | 450                     | 418                   | CFW110472T60YZ          | No                   | G <sup>6,7,8</sup>   | 50 x 21.1 x 16.8   | 569                    | \$77,150              |            |                      |
| 650   | 584                   | 550                     | 504                   | CFW110584T60YZ          | No                   | H <sup>6,7,8,9</sup> | 55.7 x 27.1 x 16.6 | 441                    | \$76,990              |            |                      |
|   |                       |                         |                       | WKDRULS50H-625          | Line Reactor (QTY-1) |                      | 12.3 x 15.5 x 13.5 | 195 x 1                | \$8,495(ea)           |            |                      |
| 700   | 625                   | 600                     | 540                   | CFW110625T60YZ          | No                   | H <sup>6,7,8,9</sup> | 55.7 x 27.1 x 16.6 | 441                    | \$81,950              |            |                      |
|   |                       |                         |                       | WKDRULS50H-625          | Line Reactor (QTY-1) |                      | 12.3 x 15.5 x 13.5 | 195 x 1                | \$8,495(ea)           |            |                      |
| 850   | 758                   | 650                     | 614                   | CFW110758T60YZ          | No                   | H <sup>6,7,8,9</sup> | 55.7 x 27.1 x 16.6 | 470                    | \$92,830              |            |                      |
|   |                       |                         |                       | WKDRULS43L-804          | Line Reactor (QTY-2) |                      | 12.3 x 15.5 x 13.5 | 175 x 2                | \$5,615(ea)           |            |                      |
| 900   | 804                   | 750                     | 682                   | CFW110804T60YZ          | No                   | H <sup>6,7,8,9</sup> | 55.7 x 27.1 x 16.6 | 470                    | \$104,990             |            |                      |
|   |                       |                         |                       | WKDRULS43L-804          | Line Reactor (QTY-2) |                      | 12.3 x 15.5 x 13.5 | 175 x 2                | \$5,615(ea)           |            |                      |

Notes:

- 1) CT = Constant Torque, 150% overload / 60 sec.; VT = Variable Torque (Quadratic Load), 110% overload / 60 sec.
- 2) "HP" rating based on "average FLA values". Use as a guide only.
- 3) Motor FLA may vary with speed and manufacturer. ALWAYS compare motor FLA to Nominal AMPS of drive.
- 4) All 575V drives are non-stocked items, consult WEG for availability.
- 5) Maximum 45°C ambient temperature without derating
- 6) Maximum 40°C ambient temperature without derating
- 7) IP20 enclosure protection level
- 8) Includes STO Safety Stop per EN 954-1 / ISO 13849-1, category 3
- 9) Frame size "H" does not have built-in DC-link Inductor. The Open style (IP00) Input AC Line Reactor(s) in mentioned qty must be used with the drive to get the drive warranty.



### NEMA12 / IP55 Enclosure with Disconnect Switch

| Motor Voltage | ND / VT <sup>1</sup>  |                         | HD / CT <sup>1</sup>  |                         | Catalog Number    | Braking Transistor | Frame Size         | Dimensions (in.) HxWxD | Approx. Weight (lbs.) | List Price | Multiplier New (Old) |  |
|---------------|---|-------------------------|-----------------------|-------------------------|-------------------|--------------------|--------------------|------------------------|-----------------------|------------|----------------------|--|
|               | Motor HP <sup>2</sup>   | Drive Amps <sup>3</sup> | Motor HP <sup>2</sup> | Drive Amps <sup>3</sup> |                   |                    |                    |                        |                       |            |                      |  |
| 230 Vac       | <b>Input Power Supply: Three-Phase 200-240 Vac with Dynamic Braking Transistor</b>    |                         |                       |                         |                   |                    |                    |                        |                       |            |                      |  |
|               | 2   | 7                       | 1.5                   | 5.5                     | CFW110007T2055DSZ | Yes                | B                  | 20.8 x 10.7 x 11.0     | 37.5                  | \$2,022    | V1P (V1)             |  |
|               | 3   | 10                      | 2                     | 8                       | CFW110010T2055DSZ | Yes                | B                  | 20.8 x 10.7 x 11.0     | 37.5                  | \$2,074    | V1P (V1)             |  |
|               | 5   | 13                      | 3                     | 11                      | CFW110013T2055DSZ | Yes                | B                  | 20.8 x 10.7 x 11.0     | 37.5                  | \$2,130    | V1P (V1)             |  |
|               | 5   | 16                      | 5                     | 13                      | CFW110016T2055DSZ | Yes                | B                  | 20.8 x 10.7 x 11.0     | 37.5                  | \$2,601    | V1P (V1)             |  |
|               | 7.5   | 24                      | 7.5                   | 20                      | CFW110024T2055DSZ | Yes                | B                  | 20.8 x 10.7 x 11.0     | 37.5                  | \$3,074    | V1P (V1)             |  |
|               | 10  | 28                      | 10                    | 24                      | CFW110028T2055DSZ | Yes                | B                  | 20.8 x 10.7 x 11.0     | 37.5                  | \$3,529    | V1P (V1)             |  |
|               | 10  | 33.5                    | 10                    | 28                      | CFW110033T2055DSZ | Yes                | B                  | 20.8 x 10.7 x 11.0     | 37.5                  | \$4,062    | V1P (V1)             |  |
|               | 15  | 45                      | 15                    | 36                      | CFW110045T2055DSZ | Yes                | C                  | 26.4 x 12.1 x 13.7     | 66.2                  | \$4,892    | V1P (V1)             |  |
|               | 20  | 54                      | 20                    | 45                      | CFW110054T2055DSZ | Yes                | C                  | 26.4 x 12.1 x 13.7     | 66.2                  | \$6,037    | V1P (V1)             |  |
|               | 25  | 70                      | 20                    | 56                      | CFW110070T2055DSZ | Yes                | C                  | 26.4 x 12.1 x 13.7     | 66.2                  | \$6,941    | V1P (V1)             |  |
|               | 30  | 86                      | 25                    | 70                      | CFW110086T2055DSZ | Yes                | D                  | 29.7 x 14.8 x 11.9     | 108                   | \$7,895    | V1P (V1)             |  |
|               | 40  | 105                     | 30                    | 86                      | CFW110105T2055DSZ | Yes                | D                  | 29.7 x 14.8 x 11.9     | 108                   | \$10,062   | V1P (V1)             |  |
|               | <b>Input Power Supply: Three-Phase 200-240 Vac without Dynamic Braking Transistor</b> |                         |                       |                         |                   |                    |                    |                        |                       |            |                      |  |
|               | 50  | 142                     | 40                    | 115                     | CFW110142T2055DSZ | No                 | E                  | 39.4 x 16.9 x 15.3     | 211.7                 | \$12,539   | V1P (V1)             |  |
|               | 60  | 180                     | 50                    | 142                     | CFW110180T2055DSZ | No                 | E                  | 39.4 x 16.9 x 15.3     | 211.7                 | \$17,211   | V1P (V1)             |  |
| 75            | 211   | 60                      | 180                   | CFW110211T2055DSZ       | No                | E                  | 39.4 x 16.9 x 15.3 | 211.7                  | \$22,167              | V1P (V1)   |                      |  |
| 460 Vac       | <b>Input Power Supply: Three-Phase 380-480 Vac with Dynamic Braking Transistor</b>    |                         |                       |                         |                   |                    |                    |                        |                       |            |                      |  |
|               | 2   | 3.6                     | 2                     | 3.6                     | CFW110003T4055DSZ | Yes                | B                  | 20.8 x 10.7 x 11.0     | 37.5                  | \$1,873    | V1P (V1)             |  |
|               | 3   | 5                       | 3                     | 5                       | CFW110005T4055DSZ | Yes                | B                  | 20.8 x 10.7 x 11.0     | 37.5                  | \$1,997    | V1P (V1)             |  |
|               | 5   | 7                       | 3                     | 5.5                     | CFW110007T4055DSZ | Yes                | B                  | 20.8 x 10.7 x 11.0     | 37.5                  | \$2,065    | V1P (V1)             |  |
|               | 7.5   | 10                      | 5                     | 10                      | CFW110010T4055DSZ | Yes                | B                  | 20.8 x 10.7 x 11.0     | 37.5                  | \$2,198    | V1P (V1)             |  |
|               | 10  | 13.5                    | 7.5                   | 11                      | CFW110013T4055DSZ | Yes                | B                  | 20.8 x 10.7 x 11.0     | 37.5                  | \$2,632    | V1P (V1)             |  |
|               | 10  | 17                      | 10                    | 13.5                    | CFW110017T4055DSZ | Yes                | B                  | 20.8 x 10.7 x 11.0     | 37.5                  | \$2,786    | V1P (V1)             |  |
|               | 15  | 24                      | 10                    | 19                      | CFW110024T4055DSZ | Yes                | B                  | 20.8 x 10.7 x 11.0     | 37.5                  | \$3,622    | V1P (V1)             |  |
|               | 20  | 31                      | 15                    | 25                      | CFW110031T4055DSZ | Yes                | B                  | 20.8 x 10.7 x 11.0     | 37.5                  | \$4,427    | V1P (V1)             |  |
|               | 25  | 38                      | 20                    | 33                      | CFW110038T4055DSZ | Yes                | C                  | 26.4 x 12.1 x 13.7     | 66.2                  | \$5,610    | V1P (V1)             |  |
|               | 30  | 45                      | 25                    | 38                      | CFW110045T4055DSZ | Yes                | C                  | 26.4 x 12.1 x 13.7     | 66.2                  | \$6,728    | V1P (V1)             |  |
|               | 40  | 58.5                    | 30                    | 47                      | CFW110058T4055DSZ | Yes                | C                  | 26.4 x 12.1 x 13.7     | 66.2                  | \$7,678    | V1P (V1)             |  |
|               | 50/60   | 70.5                    | 40                    | 61                      | CFW110070T4055DSZ | Yes                | D                  | 29.7 x 14.8 x 11.9     | 108                   | \$9,412    | V1P (V1)             |  |
|               | 60/75   | 88                      | 50                    | 73                      | CFW110088T4055DSZ | Yes                | D                  | 29.7 x 14.8 x 11.9     | 108                   | \$11,084   | V1P (V1)             |  |
|               | <b>Input Power Supply: Three-Phase 380-480 Vac without Dynamic Braking Transistor</b> |                         |                       |                         |                   |                    |                    |                        |                       |            |                      |  |
|               | 75  | 105                     | 75                    | 88                      | CFW110105T4055DSZ | No                 | E                  | 39.4 x 16.9 x 15.3     | 211.7                 | \$12,198   | V1P (V1)             |  |
| 100/125       | 142   | 75                      | 115                   | CFW110142T4055DSZ       | No                | E                  | 39.4 x 16.9 x 15.3 | 211.7                  | \$15,062              | V1P (V1)   |                      |  |
| 150           | 180   | 100/125                 | 142                   | CFW110180T4055DSZ       | No                | E                  | 39.4 x 16.9 x 15.3 | 211.7                  | \$21,115              | V1P (V1)   |                      |  |
| 175           | 211   | 150                     | 180                   | CFW110211T4055DSZ       | No                | E                  | 39.4 x 16.9 x 15.3 | 211.7                  | \$27,554              | V1P (V1)   |                      |  |

Notes:

- 1) CT = Constant Torque, 150% overload / 60 sec.; VT = Variable Torque (Quadratic Load), 110% overload / 60 sec.
- 2) "HP" rating based on "average FLA values". Use as a guide only.
- 3) Motor FLA may vary with speed and manufacturer. ALWAYS compare motor FLA to Nominal AMPS of drive.
- 4) Dimensions are provided for estimating purposes only. Always refer to as built drawings for actual measurements.  
All CFW11 IP55/NEMA12 drives have maximum 40°C ambient temperature without derating.  
For other technical data please refer to WEG product manual.

## CFW11

### Options and Accessories

| Type                 | Catalog Number          | Description   | Slot   | List Price | Multiplier New (Old) |
|----------------------|-------------------------|---|--|------------|----------------------|
| I/O Expansion Module | <b>IOA-01</b>           | IOA Module for CFW11:<br>1 analog input (AI4 - 14 bits, voltage or current);<br>2 analog outputs (AO3 and AO4 - 14 bits, voltage or current);<br>2 digital inputs; 2 digital outputs (open-collector).<br>All analog inputs and outputs are galvanically isolated.  | 1  | \$1,100    | V1P (V1)             |
|                      | <b>IOB-01</b>           | IOB Module for CFW11:<br>2 analog inputs (AI3 and AI4 - 12 bits, voltage or current);<br>2 analog outputs (AO1 and AO2 - 11 bits, voltage or current);<br>2 digital inputs; 2 digital outputs (open-collector)<br>All analog inputs and outputs are galvanically isolated.  | 1  | \$600      | V1P (V1)             |
|                      | <b>IOC-01</b>           | Module for SoftPLC : 8 x Isolated Digital Inputs; 4 x Relay output (240V/1A)  | 1  | \$447      | V1P (V1)             |
|                      | <b>IOC-02</b>           | Module for SoftPLC : 8 x Isolated Digital Inputs; 8 x open collector digital outputs  | 1  | \$411      | V1P (V1)             |
|                      | <b>IOE-01</b>           | PTC Temperature Sensor Input Card; 5 - Channels   | 1  | \$668      | V1P (V1)             |
|                      | <b>IOE-02</b>           | PT100 Temperature Sensor Input Card; 5 - Channels   | 1  | \$1,741    | V1P (V1)             |
|                      | <b>IOE-03</b>           | KTY84 Temperature Sensor Input Card; 5 - Channels   | 1  | \$863      | V1P (V1)             |
|                      | Encoder Module          | <b>ENC-01</b>   | Incremental encoder module, 5 to 12 VDC at 100 kHz, with encoder signal repeater | 2          | \$500                |
| <b>ENC-02</b>        |                         | Incremental encoder module, 5 to 12 VDC at 100 kHz, without encoder signal repeater   | 2  | \$430      | V1P (V1)             |
| Communication        | <b>RS485-01</b>         | RS-485 serial communication module (Modbus-RTU)   | 3  | \$240      | V1P (V1)             |
|                      | <b>RS232-01</b>         | RS-232C serial communication module (Modbus-RTU)  | 3  | \$180      | V1P (V1)             |
|                      | <b>RS232-02</b>         | RS232C serial communication module with DIP-switches for microcontroller's flash memory programming   | 3  | \$180      | V1P (V1)             |
|                      | <b>CAN/RS485-01</b>     | CAN and RS-485 communication module (CANopen / Modbus / DeviceNet)  | 3  | \$480      | V1P (V1)             |
|                      | <b>CAN-01</b>           | CAN interface module (CANopen/DeviceNet) (CFW11 & CFW700)   | 3  | \$410      | GA (V1)              |
|                      | <b>PROFIBUS DP-01</b>   | Profibus DP-V1 interface module (CFW11 & CFW700)  | 3  | \$520      | GA (V1)              |
|                      | <b>PROFDP-05</b>        | Profibus DP interface module  | 4  | \$935      | V1P (V1)             |
|                      | <b>DEVICENET-05</b>     | DeviceNet interface module  | 4  | \$935      | V1P (V1)             |
|                      | <b>ETHERNET/IP-05</b>   | Ethernet/IP interface module  | 4  | \$935      | V1P (V1)             |
|                      | <b>ETHERNETIP-2P-05</b> | EtherNet/IP Communication Module, 2-ports   | 4  | \$1,067    | V1P (V1)             |
|                      | <b>ETHERCAT-05</b>      | EtherCAT Communication Module   | 4  | \$1,117    | V1P (V1)             |
|                      | <b>RS232-05</b>         | RS-232 serial communication module (Modbus-RTU)   | 4  | \$228      | V1P (V1)             |
|                      | <b>RS485-05</b>         | RS-485 serial communication module (Modbus-RTU)   | 4  | \$275      | V1P (V1)             |
|                      | <b>MODBUSTCP-05</b>     | Modbus - TCP/IP interface module  | 4  | \$1,381    | V1P (V1)             |
|                      | <b>MODBUSTCP-2P-05</b>  | Modbus - TCP/IP interface module, 2-ports   | 4  | \$1,567    | V1P (V1)             |
|                      |                         | <b>PROFINET IO-05</b>   | Profinet interface module  | 4          | \$1,594              |
| PLC                  | <b>PLC11-01</b>         | PLC functions with ladder programming, electronic gear box, etc.;<br>9 digital inputs; 3 dry-contact digital outputs; 3 open-collector digital outputs;<br>1 analog input (14 bits); 2 analog outputs (14 bits); 2 encoder interfaces;<br>RS-485 Modbus-RTU interface;<br>CAN interface (CANopen, CANopen master/slave) | 1, 2, 3  | \$1,876    | V1P (V1)             |
| PLC                  | <b>PLC11-02</b>         | PLC functions with ladder programming, electronic gear box, etc.;<br>4 digital inputs; 1 dry-contact digital output; 3 open-collector digital outputs;<br>2 encoder interfaces; RS-485 Modbus-RTU interface;<br>CAN interface (CANopen, CANopen master/slave)   | 1,2,3  | \$1,221    | V1P (V1)             |
| Flash Memory         | <b>MMF-01</b>           | Flash Memory Module for CFW11; Blue Cover;<br>For main circuit board versions CC11C and older   | 5  | \$71       | V1P (V1)             |
|                      | <b>MMF-03</b>           | Flash Memory Module for CFW11; Yellow Cover;<br>For main circuit board versions CC11D and newer   | 5  | \$71       | V1P (V1)             |

continued on next page

### Options and Accessories

| Type                   | CATALOG NUMBER          | Description   | List Price      | Multiplier New (Old) |
|------------------------|-------------------------|---|-----------------|----------------------|
| Keypad and Accessories | <b>HMI-01</b>           | CFW11 Standard Keypad   | <b>\$205</b>    | V1G (V1)             |
|                        | <b>RHMIF-01</b>         | CFW11 Remote Keypad Frame Kit   | <b>\$69</b>     | V1P (V1)             |
|                        | <b>HMID-01</b>          | Blank Keypad Cover for Keypad Slot (CFW11 & CFW700)   | <b>\$54</b>     | V1P (V1)             |
| Remote Keypad Cable    | <b>IHM-CAB-RS-1M</b>    | 3.3 ft (1 meter) Remote Keypad Cable (CFW11 & CFW700)   | <b>\$54</b>     | GA (V1)              |
|                        | <b>IHM-CAB-RS-2M</b>    | 6.6 ft (2 meter) Remote Keypad Cable (CFW11 & CFW700)   | <b>\$60</b>     | GA (V1)              |
|                        | <b>IHM-CAB-RS-3M</b>    | 9.9 ft (3 meter) Remote Keypad Cable (CFW11 & CFW700)   | <b>\$66</b>     | GA (V1)              |
|                        | <b>IHM-CAB-RS-5M</b>    | 16 ft (5 meter) Remote Keypad Cable (CFW11 & CFW700)  | <b>\$75</b>     | GA (V1)              |
|                        | <b>IHM-CAB-RS-7.5M</b>  | 25 ft (7.5 meter) Remote Keypad Cable (CFW11 & CFW700)  | <b>\$90</b>     | GA (V1)              |
|                        | <b>IHM-CAB-RS-10M</b>   | 33 ft (10 meter) Remote Keypad Cable (CFW11 & CFW700)   | <b>\$102</b>    | GA (V1)              |
| Remote Oper. Station   | <b>CSW-SP3PBS</b>       | Remote Operator Station-includes 22mm Start PB, Stop PB, 1-NC and 1-NO contact block, 5k-ohm Potentiometer and legends (replaces CFW-REM) | <b>\$460</b>    | Z5                   |
|                        | <b>CSW30-SP3PBS</b>     | Remote Operator Station-includes 30mm Start PB, Stop PB, 1-NC and 1-NO contact block, 5k-ohm Potentiometer and legends (replaces CFW-REM) | <b>\$535</b>    | Z55 (Z5)             |
| Conduit Kit            | <b>KN1A-01</b>          | NEMA 1 Conduit Kit for frame size A with power cables shielding   | <b>\$69</b>     | V1P (V1)             |
|                        | <b>KN1B-01</b>          | NEMA 1 Conduit Kit for frame size B with power cables shielding   | <b>\$82</b>     | V1P (V1)             |
|                        | <b>KN1C-01</b>          | NEMA 1 Conduit Kit for frame size C with power cables shielding   | <b>\$94</b>     | V1P (V1)             |
|                        | <b>KIP21D-01</b>        | IP21 Top Cover Kit for Frame size D (CFW11 & CFW700)  | <b>\$100</b>    | GA (V1)              |
|                        | <b>KN1E-01</b>          | NEMA 1 Top cover kit for frame size E (105 and 142A)  | <b>\$78</b>     | GA (V1)              |
|                        | <b>KN1E-02</b>          | NEMA 1 Top cover kit plus Conduit kit for frame size E (180 and 211A)   | <b>\$213</b>    | GA (V1)              |
|                        | <b>KN1F-01</b>          | NEMA 1 Conduit Kit for frame size F   | <b>\$390</b>    | V1P (V1)             |
|                        | <b>KN1G-01</b>          | NEMA 1 Conduit Kit for frame size G   | <b>\$445</b>    | V1P (V1)             |
| Cable Shield Kit       | <b>PCSA-01</b>          | Power Cables Shielding Kit for frame size A (CFW11, CFW700 & CFW701)  | <b>\$48</b>     | GA (V1)              |
|                        | <b>PCSB-01</b>          | Power Cables Shielding Kit for frame size B (CFW11, CFW700 & CFW701)  | <b>\$51</b>     | GA (V1)              |
|                        | <b>PCSC-01</b>          | Power Cables Shielding Kit for frame size C (CFW11, CFW700 & CFW701)  | <b>\$54</b>     | GA (V1)              |
|                        | <b>PCSD-01</b>          | Power Cables Shielding Kit for frame size D (CFW11, CFW700 & CFW701)  | <b>\$56</b>     | GA (V1)              |
|                        | <b>PCSE-01</b>          | Power Cables Shielding Kit for frame size E (CFW11, CFW700 & CFW701)  | <b>\$76</b>     | GA (V1)              |
| Dynamic Brake          | <b>DBW030380D3848SZ</b> | External Dynamic Braking Module for CFW11 - T4, Frame F & G (380 to 480VAC), 380A.  | <b>\$6,822</b>  | V1P (V1)             |
|                        | <b>DBW040380D3848SZ</b> | External Dynamic Braking Module for CFW11 - T4, Frame H (380 to 480VAC), 380A.  | <b>\$6,822</b>  | V1P (V1)             |
|                        | <b>DBW030250D5069SZ</b> | External Dynamic Braking Module for CFW11 - T5/T6, Frame F & G (500 to 690VAC), 250A  | <b>\$6,654</b>  | V1P (V1)             |
|                        | <b>DBW040250D5069SZ</b> | External Dynamic Braking Module for CFW11 - T5/T6, Frame H (500 to 690VAC), 250A.   | <b>\$6,654</b>  | V1P (V1)             |
|                        | <b>KIP20</b>            | IP20 kit for DBW03 / DBW04  | <b>\$96</b>     | V1P (V1)             |
| CFW11 Demo Suitcase    | <b>CFW11-DEMO-SLV</b>   | CFW11 Demo Suitcase, Silver, with Encoder   | <b>\$10,950</b> | V1P (V1)             |
|                        | <b>CFW11-DEMO-BLK</b>   | CFW11 Demo Suitcase, Black, w/o Encoder   | <b>\$8,215</b>  | V1P (V1)             |

## CFW11

### Technical Data

|                               |   |   |                        |
|-------------------------------|---|---|------------------------|
| <b>Power Supply</b>           | Voltage   | Single Phase or Three Phase   | 200-240V (+10%, -15%)  |
|                               |   | Three phase   | 380-480V (+10%, -15%)  |
|                               | Frequency   | 50 / 60Hz +/- 2Hz   |                        |
|                               | Displacement Power Factor (Cos)   | Greater than 0.94   |                        |
| <b>Enclosure</b>              | Degree of Protection  | NEMA 1 / IP20 / NEMA12 (IP55)   |                        |
| <b>Control</b>                | Control Modes   | Volts per Hertz (Scalar)  | Voltage Vector (VVW)   |
|                               |   | Sensorless Vector   | Vector with encoder    |
|                               | Power Output  | Sinusoidal PWM (Space Vector Modulation)  |                        |
|                               |   | IGBT Transistors  |                        |
|                               | Switching Frequency   | 1.25, 2.0, 2.5, 5.0 or 10.0 kHz   |                        |
|                               | Frequency Range   | 0-300 Hz in Scalar Mode; 120 Hz in Vector Mode  |                        |
| Overload Capacity             | CT = Constant Torque, 150% overload / 60 sec.<br>VT = Variable Torque (Quadratic Load), 110% overload / 60 sec.   |   |                        |
| <b>Control Inputs</b>         | 6 programmable isolated digital inputs, 24Vdc logic<br>2 isolated programmable differential analog inputs 11 bit; programmable for current or voltage (0-10V, 4-20mA or 0-20mA)   |   |                        |
| <b>Control Outputs</b>        | 3 programmable relay output; NO/NC (Form C); 240Vac, 30Vdc / 1.0 A<br>2 isolated programmable analog outputs 11 bit; programmable for current or voltage (0-10V, 4-20mA or 0-20mA)  |   |                        |
| <b>Communication</b>          | Serial  | Optional RS-232 serial interface, RS-485 with external RS-232/485 converter   |                        |
|                               | Field Bus   | RS-232 (Modbus RTU), RS-485 (Modbus RTU), CANOpen, DeviceNet, Profibus DP   |                        |
|                               |   | DeviceNet, Profibus DP-V1, Ethernet/IP, Modbus TCP, Profinet IO (Active Module)<br>RS232, RS485 (Passive Module)      |                        |
| <b>Safety</b>                 | Protections   | Motor over current  | DC link over voltage   |
|                               |   | Motor overload  | DC link under voltage  |
|                               |   | Output phase-to-phase short circuit   | Drive over temperature |
|                               |   | Output phase-to-ground short circuit  | External fault         |
|                               |   | Programming error   |                        |
| <b>Ambient</b>                | Temperature   | 14 - 122°F (50°C) for Frame A to D; 14 - 113°F (45°C) for Frame-E, F & G (except 720A).                               |                        |
|                               |   | 14 - 104°F (40°C) for NEMA12/IP55   |                        |
|                               | Humidity  | 2% Current derating for every 1°C above maximum temperature (limited to 10°C)<br>5-95% Non Condensing                 |                        |
|                               | Altitude  | 0-3300 ft (1000m), up to 13,200 ft (4000m)<br>with 1% output current derating per 330ft (100m) above 3300 ft (1000m). |                        |
| <b>Regulatory Conformance</b> | IEC 60146   | Semiconductor convertors  |                        |
|                               | UL 508 C  | Power Conversion Equipment  |                        |
|                               | UL 840  | Insulation coordination including clearances and creepage distances for electrical equipment.                         |                        |
|                               | EN 50178  | Electronic equipment for use in power installations   |                        |
|                               | EN 61800-2  | General requirements adjustable speed electrical power drive systems  |                        |
|                               | EN 61800-3  | EMC product standard including specific test methods adjustable speed electrical power drive systems                  |                        |
|                               | EN 61800-5-1  | Safety requirements adjustable speed electrical power drive systems   |                        |
|                               | EN 60204-1  | Safety of machinery. Electrical equipment of machines. Part 1: General requirements.                                  |                        |
|                               | RoHS and WEEE Guidelines  |   |                        |
| <b>Approvals</b>              | UL, cUL, CE, C-Tick, GOST   |   |                        |
| <b>Special Functions</b>      | Linear and "S" ramp accel and decel, local/remote control, FWD/REV selection, DC braking, manual and auto torque boost, motor slip compensation, electronic pot, two skip frequencies, maximum and minimum adjustable frequency limits, adjustable output current |   |                        |
| <b>Keypad</b>                 | 4 digit display, 2 indicator LEDs and 8 keys  |   |                        |
|                               | Readouts for: output frequency (Hz), output current (A), output voltage (V), motor torque (%) in vector mode, DC bus voltage (V), value proportional to frequency (Ex.: RPM), heatsink temperature, fault and status messages                                     |   |                        |



NON-STOCK (call for lead time)

### 100% Braking Torque at 20% Duty Cycle (12 Seconds Max. Braking Time) NEMA 1 Enclosure

| Motor Voltage | Motor HP <sup>1</sup> | CFW11 Catalog Number | Braking Resistor Catalog Number <sup>2</sup> | Rated Ohms | Rated Watts  | Dimensions (in.) HxWxD <sup>3</sup> | List Price | Multiplier New (Old) |
|---------------|-----------------------|----------------------|--|------------|--------------|-------------------------------------|------------|----------------------|
| 230 Vac       | 1 1/2                 | CFW110006B20N1Z      | CFDB2-125-224                                | 125        | 224          | 5 x 12 x 5                          | \$525      | GA (V1)              |
|               | 2                     | CFW110007B20N1Z      | CFDB2-95-298                                 | 95         | 298          | 5 x 12 x 7                          | \$825      | GA (V1)              |
|               | 2                     | CFW110007T20N1Z      | CFDB2-95-298                                 | 95         | 298          | 5 x 12 x 7                          | \$825      | GA (V1)              |
|               | 3                     | CFW110010S20N1Z      | CFDB2-63-448                                 | 63         | 448          | 5 x 12 x 7                          | \$825      | GA (V1)              |
|               | 3                     | CFW110010T20N1Z      | CFDB2-63-448                                 | 63         | 448          | 5 x 12 x 7                          | \$825      | GA (V1)              |
|               | 5                     | CFW110013T20N1Z      | CFDB2-38-746                                 | 38         | 746          | 5 x 12 x 10                         | \$1,025    | GA (V1)              |
|               | 5                     | CFW110016T20N1Z      | CFDB2-38-746                                 | 38         | 746          | 5 x 12 x 10                         | \$1,025    | GA (V1)              |
|               | 7 1/2                 | CFW110024T20N1Z      | CFDB5-26-1119                                | 26         | 1,119        | 5 x 12 x 13                         | \$1,225    | GA (V1)              |
|               | 10                    | CFW110028T20N1Z      | CFDB2-19-1492                                | 19         | 1,492        | 5 x 12 x 16                         | \$1,430    | GA (V1)              |
|               | 10                    | CFW110033T20N1Z      | CFDB2-19-1492                                | 19         | 1,492        | 5 x 12 x 16                         | \$1,430    | GA (V1)              |
|               | 15                    | CFW110045T20N1Z      | CFDB2-13-2238                                | 12.6       | 2,238        | 5 x 19 x 10                         | \$1,775    | GA (V1)              |
|               | 20                    | CFW110054T20N1Z      | CFDB2-10-2984                                | 9.6        | 2,984        | 5 x 19 x 10                         | \$1,775    | GA (V1)              |
|               | 25                    | CFW110070T20N1Z      | CFDB2-8-3730                                 | 7.5        | 3,730        | 5 x 19 x 13                         | \$2,150    | GA (V1)              |
|               | 30                    | CFW110086T20N1Z      | CFDB2-7-4476                                 | 6.3        | 4,476        | 5 x 26.5 x 13                       | \$2,780    | GA (V1)              |
|               | 40                    | CFW110105T20N1Z      | CFDB2-5-5968                                 | 4.9        | 5,968        | 5 x 26.5 x 16                       | \$3,510    | GA (V1)              |
|               | 50                    | CFW110142T20N1DBZ    | CFDB2-4-7460                                 | 3.9        | 7,460        | 10 x 28 x 10                        | \$4,095    | GA (V1)              |
|               | 60                    | CFW110180T20N1DBZ    | CFDB2-4-8952                                 | 3.3        | 8,952        | 10 x 28 x 10                        | \$4,095    | GA (V1)              |
| 75            | CFW110211T20N1DBZ     | CFDB2-3-11190        | 2.7  | 11,190     | 10 x 28 x 13 | \$6,010                             | GA (V1)    |                      |
| 460 Vac       | 2                     | CFW110003T40N1Z      | CFDB2-375-298                                | 375        | 298          | 5 x 12 x 7                          | \$825      | GA (V1)              |
|               | 3                     | CFW110005T40N1Z      | CFDB2-250-448                                | 250        | 448          | 5 x 12 x 7                          | \$825      | GA (V1)              |
|               | 5                     | CFW110007T40N1Z      | CFDB2-150-746                                | 150        | 746          | 5 x 12 x 10                         | \$1,025    | GA (V1)              |
|               | 7 1/2                 | CFW110010T40N1Z      | CFDB2-100-1119                               | 100        | 1,119        | 5 x 12 x 13                         | \$1,225    | GA (V1)              |
|               | 10                    | CFW110013T40N1Z      | CFDB2-75-1492                                | 75         | 1,492        | 5 x 12 x 16                         | \$1,430    | GA (V1)              |
|               | 10                    | CFW110017T40N1Z      | CFDB2-75-1492                                | 75         | 1,492        | 5 x 12 x 16                         | \$1,430    | GA (V1)              |
|               | 15                    | CFW110024T40N1Z      | CFDB2-50-2238                                | 50         | 2,238        | 5 x 19 x 13                         | \$1,965    | GA (V1)              |
|               | 20                    | CFW110031T40N1Z      | CFDB2-38-2984                                | 38         | 2,984        | 5 x 19 x 16                         | \$2,365    | GA (V1)              |
|               | 25                    | CFW110038T40N1Z      | CFDB2-30-3730                                | 30         | 3,730        | 5 x 26.5 x 13                       | \$2,700    | GA (V1)              |
|               | 30                    | CFW110045T40N1Z      | CFDB2-25-4476                                | 25         | 4,476        | 5 x 26.5 x 13                       | \$2,700    | GA (V1)              |
|               | 40                    | CFW110058T40N1Z      | CFDB2-19-5968                                | 19         | 5,968        | 5 x 26.5 x 16                       | \$3,155    | GA (V1)              |
|               | 50/60                 | CFW110070T40N1Z      | CFDB2-15-8952                                | 15         | 8,952        | 10 x 28 x 13                        | \$4,635    | GA (V1)              |
|               | 75                    | CFW110088T40N1Z      | CFDB2-10-11190                               | 10         | 11,190       | 10 x 28 x 16                        | \$6,050    | GA (V1)              |
|               | 75                    | CFW110105T40N1DBZ    | CFDB2-10-11190                               | 10         | 11,190       | 10 x 28 x 16                        | \$6,050    | GA (V1)              |
|               | 100/125               | CFW110142T40N1DBZ    | CFDB2-6-18650                                | 6          | 18,650       | 24 x 30 x 18                        | \$10,210   | GA (V1)              |
|               | 150                   | CFW110180T40N1DBZ    | CFDB2-5-22380                                | 5          | 22,380       | 24 x 30 x 18                        | \$12,655   | GA (V1)              |
|               | 175                   | CFW110211T40N1Z      | CFDB2-5-29840                                | 5          | 29,840       | 24 x 30 x 18                        | \$12,655   | GA (V1)              |
|               | 200                   | CFW110242T40N1Z      | CFDB2-4-29840                                | 3.8        | 29,840       | 30 x 18 x 32                        | \$12,655   | GA (V1)              |
|               | 250                   | CFW110312T40N1Z      | CFDB2-3-37300                                | 3          | 37,300       | 30 x 18 x 32                        | \$13,375   | GA (V1)              |
|               | 300                   | CFW110370T40N1Z      | CFDB2-3-44760                                | 2.5        | 44,760       | 30 x 18 x 32                        | \$16,420   | GA (V1)              |
| 350           | CFW110477T40N1Z       | CFDB2-3-52220        | 2.2  | 52,220     | 30 x 18 x 48 | \$22,835                            | GA (V1)    |                      |
| 400           | CFW110515T40N1Z       | CFDB2-2-59680        | 1.9  | 59,680     | 30 x 18 x 48 | \$23,645                            | GA (V1)    |                      |
| 500           | CFW110601T40N1Z       | CFDB2-2-74600        | 1.5  | 74,600     | 30 x 18 x 64 | \$34,205                            | GA (V1)    |                      |
| 600           | CFW110720T40N1Z       | Consult with WEG     |  |            |              |                                     |            | GA (V1)              |

Notes:

- 1) "HP" rating based on "average FLA values". Use as a guide only.
- 2) Dynamic Braking Resistors are non-stock items. Consult WEG for availability.
- 3) Dimensions are provided for estimating purposes only.

# Variable Frequency Drives



CFW11

NON-STOCK (call for lead time)

100% Braking Torque at 50% Duty Cycle (30 Seconds Max. Braking Time)  
NEMA 1 Enclosure

| Motor Voltage | Motor HP <sup>1</sup> | CFW11 Catalog Number | Braking Resistor Catalog Number <sup>2</sup> | Rated Ohms | Rated Watts      | Dimensions (in.) HxWxD <sup>3</sup> | List Price | Multiplier New (Old) |
|---------------|-----------------------|----------------------|--|------------|------------------|-------------------------------------|------------|----------------------|
| 230 Vac       | 1 1/2                 | CFW110006B20N1Z      | CFDB5-125-560                                | 125        | 560              | 5 x 12 x 10                         | \$1,025    | GA (V1)              |
|               | 2                     | CFW110007B20N1Z      | CFDB5-95-746                                 | 95         | 746              | 5 x 12 x 10                         | \$1,025    | GA (V1)              |
|               | 2                     | CFW110007T20N1Z      | CFDB5-95-746                                 | 95         | 746              | 5 x 12 x 10                         | \$1,025    | GA (V1)              |
|               | 3                     | CFW110010S20N1Z      | CFDB5-63-1119                                | 63         | 1,119            | 5 x 12 x 10                         | \$1,225    | GA (V1)              |
|               | 3                     | CFW110010T20N1Z      | CFDB5-63-1119                                | 63         | 1,119            | 5 x 12 x 10                         | \$1,225    | GA (V1)              |
|               | 5                     | CFW110013T20N1Z      | CFDB5-38-1865                                | 38         | 1,865            | 5 x 19 x 13                         | \$1,965    | GA (V1)              |
|               | 5                     | CFW110016T20N1Z      | CFDB5-38-1865                                | 38         | 1,865            | 5 x 19 x 13                         | \$1,965    | GA (V1)              |
|               | 7 1/2                 | CFW110024T20N1Z      | CFDB5-26-2798                                | 26         | 2,798            | 5 x 26.5 x 13                       | \$2,700    | GA (V1)              |
|               | 10                    | CFW110028T20N1Z      | CFDB5-19-3730                                | 19         | 3,730            | 5 x 26.5 x 13                       | \$2,700    | GA (V1)              |
|               | 10                    | CFW110033T20N1Z      | CFDB5-19-3730                                | 19         | 3,730            | 5 x 26.5 x 13                       | \$2,700    | GA (V1)              |
|               | 15                    | CFW110045T20N1Z      | CFDB5-13-5595                                | 12.6       | 5,595            | 5 x 26.5 x 16                       | \$3,155    | GA (V1)              |
|               | 20                    | CFW110054T20N1Z      | CFDB5-10-7460                                | 9.6        | 7,460            | 10 x 28 x 13                        | \$4,990    | GA (V1)              |
|               | 25                    | CFW110070T20N1Z      | CFDB5-8-9325                                 | 7.5        | 9,325            | 10 x 28 x 13                        | \$4,990    | GA (V1)              |
|               | 30                    | CFW110086T20N1Z      | CFDB5-7-11190                                | 6.3        | 11,190           | 10 x 28 x 16                        | \$5,620    | GA (V1)              |
|               | 40                    | CFW110105T20N1Z      | CFDB5-5-14920                                | 4.9        | 14,920           | 24 x 30 x 18                        | \$7,225    | GA (V1)              |
|               | 50                    | CFW110142T20N1DBZ    | CFDB5-4-18650                                | 3.9        | 18,650           | 24 x 30 x 18                        | \$11,025   | GA (V1)              |
|               | 60                    | CFW110180T20N1DBZ    | CFDB5-4-22380                                | 3.3        | 22,380           | 24 x 30 x 18                        | \$11,025   | GA (V1)              |
|               | 75                    | CFW110211T20N1DBZ    | CFDB5-3-27975                                | 2.7        | 27,975           | 32 x 30 x 18                        | \$16,420   | GA (V1)              |
| 460 Vac       | 2                     | CFW110003T40N1Z      | CFDB5-375-746                                | 375        | 746              | 5 x 12 x 13                         | \$1,225    | GA (V1)              |
|               | 3                     | CFW110005T40N1Z      | CFDB5-250-1119                               | 250        | 1,119            | 5 x 12 x 16                         | \$1,630    | GA (V1)              |
|               | 5                     | CFW110007T40N1Z      | CFDB5-150-1865                               | 150        | 1,865            | 5 x 19 x 13                         | \$1,840    | GA (V1)              |
|               | 7 1/2                 | CFW110010T40N1Z      | CFDB5-100-2798                               | 100        | 2,798            | 5 x 19 x 16                         | \$2,365    | GA (V1)              |
|               | 10                    | CFW110013T40N1Z      | CFDB5-75-3730                                | 75         | 3,730            | 5 x 26.5 x 16                       | \$3,155    | GA (V1)              |
|               | 10                    | CFW110017T40N1Z      | CFDB5-75-3730                                | 75         | 3,730            | 5 x 26.5 x 16                       | \$3,155    | GA (V1)              |
|               | 15                    | CFW110024T40N1Z      | CFDB5-50-5595                                | 50         | 5,595            | 10 x 28 x 13                        | \$4,555    | GA (V1)              |
|               | 20                    | CFW110031T40N1Z      | CFDB5-38-7460                                | 38         | 7,460            | 10 x 28 x 13                        | \$4,555    | GA (V1)              |
|               | 25                    | CFW110038T40N1Z      | CFDB5-30-9325                                | 30         | 9,325            | 10 x 28 x 16                        | \$5,050    | GA (V1)              |
|               | 30                    | CFW110045T40N1Z      | CFDB5-25-11190                               | 25         | 11,190           | 10 x 28 x 16                        | \$5,425    | GA (V1)              |
|               | 40                    | CFW110058T40N1Z      | CFDB5-19-14920                               | 19         | 14,920           | 24 x 30 x 18                        | \$9,460    | GA (V1)              |
|               | 50/60                 | CFW110070T40N1Z      | CFDB5-15-22380                               | 15         | 22,380           | 24 x 30 x 18                        | \$10,865   | GA (V1)              |
|               | 75                    | CFW110088T40N1Z      | CFDB5-10-27975                               | 10         | 27,975           | 32 x 30 x 18                        | \$15,605   | GA (V1)              |
|               | 75                    | CFW110105T40N1DBZ    | CFDB5-10-27975                               | 10         | 27,975           | 32 x 30 x 18                        | \$15,605   | GA (V1)              |
|               | 100/125               | CFW110142T40N1DBZ    | CFDB5-8-46625                                | 8          | 46,625           | 32 x 30 x 18                        | \$20,600   | GA (V1)              |
|               | 150                   | CFW110180T40N1DBZ    | CFDB5-5-55950                                | 5          | 55,950           | 48 x 30 x 18                        | \$20,070   | GA (V1)              |
|               | 175                   | CFW110211T40N1DBZ    | CFDB5-5-74600                                | 5          | 74,600           | 72 x 30 x 18                        | \$33,780   | GA (V1)              |
|               | 200                   | CFW110242T40N1Z      | CFDB5-4-74600                                | 3.8        | 74,600           | 30 x 18 x 72                        | \$33,780   | GA (V1)              |
|               | 250                   | CFW110312T40N1Z      | CFDB5-3-93250                                | 3          | 93,250           | 30 x 18 x 72                        | \$33,780   | GA (V1)              |
|               | 300                   | CFW110370T40N1Z      | CFDB5-3-111900                               | 2.5        | 111,900          | (2) 30 x 18 x 56                    | \$57,595   | GA (V1)              |
| 350           | CFW110477T40N1Z       | CFDB5-3-130550       | 2.2  | 130,550    | (2) 30 x 18 x 56 | \$57,595                            | GA (V1)    |                      |
| 400           | CFW110515T40N1Z       | CFDB5-2-149200       | 1.9  | 149,200    | (2) 30 x 18 x 56 | \$78,115                            | GA (V1)    |                      |
| 500           | CFW110601T40N1Z       | CFDB5-2-186500       | 1.5  | 186,500    | (2) 30 x 18 x 56 | \$78,115                            | GA (V1)    |                      |
| 600           | CFW110720T40N1Z       | Consult with WEG     |  |            |                  |                                     |            | GA (V1)              |

Notes:

- 1) "HP" rating based on "average FLA values". Use as a guide only.
- 2) Dynamic Braking Resistors are non-stock items. Consult WEG for availability.
- 3) Dimensions are provided for estimating purposes only.





NON-STOCK (call for lead time)

### 3% Z (Impedance) - NEMA 1 Enclosure

| Motor Voltage | Motor HP                                       | Reactor Amps | Catalog Number  | Dimensions (in.) <sup>1</sup><br>HxWxD | Approx. Weight (lbs.) <sup>1</sup> | List Price | Multiplier<br>New (Old) |
|---------------|--|--------------|-----------------|--|------------------------------------|------------|-------------------------|
| 230 Vac       | <b>Input Power Supply: Three-Phase 230 Vac</b> |              |                 |  |                                    |            |                         |
|               | 3  | 12           | LRW012D3N1      | 8 x 8 x 6                              | 16                                 | \$671      | GA (V1)                 |
|               | 5  | 18           | LRW018D3N1      | 8 x 8 x 6                              | 16                                 | \$790      | GA (V1)                 |
|               | 7 1/2  | 25           | LRW025D3N1      | 13 x 13.3 x 13.1                       | 42                                 | \$910      | GA (V1)                 |
|               | 10   | 35           | LRW035D3N1      | 13 x 13.3 x 13.1                       | 45                                 | \$972      | GA (V1)                 |
|               | 15   | 45           | LRW045D3N1      | 13 x 13.3 x 13.1                       | 54                                 | \$1,162    | GA (V1)                 |
|               | 20   | 55           | LRW055D3N1      | 13 x 13.3 x 13.1                       | 55                                 | \$1,371    | GA (V1)                 |
|               | 25 / 30  | 80           | LRW080D3N1      | 13 x 13.3 x 13.1                       | 74                                 | \$1,396    | GA (V1)                 |
|               | 40   | 100          | LRW100D3N1      | 13 x 13.3 x 13.1                       | 78                                 | \$1,671    | GA (V1)                 |
|               | 50   | 130          | LRW130D3N1      | 13 x 13.3 x 13.1                       | 60                                 | \$1,807    | GA (V1)                 |
| 460 Vac       | <b>Input Power Supply: Three-Phase 460 Vac</b> |              |                 |  |                                    |            |                         |
|               | 1 1/2  | 2            | LRW002G3N1      | 8 x 8 x 6                              | 11                                 | \$595      | GA (V1)                 |
|               | 2, 3   | 4            | LRW004G3N1      | 8 x 8 x 6                              | 11                                 | \$612      | GA (V1)                 |
|               | 5  | 8            | LRW008G3N1      | 8 x 8 x 6                              | 14                                 | \$656      | GA (V1)                 |
|               | 7 1/2  | 12           | LRW012G3N1      | 8 x 8 x 6                              | 16                                 | \$693      | GA (V1)                 |
|               | 10   | 18           | LRW018G3N1      | 8 x 8 x 6                              | 16                                 | \$803      | GA (V1)                 |
|               | 15   | 25           | LRW025G3N1      | 13 x 13.3 x 13.1                       | 42                                 | \$972      | GA (V1)                 |
|               | 20 / 25  | 35           | LRW035G3N1      | 13 x 13.3 x 13.1                       | 45                                 | \$1,007    | GA (V1)                 |
|               | 30   | 45           | LRW045G3N1      | 13 x 13.3 x 13.1                       | 54                                 | \$1,315    | GA (V1)                 |
|               | 40   | 55           | LRW055G3N1      | 13 x 13.3 x 13.1                       | 55                                 | \$1,460    | GA (V1)                 |
| 460 Vac       | 50 / 60  | 80           | LRW080G3N1      | 13 x 13.3 x 13.1                       | 60                                 | \$1,815    | GA (V1)                 |
|               | 75   | 100          | LRW100G3N1      | 13 x 13.3 x 13.1                       | 71                                 | \$1,797    | GA (V1)                 |
|               | 100  | 130          | LRW130G3N1      | 13 x 13.3 x 13.1                       | 74                                 | \$2,257    | GA (V1)                 |
|               | 125  | 160          | LRW160G3N1      | 13 x 13.3 x 13.1                       | 48                                 | \$3,064    | GA (V1)                 |
|               | 150  | 200          | LRW200G3N1      | 13 x 13.3 x 13.1                       | 79                                 | \$2,702    | GA (V1)                 |
|               | 200  | 250          | LRW250G3N1      | 24 x 18.4 x 16.8                       | 99                                 | \$4,592    | GA (V1)                 |
|               | 250  | 320          | LRW320G3N1      | 24 x 18.4 x 16.8                       | 155                                | \$4,967    | GA (V1)                 |
|               | 300  | 400          | LRW400G3N1      | 24 x 18.4 x 16.8                       | 155                                | \$7,548    | GA (V1)                 |
|               | 350 / 400                                      | 500          | LRW500G3N1      | 47 x 26.5 x 24.9                       | 165                                | \$10,294   | GA (V1)                 |
|               | 450 / 500                                      | 600          | LRW600G3N1      | 47 x 26.5 x 24.9                       | 205                                | \$11,145   | GA (V1)                 |
| 750 / 800     | 1000   | LRW1000G3N1  | Consult Factory |  | \$19,990                           | GA (V1)    |                         |

Notes:  
 1) Dimensions and weights are provided for estimating purposes only.

## CFW11M - Modular Drive

New generation of WEG variable frequency drives for high power ratings, ranging from 450HP-2500HP to with line voltage from 380V to 690V.

### Standard Features:

- CFW11M
- Circuit Breaker with through door handle
- Line Reactor
- 6 pulse Rectifier Bridge
- High Speed fuses on DC Link
- Control Power Transformer
- Standard Enclosure NEMA 12 filtered
- Pre-charge circuit
- Start/Stop push buttons
- E-stop
- Graphic keypad
- All circuit boards conformal coated



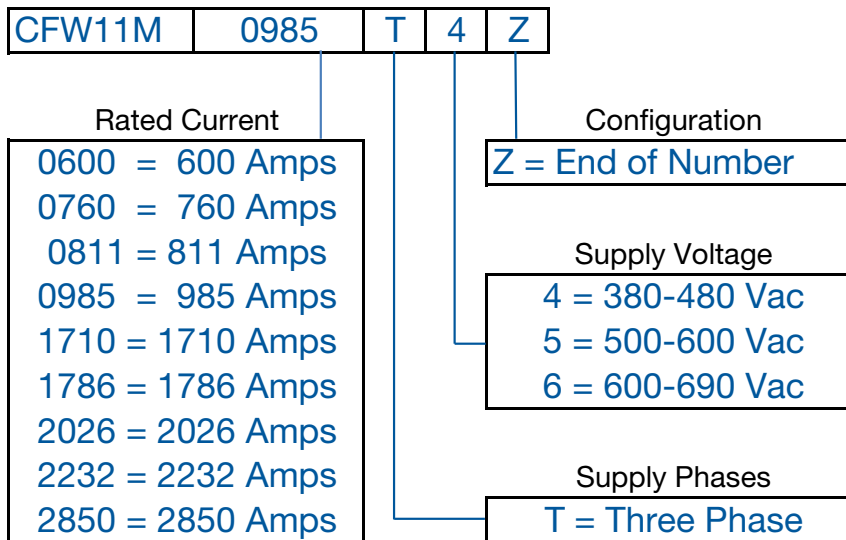
### Optional Features

- 12 and 18 pulse available
- NEMA 3R
- NEMA 4 or NEMA 4X - with air conditioning
- Temperature monitoring for RTD sensors

### Applications

- Pumps
- Fans/Blowers
- Conveyers
- Compressors
- Agitators and Mixers
- Extruders
- Grizzly Feeders
- Centrifuges
- Cranes and Hoists
- Rollout Tables
- Presses
- Saws

### CFW11M Catalog Number Sequence



*Table intended as reference only and not to create part numbers.*

INDEX  
WARRANTY INFO  
CFW100 G2  
CFW300  
CFW500 G2  
CFW500 G1  
CFW700  
CFW11  
CFW11M  
PUMP GENIUS  
CFW501  
CFW701  
SSW05  
SSW07  
SSW900  
SSW7000  
EDP11  
GPH2  
APB9  
MFM

# Variable Frequency Drives



## CFW11M

### Modular Drive in NEMA 12 Enclosure

| Motor Voltage                                      | Motor HP <sup>2</sup> | Drive Amps <sup>3</sup> | Motor HP <sup>2</sup> | Drive Amps <sup>3</sup> | Catalog Number | Rectifier <sup>4</sup> Type (Pulses) | Dimensions (in.) <sup>5</sup> HxWxD | List Price              | Multiplier |
|--|-----------------------|-------------------------|-----------------------|-------------------------|----------------|--------------------------------------|-------------------------------------|-------------------------|------------|
|  | ND / VT <sup>1</sup>  |                         | HD / CT <sup>1</sup>  |                         |                |                                      |                                     |                         |            |
| <b>Input Power Supply: Three-Phase 380-480 Vac</b> |                       |                         |                       |                         |                |                                      |                                     |                         |            |
| 380-480 Vac  | 500                   | 600                     | 450                   | 515                     | CFW11M0600T4Z  | 6 or 12                              | 104 x 72 x 32                       | Contact WEG for Pricing |            |
|  | 600                   | 760                     | 500                   | 600                     | CFW11M0760T4Z  | 6 or 12                              | 104 x 72 x 32                       |                         |            |
|  | 700                   | 865                     | 600                   | 700                     | CFW11M0865T4Z  | 6 or 12                              | 104 x 72 x 32                       |                         |            |
|  | 800                   | 985                     | 700                   | 800                     | CFW11M0985T4Z  | 6 or 12                              | 104 x 72 x 32                       |                         |            |
|  | 1000                  | 1140                    | 800                   | 979                     | CFW11M1140T4Z  | 6 or 12                              | 104 x 72 x 32                       |                         |            |
|  | 1500                  | 1710                    | 1200                  | 1468                    | CFW11M1710T4Z  | 6 or 12                              | 104 x 96 x 34                       |                         |            |
|  | 2000                  | 2280                    | 1600                  | 1957                    | CFW11M2280T4Z  | 6 or 12                              | 104 x 112 x 34                      |                         |            |
|  | 2500                  | 2850                    | 2000                  | 2446                    | CFW11M2850T4Z  | 6 or 12                              | 104 x 128 x 34                      |                         |            |
| <b>Input Power Supply: Three-Phase 500-600 Vac</b> |                       |                         |                       |                         |                |                                      |                                     |                         |            |
| 500-600 Vac  | 500                   | 470                     | 400                   | 380                     | CFW11M0470T5Z  | 6 or 12                              | 104 x 72 x 34                       | Contact WEG for Pricing |            |
|  | 1000                  | 893                     | 800                   | 722                     | CFW11M0893T5Z  | 6 or 12                              | 104 x 72 x 34                       |                         |            |
|  | 1500                  | 1340                    | 1250                  | 1083                    | CFW11M1340T5Z  | 6 or 12                              | 104 x 96 x 34                       |                         |            |
|  | 2000                  | 1786                    | 1600                  | 1444                    | CFW11M1786T5Z  | 6 or 12                              | 104 x 112 x 34                      |                         |            |
|  | 2500                  | 2232                    | 2000                  | 1805                    | CFW11M2232T5Z  | 6 or 12                              | 104 x 128 x 34                      |                         |            |
| <b>Input Power Supply: Three-Phase 660-690 Vac</b> |                       |                         |                       |                         |                |                                      |                                     |                         |            |
| 660-690 Vac  | 500                   | 427                     | 400                   | 340                     | CFW11M0427T6Z  | 6 or 12                              | 104 x 72 x 34                       | Contact WEG for Pricing |            |
|  | 1000                  | 811                     | 800                   | 646                     | CFW11M0811T6Z  | 6 or 12                              | 104 x 72 x 34                       |                         |            |
|  | 1500                  | 1217                    | 1250                  | 969                     | CFW11M1217T6Z  | 6 or 12                              | 104 x 96 x 34                       |                         |            |
|  | 2000                  | 1622                    | 1600                  | 1292                    | CFW11M1622T6Z  | 6 or 12                              | 104 x 112 x 34                      |                         |            |
|  | 2500                  | 2028                    | 2000                  | 1615                    | CFW11M2028T6Z  | 6 or 12                              | 104 x 128 x 34                      |                         |            |

**Notes:**

- 1) CT = Constant Torque, 150% overload / 60 sec.; VT = Variable Torque (Quadratic Load), 110% overload / 60 sec.
- 2) "HP" rating based on "average FLA values". Use as a guide only. Motor FLA may vary with speed and manufacturer.
- 3) ALWAYS compare motor FLA to Nominal AMPS of drive.
- 4) 6-Pulse configuration is Standard; 12-Pulse configuration is Optional
- 5) Dimensions and weights are for estimating purposes only. Only use "AS BUILT" drawings for construction. For other technical data please refer to WEG product manual.

Consult factory for individual module pricing

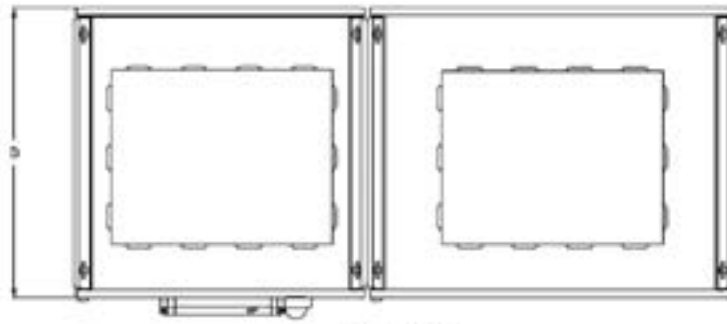
### Power Unit

Compact modular drive that can be configured to the applicable motor power ratings.

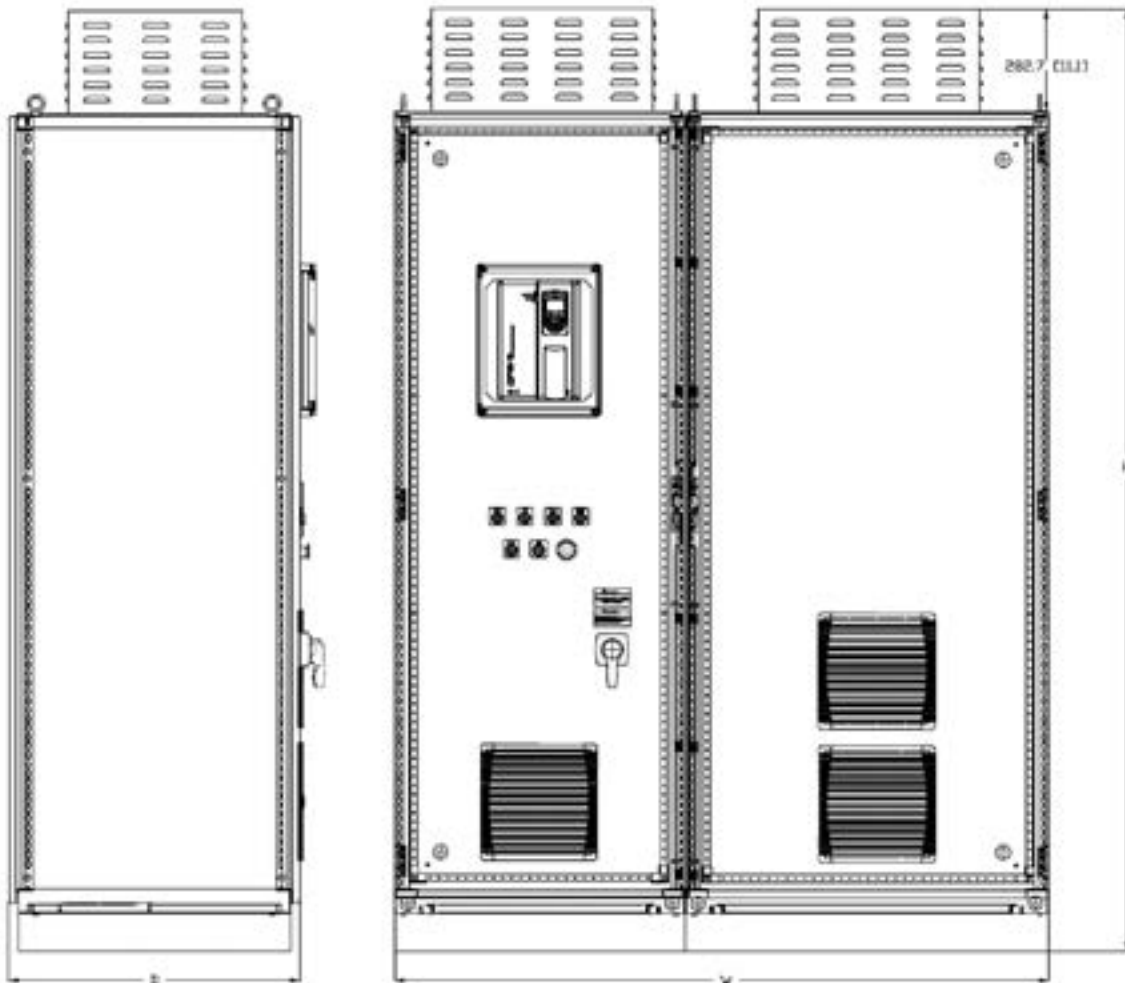
- Easy servicing
- Configurable up to 5 power units
- DC supplied by an input rectifier
- Compact book format (width much smaller than the depth)
- Rack mounted



### Freestanding Enclosure



TOP VIEW



LEFT SIDE VIEW

FRONT VIEW

## PUMP GENIUS™

The WEG Pump Genius™ variable frequency drive software is designed to reduce system operation and maintenance costs while increasing pump process accuracy and protection. Pump Genius™ offers simplex or multiplex pump control while providing monitoring and protection for the pump system.

Pump Genius™ can be applied to any pump system that requires constant flow or pressure control.

- Reduce System Component Cost
- Improve System Reliability
- Reduce Maintenance Costs
- Eliminate Costly Control Panels
- Reduce System Energy Requirements
- Reduce Overall Installation Costs



PC Software - Download from [www.weg.net](http://www.weg.net)

### Performance Features

- 2-75 HP @ 230 Vac and 2-600 HP @ 480 Vac
- Overload capacity
- ND - 110% for 60 sec.
- HD - 150% for 60 sec.
- Adjustable accel/decel: 0.0 to 900.0 Sec.
- Controlled speed range: 1:20
- Critical frequency rejection: 3 selectable, adjustable bands
- Torque-limiting: 30-180%
- Torque boost: full range, automatic
- Power loss ride-thru: 2 sec
- Fault Auto-Reset with programmable time interval
- Feedback signal loss detection
- Serial communications loss detection
- "Up / Down" floating point control capability (PI)
- Pump Sleep function
- Run-permissive input

### Pump Control Features

- Simplex or Multiplex Control
- Operator Keypad with intuitive pump language
- Local/Remote Control
- Jockey Pump Control
- Process feedback in engineering units
- Direct/Reverse PID Control Selection
- Control Set point by VFD Keypad, Analog Input, a combination of Digital Inputs, Communication command or based on weekly schedule
- Sleep Boost Mode
- Sleep Mode and Wake-Up Mode
- Pipe Charging
- Deragging function
- No Flow Detection
- Forced Rotation

### Drive and Motor Protective Features

- Current-limited stall prevention
- Heat sink over-temperature, speed fold-back
- Bi-directional start into rotating motor
- Optically-isolated controls
- Short circuit protection: Phase-phase and phase-neutral
- Ground fault protection
- Short circuit withstand rating: 100KA RMS with Fuses
- Electronic motor overload: UL
- Current limit
- Fault display: last 10 faults
- Over torque and under torque protection

### Pump Protective Features

- Dry Pump
- Air in System
- Blocked Impeller
- Pump over Cycling
- No Flow Protection
- Loss of Prime
- Transducer Loss
- Over Torque
- Anti-Cavitation



- INDEX
- WARRANTY INFO
- CFW100 G2
- CFW300
- CFW500 G2
- CFW500 G1
- CFW700
- CFW11
- CFW11M
- PUMP GENIUS
- CFW501
- CFW701
- SSW05
- SSW07
- SSW900
- SSW7000
- EDP11
- GPH2
- APS9
- MFM

## Pump Genius

### Operation

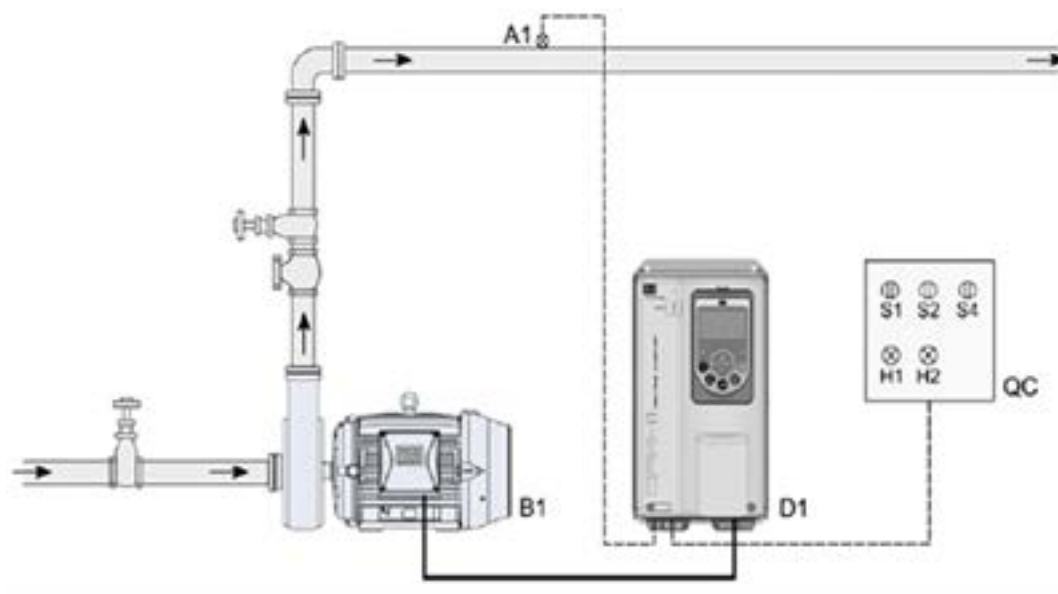
Pump Genius™ works with the WEG CFW11 drive to control pump system processes. Monitoring system pressure or flow, it adjusts pump speed to meet pumping requirements.

## PUMP GENIUS™ SIMPLEX (SINGLE PUMP CONTROL)

### Pump Genius™ Simplex Operation

The Pump Genius™ Simplex software monitors the system pressure or flow from a feedback device and maintains it at the control set point.

- Motor faults are monitored and alarmed
- Drive faults are monitored and alarmed
- Feedback Signal Lost / Broken Wire detected and alarmed
- Provides control for a single (1) pump operation



Pump Genius™ - Simplex Configuration





### Single Drive Pump System

| Motor Voltage | ND / VT 1  |              | HD / CT 1  |                     | Catalog Number      | Braking Transistor | Frame Size         | Dimensions (in.) HxWxD | Approx. Weight (lbs.) | List Price | Multiplier |
|---------------|--|--------------|------------|---------------------|---------------------|--------------------|--------------------|------------------------|-----------------------|------------|------------|
|               | Motor HP 2   | Drive Amps 3 | Motor HP 2 | Drive Amps 3        |                     |                    |                    |                        |                       |            |            |
| 230 Vac       | <b>Input Power Supply: Single or Three-Phase 200-240 Vac with Dynamic Braking Transistor</b> |              |            |                     |                     |                    |                    |                        |                       |            |            |
|               | 1 1/2  | 6.0          | 1 1/2      | 5.0                 | CFW110006B20N1Z-PGS | Yes                | A                  | 12.1 x 5.8 x 9.0       | 13.9                  | \$1,779    | V4         |
|               | 2  | 7.0          | 2          | 7.0                 | CFW110007B20N1Z-PGS | Yes                | A                  | 12.1 x 5.8 x 9.0       | 13.9                  | \$1,851    | V4         |
|               | <b>Input Power Supply: Single-Phase 200-240 Vac with Dynamic Braking Transistor</b>          |              |            |                     |                     |                    |                    |                        |                       |            |            |
|               | 3  | 10           | 3          | 10                  | CFW110010S20N1Z-PGS | Yes                | A                  | 12.1 x 5.8 x 9.0       | 13.9                  | \$1,947    | V4         |
|               | <b>Input Power Supply: Three-Phase 200-240 Vac with Dynamic Braking Transistor</b>           |              |            |                     |                     |                    |                    |                        |                       |            |            |
|               | 2  | 7.0          | 1 1/2      | 5.5                 | CFW110007T20N1Z-PGS | Yes                | A                  | 12.1 x 5.8 x 9.0       | 13.9                  | \$1,755    | V4         |
|               | 3  | 10           | 2          | 8.0                 | CFW110010T20N1Z-PGS | Yes                | A                  | 12.1 x 5.8 x 9.0       | 13.9                  | \$1,827    | V4         |
|               | 5  | 13           | 3          | 11                  | CFW110013T20N1Z-PGS | Yes                | A                  | 12.1 x 5.8 x 9.0       | 13.9                  | \$1,863    | V4         |
|               | 5  | 16           | 5          | 13                  | CFW110016T20N1Z-PGS | Yes                | A                  | 12.1 x 5.8 x 9.0       | 13.9                  | \$1,985    | V4         |
|               | 7 1/2  | 24           | 7 1/2      | 20                  | CFW110024T20N1Z-PGS | Yes                | B                  | 13.9 x 7.5 x 9.0       | 23                    | \$2,559    | V4         |
|               | 10   | 28           | 10         | 24                  | CFW110028T20N1Z-PGS | Yes                | B                  | 13.9 x 7.5 x 9.0       | 23                    | \$2,776    | V4         |
|               | 10   | 34           | 10         | 28                  | CFW110033T20N1Z-PGS | Yes                | B                  | 13.9 x 7.5 x 9.0       | 23                    | \$3,325    | V4         |
|               | 15   | 45           | 15         | 36                  | CFW110045T20N1Z-PGS | Yes                | C                  | 17.7 x 8.7 x 11.5      | 46                    | \$3,776    | V4         |
|               | 20   | 54           | 20         | 45                  | CFW110054T20N1Z-PGS | Yes                | C                  | 17.7 x 8.7 x 11.5      | 46                    | \$4,535    | V4         |
|               | 25   | 70           | 20         | 56                  | CFW110070T20N1Z-PGS | Yes                | C                  | 17.7 x 8.7 x 11.5      | 46                    | \$6,735    | V4         |
|               | 30   | 86           | 25         | 70                  | CFW110086T20N1Z-PGS | Yes                | D                  | 19.9 x 11.9 x 12.0     | 72                    | \$7,357    | V4         |
|               | 40   | 105          | 30         | 86                  | CFW110105T20N1Z-PGS | Yes                | D                  | 19.9 x 11.9 x 12.0     | 72                    | \$9,135    | V4         |
|               | <b>Input Power Supply: Three-Phase 200-240 Vac without Dynamic Braking Transistor</b>        |              |            |                     |                     |                    |                    |                        |                       |            |            |
|               | 50   | 142          | 40         | 115                 | CFW110142T20N1Z-PGS | No                 | E <sup>4</sup>     | 26.6 x 13.2 x 14.1     | 144                   | \$11,784   | V4         |
| 60            | 180  | 50           | 142        | CFW110180T20N1Z-PGS | No                  | E <sup>4</sup>     | 26.6 x 13.2 x 14.1 | 144                    | \$15,260              | V4         |            |
| 75            | 211  | 60           | 180        | CFW110211T20N1Z-PGS | No                  | E <sup>4</sup>     | 26.6 x 13.2 x 14.1 | 144                    | \$21,695              | V4         |            |

continued on next page

INDEX  
 WARRANTY INFO  
 CFW100 G2  
 CFW300  
 CFW500 G2  
 CFW500 G1  
 CFW700  
 CFW11  
 CFW11M  
 PUMP GENIUS  
 CFW501  
 CFW701  
 SSW05  
 SSW07  
 SSW900  
 SSW7000  
 EDP11  
 GPH2  
 APS9  
 MFM

# Variable Frequency Drives



## Pump Genius

### Single Drive Pump System - continued

| Input Power Supply: Three-Phase 380-480 Vac with Dynamic Braking Transistor |  |         |       |                     |                     |                  |                    |                    |          |          |    |  |
|---|--|---------|-------|---------------------|---------------------|------------------|--------------------|--------------------|----------|----------|----|--|
| 460 Vac   | 2  | 3.6     | 2     | 3.6                 | CFW110003T40N1Z-PGS | Yes              | A                  | 12.1 x 5.8 x 9.0   | 13.9     | \$1,751  | V4 |  |
|   | 3  | 5.0     | 3     | 5.0                 | CFW110005T40N1Z-PGS | Yes              | A                  | 12.1 x 5.8 x 9.0   | 13.9     | \$1,785  | V4 |  |
|   | 5  | 7.0     | 3     | 5.5                 | CFW110007T40N1Z-PGS | Yes              | A                  | 12.1 x 5.8 x 9.0   | 13.9     | \$1,847  | V4 |  |
|   | 7 1/2  | 10      | 5     | 10                  | CFW110010T40N1Z-PGS | Yes              | A                  | 12.1 x 5.8 x 9.0   | 13.9     | \$2,104  | V4 |  |
|   | 10   | 13.5    | 7 1/2 | 11                  | CFW110013T40N1Z-PGS | Yes              | A                  | 12.1 x 5.8 x 9.0   | 13.9     | \$2,203  | V4 |  |
|   | 10   | 17      | 10    | 13.5                | CFW110017T40N1Z-PGS | Yes              | B                  | 13.9 x 7.5 x 9.0   | 23       | \$2,665  | V4 |  |
|   | 15   | 24      | 10    | 19                  | CFW110024T40N1Z-PGS | Yes              | B                  | 13.9 x 7.5 x 9.0   | 23       | \$3,127  | V4 |  |
|   | 20   | 31      | 15    | 25                  | CFW110031T40N1Z-PGS | Yes              | B                  | 13.9 x 7.5 x 9.0   | 23       | \$4,008  | V4 |  |
|   | 25   | 38      | 20    | 33                  | CFW110038T40N1Z-PGS | Yes              | C                  | 17.7 x 8.7 x 11.5  | 46       | \$4,435  | V4 |  |
|   | 30   | 45      | 25    | 38                  | CFW110045T40N1Z-PGS | Yes              | C                  | 17.7 x 8.7 x 11.5  | 46       | \$5,535  | V4 |  |
|   | 40   | 58.5    | 30    | 47                  | CFW110058T40N1Z-PGS | Yes              | C                  | 17.7 x 8.7 x 11.5  | 46       | \$6,768  | V4 |  |
|   | 50/60  | 70.5    | 40    | 61                  | CFW110070T40N1Z-PGS | Yes              | D                  | 19.9 x 11.9 x 12.0 | 72       | \$7,635  | V4 |  |
|   | 60/75  | 88      | 50    | 73                  | CFW110088T40N1Z-PGS | Yes              | D                  | 19.9 x 11.9 x 12.0 | 72       | \$9,035  | V4 |  |
|   | Input Power Supply: Three-Phase 380-480 Vac without Dynamic Braking Transistor |         |       |                     |                     |                  |                    |                    |          |          |    |  |
|   | 75   | 105     | 75    | 88                  | CFW110105T40N1Z-PGS | No               | E <sup>4</sup>     | 26.6 x 13.2 x 14.1 | 144      | \$10,785 | V4 |  |
|   | 100/125  | 142     | 75    | 115                 | CFW110142T40N1Z-PGS | No               | E <sup>4</sup>     | 26.6 x 13.2 x 14.1 | 144      | \$12,635 | V4 |  |
| 150   | 180  | 100/125 | 142   | CFW110180T40N1Z-PGS | No                  | E <sup>4</sup>   | 26.6 x 13.2 x 14.1 | 144                | \$17,635 | V4       |    |  |
| 175   | 211  | 150     | 180   | CFW110211T40N1Z-PGS | No                  | E <sup>4</sup>   | 26.6 x 13.2 x 14.1 | 144                | \$21,135 | V4       |    |  |
| 200   | 242  | 150     | 211   | CFW110242T4SZ-PGS   | No                  | F <sup>4,5</sup> | 48.6 x 16.9 x 14.2 | 309                | \$23,135 | V4       |    |  |
| 250   | 312  | 200     | 242   | CFW110312T4SZ-PGS   | No                  | F <sup>4,5</sup> | 48.6 x 16.9 x 14.2 | 309                | \$29,501 | V4       |    |  |
| 300   | 370  | 250     | 312   | CFW110370T4SZ-PGS   | No                  | F <sup>4,5</sup> | 48.6 x 16.9 x 14.2 | 309                | \$31,449 | V4       |    |  |
| 400   | 477  | 300     | 370   | CFW110477T4SZ-PGS   | No                  | F <sup>4,5</sup> | 48.6 x 16.9 x 14.2 | 309                | \$41,162 | V4       |    |  |
| 450   | 515  | 400     | 477   | CFW110515T4SZ-PGS   | No                  | G <sup>4,5</sup> | 50 x 21.1 x 16.8   | 474                | \$44,105 | V4       |    |  |
| 500   | 601  | 450     | 515   | CFW110601T4SZ-PGS   | No                  | G <sup>4,5</sup> | 50 x 21.1 x 16.8   | 474                | \$50,223 | V4       |    |  |
| 600   | 720  | 500     | 560   | CFW110720T4SZ-PGS   | No                  | G <sup>4,5</sup> | 50 x 21.1 x 16.8   | 474                | \$59,465 | V4       |    |  |

Notes:

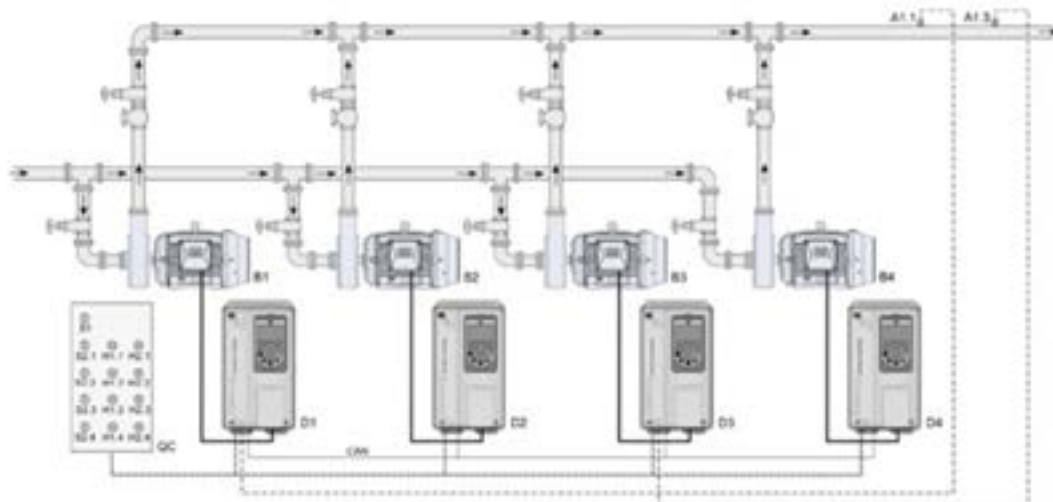
- 1) CT = Constant Torque, 150% overload / 60 sec.; VT = Variable Torque (Quadratic Load), 110% overload / 60 sec.
  - 2) "HP" rating based on "average FLA values". Use as a guide only.
  - 3) Motor FLA may vary with speed and manufacturer. ALWAYS compare motor FLA to Nominal AMPS of drive.
  - 4) Maximum 45°C ambient temperature without derating
  - 5) IP20 enclosure protection level
- For other technical data please refer to WEG product manual.

### Pump Genius™ - Multiplex (Multiple Pump System Control)

#### Pump Genius™ - Multiplex Operation

The Pump Genius™ - Multiplex software monitors the system pressure or flow from a feedback device and maintains it at the control set point. The pumps are cycled on and off based on the accumulated run times to ensure even wear, increasing equipment reliability while extending the life span of the system. How it works:

- A minimum of one (1) VFD in the system is programmed as “Master/Slave”. This “Master/Slave” VFD has the capability to control the entire multiplex pump system (up to five (5) VFDs). Each “Master/Slave” VFD needs an analog feedback from the process (pressure or flow) connected to its respective analog input.
- Any VFDs in the system that are not programmed for “Master/Slave” operation will be set up in “Slave” mode and will follow commands from the lead “Master/Slave” VFD. A VFD set up as “Slave” is not capable of controlling the Pump Genius™ system.
- To establish a redundant pump configuration, at least two (2) VFDs need to be programmed as “Master/Slave”. The lead “Master/Slave” VFD will control the entire system and the following operating sequence will be followed:
  - The Pump and Motor with the least run time will be the first to start.
  - The Pump and Motor with the highest run time will be the first to stop.
  - A fault condition in the lead VFD such as ‘Communication Loss’, ‘Feedback Signal Lost / Broken Wire’, or a ‘Drive Fault’ will cause the pump system to transfer control to another “Master/Slave” VFD and the pump system will restart.
- VFDs ordered using the “Pump Genius™ - Multiplex” (CFW11xxxxxxZ-PGM) part number are provided with an RS-485 communication module and the ‘Multiplex’ version of Pump Genius™ software installed in the VFD.



Pump Genius™ Multiplex Configuration

INDEX  
 WARRANTY INFO  
 CFW100 G2  
 CFW300  
 CFW500 G2  
 CFW500 G1  
 CFW700  
 CFW11  
 CFW11M  
 PUMP GENIUS  
 CFW501  
 CFW701  
 SSW05  
 SSW07  
 SSW900  
 SSW7000  
 EDP11  
 GPH2  
 APS9  
 MFM

# Variable Frequency Drives



## Pump Genius

### Multi Drive Pump System (includes RS-485 communication card installed)

| Motor Voltage | ND / VT <sup>1</sup>   |                         | HD / CT <sup>1</sup>  |                         | Catalog Number      | Braking Transistor | Frame Size         | Dimensions (in.) HxWxD | Approx. Weight (lbs.) | List Price | Multiplier |
|---------------|--|-------------------------|-----------------------|-------------------------|---------------------|--------------------|--------------------|------------------------|-----------------------|------------|------------|
|               | Motor HP <sup>2</sup>  | Drive Amps <sup>3</sup> | Motor HP <sup>2</sup> | Drive Amps <sup>3</sup> |                     |                    |                    |                        |                       |            |            |
| 230 Vac       | <b>Input Power Supply: Single or Three-Phase 200-240 Vac with Dynamic Braking Transistor</b> |                         |                       |                         |                     |                    |                    |                        |                       |            |            |
|               | 1 1/2  | 6.0                     | 1 1/2                 | 5.0                     | CFW110006B20N1Z-PGM | Yes                | A                  | 12.1 x 5.8 x 9.0       | 13.9                  | \$2,019    | V4         |
|               | 2  | 7.0                     | 2                     | 7.0                     | CFW110007B20N1Z-PGM | Yes                | A                  | 12.1 x 5.8 x 9.0       | 13.9                  | \$2,091    | V4         |
|               | <b>Input Power Supply: Single-Phase 200-240 Vac with Dynamic Braking Transistor</b>          |                         |                       |                         |                     |                    |                    |                        |                       |            |            |
|               | 3  | 10                      | 3                     | 10                      | CFW110010S20N1Z-PGM | Yes                | A                  | 12.1 x 5.8 x 9.0       | 13.9                  | \$2,187    | V4         |
|               | <b>Input Power Supply: Three-Phase 200-240 Vac with Dynamic Braking Transistor</b>           |                         |                       |                         |                     |                    |                    |                        |                       |            |            |
|               | 2  | 7.0                     | 1 1/2                 | 5.5                     | CFW110007T20N1Z-PGM | Yes                | A                  | 12.1 x 5.8 x 9.0       | 13.9                  | \$1,995    | V4         |
|               | 3  | 10                      | 2                     | 8.0                     | CFW110010T20N1Z-PGM | Yes                | A                  | 12.1 x 5.8 x 9.0       | 13.9                  | \$2,067    | V4         |
|               | 5  | 13                      | 3                     | 11                      | CFW110013T20N1Z-PGM | Yes                | A                  | 12.1 x 5.8 x 9.0       | 13.9                  | \$2,103    | V4         |
|               | 5  | 16                      | 5                     | 13                      | CFW110016T20N1Z-PGM | Yes                | A                  | 12.1 x 5.8 x 9.0       | 13.9                  | \$2,225    | V4         |
|               | 7 1/2  | 24                      | 7 1/2                 | 20                      | CFW110024T20N1Z-PGM | Yes                | B                  | 13.9 x 7.5 x 9.0       | 23                    | \$2,799    | V4         |
|               | 10   | 28                      | 10                    | 24                      | CFW110028T20N1Z-PGM | Yes                | B                  | 13.9 x 7.5 x 9.0       | 23                    | \$3,016    | V4         |
|               | 10   | 34                      | 10                    | 28                      | CFW110033T20N1Z-PGM | Yes                | B                  | 13.9 x 7.5 x 9.0       | 23                    | \$3,565    | V4         |
|               | 15   | 45                      | 15                    | 36                      | CFW110045T20N1Z-PGM | Yes                | C                  | 17.7 x 8.7 x 11.5      | 46                    | \$4,016    | V4         |
|               | 20   | 54                      | 20                    | 45                      | CFW110054T20N1Z-PGM | Yes                | C                  | 17.7 x 8.7 x 11.5      | 46                    | \$4,775    | V4         |
|               | 25   | 70                      | 20                    | 56                      | CFW110070T20N1Z-PGM | Yes                | C                  | 17.7 x 8.7 x 11.5      | 46                    | \$6,975    | V4         |
|               | 30   | 86                      | 25                    | 70                      | CFW110086T20N1Z-PGM | Yes                | D                  | 19.9 x 11.9 x 12.0     | 72                    | \$7,597    | V4         |
|               | 40   | 105                     | 30                    | 86                      | CFW110105T20N1Z-PGM | Yes                | D                  | 19.9 x 11.9 x 12.0     | 72                    | \$9,375    | V4         |
|               | <b>Input Power Supply: Three-Phase 200-240 Vac without Dynamic Braking Transistor</b>        |                         |                       |                         |                     |                    |                    |                        |                       |            |            |
|               | 50   | 142                     | 40                    | 115                     | CFW110142T20N1Z-PGM | No                 | E <sup>4</sup>     | 26.6 x 13.2 x 14.1     | 144                   | \$12,024   | V4         |
| 60            | 180  | 50                      | 142                   | CFW110180T20N1Z-PGM     | No                  | E <sup>4</sup>     | 26.6 x 13.2 x 14.1 | 144                    | \$15,500              | V4         |            |
| 75            | 211  | 60                      | 180                   | CFW110211T20N1Z-PGM     | No                  | E <sup>4</sup>     | 26.6 x 13.2 x 14.1 | 144                    | \$21,935              | V4         |            |

continued on next page



### Multi Drive Pump System (includes RS-485 communication card installed) - continued

| Motor Voltage | ND / VT <sup>1</sup>  |                         | HD / CT <sup>1</sup>  |                         | Catalog Number      | Braking Transistor | Frame Size         | Dimensions (in.) HxWxD | Approx. Weight (lbs.) | List Price | Multiplier |  |
|---------------|---|-------------------------|-----------------------|-------------------------|---------------------|--------------------|--------------------|------------------------|-----------------------|------------|------------|--|
|               | Motor HP <sup>2</sup>   | Drive Amps <sup>3</sup> | Motor HP <sup>2</sup> | Drive Amps <sup>3</sup> |                     |                    |                    |                        |                       |            |            |  |
| 460 Vac       | <b>Input Power Supply: Three-Phase 380-480 Vac with Dynamic Braking Transistor</b>    |                         |                       |                         |                     |                    |                    |                        |                       |            |            |  |
|               | 2   | 3.6                     | 2                     | 3.6                     | CFW110003T40N1Z-PGM | Yes                | A                  | 12.1 x 5.8 x 9.0       | 13.9                  | \$1,991    | V4         |  |
|               | 3   | 5.0                     | 3                     | 5.0                     | CFW110005T40N1Z-PGM | Yes                | A                  | 12.1 x 5.8 x 9.0       | 13.9                  | \$2,025    | V4         |  |
|               | 5   | 7.0                     | 3                     | 5.5                     | CFW110007T40N1Z-PGM | Yes                | A                  | 12.1 x 5.8 x 9.0       | 13.9                  | \$2,087    | V4         |  |
|               | 7 1/2   | 10                      | 5                     | 10                      | CFW110010T40N1Z-PGM | Yes                | A                  | 12.1 x 5.8 x 9.0       | 13.9                  | \$2,344    | V4         |  |
|               | 10  | 13.5                    | 7 1/2                 | 11                      | CFW110013T40N1Z-PGM | Yes                | A                  | 12.1 x 5.8 x 9.0       | 13.9                  | \$2,443    | V4         |  |
|               | 10  | 17                      | 10                    | 13.5                    | CFW110017T40N1Z-PGM | Yes                | B                  | 13.9 x 7.5 x 9.0       | 23                    | \$2,905    | V4         |  |
|               | 15  | 24                      | 10                    | 19                      | CFW110024T40N1Z-PGM | Yes                | B                  | 13.9 x 7.5 x 9.0       | 23                    | \$3,367    | V4         |  |
|               | 20  | 31                      | 15                    | 25                      | CFW110031T40N1Z-PGM | Yes                | B                  | 13.9 x 7.5 x 9.0       | 23                    | \$4,248    | V4         |  |
|               | 25  | 38                      | 20                    | 33                      | CFW110038T40N1Z-PGM | Yes                | C                  | 17.7 x 8.7 x 11.5      | 46                    | \$4,675    | V4         |  |
|               | 30  | 45                      | 25                    | 38                      | CFW110045T40N1Z-PGM | Yes                | C                  | 17.7 x 8.7 x 11.5      | 46                    | \$5,775    | V4         |  |
|               | 40  | 58.5                    | 30                    | 47                      | CFW110058T40N1Z-PGM | Yes                | C                  | 17.7 x 8.7 x 11.5      | 46                    | \$7,008    | V4         |  |
|               | 50/60   | 70.5                    | 40                    | 61                      | CFW110070T40N1Z-PGM | Yes                | D                  | 19.9 x 11.9 x 12.0     | 72                    | \$7,875    | V4         |  |
|               | 60/75   | 88                      | 50                    | 73                      | CFW110088T40N1Z-PGM | Yes                | D                  | 19.9 x 11.9 x 12.0     | 72                    | \$9,275    | V4         |  |
|               | <b>Input Power Supply: Three-Phase 380-480 Vac without Dynamic Braking Transistor</b> |                         |                       |                         |                     |                    |                    |                        |                       |            |            |  |
|               | 75  | 105                     | 75                    | 88                      | CFW110105T40N1Z-PGM | No                 | E <sup>4</sup>     | 26.6 x 13.2 x 14.1     | 144                   | \$11,025   | V4         |  |
|               | 100/125   | 142                     | 75                    | 115                     | CFW110142T40N1Z-PGM | No                 | E <sup>4</sup>     | 26.6 x 13.2 x 14.1     | 144                   | \$12,875   | V4         |  |
|               | 150   | 180                     | 100/125               | 142                     | CFW110180T40N1Z-PGM | No                 | E <sup>4</sup>     | 26.6 x 13.2 x 14.1     | 144                   | \$17,875   | V4         |  |
|               | 175   | 211                     | 150                   | 180                     | CFW110211T40N1Z-PGM | No                 | E <sup>4</sup>     | 26.6 x 13.2 x 14.1     | 144                   | \$21,375   | V4         |  |
|               | 200   | 242                     | 150                   | 211                     | CFW110242T4SZ-PGM   | No                 | F <sup>4,5</sup>   | 48.6 x 16.9 x 14.2     | 309                   | \$23,375   | V4         |  |
| 250           | 312   | 200                     | 242                   | CFW110312T4SZ-PGM       | No                  | F <sup>4,5</sup>   | 48.6 x 16.9 x 14.2 | 309                    | \$29,741              | V4         |            |  |
| 300           | 370   | 250                     | 312                   | CFW110370T4SZ-PGM       | No                  | F <sup>4,5</sup>   | 48.6 x 16.9 x 14.2 | 309                    | \$31,689              | V4         |            |  |
| 400           | 477   | 300                     | 370                   | CFW110477T4SZ-PGM       | No                  | F <sup>4,5</sup>   | 48.6 x 16.9 x 14.2 | 309                    | \$41,402              | V4         |            |  |
| 450           | 515   | 400                     | 477                   | CFW110515T4SZ-PGM       | No                  | G <sup>4,5</sup>   | 50 x 21.1 x 16.8   | 474                    | \$44,345              | V4         |            |  |
| 500           | 601   | 450                     | 515                   | CFW110601T4SZ-PGM       | No                  | G <sup>4,5</sup>   | 50 x 21.1 x 16.8   | 474                    | \$50,463              | V4         |            |  |
| 600           | 720   | 500                     | 560                   | CFW110720T4SZ-PGM       | No                  | G <sup>4,5</sup>   | 50 x 21.1 x 16.8   | 474                    | \$59,705              | V4         |            |  |

Notes:

- 1) CT = Constant Torque, 150% overload / 60 sec.; VT = Variable Torque (Quadratic Load), 110% overload / 60 sec.
  - 2) "HP" rating based on "average FLA values". Use as a guide only.
  - 3) Motor FLA may vary with speed and manufacturer. ALWAYS compare motor FLA to Nominal AMPS of drive.
  - 4) Maximum 45°C ambient temperature without derating
  - 5) IP20 enclosure protection level
- For other technical data please refer to WEG product manual.

# WEG HVAC-R Products

## Drive Features

- RFI filter built-in for all frame sizes
- BACnet, Metasys N2 and Modbus-RTU embedded using the RS-485 port
- Thermal Management for drive fan control
- Soft PLC Function
- Process feedback in engineering units
- Direct/Reverse PID Control Selection
- Control Set point

## Performance Features

- Overload capacity: nominal 110% for 60sec. (150% peak)
- Adjustable accel/decel: 0.0 to 900.0 Sec.
- Controlled speed range: 1:20
- Critical frequency avoidance: 3 selectable, adjustable bands
- Torque-limiting: 30-180%
- Torque boost: full range, automatic
- Fault Auto-Reset with programmable time interval
- Feedback signal loss detection
- Serial communications loss detection
- “Up/Down” floating point control capability (PI)
- Sleep function
- Run-permissive input

## Drive and Motor Protection Features

- Current-limited stall prevention
- Heat sink over-temperature, speed fold-back
- Bi-directional start into rotating motor
- Optically-isolated controls
- Output short circuit protection: Phase-phase and phase-neutral
- Output Ground Fault Protection
- Electronic motor overload: UL
- Fault display: last 10 faults

## Control Features

**Power Saving Flux Optimization** - (Energy Saving Algorithm) Stator flux is controlled so that motor losses are reduced increasing motor efficiency

**Fire Mode** - Forces the drive to override its internal faults and protections, allowing the drive and motor to run during extreme conditions

**Dry Pump** - Monitors motor torque and prevents the pump from running with no load

**Sleep / Wake-Up Mode** - Prevents prolonged motor operation at low speeds for a programmable amount of time. Wake-up mode determines when the drive and motor resume normal operation

**Bypass Function** - Allows the VFD to be by-passed and the motor to be run across the line

**Short Cycling Protection** - Prevents repetitive motor restarting after short periods of time

**Broken Belt Protection** - Monitors motor torque preventing it from running with no load in case of a broken belt or coupling

**Filter Maintenance Alarm** - A warning for filter maintenance is displayed on the keypad based on an adjustable time interval (time is programmed in the drive)

**PTC Function** - Using drive I/O, PTC thermal sensors can be monitored to prevent motor overheating

**Main PID Controller** - Internal PID loops available for drive control



## CFW501

The WEG CFW501 series of variable frequency drives for heating, ventilation, air conditioning and refrigeration was designed with the features and functions required for modern HVAC systems. The CFW501 is designed with the same reliability, robustness and energy-efficient control known in our industrial lines. WEG now brings this technology to office buildings, hospitals, airports, hotels, shopping centers or other similar facilities.



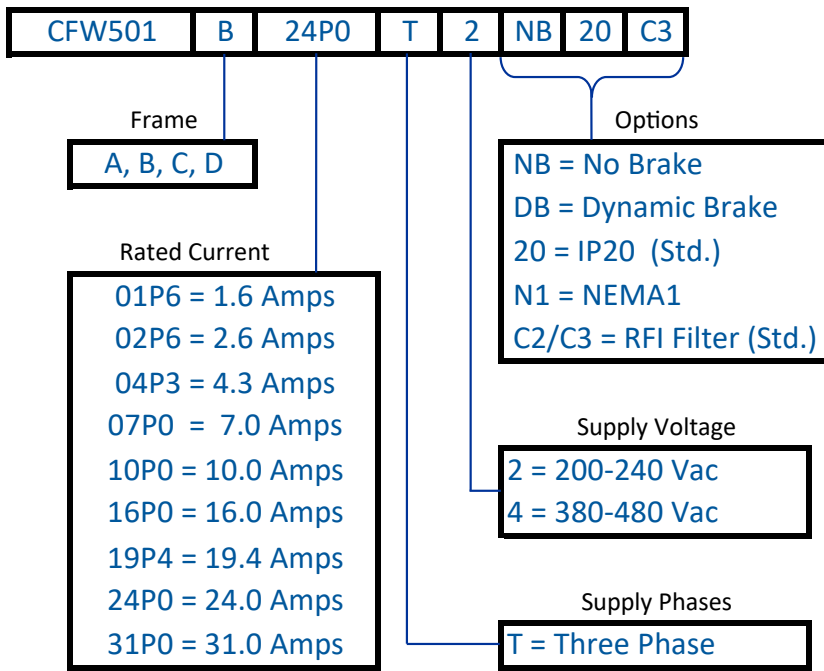
### CFW501 Features

- CFW501 Ratings: -7½ HP @ 230 Vac; ½-25 HP @ 480 Vac.
- Conformal Coated Circuit Boards - provides protection against dust, humidity, high temperature and chemicals
- Pelnum Rated with NEMA1 Kit - Meets UL94 Requirements
- IP20 enclosure with NEMA 1 conversion kits available
- Harmonics - Meets IEC 61000-3-12 requirements
  - No line reactor required
  - No restrictions for installation, no minimum line impedance required
- Communications - BACnet MS/TP | Metasys N2 | Modbus-RTU native to the drive
- Heat sink and internal temperature monitoring provides protection for critical components such as IGBTs and circuit boards
- Fan operation is controlled based on the temperature of power modules
  - Reduces energy consumption when drive is not supplying power to the motor

### Applications

- Hospitals
- Airports
- Shopping Malls
- Sports Facilities
- Schools and Universities
- Hotels and Restaurants
- Condominium and Residential
- Municipal and Commercial Buildings
- Chillers and Compressors
- Cooling Towers
- Boiler Circulation Pumps
- Chill Water Circulation Pumps
- Exhaust Fans
- Clean Room Air Handling
- Tunnel Ventilation

### CFW501 Catalog Number Sequence



*Table intended as reference only and not to create part numbers.*





# CFW501 IP20 Enclosure

| Motor Voltage | ND / VT <sup>1</sup>  |                         | Catalog Number <sup>5</sup> | Braking Transistor | Frame Size       | Dimensions (in.) HxWxD <sup>4</sup> | Approx. Weight (lbs.) | List Price | Multiplier |
|---------------|---|-------------------------|-----------------------------|--------------------|------------------|-------------------------------------|-----------------------|------------|------------|
|               | Motor HP <sup>2</sup>   | Drive Amps <sup>3</sup> |                             |                    |                  |                                     |                       |            |            |
| 230 Vac       | <b>Input Power Supply: Three-Phase 220-230 Vac without Dynamic Braking Transistor</b> |                         |                             |                    |                  |                                     |                       |            |            |
|               | 1/3   | 1.6                     | CFW501A01P6T2NB20C3         | No                 | A                | 7.5 x 3.0 x 5.9                     | 1.8                   | \$563      | V3         |
|               | 3/4   | 2.6                     | CFW501A02P6T2NB20C3         | No                 | A                | 7.5 x 3.0 x 5.9                     | 1.8                   | \$601      | V3         |
|               | 1 1/2   | 4.3                     | CFW501A04P3T2NB20C3         | No                 | A                | 7.5 x 3.0 x 5.9                     | 1.8                   | \$652      | V3         |
|               | 2   | 7.0                     | CFW501A07P0T2NB20C3         | No                 | A                | 7.5 x 3.0 x 5.9                     | 1.8                   | \$736      | V3         |
|               | 3   | 9.6                     | CFW501A09P6T2NB20C3         | No                 | A                | 7.5 x 3.0 x 5.9                     | 1.8                   | \$804      | V3         |
|               | 4   | 12.2                    | CFW501A12P2T2NB20C3         | No                 | A                | 7.5 x 3.0 x 5.9                     | 1.8                   | \$873      | V3         |
|               | <b>Input Power Supply: Three-Phase 200-240 Vac with Dynamic Braking Transistor</b>    |                         |                             |                    |                  |                                     |                       |            |            |
|               | 5   | 16.0                    | CFW501B16P0T2DB20C3         | Yes                | B                | 7.9 x 4.0 x 6.3                     | 2.7                   | \$1,009    | V3         |
|               | 7 1/2   | 19.4                    | CFW501B19P4T2DB20C3         | Yes                | B                | 7.9 x 4.0 x 6.3                     | 2.7                   | \$1,111    | V3         |
| 7 1/2         | 24.0  | CFW501C24P0T2DB20C3     | Yes                         | C                  | 8.3 x 5.3 x 6.5  | 4.4                                 | \$1,552               | V3         |            |
| 460 Vac       | <b>Input Power Supply: Three-Phase 380-480 Vac without Dynamic Braking Transistor</b> |                         |                             |                    |                  |                                     |                       |            |            |
|               | 1/2   | 1.0                     | CFW501A01P0T4NB20C3         | No                 | A                | 7.5 x 3.0 x 5.9                     | 1.8                   | \$745      | V3         |
|               | 1   | 1.6                     | CFW501A01P6T4NB20C3         | No                 | A                | 7.5 x 3.0 x 5.9                     | 1.8                   | \$761      | V3         |
|               | 1 1/2   | 2.6                     | CFW501A02P6T4NB20C3         | No                 | A                | 7.5 x 3.0 x 5.9                     | 1.8                   | \$799      | V3         |
|               | 3   | 4.3                     | CFW501A04P3T4NB20C3         | No                 | A                | 7.5 x 3.0 x 5.9                     | 1.8                   | \$917      | V3         |
|               | 5   | 6.1                     | CFW501A06P1T4NB20C3         | No                 | A                | 7.5 x 3.0 x 5.9                     | 1.8                   | \$1,051    | V3         |
|               | <b>Input Power Supply: Three-Phase 380-480 Vac with Dynamic Braking Transistor</b>    |                         |                             |                    |                  |                                     |                       |            |            |
|               | 1 1/2   | 2.6                     | CFW501B02P6T4DB20C3         | Yes                | B                | 7.9 x 4.0 x 6.3                     | 2.7                   | \$835      | V3         |
|               | 3   | 4.3                     | CFW501B04P3T4DB20C3         | Yes                | B                | 7.9 x 4.0 x 6.3                     | 2.7                   | \$958      | V3         |
|               | 5   | 6.5                     | CFW501B06P5T4DB20C3         | Yes                | B                | 7.9 x 4.0 x 6.3                     | 2.7                   | \$1,092    | V3         |
|               | 7 1/2   | 10.0                    | CFW501B10P0T4DB20C3         | Yes                | B                | 7.9 x 4.0 x 6.3                     | 2.7                   | \$1,299    | V3         |
|               | 10  | 14.0                    | CFW501C14P0T4DB20C2         | Yes                | C                | 8.3 x 5.3 x 6.5                     | 4.4                   | \$1,609    | V3         |
|               | 10  | 16.0                    | CFW501C16P0T4DB20C2         | Yes                | C                | 8.3 x 5.3 x 6.5                     | 4.4                   | \$1,886    | V3         |
|               | 15  | 24.0                    | CFW501D24P0T4DB20C3         | Yes                | D                | 12.1 x 7.1 x 6.6                    | 9.5                   | \$2,321    | V3         |
| 25            | 31.0  | CFW501D31P0T4DB20C3     | Yes                         | D                  | 12.1 x 7.1 x 6.6 | 9.5                                 | \$2,716               | V3         |            |

- Notes:  
 1) VT = Variable Torque (Quadratic Load), 110% overload / 60 sec.  
 2) "HP" rating based on "average FLA values". Use as a guide only.  
 3) Motor FLA may vary with speed and manufacturer. ALWAYS compare motor FLA to Nominal AMPS of drive.  
 4) Dimensions are provided for estimating purposes only. For other technical data please refer to WEG product manual.  
 5) CFW500-CRS485 Card is included as standard with CFW501 Drives. It will provide 4 DIs, 1 DO, 2 ROs, 2 AIs, 1 AO and 2 RS-485 com. Port as a standard.

## CFW501 - Options and Accessories

| Type                   | CATALOG NUMBER           | Description                                    | Approx. Shpg. Wt. (lbs.) | List Price | Multiplier Symbol |
|------------------------|--------------------------|--|--------------------------|------------|-------------------|
| Flash Memory Module    | CFW500-MMF               | CFW500/501 Flash Memory Module                 | 0.2                      | \$189      | V1G               |
| Non-Text Remote Keypad | CFW501-HMIR <sup>1</sup> | Non-Text Remote Keypad with Mounting Frame kit | 0.6                      | \$150      | V3                |
| HMI Cable 1M           | CFW500-CCHMIR01M         | 3.3 ft (1 meter) Remote Keypad Cable           | 0.5                      | \$23       | V1G               |
| HMI Cable 2M           | CFW500-CCHMIR02M         | 6.6 ft (2 meter) Remote Keypad Cable           | 0.7                      | \$31       | V1G               |
| HMI Cable 3M           | CFW500-CCHMIR03M         | 9.9 ft (3 meter) Remote Keypad Cable           | 1.0                      | \$41       | V1G               |
| HMI Cable 5M           | CFW500-CCHMIR05M         | 16 ft (5 meter) Remote Keypad Cable            | 1.2                      | \$51       | V1G               |
| HMI Cable 7.5M         | CFW500-CCHMIR075M        | 25 ft (7.5 meter) Remote Keypad Cable          | 1.5                      | \$61       | V1G               |
| HMI Cable 10M          | CFW500-CCHMIR010M        | 33 ft (10 meter) Remote Keypad Cable           | 2.0                      | \$72       | V1G               |
| NEMA1 Conduit Kit      | CFW501-KN1A              | NEMA1 kit - Frame Size A                       | 0.7                      | \$25       | V3                |
| NEMA1 Conduit Kit      | CFW501-KN1B              | NEMA1 kit - Frame Size B                       | 1.0                      | \$30       | V3                |
| NEMA1 Conduit Kit      | CFW501-KN1C              | NEMA1 kit - Frame Size C                       | 1.0                      | \$39       | V3                |
| NEMA1 Conduit Kit      | CFW501-KN1D              | NEMA1 kit - Frame Size D                       | 1.0                      | \$52       | V3                |

- Notes:  
 1) CFW501-HMIR (non-text Remote Keypad) will require Qty. (1) CFW500-CCHIR0xM cable. ("x" represents the cable length in meters).

## CFW501

### Technical Data

|                               |   |   |                          |
|-------------------------------|---|---|--------------------------|
| <b>Power Supply</b>           | Voltage   | Single Phase or Three Phase   | 200-240 Vac (+10%, -15%) |
|                               |   | Three phase   | 380-480 Vac (+10%, -15%) |
|                               | Frequency   | 50 / 60Hz +/- 2Hz   |                          |
| <b>Enclosure</b>              | Degree of Protection  | IP 20   |                          |
|                               | Mounting  | Surface mounting with screws or DIN rail mounting   |                          |
| <b>Control</b>                | Control Modes   | Volts per Hertz (Scalar)  |                          |
|                               |   | Sensorless Voltage Vector   |                          |
|                               | Power Output  | Sinusoidal PWM (Space Vector Modulation)  |                          |
|                               |   | IGBT Transistors  |                          |
|                               | Switching Frequency   | 2.5, 5, 10 or 15kHz   |                          |
|                               | Frequency Range   | 0-300 Hz  |                          |
|                               | Overload Capacity   | 110% for 60 seconds, repeatable every 10 min.   |                          |
| <b>Control Inputs</b>         | 4 programmable isolated digital inputs, NPN or 24Vdc logic (PNP)  |   |                          |
|                               | 2 programmable differential analog inputs; programmable for current or voltage<br>Can be set as DI or as PTC input (0-10V, 4-20mA or 0-20mA)  |   |                          |
| <b>Control Outputs</b>        | 2 Programmable relay Outputs: Form C (240V / 0.5A).<br>1 Programmable Transistor Output (Max. 150mA @ 24VDC).<br>1 Programmable differential analog Output; Programmable for current or voltage.  |   |                          |
| <b>Communication</b>          | Serial  | 2 x RS-485 Ports (Modbus RTU, BACnet & Metasys N2 as a standard)                                      |                          |
| <b>Safety</b>                 | Protections   | Motor over current  | DC link over voltage     |
|                               |   | Motor overload  | DC link under voltage    |
|                               |   | Output phase-to-phase short circuit   | Drive over temperature   |
|                               |   | Output phase-to-ground short circuit  | External fault           |
|                               |   | Programming error   |                          |
| <b>Ambient</b>                | Temperature   | 32 - 122°F (50°C), up to 140°F (60°C) with 2% / 1.8°F (1°C) output current derating                   |                          |
|                               | Humidity  | 5-95% Non Condensing  |                          |
|                               | Altitude  | 0-3300 ft (1000m), up to 13,200 ft (4000m)<br>with 1% / 330ft (100m) output current derating          |                          |
| <b>Regulatory Conformance</b> | EMC Directive 89 / 336 / EEC  | Electromagnetic compatibility - Industrial Environment EMC Emission and Immunity with optional filter |                          |
|                               | ENC61800-3  |   |                          |
|                               | LVD 73/23/EEC   | Low Voltage Directive   |                          |
|                               | UL 508 C  | Power Conversion Equipment  |                          |
| <b>Special Functions</b>      | Linear and "S" ramp accel and decel, local/remote control, FWD/REV selection, DC braking, manual and auto torque boost, motor slip compensation, electronic pot, two skip frequencies, maximum and minimum adjustable frequency limits, adjustable output current |   |                          |
| <b>Keypad</b>                 | 4 digit display, 2 indicator LEDs and 8 keys  |   |                          |
|                               | Readouts for: output frequency (Hz), output current (A), output voltage (V), motor torque (%) in vector mode, DC bus voltage (V), value proportional to frequency (Ex.: RPM), heatsink temperature, fault and status messages                                     |   |                          |

## CFW701 HVAC-R Drives

WEG, a leading supplier of drive technology, as well as automation solutions, has enhanced the line of variable frequency drives for heating, ventilation, air conditioning and refrigeration. The CFW701 was designed with the features and functions required for HVAC systems, with the same reliability, robustness and energy-efficient control known in our industrial lines. WEG now brings this technology to hospitals, airports, office buildings, hotels, shopping centers or other similar facilities.



### Standard Features

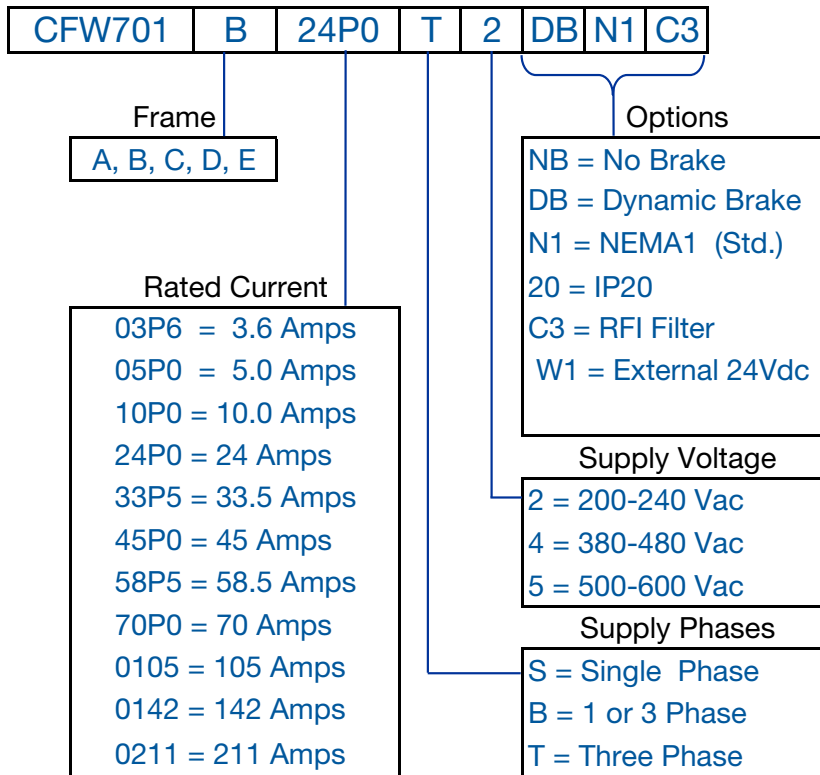
- VFD life-time is extended: protects against dust, humidity, high temperature and chemicals
- Plenum Rated - Meets UL94 Requirements
- Meets IEC 61000-3-12 requirements with built-in DC link chokes
- No line reactor required
- No restrictions for installation, minimum impedance is not required
- BACnet MS/TP | Metasys N2 | Modbus-RTU Communications
- Monitor heat sink and inside air temperature for better protection to critical components e.g. IGBTs and control board
- Fans installed closed to heatsink are controlled based on the temperature of power modules
- Readings of fan operation hours can be analyzed through parameters and alarm or fault messages are displayed
- Easy removal of fans for easy maintenance and/or replacement

### Applications

- |                            |                          |
|----------------------------|--------------------------|
| • Hospitals                | • Airports               |
| • Malls                    | • Stadiums               |
| • Schools and Universities | • Hotels and Restaurants |
| • Commercial buildings     | • Residential            |
| • Pumps and Fans           | • Compressors            |
| • Condensers               | • Evaporators            |
| • Cooling towers           | • Boilers/Chillers       |

## CFW701

### CFW701 Catalog Number Sequence



*Table intended as reference only and not to create part numbers.*





### NEMA 1 Enclosure

| Motor Voltage | ND / VT <sup>1</sup>  |                         | HD / CT <sup>1</sup>  |                         | Catalog Number      | Braking Transistor | Frame Size         | Dimensions (in.) HxWxD <sup>6</sup> | Approx. Weight (lbs.) | List Price | Multiplier |  |
|---------------|---|-------------------------|-----------------------|-------------------------|---------------------|--------------------|--------------------|-------------------------------------|-----------------------|------------|------------|--|
|               | Motor HP <sup>2</sup>   | Drive Amps <sup>3</sup> | Motor HP <sup>2</sup> | Drive Amps <sup>3</sup> |                     |                    |                    |                                     |                       |            |            |  |
| 230 Vac       | <b>Input Power Supply: Single-Phase 200-240 Vac with Dynamic Braking Transistor</b>   |                         |                       |                         |                     |                    |                    |                                     |                       |            |            |  |
|               | 1 1/2   | 6.0                     | 1 1/2                 | 5.0                     | CFW701A06POS2DBN1C3 | Yes                | A                  | 12.1 x 5.8 x 9.0                    | 13.9                  | \$1,370    | V3         |  |
|               | 2   | 7.0                     | 2                     | 7.0                     | CFW701A07POS2DBN1C3 | Yes                | A                  | 12.1 x 5.8 x 9.0                    | 13.9                  | \$1,430    | V3         |  |
|               | 3   | 10                      | 3                     | 10                      | CFW701A10POS2DBN1C3 | Yes                | A                  | 12.1 x 5.8 x 9.0                    | 13.9                  | \$1,510    | V3         |  |
|               | <b>Input Power Supply: Three-Phase 200-240 Vac with Dynamic Braking Transistor</b>    |                         |                       |                         |                     |                    |                    |                                     |                       |            |            |  |
|               | 2   | 7.0                     | 1 1/2                 | 5.5                     | CFW701A07POT2DBN1C3 | Yes                | A                  | 12.1 x 5.8 x 9.0                    | 13.9                  | \$1,350    | V3         |  |
|               | 3   | 10                      | 2                     | 8.0                     | CFW701A10POT2DBN1C3 | Yes                | A                  | 12.1 x 5.8 x 9.0                    | 13.9                  | \$1,410    | V3         |  |
|               | 5   | 13                      | 3                     | 11                      | CFW701A13POT2DBN1C3 | Yes                | A                  | 12.1 x 5.8 x 9.0                    | 13.9                  | \$1,440    | V3         |  |
|               | 5   | 16                      | 5                     | 13                      | CFW701A16POT2DBN1C3 | Yes                | A                  | 12.1 x 5.8 x 9.0                    | 13.9                  | \$1,542    | V3         |  |
|               | 7 1/2   | 24                      | 7 1/2                 | 20                      | CFW701B24POT2DBN1C3 | Yes                | B                  | 13.9 x 7.5 x 9.0                    | 24.1                  | \$2,020    | V3         |  |
|               | 10  | 28                      | 10                    | 24                      | CFW701B28POT2DBN1C3 | Yes                | B                  | 13.9 x 7.5 x 9.0                    | 24.1                  | \$2,201    | V3         |  |
|               | 10  | 33.5                    | 10                    | 28                      | CFW701B33P5T2DBN1C3 | Yes                | B                  | 13.9 x 7.5 x 9.0                    | 24.1                  | \$2,600    | V3         |  |
|               | 15  | 45                      | 15                    | 36                      | CFW701C45POT2DBN1C3 | Yes                | C                  | 17.7 x 8.7 x 11.5                   | 44.6                  | \$2,900    | V3         |  |
|               | 20  | 54                      | 20                    | 45                      | CFW701C54POT2DBN1C3 | Yes                | C                  | 17.7 x 8.7 x 11.5                   | 44.6                  | \$3,700    | V3         |  |
|               | 25  | 70                      | 20                    | 56                      | CFW701C70POT2DBN1C3 | Yes                | C                  | 17.7 x 8.7 x 11.5                   | 44.6                  | \$4,880    | V3         |  |
|               | 30  | 86                      | 25                    | 70                      | CFW701D86POT2DBN1C3 | Yes                | D                  | 19.9 x 11.9 x 12.0                  | 120.2                 | \$6,101    | V3         |  |
|               | 40  | 105                     | 30                    | 86                      | CFW701D0105T2DBN1C3 | Yes                | D                  | 19.9 x 11.9 x 12.0                  | 120.2                 | \$8,100    | V3         |  |
|               | <b>Input Power Supply: Three-Phase 200-240 Vac without Dynamic Braking Transistor</b> |                         |                       |                         |                     |                    |                    |                                     |                       |            |            |  |
|               | 50  | 142                     | 40                    | 115                     | CFW701E0142T2NBN1C3 | No                 | E <sup>5</sup>     | 26.6 x 13.2 x 14.1                  | 143                   | \$10,101   | V3         |  |
|               | 60  | 180                     | 50                    | 142                     | CFW701E0180T2NBN1C3 | No                 | E <sup>5</sup>     | 26.6 x 13.2 x 14.1                  | 143                   | \$12,999   | V3         |  |
| 75            | 211   | 60                      | 180                   | CFW701E0211T2NBN1C3     | No                  | E <sup>5</sup>     | 26.6 x 13.2 x 14.1 | 143                                 | \$18,555              | V3         |            |  |
| 460 Vac       | <b>Input Power Supply: Three-Phase 380-480 Vac with Dynamic Braking Transistor</b>    |                         |                       |                         |                     |                    |                    |                                     |                       |            |            |  |
|               | 2   | 3.6                     | 2                     | 3.6                     | CFW701A03P6T4DBN1C3 | Yes                | A                  | 12.1 x 5.8 x 9.0                    | 13.9                  | \$1,350    | V3         |  |
|               | 3   | 5.0                     | 3                     | 5.0                     | CFW701A05POT4DBN1C3 | Yes                | A                  | 12.1 x 5.8 x 9.0                    | 13.9                  | \$1,444    | V3         |  |
|               | 5   | 7.0                     | 3                     | 5.5                     | CFW701A07POT4DBN1C3 | Yes                | A                  | 12.1 x 5.8 x 9.0                    | 13.9                  | \$1,510    | V3         |  |
|               | 7 1/2   | 10                      | 5                     | 10                      | CFW701A10POT4DBN1C3 | Yes                | A                  | 12.1 x 5.8 x 9.0                    | 13.9                  | \$1,600    | V3         |  |
|               | 10  | 13.5                    | 7 1/2                 | 11                      | CFW701A13P5T4DBN1C3 | Yes                | A                  | 12.1 x 5.8 x 9.0                    | 13.9                  | \$1,711    | V3         |  |
|               | 10  | 17                      | 10                    | 13.5                    | CFW701B17POT4DBN1C3 | Yes                | B                  | 13.9 x 7.5 x 9.0                    | 24.1                  | \$2,055    | V3         |  |
|               | 15  | 24                      | 10                    | 19                      | CFW701B24POT4DBN1C3 | Yes                | B                  | 13.9 x 7.5 x 9.0                    | 24.1                  | \$2,455    | V3         |  |
|               | 20  | 31                      | 15                    | 25                      | CFW701B31POT4DBN1C3 | Yes                | B                  | 13.9 x 7.5 x 9.0                    | 24.1                  | \$3,450    | V3         |  |
|               | 25  | 38                      | 20                    | 33                      | CFW701C38POT4DBN1C3 | Yes                | C                  | 17.7 x 8.7 x 11.5                   | 44.6                  | \$3,888    | V3         |  |
|               | 30  | 45                      | 25                    | 38                      | CFW701C45POT4DBN1C3 | Yes                | C                  | 17.7 x 8.7 x 11.5                   | 44.6                  | \$5,000    | V3         |  |
|               | 40  | 58.5                    | 30                    | 47                      | CFW701C58P5T4DBN1C3 | Yes                | C                  | 17.7 x 8.7 x 11.5                   | 44.6                  | \$5,800    | V3         |  |
|               | 50/60   | 70.5                    | 40                    | 61                      | CFW701D70P5T4DBN1C3 | Yes                | D                  | 19.9 x 11.9 x 12.0                  | 120.2                 | \$6,888    | V3         |  |
|               | 75  | 88                      | 50                    | 73                      | CFW701D88POT4DBN1C3 | Yes                | D                  | 19.9 x 11.9 x 12.0                  | 120.2                 | \$8,100    | V3         |  |
|               | <b>Input Power Supply: Three-Phase 380-480 Vac without Dynamic Braking Transistor</b> |                         |                       |                         |                     |                    |                    |                                     |                       |            |            |  |
|               | 75  | 105                     | 75                    | 88                      | CFW701E0105T4NBN1C3 | No                 | E <sup>5</sup>     | 26.6 x 13.2 x 14.1                  | 143                   | \$9,999    | V3         |  |
| 100/125       | 142   | 75                      | 115                   | CFW701E0142T4NBN1C3     | No                  | E <sup>5</sup>     | 26.6 x 13.2 x 14.1 | 143                                 | \$12,000              | V3         |            |  |
| 150           | 180   | 100                     | 142                   | CFW701E0180T4NBN1C3     | No                  | E <sup>5</sup>     | 26.6 x 13.2 x 14.1 | 143                                 | \$15,400              | V3         |            |  |
| 175           | 211   | 150                     | 180                   | CFW701E0211T4NBN1C3     | No                  | E <sup>5</sup>     | 26.6 x 13.2 x 14.1 | 143                                 | \$18,787              | V3         |            |  |

Notes:

- 1) CT = Constant Torque, 150% overload / 60 sec.; VT = Variable Torque (Quadratic Load), 110% overload / 60 sec.
  - 2) "HP" rating based on "average FLA values". Use as a guide only.
  - 3) Motor FLA may vary with speed and manufacturer. ALWAYS compare motor FLA to Nominal AMPS of drive.
  - 4) All 575V drives are non-stocked items. Consult WEG for availability.
  - 5) Maximum 45°C ambient temperature without derating
  - 6) Dimensions are provided for estimating purposes only.
- For other technical data please refer to WEG product manual.



## CFW701

### NEMA 1 Enclosure

| Motor Voltage        | ND / VT <sup>1</sup>  |                         | HD / CT <sup>1</sup>  |                         | Catalog Number             | Braking Transistor | Frame Size     | Dimensions (in.) HxWxD <sup>6</sup> | Approx. Weight (lbs.) | List Price      | Multiplier |
|----------------------|---|-------------------------|-----------------------|-------------------------|----------------------------|--------------------|----------------|-------------------------------------|-----------------------|-----------------|------------|
|                      | Motor HP <sup>2</sup>   | Drive Amps <sup>3</sup> | Motor HP <sup>2</sup> | Drive Amps <sup>3</sup> |                            |                    |                |                                     |                       |                 |            |
| 575 Vac <sup>4</sup> | <b>Input Power Supply: Three-Phase 500-600 Vac with Dynamic Braking Transistor</b>    |                         |                       |                         |                            |                    |                |                                     |                       |                 |            |
|                      | 2   | 2.9                     | 2                     | 2.7                     | <b>CFW701B02P9T5DBN1C3</b> | Yes                | B              | 13.9 x 7.5 x 9.0                    | 24.1                  | <b>\$1,689</b>  | V3         |
|                      | 3   | 4.2                     | 3                     | 3.8                     | <b>CFW701B04P2T5DBN1C3</b> | Yes                | B              | 13.9 x 7.5 x 9.0                    | 24.1                  | <b>\$1,759</b>  | V3         |
|                      | 7 1/2   | 7.0                     | 5                     | 6.5                     | <b>CFW701B07P0T5DBN1C3</b> | Yes                | B              | 13.9 x 7.5 x 9.0                    | 24.1                  | <b>\$1,874</b>  | V3         |
|                      | 10  | 10                      | 7 1/2                 | 9.0                     | <b>CFW701B10P0T5DBN1C3</b> | Yes                | B              | 13.9 x 7.5 x 9.0                    | 24.1                  | <b>\$2,048</b>  | V3         |
|                      | 10  | 12                      | 10                    | 10                      | <b>CFW701B12P0T5DBN1C3</b> | Yes                | B              | 13.9 x 7.5 x 9.0                    | 24.1                  | <b>\$2,171</b>  | V3         |
|                      | 15  | 17                      | 15                    | 17                      | <b>CFW701B17P0T5DBN1C3</b> | Yes                | B              | 13.9 x 7.5 x 9.0                    | 24.1                  | <b>\$2,552</b>  | V3         |
|                      | <b>Input Power Supply: Three-Phase 500-600 Vac without Dynamic Braking Transistor</b> |                         |                       |                         |                            |                    |                |                                     |                       |                 |            |
|                      | 20  | 22                      | 20                    | 19                      | <b>CFW701D22P0T5NBN1C3</b> | No                 | D              | 19.9 x 11.9 x 12.0                  | 120.2                 | <b>\$3,921</b>  | V3         |
|                      | 25  | 27                      | 20                    | 22                      | <b>CFW701D27P0T5NBN1C3</b> | No                 | D              | 19.9 x 11.9 x 12.0                  | 120.2                 | <b>\$4,450</b>  | V3         |
|                      | 30  | 32                      | 25                    | 27                      | <b>CFW701D32P0T5NBN1C3</b> | No                 | D              | 19.9 x 11.9 x 12.0                  | 120.2                 | <b>\$5,763</b>  | V3         |
|                      | 40  | 44                      | 30                    | 36                      | <b>CFW701D44P0T5NBN1C3</b> | No                 | D              | 19.9 x 11.9 x 12.0                  | 120.2                 | <b>\$6,768</b>  | V3         |
|                      | 50  | 53                      | 40                    | 44                      | <b>CFW701E53P0T5NBN1C3</b> | No                 | E <sup>5</sup> | 26.6 x 13.2 x 14.1                  | 143                   | <b>\$8,446</b>  | V3         |
|                      | 60  | 63                      | 50                    | 53                      | <b>CFW701E63P0T5NBN1C3</b> | No                 | E <sup>5</sup> | 26.6 x 13.2 x 14.1                  | 143                   | <b>\$10,728</b> | V3         |
|                      | 75  | 80                      | 75                    | 66                      | <b>CFW701E80P0T5NBN1C3</b> | No                 | E <sup>5</sup> | 26.6 x 13.2 x 14.1                  | 143                   | <b>\$11,200</b> | V3         |
|                      | 100   | 107                     | 100                   | 90                      | <b>CFW701E0107T5NBN1C3</b> | No                 | E <sup>5</sup> | 26.6 x 13.2 x 14.1                  | 143                   | <b>\$15,042</b> | V3         |
|                      | 125   | 125                     | 100                   | 107                     | <b>CFW701E0125T5NBN1C3</b> | No                 | E <sup>5</sup> | 26.6 x 13.2 x 14.1                  | 143                   | <b>\$15,662</b> | V3         |
|                      | 150   | 150                     | 125                   | 122                     | <b>CFW701E0150T5NBN1C3</b> | No                 | E <sup>5</sup> | 26.6 x 13.2 x 14.1                  | 143                   | <b>\$21,723</b> | V3         |

Notes:  
 1) CT = Constant Torque, 150% overload / 60 sec.; VT = Variable Torque (Quadratic Load), 110% overload / 60 sec.  
 2) "HP" rating based on "average FLA values". Use as a guide only.  
 3) Motor FLA may vary with speed and manufacturer. ALWAYS compare motor FLA to Nominal AMPS of drive.  
 4) All 575V drives are non-stocked items. Consult WEG for availability.  
 5) Maximum 45°C ambient temperature without derating  
 6) Dimensions are provided for estimating purposes only.  
 For other technical data please refer to WEG product manual.

### Options and Accessories

| Type                   | Catalog Number         | Description   | List Price     | Multiplier New (Old) |
|------------------------|------------------------|---|----------------|----------------------|
| Communication          | <b>CFW-LonWorks® 1</b> | LonWorks Gateway Module - Connects CFW501 or CFW701 RS-485 to LonWorks network  | <b>\$1,100</b> | GA (V1)              |
| I/O                    | <b>CCK-01</b>          | Relay Output Module for CFW700 and CFW701, 2 Form C Relay Outputs   | <b>\$105</b>   | GA (V1)              |
| Flash Memory           | <b>MMF-02</b>          | Flash Memory Module for CFW700 and CFW701   | <b>\$71</b>    | GA (V1)              |
| Keypad and Accessories | <b>HMI-03</b>          | CFW701 Standard Keypad with USB   | <b>\$320</b>   | GA (V3)              |
|                        | <b>RHMIF-03</b>        | CFW701 Remote Keypad Frame Kit  | <b>\$69</b>    | GA (V3)              |
|                        | <b>HMID-01</b>         | Blank Keypad Cover for Keypad Slot (CFW11, CFW700 & CFW701)   | <b>\$54</b>    | GA (V1)              |
| Remote Keypad Cable    | <b>IHM-CAB-RS-1M</b>   | 3.3 ft (1 meter) Remote Keypad Cable (CFW11 & CFW700)   | <b>\$54</b>    | GA (V1)              |
|                        | <b>IHM-CAB-RS-2M</b>   | 6.6 ft (2 meter) Remote Keypad Cable (CFW11 & CFW700)   | <b>\$60</b>    | GA (V1)              |
|                        | <b>IHM-CAB-RS-3M</b>   | 9.9 ft (3 meter) Remote Keypad Cable (CFW11 & CFW700)   | <b>\$66</b>    | GA (V1)              |
|                        | <b>IHM-CAB-RS-5M</b>   | 16 ft (5 meter) Remote Keypad Cable (CFW11 & CFW700)  | <b>\$75</b>    | GA (V1)              |
|                        | <b>IHM-CAB-RS-7.5M</b> | 25 ft (7.5 meter) Remote Keypad Cable (CFW11 & CFW700)  | <b>\$90</b>    | GA (V1)              |
|                        | <b>IHM-CAB-RS-10M</b>  | 33 ft (10 meter) Remote Keypad Cable (CFW11 & CFW700)   | <b>\$102</b>   | GA (V1)              |
| Remote Oper. Station   | <b>CSW-SP3PBS</b>      | Remote Operator Station-includes 22mm Start PB, Stop PB, 1-NC and 1-NO contact block, 5k-ohm Potentiometer and legends (replaces CFW-REM) | <b>\$460</b>   | Z5                   |
|                        | <b>CSW30-SP3PBS</b>    | Remote Operator Station-includes 30mm Start PB, Stop PB, 1-NC and 1-NO contact block, 5k-ohm Potentiometer and legends (replaces CFW-REM) | <b>\$535</b>   | Z55 (Z5)             |
| Conduit Kit            | <b>KN1A-02</b>         | Conduit Kit for frame size A with power cables shielding  | <b>\$125</b>   | GA (V1)              |
|                        | <b>KN1B-02</b>         | Conduit Kit for frame size B with power cables shielding  | <b>\$125</b>   | GA (V1)              |
|                        | <b>KN1C-02</b>         | Conduit Kit for frame size C with power cables shielding  | <b>\$142</b>   | GA (V1)              |
|                        | <b>KN1E-01</b>         | Top cover kit for frame size E (105 & 142A)   | <b>\$78</b>    | GA (V1)              |
|                        | <b>KN1E-02</b>         | Top cover kit plus Conduit kit for frame size E (180 & 211A)  | <b>\$213</b>   | GA (V1)              |
|                        | <b>KIP21D-01</b>       | IP21 Kit for Frame size D (top cover) (CFW11 & CFW700)  | <b>\$120</b>   | GA (V1)              |
| Cable Shield Kit       | <b>PCSA-01</b>         | Power Cables Shielding Kit for frame size A (CFW11 & CFW700)  | <b>\$48</b>    | GA (V1)              |
|                        | <b>PCSB-01</b>         | Power Cables Shielding Kit for frame size B (CFW11 & CFW700)  | <b>\$51</b>    | GA (V1)              |
|                        | <b>PCSC-01</b>         | Power Cables Shielding Kit for frame size C (CFW11 & CFW700)  | <b>\$54</b>    | GA (V1)              |
|                        | <b>PCSD-01</b>         | Power Cables Shielding Kit for frame size D (CFW11 & CFW700)  | <b>\$56</b>    | GA (V1)              |
|                        | <b>PCSE-01</b>         | Power Cables Shielding Kit for frame size E (CFW11 & CFW700)  | <b>\$76</b>    | GA (V1)              |

Notes:

1) Compatible with CFW501 and CFW701 only.



## CFW701

### Technical Data

|  |   |  |                                       |
|--|---|--|---------------------------------------|
| <b>Power Supply</b>                    | Voltage   | Single Phase or Three Phase  | 200-240 Vac (+10%, -15%)              |
|  |   | Three phase  | 380-480 Vac, 500-600 Vac (+10%, -15%) |
|  | Frequency   | 50 / 60Hz +/- 2Hz  |                                       |
|  | Displacement Power Factor (Cos)   | Greater than 0.98  |                                       |
| <b>Enclosure</b>                       | Degree of Protection  | NEMA 1   |                                       |
| <b>Control</b>                         | Control Modes   | Volts per Hertz (Scalar)   | Voltage Vector (V/W)                  |
|  |   | Sensorless Vector  | Vector with encoder                   |
|  | Power Output  | Sinusoidal PWM (Space Vector Modulation)   |                                       |
|  |   | IGBT Transistors   |                                       |
|  | Switching Frequency   | 1.25, 2.0, 2.5, 5.0 or 10.0 kHz  |                                       |
|  | Frequency Range   | 0-300 Hz in Scalar Mode; 120 Hz in Vector Mode   |                                       |
|  | Overload Capacity   | CT = Constant Torque, 150% overload / 60 sec.<br>VT = Variable Torque (Quadratic Load), 110% overload / 60 sec.    |                                       |
| <b>Control Inputs</b>                  | 8 programmable isolated digital inputs, 24Vdc logic   |  |                                       |
|  | 3 isolated programmable differential analog inputs 11 bit; programmable for current or voltage (0-10V, 4-20mA or 0-20mA)  |  |                                       |
|  | Motor thermistor - PTC/PT100/KTY84  |  |                                       |
| <b>Control Outputs</b>                 | 2 programmable relay output; NO/NC (Form C); 240Vac, 30Vdc / 0.75 A   |  |                                       |
|  | 3 programmable isolated open collector digital outputs; 24Vdc, 80mA max.  |  |                                       |
|  | 2 non-isolated programmable analog outputs 10 bit; programmable for current or voltage (0-10V, 4-20mA or 0-20mA)  |  |                                       |
| <b>Communication</b>                   | Field Bus   | Modbus RTU, BACnet & Metasys N2 as a standard, over RS-485.  |                                       |
| <b>Safety</b>                          | Protections   | Motor over current   | DC link over voltage                  |
|  |   | Motor overload   | DC link under voltage                 |
|  |   | Output phase-to-phase short circuit  | Drive over temperature                |
|  |   | Output phase-to-ground short circuit   | External fault                        |
|  |   | Programming error  |                                       |
| <b>Ambient</b>                         | Temperature   | 14 - 122°F (50°C), up to 140°F (60°C) with 2% / 1.8°F (1°C) output current derating                                |                                       |
|  | Humidity  | 5-90% Non Condensing   |                                       |
|  | Altitude  | 0-3300 ft (1000m), up to 13,200 ft (4000m) with 1% output current derating per 330ft (100m) above 3300 ft (1000m). |                                       |
| <b>Regulatory / Safety Conformance</b> | IEC 60146   | Semiconductor converters   |                                       |
|  | UL 508 C  | Power Conversion Equipment   |                                       |
|  | UL 840  | Insulation coordination including clearances and creepage distances for electrical equipment.                      |                                       |
|  | UL 94   | Plenum Rated - Meets UL94 Standard for Tests for Flammability  |                                       |
|  | EN 50178  | Electronic equipment for use in power installations  |                                       |
|  | EN 61800-2  | General requirements adjustable speed electrical power drive systems   |                                       |
|  | EN 61800-3  | EMC product standard including specific test methods adjustable speed electrical power drive systems               |                                       |
|  | EN 61800-5-1  | Safety requirements adjustable speed electrical power drive systems  |                                       |
|  | EN 60204-1  | Safety of machinery. Electrical equipment of machines. Part 1: General requirements.                               |                                       |
|  | RoHS and WEEE Guidelines  |  |                                       |
| <b>Approvals</b>                       | UL, cUL, CE, C-Tick, GOST, IRAM   |  |                                       |
| <b>Special Functions</b>               | Linear and "S" ramp accel and decel, local/remote control, FWD/REV selection, DC braking, manual and auto torque boost, motor slip compensation, electronic pot, two slip frequencies, maximum and minimum adjustable frequency limits, adjustable output current, PID Controller |  |                                       |
| <b>Keypad</b>                          | Backlit LCD display with 9 operator keys, remote mounting option available  |  |                                       |
|  | Readouts for: output frequency (Hz), output current (A), output voltage (V), motor torque (%) in vector mode, DC bus voltage (V), value proportional to frequency (Ex.: RPM), heatsink temperature, fault and status messages   |  |                                       |





Obsolete product, please select CFW501/CFW500/11 VFDs

# Variable Frequency Drives

## Dynamic Braking Resistors for CFW701

NON-STOCK (call for lead time)

100% Braking Torque at 20% Duty Cycle (12 Seconds Max. Braking Time)  
NEMA 1 Enclosure

| Motor Voltage | Motor HP <sup>1</sup> | CFW11 Catalog Number | Braking Resistor Catalog Number <sup>2</sup> | Rated Ohms | Rated Watts  | Dimensions (in.) HxWxD <sup>3</sup> | List Price | Multiplier New (Old) |
|---------------|-----------------------|----------------------|--|------------|--------------|-------------------------------------|------------|----------------------|
| 230 Vac       | 1 1/2                 | CFW701A06P0S2DBN1C3  | CFDB2-125-224                                | 125        | 224          | 5 x 12 x 5                          | \$525      | GA (V1)              |
|               | 2                     | CFW701A07P0S2DBN1C3  | CFDB2-95-298                                 | 95         | 298          | 5 x 12 x 7                          | \$825      | GA (V1)              |
|               | 2                     | CFW701A07P0T2DBN1C3  | CFDB2-95-298                                 | 95         | 298          | 5 x 12 x 7                          | \$825      | GA (V1)              |
|               | 3                     | CFW701A10P0S2DBN1C3  | CFDB2-63-448                                 | 63         | 448          | 5 x 12 x 7                          | \$825      | GA (V1)              |
|               | 3                     | CFW701A10P0T2DBN1C3  | CFDB2-63-448                                 | 63         | 448          | 5 x 12 x 7                          | \$825      | GA (V1)              |
|               | 5                     | CFW701A13P0T2DBN1C3  | CFDB2-38-746                                 | 38         | 746          | 5 x 12 x 10                         | \$1,025    | GA (V1)              |
|               | 5                     | CFW701A16P0T2DBN1C3  | CFDB2-38-746                                 | 38         | 746          | 5 x 12 x 10                         | \$1,025    | GA (V1)              |
|               | 7 1/2                 | CFW701B24P0T2DBN1C3  | CFDB2-26-1119                                | 26         | 1,119        | 5 x 12 x 13                         | \$1,225    | GA (V1)              |
|               | 10                    | CFW701B28P0T2DBN1C3  | CFDB2-19-1492                                | 19         | 1,492        | 5 x 12 x 16                         | \$1,430    | GA (V1)              |
|               | 10                    | CFW701B33P5T2DBN1C3  | CFDB2-19-1492                                | 19         | 1,492        | 5 x 12 x 16                         | \$1,430    | GA (V1)              |
|               | 15                    | CFW701C45P0T2DBN1C3  | CFDB2-13-2238                                | 12.6       | 2,238        | 5 x 19 x 10                         | \$1,775    | GA (V1)              |
|               | 20                    | CFW701C54P0T2DBN1C3  | CFDB2-10-2984                                | 9.6        | 2,984        | 5 x 19 x 10                         | \$1,775    | GA (V1)              |
|               | 25                    | CFW701C70P0T2DBN1C3  | CFDB2-8-3730                                 | 7.5        | 3,730        | 5 x 19 x 13                         | \$2,150    | GA (V1)              |
|               | 30                    | CFW701D86P0T2DBN1C3  | CFDB2-7-4476                                 | 6.3        | 4,476        | 5 x 26.5 x 13                       | \$2,780    | GA (V1)              |
|               | 40                    | CFW701D0105T2DBN1C3  | CFDB2-5-5968                                 | 4.9        | 5,968        | 5 x 26.5 x 16                       | \$3,510    | GA (V1)              |
| 460 Vac       | 2                     | CFW701A03P6T4DBN1C3  | CFDB2-375-298                                | 375        | 298          | 5 x 12 x 7                          | \$825      | GA (V1)              |
|               | 3                     | CFW701A05P0T4DBN1C3  | CFDB2-250-448                                | 250        | 448          | 5 x 12 x 7                          | \$825      | GA (V1)              |
|               | 5                     | CFW701A07P0T4DBN1C3  | CFDB2-150-746                                | 150        | 746          | 5 x 12 x 10                         | \$1,025    | GA (V1)              |
|               | 7 1/2                 | CFW701A10P0T4DBN1C3  | CFDB2-100-1119                               | 100        | 1,119        | 5 x 12 x 13                         | \$1,225    | GA (V1)              |
|               | 10                    | CFW701A13P5T4DBN1C3  | CFDB2-75-1492                                | 75         | 1,492        | 5 x 12 x 16                         | \$1,430    | GA (V1)              |
|               | 10                    | CFW701B17P0T4DBN1C3  | CFDB2-75-1492                                | 75         | 1,492        | 5 x 12 x 16                         | \$1,430    | GA (V1)              |
|               | 15                    | CFW701B24P0T4DBN1C3  | CFDB2-50-2238                                | 50         | 2,238        | 5 x 19 x 13                         | \$1,965    | GA (V1)              |
|               | 20                    | CFW701B31P0T4DBN1C3  | CFDB2-38-2984                                | 38         | 2,984        | 5 x 19 x 16                         | \$2,365    | GA (V1)              |
|               | 25                    | CFW701C38P0T4DBN1C3  | CFDB2-30-3730                                | 30         | 3,730        | 5 x 26.5 x 13                       | \$2,700    | GA (V1)              |
|               | 30                    | CFW701C45P0T4DBN1C3  | CFDB2-25-4476                                | 25         | 4,476        | 5 x 26.5 x 13                       | \$2,700    | GA (V1)              |
|               | 40                    | CFW701C58P5T4DBN1C3  | CFDB2-19-5968                                | 19         | 5,968        | 5 x 26.5 x 16                       | \$3,155    | GA (V1)              |
|               | 50/60                 | CFW701D70P5T4DBN1C3  | CFDB2-15-8952                                | 15         | 8,952        | 10 x 28 x 13                        | \$4,635    | GA (V1)              |
| 75            | CFW701D88P0T4DBN1C3   | CFDB2-10-11190       | 10   | 11,190     | 10 x 28 x 16 | \$6,050                             | GA (V1)    |                      |

Notes:

- 1) "HP" rating based on "average FLA values". Use as a guide only.
- 2) Dynamic Braking Resistors are non-stock items. Consult WEG for availability.
- 3) Dimensions are provided for estimating purposes only.



## Dynamic Braking Resistors for CFW701

NON-STOCK (call for lead time)

100% Braking Torque at 50% Duty Cycle (30 Seconds Max. Braking Time)  
NEMA1 Enclosure

| Motor Voltage | Motor HP <sup>1</sup> | CFW701 Catalog Number | Braking Resistor Catalog Number <sup>2</sup> | Rated Ohms | Rated Watts  | Dimensions (in.) HxWxD <sup>3</sup> | List Price | Multiplier New (Old) |
|---------------|-----------------------|-----------------------|--|------------|--------------|-------------------------------------|------------|----------------------|
| 230 Vac       | 1 1/2                 | CFW701A06P0S2DBN1C3   | CFDB5-125-560                                | 125        | 560          | 5 x 12 x 10                         | \$1,025    | GA (V1)              |
|               | 2                     | CFW701A07P0S2DBN1C3   | CFDB5-95-746                                 | 95         | 746          | 5 x 12 x 10                         | \$1,025    | GA (V1)              |
|               | 2                     | CFW701A07P0T2DBN1C3   | CFDB5-95-746                                 | 95         | 746          | 5 x 12 x 10                         | \$1,025    | GA (V1)              |
|               | 3                     | CFW701A10P0S2DBN1C3   | CFDB5-63-1119                                | 63         | 1,119        | 5 x 12 x 10                         | \$1,225    | GA (V1)              |
|               | 3                     | CFW701A10P0T2DBN1C3   | CFDB5-63-1119                                | 63         | 1,119        | 5 x 12 x 10                         | \$1,225    | GA (V1)              |
|               | 5                     | CFW701A13P0T2DBN1C3   | CFDB5-38-1865                                | 38         | 1,865        | 5 x 19 x 13                         | \$1,965    | GA (V1)              |
|               | 5                     | CFW701A16P0T2DBN1C3   | CFDB5-38-1865                                | 38         | 1,865        | 5 x 19 x 13                         | \$1,965    | GA (V1)              |
|               | 7 1/2                 | CFW701B24P0T2DBN1C3   | CFDB5-26-2798                                | 26         | 2,798        | 5 x 26.5 x 13                       | \$2,700    | GA (V1)              |
|               | 10                    | CFW701B28P0T2DBN1C3   | CFDB5-19-3730                                | 19         | 3,730        | 5 x 26.5 x 13                       | \$2,700    | GA (V1)              |
|               | 10                    | CFW701B33P5T2DBN1C3   | CFDB5-19-3730                                | 19         | 3,730        | 5 x 26.5 x 13                       | \$2,700    | GA (V1)              |
|               | 15                    | CFW701C45P0T2DBN1C3   | CFDB5-13-5595                                | 12.6       | 5,595        | 5 x 26.5 x 16                       | \$3,155    | GA (V1)              |
|               | 20                    | CFW701C54P0T2DBN1C3   | CFDB5-10-7460                                | 9.6        | 7,460        | 10 x 28 x 13                        | \$4,990    | GA (V1)              |
|               | 25                    | CFW701C70P0T2DBN1C3   | CFDB5-8-9325                                 | 7.5        | 9,325        | 10 x 28 x 13                        | \$4,990    | GA (V1)              |
|               | 30                    | CFW701D86P0T2DBN1C3   | CFDB5-7-11190                                | 6.3        | 11,190       | 10 x 28 x 16                        | \$5,620    | GA (V1)              |
|               | 40                    | CFW701D0105T2DBN1C3   | CFDB5-5-14920                                | 4.9        | 14,920       | 24 x 30 x 18                        | \$7,225    | GA (V1)              |
| 460 Vac       | 2                     | CFW701A03P6T4DBN1C3   | CFDB5-375-746                                | 375        | 746          | 5 x 12 x 13                         | \$1,225    | GA (V1)              |
|               | 3                     | CFW701A05P0T4DBN1C3   | CFDB5-250-1119                               | 250        | 1,119        | 5 x 12 x 16                         | \$1,630    | GA (V1)              |
|               | 5                     | CFW701A07P0T4DBN1C3   | CFDB5-150-1865                               | 150        | 1,865        | 5 x 19 x 13                         | \$1,840    | GA (V1)              |
|               | 7 1/2                 | CFW701A10P0T4DBN1C3   | CFDB5-100-2798                               | 100        | 2,798        | 5 x 19 x 16                         | \$2,365    | GA (V1)              |
|               | 10                    | CFW701A13P5T4DBN1C3   | CFDB5-75-3730                                | 75         | 3,730        | 5 x 26.5 x 16                       | \$3,155    | GA (V1)              |
|               | 10                    | CFW701B17P0T4DBN1C3   | CFDB5-75-3730                                | 75         | 3,730        | 5 x 26.5 x 16                       | \$3,155    | GA (V1)              |
|               | 15                    | CFW701B24P0T4DBN1C3   | CFDB5-50-5595                                | 50         | 5,595        | 10 x 28 x 13                        | \$4,555    | GA (V1)              |
|               | 20                    | CFW701B31P0T4DBN1C3   | CFDB5-38-7460                                | 38         | 7,460        | 10 x 28 x 13                        | \$4,555    | GA (V1)              |
|               | 25                    | CFW701C38P0T4DBN1C3   | CFDB5-30-9325                                | 30         | 9,325        | 10 x 28 x 16                        | \$5,050    | GA (V1)              |
|               | 30                    | CFW701C45P0T4DBN1C3   | CFDB5-25-11190                               | 25         | 11,190       | 10 x 28 x 16                        | \$5,425    | GA (V1)              |
|               | 40                    | CFW701C58P5T4DBN1C3   | CFDB5-19-14920                               | 19         | 14,920       | 24 x 30 x 18                        | \$9,460    | GA (V1)              |
| 50/60         | CFW701D70P5T4DBN1C3   | CFDB2-15-22380        | 15   | 22,380     | 24 x 30 x 18 | \$10,865                            | GA (V1)    |                      |
| 75            | CFW701D88P0T4DBN1C3   | CFDB5-10-27975        | 10   | 27,975     | 32 x 30 x 18 | \$15,605                            | GA (V1)    |                      |

Notes:  
 1) "HP" rating based on "average FLA values". Use as a guide only.  
 2) Dynamic Braking Resistors are non-stock items. Consult WEG for availability.  
 3) Dimensions are provided for estimating purposes only.



NON-STOCK (call for lead time)

### 3% Z (Impedance) - NEMA 1 Enclosure

| Motor Voltage | Motor HP                                       | Reactor Amps | Catalog Number  | Dimensions (in.) <sup>1</sup><br>HxWxD | Approx. Weight (lbs.) <sup>1</sup> | List Price | Multiplier<br>New (Old) |
|---------------|--|--------------|-----------------|--|------------------------------------|------------|-------------------------|
| 230 Vac       | <b>Input Power Supply: Three-Phase 230 Vac</b> |              |                 |  |                                    |            |                         |
|               | 3  | 12           | LRW012D3N1      | 8 x 8 x 6                              | 16                                 | \$671      | GA (V1)                 |
|               | 5  | 18           | LRW018D3N1      | 8 x 8 x 6                              | 16                                 | \$790      | GA (V1)                 |
|               | 7 1/2  | 25           | LRW025D3N1      | 13 x 13.3 x 13.1                       | 42                                 | \$910      | GA (V1)                 |
|               | 10   | 35           | LRW035D3N1      | 13 x 13.3 x 13.1                       | 45                                 | \$972      | GA (V1)                 |
|               | 15   | 45           | LRW045D3N1      | 13 x 13.3 x 13.1                       | 54                                 | \$1,162    | GA (V1)                 |
|               | 20   | 55           | LRW055D3N1      | 13 x 13.3 x 13.1                       | 55                                 | \$1,371    | GA (V1)                 |
|               | 25 / 30  | 80           | LRW080D3N1      | 13 x 13.3 x 13.1                       | 74                                 | \$1,396    | GA (V1)                 |
|               | 40   | 100          | LRW100D3N1      | 13 x 13.3 x 13.1                       | 78                                 | \$1,671    | GA (V1)                 |
|               | 50   | 130          | LRW130D3N1      | 13 x 13.3 x 13.1                       | 60                                 | \$1,807    | GA (V1)                 |
|               | 60   | 160          | LRW160D3N1      | 13 x 13.3 x 13.1                       | 71                                 | \$2,192    | GA (V1)                 |
|               | 75   | 200          | LRW200D3N1      | 13 x 13.3 x 13.1                       | 79                                 | \$2,286    | GA (V1)                 |
| 460 Vac       | <b>Input Power Supply: Three-Phase 460 Vac</b> |              |                 |  |                                    |            |                         |
|               | 1 1/2  | 2            | LRW002G3N1      | 8 x 8 x 6                              | 11                                 | \$595      | GA (V1)                 |
|               | 2, 3   | 4            | LRW004G3N1      | 8 x 8 x 6                              | 11                                 | \$612      | GA (V1)                 |
|               | 5  | 8            | LRW008G3N1      | 8 x 8 x 6                              | 14                                 | \$656      | GA (V1)                 |
|               | 7 1/2  | 12           | LRW012G3N1      | 8 x 8 x 6                              | 16                                 | \$693      | GA (V1)                 |
|               | 10   | 18           | LRW018G3N1      | 8 x 8 x 6                              | 16                                 | \$803      | GA (V1)                 |
|               | 15   | 25           | LRW025G3N1      | 13 x 13.3 x 13.1                       | 42                                 | \$972      | GA (V1)                 |
|               | 20 / 25  | 35           | LRW035G3N1      | 13 x 13.3 x 13.1                       | 45                                 | \$1,007    | GA (V1)                 |
|               | 30   | 45           | LRW045G3N1      | 13 x 13.3 x 13.1                       | 54                                 | \$1,315    | GA (V1)                 |
|               | 40   | 55           | LRW055G3N1      | 13 x 13.3 x 13.1                       | 55                                 | \$1,460    | GA (V1)                 |
|               | 50 / 60  | 80           | LRW080G3N1      | 13 x 13.3 x 13.1                       | 60                                 | \$1,815    | GA (V1)                 |
|               | 75   | 100          | LRW100G3N1      | 13 x 13.3 x 13.1                       | 71                                 | \$1,797    | GA (V1)                 |
|               | 100  | 130          | LRW130G3N1      | 13 x 13.3 x 13.1                       | 74                                 | \$2,257    | GA (V1)                 |
|               | 125  | 160          | LRW160G3N1      | 13 x 13.3 x 13.1                       | 48                                 | \$3,064    | GA (V1)                 |
|               | 150  | 200          | LRW200G3N1      | 13 x 13.3 x 13.1                       | 79                                 | \$2,702    | GA (V1)                 |
|               | 200  | 250          | LRW250G3N1      | 24 x 18.4 x 16.8                       | 99                                 | \$4,592    | GA (V1)                 |
|               | 250  | 320          | LRW320G3N1      | 24 x 18.4 x 16.8                       | 155                                | \$4,967    | GA (V1)                 |
|               | 300  | 400          | LRW400G3N1      | 24 x 18.4 x 16.8                       | 155                                | \$7,548    | GA (V1)                 |
|               | 350 / 400                                      | 500          | LRW500G3N1      | 47 x 26.5 x 24.9                       | 165                                | \$10,294   | GA (V1)                 |
|               | 450 / 500                                      | 600          | LRW600G3N1      | 47 x 26.5 x 24.9                       | 205                                | \$11,145   | GA (V1)                 |
| 750 / 800     | 1000   | LRW1000G3N1  | Consult Factory |  |                                    | \$19,990   | GA (V1)                 |

Notes:

1) Dimensions and weights are provided for estimating purposes only.

# SSW05 - Reduced Voltage Soft Starter

The WEG SSW05 Soft Starter is a super compact fully digital soft starter with a state-of-the-art DSP controller. Its digital construction provides optimum operation, diagnostics capability and full motor protection. Simplicity in set-up and operation is assured since all parameters and set-up selections are made via dip switches and potentiometers. Status LED's alert the user of the operational status of the SSW05. Simplicity, ease of set-up, and the small panel assures quick and easy installation and operation.

## Standard Features

- 208 - 480V, 50/60Hz input power supply
- Duty cycle: 300% rated current during 10 seconds, 4 starts per hour
- Built-in by-pass contactor
- One digital input for Start/Stop (90 - 250 Vac)
- One digital input for Fault Reset (90 - 250 Vac)
- One relay output for Run indication (1 Amp - 250V)
- One relay output for Full Voltage indication (1 Amp - 250V)
- RS-232 serial port
- Adjustable acceleration and deceleration ramps (1 - 20 seconds)
- For high inertia loads, see SSW07 product line.
- Adjustable pedestal voltage (30 - 80% of line voltage)
- Protective features: Motor overload, over current and locked rotor, SCR overload, phase loss and phase sequence
- DIN rail or direct mount
- Ambient: 32°F (0°C) to 131°F (55°C), 3300ft (1000m) altitude, 90% non-condensing humidity
- SuperDrive compatible
- Remote Keypad (optional))

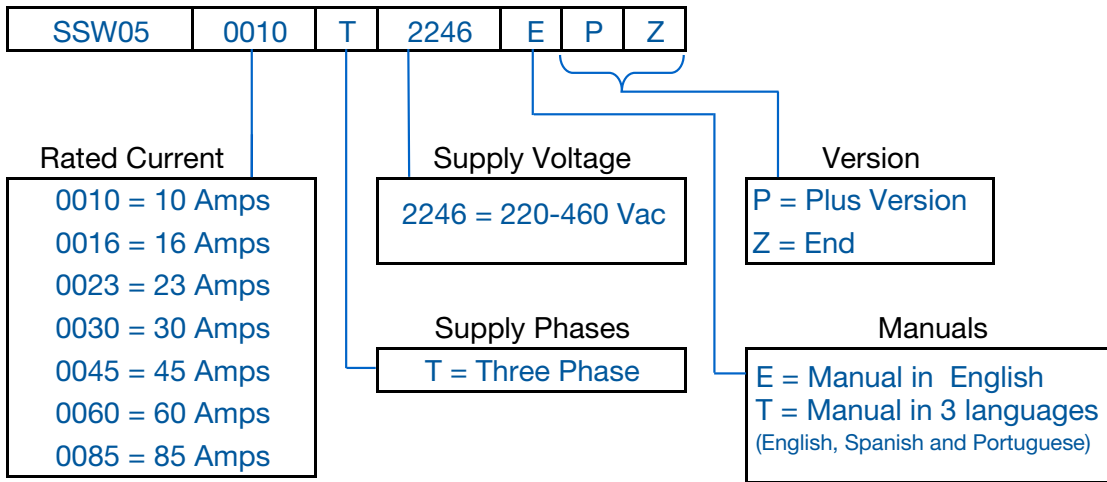


## Applications

- Pumps
- Fans
- Blowers
- Compressors

- INDEX
- WARRANTY INFO
- CFW100 G2
- CFW300
- CFW500 G2
- CFW500 G1
- CFW700
- CFW11
- CFW11M
- PUMP GENIUS
- CFW501
- CFW701
- SSW05
- SSW07
- SSW900
- SSW7000
- EDP11
- GPH2
- APB9
- MFM

### SSW05 Catalog Number Sequence



*Table intended as reference only and not to create part numbers.*

## SSW05

### Protected Chassis Enclosure

| Motor Voltage                                  | Motor HP <sup>1</sup>                          | Starter Amps <sup>2</sup> | Current Catalog (Old Catalog Number)            | Frame Size | Dimensions (in.) HxWxD | Approx. Weight (lbs.) | List Price     | Multiplier New (Old) |
|--|--|---------------------------|---|------------|------------------------|-----------------------|----------------|----------------------|
| <b>Input Power Supply: Three-Phase 230 Vac</b> |  |                           |   |            |                        |                       |                |                      |
| 230 Vac  | 3  | 10                        | <b>SSW050010T2246TPZ</b><br>(SSW050010T2246EPZ) | 1          | 5.1 x 2.3 x 5.7        | 3                     | <b>\$531</b>   | E15 (E1)             |
|  | 5  | 16                        | <b>SSW050016T2246TPZ</b><br>(SSW050016T2246EPZ) | 1          | 5.1 x 2.3 x 5.7        | 3                     | <b>\$603</b>   | E15 (E1)             |
|  | 7.5  | 23                        | <b>SSW050023T2246TPZ</b><br>(SSW050023T2246EPZ) | 1          | 5.1 x 2.3 x 5.7        | 3                     | <b>\$694</b>   | E15 (E1)             |
|  | 10   | 30                        | <b>SSW050030T2246TPZ</b><br>(SSW050030T2246EPZ) | 1          | 5.1 x 2.3 x 5.7        | 3                     | <b>\$754</b>   | E15 (E1)             |
|  | 15   | 45                        | <b>SSW050045T2246TPZ</b><br>(SSW050045T2246EPZ) | 2          | 7.3 x 3.1 x 6.8        | 6                     | <b>\$943</b>   | E15 (E1)             |
|  | 25   | 60                        | <b>SSW050060T2246TPZ</b><br>(SSW050060T2246EPZ) | 2          | 7.3 x 3.1 x 6.8        | 6                     | <b>\$1,135</b> | E15 (E1)             |
|  | 30   | 85                        | <b>SSW050085T2246TPZ</b><br>(SSW050085T2246EPZ) | 2          | 7.3 x 3.1 x 6.8        | 6                     | <b>\$1,382</b> | E15 (E1)             |
|  | <b>Input Power Supply: Three-Phase 460 Vac</b> |                           |   |            |                        |                       |                |                      |
| 460 Vac  | 5  | 10                        | <b>SSW050010T2246TPZ</b><br>(SSW050010T2246EPZ) | 1          | 5.1 x 2.3 x 5.7        | 3                     | <b>\$531</b>   | E15 (E1)             |
|  | 10   | 16                        | <b>SSW050016T2246TPZ</b><br>(SSW050016T2246EPZ) | 1          | 5.1 x 2.3 x 5.7        | 3                     | <b>\$603</b>   | E15 (E1)             |
|  | 15   | 23                        | <b>SSW050023T2246TPZ</b><br>(SSW050023T2246EPZ) | 1          | 5.1 x 2.3 x 5.7        | 3                     | <b>\$694</b>   | E15 (E1)             |
|  | 20   | 30                        | <b>SSW050030T2246TPZ</b><br>(SSW050030T2246EPZ) | 1          | 5.1 x 2.3 x 5.7        | 3                     | <b>\$754</b>   | E15 (E1)             |
|  | 30   | 45                        | <b>SSW050045T2246TPZ</b><br>(SSW050045T2246EPZ) | 2          | 7.3 x 3.1 x 6.8        | 6                     | <b>\$943</b>   | E15 (E1)             |
|  | 40   | 60                        | <b>SSW050060T2246TPZ</b><br>(SSW050060T2246EPZ) | 2          | 7.3 x 3.1 x 6.8        | 6                     | <b>\$1,135</b> | E15 (E1)             |
|  | 60 / 75  | 85                        | <b>SSW050085T2246TPZ</b><br>(SSW050085T2246EPZ) | 2          | 7.3 x 3.1 x 6.8        | 6                     | <b>\$1,382</b> | E15 (E1)             |

Notes:

1) "HP" rating based on FLA values from WEG W22, 2 and 4 pole, NEMA Premium motors.

2) Motor FLA may vary with speed and manufacturer. ALWAYS compare motor FLA to Nominal AMPS of the starter.

### Options and Accessories

| Type          | Catalog Number            | Description                           | Approx. Weight (lbs) | List Price   | Multiplier New (Old) |
|---------------|---------------------------|---------------------------------------|----------------------|--------------|----------------------|
| Remote Keypad | <b>SSW05-HMI-RS</b>       | Remote Keypad with LED Display        | 1.1                  | <b>\$120</b> | E15 (E1)             |
| Remote Cable  | <b>CAB-RS-1</b>           | 3.3 ft (1 meter) Remote Keypad Cable  | 0.5                  | <b>\$23</b>  | E17 (V1)             |
|               | <b>CAB-RS-2</b>           | 6.6 ft (2 meter) Remote Keypad Cable  | 0.7                  | <b>\$31</b>  | E17 (V1)             |
|               | <b>SSW05-07-08-CRS-3M</b> | 9.9 ft (3 meter) Remote Keypad Cable  | 1.0                  | <b>\$41</b>  | E17 (V1)             |
|               | <b>SSW05-07-08-CRS-5M</b> | 16 ft (5 meter) Remote Keypad Cable   | 1.2                  | <b>\$51</b>  | E17 (V1)             |
|               | <b>CAB-RS-7.5</b>         | 25 ft (7.5 meter) Remote Keypad Cable | 1.5                  | <b>\$62</b>  | E17 (V1)             |
|               | <b>CAB-RS-10</b>          | 33 ft (10 meter) Remote Keypad Cable  | 2.0                  | <b>\$72</b>  | E17 (V1)             |

### Settings and Indications



### SSW05 - Technical Data

|                         |   |   |
|-------------------------|---|---|
| <b>Power Supply</b>     | Main Voltage  | 208... 480 Vac (+10%, -15%)   |
|                         | Control Voltage   | 90 ...250 Vac   |
|                         | Frequency   | 50 / 60Hz (+/- 5Hz)   |
| <b>Enclosure</b>        | IP00 Protected Chassis                                  |   |
| <b>Duty Cycle</b>       | 300% rated current during 10 seconds, 4 starts per hour |   |
| <b>Control Inputs</b>   | Digital   | One input for Start/Stop (90 - 250 Vac)<br>One input for Fault Reset (90 - 250 Vac)   |
|                         | <b>Control Outputs</b>                                  | Digital   |
| <b>Communication</b>    | Serial Interface  | RS-232C   |
| <b>Safety</b>           | Protection  | Motor overload*   |
|                         |   | Locked rotor*   |
|                         |   | Over current*   |
|                         |   | Phase sequence*   |
|                         |   | Phase loss*   |
|                         |   | SCR overload  |
| <b>Control Features</b> | Pedestal Voltage  | 30 ... 80% of line voltage  |
|                         | Accel Ramp  | 1 ... 20 seconds  |
|                         | Decel Ramp  | Off ... 20 seconds  |
|                         | Motor Current   | 30 ... 100% of SSW-05 rating  |
|                         | Fault Reset   | Manual or Automatic   |
|                         | <b>Ambient</b>  | Temperature   |
| Humidity                |   | 0...90% Non Condensing  |
| Altitude                |   | 0 ... 1000m (3,300 ft) - Standard Operation at Rated Current<br>Up to 4000m (13,200 ft) - With Current Derating (1%/100m (328 ft) above 1000m (13,200 ft) ) |
| <b>Conformities</b>     | Low Voltage   | UL 508 - Industrial Control Equipment<br>IEC 60947-4-2  |
|                         |   | EMC   |

\* Can be disabled

## SSW07 - Reduced Voltage Soft Starter

Soft Starters are static starting devices, designed for the acceleration, deceleration and protection of the three phase, electric induction motors through the control of the voltage applied to the motor. The SSW07, with DSP control (Digital Signal Processor), was designed to provide great performance on motor starts and stops with an excellent cost-benefit relation. Easy to set up, it simplifies start-up activities and daily operations.

The SSW07 is compact, optimizing space in electric panels. The SSW07 incorporates all electric motor protections and adapts to customer needs through its easy-to-install optional accessories. Optionally, a keypad, a communication interface or a motor PTC input can be added to the product.



### Standard Features

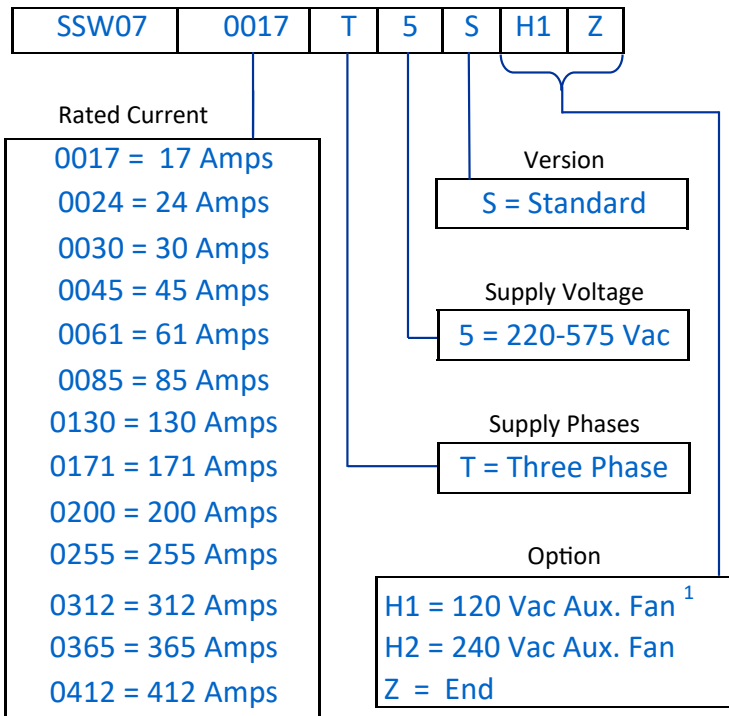
- Universal voltage (220 to 575 Vac)
- Built-in run rated (AC1) By-pass contactor
- Significant reduction of mechanical stresses through the coupling and transmission devices (gearboxes, pulleys, gears, conveyors, etc.) during the start
- Increases motor and machine mechanical equipment lifetime due to the elimination of mechanical shock
- Easy operation, setup, maintenance & installation
- Simple setpoint programming through trim pots
- Operates in environments up to 55°C without current reduction
- Integral, electronic motor protection
- Built-in electronic thermal relay
- Avoids “Water Hammer” in pumps
- Limitation of voltage drop during start
- Switched type power supply with EMC filter for the control electronics (110 to 240 Vac)
- SuperDrive G2 compatible
- Conformal coated circuit boards

### Applications

- Chemical & Petrochemical
- Plastic and Rubber
- Pulp and Paper
- Sugar and Alcohol
- Beverages
- Cement and Mining
- Food and Beverage
- Textile
- Metallurgy
- Ceramics
- Glass
- Refrigeration
- Wood
- Sanitation
- Load Transportation
- Pumps and Fans



## SSW07 Catalog Number Sequence



1) Aux. Cooling Fan for SSW07 Frame 4 Only  
Requires 120 Vac Single-Phase Power

*Table intended as reference only and not to create part numbers.*

## SSW07

### Protected Chassis Enclosure

| Motor Voltage | Standard Duty<br>(300%, 30s, 10 starts/hr @ 55°C) |                           | Heavy Duty <sup>4</sup><br>(450%, 30s, 4 starts/hr @ 55°C) |                           | Catalog Number<br>(Old Catalog Number) | Frame Size | Dimensions (in.)<br>HxWxD | Approx. Weight (lbs.) | List Price | Multiplier<br>New (Old) |  |
|---------------|---|---------------------------|--|---------------------------|--|------------|---------------------------|-----------------------|------------|-------------------------|--|
|               | Motor HP <sup>1</sup>                             | Starter Amps <sup>2</sup> | Motor HP <sup>1</sup>                                      | Starter Amps <sup>2</sup> |  |            |                           |                       |            |                         |  |
| 230 Vac       | Input Power Supply: Three-Phase 230 Vac           |                           |  |                           |  |            |                           |                       |            |                         |  |
|               | 5   | 17                        | 5  | 14                        | SSW070017T5SZ                          | 1          | 6.4 x 2.3 x 5.7           | 2.9                   | \$1,158    | E17 (E1)                |  |
|               | 7.5   | 24                        | 7.5  | 20                        | SSW070024T5SZ                          | 1          | 6.4 x 2.3 x 5.7           | 2.9                   | \$1,241    | E17 (E1)                |  |
|               | 10  | 30                        | 10   | 25                        | SSW070030T5SZ                          | 1          | 6.4 x 2.3 x 5.7           | 2.9                   | \$1,281    | E17 (E1)                |  |
|               | 15  | 45                        | 10   | 31                        | SSW070045T5SZ <sup>3</sup>             | 2          | 8.2 x 5.6 x 8.0           | 7.3                   | \$1,461    | E17 (E1)                |  |
|               | 25  | 61                        | 15   | 43                        | SSW070061T5SZ <sup>3</sup>             | 2          | 8.2 x 5.6 x 8.0           | 7.3                   | \$1,646    | E17 (E1)                |  |
|               | 30  | 85                        | 20/25  | 60                        | SSW070085T5SZ <sup>3</sup>             | 2          | 8.2 x 5.6 x 8.0           | 7.3                   | \$1,992    | E17 (E1)                |  |
|               | 50  | 130                       | 30/40  | 94                        | SSW070130T5SZ <sup>3</sup>             | 3          | 10.9 x 8.6 x 8.7          | 16.8                  | \$2,501    | E17 (E1)                |  |
|               | 60  | 171                       | 50   | 125                       | SSW070171T5SZ <sup>3</sup>             | 3          | 10.9 x 8.6 x 8.7          | 16.8                  | \$3,177    | E17 (E1)                |  |
|               | 75  | 200                       | 60   | 150                       | SSW070200T5SZ <sup>3</sup>             | 3          | 10.9 x 8.6 x 8.7          | 16.8                  | \$3,766    | E17 (E1)                |  |
|               | 100   | 255                       | 75   | 185                       | SSW070255T5SH1Z<br>(SSW070255T5SZ)     | 4          | 13.0 x 9.0 x 9.6          | 28.2                  | \$4,598    | E17 (E1)                |  |
|               | 125   | 312                       | 75   | 224                       | SSW070312T5SH1Z<br>(SSW070312T5SZ)     | 4          | 13.0 x 9.0 x 9.6          | 28.2                  | \$4,992    | E17 (E1)                |  |
|               | 150   | 365                       | 100  | 263                       | SSW070365T5SH1Z<br>(SSW070365T5SZ)     | 4          | 13.0 x 9.0 x 9.6          | 28.2                  | \$5,187    | E17 (E1)                |  |
|               | 150   | 412                       | 125  | 298                       | SSW070412T5SH1Z<br>(SSW070412T5SZ)     | 4          | 13.0 x 9.0 x 9.6          | 28.2                  | \$6,088    | E17 (E1)                |  |
| 460 Vac       | Input Power Supply: Three-Phase 460 Vac           |                           |  |                           |  |            |                           |                       |            |                         |  |
|               | 10  | 17                        | 10   | 14                        | SSW070017T5SZ                          | 1          | 6.4 x 2.3 x 5.7           | 2.9                   | \$1,158    | E17 (E1)                |  |
|               | 15  | 24                        | 15   | 20                        | SSW070024T5SZ                          | 1          | 6.4 x 2.3 x 5.7           | 2.9                   | \$1,241    | E17 (E1)                |  |
|               | 20  | 30                        | 20   | 25                        | SSW070030T5SZ                          | 1          | 6.4 x 2.3 x 5.7           | 2.9                   | \$1,281    | E17 (E1)                |  |
|               | 30  | 45                        | 25   | 31                        | SSW070045T5SZ <sup>3</sup>             | 2          | 8.2 x 5.6 x 8.0           | 7.3                   | \$1,461    | E17 (E1)                |  |
|               | 40/50   | 61                        | 30   | 43                        | SSW070061T5SZ <sup>3</sup>             | 2          | 8.2 x 5.6 x 8.0           | 7.3                   | \$1,646    | E17 (E1)                |  |
|               | 75  | 85                        | 40/50  | 60                        | SSW070085T5SZ <sup>3</sup>             | 2          | 8.2 x 5.6 x 8.0           | 7.3                   | \$1,992    | E17 (E1)                |  |
|               | 100   | 130                       | 60/75  | 94                        | SSW070130T5SZ <sup>3</sup>             | 3          | 10.9 x 8.6 x 8.7          | 16.8                  | \$2,501    | E17 (E1)                |  |
|               | 125   | 171                       | 100  | 125                       | SSW070171T5SZ <sup>3</sup>             | 3          | 10.9 x 8.6 x 8.7          | 16.8                  | \$3,177    | E17 (E1)                |  |
|               | 150   | 200                       | 125  | 150                       | SSW070200T5SZ <sup>3</sup>             | 3          | 10.9 x 8.6 x 8.7          | 16.8                  | \$3,766    | E17 (E1)                |  |
|               | 200   | 255                       | 150  | 185                       | SSW070255T5SH1Z<br>(SSW070255T5SZ)     | 4          | 13.0 x 9.0 x 9.6          | 28.2                  | \$4,598    | E17 (E1)                |  |
|               | 250   | 312                       | 175  | 224                       | SSW070312T5SH1Z<br>(SSW070312T5SZ)     | 4          | 13.0 x 9.0 x 9.6          | 28.2                  | \$4,992    | E17 (E1)                |  |
|               | 300   | 365                       | 200  | 263                       | SSW070365T5SH1Z<br>(SSW070365T5SZ)     | 4          | 13.0 x 9.0 x 9.6          | 28.2                  | \$5,187    | E17 (E1)                |  |
|               | 350   | 412                       | 250  | 298                       | SSW070412T5SH1Z<br>(SSW070412T5SZ)     | 4          | 13.0 x 9.0 x 9.6          | 28.2                  | \$6,088    | E17 (E1)                |  |

<sup>\*</sup>Notes:

- <sup>1</sup> "HP" rating based on FLA values from WEG W22, 2 and 4 pole, NEMA Premium motors.
- <sup>2</sup> Motor FLA may vary with speed and manufacturer. ALWAYS compare motor FLA to Nominal AMPS of starter.
- <sup>3</sup> Must be used with Ventilation kit.
- <sup>4</sup> Crusher, loaded Conveyor, Shredder, wood chipper, centrifuge, High inertia centrifugal fan, ball mill, hammer mill etc. are application examples where Heavy duty rated soft starter shall be used. <sup>\*</sup>



Protected Chassis Enclosure

| Motor Voltage | Standard Duty<br>(300%, 30s, 10 starts/hr @ 55°C) |                           | Heavy Duty <sup>4</sup><br>(450%, 30s, 4 starts/hr @ 55°C) |                           | Catalog Number<br>(Old Catalog Number) | Frame Size | Dimensions<br>(in.)<br>HxWxD | Approx. Weight<br>(lbs.) | List Price | Multiplier<br>New (Old) |  |
|---------------|---|---------------------------|--|---------------------------|--|------------|------------------------------|--------------------------|------------|-------------------------|--|
|               | Motor HP <sup>1</sup>                             | Starter Amps <sup>2</sup> | Motor HP <sup>1</sup>                                      | Starter Amps <sup>2</sup> |  |            |                              |                          |            |                         |  |
| 575 Vac       | Input Power Supply: Three-Phase 230 Vac           |                           |  |                           |  |            |                              |                          |            |                         |  |
|               | 15  | 17                        | 10   | 14                        | SSW070017T5SZ                          | 1          | 6.4 x 2.3 x 5.7              | 2.9                      | \$1,158    | E17 (E1)                |  |
|               | 25  | 24                        | 20   | 20                        | SSW070024T5SZ                          | 1          | 6.4 x 2.3 x 5.7              | 2.9                      | \$1,241    | E17 (E1)                |  |
|               | 30  | 30                        | 25   | 25                        | SSW070030T5SZ                          | 1          | 6.4 x 2.3 x 5.7              | 2.9                      | \$1,281    | E17 (E1)                |  |
|               | 40  | 45                        | 30   | 31                        | SSW070045T5SZ <sup>3</sup>             | 2          | 8.2 x 5.6 x 8.0              | 7.3                      | \$1,461    | E17 (E1)                |  |
|               | 60  | 61                        | 40   | 43                        | SSW070061T5SZ <sup>3</sup>             | 2          | 8.2 x 5.6 x 8.0              | 7.3                      | \$1,646    | E17 (E1)                |  |
|               | 75  | 85                        | 50/60  | 60                        | SSW070085T5SZ <sup>3</sup>             | 2          | 8.2 x 5.6 x 8.0              | 7.3                      | \$1,992    | E17 (E1)                |  |
|               | 125   | 130                       | 75/100   | 94                        | SSW070130T5SZ <sup>3</sup>             | 3          | 10.9 x 8.6 x 8.7             | 16.8                     | \$2,501    | E17 (E1)                |  |
|               | 150   | 171                       | 125  | 125                       | SSW070171T5SZ <sup>3</sup>             | 3          | 10.9 x 8.6 x 8.7             | 16.8                     | \$3,177    | E17 (E1)                |  |
|               | 200   | 200                       | 150  | 150                       | SSW070200T5SZ <sup>3</sup>             | 3          | 10.9 x 8.6 x 8.7             | 16.8                     | \$3,766    | E17 (E1)                |  |
|               | 250   | 255                       | 200  | 185                       | SSW070255T5SH1Z<br>(SSW070255T5SZ)     | 4          | 13.0 x 9.0 x 9.6             | 28.2                     | \$4,598    | E17 (E1)                |  |
|               | 300   | 312                       | 250  | 224                       | SSW070312T5SH1Z<br>(SSW070312T5SZ)     | 4          | 13.0 x 9.0 x 9.6             | 28.2                     | \$4,992    | E17 (E1)                |  |
|               | 400   | 365                       | 250  | 263                       | SSW070365T5SH1Z<br>(SSW070365T5SZ)     | 4          | 13.0 x 9.0 x 9.6             | 28.2                     | \$5,187    | E17 (E1)                |  |
|               | 450   | 412                       | 300  | 298                       | SSW070412T5SH1Z<br>(SSW070412T5SZ)     | 4          | 13.0 x 9.0 x 9.6             | 28.2                     | \$6,088    | E17 (E1)                |  |

\*Notes:

- 1) "HP" rating based on FLA values from WEG W22, 2 and 4 pole, NEMA Premium motors.
- 2) Motor FLA may vary with speed and manufacturer. ALWAYS compare motor FLA to Nominal AMPS of starter.
- 3) Must be used with Ventilation kit.
- 4) Crusher, loaded Conveyor, Shredder, wood chipper, centrifuge, High inertia centrifugal fan, ball mill, hammer mill etc. are application examples where Heavy duty rated soft starter shall be used. \*

## SSW07

### Options and Accessories

| Type          | Catalog Number                        | Description  | Approx. Weight (lbs.) | List Price   | Multiplier New (Old) |
|---------------|---------------------------------------|--|-----------------------|--------------|----------------------|
| Keypad        | <b>SSW07-08-HMI-LOC</b>               | Local Keypad - Mounts on SSW07 Soft Starter                            | 1.1                   | <b>\$174</b> | E17 (E1)             |
|               | <b>SSW07-HMI-REM</b>                  | Remote Keypad Kit - Includes HMI and Interface Module                  | 3.1                   | <b>\$340</b> | E17 (E1)             |
|               | <b>SSW07-HMI-REM-485</b>              | Remote Keypad Kit - Includes HMI RS485 Comm. Card                      | 3.8                   | <b>\$427</b> | E17 (E1)             |
| Remote Cable  | <b>CAB-RS-1</b>                       | 3.3 ft (1 meter) Remote Keypad Cable                                   | 0.5                   | <b>\$23</b>  | E17 (V1)             |
|               | <b>CAB-RS-2</b>                       | 6.6 ft (2 meter) Remote Keypad Cable                                   | 0.7                   | <b>\$31</b>  | E17 (V1)             |
|               | <b>SSW05-07-08-CRS-3M</b>             | 9.9 ft (3 meter) Remote Keypad Cable                                   | 1.0                   | <b>\$41</b>  | E17 (V1)             |
|               | <b>SSW05-07-08-CRS-5M</b>             | 16 ft (5 meter) Remote Keypad Cable                                    | 1.2                   | <b>\$51</b>  | E17 (V1)             |
|               | <b>CAB-RS-7.5</b>                     | 25 ft (7.5 meter) Remote Keypad Cable                                  | 1.5                   | <b>\$62</b>  | E17 (V1)             |
|               | <b>CAB-RS-10</b>                      | 33 ft (10 meter) Remote Keypad Cable                                   | 2.0                   | <b>\$72</b>  | E17 (V1)             |
| Communication | <b>SSW07-08-KRS-232</b>               | RS-232 Communication Kit   | 1.6                   | <b>\$121</b> | E17 (E1)             |
|               | <b>SSW07-08-KRS-485</b>               | RS-485 Communication Kit   | 1.6                   | <b>\$201</b> | E17 (E1)             |
|               | <b>CAB-COMM-3</b>                     | Cable for Communication RS232 (DB9-DB9) - 9.9ft. (3 meter)             | 1.1                   | <b>\$75</b>  | E17 (E1)             |
|               | <b>CAB-COMM-10</b>                    | Cable for Communication RS232 (DB9-DB9) - 33 ft (10 meter)             | 2.0                   | <b>\$164</b> | E17 (E1)             |
|               | <b>KFB-DN-SSW07</b>                   | DeviceNet Communication Kit plus Remote HMI Connection                 | 2.3                   | <b>\$353</b> | E17 (E1)             |
| Kits          | <b>SSW0708900-KVT-2B</b> <sup>1</sup> | Ventilation Kit M2 (Frame Size 2, 45 to 85A)                           | 1.4                   | <b>\$65</b>  | E17 (E1)             |
|               | <b>SSW0708900-KVT-3C</b> <sup>1</sup> | Ventilation Kit M3 (Frame Size 3, 130 to 200A)                         | 1.4                   | <b>\$94</b>  | E17 (E1)             |
|               | <b>SSW07-08-KPTC-MTR</b>              | PTC Kit for motor  | 0.8                   | <b>\$123</b> | E17 (E1)             |
|               | <b>SSW0708900-IP20-3C</b>             | IP20 Kit for M3 (Frame Size 3, 130 to 200A)                            | 1.1                   | <b>\$62</b>  | E17 (E1)             |
|               | <b>SSW0708900-IP20-4D</b>             | IP20 Kit for M4 (Frame Size 4, 255 to 412A)                            | 1.1                   | <b>\$130</b> | E17 (E1)             |
|               | <b>KSDG2-SSW07</b>                    | Superdrive G2 Kit<br>(Includes KRS-232-SSW07, CAB-COMM-3, CD Software) | 1.9                   | <b>\$225</b> | E17 (E1)             |

Notes:

1) M2 and M3 Ventilation Kit Cooling Fans require 120 Vac Single-Phase Power

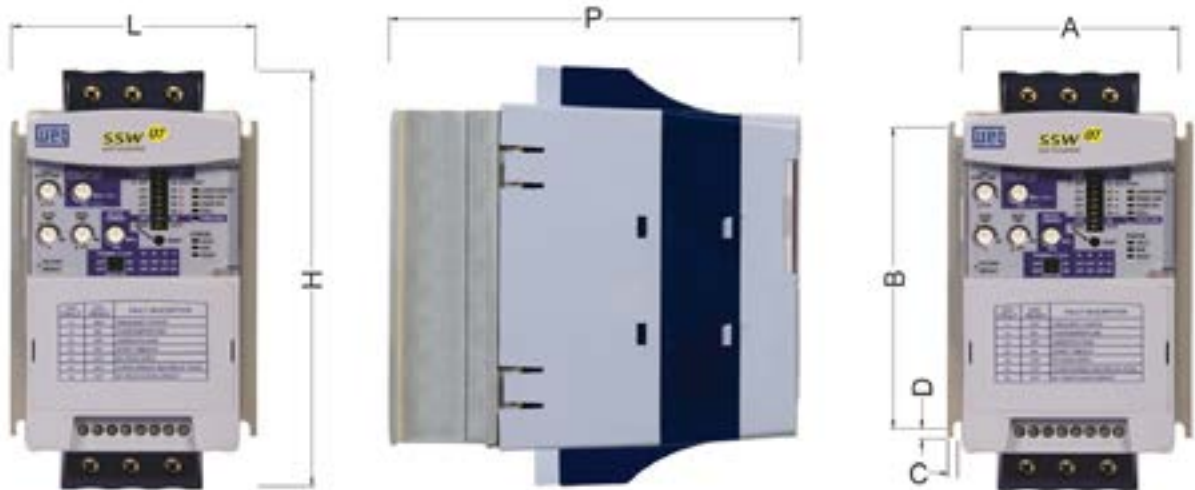


**HMI-REMOTE-SSW07; REMOTE KEYPAD**

### Dimensions

| Frame Size IP20" | Height 'H' in. (mm) | "Width 'L' in. (mm)" | "Depth 'P' in. (mm)" | "A' in. (mm)" | "B' in. (mm)" | "C' in. (mm)" | "D' in. (mm)" | "Mounting Screw in. (metric)" | "Weight Lbs. (kG)" |
|------------------|---------------------|----------------------|----------------------|---------------|---------------|---------------|---------------|-------------------------------|--------------------|
| 1                | 6.4 (162)           | 3.8 (95)             | 6.2 (157)            | 3.4 (85)      | 4.8 (120)     | 0.20 (5)      | 0.16 (4.0)    | 5/32 (M4)                     | 2.9 (1.3)          |
| 2                | 8.3 (208)           | 5.6 (141)            | 8.0 (202)            | 5.2 (132)     | 5.9 (148)     | 0.25 (6)      | 0.13 (3.4)    | 5/32 (M4)                     | 7.3 (3.3)          |
| 3                | 10.9 (276)          | 8.6 (218)            | 8.7 (220)            | 8.2 (208)     | 8.3 (210)     | 0.30 (7.5)    | 0.20 (5.0)    | 3/16 (M5)                     | 16.8 (7.6)         |
| 4 *              | 13.1 (331)          | 9.0 (227)            | 9.6 (242)            | 9.6 (242)     | 11.0 (280)    | 0.60 (15)     | 0.35 (9.0)    | 5/16 (M8)                     | 25.4 (11.5)        |

\* Frame 4 is IP00 protection rating. See Page 80 for IP20 kit.



## SSW07

### Technical Data

|                              |                     |   |                                |
|------------------------------|---------------------|---|--------------------------------|
| <b>Power Supply</b>          | Power               | 220 to 575 Vac  |                                |
|                              | Control             | 110 to 240 Vca (-15% to +10%), or 91 to 264 Vac, Models from 17A to 200A<br>110 to 130 Vca (-15% to +10%), or 91 to 143 Vac, Models from 255A and above       |                                |
|                              | Frequency           | 50 to 60 Hz (+/- 10%), or 45 to 66 Hz   |                                |
| <b>Enclosure</b>             | Injected plastic    | IP20 in models from 17 to 85 A  |                                |
|                              |                     | IP00 in models from 130 to 200 A (IP20 as option)   |                                |
| <b>Control</b>               | Control Method      | Voltage variation over the load (three-phase induction motor)   |                                |
|                              | CPU                 | DSP type microcontroller (Digital Signal Processor)   |                                |
|                              | Types of Control    | Voltage ramp<br>Current limit adjustable 150 - 450%   |                                |
| <b>Ambient</b>               | Temperature         | 32...132 F (0...55C)  |                                |
|                              | Humidity            | Humidity 5% ... 90% non condensing  |                                |
|                              | Altitude            | 0...3300 ft (0 ... 1000m): standard operation at rated current.<br>Up to 13300 ft (4000m): with 10% / 1000m output current de rating.                         |                                |
| <b>Starting Cycle (1)</b>    | Normal              | 300% (3 x Inom.) during 30 s, 10 starts per hour ( every 6 minutes)   |                                |
| <b>Inputs</b>                | Digital             | 3 isolated programmable inputs (120Vac)   |                                |
| <b>Outputs</b>               | Relay               | 2 relays with NO contacts, 240Vac, 1A, programmable functions   |                                |
| <b>Safety</b>                | Standard Protection | Overcurrent;  | Locked Rotor                   |
|                              |                     | Overcurrent before By-pass  | Excess starting time           |
|                              |                     | Phase loss;   | Frequency outside tolerance    |
|                              |                     | Inverted phase sequence;  | By-pass contact open           |
|                              |                     | Overtemperature in power heatsink;  | Undervoltage in control supply |
|                              |                     | Motor Overload (class 5 to 30)  |                                |
|                              |                     | Undercurrent  | Programming error              |
|                              |                     | Current imbalance   | Serial communication error     |
|                              |                     | Subcurrent before By-pass   | MMI communication error        |
|                              |                     | External defects  | Overtemperature in motor PTC   |
| <b>Functions / Resources</b> | Standard            | Voltage ramp (Initial voltage: 30% to 90%)  |                                |
|                              |                     | Current limitation (150% to 450% of SSW-07 rated current)   |                                |
|                              |                     | Starting time (1 to 40s)  |                                |
|                              |                     | Kick Start (Off - 0,2 to 2s)  |                                |
|                              |                     | Deceleration ramp ( 0 to 40s)   |                                |
|                              |                     | Motor and SSW-07 current relation (50% to 100%)   |                                |
|                              |                     | Faults auto-reset   |                                |
|                              |                     | Thermal memory auto-reset   |                                |
|                              |                     | Factory standard reset  |                                |
|                              |                     | Soft-starter built-in By-pass   |                                |
| <b>Ambient</b>               | Temperature         | 0...131 °F (0 ... 55°C): standard operation at rated current  |                                |
|                              | Humidity            | 20 ... 90%, non condensing  |                                |
|                              | Altitude            | 0...3300 ft (0 ... 1000 m): standard operation at rated current<br>Up to 13300 ft (4000 m): with 1% output current De-rating for every 100 meter above 1000m. |                                |

Note:  
1) For the 45 to 200 Amp units using the ventilation kit.

Continued on next page

### Technical Data - *continued*

|  |                                  |   |
|--|----------------------------------|---|
| <b>Programming Accessory<br/>(MMI or Serial communication)</b> | Command                          | On, Off / Reset and Parameterization (function Programming)   |
|  | Additional Functions / Resources | Starting time up to 240s                                      |
|  |                                  | Deceleration time up to 240s                                  |
|  |                                  | Program enabling password                                     |
|  |                                  | Selection for Local / Remote operation                        |
|  |                                  | COPY function (SSW-07 >>> MMI and MMI >>> SSW-07)             |
|  | Supervision (Reading)            | Programmable rated voltage                                    |
|  |                                  | Motor current (%Soft-Starter In)                              |
|  |                                  | Motor current (%motor In)                                     |
|  |                                  | Motor current (A)   |
|  |                                  | Current indication in each phase R-S-T                        |
|  |                                  | Supply network frequency                                      |
|  |                                  | Apparent power supplied to load (kVA)                         |
|  |                                  | Soft-Starter status   |
| Digital input and output status                                |                                  |   |
| Back up of 4 last errors                                       |                                  |   |
| Soft-Starter Software Version                                  |                                  |   |
| Heatsink temperature   |                                  |   |
| Motor thermal protection status                                |                                  |   |
| <b>Accessories and Options</b>                                 | Options                          | Plug-in type local MMI  |
|  |                                  | MMI remote Kit  |
|  |                                  | 1,2,3,5,7.5 and 10m for remote MMI interconnection            |
|  |                                  | RS-232 communication kit                                      |
|  |                                  | SSW-07 interconnection cables>>> PC Serial (RS-232) 3 and 10m |
|  |                                  | RS-485 communication kit                                      |
|  |                                  | Motor PTC kit   |
|  |                                  | Ventilation kit for size 2 (45 to 85 A)                       |
|  |                                  | Ventilation kit for size 3 (130 to 200 A)                     |
|  |                                  | IP20 kit for size 3 (130 to 200 A)                            |
| <b>Finishing</b>   | Color                            | Lid: Gray Ultra Mat   |
|  |                                  | Cabinet: Blue Ultra Mat                                       |
| <b>Certifications</b>  | Safety                           | UL 508 Standard- Industrial Control Equipment                 |
|  | Low voltage                      | EN60947-4-2;LVD 2006/95/EC Standard - Low voltage Directive   |
|  | EMC                              | EMC 89/336/EEC Directive - Industrial Environment             |
|  | UL (USA) / cUL (Canada)          | Underwriters Laboratories Inc. - USA                          |
|  | CE (Europe)                      | Conformity test conducted by EPCOS                            |
|  | C-Tick (Australia)               | Australian Communication Authority                            |
|  | GOST (Russia)                    |   |

# SSW900 - Reduced Voltage Soft Starter

The Next Generation Advanced RVSS with Bluetooth Capability

Combining convenience and innovation, the SSW900 is the right choice for a complete motor protection and start/stop control. Developed for industrial use, the new line of soft-starters allows easy and simple access to the configuration settings and application data. Using a well-structured menu interface, the SSW900 line provides an unprecedented experience of interactivity with the user, allowing adjustments and configurations with online parameter help right on the Keypad. In addition, event logs with date and time & set up assistant are available. All models of SSW900 soft starter have built in AC1 bypass, which contributes to extending the life of the soft starter, optimizing space, and reducing heat dissipation inside electric panels.

## Standard Features

- Universal Power Supply - 10A to 1400A @ 220vac - 575vac (+10% / -15%).
- 1/90-250Vac auxiliary control voltage.
- Built in AC1 bypass contactors for all models.
- Conformal coated circuit board.
- Detachable Text/Graphic Keypad with USB port & with built-in Bluetooth (Bluetooth allows easy programming & monitoring of SSW900 using Cell phone app "WEG WPS".)
- Real time clock with event log & Copy function.
- Oriented start-up and online help.
- Voltage ramp, Voltage ramp + Current Limit, Current Limit, Pump Control, Torque control, Direct on line (DOL) start modes.
- 2 independent slots to connect plug-in modules.
- Five isolated programmable digital inputs.
- One motor thermistor input.
- Three programmable relay outputs (2 Amp - 240V).
- One programmable analog output (0-10V, 0/4-20mA).
- Built-in SoftPLC (requires PC with WEG WPS software).
- Diagnostic features: overvoltage & undervoltage, voltage imbalance between phases, phase sequence, Motor overload and underload, overcurrent & undercurrent, current imbalance, Short circuit, SCRs under and over temperature, Time between starts etc.
- Display readings: Three main display screens, each display screen can be configured to display nine variables like motor current, input & output voltage, output power, Power factor, motor torque etc.
- Ambient: 32°F to 131°F (55°C) / 104°F (40°C), frame dependent.
- Optional Communication: RS-485 (Modbus RTU), CANopen, DeviceNet, Profibus DP, Ethernet/IP, Modbus TCP/IP, ProfiNet IO.

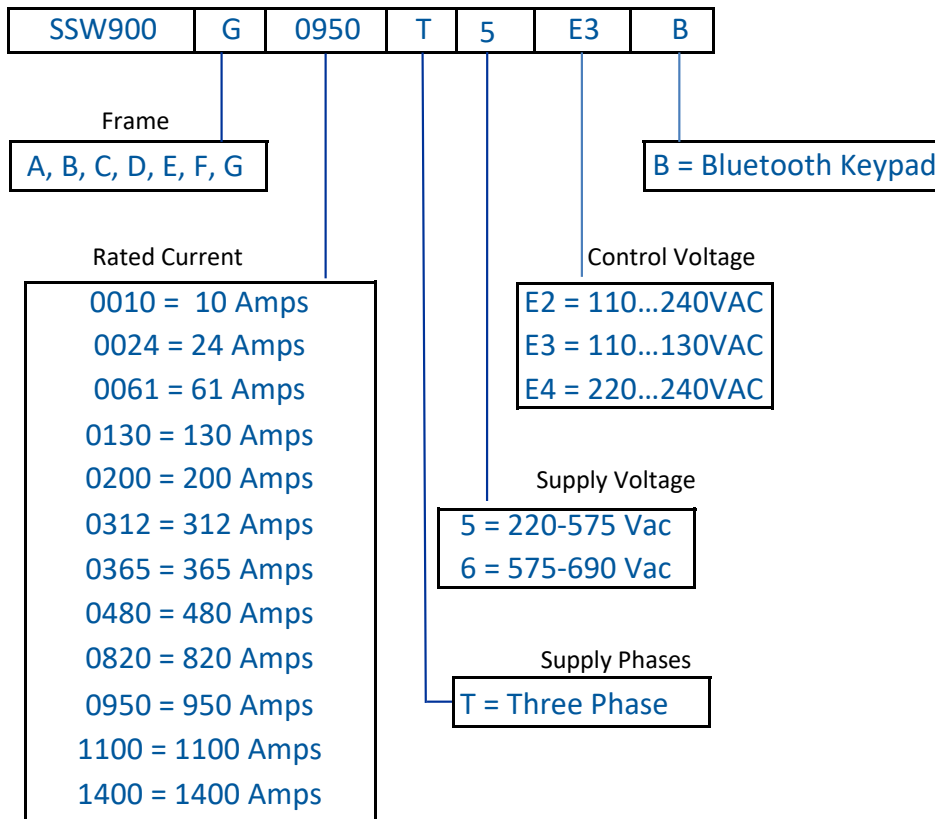


## Applications

- Pumps
- Fans/Blowers
- Mixers/Grinders
- Compressors
- Conveyors
- Centrifuges
- Crushers
- Ball & Hammer Mills



### SSW900 Catalog Number Sequence



INDEX  
 WARRANTY INFO  
 CFW100 G2  
 CFW300  
 CFW500 G2  
 CFW500 G1  
 CFW700  
 CFW11  
 CFW11M  
 PUMP GENIUS  
 CFW501  
 CFW701  
 SSW05  
 SSW07  
 SSW900  
 SSW7000  
 EDP11  
 GPH2  
 APS9  
 MFM

# Soft Starters



## SSW900

### Protected Chassis Enclosure

| Motor Voltage | Motor HP <sup>1</sup>           | Starter Amps <sup>2</sup> | Motor HP <sup>1</sup>          | Starter Amps <sup>2</sup> | Catalog Number                              | Frame Size <sup>3</sup> | Dimensions (in.) HxWxD | Approx. Weight (lbs.) | List Price | Multiplier New (Old) |
|---------------|---------------------------------|---------------------------|--------------------------------|---------------------------|---|-------------------------|------------------------|-----------------------|------------|----------------------|
|               | Standard Duty                   |                           | Heavy Duty <sup>4</sup>        |                           |   |                         |                        |                       |            |                      |
| 3 Ph, 230 Vac | 300%, 30 s, 10 starts/hr @ 55°C |                           | 450%, 30 s, 4 starts/hr @ 55°C |                           | Input Power Supply: Three-Phase 200-240 Vac |                         |                        |                       |            |                      |
|               | 3                               | 10                        | 3                              | 10                        | SSW900A0010T5E2B                            | A                       | 7.9" x 5.0" x 8.0"     | 4.3                   | \$1,386    | E19 (E1)             |
|               | 5                               | 17                        | 5                              | 14                        | SSW900A0017T5E2B                            | A                       | 7.9" x 5.0" x 8.0"     | 4.3                   | \$1,429    | E19 (E1)             |
|               | 7.5                             | 24                        | 7.5                            | 20                        | SSW900A0024T5E2B                            | A                       | 7.9" x 5.0" x 8.0"     | 4.3                   | \$1,572    | E19 (E1)             |
|               | 10                              | 30                        | 10                             | 25                        | SSW900A0030T5E2B                            | A                       | 7.9" x 5.0" x 8.0"     | 4.3                   | \$1,703    | E19 (E1)             |
|               | 15                              | 45                        | 10                             | 31                        | SSW900B0045T5E2B <sup>3</sup>               | B                       | 8.2" x 5.7" x 10.2"    | 8.9                   | \$1,976    | E19 (E1)             |
|               | 25                              | 61                        | 15                             | 43                        | SSW900B0061T5E2B <sup>3</sup>               | B                       | 8.2" x 5.7" x 10.2"    | 8.9                   | \$2,181    | E19 (E1)             |
|               | 30                              | 85                        | 20/25                          | 60                        | SSW900B0085T5E2B <sup>3</sup>               | B                       | 8.2" x 5.7" x 10.2"    | 8.9                   | \$2,771    | E19 (E1)             |
|               | 40                              | 105                       | 30                             | 75                        | SSW900B0105T5E2B <sup>3</sup>               | B                       | 8.2" x 5.7" x 10.2"    | 8.9                   | \$3,160    | E19 (E1)             |
|               | 50                              | 130                       | 40                             | 94                        | SSW900C0130T5E2B <sup>3</sup>               | C                       | 10.9" x 8.8" x 10.3"   | 14.4                  | \$3,547    | E19 (E1)             |
|               | 60                              | 171                       | 50                             | 125                       | SSW900C0171T5E2B <sup>3</sup>               | C                       | 10.9" x 8.8" x 10.3"   | 14.4                  | \$4,270    | E19 (E1)             |
|               | 75                              | 200                       | 60                             | 150                       | SSW900C0200T5E2B <sup>3</sup>               | C                       | 10.9" x 8.8" x 10.3"   | 14.4                  | \$5,354    | E19 (E1)             |
|               | 100                             | 255                       | 75                             | 185                       | SSW900D0255T5E3B                            | D                       | 13.0" x 8.9" x 11.1"   | 28.3                  | \$7,188    | E19 (E1)             |
|               | 125                             | 312                       | 75                             | 224                       | SSW900D0312T5E3B                            | D                       | 13.0" x 8.9" x 11.1"   | 28.3                  | \$7,896    | E19 (E1)             |
|               | 150                             | 365                       | 100                            | 263                       | SSW900D0365T5E3B                            | D                       | 13.0" x 8.9" x 11.1"   | 28.3                  | \$8,721    | E19 (E1)             |
|               | 150                             | 412                       | 125                            | 298                       | SSW900D0412T5E3B                            | D                       | 13.0" x 8.9" x 11.1"   | 28.3                  | \$9,465    | E19 (E1)             |
|               | 300%, 30 s, 5 starts/hr @ 40°C  |                           | 450%, 30 s, 4 starts/hr @ 40°C |                           | Input Power Supply: Three-Phase 230 Vac     |                         |                        |                       |            |                      |
|               | 200                             | 480                       | 150                            | 354                       | SSW900E0480T5E3B                            | E                       | 22.6" x 15.4" x 10.2"  | 83.7                  | \$11,730   | E19 (E1)             |
|               | 250                             | 604                       | 150                            | 409                       | SSW900E0604T5E3B                            | E                       | 22.6" x 15.4" x 10.2"  | 83.7                  | \$13,082   | E19 (E1)             |
|               | 250                             | 670                       | 175                            | 454                       | SSW900E0670T5E3B                            | E                       | 22.6" x 15.4" x 10.2"  | 83.7                  | \$14,878   | E19 (E1)             |
| 350           | 820                             | 200                       | 553                            | SSW900F0820T5E3B          | F   | 29.9" x 18.3" x 12.4"   | 166.2                  | \$17,573              | E19 (E1)   |                      |
| 400           | 950                             | 250                       | 643                            | SSW900F0950T5E3B          | F   | 29.9" x 18.3" x 12.4"   | 166.2                  | \$26,592              | E19 (E1)   |                      |
| 450           | 1100                            | 300                       | 745                            | SSW900G1100T5E3B          | G   | 36.0" x 21.2" x 12.4"   | 236.3                  | \$33,351              | E19 (E1)   |                      |
| 550           | 1400                            | 400                       | 953                            | SSW900G1400T5E3B          | G   | 36.0" x 21.2" x 12.4"   | 236.3                  | \$42,863              | E19 (E1)   |                      |

\*Notes:

- 1) "HP" rating based on FLA values from WEG W22, 2 and 4 pole, NEMA Premium motors.
- 2) Motor FLA may vary with speed and manufacturer. ALWAYS compare motor FLA to Nominal AMPS of starter.
- 3) Must be used with Ventilation kit.
- 4) Crusher, loaded Conveyor, Shredder, wood chipper, centrifuge, High inertia centrifugal fan, ball mill, hammer mill etc. are application examples where Heavy duty rated soft starter shall be used. \*

### Protected Chassis Enclosure

| Motor Voltage | Motor HP <sup>1</sup>           | Starter Amps <sup>2</sup> | Motor HP <sup>1</sup>          | Starter Amps <sup>2</sup> | Catalog Number                                | Frame Size <sup>3</sup> | Dimensions (in.) HxWxD | Approx. Weight (lbs.) | List Price      | Multiplier New (Old) |
|---------------|---------------------------------|---------------------------|--------------------------------|---------------------------|---|-------------------------|------------------------|-----------------------|-----------------|----------------------|
|               | Standard Duty                   |                           | Heavy Duty <sup>4</sup>        |                           |   |                         |                        |                       |                 |                      |
| 3 Ph, 460 Vac | 300%, 30 s, 10 starts/hr @ 55°C |                           | 450%, 30 s, 4 starts/hr @ 55°C |                           | Input Power Supply: Three-Phase 460 Vac       |                         |                        |                       |                 |                      |
|               | 5                               | 10                        | 5                              | 10                        | <a href="#">SSW900A0010T5E2B</a>              | A                       | 7.9" x 5.0" x 8.0"     | 4.3                   | <b>\$1,386</b>  | E19 (E1)             |
|               | 10                              | 17                        | 10                             | 14                        | <a href="#">SSW900A0017T5E2B</a>              | A                       | 7.9" x 5.0" x 8.0"     | 4.3                   | <b>\$1,429</b>  | E19 (E1)             |
|               | 15                              | 24                        | 15                             | 20                        | <a href="#">SSW900A0024T5E2B</a>              | A                       | 7.9" x 5.0" x 8.0"     | 4.3                   | <b>\$1,572</b>  | E19 (E1)             |
|               | 20                              | 30                        | 20                             | 25                        | <a href="#">SSW900A0030T5E2B</a>              | A                       | 7.9" x 5.0" x 8.0"     | 4.3                   | <b>\$1,703</b>  | E19 (E1)             |
|               | 30                              | 45                        | 25                             | 31                        | <a href="#">SSW900B0045T5E2B</a> <sup>3</sup> | B                       | 8.2" x 5.7" x 10.2"    | 8.9                   | <b>\$1,976</b>  | E19 (E1)             |
|               | 40/50                           | 61                        | 30                             | 43                        | <a href="#">SSW900B0061T5E2B</a> <sup>3</sup> | B                       | 8.2" x 5.7" x 10.2"    | 8.9                   | <b>\$2,181</b>  | E19 (E1)             |
|               | 60/75                           | 85                        | 40/50                          | 60                        | <a href="#">SSW900B0085T5E2B</a> <sup>3</sup> | B                       | 8.2" x 5.7" x 10.2"    | 8.9                   | <b>\$2,771</b>  | E19 (E1)             |
|               | 75                              | 105                       | 60                             | 75                        | <a href="#">SSW900B0105T5E2B</a> <sup>3</sup> | B                       | 8.2" x 5.7" x 10.2"    | 8.9                   | <b>\$3,160</b>  | E19 (E1)             |
|               | 100                             | 130                       | 75                             | 94                        | <a href="#">SSW900C0130T5E2B</a> <sup>3</sup> | C                       | 10.9" x 8.8" x 10.3"   | 14.4                  | <b>\$3,547</b>  | E19 (E1)             |
|               | 125                             | 171                       | 100                            | 125                       | <a href="#">SSW900C0171T5E2B</a> <sup>3</sup> | C                       | 10.9" x 8.8" x 10.3"   | 14.4                  | <b>\$4,270</b>  | E19 (E1)             |
|               | 150                             | 200                       | 125                            | 150                       | <a href="#">SSW900C0200T5E2B</a> <sup>3</sup> | C                       | 10.9" x 8.8" x 10.3"   | 14.4                  | <b>\$5,354</b>  | E19 (E1)             |
|               | 200                             | 255                       | 150                            | 185                       | <a href="#">SSW900D0255T5E3B</a>              | D                       | 13.0" x 8.9" x 11.1"   | 28.3                  | <b>\$7,188</b>  | E19 (E1)             |
|               | 250                             | 312                       | 175                            | 224                       | <a href="#">SSW900D0312T5E3B</a>              | D                       | 13.0" x 8.9" x 11.1"   | 28.3                  | <b>\$7,896</b>  | E19 (E1)             |
|               | 300                             | 365                       | 200                            | 263                       | <a href="#">SSW900D0365T5E3B</a>              | D                       | 13.0" x 8.9" x 11.1"   | 28.3                  | <b>\$8,721</b>  | E19 (E1)             |
|               | 350                             | 412                       | 250                            | 298                       | <a href="#">SSW900D0412T5E3B</a>              | D                       | 13.0" x 8.9" x 11.1"   | 28.3                  | <b>\$9,465</b>  | E19 (E1)             |
|               | 300%, 30 s, 5 starts/hr @ 40°C  |                           | 450%, 30 s, 4 starts/hr @ 40°C |                           | Input Power Supply: Three-Phase 460 Vac       |                         |                        |                       |                 |                      |
|               | 400                             | 480                       | 300                            | 354                       | <a href="#">SSW900E0480T5E3B</a>              | E                       | 22.6" x 15.4" x 10.2"  | 83.7                  | <b>\$11,730</b> | E19 (E1)             |
|               | 500                             | 604                       | 350                            | 409                       | <a href="#">SSW900E0604T5E3B</a>              | E                       | 22.6" x 15.4" x 10.2"  | 83.7                  | <b>\$13,082</b> | E19 (E1)             |
|               | 600                             | 670                       | 400                            | 454                       | <a href="#">SSW900E0670T5E3B</a>              | E                       | 22.6" x 15.4" x 10.2"  | 83.7                  | <b>\$14,878</b> | E19 (E1)             |
|               | 700                             | 820                       | 450                            | 553                       | <a href="#">SSW900F0820T5E3B</a>              | F                       | 29.9" x 18.3" x 12.4"  | 166.2                 | <b>\$17,573</b> | E19 (E1)             |
|               | 800                             | 950                       | 500                            | 643                       | <a href="#">SSW900F0950T5E3B</a>              | F                       | 29.9" x 18.3" x 12.4"  | 166.2                 | <b>\$26,592</b> | E19 (E1)             |
|               | 900                             | 1100                      | 650                            | 745                       | <a href="#">SSW900G1100T5E3B</a>              | G                       | 36.0" x 21.2" x 12.4"  | 236.3                 | <b>\$33,351</b> | E19 (E1)             |
|               | 1200                            | 1400                      | 850                            | 953                       | <a href="#">SSW900G1400T5E3B</a>              | G                       | 36.0" x 21.2" x 12.4"  | 236.3                 | <b>\$42,863</b> | E19 (E1)             |

\*Notes:

- 1) "HP" rating based on FLA values from WEG W22, 2 and 4 pole, NEMA Premium motors.
- 2) Motor FLA may vary with speed and manufacturer. ALWAYS compare motor FLA to Nominal AMPS of starter.
- 3) Must be used with Ventilation kit.
- 4) Crusher, loaded Conveyor, Shredder, wood chipper, centrifuge, High inertia centrifugal fan, ball mill, hammer mill etc. are application examples where Heavy duty rated soft starter shall be used. \*

## SSW900

### Protected Chassis Enclosure

| Motor Voltage             | Motor HP <sup>1</sup>           | Starter Amps <sup>2</sup>      | Motor HP <sup>1</sup>          | Starter Amps <sup>2</sup>      | Catalog Number                          | Frame Size <sup>3</sup>                 | Dimensions (in.) HxWxD | Approx. Weight (lbs.) | List Price | Multiplier New (Old) |          |
|---------------------------|---------------------------------|--------------------------------|--------------------------------|--------------------------------|---|---|------------------------|-----------------------|------------|----------------------|----------|
|                           | Standard Duty                   |                                | Heavy Duty <sup>4</sup>        |                                |   |   |                        |                       |            |                      |          |
| 3 Ph, 575 Vac             | 300%, 30 s, 10 starts/hr @ 55°C |                                | 450%, 30 s, 4 starts/hr @ 55°C |                                | Input Power Supply: Three-Phase 575 Vac |   |                        |                       |            |                      |          |
|                           | 7.5                             | 10                             | 7.5                            | 10                             | SSW900A0010T5E2B                        | A                                       | 7.9" x 5.0" x 8.0"     | 4.3                   | \$1,386    | E19 (E1)             |          |
|                           | 15                              | 17                             | 10                             | 14                             | SSW900A0017T5E2B                        | A                                       | 7.9" x 5.0" x 8.0"     | 4.3                   | \$1,429    | E19 (E1)             |          |
|                           | 20                              | 24                             | 20                             | 20                             | SSW900A0024T5E2B                        | A                                       | 7.9" x 5.0" x 8.0"     | 4.3                   | \$1,572    | E19 (E1)             |          |
|                           | 30                              | 30                             | 25                             | 25                             | SSW900A0030T5E2B                        | A                                       | 7.9" x 5.0" x 8.0"     | 4.3                   | \$1,703    | E19 (E1)             |          |
|                           | 40                              | 45                             | 30                             | 31                             | SSW900B0045T5E2B <sup>3</sup>           | B                                       | 8.2" x 5.7" x 10.2"    | 8.9                   | \$1,976    | E19 (E1)             |          |
|                           | 60                              | 61                             | 40                             | 43                             | SSW900B0061T5E2B <sup>3</sup>           | B                                       | 8.2" x 5.7" x 10.2"    | 8.9                   | \$2,181    | E19 (E1)             |          |
|                           | 75                              | 85                             | 50/60                          | 60                             | SSW900B0085T5E2B <sup>3</sup>           | B                                       | 8.2" x 5.7" x 10.2"    | 8.9                   | \$2,771    | E19 (E1)             |          |
|                           | 100                             | 105                            | 75                             | 75                             | SSW900B0105T5E2B <sup>3</sup>           | B                                       | 8.2" x 5.7" x 10.2"    | 8.9                   | \$3,160    | E19 (E1)             |          |
|                           | 125                             | 130                            | 100                            | 94                             | SSW900C0130T5E2B <sup>3</sup>           | C                                       | 10.9" x 8.8" x 10.3"   | 14.4                  | \$3,547    | E19 (E1)             |          |
|                           | 150                             | 171                            | 125                            | 125                            | SSW900C0171T5E2B <sup>3</sup>           | C                                       | 10.9" x 8.8" x 10.3"   | 14.4                  | \$4,270    | E19 (E1)             |          |
|                           | 200                             | 200                            | 150                            | 150                            | SSW900C0200T5E2B <sup>3</sup>           | C                                       | 10.9" x 8.8" x 10.3"   | 14.4                  | \$5,354    | E19 (E1)             |          |
|                           | 250                             | 255                            | 200                            | 185                            | SSW900D0255T5E3B                        | D                                       | 13.0" x 8.9" x 11.1"   | 28.3                  | \$7,188    | E19 (E1)             |          |
|                           | 300                             | 312                            | 250                            | 230                            | SSW900D0312T5E3B                        | D                                       | 13.0" x 8.9" x 11.1"   | 28.3                  | \$7,896    | E19 (E1)             |          |
|                           | 350                             | 365                            | 250                            | 263                            | SSW900D0365T5E3B                        | D                                       | 13.0" x 8.9" x 11.1"   | 28.3                  | \$8,721    | E19 (E1)             |          |
|                           | 400                             | 412                            | 300                            | 298                            | SSW900D0412T5E3B                        | D                                       | 13.0" x 8.9" x 11.1"   | 28.3                  | \$9,465    | E19 (E1)             |          |
|                           |                                 | 300%, 30 s, 5 starts/hr @ 40°C |                                | 450%, 30 s, 4 starts/hr @ 40°C |   | Input Power Supply: Three-Phase 575 Vac |                        |                       |            |                      |          |
|                           |                                 | 500                            | 480                            | 350                            | 354                                     | SSW900E0480T5E3B                        | E                      | 22.6" x 15.4" x 10.2" | 83.7       | \$11,730             | E19 (E1) |
|                           |                                 | 650                            | 604                            | 400                            | 409                                     | SSW900E0604T5E3B                        | E                      | 22.6" x 15.4" x 10.2" | 83.7       | \$13,082             | E19 (E1) |
|                           |                                 | 750                            | 670                            | 500                            | 454                                     | SSW900E0670T5E3B                        | E                      | 22.6" x 15.4" x 10.2" | 83.7       | \$14,878             | E19 (E1) |
|                           | 850                             | 820                            | 600                            | 553                            | SSW900F0820T5E3B                        | F                                       | 29.9" x 18.3" x 12.4"  | 166.2                 | \$17,573   | E19 (E1)             |          |
|                           | 1050                            | 950                            | 700                            | 643                            | SSW900F0950T5E3B                        | F                                       | 29.9" x 18.3" x 12.4"  | 166.2                 | \$26,592   | E19 (E1)             |          |
|                           | 1200                            | 1100                           | 800                            | 745                            | SSW900G1100T5E3B                        | G                                       | 36.0" x 21.2" x 12.4"  | 236.3                 | \$33,351   | E19 (E1)             |          |
|                           | 1500                            | 1400                           | 1050                           | 953                            | SSW900G1400T5E3B                        | G                                       | 36.0" x 21.2" x 12.4"  | 236.3                 | \$42,863   | E19 (E1)             |          |
| 3Ph, 690 Vac <sup>5</sup> | 300%, 30 s, 10 starts/hr @ 55°C |                                | 450%, 30 s, 4 starts/hr @ 55°C |                                | Input Power Supply: Three-Phase 690 Vac |   |                        |                       |            |                      |          |
|                           | 150                             | 130                            | 100                            | 94                             | SSW900C0130T6E2B <sup>3</sup>           | C                                       | 10.9" x 8.8" x 10.3"   | 14.4                  | \$4,529    | E19 (E1)             |          |
|                           | 200                             | 171                            | 150                            | 125                            | SSW900C0171T6E2B <sup>3</sup>           | C                                       | 10.9" x 8.8" x 10.3"   | 14.4                  | \$5,705    | E19 (E1)             |          |
|                           | 250                             | 200                            | 200                            | 150                            | SSW900C0200T6E2B <sup>3</sup>           | C                                       | 10.9" x 8.8" x 10.3"   | 14.4                  | \$7,172    | E19 (E1)             |          |
|                           | 300                             | 255                            | 250                            | 185                            | SSW900D0255T6E3B                        | D                                       | 13.0" x 8.9" x 11.1"   | 28.3                  | \$8,242    | E19 (E1)             |          |
|                           | 400                             | 312                            | 300                            | 230                            | SSW900D0312T6E3B                        | D                                       | 13.0" x 8.9" x 11.1"   | 28.3                  | \$8,948    | E19 (E1)             |          |
|                           | 450                             | 365                            | 350                            | 263                            | SSW900D0365T6E3B                        | D                                       | 13.0" x 8.9" x 11.1"   | 28.3                  | \$9,299    | E19 (E1)             |          |
|                           | 550                             | 412                            | 400                            | 298                            | SSW900D0412T6E3B                        | D                                       | 13.0" x 8.9" x 11.1"   | 28.3                  | \$11,181   | E19 (E1)             |          |
|                           |                                 | 300%, 30 s, 5 starts/hr @ 40°C |                                | 450%, 30 s, 4 starts/hr @ 40°C |   | Input Power Supply: Three-Phase 690 Vac |                        |                       |            |                      |          |
|                           |                                 | 600                            | 480                            | 450                            | 354                                     | SSW900E0480T6E3B                        | E                      | 22.6" x 15.4" x 10.2" | 83.7       | \$13,841             | E19 (E1) |
|                           |                                 | 750                            | 604                            | 550                            | 409                                     | SSW900E0604T6E3B                        | E                      | 22.6" x 15.4" x 10.2" | 83.7       | \$15,439             | E19 (E1) |
|                           |                                 | 850                            | 670                            | 600                            | 454                                     | SSW900E0670T6E3B                        | E                      | 22.6" x 15.4" x 10.2" | 83.7       | \$14,932             | E19 (E1) |
|                           |                                 | 1000                           | 820                            | 650                            | 553                                     | SSW900F0820T6E3B                        | F                      | 29.9" x 18.3" x 12.4" | 166.2      | \$17,646             | E19 (E1) |
|                           |                                 | 1200                           | 950                            | 750                            | 643                                     | SSW900F0950T6E3B                        | F                      | 29.9" x 18.3" x 12.4" | 166.2      | \$28,794             | E19 (E1) |
|                           |                                 | 1400                           | 1100                           | 900                            | 745                                     | SSW900G1100T6E3B                        | G                      | 36.0" x 21.2" x 12.4" | 236.3      | \$34,673             | E19 (E1) |
|                           |                                 | 1700                           | 1400                           | 1200                           | 953                                     | SSW900G1400T6E3B                        | G                      | 36.0" x 21.2" x 12.4" | 236.3      | \$44,509             | E19 (E1) |

**\*Notes:**

- 1) "HP" rating based on FLA values from WEG W22, 2 and 4 pole, NEMA Premium motors.
- 2) Motor FLA may vary with speed and manufacturer. ALWAYS compare motor FLA to Nominal AMPS of starter.
- 3) Must be used with Ventilation kit.
- 4) Crusher, loaded Conveyor, Shredder, wood chipper, centrifuge, High inertia centrifugal fan, ball mill, hammer mill etc. are application examples where Heavy duty rated soft starter shall be used.
- 5) The 690VAC Soft starters are not "UL Listed" and are non-stocked items. Please consult WEG for availability.

### Options and Accessories

| Type                          | CATALOG NUMBER                     | Description   | List Price     | Multiplier New (Old) |
|-------------------------------|------------------------------------|---|----------------|----------------------|
| Keypad                        | <a href="#">SSW900-HMI-BLT</a>     | Standard Bluetooth Keypad   | <b>\$345</b>   | E19 (E1)             |
|                               | <a href="#">SSW900-KMD-CB01</a>    | Remote Keypad Frame + 1m (3.3ft) Cable  | <b>\$65</b>    | E19 (E1)             |
|                               | <a href="#">SSW900-KMD-CB02</a>    | Remote Keypad Frame + 2m (6.6ft) Cable  | <b>\$75</b>    | E19 (E1)             |
|                               | <a href="#">SSW900-KMD-CB03</a>    | Remote Keypad Frame + 3m (10ft) Cable   | <b>\$85</b>    | E19 (E1)             |
|                               | <a href="#">SSW900-KMD-CB05</a>    | Remote Keypad Frame + 5m (16ft) Cable   | <b>\$115</b>   | E19 (E1)             |
|                               | <a href="#">SSW900-KMD-CB07</a>    | Remote Keypad Frame + 7.5m (26ft) Cable   | <b>\$155</b>   | E19 (E1)             |
|                               | <a href="#">SSW900-KMD-CB10</a>    | Remote Keypad Frame + 10m (33ft) Cable  | <b>\$195</b>   | E19 (E1)             |
|                               | <a href="#">SSW900-KMD-CB20</a>    | Remote Keypad Frame + 20m (66ft) Cable  | <b>\$355</b>   | E19 (E1)             |
| Communication                 | <a href="#">SSW900-CDN-N</a>       | Devicenet Anybus plug-in module   | <b>\$1,280</b> | E19 (E1)             |
|                               | <a href="#">SSW900-CETH-IP-N</a>   | Ethernet/IP Anybus plug-in module   | <b>\$2,215</b> | E19 (E1)             |
|                               | <a href="#">SSW900-CMB-TCP-N</a>   | Modbus-TCP Anybus plug-in module  | <b>\$1,800</b> | E19 (E1)             |
|                               | <a href="#">SSW900-CPDP-N</a>      | Profibus DP Anybus plug-in module   | <b>\$1,175</b> | E19 (E1)             |
|                               | <a href="#">SSW900-CPN-IO-N</a>    | Profinet IO Anybus plug-in module   | <b>\$2,075</b> | E19 (E1)             |
|                               | <a href="#">SSW900-CRS485-W</a>    | RS485 plug-in module  | <b>\$170</b>   | E19 (E1)             |
|                               | <a href="#">SSW900-CAN-W</a>       | CANopen and DeviceNet plug-in module  | <b>\$330</b>   | E19 (E1)             |
|                               | <a href="#">SSW900-CETH-W</a>      | Ethernet/IP plug-in module (Available in Q3 of 2022)                                      | <b>\$1,220</b> | E19 (E1)             |
| I/O Expansion                 | <a href="#">SSW900-PT100-W</a>     | PT100 temperature transducer module (6 inputs)  | <b>\$430</b>   | E19 (E1)             |
| Ventilation Kits              | <a href="#">SSW0708900-KVT-2B</a>  | Ventilation Kit for SSW07, Frame-2 and SSW900, Frame-B (45 to 105 A)                      | <b>\$65</b>    | E17 (E1)             |
|                               | <a href="#">SSW0708900-KVT-3C</a>  | Ventilation Kit for SSW07, Frame-3 and SSW900, Frame-C (130 to 200 A)                     | <b>\$94</b>    | E17 (E1)             |
| IP20 Kits                     | <a href="#">SSW0708900-IP20-3C</a> | IP20 Kit for SSW07, Frame-3 and SSW900, Frame-C (130 to 200 A)                            | <b>\$62</b>    | E17 (E1)             |
|                               | <a href="#">SSW0708900-IP20-4D</a> | IP20 Kit for SSW07, Frame-4 and SSW900, Frame-D (255 to 412 A)                            | <b>\$130</b>   | E17 (E1)             |
| Front cover kit               | <a href="#">SSW0708900-PROT-3C</a> | Front cover kit for power terminals for SSW07, Frame-3 and SSW900, Frame-C (130 to 200 A) | <b>\$55</b>    | E17 (E1)             |
|                               | <a href="#">SSW0708900-PROT-4D</a> | Front cover kit for power terminals for SSW07, Frame-4 and SSW900, Frame D (255 to 412 A) | <b>\$65</b>    | E17 (E1)             |
|                               | <a href="#">SSW900-PROT-E</a>      | Front cover kit for power terminals for SSW900 frame E (480 to 670 A)                     | <b>\$130</b>   | E19 (E1)             |
| External Current Transformers | <a href="#">SSW900-KECA-10</a>     | External Current Transformer for SSW900 10A   | <b>\$415</b>   | E19 (E1)             |
|                               | <a href="#">SSW900-KECA-17</a>     | External Current Transformer for SSW900 17A   | <b>\$435</b>   | E19 (E1)             |
|                               | <a href="#">SSW900-KECA-24</a>     | External Current Transformer for SSW900 24A   | <b>\$455</b>   | E19 (E1)             |
|                               | <a href="#">SSW900-KECA-30</a>     | External Current Transformer for SSW900 30A   | <b>\$470</b>   | E19 (E1)             |
|                               | <a href="#">SSW900-KECA-45</a>     | External Current Transformer for SSW900 45A   | <b>\$510</b>   | E19 (E1)             |
|                               | <a href="#">SSW900-KECA-61</a>     | External Current Transformer for SSW900 61A   | <b>\$540</b>   | E19 (E1)             |
|                               | <a href="#">SSW900-KECA-85</a>     | External Current Transformer for SSW900 85A   | <b>\$565</b>   | E19 (E1)             |
|                               | <a href="#">SSW900-KECA-105</a>    | External Current Transformer for SSW900 105A  | <b>\$580</b>   | E19 (E1)             |
|                               | <a href="#">SSW900-KECA-130</a>    | External Current Transformer for SSW900 130A  | <b>\$620</b>   | E19 (E1)             |
|                               | <a href="#">SSW900-KECA-171</a>    | External Current Transformer for SSW900 171A  | <b>\$650</b>   | E19 (E1)             |
|                               | <a href="#">SSW900-KECA-200</a>    | External Current Transformer for SSW900 200A  | <b>\$680</b>   | E19 (E1)             |
|                               | <a href="#">SSW900-KECA-255</a>    | External Current Transformer for SSW900 255A  | <b>\$845</b>   | E19 (E1)             |
|                               | <a href="#">SSW900-KECA-312</a>    | External Current Transformer for SSW900 312A  | <b>\$885</b>   | E19 (E1)             |
|                               | <a href="#">SSW900-KECA-365</a>    | External Current Transformer for SSW900 365A  | <b>\$915</b>   | E19 (E1)             |
|                               | <a href="#">SSW900-KECA-412</a>    | External Current Transformer for SSW900 412A  | <b>\$930</b>   | E19 (E1)             |

## SSW900

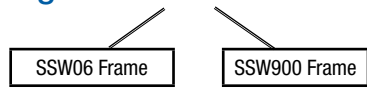
### Options and Accessories

| Type                  | CATALOG NUMBER            | Description   | List Price                                      | Multiplier New (Old) |
|-----------------------|---------------------------|---|---|----------------------|
| BusBar extention Kits | <b>SSW900-6BAR-E</b>      | Kit with Six busbars for Frame-E for external bypass connection using only compression lugs (e.g. LCAX450-12-6, lug not included in the kit)  | <b>\$350</b>                                    | E19 (E1)             |
|                       | <b>SSW900-3BAR-E-L</b>    | Kit with three straight busbars for Frame-E for mechanical Lug "PB2-600". If all top or all bottom cable connections are needed using "PB2-600" lugs, use two (2) kits. (Lugs are not included in the kit). | <b>\$175</b>                                    | E19 (E1)             |
|                       | <b>SSW900-6BAR-F</b>      | Kit with Six busbars for Frame-F for external bypass connection using only compression lugs (e.g. LCAX650-58-6 OR LCAX750-12-3, lugs not included in the kit)   | <b>\$435</b>                                    | E19 (E1)             |
|                       | <b>SSW900-3BAR-F-L</b>    | Kit with three straight busbars for Frame-F to connect three or four cables per phase using Compression lugs (e.g. 3 x LCAN400-12-6 OR 4 x LCAX250-58-X, Lugs are not included in the kit)                  | <b>\$340</b>                                    | E19 (E1)             |
|                       | <b>SSW900-3BAR-F-L45S</b> | Kit with three 45° angled (going downwards) busbars for Frame-F for all top or all bottom cable connections.  | <b>\$395</b>                                    | E19 (E1)             |
|                       | <b>SSW900-3BAR-F-L45L</b> | Kit with three 45° angled (going upwards) busbars for Frame-F for all top or all bottom cable connections.  | <b>\$445</b>                                    | E19 (E1)             |
|                       | <b>SSW900-3BAR-G</b>      | Kit with three 45° angled (going downwards) busbars for Frame-G for all top or all bottom cable connections. Two (2) kits are needed if external bypass contactor is used.                                  | <b>\$515</b>                                    | E19 (E1)             |
|                       | SSW900 Adapter Plates     | <b>ADP-1-A</b>  | SSW06, Frame-1 to SSW900, Frame-A Adapter Plate | <b>\$115</b>         |
| <b>ADP-2-B</b>        |                           | SSW06, Frame-2 to SSW900, Frame-B Adapter Plate   | <b>\$135</b>                                    | E19 (E1)             |
| <b>ADP-23-C</b>       |                           | SSW06, Frame-2 & 3 to SSW900, Frame-C Adapter Plate   | <b>\$180</b>                                    | E19 (E1)             |
| <b>ADP-4-D</b>        |                           | SSW06, Frame-4 to SSW900, Frame-D Adapter Plate   | <b>\$255</b>                                    | E19 (E1)             |
| <b>ADP-5-DE</b>       |                           | SSW06, Frame-5 to SSW900, Frame-D & E Adapter Plate   | <b>\$325</b>                                    | E19 (E1)             |
| <b>ADP-6-EF</b>       |                           | SSW06, Frame-6 to SSW900, Frame-E & F Adapter Plate   | <b>\$420</b>                                    | E19 (E1)             |
| <b>ADP-7-F</b>        |                           | SSW06, Frame-7 to SSW900, Frame-F Adapter Plate   | <b>\$430</b>                                    | E19 (E1)             |
| <b>ADP-8-G</b>        |                           | SSW06, Frame-8 to SSW900, Frame-G Adapter Plate   | <b>\$445</b>                                    | E19 (E1)             |

### SSW900 Adapter Plate Table

| SSW06      |                | ADAPTER PLATE CATALOG # | SSW900     |                |     |
|------------|----------------|-------------------------|------------|----------------|-----|
| Frame Size | Current rating |                         | Frame Size | Current rating |     |
| 1          | 10             | ADP-1-A                 | A          | 10             |     |
|            | 16             |                         |            | 17             |     |
|            | 23             |                         |            | 24             |     |
|            | 30             |                         |            | 30             |     |
| 2          | 45             | ADP-2-B                 | B          | 45             |     |
|            | 60             |                         |            | 61             |     |
|            | 85             |                         |            | 85             |     |
|            | -              |                         |            | 105            |     |
|            | 130            |                         |            | 130            |     |
| 3          | 170            | ADP-23-C                | C          | 171            |     |
|            | 205            |                         |            | 200            |     |
|            | 255            |                         |            | 255            |     |
| 4          | 312            | ADP-4-D                 | D          | 312            |     |
|            | 365            |                         |            | 365            |     |
|            | 412            |                         |            | 412            |     |
| 5          | 480            | ADP-5-DE                | E          | 480            |     |
|            | 604            |                         |            | 604            |     |
|            | 670            |                         |            | 670            |     |
| 6          | 820            |                         | ADP-6-EF   | F              | 820 |
|            | 950            |                         |            |                | 950 |
| 7          | 950            |                         | ADP-7-F    | F              | 950 |
|            | 1100           | 1100                    |            |                |     |
| 8          | 1400           | ADP-8-G                 | G          | 1400           |     |
|            | 1400           |                         |            | 1400           |     |

### Adapter Plate Catalog # ADP-1-A



# Soft Starters

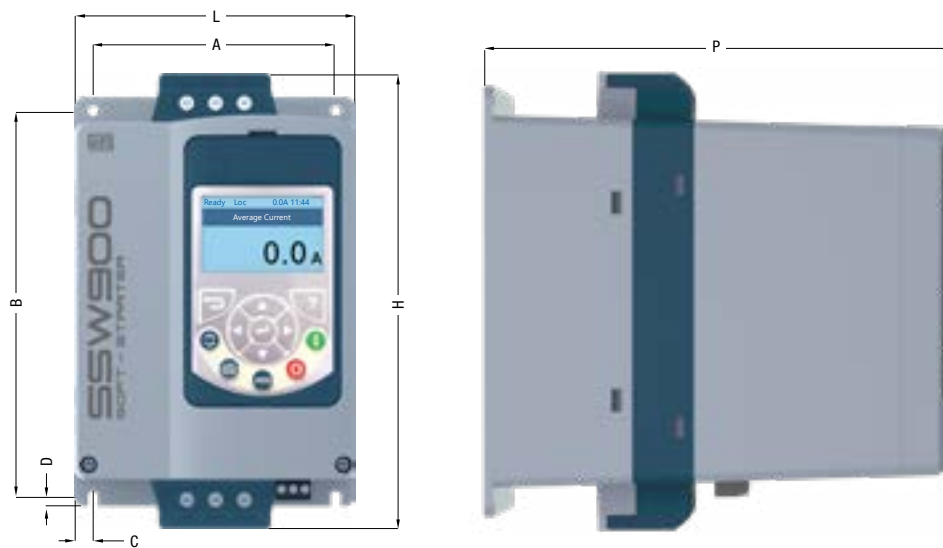


## SSW900

### Dimensions

| Frame Size<br>IP00 | Height 'H'<br>in. (mm) | Width 'L'<br>in. (mm) | Depth 'P'<br>in. (mm) | 'A'<br>in. (mm) | 'B'<br>in. (mm) | 'C'<br>in. (mm) | 'D'<br>in. (mm) | Mounting<br>Screw | Weight<br>Lbs. (kg) |
|--------------------|------------------------|-----------------------|-----------------------|-----------------|-----------------|-----------------|-----------------|-------------------|---------------------|
| <b>A *</b>         | 7.87 (200)             | 5.00 (127)            | 7.99 (203)            | 7.33 (110)      | 6.89 (175)      | 0.33 (8.5)      | 0.17 (4.3)      | M4                | 4.25 (1.93)         |
| <b>B *</b>         | 8.19 (208)             | 5.67 (144)            | 10.24 (260)           | 5.20 (132)      | 5.83 (148)      | 0.24 (6)        | 0.13 (3.4)      | M4                | 8.86 (4.02)         |
| <b>C</b>           | 10.87 (276)            | 8.78 (223)            | 10.28 (261)           | 8.19 (208)      | 8.27 (210)      | 0.30 (7.5)      | 0.20 (5.0)      | M5                | 14.44 (6.55)        |
| <b>D</b>           | 13.03 (331)            | 8.94 (227)            | 11.10 (282)           | 7.87 (200)      | 11.02 (280)     | 0.59 (15)       | 0.35 (9)        | M8                | 28.29(12.83)        |
| <b>E</b>           | 22.64 (575)            | 15.35 (390)           | 10.24 (260)           | 10.63 (270)     | 18.90 (480)     | 2.20 (56)       | 0.39 (10)       | M8                | 83.78(38.00)        |
| <b>F</b>           | 29.92 (760)            | 18.27 (464)           | 12.44 (316)           | 12.60 (320)     | 24.61 (625)     | 2.83 (72)       | 0.39 (10)       | M8                | 166.23(75.40)       |
| <b>G</b>           | 35.98 (914)            | 21.22 (539)           | 12.44 (316)           | 14.53 (369)     | 28.82 (732)     | 3.35 (85)       | 0.47 (12)       | M10               | 236.34(107.20)      |

\* Frame A & B are IP20 protection rating.





### Technical Data

|  |   |  |          |
|--|---|--|----------|
|  | Mian Volate   | Three-phase 220 - 575VAC (-15%, +10%) (Or 3-Ph, 187 to 632VAC)   |          |
| <b>Power Supply</b>  | Control Voltage   | Frame-A to C: Single Phase 110 - 240VAC (-15%, +10%) (Or 1-Ph, 93.5 to 264VAC)<br>Frame-D to G: Single Phase 110 - 130VAC (-15%, +10%) (Or 1-Ph, 93.5 to 143VAC)   |          |
|  | Frequency   | 50 to 60Hz (+/- 10%) (Or 45 to 66 Hz)  |          |
|  |   |  |          |
| <b>Enclosure</b>   | Degree of Protection  | Frame-A, B: IP20<br>Frame-C to G: IP00   |          |
|  | Method  | Voltage Ramp, Voltage Ramp + Current Limit, Current Limit, Current Ramp<br>Pump Control, Torque Control, D.O.L   |          |
| <b>Starting Duty Cycle</b>   |   | Frame-A, B with ventilation kit, C with ventilation kit, D: 300% (3 x Rated) for 30 Sseconds, 10 Starts per hr.<br>Frame-B w/o ventilation kit & C w/o ventilation kit: 300% (3 x Rated) for 30 Sseconds, 3 Starts per hr.<br>Frame-E, F & G: 300% (3 x Rated) for 30 Sseconds, 5 Starts per hr. |          |
|  | Control Inputs  | Digital<br>5 x 24 VDC Programmable isolated inputs<br>1 x Motor PTC Thermistor   |          |
|  | Control Outputs   | Relay<br>2 programmable outputs, 240 VAC (30 VDC) / 2A Form A Contact (NO)<br>1 programmable output, 240 VAC (30 VDC) / 2A Form C Contact (NO+NC)<br>Analog<br>1 programmable 0 to 10V or 0/4 to 20 mA output  |          |
| <b>Safety</b>  | Protections   | Motor Voltage Imbalance  |          |
|  |   | Motor Supply Undervoltage / Overvoltage  |          |
|  |   | Power Short Circuit: Motor Off / Motor On  |          |
|  |   | Motor Start Phase Loss   |          |
|  |   | Motor Overload Thermal Class   |          |
|  |   | Wrong Connection to the Motor  |          |
|  |   | Motor Overtemperature (via thermistor Input)   |          |
|  |   | Motor Undertorque/Overtorque   |          |
|  |   | Motor Underpower/Overpower   |          |
|  |   | Serial Communication Fault   |          |
|  |   | CPU Error (Watchdog)   |          |
|  |   | Serial Communication Timeout   |          |
|  |   | SCRs Undertemperature / Overtemperature  |          |
|  |   | R-U/S-V/T-W SCRs Fault   |          |
|  |   | SCRs Overload  |          |
|  |   | <b>Functions / Features</b>  | Standard |
| Keypad with three display screens, each display screen can show upto nine variables.       |   |  |          |
| Programming enabling password  |   |  |          |
| LCD display Language selection: English, Spanish, German and Portuguese                    |   |  |          |
| Local / Remote operation selection   |   |  |          |
| PUMP CONTROL function (Water hammer protection for pumps)                                  |   |  |          |
| COPY function (Soft-Starter to Keypad or Keypad to Soft-Starter)                           |   |  |          |
| Soft starter integral bypass contactor for all models                                      |   |  |          |
| FWD / REV Feature via Digital Input (Needs External Contactor)                             |   |  |          |
| Motor PTC thermistor input   |   |  |          |
| Built in SoftPLC.  |   |  |          |
| Programmable line voltage  | 220 ... 575 VAC   |  |          |
| Programmable initial (pedestal) voltage  | 25 ... 90% of Rated Input Voltage   |  |          |
| Programmable acceleration ramp   | 1 ... 999 seconds   |  |          |
| Programmable deceleration ramp   | 0 ... 999 seconds   |  |          |
| Programmable step down voltage for deceleration  | 100 ... 60 % of line voltage  |  |          |
| Programmable starting current limit  | OFF, 150 ... 500 % of motor rated current   |  |          |
| Programmable motor Overcurrent/UnderCurrent  | 0 ... 99 % above motor rated current  |  |          |
| Programmable motor Overcurrent/Undercurrent time   | OFF, 1 ... 99 seconds   |  |          |
| Programmable motor Undertorque (loss of load) / Overtorque (overload or locked Rotor)      | 0 ... 99 % of motor rated current   |  |          |
| Programmable motor Undertorque (loss of load) / Overtorque (overload or locked Rotor) time | OFF, 1 ... 99 seconds   |  |          |
| Programmable starting torque boost, voltage or current (KICKSTART)                         | Level: 70 ...90% of line voltage<br>Level: 300 ... 700% of soft starter rated current<br>Duration: 0.1 ...2 seconds   |  |          |
| Programmable fault auto-reset  | OFF, 3 ... 600 seconds  |  |          |
| Motor thermal overload protection class  | 0 (Automatic); 10; 15; 20; 25; 30; 35; 40; 45   |  |          |
| Motor Service Factor   | 0 (disabled); 0.01 ... 1.50   |  |          |
| <b>Ambient</b>   | Temperature   |  |          |
|  | Humidity  | 5-90% Non Condensing   |          |
|  | Altitude  | 0-3300 ft (1000m), up to 13,200 ft (4000m)<br>with 1% output current derating per 330ft (100m) above 3300 ft (1000m).  |          |
| <b>Regulatory Conformance</b>  | IEC 60146   | Semiconductor converters   |          |
|  | UL 508 C  | Power Conversion Equipment   |          |
|  | UL 840  | Insulation coordination including clearances and creepage distances for electrical equipment.  |          |
|  | EN 50178  | Electronic equipment for use in power installations  |          |
|  | EN 61800-2  | General requirements adjustable speed electrical power drive systems   |          |
|  | EN 61800-3  | EMC product standard including specific test methods adjustable speed electrical power drive systems   |          |
|  | EN 61800-5-1  | Safety requirements adjustable speed electrical power drive systems  |          |
|  | EN 60204-1  | Safety of machinery. Electrical equipment of machines.<br>Part 1: General requirements.  |          |
|  | RoHS and WEEE Guidelines  |  |          |
| <b>Approvals</b>   | UL, cUL, CE, C-Tick, GOST, IRAM   |  |          |
| <b>Special Functions</b>   | Linear and "S" ramp accel and decel, local/remote control, FWD/REV selection, DC braking, manual and auto torque boost, motor slip compensation, electronic pot, two skip frequencies, maximum and minimum adjustable frequency limits, adjustable output current |  |          |
| <b>Keypad</b>  | 4 digit display, 2 indicator LEDs and 8 keys  |  |          |
|  | Readouts for: output frequency (Hz), output current (A), output voltage (V), motor torque (%) in vector mode, DC bus voltage (V), value proportional to frequency (Ex.: RPM), heatsink temperature, fault and status messages                                     |  |          |

## SSW900

### Technical Data

|  |                             |  |
|--|-----------------------------|--|
| <b>Keypad</b>                                  | Programming / Commands      | Start/Stop, Reset, Jog, FWD/REV, ESC, Help, Navigaiton keys & Enter<br>Bluetooth, USB Port, Real Time clock  |
|  | Display Readings            | Soft-Starter Output current (% of soft starter rated current)  |
|  |                             | Motor current (Amps): R Phase, S Phase, T Phase, Average   |
|  |                             | Motor current % of motor rated current   |
|  |                             | Line frequency (0 ... 99 Hz)   |
|  |                             | Line Voltage (0 ... 999VAC)  |
|  |                             | Soft starter output voltage (0 - 999VAC)   |
|  |                             | Motor active power (kW)  |
|  |                             | Motor apparent power (kVA)   |
|  |                             | Soft starter status  |
|  |                             | Digital and analog I/Os status   |
|  |                             | Motor power factor (0.00 - 0.99)   |
|  |                             | Time Powered   |
|  |                             | Time Enabled   |
|  |                             | Four last faults back-up   |
|  |                             | Soft starter firmware version  |
| Motor thermal protection (0 - 250)             |                             |  |
| Motor current indication in each phase R-S-T   |                             |  |
| Line voltage indication R-S / S-T / T-R        |                             |  |
| <b>Ambient</b>                                 | Temperature                 | 0...131°F (0...55°C): For SSW900 frame-A to D without derating.<br>0...104°F (0...40°C): For SSW900 frame-E to G, above 104°F (40°C) with derating.  |
|  | Humidity                    | 5-90% Non Condensing   |
|  | Altitude                    | 0-3300 ft (1000m), up to 13,200 ft (4000m).<br>With 1% output current derating per 330ft (100m) above 3300 ft (1000m).<br>With 1.1% voltage derating per 330ft (100m) above 6600 ft (2000m). |
| <b>Safety Standards</b>                        | UL 508                      | Industrial Control Equipment   |
|  | EN60947-4-2, LVD 2014/35/EU | Low-voltage Directive  |
| <b>Electromagnetic compatibility standards</b> | CISPR 11                    | Industrial, scientific and medical (ISM) radio-frequency equipment - electromagnetic disturbance characteristics - limits and methods of measurement   |
|  | EN 61000-4-2                | Electromagnetic compatibility (EMC) - part 4: testing and measurement techniques - section 2: Electrostatic discharge immunity test  |
|  | EN 61000-4-3                | Electromagnetic compatibility (EMC) - part 4: testing and measurement techniques - section 3: radiated, radio-frequency, electromagnetic field immunity test                                 |
|  | EN 61000-4-4                | Electromagnetic compatibility (EMC) - part 4: testing and measurement techniques - section 4: electrical fast transient/burst immunity test  |
|  | EN 61000-4-5                | Electromagnetic compatibility (EMC) - part 4: testing and measurement techniques - section 5: surge immunity test  |
|  | EN 61000-4-6                | Electromagnetic compatibility (EMC) - part 4: testing and measurement techniques - section 6: immunity to conducted disturbances, induced by radio-frequency fields                          |
|  | EN 61000-4-11               | Electromagnetic compatibility (EMC) - part 4: testing and measurement techniques - section 11: voltage dips, short interruptions and voltage variations immunity tests                       |
|  | EN 60204-1                  | "Safety of machinery. Electrical equipment of machines. Part 1: General requirements."   |
| <b>Mechanical construction standards</b>       | Part 15 of FCC              | FCC ID: S9NSPBTLERF  |
|  | EN 60529                    | degrees of protection provided by enclosures (IP code).  |
|  | UL 50                       | enclosures for electrical equipment.   |
| <b>Approvals</b>                               | IEC 60721-3-3               | classification of environmental conditions.  |
|  |                             | UL, cUL, CE, C-Tick, EAC, IRAM, ABS  |

# SSW7000

WEG's SSW7000 medium voltage solid-state soft starter is an industrial general-purpose starter package for starting & protecting MV AC motors.

Designed to be rugged, reliable and safe, the SSW7000 is a simple and cost effective solution for demanding applications.

## Key Features & Advantages:

- 4160V & 2300V models in stock (NEMA 12 & NEMA 3R) up to 3000HP (higher voltages & powers available)
- Suitable for service entrance
- Motor protections active in both DOL & RUN modes eliminating the need for expensive motor protection relays for backup protection
- Pump control utilizes a specific algorithm for centrifugal pumps designed to minimize water hammer and pressure overshoots
- Soft PLC function with license-free software
- Flexible Torque Control (FTC) allows adjusting starting torque limit curve with 3 points (ideal for quadratic loads)
- Motor thermal protection via PT100 monitoring available (up to 8 channels)

## Accessories:

- PT100 monitoring (8x channels)
- Network communication modules
- FLASH memory module

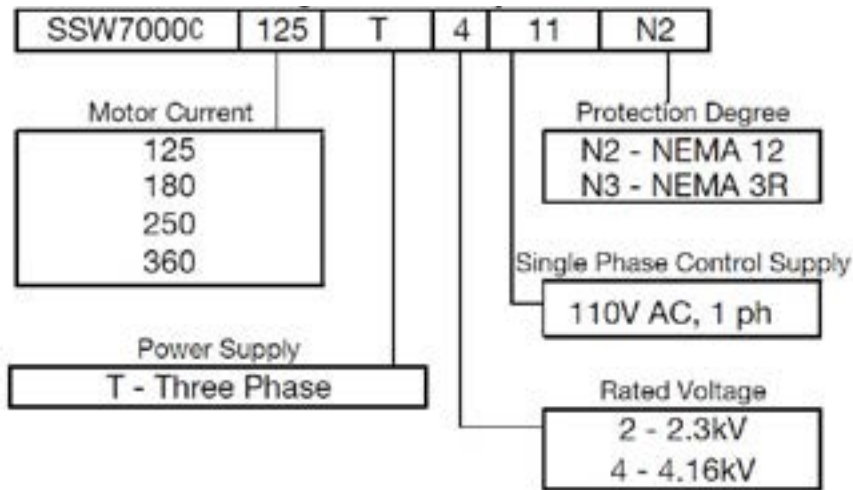


## Features that make a difference:

- Assembled and stocked in the US
- NEMA 12 & NEMA 3R enclosures available
- Emergency DOL start capability (ATL bypass)
- Oriented startup for easy commissioning
- UL 347 listed
- Ground fault monitoring standard

### Product Code

### SSW7000C Catalog Number Sequence



### Rating

| Power Supply     | Model             | Rated Current | Motor Power |      | List Price | Multiplier |
|------------------|-------------------|---------------|-------------|------|------------|------------|
|                  |                   |               | HP*         | kW   |            |            |
| <b>NEMA 12</b>   |                   |               |             |      |            |            |
| 2300V, 3PH, 60HZ | SSW7000C125T211N2 | 125A          | 550         | 410  | \$55,750   | E3         |
|                  | SSW7000C180T211N2 | 180A          | 750         | 560  | \$58,665   |            |
|                  | SSW7000C250T211N2 | 250A          | 1100        | 800  | \$65,195   |            |
|                  | SSW7000C360T211N2 | 360A          | 1500        | 1100 | \$67,430   |            |
| 4160V, 3PH, 60HZ | SSW7000C125T411N2 | 125A          | 1000        | 750  | \$63,950   |            |
|                  | SSW7000C180T411N2 | 180A          | 1500        | 1100 | \$67,195   |            |
|                  | SSW7000C250T411N2 | 250A          | 2000        | 1500 | \$75,235   |            |
|                  | SSW7000C360T411N2 | 360A          | 3000        | 2250 | \$77,980   |            |
| <b>NEMA 3R</b>   |                   |               |             |      |            |            |
| 2300V, 3PH, 60HZ | SSW7000C125T211N3 | 125A          | 550         | 410  | \$60,820   | E3         |
|                  | SSW7000C180T211N3 | 180A          | 750         | 560  | \$63,725   |            |
|                  | SSW7000C250T211N3 | 250A          | 1100        | 800  | \$70,255   |            |
|                  | SSW7000C360T211N3 | 360A          | 1600-       | 1190 | \$73,020   |            |
| 4160V, 3PH, 60HZ | SSW7000C125T411N3 | 125A          | 1000        | 750  | \$69,015   |            |
|                  | SSW7000C180T411N3 | 180A          | 1500        | 1100 | \$72,250   |            |
|                  | SSW7000C250T411N3 | 250A          | 2000        | 1500 | \$80,295   |            |
|                  | SSW7000C360T411N3 | 360A          | 3000        | 2250 | \$83,550   |            |

Note: (\*) The motor power ratings given above are based on WEG 4-pole motors, 4.16kV, 60-Hz, PF=0.87, Eff=0.97, SF=1. For applications with high overloads or special starting conditions, contact WEG's sales force. Current Rating of SSW7000C must be calculated based on the information on load type, load speed/torque curve and required number of starts per hour. All models are available in 220V, 1Ph control voltage.

### Options

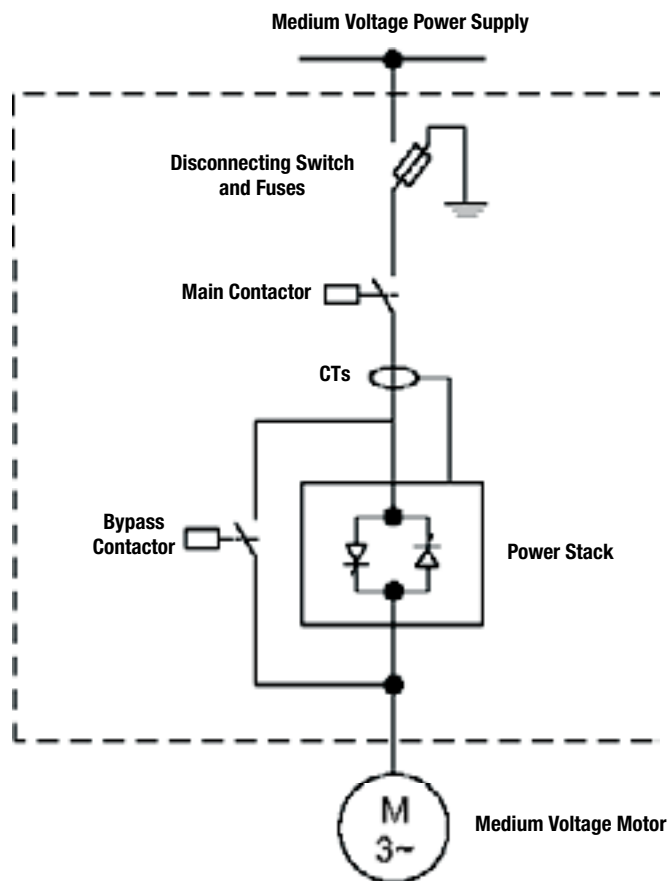
| Reference  | Description   | Slot    | List Price | Multiplier |
|--|---|---------|------------|------------|
| Control accessories to install in Slots 1, 2 and 3                     |   |         |            |            |
| <b>IOE-04</b>  | Module for 8 temperature sensors PT100  | 1 and 2 | \$2795     | E3         |
| <b>RS485-01</b>  | RS-485 serial communication module (Modbus)   | 3       | \$240      |            |
| <b>RS232-01</b>  | RS-232C serial communication module (Modbus)  |         | \$180      |            |
| <b>RS232-02</b>  | RS-232C serial communication module with switch to program the microcontroller FLASH memory |         | \$180      |            |
| Anybus-CA Accessories to install in Slots 4                            |   |         |            |            |
| <b>PROFDP-05</b>   | ProfibusDP interface module   | 4       | \$1100     | E3         |
| <b>DEVICENET-05</b>  | Devicenet interface module  |         |            |            |
| <b>ETHERNET/IP-05</b>  | EtherNet/IP interface module  |         |            |            |
| <b>RS232-05</b>  | RS-232 interface module (passive) (Modbus)  |         | \$290      |            |
| <b>RS485-05</b>  | RS485 interface module (passive) (Modbus)   |         | \$360      |            |
| Flash Memory Module to install in Slot 5 - Included in Standard Models |   |         |            |            |
| <b>MMF-01</b>  | FLASH memory module   | 5       | \$71       | V1         |
| Other Accessories  |   |         |            |            |
| <b>HMI-01</b>  | Man Machine Interface - MMI (sold separately) <sup>(1)</sup>                                | -       | \$320      | V1         |
| <b>RHMIF-01</b>  | Frame kit for MMI (protection rate IP56)  | -       | \$69       |            |

### Dimensions

same for NEMA 12 & NEMA 3R



## Line Diagram



## Protections

| ANSI/IEEE C37.2 | Function/Protection Feature                            | Standard Option                     |                          |
|-----------------|--|-------------------------------------|--------------------------|
|                 |  | <input checked="" type="checkbox"/> | <input type="checkbox"/> |
| 19              | Reduced Voltage Starting and Bypass                    | <input checked="" type="checkbox"/> | <input type="checkbox"/> |
| 27              | Undervoltage protection                                | <input checked="" type="checkbox"/> | <input type="checkbox"/> |
| 37              | Undercurrent protection                                | <input checked="" type="checkbox"/> | <input type="checkbox"/> |
| 46              | Phase-Balance Current protection                       | <input checked="" type="checkbox"/> | <input type="checkbox"/> |
| 47              | Phase Sequence   | <input checked="" type="checkbox"/> | <input type="checkbox"/> |
| 48              | Incomplete Sequence                                    | <input checked="" type="checkbox"/> | <input type="checkbox"/> |
| 50              | Instantaneous Overcurrent trip                         | <input checked="" type="checkbox"/> | <input type="checkbox"/> |
| 51              | Overcurrent trip                                       | <input checked="" type="checkbox"/> | <input type="checkbox"/> |
| 55              | Power Factor check                                     | <input checked="" type="checkbox"/> | <input type="checkbox"/> |
| 59              | Overvoltage  | <input checked="" type="checkbox"/> | <input type="checkbox"/> |
| 81              | Frequency check  | <input checked="" type="checkbox"/> | <input type="checkbox"/> |
| 86              | Lockout Relay - electronic                             | <input checked="" type="checkbox"/> | <input type="checkbox"/> |
| 50N/51G         | Ground fault detection instantaneous and fault-current | <input checked="" type="checkbox"/> | <input type="checkbox"/> |
| 49 & 38         | Winding Temperature and Bearing Temperature            | <input type="checkbox"/>            | <input type="checkbox"/> |

### Standard Features:

- Motor voltage: 2.3kV, 4.16kV
- Power: up to 3000HP
- Protection Degree : NEMA 12, NEMA 3R
- Operating interface (HMI) with graphic LCD
- Real time clock
- Main and bypass vacuum contactors
- Emergency DOL start capability (ATL bypass)
- Medium voltage fuses
- Power and control insulated by fiber optics
- Soft PLC Function
- License Free programming software SuperDrive and WLP
- Motor thermal protection - PT100 (accessory), 8 Channels
- Ground Fault Protection - standard
- 5 start modes
- Network communication boards (accessories): DeviceNet, Profibus-DP, Ethernet and Modbus, RS-232 or RS-485

### Advantages:

- Flexible Torque control
- Overload capacity of 400% for 20 s. (2x / hour duty cycle)
- Management of Demand restrictions by the electric company
- Bumpless starting
- Motor protection
- Mechanical wear reduction
- Handles lower inrush current limitations of power supply

### Special Features:

- Clean Assembly with easy accessibility to all components
- Flexible Torque Control (FTC), by employing torque estimation using vector control principle and measurement of input voltage, output voltage and output current. This provides more accurate torque set-points, compared to estimating torque values only via current measurement.
- Active Protection offers complete motor protection in DOL START and RUN mode. This eliminates need for any expensive motor protection relays for backup protection.
- Ground Fault protection is standard
- Flexible Thermal Class Curve setup & selection that eliminates need for third party expensive protection relays
- Soft PLC function with license-free software
- Nickel plated bus bars and bus-stub connections provide corrosion resistance and ensure proper electrical connection
- Power connection terminals for TOP or BOTTOM motor connection (bottom only for NEMA 3R)
- Operator Interface (keypad, parameter setup) is identical to that of WEG's low voltage starter products
- Successfully tested per International Building Code 2018 (IBC 2018) & California Building Code 2019 (CBC 2019)



### Certifications



### Technical specifications

|                                      |                                      |  |
|--------------------------------------|--------------------------------------|--|
| <b>Power Supply</b>                  | Power Voltage (R/1 L1, S/3L2, T/5L3) | Low voltage test:<br>500Vac: (-60% to +10%) or (200 to 550Vca)<br>Models:<br>2300Vac: (-60% to +10%) or (920 to 2530Vca)<br>4160Vac: (-60% to +10%) or (2760 to 4576Vca)   |
|                                      | Frequency                            | (50 to 60Hz): (±10%) or (45 to 66Hz)   |
| <b>Capacity</b>                      | Maximum number of starts             | 5 starts in 2 hours (One start every 30 minutes)   |
|                                      | Start cycle                          | AC-53a; 4.5-30:50-2  |
| <b>Thyristors</b>                    | Medium voltage SCR per power arm     | 2300Vac: 2 thyristors per per power stack<br>4160Vac: 2 coupled pairs of thyristors  |
|                                      | Reverse voltage peak on the arm      | 2300Vac: 6.5kV<br>4160Vac: 13kV  |
| <b>Protections</b>                   | Protection by Hardware               | dv/dt filter<br>Active overvoltage protection on the thyristors  |
|                                      | Control voltage                      | As per code of the SSW7000: 110Vac: (-15% to 10%) or (93.5 to 121Vac) 230Vac: (-15% to 10%) or (195.6 to 253Vac)   |
| <b>Control Supply</b>                | Frequency                            | (50 to 60Hz): (±10%) or (45 to 66Hz)   |
|                                      | Consumption                          | Continuous: 900 mA<br>Peak: 9.5 A (during the closing of the vacuum contactors)  |
| <b>Control</b>                       | Method                               | Voltage ramp.<br>Current limitation.<br>Pump control.<br>Torque control.<br>Current ramp.  |
|                                      | Digital                              | 6 insulated digital inputs, 24 Vdc, programmable functions   |
| <b>Inputs</b>                        | Analog                               | 2 differential inputs insulated by differential amplifier; AI1 resolution: 12 bits, AI2 resolution: 11bits + signal, (0 to 10) V, (0 to 20) mA or (4 to 20) mA, Impedance: 400kΩ for (0 to 10V), 500Ω for (0 to 20mA) or (4 to 20mA), programmable functions   |
|                                      | Digital                              | 3 NO/NC contact relays, 240 Vac, 1A, programmable functions.   |
| <b>Outputs</b>                       | Analog                               | 2 insulated outputs, (0 to 10V) RL ± 10kΩ (maximum load), 0 to 20mA or 4 to 20mA RL<500Ω, 11-bit resolution, programmable functions  |
|                                      | Man Machine Interface                | Standard<br>9 keys: Turn/Stop, Increase, Decrease, Rotation Direction, Jog, Local/Remote, right Soft key and left Soft key. Graphic LCD.<br>It enables access to/change of all parameters.   |
| <b>Safety</b>                        | Main protections                     | Under and Overcurrent and current unbalance. Under and Overvoltage and voltage unbalance. Under and Overtorque and Active overpower Phase loss.<br>Reverse phase sequence Overtemperature in the power racks. Motor overload. Motor overtemperature (optional). External defect.<br>Ground fault by voltage or current.<br>Fault in the power racks.<br>Fault in the power contactors.<br>Faults in the control boards.<br>Communication faults of MMI and between controls.<br>Faults in the communication networks.<br>Programming errors.<br>For further details and more protections implemented, refer to the programming manual. |
|                                      | Enclosures                           | Protection Degree<br>NEMA 12, NEMA 3R  |
| <b>PC connection for programming</b> | USB Connector                        | USB standard Rev. 2.0 (basic speed).<br>USB plug type B "device".<br>Interconnecting Cable: standard host/device shielded USB cable  |
|                                      | Temperature                          | -10° a 40°C  |
| <b>Environmental Conditions</b>      | Altitude                             | Up to 1000 m above sea level. For higher altitudes, contact our sales force.   |
|                                      | Humidity                             | Air relative humidity of 5 % to 90 % non-condensing.   |
|                                      | NBR IEC 62271-200                    | High voltage controlgear and switchgear - part 200:<br>High voltage controlgear and switchgear in metal enclosure for voltages over 1 kV up to and including 52 kV   |
| <b>Standards</b>                     | IEC 62271-1                          | High-voltage switchgear and controlgear - Part 1:<br>Common specifications   |
|                                      | IEC 60060-1                          | High-voltage test techniques. Part 1:<br>General definitions and test requirements   |
|                                      | CISPR 11                             | Industrial, scientific and medical (ISM) radio-frequency equipment - electromagnetic disturbance characteristics - limits and methods of measurement   |
|                                      | IEC 61000-4-4                        | Electromagnetic compatibility (EMC) - Part 4: testing and measurement techniques - section 4: electrical fast transient/burst immunity test. Basic EMB publication   |
|                                      | IEC 61000-4-18                       | Electromagnetic compatibility (EMC) - Part 4-18: testing and measurement techniques - damped oscillatory wave immunity test  |
|                                      | NBR IEC 60529                        | Protection rates for electric equipment enclosures (ip code)   |
|                                      | UL 347                               | Medium Voltage AC Contactors, Controllers and Control Centers  |
|                                      | UL 347B                              | Medium Voltage Motor Controllers   |



# EDP11

The Engineered Drive Panel is an industrial general purpose AC motor control and protection package. It is designed for simple and quick installation and start-up, requiring only input power and output motor connections. There are two enclosure variants available such as NEMA 12 ventilated and NEMA 3R for Outdoor Installations.

The Engineered Drive Panel is built to complement the ruggedness and reliability of WEG motors, providing a complete, simple, and cost effective AC motor control, monitor and protection solution.



## NEMA 12 Features

- CFW11 Drive
- Indoor Rated
- ED1-ED4: non-ventilated and wall mounted
- ED5: non-ventilated and floor mounted
- ED6-ED10: ventilated and floor mounted
- Circuit Breaker with through door handle
- CFW11 VFD (Dual DC choke built-in)
- Fused 480V/120V CPT
- Internal Fan
- Heat sink through the back
- Motor Terminal Block
- Door mounted keypad
- Start / Stop Pushbuttons
- Run/Fault Pilot Lights
- Keypad cover - same as GPH2
- Drive and controls mounted in NEMA 4 section of panel; heat sink is external and rated NEMA 12

## NEMA 3R Features

- NEMA 12 features plus:
- Outdoor Rated
- Weather kit (rain/sun/snow shield)
- Panel space heater + thermostat
- Lightning arrestor
- Service entrance rated

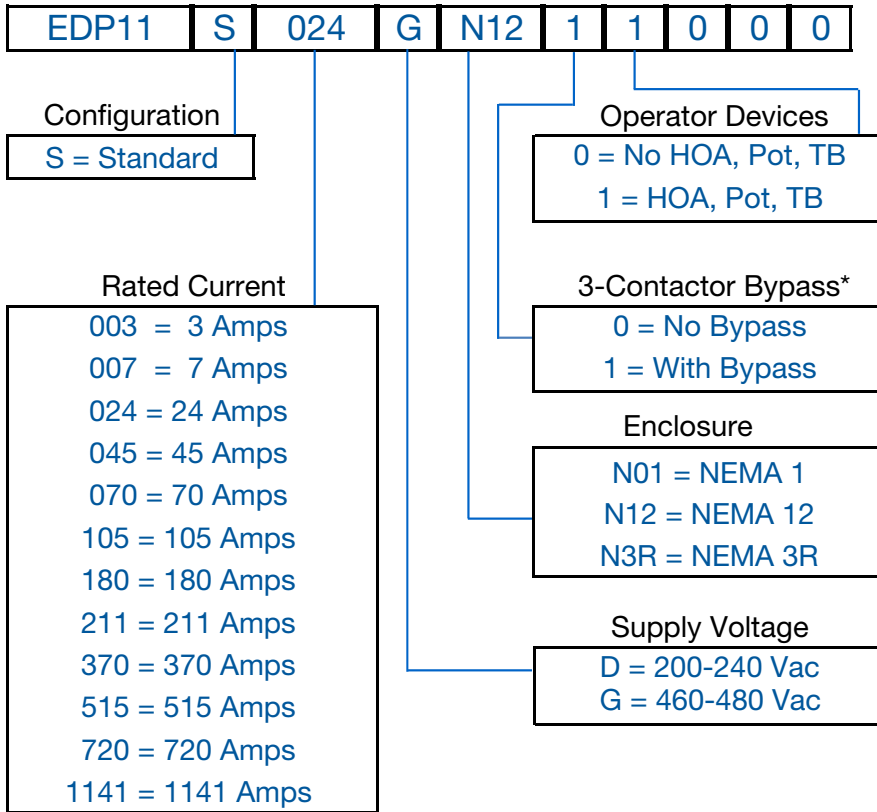
## 3-Contactor Bypass Option

- NEMA 12 or NEMA 3R version
- AC3 full rated by-pass contactor
- Drive input and output contactors
- Motor overload relay
- E-Stop Mushroom style pushbutton
- Enclosure size to be determined

## HOA/POT/TB Option

- HOA = Hand-OFF-Auto
- POT = Potentiometer for speed reference
- TB = Auxiliary control terminal block for remote command

### EDP11 Catalog Number Sequence



*\* By-pass Contactor and Overload is "Full Rated" and mounted adjacent the VFD Table intended as reference only and not to create part numbers.*



### Engineered Drive Panel - NEMA 12 Enclosure (no By-Pass)

| Motor Voltage | ND / VT <sup>1</sup>                        |   | HD / CT <sup>1</sup>  |                         | Catalog Number | Braking Transistor | Drive Frame Size | Enclosure Frame Size <sup>4</sup> | Approx. Weight (lbs.) <sup>7</sup> | List Price | Multiplier New (Old) |          |
|---------------|---|---|-----------------------|-------------------------|----------------|--------------------|------------------|-----------------------------------|------------------------------------|------------|----------------------|----------|
|               | Motor HP <sup>2</sup>                       | Drive Amps <sup>3</sup>                     | Motor HP <sup>2</sup> | Drive Amps <sup>3</sup> |                |                    |                  |                                   |                                    |            |                      |          |
| 230 Vac       | Input Power Supply: Three-Phase 220-240 Vac |   |                       |                         |                |                    |                  |                                   |                                    |            |                      |          |
|               |   | 2   | 7.0                   | 1 1/2                   | 5.5            | EDP11S007DN12      | Yes              | A                                 | ED1                                | 36         | \$6,690              | V1E (V1) |
|               |   | 3   | 10                    | 2                       | 8.0            | EDP11S010DN12      | Yes              | A                                 | ED1                                | 36         | \$6,756              | V1E (V1) |
|               |   | 5   | 13                    | 3                       | 11             | EDP11S013DN12      | Yes              | A                                 | ED1                                | 41         | \$6,855              | V1E (V1) |
|               |   | 5   | 16                    | 5                       | 13             | EDP11S016DN12      | Yes              | A                                 | ED1                                | 42         | \$7,123              | V1E (V1) |
|               |   | 7 1/2                                       | 24                    | 7 1/2                   | 20             | EDP11S024DN12      | Yes              | B                                 | ED1                                | 56         | \$7,664              | V1E (V1) |
|               |   | 10  | 28                    | 10                      | 24             | EDP11S028DN12      | Yes              | B                                 | ED1                                | 56         | \$8,408              | V1E (V1) |
|               |   | 10  | 33.5                  | 10                      | 28             | EDP11S033DN12      | Yes              | B                                 | ED1                                | 56         | \$9,108              | V1E (V1) |
|               |   | 15  | 45                    | 15                      | 36             | EDP11S045DN12      | Yes              | C                                 | ED2                                | 88         | \$10,214             | V1E (V1) |
|               |   | 20  | 54                    | 20                      | 45             | EDP11S054DN12      | Yes              | C                                 | ED2                                | 90         | \$11,491             | V1E (V1) |
|               |   | 25  | 70                    | 20                      | 56             | EDP11S070DN12      | Yes              | C                                 | ED2                                | 100        | \$12,162             | V1E (V1) |
|               |   | 30  | 86                    | 25                      | 70             | EDP11S086DN12      | Yes              | D                                 | ED3                                | 230        | \$14,321             | V1E (V1) |
|               |   | 40  | 105                   | 30                      | 86             | EDP11S105DN12      | Yes              | D                                 | ED3                                | 240        | \$17,164             | V1E (V1) |
|               |   | 50  | 142                   | 40                      | 115            | EDP11S142DN12      | No               | E <sup>5</sup>                    | ED4                                | 300        | \$19,793             | V1E (V1) |
|               |   | 60  | 180                   | 50                      | 142            | EDP11S180DN12      | No               | E <sup>5</sup>                    | ED4                                | 300        | \$25,116             | V1E (V1) |
|               |   | 75  | 211                   | 60                      | 180            | EDP11S211DN12      | No               | E <sup>5</sup>                    | ED4                                | 300        | \$28,326             | V1E (V1) |
|               | 460 Vac                                     | Input Power Supply: Three-Phase 460-480 Vac |                       |                         |                |                    |                  |                                   |                                    |            |                      |          |
|               |   | 2   | 3.6                   | 2                       | 3.6            | EDP11S003GN12      | Yes              | A                                 | ED1                                | 36         | \$6,510              | V1E (V1) |
|               |   | 3   | 5.0                   | 3                       | 5.0            | EDP11S005GN12      | Yes              | A                                 | ED1                                | 36         | \$6,626              | V1E (V1) |
|               |   | 5   | 7.0                   | 3                       | 5.5            | EDP11S007GN12      | Yes              | A                                 | ED1                                | 41         | \$6,690              | V1E (V1) |
|               |   | 7 1/2                                       | 10                    | 5                       | 10             | EDP11S010GN12      | Yes              | A                                 | ED1                                | 42         | \$6,756              | V1E (V1) |
|               |   | 10  | 13.5                  | 7 1/2                   | 11             | EDP11S013GN12      | Yes              | A                                 | ED1                                | 42         | \$6,855              | V1E (V1) |
|               |   | 10  | 17                    | 10                      | 13.5           | EDP11S017GN12      | Yes              | B                                 | ED1                                | 56         | \$7,269              | V1E (V1) |
|               |   | 15  | 24                    | 10                      | 19             | EDP11S024GN12      | Yes              | B                                 | ED1                                | 56         | \$7,821              | V1E (V1) |
|               |   | 20  | 31                    | 15                      | 25             | EDP11S031GN12      | Yes              | B                                 | ED1                                | 56         | \$8,580              | V1E (V1) |
|               |   | 25  | 38                    | 20                      | 33             | EDP11S038GN12      | Yes              | C                                 | ED2                                | 90         | \$9,293              | V1E (V1) |
|               |   | 30  | 45                    | 25                      | 38             | EDP11S045GN12      | Yes              | C                                 | ED2                                | 104        | \$10,422             | V1E (V1) |
|               |   | 40  | 58.5                  | 30                      | 47             | EDP11S058GN12      | Yes              | C                                 | ED2                                | 110        | \$12,026             | V1E (V1) |
|               |   | 50/60                                       | 70.5                  | 40                      | 61             | EDP11S070GN12      | Yes              | D                                 | ED3                                | 240        | \$12,729             | V1E (V1) |
|               |   | 75  | 88                    | 50                      | 73             | EDP11S088GN12      | Yes              | D                                 | ED3                                | 245        | \$14,988             | V1E (V1) |
|               |   | 75  | 105                   | 75                      | 88             | EDP11S105GN12      | No               | E <sup>5</sup>                    | ED4                                | 300        | \$17,964             | V1E (V1) |
|               |   | 100/125                                     | 142                   | 75                      | 115            | EDP11S142GN12      | No               | E <sup>5</sup>                    | ED4                                | 300        | \$20,715             | V1E (V1) |
|               |   | 150   | 180                   | 100                     | 142            | EDP11S180GN12      | No               | E <sup>5</sup>                    | ED4                                | 300        | \$26,286             | V1E (V1) |
|               |   | 175   | 211                   | 125                     | 180            | EDP11S211GN12      | No               | E <sup>5</sup>                    | ED4                                | 300        | \$29,645             | V1E (V1) |
|               |   | 200   | 242                   | 150                     | 211            | EDP11S242GN12      | No               | F <sup>5</sup>                    | ED6                                | 700        | \$40,755             | V1E (V1) |
|               |   | 250   | 312                   | 200                     | 242            | EDP11S312GN12      | No               | F <sup>5</sup>                    | ED6                                | 720        | \$45,114             | V1E (V1) |
|               |   | 300   | 370                   | 250                     | 312            | EDP11S370GN12      | No               | F <sup>5</sup>                    | ED6                                | 750        | \$47,743             | V1E (V1) |
|               |   | 400   | 477                   | 300                     | 370            | EDP11S477GN12      | No               | F <sup>5</sup>                    | ED6                                | 775        | \$54,585             | V1E (V1) |
|               |   | 450   | 515                   | 400                     | 477            | EDP11S515GN12      | No               | G <sup>5</sup>                    | ED8                                | 1100       | \$66,023             | V1E (V1) |
|               |   | 500   | 601                   | 450                     | 515            | EDP11S601GN12      | No               | G <sup>5</sup>                    | ED8                                | 1120       | \$71,875             | V1E (V1) |
|               |   | 600   | 720                   | 500                     | 560            | EDP11S720GN12      | No               | G <sup>6</sup>                    | ED8                                | 1150       | \$88,556             | V1E (V1) |
|               |   | 700   | 795                   | 550                     | 637            | EDP11S795GN12      | No               | H <sup>6</sup>                    | ED10                               | 1700       | \$109,150            | V1E (V1) |
|               |   | 750   | 877                   | 600                     | 715            | EDP11S877GN12      | No               | H <sup>6</sup>                    | ED10                               | 1700       | \$116,300            | V1E (V1) |
|               | 950   | 1062  | 750                   | 855                     | EDP11S1062GN12 | No                 | H <sup>6</sup>   | ED10                              | 1850                               | \$136,120  | V1E (V1)             |          |
|               | 1000  | 1041  | 800                   | 943                     | EDP11S1141GN12 | No                 | H <sup>6</sup>   | ED10                              | 1850                               | \$147,575  | V1E (V1)             |          |

Notes:

- 1) CT = Constant Torque, 150% overload / 60 sec.; VT = Variable Torque (Quadratic Load), 110% overload / 60 sec.
- 2) "HP" rating based on "average FLA values". Use as a guide only.
- 3) Motor FLA may vary with speed and manufacturer. ALWAYS compare motor FLA to Nominal AMPS of drive.
- 4) ED1 - ED4 enclosures are non-ventilated and wall-mounted; ED6 - ED10 enclosures are ventilated and floor mounted.
- 5) Maximum 40°C ambient temperature without derating
- 6) Maximum 35°C ambient temperature without derating
- 7) Dimensions and weights are for estimating purposes only. Only use "AS BUILT" drawings for construction. For other technical data please refer to WEG product manual.

INDEX  
WARRANTY INFO  
CFW100 G2  
CFW300  
CFW500 G2  
CFW500 G1  
CFW700  
CFW11  
CFW11M  
PUMP GENIUS  
CFW501  
CFW701  
SSW05  
SSW07  
SSW900  
SSW7000  
EDP11  
GPH2  
APB9  
MFM

# Variable Frequency Drives



EDP11

## Engineered Drive Panel - NEMA 12 Enclosure with By-Pass

| Motor Voltage | ND / VT <sup>1</sup>                               |                         | HD / CT <sup>1</sup>  |                         | Catalog Number     | Braking Transistor | Drive Frame Size | Enclosure Frame Size <sup>4</sup> | Approx. Weight (lbs.) <sup>7</sup> | List Price | Multiplier New (Old) |  |
|---------------|--|-------------------------|-----------------------|-------------------------|--------------------|--------------------|------------------|-----------------------------------|------------------------------------|------------|----------------------|--|
|               | Motor HP <sup>2</sup>                              | Drive Amps <sup>3</sup> | Motor HP <sup>2</sup> | Drive Amps <sup>3</sup> |                    |                    |                  |                                   |                                    |            |                      |  |
| 230 Vac       | <b>Input Power Supply: Three-Phase 220-240 Vac</b> |                         |                       |                         |                    |                    |                  |                                   |                                    |            |                      |  |
|               | 2  | 7.0                     | 1 1/2                 | 5.5                     | EDP11S007DN1210000 | Yes                | A                | ED2                               | 36                                 | \$8,200    | V1E (V1)             |  |
|               | 3  | 10                      | 2                     | 8.0                     | EDP11S010DN1210000 | Yes                | A                | ED2                               | 36                                 | \$8,276    | V1E (V1)             |  |
|               | 5  | 13                      | 3                     | 11                      | EDP11S013DN1210000 | Yes                | A                | ED2                               | 41                                 | \$8,375    | V1E (V1)             |  |
|               | 5  | 16                      | 5                     | 13                      | EDP11S016DN1210000 | Yes                | A                | ED2                               | 42                                 | \$8,643    | V1E (V1)             |  |
|               | 7 1/2  | 24                      | 7 1/2                 | 20                      | EDP11S024DN1210000 | Yes                | B                | ED2                               | 56                                 | \$9,262    | V1E (V1)             |  |
|               | 10   | 28                      | 10                    | 24                      | EDP11S028DN1210000 | Yes                | B                | ED2                               | 56                                 | \$10,200   | V1E (V1)             |  |
|               | 10   | 33.5                    | 10                    | 28                      | EDP11S033DN1210000 | Yes                | B                | ED2                               | 56                                 | \$11,011   | V1E (V1)             |  |
|               | 15   | 45                      | 15                    | 36                      | EDP11S045DN1210000 | Yes                | C                | ED3                               | 88                                 | \$12,316   | V1E (V1)             |  |
|               | 20   | 54                      | 20                    | 45                      | EDP11S054DN1210000 | Yes                | C                | ED3                               | 90                                 | \$13,738   | V1E (V1)             |  |
|               | 25   | 70                      | 20                    | 56                      | EDP11S070DN1210000 | Yes                | C                | ED3                               | 100                                | \$14,857   | V1E (V1)             |  |
|               | 30   | 86                      | 25                    | 70                      | EDP11S086DN1210000 | Yes                | D                | ED4                               | 230                                | \$17,016   | V1E (V1)             |  |
|               | 40   | 105                     | 30                    | 86                      | EDP11S105DN1210000 | Yes                | D                | ED4                               | 240                                | \$20,052   | V1E (V1)             |  |
|               | 50   | 142                     | 40                    | 115                     | EDP11S142DN1210000 | No                 | E <sup>5</sup>   | ED5                               | 300                                | \$24,778   | V1E (V1)             |  |
|               | 60   | 180                     | 50                    | 142                     | EDP11S180DN1210000 | No                 | E <sup>5</sup>   | ED5                               | 300                                | \$31,111   | V1E (V1)             |  |
|               | 75   | 211                     | 60                    | 180                     | EDP11S211DN1210000 | No                 | E <sup>5</sup>   | ED5                               | 300                                | \$35,651   | V1E (V1)             |  |
| 460 Vac       | <b>Input Power Supply: Three-Phase 460-480 Vac</b> |                         |                       |                         |                    |                    |                  |                                   |                                    |            |                      |  |
|               | 2  | 3.6                     | 2                     | 3.6                     | EDP11S003GN1210000 | Yes                | A                | ED2                               | 36                                 | \$8,020    | V1E (V1)             |  |
|               | 3  | 5.0                     | 3                     | 5.0                     | EDP11S005GN1210000 | Yes                | A                | ED2                               | 36                                 | \$8,136    | V1E (V1)             |  |
|               | 5  | 7.0                     | 3                     | 5.5                     | EDP11S007GN1210000 | Yes                | A                | ED2                               | 41                                 | \$8,200    | V1E (V1)             |  |
|               | 7 1/2  | 10                      | 5                     | 10                      | EDP11S010GN1210000 | Yes                | A                | ED2                               | 42                                 | \$8,276    | V1E (V1)             |  |
|               | 10   | 13.5                    | 7 1/2                 | 11                      | EDP11S013GN1210000 | Yes                | A                | ED2                               | 42                                 | \$8,375    | V1E (V1)             |  |
|               | 10   | 17                      | 10                    | 13.5                    | EDP11S017GN1210000 | Yes                | B                | ED2                               | 56                                 | \$8,867    | V1E (V1)             |  |
|               | 15   | 24                      | 10                    | 19                      | EDP11S024GN1210000 | Yes                | B                | ED2                               | 56                                 | \$9,613    | V1E (V1)             |  |
|               | 20   | 31                      | 15                    | 25                      | EDP11S031GN1210000 | Yes                | B                | ED2                               | 56                                 | \$10,483   | V1E (V1)             |  |
|               | 25   | 38                      | 20                    | 33                      | EDP11S038GN1210000 | Yes                | C                | ED3                               | 90                                 | \$11,395   | V1E (V1)             |  |
|               | 30   | 45                      | 25                    | 38                      | EDP11S045GN1210000 | Yes                | C                | ED3                               | 104                                | \$12,669   | V1E (V1)             |  |
|               | 40   | 58.5                    | 30                    | 47                      | EDP11S058GN1210000 | Yes                | C                | ED3                               | 110                                | \$14,721   | V1E (V1)             |  |
|               | 50/60  | 70.5                    | 40                    | 61                      | EDP11S070GN1210000 | Yes                | D                | ED4                               | 240                                | \$15,424   | V1E (V1)             |  |
|               | 75   | 88                      | 50                    | 73                      | EDP11S088GN1210000 | Yes                | D                | ED4                               | 245                                | \$17,876   | V1E (V1)             |  |
|               | 75   | 105                     | 75                    | 88                      | EDP11S105GN1210000 | No                 | E <sup>5</sup>   | ED5                               | 300                                | \$21,308   | V1E (V1)             |  |
|               | 100/125  | 142                     | 75                    | 115                     | EDP11S142GN1210000 | No                 | E <sup>5</sup>   | ED5                               | 300                                | \$25,700   | V1E (V1)             |  |
|               | 150  | 180                     | 100                   | 142                     | EDP11S180GN1210000 | No                 | E <sup>5</sup>   | ED5                               | 300                                | \$32,281   | V1E (V1)             |  |
|               | 175  | 211                     | 125                   | 180                     | EDP11S211GN1210000 | No                 | E <sup>5</sup>   | ED5                               | 300                                | \$36,970   | V1E (V1)             |  |
|               | 200  | 242                     | 150                   | 211                     | EDP11S242GN1210000 | No                 | F <sup>5</sup>   | ED7                               | 700                                | \$53,334   | V1E (V1)             |  |
|               | 250  | 312                     | 200                   | 242                     | EDP11S312GN1210000 | No                 | F <sup>5</sup>   | ED7                               | 720                                | \$59,257   | V1E (V1)             |  |
|               | 300  | 370                     | 250                   | 312                     | EDP11S370GN1210000 | No                 | F <sup>5</sup>   | ED7                               | 750                                | \$62,146   | V1E (V1)             |  |
|               | 400  | 477                     | 300                   | 370                     | EDP11S477GN1210000 | No                 | F <sup>5</sup>   | ED7                               | 775                                | \$76,618   | V1E (V1)             |  |
| 450           | 515  | 400                     | 477                   | EDP11S515GN1210000      | No                 | G <sup>5</sup>     | ED9              | 1100                              | \$88,056                           | V1E (V1)   |                      |  |
| 500           | 601  | 450                     | 515                   | EDP11S601GN1210000      | No                 | G <sup>5</sup>     | ED9              | 1120                              | \$99,447                           | V1E (V1)   |                      |  |
| 600           | 720  | 500                     | 560                   | EDP11S720GN1210000      | No                 | G <sup>6</sup>     | ED9              | 1150                              | \$119,944                          | V1E (V1)   |                      |  |

Notes:

- 1) CT = Constant Torque, 150% overload / 60 sec.; VT = Variable Torque (Quadratic Load), 110% overload / 60 sec.
- 2) "HP" rating based on "average FLA values". Use as a guide only.
- 3) Motor FLA may vary with speed and manufacturer. ALWAYS compare motor FLA to Nominal AMPS of drive.
- 4) ED1 - ED5 enclosures are non-ventilated and wall-mounted (ED5 - free standing); ED6 - ED9 enclosures are ventilated and floor mounted.
- 5) Maximum 40°C ambient temperature without derating
- 6) Maximum 35°C ambient temperature without derating
- 7) Dimensions and weights are for estimating purposes only. Only use "AS BUILT" drawings for construction. For other technical data please refer to WEG product manual.



### Engineered Drive Panel - NEMA 12 Enclosure (no By-Pass) with HOA / Pot / TB

| Motor Voltage | ND / VT <sup>1</sup>                        |   | HD / CT <sup>1</sup>  |                         | Catalog Number     | Braking Transistor | Drive Frame Size | Enclosure Frame Size <sup>4</sup> | Approx. Weight (lbs.) <sup>7</sup> | List Price | Multiplier New (Old) |  |
|---------------|---|---|-----------------------|-------------------------|--------------------|--------------------|------------------|-----------------------------------|------------------------------------|------------|----------------------|--|
|               | Motor HP <sup>2</sup>                       | Drive Amps <sup>3</sup>                     | Motor HP <sup>2</sup> | Drive Amps <sup>3</sup> |                    |                    |                  |                                   |                                    |            |                      |  |
| 230 Vac       | Input Power Supply: Three-Phase 220-240 Vac |   |                       |                         |                    |                    |                  |                                   |                                    |            |                      |  |
|               | 2   | 7.0   | 1 1/2                 | 5.5                     | EDP11S007DN1201000 | Yes                | A                | ED1                               | 36                                 | \$7,453    | V1E (V1)             |  |
|               | 3   | 10  | 2                     | 8.0                     | EDP11S010DN1201000 | Yes                | A                | ED1                               | 36                                 | \$7,519    | V1E (V1)             |  |
|               | 5   | 13  | 3                     | 11                      | EDP11S013DN1201000 | Yes                | A                | ED1                               | 41                                 | \$7,618    | V1E (V1)             |  |
|               | 5   | 16  | 5                     | 13                      | EDP11S016DN1201000 | Yes                | A                | ED1                               | 42                                 | \$7,886    | V1E (V1)             |  |
|               | 7 1/2                                       | 24  | 7 1/2                 | 20                      | EDP11S024DN1201000 | Yes                | B                | ED1                               | 56                                 | \$8,427    | V1E (V1)             |  |
|               | 10  | 28  | 10                    | 24                      | EDP11S028DN1201000 | Yes                | B                | ED1                               | 56                                 | \$9,171    | V1E (V1)             |  |
|               | 10  | 33.5  | 10                    | 28                      | EDP11S033DN1201000 | Yes                | B                | ED1                               | 56                                 | \$9,871    | V1E (V1)             |  |
|               | 15  | 45  | 15                    | 36                      | EDP11S045DN1201000 | Yes                | C                | ED2                               | 88                                 | \$10,977   | V1E (V1)             |  |
|               | 20  | 54  | 20                    | 45                      | EDP11S054DN1201000 | Yes                | C                | ED2                               | 90                                 | \$12,254   | V1E (V1)             |  |
|               | 25  | 70  | 20                    | 56                      | EDP11S070DN1201000 | Yes                | C                | ED2                               | 100                                | \$12,925   | V1E (V1)             |  |
|               | 30  | 86  | 25                    | 70                      | EDP11S086DN1201000 | Yes                | D                | ED3                               | 230                                | \$15,084   | V1E (V1)             |  |
|               | 40  | 105   | 30                    | 86                      | EDP11S105DN1201000 | Yes                | D                | ED3                               | 240                                | \$17,927   | V1E (V1)             |  |
|               | 50  | 142   | 40                    | 115                     | EDP11S142DN1201000 | No                 | E <sup>5</sup>   | ED4                               | 300                                | \$20,556   | V1E (V1)             |  |
|               | 60  | 180   | 50                    | 142                     | EDP11S180DN1201000 | No                 | E <sup>5</sup>   | ED4                               | 300                                | \$25,879   | V1E (V1)             |  |
|               | 75  | 211   | 60                    | 180                     | EDP11S211DN1201000 | No                 | E <sup>5</sup>   | ED4                               | 300                                | \$29,089   | V1E (V1)             |  |
|               | 460 Vac                                     | Input Power Supply: Three-Phase 460-480 Vac |                       |                         |                    |                    |                  |                                   |                                    |            |                      |  |
| 2             |   | 3.6   | 2                     | 3.6                     | EDP11S003GN1201000 | Yes                | A                | ED1                               | 36                                 | \$7,273    | V1E (V1)             |  |
| 3             |   | 5.0   | 3                     | 5.0                     | EDP11S005GN1201000 | Yes                | A                | ED1                               | 36                                 | \$7,389    | V1E (V1)             |  |
| 5             |   | 7.0   | 3                     | 5.5                     | EDP11S007GN1201000 | Yes                | A                | ED1                               | 41                                 | \$7,453    | V1E (V1)             |  |
| 7 1/2         |   | 10  | 5                     | 10                      | EDP11S010GN1201000 | Yes                | A                | ED1                               | 42                                 | \$7,519    | V1E (V1)             |  |
| 10            |   | 13.5  | 7 1/2                 | 11                      | EDP11S013GN1201000 | Yes                | A                | ED1                               | 42                                 | \$7,618    | V1E (V1)             |  |
| 10            |   | 17  | 10                    | 13.5                    | EDP11S017GN1201000 | Yes                | B                | ED1                               | 56                                 | \$8,032    | V1E (V1)             |  |
| 15            |   | 24  | 10                    | 19                      | EDP11S024GN1201000 | Yes                | B                | ED1                               | 56                                 | \$8,584    | V1E (V1)             |  |
| 20            |   | 31  | 15                    | 25                      | EDP11S031GN1201000 | Yes                | B                | ED1                               | 56                                 | \$9,343    | V1E (V1)             |  |
| 25            |   | 38  | 20                    | 33                      | EDP11S038GN1201000 | Yes                | C                | ED2                               | 90                                 | \$10,056   | V1E (V1)             |  |
| 30            |   | 45  | 25                    | 38                      | EDP11S045GN1201000 | Yes                | C                | ED2                               | 104                                | \$11,185   | V1E (V1)             |  |
| 40            |   | 58.5  | 30                    | 47                      | EDP11S058GN1201000 | Yes                | C                | ED2                               | 110                                | \$12,789   | V1E (V1)             |  |
| 50/60         |   | 70.5  | 40                    | 61                      | EDP11S070GN1201000 | Yes                | D                | ED3                               | 240                                | \$13,492   | V1E (V1)             |  |
| 75            |   | 88  | 50                    | 73                      | EDP11S088GN1201000 | Yes                | D                | ED3                               | 245                                | \$15,751   | V1E (V1)             |  |
| 75            |   | 105   | 75                    | 88                      | EDP11S105GN1201000 | No                 | E <sup>5</sup>   | ED4                               | 300                                | \$18,727   | V1E (V1)             |  |
| 100/125       |   | 142   | 75                    | 115                     | EDP11S142GN1201000 | No                 | E <sup>5</sup>   | ED4                               | 300                                | \$21,478   | V1E (V1)             |  |
| 150           |   | 180   | 100                   | 142                     | EDP11S180GN1201000 | No                 | E <sup>5</sup>   | ED4                               | 300                                | \$27,049   | V1E (V1)             |  |
| 175           |   | 211   | 125                   | 180                     | EDP11S211GN1201000 | No                 | E <sup>5</sup>   | ED4                               | 300                                | \$30,408   | V1E (V1)             |  |
| 200           |   | 242   | 150                   | 211                     | EDP11S242GN1201000 | No                 | F <sup>5</sup>   | ED6                               | 700                                | \$41,613   | V1E (V1)             |  |
| 250           |   | 312   | 200                   | 242                     | EDP11S312GN1201000 | No                 | F <sup>5</sup>   | ED6                               | 720                                | \$45,972   | V1E (V1)             |  |
| 300           |   | 370   | 250                   | 312                     | EDP11S370GN1201000 | No                 | F <sup>5</sup>   | ED6                               | 750                                | \$48,601   | V1E (V1)             |  |
| 400           |   | 477   | 300                   | 370                     | EDP11S477GN1201000 | No                 | F <sup>5</sup>   | ED6                               | 775                                | \$55,443   | V1E (V1)             |  |
| 450           |   | 515   | 400                   | 477                     | EDP11S515GN1201000 | No                 | G <sup>5</sup>   | ED8                               | 1100                               | \$66,881   | V1E (V1)             |  |
| 500           | 601   | 450   | 515                   | EDP11S601GN1201000      | No                 | G <sup>5</sup>     | ED8              | 1120                              | \$72,733                           | V1E (V1)   |                      |  |
| 600           | 720   | 500   | 560                   | EDP11S720GN1201000      | No                 | G <sup>6</sup>     | ED8              | 1150                              | \$89,414                           | V1E (V1)   |                      |  |
| 700           | 795   | 550   | 637                   | EDP11S795GN1201000      | No                 | H <sup>6</sup>     | ED10             | 1700                              | \$110,008                          | V1E (V1)   |                      |  |
| 750           | 877   | 600   | 715                   | EDP11S877GN1201000      | No                 | H <sup>6</sup>     | ED10             | 1700                              | \$117,158                          | V1E (V1)   |                      |  |
| 950           | 1062  | 750   | 855                   | EDP11S1062GN1201000     | No                 | H <sup>6</sup>     | ED10             | 1850                              | \$136,978                          | V1E (V1)   |                      |  |
| 1000          | 1041  | 800   | 943                   | EDP11S1141GN1201000     | No                 | H <sup>6</sup>     | ED10             | 1850                              | \$148,433                          | V1E (V1)   |                      |  |

Notes:

- 1) CT = Constant Torque, 150% overload / 60 sec.; VT = Variable Torque (Quadratic Load), 110% overload / 60 sec.
- 2) "HP" rating based on "average FLA values". Use as a guide only.
- 3) Motor FLA may vary with speed and manufacturer. ALWAYS compare motor FLA to Nominal AMPS of drive.
- 4) ED1 - ED4 enclosures are non-ventilated and wall-mounted; ED6 - ED10 enclosures are ventilated and floor mounted.
- 5) Maximum 40°C ambient temperature without derating
- 6) Maximum 35°C ambient temperature without derating
- 7) Dimensions and weights are for estimating purposes only. Only use "AS BUILT" drawings for construction. For other technical data please refer to WEG product manual.

# Variable Frequency Drives



## EDP11

### Engineered Drive Panel - NEMA 12 Enclosure with By-Pass and HOA / Pot / TB

| Motor Voltage | ND / VT <sup>1</sup>                               |  | HD / CT <sup>1</sup>  |                                    | Catalog Number                     | Braking Transistor | Drive Frame Size | Enclosure Frame Size <sup>4</sup> | Approx. Weight (lbs.) <sup>7</sup> | List Price      | Multiplier New (Old) |  |
|---------------|--|--|-----------------------|------------------------------------|------------------------------------|--------------------|------------------|-----------------------------------|------------------------------------|-----------------|----------------------|--|
|               | Motor HP <sup>2</sup>                              | Drive Amps <sup>3</sup>                            | Motor HP <sup>2</sup> | Drive Amps <sup>3</sup>            |                                    |                    |                  |                                   |                                    |                 |                      |  |
| 230 Vac       | <b>Input Power Supply: Three-Phase 220-240 Vac</b> |  |                       |                                    |                                    |                    |                  |                                   |                                    |                 |                      |  |
|               | 2  | 7.0  | 1 1/2                 | 5.5                                | <a href="#">EDP11S007DN1211000</a> | Yes                | A                | ED2                               | 36                                 | <b>\$8,963</b>  | V1E (V1)             |  |
|               | 3  | 10   | 2                     | 8.0                                | <a href="#">EDP11S010DN1211000</a> | Yes                | A                | ED2                               | 36                                 | <b>\$9,039</b>  | V1E (V1)             |  |
|               | 5  | 13   | 3                     | 11                                 | <a href="#">EDP11S013DN1211000</a> | Yes                | A                | ED2                               | 41                                 | <b>\$9,138</b>  | V1E (V1)             |  |
|               | 5  | 16   | 5                     | 13                                 | <a href="#">EDP11S016DN1211000</a> | Yes                | A                | ED2                               | 42                                 | <b>\$9,406</b>  | V1E (V1)             |  |
|               | 7 1/2  | 24   | 7 1/2                 | 20                                 | <a href="#">EDP11S024DN1211000</a> | Yes                | B                | ED2                               | 56                                 | <b>\$10,025</b> | V1E (V1)             |  |
|               | 10   | 28   | 10                    | 24                                 | <a href="#">EDP11S028DN1211000</a> | Yes                | B                | ED2                               | 56                                 | <b>\$10,963</b> | V1E (V1)             |  |
|               | 10   | 33.5   | 10                    | 28                                 | <a href="#">EDP11S033DN1211000</a> | Yes                | B                | ED2                               | 56                                 | <b>\$11,774</b> | V1E (V1)             |  |
|               | 15   | 45   | 15                    | 36                                 | <a href="#">EDP11S045DN1211000</a> | Yes                | C                | ED3                               | 88                                 | <b>\$13,079</b> | V1E (V1)             |  |
|               | 20   | 54   | 20                    | 45                                 | <a href="#">EDP11S054DN1211000</a> | Yes                | C                | ED3                               | 90                                 | <b>\$14,501</b> | V1E (V1)             |  |
|               | 25   | 70   | 20                    | 56                                 | <a href="#">EDP11S070DN1211000</a> | Yes                | C                | ED3                               | 100                                | <b>\$15,620</b> | V1E (V1)             |  |
|               | 30   | 86   | 25                    | 70                                 | <a href="#">EDP11S086DN1211000</a> | Yes                | D                | ED4                               | 230                                | <b>\$17,779</b> | V1E (V1)             |  |
|               | 40   | 105  | 30                    | 86                                 | <a href="#">EDP11S105DN1211000</a> | Yes                | D                | ED4                               | 240                                | <b>\$20,815</b> | V1E (V1)             |  |
|               | 50   | 142  | 40                    | 115                                | <a href="#">EDP11S142DN1211000</a> | No                 | E <sup>5</sup>   | ED5                               | 300                                | <b>\$25,541</b> | V1E (V1)             |  |
|               | 60   | 180  | 50                    | 142                                | <a href="#">EDP11S180DN1211000</a> | No                 | E <sup>5</sup>   | ED5                               | 300                                | <b>\$31,874</b> | V1E (V1)             |  |
|               | 75   | 211  | 60                    | 180                                | <a href="#">EDP11S211DN1211000</a> | No                 | E <sup>5</sup>   | ED5                               | 300                                | <b>\$36,414</b> | V1E (V1)             |  |
|               | 460 Vac  | <b>Input Power Supply: Three-Phase 460-480 Vac</b> |                       |                                    |                                    |                    |                  |                                   |                                    |                 |                      |  |
| 2             |  | 3.6  | 2                     | 3.6                                | <a href="#">EDP11S003GN1211000</a> | Yes                | A                | ED2                               | 36                                 | <b>\$8,783</b>  | V1E (V1)             |  |
| 3             |  | 5.0  | 3                     | 5.0                                | <a href="#">EDP11S005GN1211000</a> | Yes                | A                | ED2                               | 36                                 | <b>\$8,899</b>  | V1E (V1)             |  |
| 5             |  | 7.0  | 3                     | 5.5                                | <a href="#">EDP11S007GN1211000</a> | Yes                | A                | ED2                               | 41                                 | <b>\$8,963</b>  | V1E (V1)             |  |
| 7 1/2         |  | 10   | 5                     | 10                                 | <a href="#">EDP11S010GN1211000</a> | Yes                | A                | ED2                               | 42                                 | <b>\$9,039</b>  | V1E (V1)             |  |
| 10            |  | 13.5   | 7 1/2                 | 11                                 | <a href="#">EDP11S013GN1211000</a> | Yes                | A                | ED2                               | 42                                 | <b>\$9,138</b>  | V1E (V1)             |  |
| 10            |  | 17   | 10                    | 13.5                               | <a href="#">EDP11S017GN1211000</a> | Yes                | B                | ED2                               | 56                                 | <b>\$9,630</b>  | V1E (V1)             |  |
| 15            |  | 24   | 10                    | 19                                 | <a href="#">EDP11S024GN1211000</a> | Yes                | B                | ED2                               | 56                                 | <b>\$10,376</b> | V1E (V1)             |  |
| 20            |  | 31   | 15                    | 25                                 | <a href="#">EDP11S031GN1211000</a> | Yes                | B                | ED2                               | 56                                 | <b>\$11,246</b> | V1E (V1)             |  |
| 25            |  | 38   | 20                    | 33                                 | <a href="#">EDP11S038GN1211000</a> | Yes                | C                | ED3                               | 90                                 | <b>\$12,158</b> | V1E (V1)             |  |
| 30            |  | 45   | 25                    | 38                                 | <a href="#">EDP11S045GN1211000</a> | Yes                | C                | ED3                               | 104                                | <b>\$13,432</b> | V1E (V1)             |  |
| 40            |  | 58.5   | 30                    | 47                                 | <a href="#">EDP11S058GN1211000</a> | Yes                | C                | ED3                               | 110                                | <b>\$15,484</b> | V1E (V1)             |  |
| 50/60         |  | 70.5   | 40                    | 61                                 | <a href="#">EDP11S070GN1211000</a> | Yes                | D                | ED4                               | 240                                | <b>\$16,187</b> | V1E (V1)             |  |
| 75            |  | 88   | 50                    | 73                                 | <a href="#">EDP11S088GN1211000</a> | Yes                | D                | ED4                               | 245                                | <b>\$18,639</b> | V1E (V1)             |  |
| 75            |  | 105  | 75                    | 88                                 | <a href="#">EDP11S105GN1211000</a> | No                 | E <sup>5</sup>   | ED5                               | 300                                | <b>\$22,071</b> | V1E (V1)             |  |
| 100/125       |  | 142  | 75                    | 115                                | <a href="#">EDP11S142GN1211000</a> | No                 | E <sup>5</sup>   | ED5                               | 300                                | <b>\$26,463</b> | V1E (V1)             |  |
| 150           |  | 180  | 100                   | 142                                | <a href="#">EDP11S180GN1211000</a> | No                 | E <sup>5</sup>   | ED5                               | 300                                | <b>\$33,044</b> | V1E (V1)             |  |
| 175           |  | 211  | 125                   | 180                                | <a href="#">EDP11S211GN1211000</a> | No                 | E <sup>5</sup>   | ED5                               | 300                                | <b>\$37,733</b> | V1E (V1)             |  |
| 200           |  | 242  | 150                   | 211                                | <a href="#">EDP11S242GN1211000</a> | No                 | F <sup>5</sup>   | ED7                               | 700                                | <b>\$54,097</b> | V1E (V1)             |  |
| 250           |  | 312  | 200                   | 242                                | <a href="#">EDP11S312GN1211000</a> | No                 | F <sup>5</sup>   | ED7                               | 720                                | <b>\$60,115</b> | V1E (V1)             |  |
| 300           |  | 370  | 250                   | 312                                | <a href="#">EDP11S370GN1211000</a> | No                 | F <sup>5</sup>   | ED7                               | 750                                | <b>\$63,004</b> | V1E (V1)             |  |
| 400           | 477  | 300  | 370                   | <a href="#">EDP11S477GN1211000</a> | No                                 | F <sup>5</sup>     | ED7              | 775                               | <b>\$77,476</b>                    | V1E (V1)        |                      |  |
| 450           | 515  | 400  | 477                   | <a href="#">EDP11S515GN1211000</a> | No                                 | G <sup>5</sup>     | ED9              | 1100                              | <b>\$88,914</b>                    | V1E (V1)        |                      |  |
| 500           | 601  | 450  | 515                   | <a href="#">EDP11S601GN1211000</a> | No                                 | G <sup>5</sup>     | ED9              | 1120                              | <b>\$100,305</b>                   | V1E (V1)        |                      |  |
| 600           | 720  | 500  | 560                   | <a href="#">EDP11S720GN1211000</a> | No                                 | G <sup>6</sup>     | ED9              | 1150                              | <b>\$120,802</b>                   | V1E (V1)        |                      |  |

**Notes:**

- 1) CT = Constant Torque, 150% overload / 60 sec.; VT = Variable Torque (Quadratic Load), 110% overload / 60 sec.
  - 2) "HP" rating based on "average FLA values". Use as a guide only.
  - 3) Motor FLA may vary with speed and manufacturer. ALWAYS compare motor FLA to Nominal AMPS of drive.
  - 4) ED1 - ED4 enclosures are non-ventilated and wall-mounted; ED6 - ED10 enclosures are ventilated and floor mounted.
  - 5) Maximum 45°C ambient temperature without derating
  - 6) Maximum 40°C ambient temperature without derating
  - 7) Maximum 35°C ambient temperature without derating
- For other technical data please refer to WEG product manual.

### Engineered Drive Panel - NEMA 3R Enclosure (no By-Pass)

| Motor Voltage | ND / VT <sup>1</sup>                        |   | HD / CT <sup>1</sup> |                         | Catalog Number | Braking Transistor | Drive Frame Size | Enclosure Frame Size <sup>4</sup> | Approx. Weight (lbs.) <sup>7</sup> | List Price | Multiplier New (Old) |  |
|---------------|---|---|----------------------|-------------------------|----------------|--------------------|------------------|-----------------------------------|------------------------------------|------------|----------------------|--|
|               | Motor HP <sup>2</sup>                       | Drive Amps <sup>3</sup>                     | Motor HP 2           | Drive Amps <sup>3</sup> |                |                    |                  |                                   |                                    |            |                      |  |
| 230 Vac       | Input Power Supply: Three-Phase 220-240 Vac |   |                      |                         |                |                    |                  |                                   |                                    |            |                      |  |
|               | 2   | 7.0   | 1 1/2                | 5.5                     | EDP11S007DN3R  | Yes                | A <sup>5</sup>   | ED1                               | 36                                 | \$8,521    | V1E (V1)             |  |
|               | 3   | 10  | 2                    | 8.0                     | EDP11S010DN3R  | Yes                | A <sup>5</sup>   | ED1                               | 36                                 | \$8,587    | V1E (V1)             |  |
|               | 5   | 13  | 3                    | 11                      | EDP11S013DN3R  | Yes                | A <sup>5</sup>   | ED1                               | 41                                 | \$8,686    | V1E (V1)             |  |
|               | 5   | 16  | 5                    | 13                      | EDP11S016DN3R  | Yes                | A <sup>5</sup>   | ED1                               | 42                                 | \$8,918    | V1E (V1)             |  |
|               | 7 1/2                                       | 24  | 7 1/2                | 20                      | EDP11S024DN3R  | Yes                | B <sup>5</sup>   | ED1                               | 56                                 | \$9,459    | V1E (V1)             |  |
|               | 10  | 28  | 10                   | 24                      | EDP11S028DN3R  | Yes                | B <sup>5</sup>   | ED1                               | 56                                 | \$10,202   | V1E (V1)             |  |
|               | 10  | 33.5  | 10                   | 28                      | EDP11S033DN3R  | Yes                | B <sup>5</sup>   | ED1                               | 56                                 | \$10,902   | V1E (V1)             |  |
|               | 15  | 45  | 15                   | 36                      | EDP11S045DN3R  | Yes                | C <sup>5</sup>   | ED2                               | 88                                 | \$12,122   | V1E (V1)             |  |
|               | 20  | 54  | 20                   | 45                      | EDP11S054DN3R  | Yes                | C <sup>5</sup>   | ED2                               | 90                                 | \$13,400   | V1E (V1)             |  |
|               | 25  | 70  | 20                   | 56                      | EDP11S070DN3R  | Yes                | C <sup>5</sup>   | ED2                               | 100                                | \$14,162   | V1E (V1)             |  |
|               | 30  | 86  | 25                   | 70                      | EDP11S086DN3R  | Yes                | D <sup>5</sup>   | ED3                               | 230                                | \$16,320   | V1E (V1)             |  |
|               | 40  | 105   | 30                   | 86                      | EDP11S105DN3R  | Yes                | D <sup>5</sup>   | ED3                               | 240                                | \$19,338   | V1E (V1)             |  |
|               | 50  | 142   | 40                   | 115                     | EDP11S142DN3R  | No                 | E <sup>6</sup>   | ED4                               | 300                                | \$21,967   | V1E (V1)             |  |
|               | 60  | 180   | 50                   | 142                     | EDP11S180DN3R  | No                 | E <sup>6</sup>   | ED4                               | 300                                | \$27,290   | V1E (V1)             |  |
|               | 75  | 211   | 60                   | 180                     | EDP11S211DN3R  | No                 | E <sup>6</sup>   | ED4                               | 300                                | \$30,499   | V1E (V1)             |  |
|               | 460 Vac                                     | Input Power Supply: Three-Phase 460-480 Vac |                      |                         |                |                    |                  |                                   |                                    |            |                      |  |
| 2             |   | 3.6   | 2                    | 3.6                     | EDP11S003GN3R  | Yes                | A <sup>5</sup>   | ED1                               | 36                                 | \$8,341    | V1E (V1)             |  |
| 3             |   | 5.0   | 3                    | 5.0                     | EDP11S005GN3R  | Yes                | A <sup>5</sup>   | ED1                               | 36                                 | \$8,457    | V1E (V1)             |  |
| 5             |   | 7.0   | 3                    | 5.5                     | EDP11S007GN3R  | Yes                | A <sup>5</sup>   | ED1                               | 41                                 | \$8,521    | V1E (V1)             |  |
| 7 1/2         |   | 10  | 5                    | 10                      | EDP11S010GN3R  | Yes                | A <sup>5</sup>   | ED1                               | 42                                 | \$8,587    | V1E (V1)             |  |
| 10            |   | 13.5  | 7 1/2                | 11                      | EDP11S013GN3R  | Yes                | A <sup>5</sup>   | ED1                               | 42                                 | \$8,686    | V1E (V1)             |  |
| 10            |   | 17  | 10                   | 13.5                    | EDP11S017GN3R  | Yes                | B <sup>5</sup>   | ED1                               | 56                                 | \$9,100    | V1E (V1)             |  |
| 15            |   | 24  | 10                   | 19                      | EDP11S024GN3R  | Yes                | B <sup>5</sup>   | ED1                               | 56                                 | \$9,652    | V1E (V1)             |  |
| 20            |   | 31  | 15                   | 25                      | EDP11S031GN3R  | Yes                | B <sup>5</sup>   | ED1                               | 56                                 | \$10,411   | V1E (V1)             |  |
| 25            |   | 38  | 20                   | 33                      | EDP11S038GN3R  | Yes                | C <sup>5</sup>   | ED2                               | 90                                 | \$11,125   | V1E (V1)             |  |
| 30            |   | 45  | 25                   | 38                      | EDP11S045GN3R  | Yes                | C <sup>5</sup>   | ED2                               | 104                                | \$12,369   | V1E (V1)             |  |
| 40            |   | 58.5  | 30                   | 47                      | EDP11S058GN3R  | Yes                | C <sup>5</sup>   | ED2                               | 110                                | \$13,673   | V1E (V1)             |  |
| 50/60         |   | 70.5  | 40                   | 61                      | EDP11S070GN3R  | Yes                | D <sup>5</sup>   | ED3                               | 240                                | \$14,451   | V1E (V1)             |  |
| 75            |   | 88  | 50                   | 73                      | EDP11S088GN3R  | Yes                | D <sup>5</sup>   | ED3                               | 245                                | \$16,653   | V1E (V1)             |  |
| 75            |   | 105   | 75                   | 88                      | EDP11S105GN3R  | No                 | E <sup>6</sup>   | ED4                               | 300                                | \$19,733   | V1E (V1)             |  |
| 100/125       |   | 142   | 75                   | 115                     | EDP11S142GN3R  | No                 | E <sup>6</sup>   | ED4                               | 300                                | \$22,415   | V1E (V1)             |  |
| 150           |   | 180   | 100                  | 142                     | EDP11S180GN3R  | No                 | E <sup>6</sup>   | ED4                               | 300                                | \$27,847   | V1E (V1)             |  |
| 175           |   | 211   | 125                  | 180                     | EDP11S211GN3R  | No                 | E <sup>6</sup>   | ED4                               | 300                                | \$31,122   | V1E (V1)             |  |
| 200           |   | 242   | 150                  | 211                     | EDP11S242GN3R  | No                 | F <sup>6</sup>   | ED6                               | 700                                | \$45,693   | V1E (V1)             |  |
| 250           |   | 312   | 200                  | 242                     | EDP11S312GN3R  | No                 | F <sup>6</sup>   | ED6                               | 720                                | \$50,053   | V1E (V1)             |  |
| 300           |   | 370   | 250                  | 312                     | EDP11S370GN3R  | No                 | F <sup>6</sup>   | ED6                               | 750                                | \$52,682   | V1E (V1)             |  |
| 400           |   | 477   | 300                  | 370                     | EDP11S477GN3R  | No                 | F <sup>6</sup>   | ED6                               | 775                                | \$59,523   | V1E (V1)             |  |
| 450           |   | 515   | 400                  | 477                     | EDP11S515GN3R  | No                 | G <sup>6</sup>   | ED8                               | 1100                               | \$71,976   | V1E (V1)             |  |
| 500           | 601   | 450   | 515                  | EDP11S601GN3R           | No             | G <sup>6</sup>     | ED8              | 1120                              | \$77,828                           | V1E (V1)   |                      |  |
| 600           | 720   | 500   | 560                  | EDP11S720GN3R           | No             | G <sup>7</sup>     | ED8              | 1150                              | \$94,509                           | V1E (V1)   |                      |  |
| 700           | 795   | 550   | 637                  | EDP11S795GN3R           | No             | H <sup>7</sup>     | ED10             | 1700                              | \$116,480                          | V1E (V1)   |                      |  |
| 750           | 877   | 600   | 715                  | EDP11S877GN3R           | No             | H <sup>7</sup>     | ED10             | 1700                              | \$123,630                          | V1E (V1)   |                      |  |
| 950           | 1062  | 750   | 855                  | EDP11S1062GN3R          | No             | H <sup>7</sup>     | ED10             | 1850                              | \$142,890                          | V1E (V1)   |                      |  |
| 1000          | 1041  | 800   | 943                  | EDP11S1141GN3R          | No             | H <sup>7</sup>     | ED10             | 1850                              | \$154,345                          | V1E (V1)   |                      |  |

Notes:

- 1) CT = Constant Torque, 150% overload / 60 sec.; VT = Variable Torque (Quadratic Load), 110% overload / 60 sec.
- 2) "HP" rating based on "average FLA values". Use as a guide only.
- 3) Motor FLA may vary with speed and manufacturer. ALWAYS compare motor FLA to Nominal AMPS of drive.
- 4) ED1 - ED4 enclosures are non-ventilated and wall-mounted; ED6 - ED10 enclosures are ventilated and floor mounted.
- 5) Maximum 45°C ambient temperature without derating
- 6) Maximum 40°C ambient temperature without derating
- 7) Maximum 35°C ambient temperature without derating
- 8) Dimensions and weights are for estimating purposes only. Only use "AS BUILT" drawings for construction. For other technical data please refer to WEG product manual.

INDEX  
 WARRANTY INFO  
 CFW100 G2  
 CFW300  
 CFW500 G2  
 CFW500 G1  
 CFW700  
 CFW11  
 CFW11M  
 PUMP GENIUS  
 CFW501  
 CFW701  
 SSW05  
 SSW07  
 SSW900  
 SSW7000  
 EDP11  
 GPH2  
 APS9  
 MFM

# Variable Frequency Drives



EDP11

## Engineered Drive Panel - NEMA 3R Enclosure with By-Pass

| Motor Voltage | ND / VT <sup>1</sup>                               |                         | HD / CT <sup>1</sup>  |                         | Catalog Number     | Braking Transistor | Drive Frame Size | Enclosure Frame Size <sup>4</sup> | Approx. Weight (lbs.) <sup>7</sup> | List Price | Multiplier New (Old) |  |
|---------------|--|-------------------------|-----------------------|-------------------------|--------------------|--------------------|------------------|-----------------------------------|------------------------------------|------------|----------------------|--|
|               | Motor HP <sup>2</sup>                              | Drive Amps <sup>3</sup> | Motor HP <sup>2</sup> | Drive Amps <sup>3</sup> |                    |                    |                  |                                   |                                    |            |                      |  |
| 230 Vac       | <b>Input Power Supply: Three-Phase 220-240 Vac</b> |                         |                       |                         |                    |                    |                  |                                   |                                    |            |                      |  |
|               | 2  | 7.0                     | 1 1/2                 | 5.5                     | EDP11S007DN3R10000 | Yes                | A <sup>5</sup>   | ED2                               | 36                                 | \$10,031   | V1E (V1)             |  |
|               | 3  | 10                      | 2                     | 8.0                     | EDP11S010DN3R10000 | Yes                | A <sup>5</sup>   | ED2                               | 36                                 | \$10,107   | V1E (V1)             |  |
|               | 5  | 13                      | 3                     | 11                      | EDP11S013DN3R10000 | Yes                | A <sup>5</sup>   | ED2                               | 41                                 | \$10,206   | V1E (V1)             |  |
|               | 5  | 16                      | 5                     | 13                      | EDP11S016DN3R10000 | Yes                | A <sup>5</sup>   | ED2                               | 42                                 | \$10,438   | V1E (V1)             |  |
|               | 7 1/2  | 24                      | 7 1/2                 | 20                      | EDP11S024DN3R10000 | Yes                | B <sup>5</sup>   | ED2                               | 56                                 | \$11,057   | V1E (V1)             |  |
|               | 10   | 28                      | 10                    | 24                      | EDP11S028DN3R10000 | Yes                | B <sup>5</sup>   | ED2                               | 56                                 | \$11,994   | V1E (V1)             |  |
|               | 10   | 33.5                    | 10                    | 28                      | EDP11S033DN3R10000 | Yes                | B <sup>5</sup>   | ED2                               | 56                                 | \$12,805   | V1E (V1)             |  |
|               | 15   | 45                      | 15                    | 36                      | EDP11S045DN3R10000 | Yes                | C <sup>5</sup>   | ED3                               | 88                                 | \$14,224   | V1E (V1)             |  |
|               | 20   | 54                      | 20                    | 45                      | EDP11S054DN3R10000 | Yes                | C <sup>5</sup>   | ED3                               | 90                                 | \$15,647   | V1E (V1)             |  |
|               | 25   | 70                      | 20                    | 56                      | EDP11S070DN3R10000 | Yes                | C <sup>5</sup>   | ED3                               | 100                                | \$16,857   | V1E (V1)             |  |
|               | 30   | 86                      | 25                    | 70                      | EDP11S086DN3R10000 | Yes                | D <sup>5</sup>   | ED4                               | 230                                | \$19,015   | V1E (V1)             |  |
|               | 40   | 105                     | 30                    | 86                      | EDP11S105DN3R10000 | Yes                | D <sup>5</sup>   | ED4                               | 240                                | \$22,226   | V1E (V1)             |  |
|               | 50   | 142                     | 40                    | 115                     | EDP11S142DN3R10000 | No                 | E <sup>6</sup>   | ED5                               | 300                                | \$26,952   | V1E (V1)             |  |
|               | 60   | 180                     | 50                    | 142                     | EDP11S180DN3R10000 | No                 | E <sup>6</sup>   | ED5                               | 300                                | \$33,285   | V1E (V1)             |  |
|               | 75   | 211                     | 60                    | 180                     | EDP11S211DN3R10000 | No                 | E <sup>6</sup>   | ED5                               | 300                                | \$37,824   | V1E (V1)             |  |
| 460 Vac       | <b>Input Power Supply: Three-Phase 460-480 Vac</b> |                         |                       |                         |                    |                    |                  |                                   |                                    |            |                      |  |
|               | 2  | 3.6                     | 2                     | 3.6                     | EDP11S003GN3R10000 | Yes                | A <sup>5</sup>   | ED2                               | 36                                 | \$9,851    | V1E (V1)             |  |
|               | 3  | 5.0                     | 3                     | 5.0                     | EDP11S005GN3R10000 | Yes                | A <sup>5</sup>   | ED2                               | 36                                 | \$9,967    | V1E (V1)             |  |
|               | 5  | 7.0                     | 3                     | 5.5                     | EDP11S007GN3R10000 | Yes                | A <sup>5</sup>   | ED2                               | 41                                 | \$10,031   | V1E (V1)             |  |
|               | 7 1/2  | 10                      | 5                     | 10                      | EDP11S010GN3R10000 | Yes                | A <sup>5</sup>   | ED2                               | 42                                 | \$10,107   | V1E (V1)             |  |
|               | 10   | 13.5                    | 7 1/2                 | 11                      | EDP11S013GN3R10000 | Yes                | A <sup>5</sup>   | ED2                               | 42                                 | \$10,206   | V1E (V1)             |  |
|               | 10   | 17                      | 10                    | 13.5                    | EDP11S017GN3R10000 | Yes                | B <sup>5</sup>   | ED2                               | 56                                 | \$10,698   | V1E (V1)             |  |
|               | 15   | 24                      | 10                    | 19                      | EDP11S024GN3R10000 | Yes                | B <sup>5</sup>   | ED2                               | 56                                 | \$11,444   | V1E (V1)             |  |
|               | 20   | 31                      | 15                    | 25                      | EDP11S031GN3R10000 | Yes                | B <sup>5</sup>   | ED2                               | 56                                 | \$12,314   | V1E (V1)             |  |
|               | 25   | 38                      | 20                    | 33                      | EDP11S038GN3R10000 | Yes                | C <sup>5</sup>   | ED3                               | 90                                 | \$13,227   | V1E (V1)             |  |
|               | 30   | 45                      | 25                    | 38                      | EDP11S045GN3R10000 | Yes                | C <sup>5</sup>   | ED3                               | 104                                | \$14,616   | V1E (V1)             |  |
|               | 40   | 58.5                    | 30                    | 47                      | EDP11S058GN3R10000 | Yes                | C <sup>5</sup>   | ED3                               | 110                                | \$16,368   | V1E (V1)             |  |
|               | 50/60  | 70.5                    | 40                    | 61                      | EDP11S070GN3R10000 | Yes                | D <sup>5</sup>   | ED4                               | 240                                | \$17,146   | V1E (V1)             |  |
|               | 75   | 88                      | 50                    | 73                      | EDP11S088GN3R10000 | Yes                | D <sup>5</sup>   | ED4                               | 245                                | \$19,541   | V1E (V1)             |  |
|               | 75   | 105                     | 75                    | 88                      | EDP11S105GN3R10000 | No                 | E <sup>6</sup>   | ED5                               | 300                                | \$23,077   | V1E (V1)             |  |
|               | 100/125  | 142                     | 75                    | 115                     | EDP11S142GN3R10000 | No                 | E <sup>6</sup>   | ED5                               | 300                                | \$27,400   | V1E (V1)             |  |
|               | 150  | 180                     | 100                   | 142                     | EDP11S180GN3R10000 | No                 | E <sup>6</sup>   | ED5                               | 300                                | \$33,842   | V1E (V1)             |  |
|               | 175  | 211                     | 125                   | 180                     | EDP11S211GN3R10000 | No                 | E <sup>6</sup>   | ED5                               | 300                                | \$38,447   | V1E (V1)             |  |
|               | 200  | 242                     | 150                   | 211                     | EDP11S242GN3R10000 | No                 | F <sup>6</sup>   | ED7                               | 700                                | \$58,272   | V1E (V1)             |  |
|               | 250  | 312                     | 200                   | 242                     | EDP11S312GN3R10000 | No                 | F <sup>6</sup>   | ED7                               | 720                                | \$64,196   | V1E (V1)             |  |
| 300           | 370  | 250                     | 312                   | EDP11S370GN3R10000      | No                 | F <sup>6</sup>     | ED7              | 750                               | \$67,085                           | V1E (V1)   |                      |  |
| 400           | 477  | 300                     | 370                   | EDP11S477GN3R10000      | No                 | F <sup>6</sup>     | ED7              | 775                               | \$81,556                           | V1E (V1)   |                      |  |
| 450           | 515  | 400                     | 477                   | EDP11S515GN3R10000      | No                 | G <sup>6</sup>     | ED9              | 1100                              | \$94,009                           | V1E (V1)   |                      |  |
| 500           | 601  | 450                     | 515                   | EDP11S601GN3R10000      | No                 | G <sup>6</sup>     | ED9              | 1120                              | \$105,400                          | V1E (V1)   |                      |  |
| 600           | 720  | 500                     | 560                   | EDP11S720GN3R10000      | No                 | G <sup>7</sup>     | ED9              | 1150                              | \$125,897                          | V1E (V1)   |                      |  |

Notes:

- 1) CT = Constant Torque, 150% overload / 60 sec.; VT = Variable Torque (Quadratic Load), 110% overload / 60 sec.
- 2) "HP" rating based on "average FLA values". Use as a guide only.
- 3) Motor FLA may vary with speed and manufacturer. ALWAYS compare motor FLA to Nominal AMPS of drive.
- 4) ED1 - ED5 enclosures are non-ventilated and wall-mounted (ED5 - free standing); ED6 - ED9 enclosures are ventilated and floor mounted.
- 5) Maximum 45°C ambient temperature without derating
- 6) Maximum 40°C ambient temperature without derating
- 7) Maximum 35°C ambient temperature without derating
- 8) Dimensions and weights are for estimating purposes only. Only use "AS BUILT" drawings for construction. For other technical data please refer to WEG product manual.





### Engineered Drive Panel - NEMA 3R Enclosure (no By-Pass) with HOA / Pot / TB

| Motor Voltage | ND / VT <sup>1</sup>                        |                         | HD / CT <sup>1</sup>  |                         | Catalog Number     | Braking Transistor | Drive Frame Size | Enclosure Frame Size <sup>4</sup> | Approx. Weight (lbs.) <sup>7</sup> | List Price | Multiplier New (Old) |
|---------------|---|-------------------------|-----------------------|-------------------------|--------------------|--------------------|------------------|-----------------------------------|------------------------------------|------------|----------------------|
|               | Motor HP <sup>2</sup>                       | Drive Amps <sup>3</sup> | Motor HP <sup>2</sup> | Drive Amps <sup>3</sup> |                    |                    |                  |                                   |                                    |            |                      |
| 230 Vac       | Input Power Supply: Three-Phase 220-240 Vac |                         |                       |                         |                    |                    |                  |                                   |                                    |            |                      |
|               | 2   | 7.0                     | 1 1/2                 | 5.5                     | EDP11S007DN3R01000 | Yes                | A <sup>5</sup>   | ED1                               | 36                                 | \$9,284    | V1E (V1)             |
|               | 3   | 10                      | 2                     | 8.0                     | EDP11S010DN3R01000 | Yes                | A <sup>5</sup>   | ED1                               | 36                                 | \$9,350    | V1E (V1)             |
|               | 5   | 13                      | 3                     | 11                      | EDP11S013DN3R01000 | Yes                | A <sup>5</sup>   | ED1                               | 41                                 | \$9,449    | V1E (V1)             |
|               | 5   | 16                      | 5                     | 13                      | EDP11S016DN3R01000 | Yes                | A <sup>5</sup>   | ED1                               | 42                                 | \$9,681    | V1E (V1)             |
|               | 7 1/2                                       | 24                      | 7 1/2                 | 20                      | EDP11S024DN3R01000 | Yes                | B <sup>5</sup>   | ED1                               | 56                                 | \$10,222   | V1E (V1)             |
|               | 10  | 28                      | 10                    | 24                      | EDP11S028DN3R01000 | Yes                | B <sup>5</sup>   | ED1                               | 56                                 | \$10,965   | V1E (V1)             |
|               | 10  | 33.5                    | 10                    | 28                      | EDP11S033DN3R01000 | Yes                | B <sup>5</sup>   | ED1                               | 56                                 | \$11,665   | V1E (V1)             |
|               | 15  | 45                      | 15                    | 36                      | EDP11S045DN3R01000 | Yes                | C <sup>5</sup>   | ED2                               | 88                                 | \$12,885   | V1E (V1)             |
|               | 20  | 54                      | 20                    | 45                      | EDP11S054DN3R01000 | Yes                | C <sup>5</sup>   | ED2                               | 90                                 | \$14,163   | V1E (V1)             |
|               | 25  | 70                      | 20                    | 56                      | EDP11S070DN3R01000 | Yes                | C <sup>5</sup>   | ED2                               | 100                                | \$14,925   | V1E (V1)             |
|               | 30  | 86                      | 25                    | 70                      | EDP11S086DN3R01000 | Yes                | D <sup>5</sup>   | ED3                               | 230                                | \$17,083   | V1E (V1)             |
|               | 40  | 105                     | 30                    | 86                      | EDP11S105DN3R01000 | Yes                | D <sup>5</sup>   | ED3                               | 240                                | \$20,101   | V1E (V1)             |
|               | 50  | 142                     | 40                    | 115                     | EDP11S142DN3R01000 | No                 | E <sup>6</sup>   | ED4                               | 300                                | \$22,730   | V1E (V1)             |
|               | 60  | 180                     | 50                    | 142                     | EDP11S180DN3R01000 | No                 | E <sup>6</sup>   | ED4                               | 300                                | \$28,053   | V1E (V1)             |
|               | 75  | 211                     | 60                    | 180                     | EDP11S211DN3R01000 | No                 | E <sup>6</sup>   | ED4                               | 300                                | \$31,262   | V1E (V1)             |
| 460 Vac       | Input Power Supply: Three-Phase 460-480 Vac |                         |                       |                         |                    |                    |                  |                                   |                                    |            |                      |
|               | 2   | 3.6                     | 2                     | 3.6                     | EDP11S003GN3R01000 | Yes                | A <sup>5</sup>   | ED1                               | 36                                 | \$9,104    | V1E (V1)             |
|               | 3   | 5.0                     | 3                     | 5.0                     | EDP11S005GN3R01000 | Yes                | A <sup>5</sup>   | ED1                               | 36                                 | \$9,220    | V1E (V1)             |
|               | 5   | 7.0                     | 3                     | 5.5                     | EDP11S007GN3R01000 | Yes                | A <sup>5</sup>   | ED1                               | 41                                 | \$9,284    | V1E (V1)             |
|               | 7 1/2                                       | 10                      | 5                     | 10                      | EDP11S010GN3R01000 | Yes                | A <sup>5</sup>   | ED1                               | 42                                 | \$9,350    | V1E (V1)             |
|               | 10  | 13.5                    | 7 1/2                 | 11                      | EDP11S013GN3R01000 | Yes                | A <sup>5</sup>   | ED1                               | 42                                 | \$9,449    | V1E (V1)             |
|               | 10  | 17                      | 10                    | 13.5                    | EDP11S017GN3R01000 | Yes                | B <sup>5</sup>   | ED1                               | 56                                 | \$9,863    | V1E (V1)             |
|               | 15  | 24                      | 10                    | 19                      | EDP11S024GN3R01000 | Yes                | B <sup>5</sup>   | ED1                               | 56                                 | \$10,415   | V1E (V1)             |
|               | 20  | 31                      | 15                    | 25                      | EDP11S031GN3R01000 | Yes                | B <sup>5</sup>   | ED1                               | 56                                 | \$11,174   | V1E (V1)             |
|               | 25  | 38                      | 20                    | 33                      | EDP11S038GN3R01000 | Yes                | C <sup>5</sup>   | ED2                               | 90                                 | \$11,888   | V1E (V1)             |
|               | 30  | 45                      | 25                    | 38                      | EDP11S045GN3R01000 | Yes                | C <sup>5</sup>   | ED2                               | 104                                | \$13,132   | V1E (V1)             |
|               | 40  | 58.5                    | 30                    | 47                      | EDP11S058GN3R01000 | Yes                | C <sup>5</sup>   | ED2                               | 110                                | \$14,436   | V1E (V1)             |
|               | 50/60                                       | 70.5                    | 40                    | 61                      | EDP11S070GN3R01000 | Yes                | D <sup>5</sup>   | ED3                               | 240                                | \$15,214   | V1E (V1)             |
|               | 75  | 88                      | 50                    | 73                      | EDP11S088GN3R01000 | Yes                | D <sup>5</sup>   | ED3                               | 245                                | \$17,416   | V1E (V1)             |
|               | 75  | 105                     | 75                    | 88                      | EDP11S105GN3R01000 | No                 | E <sup>6</sup>   | ED4                               | 300                                | \$20,496   | V1E (V1)             |
|               | 100/125                                     | 142                     | 75                    | 115                     | EDP11S142GN3R01000 | No                 | E <sup>6</sup>   | ED4                               | 300                                | \$23,178   | V1E (V1)             |
|               | 150   | 180                     | 100                   | 142                     | EDP11S180GN3R01000 | No                 | E <sup>6</sup>   | ED4                               | 300                                | \$28,610   | V1E (V1)             |
|               | 175   | 211                     | 125                   | 180                     | EDP11S211GN3R01000 | No                 | E <sup>6</sup>   | ED4                               | 300                                | \$31,885   | V1E (V1)             |
|               | 200   | 242                     | 150                   | 211                     | EDP11S242GN3R01000 | No                 | F <sup>6</sup>   | ED6                               | 700                                | \$46,456   | V1E (V1)             |
|               | 250   | 312                     | 200                   | 242                     | EDP11S312GN3R01000 | No                 | F <sup>6</sup>   | ED6                               | 720                                | \$50,911   | V1E (V1)             |
|               | 300   | 370                     | 250                   | 312                     | EDP11S370GN3R01000 | No                 | F <sup>6</sup>   | ED6                               | 750                                | \$53,540   | V1E (V1)             |
|               | 400   | 477                     | 300                   | 370                     | EDP11S477GN3R01000 | No                 | F <sup>6</sup>   | ED6                               | 775                                | \$60,381   | V1E (V1)             |
| 450           | 515   | 400                     | 477                   | EDP11S515GN3R01000      | No                 | G <sup>6</sup>     | ED8              | 1100                              | \$72,834                           | V1E (V1)   |                      |
| 500           | 601   | 450                     | 515                   | EDP11S601GN3R01000      | No                 | G <sup>6</sup>     | ED8              | 1120                              | \$78,686                           | V1E (V1)   |                      |
| 600           | 720   | 500                     | 560                   | EDP11S720GN3R01000      | No                 | G <sup>7</sup>     | ED8              | 1150                              | \$95,367                           | V1E (V1)   |                      |
| 700           | 795   | 550                     | 637                   | EDP11S795GN3R01000      | No                 | H <sup>7</sup>     | ED10             | 1700                              | \$117,338                          | V1E (V1)   |                      |
| 750           | 877   | 600                     | 715                   | EDP11S877GN3R01000      | No                 | H <sup>7</sup>     | ED10             | 1700                              | \$124,488                          | V1E (V1)   |                      |
| 950           | 1062  | 750                     | 855                   | EDP11S1062GN3R01000     | No                 | H <sup>7</sup>     | ED10             | 1850                              | \$143,748                          | V1E (V1)   |                      |
| 1000          | 1041  | 800                     | 943                   | EDP11S1141GN3R01000     | No                 | H <sup>7</sup>     | ED10             | 1850                              | \$155,203                          | V1E (V1)   |                      |

Notes:

- 1) CT = Constant Torque, 150% overload / 60 sec.; VT = Variable Torque (Quadratic Load), 110% overload / 60 sec.
- 2) "HP" rating based on "average FLA values". Use as a guide only.
- 3) Motor FLA may vary with speed and manufacturer. ALWAYS compare motor FLA to Nominal AMPS of drive.
- 4) ED1 - ED4 enclosures are non-ventilated and wall-mounted; ED6 - ED10 enclosures are ventilated and floor mounted.
- 5) Maximum 45°C ambient temperature without derating
- 6) Maximum 40°C ambient temperature without derating
- 7) Maximum 35°C ambient temperature without derating
- 8) Dimensions and weights are for estimating purposes only. Only use "AS BUILT" drawings for construction. For other technical data please refer to WEG product manual.

## EDP11

### Engineered Drive Panel - NEMA 3R Enclosure with By-Pass and HOA / Pot / TB

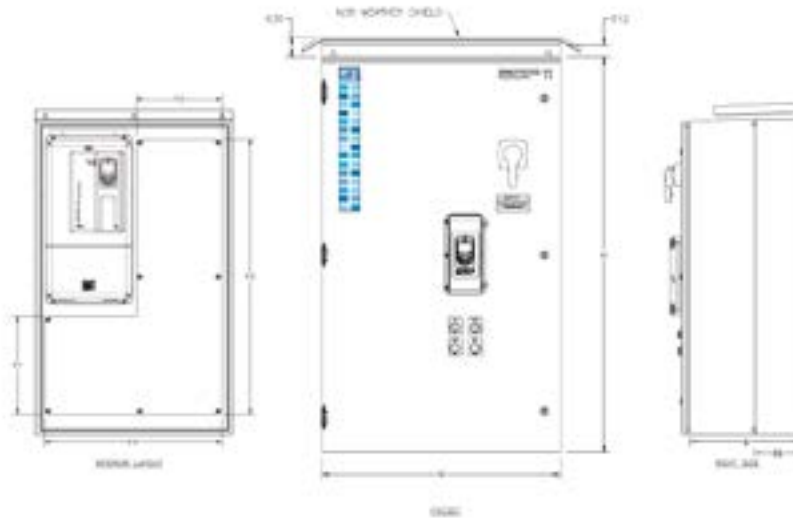
| Motor Voltage | ND / VT <sup>1</sup>                        |                         | HD / CT <sup>1</sup>  |                         | Catalog Number     | Braking Transistor | Drive Frame Size | Enclosure Frame Size <sup>4</sup> | Approx. Weight (lbs.) <sup>7</sup> | List Price | Multiplier New (Old) |
|---------------|---|-------------------------|-----------------------|-------------------------|--------------------|--------------------|------------------|-----------------------------------|------------------------------------|------------|----------------------|
|               | Motor HP <sup>2</sup>                       | Drive Amps <sup>3</sup> | Motor HP <sup>2</sup> | Drive Amps <sup>3</sup> |                    |                    |                  |                                   |                                    |            |                      |
| 230 Vac       | Input Power Supply: Three-Phase 220-240 Vac |                         |                       |                         |                    |                    |                  |                                   |                                    |            |                      |
|               | 2   | 7.0                     | 1 1/2                 | 5.5                     | EDP11S007DN3R11000 | Yes                | A <sup>5</sup>   | ED2                               | 36                                 | \$10,794   | V1E (V1)             |
|               | 3   | 10                      | 2                     | 8.0                     | EDP11S010DN3R11000 | Yes                | A <sup>5</sup>   | ED2                               | 36                                 | \$10,870   | V1E (V1)             |
|               | 5   | 13                      | 3                     | 11                      | EDP11S013DN3R11000 | Yes                | A <sup>5</sup>   | ED2                               | 41                                 | \$10,969   | V1E (V1)             |
|               | 5   | 16                      | 5                     | 13                      | EDP11S016DN3R11000 | Yes                | A <sup>5</sup>   | ED2                               | 42                                 | \$11,201   | V1E (V1)             |
|               | 7 1/2                                       | 24                      | 7 1/2                 | 20                      | EDP11S024DN3R11000 | Yes                | B <sup>5</sup>   | ED2                               | 56                                 | \$11,820   | V1E (V1)             |
|               | 10  | 28                      | 10                    | 24                      | EDP11S028DN3R11000 | Yes                | B <sup>5</sup>   | ED2                               | 56                                 | \$12,757   | V1E (V1)             |
|               | 10  | 33.5                    | 10                    | 28                      | EDP11S033DN3R11000 | Yes                | B <sup>5</sup>   | ED2                               | 56                                 | \$13,568   | V1E (V1)             |
|               | 15  | 45                      | 15                    | 36                      | EDP11S045DN3R11000 | Yes                | C <sup>5</sup>   | ED3                               | 88                                 | \$14,987   | V1E (V1)             |
|               | 20  | 54                      | 20                    | 45                      | EDP11S054DN3R11000 | Yes                | C <sup>5</sup>   | ED3                               | 90                                 | \$16,410   | V1E (V1)             |
|               | 25  | 70                      | 20                    | 56                      | EDP11S070DN3R11000 | Yes                | C <sup>5</sup>   | ED3                               | 100                                | \$17,620   | V1E (V1)             |
|               | 30  | 86                      | 25                    | 70                      | EDP11S086DN3R11000 | Yes                | D <sup>5</sup>   | ED4                               | 230                                | \$19,778   | V1E (V1)             |
|               | 40  | 105                     | 30                    | 86                      | EDP11S105DN3R11000 | Yes                | D <sup>5</sup>   | ED4                               | 240                                | \$22,989   | V1E (V1)             |
|               | 50  | 142                     | 40                    | 115                     | EDP11S142DN3R11000 | No                 | E <sup>6</sup>   | ED5                               | 300                                | \$27,715   | V1E (V1)             |
|               | 60  | 180                     | 50                    | 142                     | EDP11S180DN3R11000 | No                 | E <sup>6</sup>   | ED5                               | 300                                | \$34,048   | V1E (V1)             |
|               | 75  | 211                     | 60                    | 180                     | EDP11S211DN3R11000 | No                 | E <sup>6</sup>   | ED5                               | 300                                | \$38,587   | V1E (V1)             |
| 460 Vac       | Input Power Supply: Three-Phase 460-480 Vac |                         |                       |                         |                    |                    |                  |                                   |                                    |            |                      |
|               | 2   | 3.6                     | 2                     | 3.6                     | EDP11S003GN3R11000 | Yes                | A <sup>5</sup>   | ED2                               | 36                                 | \$10,614   | V1E (V1)             |
|               | 3   | 5.0                     | 3                     | 5.0                     | EDP11S005GN3R11000 | Yes                | A <sup>5</sup>   | ED2                               | 36                                 | \$10,730   | V1E (V1)             |
|               | 5   | 7.0                     | 3                     | 5.5                     | EDP11S007GN3R11000 | Yes                | A <sup>5</sup>   | ED2                               | 41                                 | \$10,794   | V1E (V1)             |
|               | 7 1/2                                       | 10                      | 5                     | 10                      | EDP11S010GN3R11000 | Yes                | A <sup>5</sup>   | ED2                               | 42                                 | \$10,870   | V1E (V1)             |
|               | 10  | 13.5                    | 7 1/2                 | 11                      | EDP11S013GN3R11000 | Yes                | A <sup>5</sup>   | ED2                               | 42                                 | \$10,969   | V1E (V1)             |
|               | 10  | 17                      | 10                    | 13.5                    | EDP11S017GN3R11000 | Yes                | B <sup>5</sup>   | ED2                               | 56                                 | \$11,461   | V1E (V1)             |
|               | 15  | 24                      | 10                    | 19                      | EDP11S024GN3R11000 | Yes                | B <sup>5</sup>   | ED2                               | 56                                 | \$12,207   | V1E (V1)             |
|               | 20  | 31                      | 15                    | 25                      | EDP11S031GN3R11000 | Yes                | B <sup>5</sup>   | ED2                               | 56                                 | \$13,077   | V1E (V1)             |
|               | 25  | 38                      | 20                    | 33                      | EDP11S038GN3R11000 | Yes                | C <sup>5</sup>   | ED3                               | 90                                 | \$13,873   | V1E (V1)             |
|               | 30  | 45                      | 25                    | 38                      | EDP11S045GN3R11000 | Yes                | C <sup>5</sup>   | ED3                               | 104                                | \$15,233   | V1E (V1)             |
|               | 40  | 58.5                    | 30                    | 47                      | EDP11S058GN3R11000 | Yes                | C <sup>5</sup>   | ED3                               | 110                                | \$16,683   | V1E (V1)             |
|               | 50/60                                       | 70.5                    | 40                    | 61                      | EDP11S070GN3R11000 | Yes                | D <sup>5</sup>   | ED4                               | 240                                | \$17,909   | V1E (V1)             |
|               | 75  | 88                      | 50                    | 73                      | EDP11S088GN3R11000 | Yes                | D <sup>5</sup>   | ED4                               | 245                                | \$20,304   | V1E (V1)             |
|               | 75  | 105                     | 75                    | 88                      | EDP11S105GN3R11000 | No                 | E <sup>6</sup>   | ED5                               | 300                                | \$23,840   | V1E (V1)             |
|               | 100/125                                     | 142                     | 75                    | 115                     | EDP11S142GN3R11000 | No                 | E <sup>6</sup>   | ED5                               | 300                                | \$28,163   | V1E (V1)             |
|               | 150   | 180                     | 100                   | 142                     | EDP11S180GN3R11000 | No                 | E <sup>6</sup>   | ED5                               | 300                                | \$34,605   | V1E (V1)             |
|               | 175   | 211                     | 125                   | 180                     | EDP11S211GN3R11000 | No                 | E <sup>6</sup>   | ED5                               | 300                                | \$39,210   | V1E (V1)             |
|               | 200   | 242                     | 150                   | 211                     | EDP11S242GN3R11000 | No                 | F <sup>6</sup>   | ED7                               | 700                                | \$59,035   | V1E (V1)             |
|               | 250   | 312                     | 200                   | 242                     | EDP11S312GN3R11000 | No                 | F <sup>6</sup>   | ED7                               | 720                                | \$65,054   | V1E (V1)             |
| 300           | 370   | 250                     | 312                   | EDP11S370GN3R11000      | No                 | F <sup>6</sup>     | ED7              | 750                               | \$67,943                           | V1E (V1)   |                      |
| 400           | 477   | 300                     | 370                   | EDP11S477GN3R11000      | No                 | F <sup>6</sup>     | ED7              | 775                               | \$82,414                           | V1E (V1)   |                      |
| 450           | 515   | 400                     | 477                   | EDP11S515GN3R11000      | No                 | G <sup>6</sup>     | ED9              | 1100                              | \$94,867                           | V1E (V1)   |                      |
| 500           | 601   | 450                     | 515                   | EDP11S601GN3R11000      | No                 | G <sup>6</sup>     | ED9              | 1120                              | \$106,258                          | V1E (V1)   |                      |
| 600           | 720   | 500                     | 560                   | EDP11S720GN3R11000      | No                 | G <sup>7</sup>     | ED9              | 1150                              | \$126,755                          | V1E (V1)   |                      |

Notes:

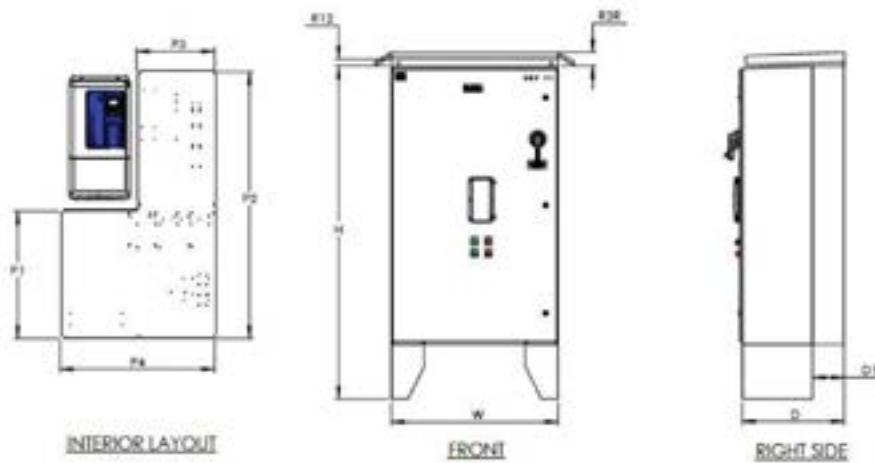
- 1) CT = Constant Torque, 150% overload / 60 sec.; VT = Variable Torque (Quadratic Load), 110% overload / 60 sec.
- 2) "HP" rating based on "average FLA values". Use as a guide only.
- 3) Motor FLA may vary with speed and manufacturer. ALWAYS compare motor FLA to Nominal AMPS of drive.
- 4) ED1 - ED5 enclosures are non-ventilated and wall-mounted (ED5 - free standing); ED6 - ED9 enclosures are ventilated and floor mounted.
- 5) Maximum 45°C ambient temperature without derating
- 6) Maximum 40°C ambient temperature without derating
- 7) Maximum 35°C ambient temperature without derating
- 8) Dimensions and weights are for estimating purposes only. Only use "AS BUILT" drawings for construction. For other technical data please refer to WEG product manual.

## Enclosure Frame Size

### ED 1, 2, 3, 4



### ED 5



## Dimensions <sup>5</sup>

| Frame                   | H  | W  | D    | D1  | R3R <sup>1</sup> | R12 <sup>2</sup> |
|-------------------------|----|----|------|-----|------------------|------------------|
| <b>ED1 <sup>4</sup></b> | 24 | 20 | 11.5 | 2.8 | 2.5              | 1.5              |
| <b>ED2 <sup>4</sup></b> | 30 | 24 | 14   | 5.4 | 2.5              | 1.5              |
| <b>ED3 <sup>4</sup></b> | 36 | 30 | 14   | 5.5 | 2.5              | 1.5              |
| <b>ED4 <sup>4</sup></b> | 48 | 30 | 17.5 | 6.8 | 2.5              | 1.5              |
| <b>ED5 <sup>3</sup></b> | 72 | 36 | 22   | 6.8 | 3                | 1.5              |

NOTE:

1) For NEMA 3R cabinet

2) For NEMA 12 Cabinet

3) ED5 "H" Dimension includes 12" for legs

4) ED1 - ED4 enclosures are non-ventilated and wall-mounted; ED5 enclosures are non-ventilated and floor mounted.

5) Dimensions are provided for estimating purposes only.

\*For NEMA 3R cabinet \*\*For NEMA 12 cabinet

INDEX  
 WARRANTY INFO  
 CF-W100 G2  
 CF-W300  
 CF-W500 G2  
 CF-W500 G1  
 CF-W700  
 CF-W11  
 CF-W11M  
 PUMP GENIUS  
 CF-W501  
 CF-W701  
 SSW05  
 SSW07  
 SSW900  
 SSW7000  
 EDP11  
 GPH2  
 APS9  
 MFM

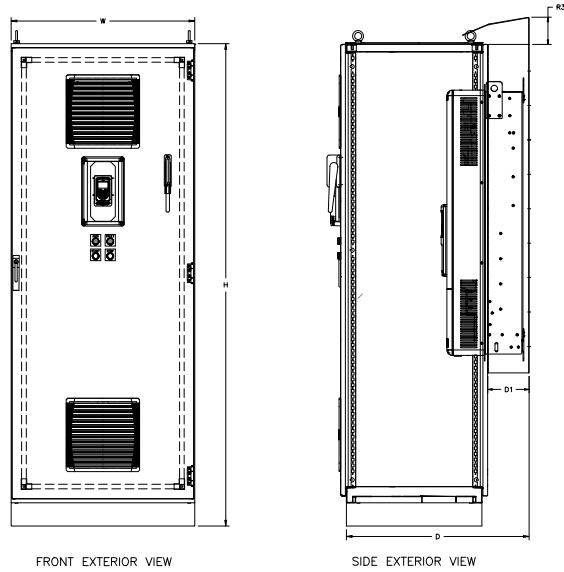
# Variable Frequency Drives



EDP11

## Enclosure Frame Size

ED 6

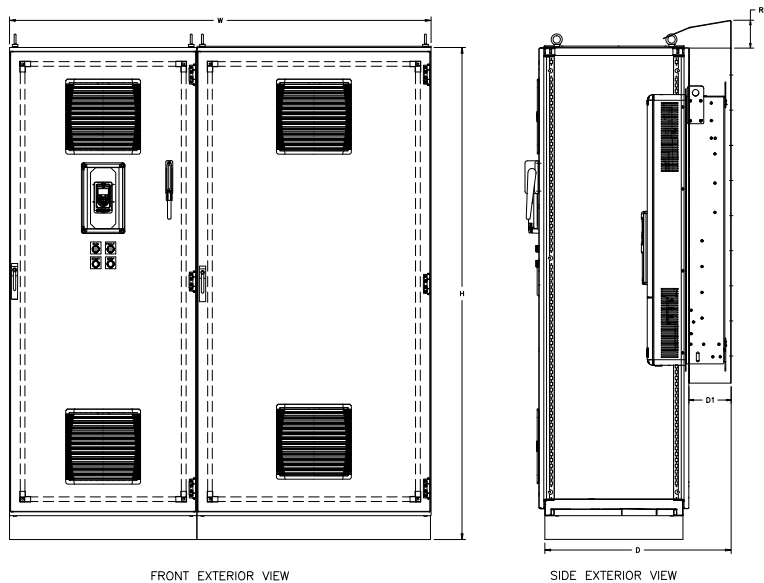


## Dimensions

| Frame | H  | W  | D(N12) | D(N3R) | D1(N12) | D1(N3R) | R3R | N12 |
|-------|----|----|--------|--------|---------|---------|-----|-----|
| ED6   | 83 | 32 | 31.4   | 41     | 6.2     | 11.4    | 0.5 | 1.5 |
| ED7   | 83 | 63 | 31.4   | 41     | 6.2     | 11.4    | 0.5 | 1.5 |
| ED8   | 83 | 56 | 31.9   | 41     | 7.5     | 11.4    | 0.5 | 1.5 |
| ED9   | 83 | 95 | 31.9   | 41     | 7.5     | 11.4    | 0.5 | 1.5 |
| ED10  | 91 | 80 | 31.9   | 41     | 7.5     | 11.4    | 0.5 | 1.5 |

NOTES: ED6 - ED10 enclosures are ventilated and floor-mounted  
 Dimensions are provided for Estimating Purposes only.

ED 7, 8, 9, 10



## GPH2

The Combination Soft Starter is a NEMA 4 Enclosed industrial general purpose AC motor soft starter package. It is designed for simple and quick installation and start-up, requiring only input power and output motor connections.

The Combination Soft Starter is built to complement the ruggedness and reliability of WEG motors, providing a complete, simple, and cost effective AC motor starting and protection solution.

### Standard Features

- Rated for 300% for 30 seconds
- Rated for 450% with derating
- 5 - 175HP at 230V
- 10 - 350HP at 460V
- Wall mounted enclosures for up to 125HP @ 230V; 250HP@460V
- Floor Mounted enclosure for up to 150 - 175HP @ 230V, and 300 - 350HP @ 460V
- Soft Starter
- SSW07 from 17 to 412Amps (all models with integrated AC1 by-pass)
- Circuit Breaker with Through Door Disconnect
- Control Power Transformer
- Start/Stop Pushbuttons
- Run/Fault Pilot Lights
- SuperDrive G2 Compatible

*Note:  
SSW07 models do not include keypad*

### Optional Features

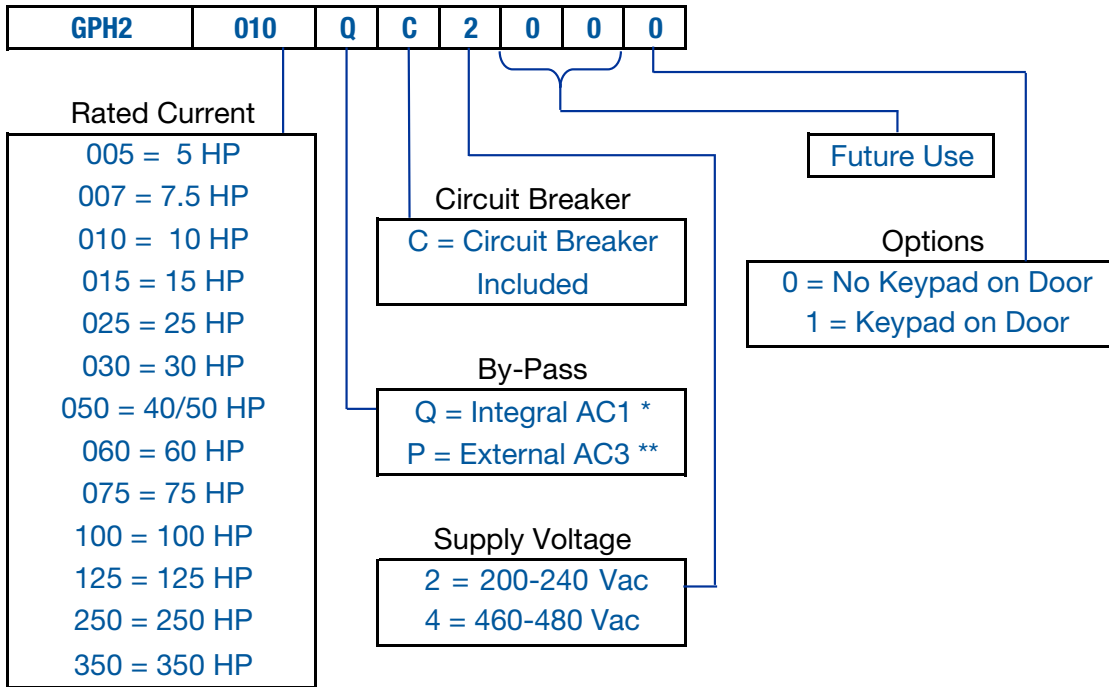
- AC3 by-pass contactor and DOL Selector Switch
- Door mounted keypad
- 575V AC Supply
- SUSE Service Entrance Rated



### Applications

- Centrifugal Pumps
- Screw Compressors
- Centrifugal Fans
- Wood Chipper
- Veneer Lathe
- Saw
- Conveyor

### GPH2 Catalog Number Sequence



\* Bypass Contactor is 'Run Rated' and is integral to the soft starter  
 \*\* Bypass Contactor is 'Full Rated' and mounted adjacent the soft starter inside the panel.  
 Table intended as reference only and not to create part numbers.

### NEMA 4 Enclosure (Standard Version - with Circuit Breaker, Integral AC1 By-Pass and no Keypad on Door)

| Motor Voltage | Motor HP <sup>1</sup>                              | Starter Amps <sup>2</sup>                          | Catalog Number       | Frame Size           | Approx. Weight <sup>4</sup> (lbs.) | List Price      | Multiplier New (Old) |          |
|---------------|--|--|----------------------|----------------------|------------------------------------|-----------------|----------------------|----------|
| 230 Vac       | <b>Input Power Supply: Three-Phase 200-240 Vac</b> |  |                      |                      |                                    |                 |                      |          |
|               | 5  | 17   | <b>GPH2005QC2000</b> | 1                    | 140                                | <b>\$3,650</b>  | E1G (E1)             |          |
|               | 7.5  | 24   | <b>GPH2007QC2000</b> | 1                    | 140                                | <b>\$3,750</b>  | E1G (E1)             |          |
|               | 10   | 30   | <b>GPH2010QC2000</b> | 1                    | 140                                | <b>\$3,900</b>  | E1G (E1)             |          |
|               | 15   | 45   | <b>GPH2015QC2000</b> | 2                    | 150                                | <b>\$4,300</b>  | E1G (E1)             |          |
|               | 25   | 61   | <b>GPH2025QC2000</b> | 2                    | 150                                | <b>\$4,800</b>  | E1G (E1)             |          |
|               | 30   | 85   | <b>GPH2030QC2000</b> | 2                    | 150                                | <b>\$5,800</b>  | E1G (E1)             |          |
|               | 50   | 130  | <b>GPH2050QC2000</b> | 3                    | 280                                | <b>\$6,990</b>  | E1G (E1)             |          |
|               | 60   | 171  | <b>GPH2060QC2000</b> | 3                    | 280                                | <b>\$7,500</b>  | E1G (E1)             |          |
|               | 75   | 200  | <b>GPH2075QC2000</b> | 3                    | 280                                | <b>\$8,450</b>  | E1G (E1)             |          |
|               | 100  | 255  | <b>GPH2100QC2000</b> | 4                    | 415                                | <b>\$10,700</b> | E1G (E1)             |          |
|               | 125  | 312  | <b>GPH2125QC2000</b> | 4                    | 415                                | <b>\$11,880</b> | E1G (E1)             |          |
|               | 150  | 365  | <b>GPH2150QC2000</b> | 5                    | 610                                | <b>\$12,700</b> | E1G (E1)             |          |
|               | 175  | 412  | <b>GPH2175QC2000</b> | 5                    | 610                                | <b>\$14,500</b> | E1G (E1)             |          |
|               | 460 Vac  | <b>Input Power Supply: Three-Phase 460-480 Vac</b> |                      |                      |                                    |                 |                      |          |
|               |  | 10   | 17                   | <b>GPH2010QC4000</b> | 1                                  | 140             | <b>\$3,650</b>       | E1G (E1) |
|               |  | 15   | 24                   | <b>GPH2015QC4000</b> | 1                                  | 140             | <b>\$3,750</b>       | E1G (E1) |
| 20            |  | 30   | <b>GPH2020QC4000</b> | 1                    | 140                                | <b>\$3,900</b>  | E1G (E1)             |          |
| 30            |  | 45   | <b>GPH2030QC4000</b> | 2                    | 150                                | <b>\$4,300</b>  | E1G (E1)             |          |
| 40 / 50       |  | 61   | <b>GPH2050QC4000</b> | 2                    | 150                                | <b>\$4,800</b>  | E1G (E1)             |          |
| 75            |  | 85   | <b>GPH2075QC4000</b> | 2                    | 150                                | <b>\$5,800</b>  | E1G (E1)             |          |
| 100           |  | 130  | <b>GPH2100QC4000</b> | 3                    | 280                                | <b>\$6,990</b>  | E1G (E1)             |          |
| 125           |  | 171  | <b>GPH2125QC4000</b> | 3                    | 280                                | <b>\$7,500</b>  | E1G (E1)             |          |
| 150           |  | 200  | <b>GPH2150QC4000</b> | 3                    | 280                                | <b>\$8,450</b>  | E1G (E1)             |          |
| 200           |  | 255  | <b>GPH2200QC4000</b> | 4                    | 415                                | <b>\$10,700</b> | E1G (E1)             |          |
| 250           |  | 312  | <b>GPH2250QC4000</b> | 4                    | 415                                | <b>\$11,880</b> | E1G (E1)             |          |
| 300           |  | 365  | <b>GPH2300QC4000</b> | 5                    | 610                                | <b>\$12,700</b> | E1G (E1)             |          |
| 350           |  | 412  | <b>GPH2350QC4000</b> | 5                    | 610                                | <b>\$14,500</b> | E1G (E1)             |          |

**Notes:**

- 1) "HP" rating based on FLA values from WEG W22, 2 and 4 pole, NEMA Premium motors.
- 2) Motor FLA may vary with speed and manufacturer. ALWAYS compare motor FLA to Nominal AMPS of the starter.
- 3) For other technical data please refer to WEG product manual.
- 4) Dimensions and weights are for estimating purposes only. Only use "AS BUILT" drawings for construction.

## GHP2

### NEMA 4 Enclosure (with Circuit Breaker, Integral AC1 By-Pass and Keypad on Door)

| Motor Voltage | Motor HP <sup>1</sup>                              | Starter Amps <sup>2</sup>                          | Catalog Number       | Frame Size | Approx. Weight <sup>4</sup> (lbs.) | List Price      | Multiplier New (Old) |
|---------------|--|--|----------------------|------------|------------------------------------|-----------------|----------------------|
| 230 Vac       | <b>Input Power Supply: Three-Phase 200-240 Vac</b> |  |                      |            |                                    |                 |                      |
|               | 5  | 17   | <b>GPH2005QC2001</b> | 1          | 140                                | <b>\$4,145</b>  | E1G (E1)             |
|               | 7.5  | 24   | <b>GPH2007QC2001</b> | 1          | 140                                | <b>\$4,245</b>  | E1G (E1)             |
|               | 10   | 30   | <b>GPH2010QC2001</b> | 1          | 140                                | <b>\$4,395</b>  | E1G (E1)             |
|               | 15   | 45   | <b>GPH2015QC2001</b> | 2          | 150                                | <b>\$4,795</b>  | E1G (E1)             |
|               | 25   | 61   | <b>GPH2025QC2001</b> | 2          | 150                                | <b>\$5,295</b>  | E1G (E1)             |
|               | 30   | 85   | <b>GPH2030QC2001</b> | 2          | 150                                | <b>\$6,295</b>  | E1G (E1)             |
|               | 50   | 130  | <b>GPH2050QC2001</b> | 3          | 280                                | <b>\$7,485</b>  | E1G (E1)             |
|               | 60   | 171  | <b>GPH2060QC2001</b> | 3          | 280                                | <b>\$7,995</b>  | E1G (E1)             |
|               | 75   | 200  | <b>GPH2075QC2001</b> | 3          | 280                                | <b>\$8,945</b>  | E1G (E1)             |
|               | 100  | 255  | <b>GPH2100QC2001</b> | 4          | 415                                | <b>\$11,195</b> | E1G (E1)             |
|               | 125  | 312  | <b>GPH2125QC2001</b> | 4          | 415                                | <b>\$12,375</b> | E1G (E1)             |
|               | 150  | 365  | <b>GPH2150QC2001</b> | 5          | 610                                | <b>\$13,195</b> | E1G (E1)             |
|               | 175  | 412  | <b>GPH2175QC2001</b> | 5          | 610                                | <b>\$14,995</b> | E1G (E1)             |
|               | 460 Vac  | <b>Input Power Supply: Three-Phase 460-480 Vac</b> |                      |            |                                    |                 |                      |
| 10            |  | 17   | <b>GPH2010QC4001</b> | 1          | 140                                | <b>\$4,145</b>  | E1G (E1)             |
| 15            |  | 24   | <b>GPH2015QC4001</b> | 1          | 140                                | <b>\$4,245</b>  | E1G (E1)             |
| 20            |  | 30   | <b>GPH2020QC4001</b> | 1          | 140                                | <b>\$4,395</b>  | E1G (E1)             |
| 30            |  | 45   | <b>GPH2030QC4001</b> | 2          | 150                                | <b>\$4,795</b>  | E1G (E1)             |
| 40 / 50       |  | 61   | <b>GPH2050QC4001</b> | 2          | 150                                | <b>\$5,295</b>  | E1G (E1)             |
| 75            |  | 85   | <b>GPH2075QC4001</b> | 2          | 150                                | <b>\$6,295</b>  | E1G (E1)             |
| 100           |  | 130  | <b>GPH2100QC4001</b> | 3          | 280                                | <b>\$7,485</b>  | E1G (E1)             |
| 125           |  | 171  | <b>GPH2125QC4001</b> | 3          | 280                                | <b>\$7,995</b>  | E1G (E1)             |
| 150           |  | 200  | <b>GPH2150QC4001</b> | 3          | 280                                | <b>\$8,945</b>  | E1G (E1)             |
| 200           |  | 255  | <b>GPH2200QC4001</b> | 4          | 415                                | <b>\$11,195</b> | E1G (E1)             |
| 250           |  | 312  | <b>GPH2250QC4001</b> | 4          | 415                                | <b>\$12,375</b> | E1G (E1)             |
| 300           |  | 365  | <b>GPH2300QC4001</b> | 5          | 610                                | <b>\$13,195</b> | E1G (E1)             |
| 350           |  | 412  | <b>GPH2350QC4001</b> | 5          | 610                                | <b>\$14,995</b> | E1G (E1)             |

Notes:

- 1) "HP" rating based on FLA values from WEG W22, 2 and 4 pole, NEMA Premium motors.
- 2) Motor FLA may vary with speed and manufacturer. ALWAYS compare motor FLA to Nominal AMPS of the starter.
- 3) For other technical data please refer to WEG product manual.
- 4) Dimensions and weights are for estimating purposes only. Only use "AS BUILT" drawings for construction.



### NEMA 4 Enclosure (with Circuit Breaker, External AC3 By-Pass and no Keypad on Door)

| Motor Voltage | Motor HP 1   | Starter Amps 2 | Catalog Number                | Frame Size | Approx. Weight 4 (lbs.) | List Price      | Multiplier New (Old) |
|---------------|--|----------------|-------------------------------|------------|-------------------------|-----------------|----------------------|
| 230 Vac       | <b>Input Power Supply: Three-Phase 200-240 Vac</b> |                |                               |            |                         |                 |                      |
|               | 5  | 17             | <a href="#">GPH2005PC2000</a> | 1          | 140                     | <b>\$3,900</b>  | E1G (E1)             |
|               | 7.5  | 24             | <a href="#">GPH2007PC2000</a> | 1          | 140                     | <b>\$4,032</b>  | E1G (E1)             |
|               | 10   | 30             | <a href="#">GPH2010PC2000</a> | 1          | 140                     | <b>\$4,243</b>  | E1G (E1)             |
|               | 15   | 45             | <a href="#">GPH2015PC2000</a> | 2          | 150                     | <b>\$4,865</b>  | E1G (E1)             |
|               | 25   | 61             | <a href="#">GPH2025PC2000</a> | 2          | 150                     | <b>\$5,412</b>  | E1G (E1)             |
|               | 30   | 85             | <a href="#">GPH2030PC2000</a> | 2          | 150                     | <b>\$6,585</b>  | E1G (E1)             |
|               | 50   | 130            | <a href="#">GPH2050PC2000</a> | 3          | 280                     | <b>\$8,260</b>  | E1G (E1)             |
|               | 60   | 171            | <a href="#">GPH2060PC2000</a> | 3          | 280                     | <b>\$9,013</b>  | E1G (E1)             |
|               | 75   | 200            | <a href="#">GPH2075PC2000</a> | 3          | 280                     | <b>\$10,350</b> | E1G (E1)             |
|               | 100  | 255            | <a href="#">GPH2100PC2000</a> | 4          | 415                     | <b>\$12,965</b> | E1G (E1)             |
|               | 125  | 312            | <a href="#">GPH2125PC2000</a> | 4          | 415                     | <b>\$14,847</b> | E1G (E1)             |
|               | 150  | 365            | <a href="#">GPH2150PC2000</a> | 5          | 610                     | <b>\$15,706</b> | E1G (E1)             |
|               | 175  | 412            | <a href="#">GPH2175PC2000</a> | 5          | 610                     | <b>\$21,075</b> | E1G (E1)             |
| 460 Vac       | <b>Input Power Supply: Three-Phase 460-480 Vac</b> |                |                               |            |                         |                 |                      |
|               | 10   | 17             | <a href="#">GPH2010PC4000</a> | 1          | 140                     | <b>\$3,900</b>  | E1G (E1)             |
|               | 15   | 24             | <a href="#">GPH2015PC4000</a> | 1          | 140                     | <b>\$4,032</b>  | E1G (E1)             |
|               | 20   | 30             | <a href="#">GPH2020PC4000</a> | 1          | 140                     | <b>\$4,243</b>  | E1G (E1)             |
|               | 30   | 45             | <a href="#">GPH2030PC4000</a> | 2          | 150                     | <b>\$4,865</b>  | E1G (E1)             |
|               | 40 / 50  | 61             | <a href="#">GPH2050PC4000</a> | 2          | 150                     | <b>\$5,412</b>  | E1G (E1)             |
|               | 75   | 85             | <a href="#">GPH2075PC4000</a> | 2          | 150                     | <b>\$6,585</b>  | E1G (E1)             |
|               | 100  | 130            | <a href="#">GPH2100PC4000</a> | 3          | 280                     | <b>\$8,260</b>  | E1G (E1)             |
|               | 125  | 171            | <a href="#">GPH2125PC4000</a> | 3          | 280                     | <b>\$9,013</b>  | E1G (E1)             |
|               | 150  | 200            | <a href="#">GPH2150PC4000</a> | 3          | 280                     | <b>\$10,350</b> | E1G (E1)             |
|               | 200  | 255            | <a href="#">GPH2200PC4000</a> | 4          | 415                     | <b>\$12,965</b> | E1G (E1)             |
|               | 250  | 312            | <a href="#">GPH2250PC4000</a> | 4          | 415                     | <b>\$14,847</b> | E1G (E1)             |
|               | 300  | 365            | <a href="#">GPH2300PC4000</a> | 5          | 610                     | <b>\$15,706</b> | E1G (E1)             |
|               | 350  | 412            | <a href="#">GPH2350PC4000</a> | 5          | 610                     | <b>\$21,075</b> | E1G (E1)             |

**Notes:**

- 1) "HP" rating based on FLA values from WEG W22, 2 and 4 pole, NEMA Premium motors.
- 2) Motor FLA may vary with speed and manufacturer. ALWAYS compare motor FLA to Nominal AMPS of the starter.
- 3) For other technical data please refer to WEG product manual.
- 4) Dimensions and weights are for estimating purposes only. Only use "AS BUILT" drawings for construction.

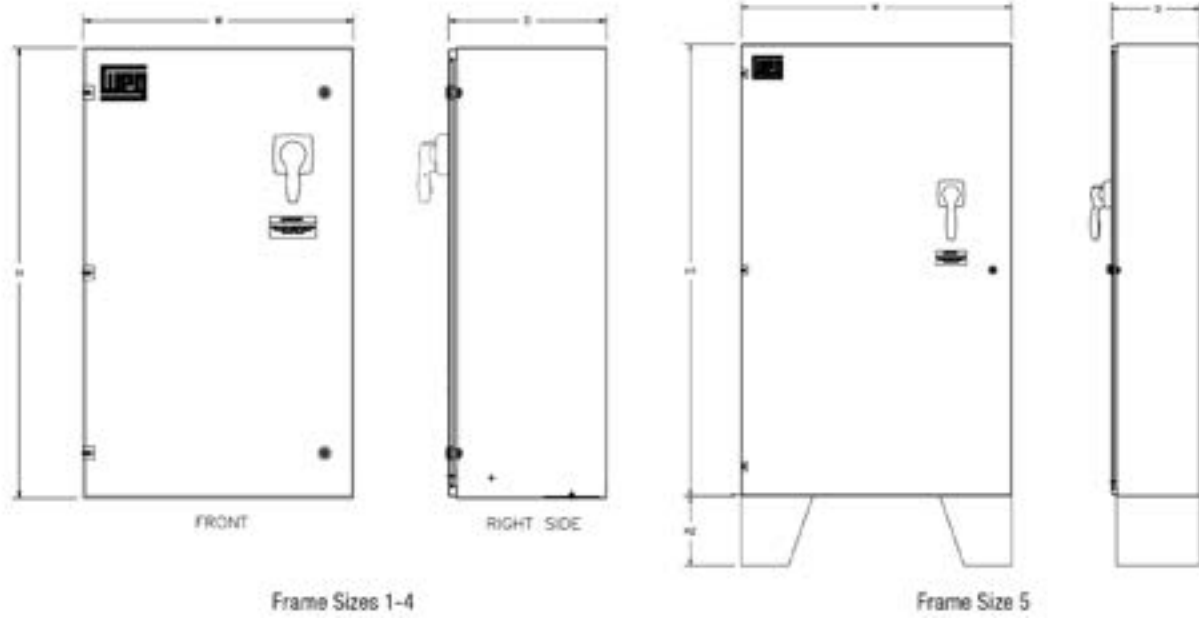
## GHP2

### NEMA 4 Enclosure (with Circuit Breaker, External AC3 By-Pass and Keypad on Door)

| Motor Voltage | Motor HP <sup>1</sup>                              | Starter Amps <sup>2</sup>                          | Catalog Number       | Frame Size | Approx. Weight <sup>4</sup> (lbs.) | List Price      | Multiplier New (Old) |
|---------------|--|--|----------------------|------------|------------------------------------|-----------------|----------------------|
| 230 Vac       | <b>Input Power Supply: Three-Phase 200-240 Vac</b> |  |                      |            |                                    |                 |                      |
|               | 5  | 17   | <b>GPH2005PC2001</b> | 1          | 140                                | <b>\$4,395</b>  | E1G (E1)             |
|               | 7.5  | 24   | <b>GPH2007PC2001</b> | 1          | 140                                | <b>\$4,527</b>  | E1G (E1)             |
|               | 10   | 30   | <b>GPH2010PC2001</b> | 1          | 140                                | <b>\$4,738</b>  | E1G (E1)             |
|               | 15   | 45   | <b>GPH2015PC2001</b> | 2          | 150                                | <b>\$5,360</b>  | E1G (E1)             |
|               | 25   | 61   | <b>GPH2025PC2001</b> | 2          | 150                                | <b>\$5,907</b>  | E1G (E1)             |
|               | 30   | 85   | <b>GPH2030PC2001</b> | 2          | 150                                | <b>\$7,080</b>  | E1G (E1)             |
|               | 50   | 130  | <b>GPH2050PC2001</b> | 3          | 280                                | <b>\$8,755</b>  | E1G (E1)             |
|               | 60   | 171  | <b>GPH2060PC2001</b> | 3          | 280                                | <b>\$9,508</b>  | E1G (E1)             |
|               | 75   | 200  | <b>GPH2075PC2001</b> | 3          | 280                                | <b>\$10,845</b> | E1G (E1)             |
|               | 100  | 255  | <b>GPH2100PC2001</b> | 4          | 415                                | <b>\$13,460</b> | E1G (E1)             |
|               | 125  | 312  | <b>GPH2125PC2001</b> | 4          | 415                                | <b>\$15,342</b> | E1G (E1)             |
|               | 150  | 365  | <b>GPH2150PC2001</b> | 5          | 610                                | <b>\$16,201</b> | E1G (E1)             |
|               | 175  | 412  | <b>GPH2175PC2001</b> | 5          | 610                                | <b>\$21,570</b> | E1G (E1)             |
|               | 460 Vac  | <b>Input Power Supply: Three-Phase 460-480 Vac</b> |                      |            |                                    |                 |                      |
| 10            |  | 17   | <b>GPH2010PC4001</b> | 1          | 140                                | <b>\$4,395</b>  | E1G (E1)             |
| 15            |  | 24   | <b>GPH2015PC4001</b> | 1          | 140                                | <b>\$4,527</b>  | E1G (E1)             |
| 20            |  | 30   | <b>GPH2020PC4001</b> | 1          | 140                                | <b>\$4,738</b>  | E1G (E1)             |
| 30            |  | 45   | <b>GPH2030PC4001</b> | 2          | 150                                | <b>\$5,360</b>  | E1G (E1)             |
| 40 / 50       |  | 61   | <b>GPH2050PC4001</b> | 2          | 150                                | <b>\$5,907</b>  | E1G (E1)             |
| 75            |  | 85   | <b>GPH2075PC4001</b> | 2          | 150                                | <b>\$7,080</b>  | E1G (E1)             |
| 100           |  | 130  | <b>GPH2100PC4001</b> | 3          | 280                                | <b>\$8,755</b>  | E1G (E1)             |
| 125           |  | 171  | <b>GPH2125PC4001</b> | 3          | 280                                | <b>\$9,508</b>  | E1G (E1)             |
| 150           |  | 200  | <b>GPH2150PC4001</b> | 3          | 280                                | <b>\$10,845</b> | E1G (E1)             |
| 200           |  | 255  | <b>GPH2200PC4001</b> | 4          | 415                                | <b>\$13,460</b> | E1G (E1)             |
| 250           |  | 312  | <b>GPH2250PC4001</b> | 4          | 415                                | <b>\$15,342</b> | E1G (E1)             |
| 300           |  | 365  | <b>GPH2300PC4001</b> | 5          | 610                                | <b>\$16,201</b> | E1G (E1)             |
| 350           |  | 412  | <b>GPH2350PC4001</b> | 5          | 610                                | <b>\$21,570</b> | E1G (E1)             |

Notes:

- 1) "HP" rating based on FLA values from WEG W22, 2 and 4 pole, NEMA Premium motors.
- 2) Motor FLA may vary with speed and manufacturer. ALWAYS compare motor FLA to Nominal AMPS of the starter.
- 3) For other technical data please refer to WEG product manual.
- 4) Dimensions and weights are for estimating purposes only. Only use "AS BUILT" drawings for construction.



### GPH Dimensions

| Frame | W  | D  | H/H1 | H2  | Approx. Weight (lbs) |
|-------|----|----|------|-----|----------------------|
| 1     | 16 | 8  | 24   | N/A | 140                  |
| 2     | 24 | 12 | 32   | N/A | 150                  |
| 3     | 24 | 14 | 40   | N/A | 280                  |
| 4     | 32 | 16 | 48   | N/A | 415                  |
| 5     | 36 | 16 | 60   | 12  | 610                  |

*Notes: H1 + H2 = overall height*

## APS9 (All Purpose Soft Starter Panel)

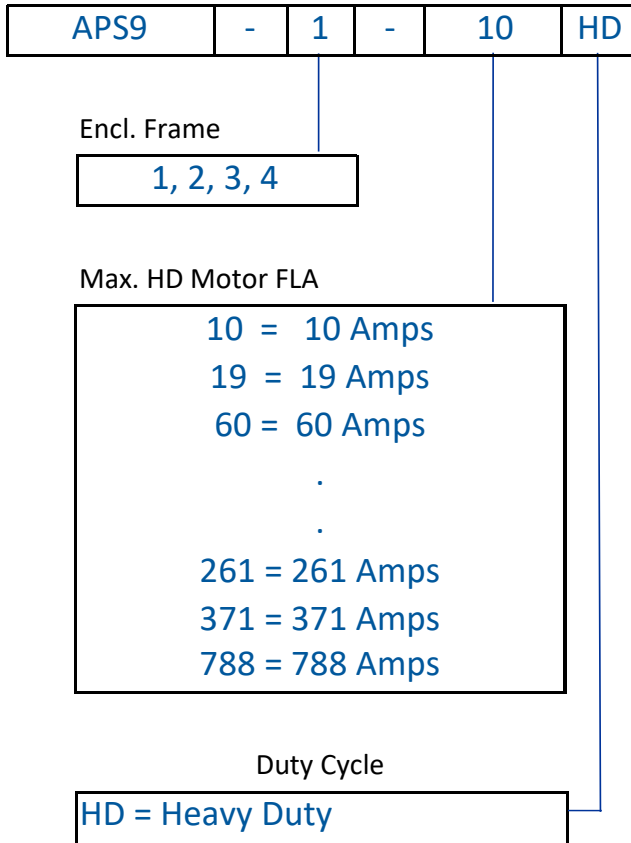
The WEG All Purpose Soft Starter (APS9) is designed to meet a wide range of soft starting application needs, having ratings for both the most demanding Heavy Duty (HD) applications and standard Normal Duty (ND) applications. The 1.15 service factor and 65kaic interrupting rating coupled with an outdoor friendly heavy duty, white, UL Type 12/3R/4 enclosure, make the APS9 suitable to install anywhere, indoor or outdoor, including wash down locations. The full start rated (AC3) bypass starter provides direct on-line starting in emergency situations. The full suite of door operators, and Bluetooth keypad provides all the options you will need to meet any control situation. From rock crushers to irrigation pumps, the APS9 is your one solution for all critical starting applications.



### Standard Features

- Built with WEG Next generation new SSW900 soft starter.
- Rated for 65KA SCCR as a standard.
- Input voltage: 208/230/460VAC. (460VAC as a standard. CPT wiring modification needed for 208 or 230VAC input voltage).
- Dual duty rated soft starter panel, unique concept in the market:
  - Normal Duty: 350% for 30s. 1.00 SF.
  - Heavy Duty: 450% for 30s. 1.15 SF.
- UL 3R/4/12 rated White heavy duty rated enclosure suitable for dusty, wet or outdoor applications.
- Narrow design requires less space, floor mounting of enclosure available with optional leg kit.
- Main 65KA rated Circuit Breaker with through the door rotary handle.
- Service Entrance Rated.
- Full HP rated AC3 emergency bypass contactor with Class-30 overload relay helps to start and run the motor across the line in case of soft starter failure.
  - “Soft Starter-off-Bypass” selector switch mounted inside an enclosure.
- Fused Control Power Transformer (208/230/460VAC - 120VAC).
- Electronic circuit board with wire harnesses to replace most of the control wiring; makes it easier and faster to replace the components.
- Termination for customer supplied remote Start/Stop & External interlock dry contacts.
- “Motor running” and “system fault” dry contacts available for customer use.
- Enclosure door mounted:
  - SSW900 Soft starter graphical keypad with RTC, “Help” Menu, USB port & built-in Bluetooth (Bluetooth allows easy programming & monitoring of SSW900 using Cell phoneapp “WEG WPS”)
  - “Hand-Off-Auto” Selector switch.
  - “Start” illuminated (Run light) PB, “Stop” PB, E-stop PB, “SSW Reset” Illuminated (System Fault light) PB.
  - Power On, Bypass Enabled & External interlock disabled Pilot lights.

### APS9 Catalog Number Sequence



- INDEX
- WARRANTY INFO
- CFW100 G2
- CFW300
- CFW500 G2
- CFW500 G1
- CFW700
- CFW11
- CFW11M
- PUMP GENIUS
- CFW501
- CFW701
- SSW05
- SSW07
- SSW900
- SSW7000
- EDP11
- GPH2
- APS9
- MFM

## APS9 - All Purpose Soft Starter Panel

### UL TYPE 12/3R/4 Enclosure

| HEAVY DUTY (H.D.) <sup>1</sup> - 1.15 SF<br>450% FLA for 30 Seconds |                       |        |        | NORMAL DUTY (N.D.) <sup>2</sup> - 1.00 SF<br>350% FLA for 30 Seconds |                       |        |        | CATALOG NUMBER            | ENCLOSURE FRAME | APPROX. WEIGHT (LB) | LIST PRICE | MULTIPLIER |
|---|-----------------------|--------|--------|--|-----------------------|--------|--------|---------------------------|-----------------|---------------------|------------|------------|
| H.D.-MAX. MOTOR FLA   | MOTOR HP <sup>3</sup> |        |        | N.D.-MAX. MOTOR FLA  | MOTOR HP <sup>3</sup> |        |        |                           |                 |                     |            |            |
|   | 460VAC                | 230VAC | 208VAC |  | 460VAC                | 230VAC | 208VAC |                           |                 |                     |            |            |
| 10  | 5                     | 3      | 2      | 10   | 5                     | 3      | 2      | APS9-1-10HD               | 1               | 150                 | \$10,775   | K2         |
| 19  | 10                    | 5      | 5      | 22   | 15                    | 7.5    | 5      | APS9-1-19HD               |                 | 150                 | \$10,950   | K2         |
| 31  | 20                    | 10     | 10     | 40   | 30                    | 10     | 10     | APS9-1-31HD               |                 | 155                 | \$11,325   | K2         |
| 43  | 30                    | 15     | 10     | 55   | 40                    | 20     | 15     | APS9-1-43HD               |                 | 155                 | \$11,495   | K2         |
| 60  | 40                    | 20     | 20     | 77   | 60                    | 25     | 25     | APS9-1-60HD               |                 | 155                 | \$11,950   | K2         |
| 77  | 60                    | 25     | 25     | 97   | 75                    | 30     | 30     | APS9-1-77HD               |                 | 155                 | \$12,250   | K2         |
| 96  | 75                    | 30     | 30     | 120  | 100                   | 40     | 40     | APS9-1-96HD               |                 | 155                 | \$13,575   | K2         |
| 125   | 100                   | 40     | 40     | 161  | 125                   | 60     | 50     | APS9-1-125HD              |                 | 175                 | \$14,250   | K2         |
| 156   | 125                   | 60     | 50     | 180  | 150                   | 60     | 60     | APS9-2-156HD              |                 | 2                   | 210        | \$15,475   |
| 185   | 150                   | 60     | 60     | 238  | 200                   | 75     | 75     | APS9-2-185HD              | 230             |                     | \$16,650   | K2         |
| 261   | 200                   | 100    | 75     | 300  | 250                   | 100    | 100    | APS9-3-261HD              | 3               | 275                 | \$20,500   | K2         |
| 302   | 250                   | 100    | 100    | 383  | 300                   | 150    | 125    | APS9-3-302HD              |                 | 310                 | \$22,875   | K2         |
| 371   | 300                   | 150    | 125    | 477  | 400                   | 150    | 150    | APS9-3-371HD <sup>4</sup> |                 | 360                 | \$27,075   | K2         |
| 481   | 400                   | 200    | 150    | 619  | 500                   | 250    | 200    | APS9-4-481HD              | 4               | 975                 | \$34,950   | K2         |
| 551   | 450                   | 200    | 200    | 708  | 600                   | 250    | -      | APS9-4-551HD              |                 | 975                 | \$38,975   | K2         |
| 616   | 500                   | 250    | -      | 792  | 700                   | 300    | -      | APS9-4-616HD              |                 | 1060                | \$43,650   | K2         |
| 788   | 700                   | 300    | -      | 960  | 800                   | 400    | -      | APS9-4-788HD              |                 | 1060                | \$55,150   | K2         |

**NOTES:**

- H.D. = Heavy Duty (450% for 30s), 1.15 S.F. Application Example Crusher, Conveyor, Shredder, Chipper, Ball/Hammer Mill etc.
- N.D. = Normal Duty (350% for 30s), 1.0 S.F.
- The above "HP" ratings are based on motor FLAs as listed in NEC Table 430-150. Please select the APS9 panel by comparing actual motor FLA with "Max. Motor FLA" for a given voltage & application type (H.D./N.D.).
- All APS9 panels are rated for 65KA SCCR except "APS9-3-371HD" which is rated for 18KA SCCR. This model will be upgraded to 65KA SCCR soon.

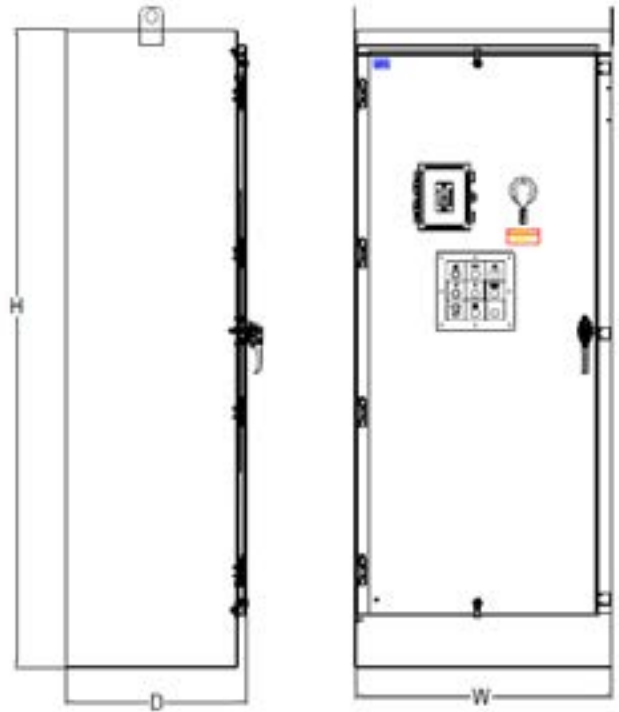
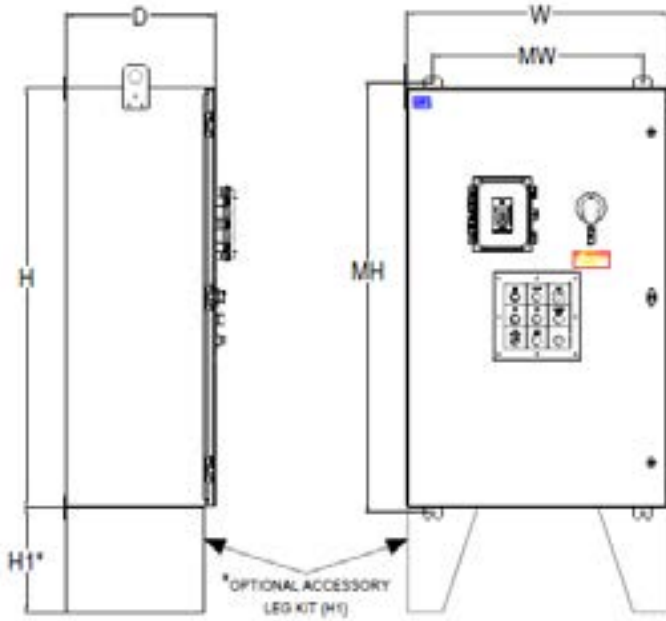
## ACCESSORIES

| Type                       | Catalog Number    | Description  | List Price | Multiplier |
|----------------------------|-------------------|--|------------|------------|
| Leg kit for floor mounting | WENCL-ESL16-06-00 | 6" Tall Leg kit for APS9 enclosure frame-1 or 3, supplied loose  | \$525.00   | K2         |
|                            | WENCL-ESL18-06-00 | 6" Tall Leg kit for APS9 enclosure frame-2, supplied loose       | \$550.00   | K2         |
|                            | WENCL-ESL16-12-00 | 12" Tall Leg kit for APS9 enclosure frame-1 or 3, supplied loose | \$690.00   | K2         |
|                            | WENCL-ESL18-12-00 | 12" Tall Leg kit for APS9 enclosure frame-2, supplied loose      | \$730.00   | K2         |

### APS9 ENCLOSURE FRAME SIZE:

Enclosure Frame: 1, 2 & 3

Enclosure Frame: 4



| ENCL. FRAME | W (in) | D (in) | H (in) | H1* (in) | MH (in) | MW (in) | MOUNTING  |
|-------------|--------|--------|--------|----------|---------|---------|---|
| 1           | 20     | 16     | 32     | 6/12     | 33.25   | 14      | Wall (Floor with optional 6" or 12" tall floor kit) |
| 2           | 24     | 18     | 37     | 6/12     | 38.25   | 18      |   |
| 3           | 30     | 16     | 48     | 6/12     | 49.25   | 24      |   |
| 4           | 33     | 22     | 82     | -        | -       | -       | Free Standing                                       |

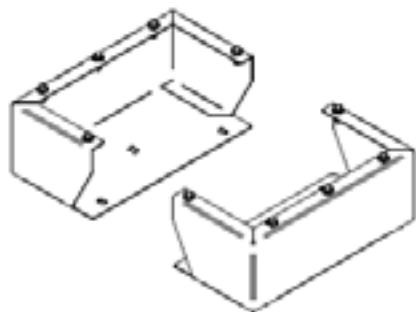
\* Optional Leg Kit Accessory 6" or 12" Tall

# Soft Starters

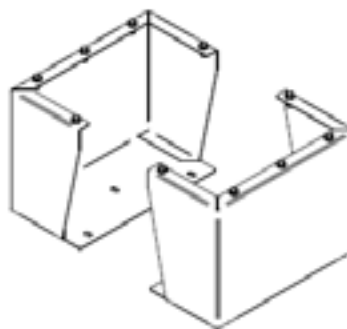


## APS9 - All Purpose Soft Starter Panel

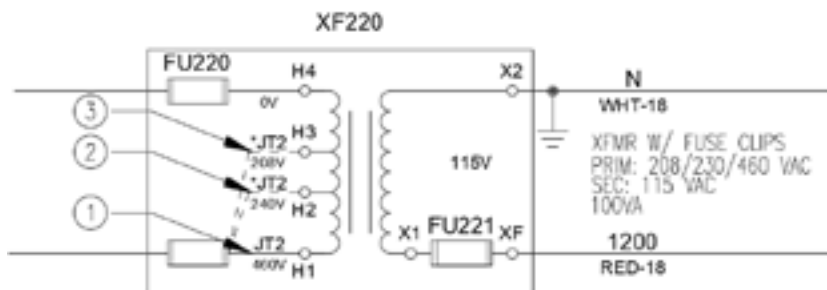
6" Tall Leg Kit



12" Tall Leg Kit



### CONVERSION FROM 3/460VAC TO 3/230VAC OR 3/208VAC SUPPLY VOLTAGE:



NOTE: CONTROL POWER TRANSFORMER IS CONFIGURED FROM FACTORY AS 460-480V INPUT SUPPLY VOLTAGE.

CUSTOMER MUST RECONFIGURE FOR 208V OR 230-240V INPUT SUPPLY VOLTAGE BY RETERMINATING XF220 JUMPER "JT2" ONTO COORESPONDING PIN.

\*SEE TRANSFORMER CONFIGURATION TABLE\*

| *TRANSFORMER CONFIGURATION TABLE* |                 |             | 200VA FUSE SIZE  |  |
|-----------------------------------|-----------------|-------------|------------------|--|
| XF220 INPUT SUPPLY VOLTAGE        | JT2* WIRING PIN | *FU220 (CC) | **FU221 (MIDGET) |  |
| ① 460 VAC (DEFAULT)               | H1              | 2.0 A       | 2.75 A           |  |
| ② 230 VAC                         | H2              |             |                  |  |
| ③ 208 VAC                         | H3              |             |                  |  |



# WEG Motion Fleet Management

## Condition Monitoring of the fleet

Developed to bring more practicality and agility in the operation, maintenance and management of industrial plants, the WEG Motion Fleet Management is the ideal solution to monitor and raise the availability of the industrial fleet. Based on “cloud computing” technology, asset monitoring can be followed at any time and from anywhere in the world.



## OPTIONAL ACCESSORIES - LEG KITS



# WEG Motion Fleet Management

With WEG Motion Fleet Management it is possible to know the operational status of electric motors, low and medium voltage variable speed drive and soft-starters, smart relay starting WEG(SRW), gearboxes, gearmotors, compressors, among other assets, which are applied in any type of industry or installation. Through periodic data collection and advanced data processing, both at the edge and in the cloud, valuable insights are generated. This way, it is possible to establish predictive maintenance plans, observing the operational condition of the fleet (condition-based maintenance). This approach reduces the number of unplanned stops, optimizes repair actions, and speeds up the decision-making process for the operation and maintenance team. The result is increased availability and reduced total cost of ownership (TCO) of the drive fleet.

## Main features of WEG MFM Solution

- Dedicated and robust hardware for data acquisition;
- Data processing at the edge and in the cloud;
- Periodic fleet reports;
- Creation and management of maintenance orders;
- Asset prioritization tool;
- Specialist Modules with Analytics and Artificial Intelligence for fault diagnosis;
- Exchange modules for data integration with other platforms (via Web Service REST).

## Advantages and Benefits of the WMFM Solution

- Monitoring of several assets and plants in a single environment;
- Ecosystem in constant development, both hardware and software;
- Fleet management view with reports and indicators;
- Ready-to-use solution, just register the WEG Scans in the application and use it;
- Customized layouts for navigation at various levels (geolocation, site, plant, device);
- Definition of favorite assets for easy tracking of their status; Daily notifications of assets in alert and/or critical state (via e-mail);
- Customization of tolerances to generate alerts and notifications;
- Enables maintenance management based on the operational condition of the assets;
- Dashboards with indicators, graphics, and history of measured data;
- Screens for user and subscription management;
- Flexible solution available to service providers;
- Operational cost reduction (TCO, Total Cost of Ownership);
- Multi-language application.



## WEG Motion Fleet Management SCAN, GATEWAY & SUBSCRIPTIONS

| TYPE                                   | CATALOG #                     | DESCRIPTION   | LIST PRICE     | MULTIPLIER |
|--|-------------------------------|---|----------------|------------|
| Sensor                                 | <b>WMSC-1-MFM-M</b>           | Motor Scan Sensor for Hazardous Area with 1 year of Management Subscription for MFM | <b>\$450</b>   | E4         |
| Gateway                                | <b>MOTOR-SCAN GATEWAY</b>     | Motor Scan Gateway  | <b>\$2,165</b> | E4         |
| Subscription - Management <sup>1</sup> | <b>WMF-MGMT-1-MOTOR-ME</b>    | WEG Motion Fleet Management Module subscription for Motor Scan - 1 Yr               | <b>\$340</b>   | E4         |
|  | <b>WMF-MGMT-2-MOTOR-ME</b>    | WEG Motion Fleet Management Module subscription for Motor Scan - 2 Yr               | <b>\$655</b>   | E4         |
| Subscription - Specialist <sup>1</sup> | <b>WMF-SPEC-1-MOTOR-ME</b>    | WEG Motion Fleet Specialist Module subscription for Motor Scan - 1 Yr (Per Sensor)  | <b>\$340</b>   | E4         |
|  | <b>WMF-SPEC-2-MOTOR-ME</b>    | WEG Motion Fleet Specialist Module subscription for Motor Scan - 2 Yr (Per Sensor)  | <b>\$655</b>   | E4         |
| Subscription - Exchange <sup>1</sup>   | <b>WMF-EXCH-BASIC-1-ME</b>    | Basic Exchange Module subscription for MFM - 1 yr, 10,000 calls / Month             | <b>\$1,625</b> | E4         |
|  | <b>WMF-EXCH-BASIC-2-ME</b>    | Basic Exchange Module subscription for MFM - 2 yr, 10,000 calls / Month             | <b>\$3,145</b> | E4         |
|  | <b>WMF-EXCH-STANDARD-1-ME</b> | Standard Exchange Module subscription for MFM - 1 yr, 50,000 calls / Month          | <b>\$2,975</b> | E4         |
|  | <b>WMF-EXCH-STANDARD-2-ME</b> | Standard Exchange Module subscription for MFM - 2 yr, 50,000 calls / Month          | <b>\$5,765</b> | E4         |
|  | <b>WMF-EXCH-PLUS-1-ME</b>     | Exchange Plus Module subscription for MFM - 1 yr, 100,000 calls / Month             | <b>\$4,460</b> | E4         |
|  | <b>WMF-EXCH-PLUS-2-ME</b>     | Exchange Plus Module subscription for MFM - 2 yr, 100,000 calls / Month             | <b>\$8,650</b> | E4         |

Notes:

1) Please contact WEG to purchase the subscription.

CFW10 IP20 Enclosure → Replace with → CFW100 IP20 Enclosure

| Motor Voltage       | Motor HP <sup>1</sup>                    | Drive Amps <sup>2</sup> | CFW10 Catalog Number | Braking Transistor | Drive Amps <sup>2</sup>    | CFW100 Catalog Number          | Braking Transistor | List Price | Multiplier New (Old) |  |
|---------------------|--|-------------------------|----------------------|--------------------|----------------------------|--------------------------------|--------------------|------------|----------------------|--|
| 230 Vac Three Phase | Input Power Supply: Single-Phase 230 Vac |                         |                      |                    |                            |                                |                    |            |                      |  |
|                     | 1/4                                      | 1.6                     | CFW100016SDZ         | No                 | 1.6                        | CFW100A01P6S220G2              | No                 | \$302      | V1U (V1)             |  |
|                     | 1/2                                      | 2.6                     | CFW100026SDZ         | No                 | 2.6                        | CFW100B02P6S220G2              | No                 | \$346      | V1U (V1)             |  |
|                     | 1  | 4.0                     | CFW100040SDZ         | No                 | 4.2                        | CFW100C04P2S220G2              | No                 | \$396      | V1U (V1)             |  |
|                     | 2  | 7.3                     | CFW100073SDZ         | Yes                | See CFW300 Cross Reference |                                |                    |            |                      |  |
|                     | 3  | 10.0                    | CFW100100SDZ         | Yes                | See CFW300 Cross Reference |                                |                    |            |                      |  |
|                     | 1/4                                      | 1.6                     | CFW100016SDPLZ       | No                 | 1.6                        | CFW100C04P2S220G2 <sup>3</sup> | No                 | \$302      | V1U (V1)             |  |
|                     | 1/2                                      | 2.6                     | CFW100026SDPLZ       | No                 | 2.6                        | CFW100B02P6S220G2 <sup>3</sup> | No                 | \$346      | V1U (V1)             |  |
|                     | 1  | 4.0                     | CFW100040SDPLZ       | No                 | 4.2                        | CFW100C04P2S220G2 <sup>3</sup> | No                 | \$396      | V1U (V1)             |  |
|                     | 2  | 7.3                     | CFW100073SDPLZ       | Yes                | See CFW300 Cross Reference |                                |                    |            |                      |  |
|                     | 3  | 10.0                    | CFW100100SDPLZ       | Yes                | See CFW300 Cross Reference |                                |                    |            |                      |  |

Notes:  
 1) "HP" rating based on "average FLA values". Use as a guide only.  
 2) Motor FLA may vary with speed and manufacturer. ALWAYS compare motor FLA to Nominal AMPS of drive.  
 3) CFW100 has an optional potentiometer available.  
 For other technical data please refer to WEG product manual."

CFW10 IP20 Enclosure → Replace with → CFW300 IP20 Enclosure

| Motor Voltage       | Motor HP <sup>1</sup>                    | Drive Amps <sup>2</sup> | CFW10 Catalog Number | Braking Transistor | Drive Amps <sup>2</sup> | CFW500 Catalog Number          | Braking Transistor | List Price | Multiplier New (Old) |  |
|---------------------|--|-------------------------|----------------------|--------------------|-------------------------|--------------------------------|--------------------|------------|----------------------|--|
| 230 Vac Three Phase | Input Power Supply: Single-Phase 120 Vac |                         |                      |                    |                         |                                |                    |            |                      |  |
|                     | 1/4                                      | 1.6                     | CFW100016SAZ         | No                 | 1.6                     | CFW300A01P6S1NB20              | No                 | \$361      | V1M (V1)             |  |
|                     | 1/2                                      | 2.6                     | CFW100026SAZ         | No                 | 2.6                     | CFW300A02P6S1NB20              | No                 | \$394      | V1M (V1)             |  |
|                     | 1  | 4.0                     | CFW100040SAZ         | No                 | 4.2                     | CFW300A04P2S1NB20              | No                 | \$420      | V1M (V1)             |  |
|                     | 1/4                                      | 1.6                     | CFW100016SAPLZ       | No                 | 1.6                     | CFW300A01P6S1NB20 <sup>3</sup> | No                 | \$361      | V1M (V1)             |  |
|                     | 1/2                                      | 2.6                     | CFW100026SAPLZ       | No                 | 2.6                     | CFW300A02P6S1NB20 <sup>3</sup> | No                 | \$394      | V1M (V1)             |  |
|                     | 1  | 4.0                     | CFW100040SAPLZ       | No                 | 4.2                     | CFW300A04P2S1NB20 <sup>3</sup> | No                 | \$420      | V1M (V1)             |  |
|                     | Input Power Supply: Single-Phase 230 Vac |                         |                      |                    |                         |                                |                    |            |                      |  |
|                     | 1/4                                      | 1.6                     | CFW100016SDZ         | No                 | 1.6                     | CFW300A01P6S2NB20              | No                 | \$323      | V1M (V1)             |  |
|                     | 1/2                                      | 2.6                     | CFW100026SDZ         | No                 | 2.6                     | CFW300A02P6S2NB20              | No                 | \$348      | V1M (V1)             |  |
|                     | 1  | 4.0                     | CFW100040SDZ         | No                 | 4.2                     | CFW300A04P2S2NB20              | No                 | \$371      | V1M (V1)             |  |
|                     | 2  | 7.3                     | CFW100073SDZ         | Yes                | 7.3                     | CFW300A07P3S2NB20              | No                 | \$543      | V1M (V1)             |  |
|                     | 3  | 10.0                    | CFW100100SDZ         | Yes                | 10.0                    | CFW300B10P0B2DB20              | Yes                | \$648      | V1M (V1)             |  |
|                     | 1/4                                      | 1.6                     | CFW100016SDPLZ       | No                 | 1.6                     | CFW300A01P6S2NB20 <sup>3</sup> | No                 | \$323      | V1M (V1)             |  |
|                     | 1/2                                      | 2.6                     | CFW100026SDPLZ       | No                 | 2.6                     | CFW300A02P6S2NB20 <sup>3</sup> | No                 | \$348      | V1M (V1)             |  |
|                     | 1  | 4.0                     | CFW100040SDPLZ       | No                 | 4.2                     | CFW300A04P2S2NB20 <sup>3</sup> | No                 | \$371      | V1M (V1)             |  |
|                     | 2  | 7.3                     | CFW100073SDPLZ       | Yes                | 7.3                     | CFW300A07P3S2NB20 <sup>3</sup> | No                 | \$543      | V1M (V1)             |  |
|                     | 3  | 10.0                    | CFW100100SDPLZ       | Yes                | 10.0                    | CFW300B10P0B2DB20 <sup>3</sup> | Yes                | \$648      | V1M (V1)             |  |

Notes:  
 1) "HP" rating based on "average FLA values". Use as a guide only.  
 2) Motor FLA may vary with speed and manufacturer. ALWAYS compare motor FLA to Nominal AMPS of drive.  
 3) CFW300 has keypad speed adjustment in lieu of CFW10 with Potentiometer.  
 For other technical data please refer to WEG product manual."

INDEX  
 WARRANTY INFO  
 CFW100 G2  
 CFW300  
 CFW500 G2  
 CFW500 G1  
 CFW700  
 CFW11  
 CFW11M  
 PUMP GENIUS  
 CFW501  
 CFW701  
 SSW05  
 SSW07  
 SSW900  
 SSW7000  
 EDP11  
 GPH2  
 APS9  
 MFM



CFW08 Plus



Replace with



CFW500

(For NEMA1, Please use CFW500 NEMA1 kit with VFD)

NEMA 1 Enclosure

| Motor Voltage        | Motor HP <sup>1</sup>                   | Drive Amps <sup>2</sup> | CFW08 Catalog Number | Braking Transistor |    | Drive Amps <sup>2</sup> | CFW500 Catalog Number | Braking Transistor | List Price | Multiplier New (Old) |  |
|----------------------|---|-------------------------|----------------------|--------------------|----|-------------------------|-----------------------|--------------------|------------|----------------------|--|
| 230 Vac              | Input Power Supply: Three-Phase 230 Vac |                         |                      |                    |    |                         |                       |                    |            |                      |  |
|                      | 1/4 - 1/3                               | 1.6                     | CFW080016BDN1A1Z     | No                 |    | 1.6                     | CFW500A01P6B2NB20G2   | No                 | \$456      | V1G (V1)             |  |
|                      | 1/2                                     | 2.6                     | CFW080026BDN1A1Z     | No                 |    | 2.6                     | CFW500A02P6B2NB20G2   | No                 | \$467      | V1G (V1)             |  |
|                      | 1                                       | 4.0                     | CFW080040BDN1A1Z     | No                 |    | 4.3                     | CFW500A04P3B2NB20G2   | No                 | \$506      | V1G (V1)             |  |
|                      | 2                                       | 7.0                     | CFW080070TDN1A1Z     | No                 |    | 7.0                     | CFW500A07P0T2NB20G2   | No                 | \$628      | V1G (V1)             |  |
|                      | 2                                       | 7.3                     | CFW080073BDN1A1Z     | Yes                |    | 7.3                     | CFW500B07P3B2DB20G2   | Yes                | \$678      | V1G (V1)             |  |
|                      | 3                                       | 10                      | CFW080100BDN1A1Z     | Yes                |    | 10                      | CFW500B10P0B2DB20G2   | Yes                | \$789      | V1G (V1)             |  |
|                      | 5                                       | 16                      | CFW080160TDN1A1Z     | Yes                |    | 16                      | CFW500B16P0T2DB20G2   | Yes                | \$842      | V1G (V1)             |  |
|                      | 7 1/2                                   | 22                      | CFW080220TDN1A1Z     | Yes                |    | 24                      | CFW500C24P0T2DB20G2   | Yes                | \$1,427    | V1G (V1)             |  |
|                      | 10                                      | 28                      | CFW080280TDN1A1Z     | Yes                |    | 28                      | CFW500D28P0T2DB20G2   | Yes                | \$1,777    | V1G (V1)             |  |
|                      |   |                         |                      |                    | 33 | CFW500D33P0T2DB20G2     | Yes                   | \$2,146            | V1G (V1)   |                      |  |
|                      |   |                         |                      |                    | 47 | CFW500D47P0T2DB20G2     | Yes                   | \$2,910            | V1G (V1)   |                      |  |
| 460 Vac              | Input Power Supply: Three-Phase 460 Vac |                         |                      |                    |    |                         |                       |                    |            |                      |  |
|                      | 1/4 - 1/3                               | 1.0                     | CFW080010TGN1A1Z     | No                 |    | 1.0                     | CFW500A01P0T4NB20G2   | No                 | \$582      | V1G (V1)             |  |
|                      | 3/4                                     | 1.6                     | CFW080016TGN1A1Z     | No                 |    | 1.6                     | CFW500A01P6T4NB20G2   | No                 | \$604      | V1G (V1)             |  |
|                      | 1                                       | 2.6                     | CFW080026TGN1A1Z     | No                 |    | 2.6                     | CFW500A02P6T4NB20G2   | No                 | \$649      | V1G (V1)             |  |
|                      | 1                                       | 2.7                     | CFW080027TGN1A1Z     | Yes                |    | 2.6                     | CFW500B02P6T4DB20G2   | Yes                | \$708      | V1G (V1)             |  |
|                      | 2                                       | 4.0                     | CFW080040TGN1A1Z     | No                 |    | 4.3                     | CFW500A04P3T4NB20G2   | No                 | \$799      | V1G (V1)             |  |
|                      | 2                                       | 4.3                     | CFW080043TGN1A1Z     | Yes                |    | 4.3                     | CFW500B04P3T4DB20G2   | Yes                | \$892      | V1G (V1)             |  |
|                      | 3                                       | 6.5                     | CFW080065TGN1A1Z     | Yes                |    | 6.5                     | CFW500B06P5T4DB20G2   | Yes                | \$1,067    | V1G (V1)             |  |
|                      | 5                                       | 10                      | CFW080100TGN1A1Z     | Yes                |    | 10                      | CFW500B10P0T4DB20G2   | Yes                | \$1,207    | V1G (V1)             |  |
|                      | 7 1/2                                   | 13                      | CFW080130TGN1A1Z     | Yes                |    | 14                      | CFW500C14P0T4DB20G2   | Yes                | \$1,495    | V1G (V1)             |  |
|                      | 10                                      | 16                      | CFW080160TGN1A1Z     | Yes                |    | 16                      | CFW500C16P0T4DB20G2   | Yes                | \$1,684    | V1G (V1)             |  |
|                      | 15                                      | 24                      | CFW080240TGN1A1Z     | Yes                |    | 24                      | CFW500D24P0T4DB20G2   | Yes                | \$2,229    | V1G (V1)             |  |
|                      | 20                                      | 30                      | CFW080300TGN1A1Z     | Yes                |    | 31                      | CFW500D31P0T4DB20G2   | Yes                | \$2,783    | V1G (V1)             |  |
| 575 Vac <sup>4</sup> | Input Power Supply: Three-Phase 575 Vac |                         |                      |                    |    |                         |                       |                    |            |                      |  |
|                      | 1                                       | 1.7                     | CFW080017THN1A1Z     | Yes                |    | 1.7                     | CFW500C01P7T5DB20     | Yes                | \$910      | V1G (V1)             |  |
|                      | 2                                       | 3.0                     | CFW080030THN1A1Z     | Yes                |    | 3.0                     | CFW500C03P0T5DB20     | Yes                | \$954      | V1G (V1)             |  |
|                      | 3                                       | 4.3                     | CFW080043THN1A1Z     | Yes                |    | 4.3                     | CFW500C04P3T5DB20     | Yes                | \$1,073    | V1G (V1)             |  |
|                      | 5                                       | 7.0                     | CFW080070THN1A1Z     | Yes                |    | 7.0                     | CFW500C07P0T5DB20     | Yes                | \$1,276    | V1G (V1)             |  |
|                      | 7 1/2                                   | 10                      | CFW080100THN1A1Z     | Yes                |    | 10                      | CFW500C10P0T5DB20     | Yes                | \$1,621    | V1G (V1)             |  |
| 10                   | 12                                      | CFW080120THN1A1Z        | Yes                  |                    | 12 | CFW500C12P0T5DB20       | Yes                   | \$1,813            | V1G (V1)   |                      |  |

Notes:

- 1) "HP" rating based on "average FLA values". Use as a guide only.
  - 2) Motor FLA may vary with speed and manufacturer. ALWAYS compare motor FLA to Nominal AMPS of drive.
  - 3) CFW08 Plus NEMA1 drives are non-stocked items. Consult WEG for availability.
  - 4) All 575 Vac drives are non-stocked items. Consult WEG for availability.
- For other technical data please refer to WEG product manual.

CFW09 NEMA 1 Enclosure Replace with CFW11 (NEMA 1) Enclosure

| Motor Voltage  | ND / VT <sup>1</sup>   |                         | HD / CT <sup>1</sup>  |                         | CFW09 Catalog Number | Braking Transistor |     | ND / VT <sup>1</sup>    | HD / CT <sup>1</sup>    | CFW11 Catalog Number | Braking Transistor | List Price | Multiplier New (Old) |  |
|--|--|-------------------------|-----------------------|-------------------------|----------------------|--------------------|-----|-------------------------|-------------------------|----------------------|--------------------|------------|----------------------|--|
|  | Motor HP <sup>2</sup>  | Drive Amps <sup>3</sup> | Motor HP <sup>2</sup> | Drive Amps <sup>3</sup> |                      |                    |     | Drive Amps <sup>3</sup> | Drive Amps <sup>3</sup> |                      |                    |            |                      |  |
| <b>Input Power Supply: Single or Three-Phase 200-240 Vac with Dynamic Braking Transistor</b> |  |                         |                       |                         |                      |                    |     |                         |                         |                      |                    |            |                      |  |
| 230 Vac  | 1 1/2  | 6.0                     | 1 1/2                 | 6.0                     | CFW-090006TDZ        | Yes                |     | 6.0                     | 5.0                     | CFW110006B20N1Z      | Yes                | \$1,644    | V1P (V1)             |  |
|  | 2  | 7.0                     | 2                     | 7.0                     | CFW-090007TDZ        | Yes                |     | 7.0                     | 7.0                     | CFW110007B20N1Z      | Yes                | \$1,716    | V1P (V1)             |  |
|  | <b>Input Power Supply: Three-Phase 200-240 Vac with Dynamic Braking Transistor</b> |                         |                       |                         |                      |                    |     |                         |                         |                      |                    |            |                      |  |
|  | 3  | 10                      | 3                     | 10                      | CFW-090010TDZ        | Yes                |     | 13                      | 11                      | CFW110013T20N1Z      | Yes                | \$1,728    | V1P (V1)             |  |
|  | 3  | 13                      | 3                     | 13                      | CFW-090013TDZ        | Yes                |     | 16                      | 13                      | CFW110016T20N1Z      | Yes                | \$1,850    | V1P (V1)             |  |
|  | 5  | 16                      | 5                     | 16                      | CFW-090016TDZ        | Yes                |     | 24                      | 20                      | CFW110024T20N1Z      | Yes                | \$2,424    | V1P (V1)             |  |
|  | 7 1/2  | 24                      | 7 1/2                 | 24                      | CFW-090024TDZ        | Yes                |     | 28                      | 24                      | CFW110028T20N1Z      | Yes                | \$2,641    | V1P (V1)             |  |
|  | 10   | 28                      | 10                    | 28                      | CFW-090028TDZ        | Yes                |     | 33.5                    | 28                      | CFW110033T20N1Z      | Yes                | \$3,190    | V1P (V1)             |  |
|  | 15   | 45                      | 15                    | 45                      | CFW-090045TDZ        | Yes                |     | 54                      | 45                      | CFW110054T20N1Z      | Yes                | \$4,400    | V1P (V1)             |  |
|  | 25   | 68                      | 20                    | 54                      | CFW-090054TDDBZ      | Yes                |     | 70                      | 56                      | CFW110070T20N1Z      | Yes                | \$6,600    | V1P (V1)             |  |
|  | 30   | 86                      | 25                    | 70                      | CFW-090070TDDBZ      | Yes                |     | 86                      | 70                      | CFW110086T20N1Z      | Yes                | \$7,222    | V1P (V1)             |  |
|  | 40   | 105                     | 30                    | 86                      | CFW-090086TDDBZ      | Yes                |     | 105                     | 86                      | CFW110105T20N1Z      | Yes                | \$9,000    | V1P (V1)             |  |
| 50   | 130  | 40                      | 105                   | CFW-090105TDDBZ         | Yes                  |                    | 142 | 115                     | CFW110142T20N1DBZ       | Yes                  | \$12,720           | V1P (V1)   |                      |  |
| 50   | 150  | 50                      | 130                   | CFW-090130TDDBZ         | Yes                  |                    | 180 | 142                     | CFW110180T20N1DBZ       | Yes                  | \$17,555           | V1P (V1)   |                      |  |
| 60   | 174  | 50                      | 142                   | CFW-090142TDDBZ         | Yes                  |                    | 211 | 180                     | CFW110211T20N1DBZ       | Yes                  | \$24,380           | V1P (V1)   |                      |  |
| <b>Input Power Supply: Three-Phase 200-240 Vac without Dynamic Braking Transistor</b>        |  |                         |                       |                         |                      |                    |     |                         |                         |                      |                    |            |                      |  |
| 25   | 68   | 20                      | 54                    | CFW-090054TDZ           | No                   |                    | 70  | 56                      | CFW110070T20N1Z         | Yes                  | \$6,600            | V1P (V1)   |                      |  |
| 30   | 86   | 25                      | 70                    | CFW-090070TDZ           | No                   |                    | 86  | 70                      | CFW110086T20N1Z         | Yes                  | \$7,222            | V1P (V1)   |                      |  |
| 40   | 105  | 30                      | 86                    | CFW-090086TDZ           | No                   |                    | 105 | 86                      | CFW110105T20N1Z         | Yes                  | \$9,000            | V1P (V1)   |                      |  |
| 50   | 130  | 40                      | 105                   | CFW-090105TDZ           | No                   |                    | 142 | 115                     | CFW110142T20N1Z         | No                   | \$11,649           | V1P (V1)   |                      |  |
| 50   | 150  | 50                      | 130                   | CFW-090130TDZ           | No                   |                    | 180 | 142                     | CFW110180T20N1Z         | No                   | \$15,125           | V1P (V1)   |                      |  |
| 60   | 174  | 50                      | 142                   | CFW-090142TDZ           | No                   |                    | 180 | 142                     | CFW110180T20N1Z         | No                   | \$15,125           | V1P (V1)   |                      |  |
| 60   | 180  | 60                      | 180                   | CFW-090180TDZ           | No                   |                    | 211 | 180                     | CFW110211T20N1Z         | No                   | \$21,560           | V1P (V1)   |                      |  |
| 75   | 240  | 75                      | 240                   | CFW-090240TDZ           | No                   |                    |     |                         |                         |                      |                    |            |                      |  |
| <b>Input Power Supply: Three-Phase 380-480 Vac with Dynamic Braking Transistor</b>           |  |                         |                       |                         |                      |                    |     |                         |                         |                      |                    |            |                      |  |
| 460 Vac  | 2  | 3.6                     | 1.5                   | 3.6                     | CFW-090003TGZ        | Yes                |     | 3.6                     | 3.6                     | CFW110003T40N1Z      | Yes                | \$1,616    | V1P (V1)             |  |
|  | 2  | 4.0                     | 2                     | 4.0                     | CFW-090004TGZ        | Yes                |     | 5.0                     | 5.0                     | CFW110005T40N1Z      | Yes                | \$1,650    | V1P (V1)             |  |
|  | 3  | 5.5                     | 3                     | 5.5                     | CFW-090005TGZ        | Yes                |     | 7.0                     | 5.5                     | CFW110007T40N1Z      | Yes                | \$1,712    | V1P (V1)             |  |
|  | 5  | 9.0                     | 5                     | 9.0                     | CFW-090009TGZ        | Yes                |     | 10                      | 10                      | CFW110010T40N1Z      | Yes                | \$1,969    | V1P (V1)             |  |
|  | 7.5  | 13                      | 7.5                   | 13                      | CFW-090013TGZ        | Yes                |     | 17                      | 13.5                    | CFW110017T40N1Z      | Yes                | \$2,530    | V1P (V1)             |  |
|  | 10   | 16                      | 10                    | 16                      | CFW-090016TGZ        | Yes                |     | 24                      | 19                      | CFW110024T40N1Z      | Yes                | \$2,992    | V1P (V1)             |  |
|  | 15   | 24                      | 15                    | 24                      | CFW-090024TGZ        | Yes                |     | 31                      | 25                      | CFW110031T40N1Z      | Yes                | \$3,873    | V1P (V1)             |  |
|  | 25   | 36                      | 20                    | 30                      | CFW-090030TGZ        | Yes                |     | 38                      | 33                      | CFW110038T40N1Z      | Yes                | \$4,300    | V1P (V1)             |  |
|  | 30   | 45                      | 25                    | 38                      | CFW-090038TGDBZ      | Yes                |     | 45                      | 38                      | CFW110045T40N1Z      | Yes                | \$5,400    | V1P (V1)             |  |
|  | 40   | 54                      | 30                    | 45                      | CFW-090045TGDBZ      | Yes                |     | 58.5                    | 47                      | CFW110058T40N1Z      | Yes                | \$6,633    | V1P (V1)             |  |
|  | 50   | 70                      | 40                    | 60                      | CFW-090060TGDBZ      | Yes                |     | 70.5                    | 61                      | CFW110070T40N1Z      | Yes                | \$7,500    | V1P (V1)             |  |
|  | 60   | 86                      | 50                    | 70                      | CFW-090070TGDBZ      | Yes                |     | 88                      | 73                      | CFW110088T40N1Z      | Yes                | \$8,900    | V1P (V1)             |  |
|  | 75   | 105                     | 60                    | 86                      | CFW-090086TGDBZ      | Yes                |     | 105                     | 88                      | CFW110105T40N1DBZ    | Yes                | \$13,600   | V1P (V1)             |  |
|  | 100  | 130                     | 75                    | 105                     | CFW-090105TGDBZ      | Yes                |     | 142                     | 115                     | CFW110142T40N1DBZ    | Yes                | \$15,900   | V1P (V1)             |  |
| 150  | 174  | 100                     | 142                   | CFW-090142TGDBZ         | Yes                  |                    | 180 | 142                     | CFW110180T40N1DBZ       | Yes                  | \$23,115           | V1P (V1)   |                      |  |

continued on next page

INDEX  
WARRANTY INFO  
CFW100  
CFW300  
CFW500  
CFW500  
CFW500  
CFW700  
CFW11  
CFW11M  
PUMP GENIUS  
CFW501  
CFW701  
SSW05  
SSW07  
SSW900  
SSW7000  
EDP11  
GPH2  
APB9  
MFM

**CFW09** → **Replace with** → **CFW11 (NEMA 1) Enclosure**  
**NEMA 1 Enclosure**

|         | ND / VT <sup>1</sup>  |   | HD / CT <sup>1</sup>  |                         | CFW09 Catalog Number | Braking Transistor |     | ND / VT <sup>1</sup>    | HD / CT <sup>1</sup>    | CFW11 Catalog Number      | Braking Transistor | List Price | Multiplier New (Old) |          |
|---------|---|---|-----------------------|-------------------------|----------------------|--------------------|-----|-------------------------|-------------------------|---------------------------|--------------------|------------|----------------------|----------|
|         | Motor HP <sup>2</sup>   | Drive Amps <sup>3</sup>   | Motor HP <sup>2</sup> | Drive Amps <sup>3</sup> |                      |                    |     | Drive Amps <sup>3</sup> | Drive Amps <sup>3</sup> |                           |                    |            |                      |          |
| 460 Vac | <b>Input Power Supply: Three-Phase 380-480 Vac without Dynamic Braking Transistor</b> |   |                       |                         |                      |                    |     |                         |                         |                           |                    |            |                      |          |
|         | 30  | 45  | 25                    | 30                      | CFW-090038TGZ        | No                 |     | 38                      | 33                      | CFW110038T40N1Z           | Yes                | \$4,300    | V1P (V1)             |          |
|         | 40  | 54  | 30                    | 40                      | CFW-090045TGZ        | No                 |     | 45                      | 38                      | CFW110045T40N1Z           | Yes                | \$5,400    | V1P (V1)             |          |
|         | 50  | 70  | 40                    | 50                      | CFW-090060TGZ        | No                 |     | 70.5                    | 61                      | CFW110070T40N1Z           | Yes                | \$7,500    | V1P (V1)             |          |
|         | 60  | 86  | 50                    | 60                      | CFW-090070TGZ        | No                 |     | 70.5                    | 61                      | CFW110070T40N1Z           | Yes                | \$7,500    | V1P (V1)             |          |
|         | 75  | 105   | 60                    | 75                      | CFW-090086TGZ        | No                 |     | 105                     | 88                      | CFW110105T40N1Z           | No                 | \$10,650   | V1P (V1)             |          |
|         | 100   | 130   | 75                    | 100                     | CFW-090105TGZ        | No                 |     | 142                     | 115                     | CFW110142T40N1Z           | No                 | \$12,500   | V1P (V1)             |          |
|         | 125   | 174   | 100                   | 125                     | CFW-090142TGZ        | No                 |     | 180                     | 142                     | CFW110180T40N1Z           | No                 | \$17,500   | V1P (V1)             |          |
|         | 150   | 180   | 150                   | 180                     | CFW-090180TGZ        | No                 |     | 211                     | 180                     | CFW110211T40N1Z           | No                 | \$21,000   | V1P (V1)             |          |
|         | 150   | 211   | 150                   | 211                     | CFW-090211TGZ        | No                 |     | 312                     | 242                     | CFW110312T4S <sup>5</sup> | No                 | \$29,366   | V1P (V1)             |          |
|         | 200   | 240   | 200                   | 240                     | CFW-090240TGZ        | No                 |     | 312                     | 242                     | CFW110312T4S <sup>5</sup> | No                 | \$29,366   | V1P (V1)             |          |
|         | 250   | 312   | 250                   | 312                     | CFW-090312TGZ        | No                 |     | 370                     | 312                     | CFW110370T4S <sup>5</sup> | No                 | \$31,314   | V1P (V1)             |          |
|         | 300   | 361   | 300                   | 361                     | CFW-090361TGZ        | No                 |     | 477                     | 370                     | CFW110477T4S <sup>5</sup> | No                 | \$41,027   | V1P (V1)             |          |
|         | 350   | 450   | 350                   | 450                     | CFW-090450TGZ        | No                 |     | 515                     | 477                     | CFW110515T4S <sup>5</sup> | No                 | \$43,970   | V1P (V1)             |          |
|         | 400   | 515   | 400                   | 515                     | CFW-090515TGZ        | No                 |     | 601                     | 515                     | CFW110601T4S <sup>5</sup> | No                 | \$50,088   | V1P (V1)             |          |
|         | 500   | 600   | 500                   | 600                     | CFW-090600TGZ        | No                 |     | 720                     | 560                     | CFW110720T4S <sup>5</sup> | No                 | \$59,330   | V1P (V1)             |          |
|         | 575 Vac <sup>4</sup>  | <b>Input Power Supply: Three-Phase 500-600 Vac with Dynamic Braking Transistor</b>    |                       |                         |                      |                    |     |                         |                         |                           |                    |            |                      |          |
| 3       |   | 4.2   | 2                     | 2.9                     | CFW-090002THZ        | Yes                |     | 4.2                     | 3.8                     | CFW110004T50N1NFZ         | Yes                | \$2,360    | V1P (V1)             |          |
| 5       |   | 7.0   | 3                     | 4.2                     | CFW-090004THZ        | Yes                |     | 7.0                     | 6.5                     | CFW110007T50N1NFZ         | Yes                | \$2,516    | V1P (V1)             |          |
| 7 1/2   |   | 10  | 5                     | 7.0                     | CFW-090007THZ        | Yes                |     | 10                      | 9.0                     | CFW110010T50N1NFZ         | Yes                | \$2,850    | V1P (V1)             |          |
| 10      |   | 12  | 7 1/2                 | 10                      | CFW-090010THZ        | Yes                |     | 12                      | 10                      | CFW110012T50N1NFZ         | Yes                | \$2,998    | V1P (V1)             |          |
| 15      |   | 14  | 10                    | 12                      | CFW-090012THZ        | Yes                |     | 17                      | 17                      | CFW110017T50N1NFZ         | Yes                | \$3,145    | V1P (V1)             |          |
| 15      |   | 14  | 15                    | 14                      | CFW-090014THZ        | Yes                |     | 17                      | 17                      | CFW110017T50N1NFZ         | Yes                | \$3,145    | V1P (V1)             |          |
| 25      |   | 27  | 20                    | 32                      | CFW-090022THDBZ      | Yes                |     | 27                      | 22                      | CFW110027T50N1NFZ         | Yes                | \$5,023    | V1P (V1)             |          |
| 30      |   | 32  | 25                    | 27                      | CFW-090027THDBZ      | Yes                |     | 32                      | 27                      | CFW110032T50N1NFZ         | Yes                | \$5,803    | V1P (V1)             |          |
| 30      |   | 32  | 30                    | 32                      | CFW-090032THDBZ      | Yes                |     | 44                      | 36                      | CFW110044T50N1NFZ         | Yes                | \$7,175    | V1P (V1)             |          |
| 50      |   | 53  | 40                    | 44                      | CFW-090044THDBZ      | Yes                |     | 53                      | 44                      | CFW110053T60N1YZ          | Yes                | \$12,166   | V1P (V1)             |          |
| 60      |   | 63  | 50                    | 53                      | CFW-090053THDBZ      | Yes                |     | 63                      | 53                      | CFW110063T60N1YZ          | Yes                | \$12,932   | V1P (V1)             |          |
| 75      |   | 79  | 60                    | 63                      | CFW-090063THDBZ      | Yes                |     | 80                      | 66                      | CFW110080T60N1YZ          | Yes                | \$13,979   | V1P (V1)             |          |
| 100     |   | 99  | 75                    | 79                      | CFW-090079THDBZ      | Yes                |     | 107                     | 90                      | CFW110107T60N1YZ          | Yes                | \$23,951   | V1P (V1)             |          |
|         |   | <b>Input Power Supply: Three-Phase 500-600 Vac without Dynamic Braking Transistor</b> |                       |                         |                      |                    |     |                         |                         |                           |                    |            |                      |          |
|         |   | 25  | 27                    | 20                      | 22                   | CFW-090022THZ      | No  |                         | 27                      | 22                        | CFW110027T50N1NFZ  | No         | \$5,023              | V1P (V1) |
|         |   | 30  | 32                    | 25                      | 27                   | CFW-090027THZ      | No  |                         | 32                      | 27                        | CFW110032T50N1NFZ  | No         | \$5,803              | V1P (V1) |
|         |   | 30  | 32                    | 30                      | 32                   | CFW-090032THZ      | No  |                         | 44                      | 36                        | CFW110044T50N1NFZ  | No         | \$7,175              | V1P (V1) |
|         |   | 50  | 53                    | 40                      | 44                   | CFW-090044THZ      | No  |                         | 53                      | 44                        | CFW110053T60N1NBYZ | No         | \$9,887              | V1P (V1) |
|         |   | 60  | 63                    | 50                      | 53                   | CFW-090053THZ      | No  |                         | 63                      | 53                        | CFW110063T60N1NBYZ | No         | \$10,510             | V1P (V1) |
|         | 75  | 79  | 60                    | 63                      | CFW-090063THZ        | No                 |     | 80                      | 66                      | CFW110080T60N1NBYZ        | No                 | \$11,358   | V1P (V1)             |          |
|         | 100   | 99  | 75                    | 79                      | CFW-090079THZ        | No                 |     | 107                     | 90                      | CFW110107T60N1NBYZ        | No                 | \$19,458   | V1P (V1)             |          |
|         | 150   | 147   | 100                   | 107                     | CFW-090107THZ        | No                 |     | 150                     | 122                     | CFW110150T60N1NBYZ        | No                 | \$30,080   | V1P (V1)             |          |
|         | 200   | 196   | 150                   | 147                     | CFW-090147THZ        | No                 |     | 216                     | 180                     | CFW110216T60YZ            | No                 | \$40,206   | V1P (V1)             |          |
|         | 200   | 211   | 200                   | 211                     | CFW-090211THZ        | No                 |     | 289                     | 240                     | CFW110289T60YZ            | No                 | \$48,913   | V1P (V1)             |          |
|         | 300   | 315   | 250                   | 247                     | CFW-090247THZ        | No                 |     | 315                     | 289                     | CFW110315T60YZ            | No                 | \$54,936   | V1P (V1)             |          |
|         | 350   | 343   | 300                   | 315                     | CFW-090315THZ        | No                 |     | 365                     | 315                     | CFW110365T60YZ            | No                 | \$71,061   | V1P (V1)             |          |
| 400     | 418   | 350   | 343                   | CFW-090343THZ           | No                   |                    | 435 | 357                     | CFW110435T60YZ          | No                        | \$76,125           | V1P (V1)   |                      |          |
| 500     | 472   | 400   | 418                   | CFW-090418THZ           | No                   |                    | 584 | 504                     | CFW110584T60YZ          | No                        | Contact Factory    |            |                      |          |
| 600     | 555   | 500   | 472                   | CFW-090472THZ           | No                   |                    | 584 | 504                     | CFW110584T60YZ          | No                        | Contact Factory    |            |                      |          |

Notes:

- 1) "HP" rating based on "average FLA values". Use as a guide only.
- 2) Motor FLA may vary with speed and manufacturer. ALWAYS compare motor FLA to Nominal AMPS of drive.

- 3) CFW08 Plus NEMA1 drives are non-stocked items. Consult WEG for availability.
- 4) All 575 Vac drives are non-stocked items. Consult WEG for availability. For other technical data please refer to WEG product manual.

CFW08  
NEMA4X Enclosure

Replace with

CFW500-G2  
IP66/NEMA4X Enclosure



| HP   | AMPS | CFW08-N4X CATALOG NUMBER |                         | CFW500-IP66/N4X W/O DISCONNECT |            | CFW500-IP66/N4X WITH DISCONNECT |            | MULTIPLIER<br>New (Old) |  |
|--|------|--------------------------|-------------------------|--------------------------------|------------|---------------------------------|------------|-------------------------|--|
|  |      |                          |                         | CATALOG NUMBER                 | LIST PRICE | CATALOG NUMBER                  | LIST PRICE |                         |  |
| <b>Input Power Supply: 1 OR 3/200-240VAC</b> |      |                          |                         |                                |            |                                 |            |                         |  |
| 1/3  | 1.6  | -                        | -                       | CFW500A01P6B2DB66G2            | \$775      | CFW500A01P6B2DB66DSG2           | \$895      | V1W (V1)                |  |
| 3/4  | 2.6  | -                        | -                       | CFW500A02P6B2DB66G2            | \$800      | CFW500A02P6B2DB66DSG2           | \$920      | V1W (V1)                |  |
| 1-1/2  | 4.3  | -                        | -                       | CFW500A04P3B2DB66G2            | \$850      | CFW500A04P3B2DB66DSG2           | \$980      | V1W (V1)                |  |
| 2  | 7.3  | CFW080073BDN4A1Z         | USCFW080073B2024E0N4A1Z | CFW500A07P3B2DB66G2            | \$1,015    | CFW500A07P3B2DB66DSG2           | \$1,170    | V1W (V1)                |  |
| 3  | 10   | CFW080100BDN4A1Z         | USCFW080100B2024E0N4A1Z | CFW500A10P0B2DB66G2            | \$1,095    | CFW500A10P0B2DB66DSG2           | \$1,255    | V1W (V1)                |  |
| <b>Input Power Supply: 3/200-240VAC</b>      |      |                          |                         |                                |            |                                 |            |                         |  |
| 5  | 16   | CFW080160TDN4A1Z         | USCFW080160T2024E0N4A1Z | CFW500A16P0T2DB66G2            | \$1,350    | CFW500A16P0T2DB66DSG2           | \$1,555    | V1W (V1)                |  |
| 7-1/2  | 22   | CFW080220TDN4A1Z         | USCFW080220T2024E0N4A1Z | CFW500B24P0T2DB66G2            | \$1,950    | CFW500B24P0T2DB66DSG2           | \$2,245    | V1W (V1)                |  |
| 10   | 28   | CFW080280TDN4A1Z         | USCFW080280T2024E0N4A1Z | CFW500B28P0T2DB66G2            | \$2,275    | CFW500B28P0T2DB66DSG2           | \$2,620    | V1W (V1)                |  |
| 10   | 33   | CFW080330TDN4A1Z         | USCFW080330T2024E0N4A1Z | CFW500B33P0T2DB66G2            | \$2,675    | CFW500B33P0T2DB66DSG2           | \$3,080    | V1W (V1)                |  |
| <b>Input Power Supply: 3/380-480VAC</b>      |      |                          |                         |                                |            |                                 |            |                         |  |
| 1/2  | 1    | -                        | -                       | CFW500A01P0T4DB66G2            | \$950      | CFW500A01P0T4DB66DSG2           | \$1,095    | V1W (V1)                |  |
| 1  | 1.6  | -                        | -                       | CFW500A01P6T4DB66G2            | \$975      | CFW500A01P6T4DB66DSG2           | \$1,125    | V1W (V1)                |  |
| 2  | 2.7  | CFW080027TGN4A1Z         | USCFW080027T3848E0N4A1Z | CFW500A02P6T4DB66G2            | \$990      | CFW500A02P6T4DB66DSG2           | \$1,140    | V1W (V1)                |  |
| 3  | 4.3  | CFW080043TGN4A1Z         | USCFW080043T3848E0N4A1Z | CFW500A04P3T4DB66G2            | \$1,175    | CFW500A04P3T4DB66DSG2           | \$1,350    | V1W (V1)                |  |
| 5  | 6.5  | CFW080065TGN4A1Z         | USCFW080065T3848E0N4A1Z | CFW500A06P5T4DB66G2            | \$1,400    | CFW500A06P5T4DB66DSG2           | \$1,610    | V1W (V1)                |  |
| 7-1/2  | 10   | CFW080100TGN4A1Z         | USCFW080100T3848E0N4A1Z | CFW500A10P0T4DB66G2            | \$1,650    | CFW500A10P0T4DB66DSG2           | \$1,900    | V1W (V1)                |  |
| 10   | 14   | CFW080130TGN4A1Z         | USCFW080130T3848E0N4A1Z | CFW500B14P0T4DB66G2            | \$2,050    | CFW500B14P0T4DB66DSG2           | \$2,360    | V1W (V1)                |  |
| 10   | 16   | CFW080160TGN4A1Z         | USCFW080160T3848E0N4A1Z | CFW500B16P0T4DB66G2            | \$2,275    | CFW500B16P0T4DB66DSG2           | \$2,620    | V1W (V1)                |  |
| 15   | 24   | CFW080240TGN4A1Z         | USCFW080240T3848E0N4A1Z | CFW500B24P0T4DB66G2            | \$3,025    | CFW500B24P0T4DB66DSG2           | \$3,480    | V1W (V1)                |  |
| 25   | 30   | CFW080300TGN4A1Z         | USCFW080300T3848E0N4A1Z | CFW500B31P0T4DB66G2            | \$3,650    | CFW500B31P0T4DB66DSG2           | \$4,200    | V1W (V1)                |  |
| <b>Input Power Supply: 3/500-600VAC</b>      |      |                          |                         |                                |            |                                 |            |                         |  |
| 1-1/2  | 1.7  | CFW080017THN4A1Z         | USCFW080017T5060E0N4A1Z | CFW500B01P7T5DB66              | \$1,590    | CFW500B01P7T5DB66DS             | \$1,830    | V1W (V1)                |  |
| 3  | 3    | CFW080030THN4A1Z         | USCFW080030T5060E0N4A1Z | CFW500B03P0T5DB66              | \$1,670    | CFW500B03P0T5DB66DS             | \$1,925    | V1W (V1)                |  |
| 3  | 4.3  | CFW080043THN4A1Z         | USCFW080043T5060E0N4A1Z | CFW500B04P3T5DB66              | \$1,890    | CFW500B04P3T5DB66DS             | \$2,175    | V1W (V1)                |  |
| 7-1/2  | 7    | CFW080070THN4A1Z         | USCFW080070T5060E0N4A1Z | CFW500B07P0T5DB66              | \$2,115    | CFW500B07P0T5DB66DS             | \$2,435    | V1W (V1)                |  |
| 10   | 10   | CFW080100THN4A1Z         | USCFW080100T5060E0N4A1Z | CFW500B10P0T5DB66              | \$2,330    | CFW500B10P0T5DB66DS             | \$2,680    | V1W (V1)                |  |
| 10   | 12   | CFW080120THN4A1Z         | USCFW080120T5060E0N4A1Z | CFW500B12P0T5DB66              | \$2,615    | CFW500B12P0T5DB66DS             | \$3,005    | V1W (V1)                |  |



CFW700  
IP20 ENCLOSURE

Replace With

CFW500-G2 (IP20) OR CFW11  
(NEMA1) ENCLOSURE

| Motor Voltage  | ND/VT <sup>1</sup>   |                         | HD/CT <sup>1</sup>    |                         | CFW700-IP20 CATALOG NUMBER <sup>4</sup> | CFW500-G2 (IP20)                 |            |                      | CFW11 (NEMA1) <sup>5</sup> |            |                      |  |
|--|--|-------------------------|-----------------------|-------------------------|---|----------------------------------|------------|----------------------|----------------------------|------------|----------------------|--|
|  | Motor HP <sup>2</sup>  | Drive Amps <sup>3</sup> | Motor HP <sup>2</sup> | Drive Amps <sup>3</sup> |   | CATALOG NUMBER                   | LIST PRICE | MULTIPLIER New (Old) | CATALOG NUMBER             | LIST PRICE | MULTIPLIER New (Old) |  |
| 3/230VAC   | <b>Input Power Supply: 1 OR 3/200-240VAC with Dynamic Braking Transistor</b> |                         |                       |                         |   |                                  |            |                      |                            |            |                      |  |
|  | 1 1/2  | 6                       | 1 1/2                 | 5                       | CFW700A06POB2DB20                       | CFW500B07P3B2DB20G2              | \$678      | V1G (V1)             | CFW110006B20N1Z            | \$1,644    | V1P (V1)             |  |
|  | 2  | 7                       | 2                     | 7                       | CFW700A07POB2DB20                       | CFW500B07P3B2DB20G2              | \$678      | V1G (V1)             | CFW110007B20N1Z            | \$1,716    | V1P (V1)             |  |
|  | <b>Input Power Supply: 1/200-240VAC with Dynamic Braking Transistor</b>      |                         |                       |                         |   |                                  |            |                      |                            |            |                      |  |
|  | 3  | 10                      | 3                     | 10                      | CFW700A10POS2DB20                       | CFW500B10P0B2DB20G2              | \$789      | V1G (V1)             | CFW110010S20N1Z            | \$1,812    | V1P (V1)             |  |
|  | <b>Input Power Supply: 3/200-240VAC with Dynamic Braking Transistor</b>      |                         |                       |                         |   |                                  |            |                      |                            |            |                      |  |
|  | 2  | 7.0                     | 1 1/2                 | 5.5                     | CFW700A07P0T2DB20                       | CFW500A07P0T2NB20G2              | \$628      | V1G (V1)             | CFW110007T20N1Z            | \$1,620    | V1P (V1)             |  |
|  | 3  | 10                      | 2                     | 8.0                     | CFW700A10P0T2DB20                       | CFW500A09P6T2NB20G2              | \$773      | V1G (V1)             | CFW110010T20N1Z            | \$1,692    | V1P (V1)             |  |
|  | 5  | 13                      | 3                     | 11                      | CFW700A13P0T2DB20                       | CFW500B16P0T2DB20G2              | \$842      | V1G (V1)             | CFW110013T20N1Z            | \$1,728    | V1P (V1)             |  |
|  | 5  | 16                      | 5                     | 13                      | CFW700A16P0T2DB20                       | CFW500B16P0T2DB20G2              | \$842      | V1G (V1)             | CFW110016T20N1Z            | \$1,850    | V1P (V1)             |  |
|  | 7 1/2  | 24                      | 7 1/2                 | 20                      | CFW700B24P0T2DB20                       | CFW500C24P0T2DB20G2              | \$1,427    | V1G (V1)             | CFW110024T20N1Z            | \$2,424    | V1P (V1)             |  |
|  | 10   | 28                      | 10                    | 24                      | CFW700B28P0T2DB20                       | CFW500D28P0T2DB20G2              | \$1,777    | V1G (V1)             | CFW110028T20N1Z            | \$2,641    | V1P (V1)             |  |
|  | 10   | 34                      | 10                    | 28                      | CFW700B33P5T2DB20                       | CFW500D33P0T2DB20G2              | \$2,146    | V1G (V1)             | CFW110033T20N1Z            | \$3,190    | V1P (V1)             |  |
|  | 15   | 45                      | 15                    | 36                      | CFW700C45P0T2DB20                       | CFW500D47P0T2DB20G2              | \$2,910    | V1G (V1)             | CFW110045T20N1Z            | \$3,641    | V1P (V1)             |  |
|  | 20   | 54                      | 20                    | 45                      | CFW700C54P0T2DB20                       | CFW500E56P0T2DB20G2              | \$3,380    | V1G (V1)             | CFW110054T20N1Z            | \$4,400    | V1P (V1)             |  |
|  | 25   | 70                      | 20                    | 56                      | CFW700C70P0T2DB20                       | CFW500F77P0T2DB20G2              | \$4,150    | V1G (V1)             | CFW110070T20N1Z            | \$6,600    | V1P (V1)             |  |
|  | 30   | 86                      | 25                    | 70                      | CFW700D86P0T2DBN1                       | CFW500F88P0T2DB20G2              | \$5,200    | V1G (V1)             | CFW110086T20N1Z            | \$7,222    | V1P (V1)             |  |
|  | 40   | 105                     | 30                    | 86                      | CFW700D105T2DBN1                        | CFW500F105T2DB20G2               | \$7,050    | V1G (V1)             | CFW110105T20N1Z            | \$9,000    | V1P (V1)             |  |
|  | 50   | 142                     | 40                    | 115                     | CFW700E142T2DB20C3                      | CFW500G145T2DB20G2               | \$9,095    | V1G (V1)             | CFW110142T20N1DBZ          | \$12,720   | V1P (V1)             |  |
| 60   | 180  | 50                      | 142                   | CFW700E180T2DB20C3      | CFW500G180T2DB20G2                      | \$10,965                         | V1G (V1)   | CFW110180T20N1DBZ    | \$17,555                   | V1P (V1)   |                      |  |
| 75   | 211  | 60                      | 180                   | CFW700E211T2DB20C3      | CFW500G211T2DB20G2                      | \$14,445                         | V1G (V1)   | CFW110211T20N1DBZ    | \$24,380                   | V1P (V1)   |                      |  |
| <b>Input Power Supply: 3/200-240VAC without Dynamic Braking Transistor</b> |  |                         |                       |                         |   |                                  |            |                      |                            |            |                      |  |
| 50   | 142  | 40                      | 115                   | CFW700E142T2NB20C3      | CFW500G145T2NB20G2                      | \$8,500                          | V1G (V1)   | CFW110142T20N1Z      | \$11,649                   | V1P (V1)   |                      |  |
| 60   | 180  | 50                      | 142                   | CFW700E180T2NB20C3      | CFW500G180T2NB20G2                      | \$10,250                         | V1G (V1)   | CFW110180T20N1Z      | \$15,125                   | V1P (V1)   |                      |  |
| 75   | 211  | 60                      | 180                   | CFW700E211T2NB20C3      | CFW500G211T2NB20G2                      | \$13,500                         | V1G (V1)   | CFW110211T20N1Z      | \$21,560                   | V1P (V1)   |                      |  |
| 3/460VAC   | <b>Input Power Supply: 3/380-480VAC with Dynamic Braking Transistor</b>      |                         |                       |                         |   |                                  |            |                      |                            |            |                      |  |
|  | 2  | 3.6                     | 2                     | 3.6                     | CFW700A03P6T4DB20                       | CFW500B04P3T4DB20G2              | \$892      | V1G (V1)             | CFW110003T40N1Z            | \$1,616    | V1P (V1)             |  |
|  | 3  | 5                       | 3                     | 5                       | CFW700A05P0T4DB20                       | CFW500B06P5T4DB20G2              | \$1,067    | V1G (V1)             | CFW110005T40N1Z            | \$1,650    | V1P (V1)             |  |
|  | 5  | 7                       | 3                     | 5.5                     | CFW700A07P0T4DB20                       | CFW500B10P0T4DB20G2              | \$1,207    | V1G (V1)             | CFW110007T40N1Z            | \$1,712    | V1P (V1)             |  |
|  | 7 1/2  | 10                      | 5                     | 10                      | CFW700A10P0T4DB20                       | CFW500B10P0T4DB20G2              | \$1,207    | V1G (V1)             | CFW110010T40N1Z            | \$1,969    | V1P (V1)             |  |
|  | 10   | 13.5                    | 7 1/2                 | 11                      | CFW700A13P5T4DB20                       | CFW500C14P0T4DB20G2              | \$1,495    | V1G (V1)             | CFW110013T40N1Z            | \$2,068    | V1P (V1)             |  |
|  | 10   | 17                      | 10                    | 13.5                    | CFW700B17P0T4DB20                       | CFW500C16P0T4DB20G2              | \$1,684    | V1G (V1)             | CFW110017T40N1Z            | \$2,530    | V1P (V1)             |  |
|  | 15   | 24                      | 10                    | 19                      | CFW700B24P0T4DB20                       | CFW500D24P0T4DB20G2              | \$2,229    | V1G (V1)             | CFW110024T40N1Z            | \$2,992    | V1P (V1)             |  |
|  | 20   | 31                      | 15                    | 25                      | CFW700B31P0T4DB20                       | CFW500D31P0T4DB20G2              | \$2,783    | V1G (V1)             | CFW110031T40N1Z            | \$3,873    | V1P (V1)             |  |
|  | 25   | 38                      | 20                    | 33                      | CFW700C38P0T4DB20                       | CFW500E39P0T4DB20G2              | \$3,346    | V1G (V1)             | CFW110038T40N1Z            | \$4,300    | V1P (V1)             |  |
|  | 30   | 45                      | 25                    | 38                      | CFW700C45P0T4DB20                       | CFW500E39P0T4DB20G2 <sup>6</sup> | \$3,346    | V1G (V1)             | CFW110045T40N1Z            | \$5,400    | V1P (V1)             |  |
|  | 40   | 58.5                    | 30                    | 47                      | CFW700C58P5T4DB20                       | CFW500E49P0T4DB20G2 <sup>6</sup> | \$4,214    | V1G (V1)             | CFW110058T40N1Z            | \$6,633    | V1P (V1)             |  |
|  | 50/60  | 70.5                    | 40                    | 61                      | CFW700D70P5T4DBN1                       | CFW500F77P0T4DB20G2              | \$5,700    | V1G (V1)             | CFW110070T40N1Z            | \$7,500    | V1P (V1)             |  |
|  | 60/75  | 88                      | 50                    | 73                      | CFW700D88P0T4DBN1                       | CFW500F88P0T4DB20G2              | \$7,300    | V1G (V1)             | CFW110088T40N1Z            | \$8,900    | V1P (V1)             |  |
|  | 75   | 105                     | 75                    | 88                      | CFW700E105T4DB20C3                      | CFW500F105T4DB20G2               | \$8,900    | V1G (V1)             | CFW110105T40N1DBZ          | \$13,600   | V1P (V1)             |  |
|  | 100/125  | 142                     | 75                    | 115                     | CFW700E142T4DB20C3                      | CFW500G142T4DB20G2               | \$10,915   | V1G (V1)             | CFW110142T40N1DBZ          | \$15,900   | V1P (V1)             |  |

Notes:

- 1) ND (Normal Duty) / VT (Variable Torque): 110% Overload / 60 Sec; HD (Heavy Duty) / CT (Constant Torque): 150% Overload / 60 Sec.
- 2) "HP" rating based on WEG W22 motors "average FLA values". Use as a guide only.
- 3) Motor FLA may vary with speed and manufacturer. ALWAYS compare motor FLA to Nominal AMPS of drive.
- 4) A careful consideration must be given to the application requirements when selecting the replacement drive.
- 5) CFW11 VFDs are direct mechanical replacement for the corresponding CFW700 VFDs. The position of control terminal blocks may differ from CFW700 to CFW11.
- 6) 40°C max. ambient temp. surrounding the VFD.

CFW700  
IP20 ENCLOSURE

Replace With

CFW500-G2 (IP20) OR CFW11  
(NEMA1) ENCLOSURE

| Motor Voltage         | ND/VT <sup>1</sup>   |                         | HD/CT <sup>1</sup>    |                         | CFW700-IP20 CATALOG NUMBER <sup>4</sup> | CFW500-G2 (IP20)    |            |                                | CFW11 (NEMA1) <sup>5</sup>     |            |                      |  |
|-----------------------|--|-------------------------|-----------------------|-------------------------|---|---------------------|------------|--------------------------------|--------------------------------|------------|----------------------|--|
|                       | Motor HP <sup>2</sup>  | Drive Amps <sup>3</sup> | Motor HP <sup>2</sup> | Drive Amps <sup>3</sup> |   | CATALOG NUMBER      | LIST PRICE | MULTIPLIER New (Old)           | CATALOG NUMBER                 | LIST PRICE | MULTIPLIER New (Old) |  |
| 3/460VAC              | 150  | 180                     | 100                   | 142                     | CFW700E0180T4DB20C3                     | CFW500G0180T4DB20G2 | \$13,375   | V1G (V1)                       | CFW110180T40N1DBZ              | \$23,115   | V1P (V1)             |  |
|                       | 175  | 211                     | 150                   | 180                     | CFW700E0211T4DB20C3                     | CFW500G0211T4DB20G2 | \$15,515   | V1G (V1)                       | CFW110211T40N1DBZ              | \$27,020   | V1P (V1)             |  |
|                       | Input Power Suply: 3/380-480VAC without Dynamic Braking Transistor |                         |                       |                         |   |                     |            |                                |                                |            |                      |  |
|                       | 75   | 105                     | 75                    | 88                      | CFW700E0105T4NBN1C3                     | CFW500F0105T4DB20G2 | \$8,900    | V1G (V1)                       | CFW110105T40N1Z                | \$10,650   | V1P (V1)             |  |
|                       | 100/125  | 142                     | 75                    | 115                     | CFW700E0142T4NBN1C3                     | CFW500G0142T4NB20G2 | \$10,200   | V1G (V1)                       | CFW110142T40N1Z                | \$12,500   | V1P (V1)             |  |
|                       | 150  | 180                     | 100                   | 142                     | CFW700E0180T4NBN1C3                     | CFW500G0180T4NB20G2 | \$12,500   | V1G (V1)                       | CFW110180T40N1Z                | \$17,500   | V1P (V1)             |  |
| 3/575VAC <sup>7</sup> | 175  | 211                     | 150                   | 180                     | CFW700E0211T4NBN1C3                     | CFW500G0211T4NB20G2 | \$14,500   | V1G (V1)                       | CFW110211T40N1Z                | \$21,000   | V1P (V1)             |  |
|                       | Input Power Suply: 3/500-600VAC with Dynamic Braking Transistor    |                         |                       |                         |   |                     |            |                                |                                |            |                      |  |
|                       | 2  | 2.9                     | 2                     | 2.7                     | CFW700B02P9T5DB20                       | CFW500C03P0T5DB20   | \$954      | V1G (V1)                       | CFW110002T50N1NFZ              | \$2,393    | V1P (V1)             |  |
|                       | 3  | 4.2                     | 3                     | 3.8                     | CFW700B04P2T5DB20                       | CFW500C04P3T5DB20   | \$1,073    | V1G (V1)                       | CFW110004T50N1NFZ              | \$2,360    | V1P (V1)             |  |
|                       | 7 1/2  | 7                       | 5                     | 6.5                     | CFW700B07P0T5DB20                       | CFW500C07P0T5DB20   | \$1,276    | V1G (V1)                       | CFW110007T50N1NFZ              | \$2,516    | V1P (V1)             |  |
|                       | 10   | 10                      | 7 1/2                 | 9                       | CFW700B10P0T5DB20                       | CFW500C10P0T5DB20   | \$1,621    | V1G (V1)                       | CFW110010T50N1NFZ              | \$2,850    | V1P (V1)             |  |
|                       | 10   | 12                      | 10                    | 10                      | CFW700B12P0T5DB20                       | CFW500C12P0T5DB20   | \$1,813    | V1G (V1)                       | CFW110012T50N1NFZ              | \$2,998    | V1P (V1)             |  |
|                       | 15   | 17                      | 15                    | 17                      | CFW700B17P0T5DB20                       | -                   | -          | -                              | CFW110017T50N1NFZ              | \$3,145    | V1P (V1)             |  |
|                       | 20   | 22                      | 20                    | 19                      | CFW700C22P0T5DB20                       | -                   | -          | -                              | CFW110022T50N1NFZ              | \$4,748    | V1P (V1)             |  |
|                       | 25   | 27                      | 20                    | 22                      | CFW700C27P0T5DB20                       | -                   | -          | -                              | CFW110027T50N1NFZ              | \$5,023    | V1P (V1)             |  |
|                       | 30   | 32                      | 25                    | 27                      | CFW700C32P0T5DB20                       | -                   | -          | -                              | CFW110032T50N1NFZ              | \$5,803    | V1P (V1)             |  |
|                       | 40   | 44                      | 30                    | 36                      | CFW700C44P0T5DB20                       | -                   | -          | -                              | CFW110044T50N1NFZ              | \$7,175    | V1P (V1)             |  |
|                       | 50   | 53                      | 40                    | 44                      | CFW700E53P0T5DB20C3                     | -                   | -          | -                              | CFW110053T60N1YZ               | \$12,166   | V1P (V1)             |  |
|                       | 60   | 63                      | 50                    | 53                      | CFW700E63P0T5DB20C3                     | -                   | -          | -                              | CFW110063T60N1YZ               | \$12,932   | V1P (V1)             |  |
|                       | 75   | 80                      | 75                    | 66                      | CFW700E80P0T5DB20C3                     | -                   | -          | -                              | CFW110080T60N1YZ               | \$13,979   | V1P (V1)             |  |
|                       | 100  | 107                     | 100                   | 90                      | CFW700E0107T5DB20C3                     | -                   | -          | -                              | CFW110107T60N1YZ               | \$23,951   | V1P (V1)             |  |
|                       | 125  | 125                     | 100                   | 107                     | CFW700E0125T5DB20C3                     | -                   | -          | -                              | CFW110125T60N1YZ               | \$29,042   | V1P (V1)             |  |
|                       | 150  | 150                     | 125                   | 122                     | CFW700E0150T5DB20C3                     | -                   | -          | -                              | CFW110150T60N1YZ               | \$33,010   | V1P (V1)             |  |
|                       | Input Power Suply: 3/500-600VAC without Dynamic Braking Transistor |                         |                       |                         |   |                     |            |                                |                                |            |                      |  |
|                       | 20   | 22                      | 20                    | 19                      | CFW700D22P0T5NBN1                       | -                   | -          | -                              | CFW110022T50N1NFZ <sup>6</sup> | \$4,748    | V1P (V1)             |  |
|                       | 25   | 27                      | 20                    | 22                      | CFW700D27P0T5NBN1                       | -                   | -          | -                              | CFW110027T50N1NFZ <sup>6</sup> | \$5,023    | V1P (V1)             |  |
| 30                    | 32   | 25                      | 27                    | CFW700D32P0T5NBN1       | -                                       | -                   | -          | CFW110032T50N1NFZ <sup>6</sup> | \$5,803                        | V1P (V1)   |                      |  |
| 40                    | 44   | 30                      | 36                    | CFW700D44P0T5NBN1       | -                                       | -                   | -          | CFW110044T50N1NFZ <sup>6</sup> | \$7,175                        | V1P (V1)   |                      |  |
| 50                    | 53   | 40                      | 44                    | CFW700E53P0T5NB20C3     | -                                       | -                   | -          | CFW110053T60N1NBYZ             | \$9,887                        | V1P (V1)   |                      |  |
| 60                    | 63   | 50                      | 53                    | CFW700E63P0T5NB20C3     | -                                       | -                   | -          | CFW110063T60N1NBYZ             | \$10,510                       | V1P (V1)   |                      |  |
| 75                    | 80   | 75                      | 66                    | CFW700E80P0T5NB20C3     | -                                       | -                   | -          | CFW110080T60N1NBYZ             | \$11,358                       | V1P (V1)   |                      |  |
| 100                   | 107  | 100                     | 90                    | CFW700E0107T5NB20C3     | -                                       | -                   | -          | CFW110107T60N1NBYZ             | \$19,458                       | V1P (V1)   |                      |  |
| 125                   | 125  | 100                     | 107                   | CFW700E0125T5NB20C3     | -                                       | -                   | -          | CFW110125T60N1NBYZ             | \$23,589                       | V1P (V1)   |                      |  |
| 150                   | 150  | 125                     | 122                   | CFW700E0150T5NB20C3     | -                                       | -                   | -          | CFW110150T60N1NBYZ             | \$30,080                       | V1P (V1)   |                      |  |

Notes:  
 1) ND (Normal Duty) / VT (Variable Torque): 110% Overload / 60 Sec; HD (Heavy Duty) / CT (Constant Torque): 150% Overload / 60 Sec.  
 2) "HP" rating based on WEG W22 motors "average FLA values". Use as a guide only.  
 3) Motor FLA may vary with speed and manufacturer. ALWAYS compare motor FLA to Nominal AMPS of drive.  
 4) A careful consideration must be given to the application requirements when selecting the replacement drive.  
 5) CFW11 VFDs are direct mechanical replacement for the corresponding CFW700 VFDs. The position of control terminal blocks may differ from CFW700 to CFW11.  
 6) Not a direct mechanical replacement for corresponding CFW700 drives.  
 7) All 575V drives are non-stocked items, consult WEG for availability.

**CFW701 NEMA1 ENCLOSURE** → **Replace With** → **CFW501 (IP20) OR CFW500-G2 (IP20) OR CFW11 (NEMA1) ENCL.**

| Motor Voltage | ND/VT <sup>1</sup>   |                         | HD/CT <sup>1</sup>    |                         | CFW701 (NEMA1) CATALOG NUMBER <sup>4</sup> | CFW501 (IP20) CATALOG NUMBER     | CFW500-G2 (IP20) CATALOG NUMBER <sup>5</sup> | CFW11 (NEMA1) CATALOG NUMBER <sup>6</sup> |  |
|---------------|--|-------------------------|-----------------------|-------------------------|--|----------------------------------|--|---|--|
|               | Motor HP <sup>2</sup>  | Drive Amps <sup>3</sup> | Motor HP <sup>2</sup> | Drive Amps <sup>3</sup> |  |                                  |  |   |  |
| 3/230VAC      | <b>Input Power Supply: 1 OR 3/200-240VAC with Dynamic Braking Transistor</b> |                         |                       |                         |  |                                  |  |   |  |
|               | 1 1/2  | 6                       | 1 1/2                 | 5                       | CFW701A06P0B2DBN1C3                        | -                                | CFW500B07P3B2DB20G2                          | CFW110006B20N1Z                           |  |
|               | 2  | 7                       | 2                     | 7                       | CFW701A07P0B2DBN1C3                        | -                                | CFW500B07P3B2DB20G2                          | CFW110007B20N1Z                           |  |
|               | <b>Input Power Supply: 1/200-240VAC with Dynamic Braking Transistor</b>      |                         |                       |                         |  |                                  |  |   |  |
|               | 3  | 10                      | 3                     | 10                      | CFW701A10P0S2DBN1C3                        | -                                | CFW500B10P0B2DB20G2                          | CFW110010S20N1Z                           |  |
|               | <b>Input Power Supply: 3/200-240VAC with Dynamic Braking Transistor</b>      |                         |                       |                         |  |                                  |  |   |  |
|               | 2  | 7.0                     | 1 1/2                 | 5.5                     | CFW701A07P0T2DBN1C3                        | CFW501A07P0T2NB20C3 <sup>7</sup> | CFW500A07P0T2NB20G2                          | CFW110007T20N1Z                           |  |
|               | 3  | 10                      | 2                     | 8.0                     | CFW701A10P0T2DBN1C3                        | CFW501A09P6T2NB20C3 <sup>7</sup> | CFW500A09P6T2NB20G2                          | CFW110010T20N1Z                           |  |
|               | 5  | 13                      | 3                     | 11                      | CFW701A13P0T2DBN1C3                        | CFW501A12P2T2NB20C3 <sup>7</sup> | CFW500B16P0T2DB20G2                          | CFW110013T20N1Z                           |  |
|               | 5  | 16                      | 5                     | 13                      | CFW701A16P0T2DBN1C3                        | CFW501B16P0T2DB20C3              | CFW500B16P0T2DB20G2                          | CFW110016T20N1Z                           |  |
|               | 7 1/2  | 24                      | 7 1/2                 | 20                      | CFW701B24P0T2DBN1C3                        | CFW501C24P0T2DB20C3              | CFW500C24P0T2DB20G2                          | CFW110024T20N1Z                           |  |
|               | 10   | 28                      | 10                    | 24                      | CFW701B28P0T2DBN1C3                        | -                                | CFW500D28P0T2DB20G2                          | CFW110028T20N1Z                           |  |
|               | 10   | 34                      | 10                    | 28                      | CFW701B33P5T2DBN1C3                        | -                                | CFW500D33P0T2DB20G2                          | CFW110033T20N1Z                           |  |
|               | 15   | 45                      | 15                    | 36                      | CFW701C45P0T2DBN1C3                        | -                                | CFW500D47P0T2DB20G2                          | CFW110045T20N1Z                           |  |
|               | 20   | 54                      | 20                    | 45                      | CFW701C54P0T2DBN1C3                        | -                                | CFW500E56P0T2DB20G2                          | CFW110054T20N1Z                           |  |
|               | 25   | 70                      | 20                    | 56                      | CFW701C70P0T2DBN1C3                        | -                                | CFW500F77P0T2DB20G2                          | CFW110070T20N1Z                           |  |
|               | 30   | 86                      | 25                    | 70                      | CFW701D86P0T2DBN1C3                        | -                                | CFW500F88P0T2DB20G2                          | CFW110086T20N1Z                           |  |
|               | 40   | 105                     | 30                    | 86                      | CFW701D0105T2DBN1C3                        | -                                | CFW500F0105T2DB20G2                          | CFW110105T20N1Z                           |  |
|               | <b>Input Power Supply: 3/200-240VAC without Dynamic Braking Transistor</b>   |                         |                       |                         |  |                                  |  |   |  |
|               | 50   | 142                     | 40                    | 115                     | CFW701E0142T2NBN1C3                        | -                                | CFW500G0145T2NB20G2                          | CFW110142T20N1Z                           |  |
| 60            | 180  | 50                      | 142                   | CFW701E0180T2NBN1C3     | -  | CFW500G0180T2NB20G2              | CFW110180T20N1Z                              |   |  |
| 75            | 211  | 60                      | 180                   | CFW701E0211T2NBN1C3     | -  | CFW500G0211T2NB20G2              | CFW110211T20N1Z                              |   |  |
| 3/460VAC      | <b>Input Power Supply: 3/380-480VAC with Dynamic Braking Transistor</b>      |                         |                       |                         |  |                                  |  |   |  |
|               | 2  | 3.6                     | 2                     | 3.6                     | CFW701A03P6T4DBN1C3                        | CFW501B04P3T4DB20C3              | CFW500B04P3T4DB20G2                          | CFW110003T40N1Z                           |  |
|               | 3  | 5                       | 3                     | 5                       | CFW701A05P0T4DBN1C3                        | CFW501B06P5T4DB20C3              | CFW500B06P5T4DB20G2                          | CFW110005T40N1Z                           |  |
|               | 5  | 7                       | 3                     | 5.5                     | CFW701A07P0T4DBN1C3                        | CFW501B10P0T4DB20C3              | CFW500B10P0T4DB20G2                          | CFW110007T40N1Z                           |  |
|               | 7 1/2  | 10                      | 5                     | 10                      | CFW701A10P0T4DBN1C3                        | CFW501B10P0T4DB20C3              | CFW500B10P0T4DB20G2                          | CFW110010T40N1Z                           |  |
|               | 10   | 13.5                    | 7 1/2                 | 11                      | CFW701A13P5T4DBN1C3                        | CFW501C14P0T4DB20C2              | CFW500C14P0T4DB20G2                          | CFW110013T40N1Z                           |  |
|               | 10   | 17                      | 10                    | 13.5                    | CFW701B17P0T4DBN1C3                        | CFW501C16P0T4DB20C2              | CFW500C16P0T4DB20G2                          | CFW110017T40N1Z                           |  |
|               | 15   | 24                      | 10                    | 19                      | CFW701B24P0T4DBN1C3                        | CFW501D24P0T4DB20C3              | CFW500D24P0T4DB20G2                          | CFW110024T40N1Z                           |  |
|               | 20   | 31                      | 15                    | 25                      | CFW701B31P0T4DBN1C3                        | CFW501D31P0T4DB20C3              | CFW500D31P0T4DB20G2                          | CFW110031T40N1Z                           |  |
|               | 25   | 38                      | 20                    | 33                      | CFW701C38P0T4DBN1C3                        | -                                | CFW500E39P0T4DB20G2                          | CFW110038T40N1Z                           |  |
|               | 30   | 45                      | 25                    | 38                      | CFW701C45P0T4DBN1C3                        | -                                | CFW500E39P0T4DB20G2 <sup>8</sup>             | CFW110045T40N1Z                           |  |
|               | 40   | 58.5                    | 30                    | 47                      | CFW701C58P5T4DBN1C3                        | -                                | CFW500E49P0T4DB20G2 <sup>8</sup>             | CFW110058T40N1Z                           |  |
|               | 50/60  | 70.5                    | 40                    | 61                      | CFW701D70P5T4DBN1C3                        | -                                | CFW500F77P0T4DB20G2                          | CFW110070T40N1Z                           |  |
|               | 60/75  | 88                      | 50                    | 73                      | CFW701D88P0T4DBN1C3                        | -                                | CFW500F88P0T4DB20G2                          | CFW110088T40N1Z                           |  |

Notes:  
 1) ND (Normal Duty) / VT (Variable Torque): 110% Overload / 60 Sec; HD (Heavy Duty) / CT (Constant Torque): 150% Overload / 60 Sec.  
 2) "HP" rating based on WEG W22 motors "average FLA values". Use as a guide only.  
 3) Motor FLA may vary with speed and manufacturer. ALWAYS compare motor FLA to Nominal AMPS of drive.  
 4) A careful consideration must be given to the application requirements when selecting the replacement drive.  
 5) The CFW500 (230VAC & 460VAC) is General Purpose/Machinery/Industrial drive with BACnet com. capability. The CFW500 - 575VAC drives do not have BACnet communication.  
 6) The CFW11 VFDs are direct mechanical replacement for the corresponding CFW701 VFDs. The position of control terminal blocks may differ from CFW701 to CFW11. The CFW11 is standard industrial drive with BACnet com. capability with special FM.  
 7) These drives do not have built in dynamic braking transistor.  
 8) 40°C max. ambient temp. surrounding the VFD.

CFW701 NEMA1 ENCLOSURE Replace With CFW501 (IP20) OR CFW500-G2 (IP20) OR CFW11 (NEMA1) ENCL.

| Motor Voltage         | ND/VT <sup>1</sup>  |                         | HD/CT <sup>1</sup>    |                         | CFW701 (NEMA1) CATALOG NUMBER <sup>4</sup> | CFW501 (IP20) CATALOG NUMBER | CFW500-G2 (IP20) CATALOG NUMBER <sup>5</sup> | CFW11 (NEMA1) CATALOG NUMBER <sup>6</sup> |
|-----------------------|---|-------------------------|-----------------------|-------------------------|--|------------------------------|--|---|
|                       | Motor HP <sup>2</sup>   | Drive Amps <sup>3</sup> | Motor HP <sup>2</sup> | Drive Amps <sup>3</sup> |  |                              |  |   |
| 3/460VAC              | Input Power Supply: 3/380-480VAC without Dynamic Braking Transistor |                         |                       |                         |  |                              |  |   |
|                       | 75  | 105                     | 75                    | 88                      | CFW701E0105T4NBN1C3                        | -                            | CFW500F0105T4DB20G2                          | CFW110105T40N1Z                           |
|                       | 100/125   | 142                     | 75                    | 115                     | CFW701E0142T4NBN1C3                        | -                            | CFW500G0142T4NB20G2                          | CFW110142T40N1Z                           |
|                       | 150   | 180                     | 100                   | 142                     | CFW701E0180T4NBN1C3                        | -                            | CFW500G0180T4NB20G2                          | CFW110180T40N1Z                           |
|                       | 175   | 211                     | 150                   | 180                     | CFW701E0211T4NBN1C3                        | -                            | CFW500G0211T4NB20G2                          | CFW110211T40N1Z                           |
| 3/575VAC <sup>8</sup> | Input Power Supply: 3/500-600VAC with Dynamic Braking Transistor    |                         |                       |                         |  |                              |  |   |
|                       | 2   | 2.9                     | 2                     | 2.7                     | CFW701B02P9T5DBN1C3                        | -                            | CFW500C03P0T5DB20                            | CFW110002T50N1NFZ                         |
|                       | 3   | 4.2                     | 3                     | 3.8                     | CFW701B04P2T5DBN1C3                        | -                            | CFW500C04P3T5DB20                            | CFW110004T50N1NFZ                         |
|                       | 7 1/2   | 7                       | 5                     | 6.5                     | CFW701B07P0T5DBN1C3                        | -                            | CFW500C07P0T5DB20                            | CFW110007T50N1NFZ                         |
|                       | 10  | 10                      | 7 1/2                 | 9                       | CFW701B10P0T5DBN1C3                        | -                            | CFW500C10P0T5DB20                            | CFW110010T50N1NFZ                         |
|                       | 10  | 12                      | 10                    | 10                      | CFW701B12P0T5DBN1C3                        | -                            | CFW500C12P0T5DB20                            | CFW110012T50N1NFZ                         |
|                       | 15  | 17                      | 15                    | 17                      | CFW701B17P0T5DBN1C3                        | -                            | -  | CFW110017T50N1NFZ                         |
|                       | Input Power Supply: 3/500-600VAC without Dynamic Braking Transistor |                         |                       |                         |  |                              |  |   |
|                       | 20  | 22                      | 20                    | 19                      | CFW701D22P0T5NBN1C3                        | -                            | -  | CFW110022T50N1NFZ <sup>7</sup>            |
|                       | 25  | 27                      | 20                    | 22                      | CFW701D27P0T5NBN1C3                        | -                            | -  | CFW110027T50N1NFZ <sup>7</sup>            |
|                       | 30  | 32                      | 25                    | 27                      | CFW701D32P0T5NBN1C3                        | -                            | -  | CFW110032T50N1NFZ <sup>7</sup>            |
|                       | 40  | 44                      | 30                    | 36                      | CFW701D44P0T5NBN1C3                        | -                            | -  | CFW110044T50N1NFZ <sup>7</sup>            |
|                       | 50  | 53                      | 40                    | 44                      | CFW701E53P0T5NBN1C3                        | -                            | -  | CFW110053T60N1NBYZ                        |
| 60                    | 63  | 50                      | 53                    | CFW701E63P0T5NBN1C3     | -  | -                            | CFW110063T60N1NBYZ                           |   |
| 75                    | 80  | 75                      | 66                    | CFW701E80P0T5NBN1C3     | -  | -                            | CFW110080T60N1NBYZ                           |   |
| 100                   | 107   | 100                     | 90                    | CFW701E0107T5NBN1C3     | -  | -                            | CFW110107T60N1NBYZ                           |   |
| 125                   | 125   | 100                     | 107                   | CFW701E0125T5NBN1C3     | -  | -                            | CFW110125T60N1NBYZ                           |   |
| 150                   | 150   | 125                     | 122                   | CFW701E0150T5NBN1C3     | -  | -                            | CFW110150T60N1NBYZ                           |   |

Notes:  
 1) ND (Normal Duty) / VT (Variable Torque): 110% Overload / 60 Sec; HD (Heavy Duty) / CT (Constant Torque): 150% Overload / 60 Sec.  
 2) "HP" rating based on WEG W22 motors "average FLA values". Use as a guide only.  
 3) Motor FLA may vary with speed and manufacturer. ALWAYS compare motor FLA to Nominal AMPS of drive.  
 4) A careful consideration must be given to the application requirements when selecting the replacement drive.  
 5) The CFW500 (230VAC & 460VAC) is General Purpose/Machinery/Industrial drive with BACnet com. capability. The CFW500 - 575VAC drives do not have BACnet communication.  
 6) The CFW11 VFDs are direct mechanical replacement for the corresponding CFW701 VFDs. The position of control terminal blocks may differ from CFW701 to CFW11. The CFW11 is standard industrial drive with BACnet com. capability with special FM.  
 7) Not a direct mechanical replacement for corresponding CFW701 drives.  
 8) All 575V drives are non-stocked items, consult WEG for availability.

INDEX  
 WARRANTY INFO  
 CFW100 G2  
 CFW300  
 CFW500 G2  
 CFW500 G1  
 CFW700  
 CFW11  
 CFW11M  
 PUMP GENIUS  
 CFW501  
 CFW701  
 SSW05  
 SSW07  
 SSW900  
 SSW7000  
 EDP11  
 GPH2  
 APS9  
 MFM

## SSW06 Soft Starters

## SSW900 Soft Starters

| Motor Voltage | Motor HP <sup>1</sup>                       | Starter Amps <sup>2</sup>               | Duty Cycle                           | SSW06 Catalog Number                 | Motor HP <sup>1</sup> | Starter Amps <sup>2</sup>     | Duty Cycle                           | SSW900 Catalog Number                | List Price       | Multiplier New (Old) |          |  |
|---------------|---|---|--------------------------------------|--------------------------------------|-----------------------|-------------------------------|--------------------------------------|--------------------------------------|------------------|----------------------|----------|--|
| 3-Ph, 230VAC  | Input Power Supply: Three-Phase 200-240 Vac |   |                                      |                                      |                       |                               |                                      |                                      |                  |                      |          |  |
|               | 3   | 10                                      | 300%, 30 s,<br>10 Starts/hr,<br>55°C | SSW060010T2257ESZ                    | 3                     | 10                            | 300%, 30 s,<br>10 Starts/hr,<br>55°C | SSW900A0010T5E2B                     | \$1,386          | E19 (E1)             |          |  |
|               | 5   | 16                                      |                                      | SSW060016T2257ESZ                    | 5                     | 17                            |                                      | SSW900A0017T5E2B                     | \$1,429          | E19 (E1)             |          |  |
|               | 7.5   | 23                                      |                                      | SSW060023T2257ESZ                    | 7.5                   | 24                            |                                      | SSW900A0024T5E2B                     | \$1,572          | E19 (E1)             |          |  |
|               | 10  | 30                                      |                                      | SSW060030T2257ESZ                    | 10                    | 30                            |                                      | SSW900A0030T5E2B                     | \$1,703          | E19 (E1)             |          |  |
|               | 15  | 45                                      |                                      | SSW060045T2257ESZ                    | 15                    | 45                            |                                      | SSW900B0045T5E2B <sup>3</sup>        | \$1,976          | E19 (E1)             |          |  |
|               | 20  | 60                                      |                                      | SSW060060T2257ESZ                    | 20                    | 61                            |                                      | SSW900B0061T5E2B <sup>3</sup>        | \$2,181          | E19 (E1)             |          |  |
|               | 25 / 30                                     | 85                                      |                                      | SSW060085T2257ESZ                    | 25 / 30               | 85                            |                                      | SSW900B0085T5E2B <sup>3</sup>        | \$2,771          | E19 (E1)             |          |  |
|               | -   | -                                       |                                      | -                                    | 40                    | 105                           |                                      | SSW900B0105T5E2B <sup>3</sup>        | \$3,160          | E19 (E1)             |          |  |
|               | 50  | 130                                     |                                      | SSW060130T2257ESZ                    | 50                    | 130                           |                                      | SSW900C0130T5E2B <sup>3</sup>        | \$3,547          | E19 (E1)             |          |  |
|               | 60  | 170                                     |                                      | SSW060170T2257ESZ                    | 60                    | 171                           |                                      | SSW900C0171T5E2B <sup>3</sup>        | \$4,270          | E19 (E1)             |          |  |
|               | 75  | 205                                     |                                      | SSW060205T2257ESZ                    | 75                    | 200                           |                                      | SSW900C0200T5E2B <sup>3</sup>        | \$5,354          | E19 (E1)             |          |  |
|               | 100   | 255                                     |                                      | SSW060255T2257ESZ                    | 100                   | 255                           |                                      | SSW900D0255T5E3B                     | \$7,188          | E19 (E1)             |          |  |
|               | 125   | 312                                     |                                      | SSW060312T2257ESZ                    | 125                   | 312                           |                                      | SSW900D0312T5E3B                     | \$7,896          | E19 (E1)             |          |  |
|               | 150   | 365                                     |                                      | SSW060365T2257ESZ                    | 150                   | 365                           |                                      | SSW900D0365T5E3B                     | \$8,721          | E19 (E1)             |          |  |
|               | 150   | 412                                     | SSW060412T2257ESZ                    | 150                                  | 412                   | SSW900D0412T5E3B              | \$9,465                              | E19 (E1)                             |                  |                      |          |  |
|               | 200   | 480                                     | SSW060480T2257ESZ                    | 200                                  | 480                   | SSW900E0480T5E3B <sup>4</sup> | \$11,730                             | E19 (E1)                             |                  |                      |          |  |
|               | 250   | 604                                     | SSW060604T2257ESZ                    | 250                                  | 604                   | SSW900E0604T5E3B <sup>4</sup> | \$13,082                             | E19 (E1)                             |                  |                      |          |  |
|               | 250   | 670                                     | SSW060670T2257ESZ                    | 250                                  | 670                   | SSW900E0670T5E3B <sup>4</sup> | \$14,878                             | E19 (E1)                             |                  |                      |          |  |
|               | 350   | 820                                     | SSW060820T2257ESZ                    | 350                                  | 820                   | SSW900F0820T5E3B <sup>4</sup> | \$17,573                             | E19 (E1)                             |                  |                      |          |  |
|               | 400   | 950                                     | 300%, 30 s,<br>5 Starts/hr,<br>40°C  | SSW060950T2257ESH1Z                  | 400                   | 950                           | SSW900F0950T5E3B                     | \$26,592                             | E19 (E1)         |                      |          |  |
|               | 450   | 1100                                    | SSW061100T2257ESH2Z                  | 450                                  | 1100                  | SSW900G1100T5E3B              | \$33,351                             | E19 (E1)                             |                  |                      |          |  |
|               | 550   | 1400                                    | SSW061400T2257ESH2Z                  | 550                                  | 1400                  | SSW900G1400T5E3B              | \$42,863                             | E19 (E1)                             |                  |                      |          |  |
|               | 3-Ph, 460VAC                                | Input Power Supply: Three-Phase 460 Vac |                                      |                                      |                       |                               |                                      |                                      |                  |                      |          |  |
|               |   | 5                                       | 10                                   | 300%, 30 s,<br>10 Starts/hr,<br>55°C | SSW060010T2257ESZ     | 5                             | 10                                   | 300%, 30 s,<br>10 Starts/hr,<br>55°C | SSW900A0010T5E2B | \$1,386              | E19 (E1) |  |
|               |   | 10                                      | 16                                   |                                      | SSW060016T2257ESZ     | 10                            | 17                                   |                                      | SSW900A0017T5E2B | \$1,429              | E19 (E1) |  |
| 15            |   | 23                                      | SSW060023T2257ESZ                    |                                      | 15                    | 24                            | SSW900A0024T5E2B                     |                                      | \$1,572          | E19 (E1)             |          |  |
| 20            |   | 30                                      | SSW060030T2257ESZ                    |                                      | 20                    | 30                            | SSW900A0030T5E2B                     |                                      | \$1,703          | E19 (E1)             |          |  |
| 30            |   | 45                                      | SSW060045T2257ESZ                    |                                      | 30                    | 45                            | SSW900B0045T5E2B <sup>3</sup>        |                                      | \$1,976          | E19 (E1)             |          |  |
| 40            |   | 60                                      | SSW060060T2257ESZ                    |                                      | 40                    | 61                            | SSW900B0061T5E2B <sup>3</sup>        |                                      | \$2,181          | E19 (E1)             |          |  |
| 50/60/75      |   | 85                                      | SSW060085T2257ESZ                    |                                      | 50/60/75              | 85                            | SSW900B0085T5E2B <sup>3</sup>        |                                      | \$2,771          | E19 (E1)             |          |  |
| -             |   | -                                       | -                                    |                                      | 75                    | 105                           | SSW900B0105T5E2B <sup>3</sup>        |                                      | \$3,160          | E19 (E1)             |          |  |
| 100           |   | 130                                     | SSW060130T2257ESZ                    |                                      | 100                   | 130                           | SSW900C0130T5E2B <sup>3</sup>        |                                      | \$3,547          | E19 (E1)             |          |  |
| 125           |   | 170                                     | SSW060170T2257ESZ                    |                                      | 125                   | 171                           | SSW900C0171T5E2B <sup>3</sup>        |                                      | \$4,270          | E19 (E1)             |          |  |
| 150           |   | 205                                     | SSW060205T2257ESZ                    |                                      | 150                   | 200                           | SSW900C0200T5E2B <sup>3</sup>        |                                      | \$5,354          | E19 (E1)             |          |  |
| 200           |   | 255                                     | SSW060255T2257ESZ                    |                                      | 200                   | 255                           | SSW900D0255T5E3B                     |                                      | \$7,188          | E19 (E1)             |          |  |
| 250           |   | 312                                     | SSW060312T2257ESZ                    |                                      | 250                   | 312                           | SSW900D0312T5E3B                     |                                      | \$7,896          | E19 (E1)             |          |  |
| 300           |   | 365                                     | SSW060365T2257ESZ                    |                                      | 300                   | 365                           | SSW900D0365T5E3B                     |                                      | \$8,721          | E19 (E1)             |          |  |
| 350           |   | 412                                     | SSW060412T2257ESZ                    | 350                                  | 412                   | SSW900D0412T5E3B              | \$9,465                              | E19 (E1)                             |                  |                      |          |  |
| 400           |   | 480                                     | SSW060480T2257ESZ                    | 400                                  | 480                   | SSW900E0480T5E3B <sup>4</sup> | \$11,730                             | E19 (E1)                             |                  |                      |          |  |
| 500           |   | 604                                     | SSW060604T2257ESZ                    | 500                                  | 604                   | SSW900E0604T5E3B <sup>4</sup> | \$13,082                             | E19 (E1)                             |                  |                      |          |  |
| 550           |   | 670                                     | SSW060670T2257ESZ                    | 550                                  | 670                   | SSW900E0670T5E3B <sup>4</sup> | \$14,878                             | E19 (E1)                             |                  |                      |          |  |
| 700           |   | 820                                     | SSW060820T2257ESZ                    | 700                                  | 820                   | SSW900F0820T5E3B <sup>4</sup> | \$17,573                             | E19 (E1)                             |                  |                      |          |  |
| 800           |   | 950                                     | 300%, 30 s,<br>5 Starts/hr,<br>40°C  | SSW060950T2257ESH1Z                  | 800                   | 950                           | SSW900F0950T5E3B                     | \$26,592                             | E19 (E1)         |                      |          |  |
| 900           |   | 1100                                    | SSW061100T2257ESH2Z                  | 900                                  | 1100                  | SSW900G1100T5E3B              | \$33,351                             | E19 (E1)                             |                  |                      |          |  |
| 1200          |   | 1400                                    | SSW061400T2257ESH2Z                  | 1200                                 | 1400                  | SSW900G1400T5E3B              | \$42,863                             | E19 (E1)                             |                  |                      |          |  |

**Notes:**

- 1) "HP" rating based on FLA values from WEG W22, 2 and 4 pole, NEMA Premium motors.
- 2) Motor FLA may vary with speed and manufacturer. ALWAYS compare motor FLA to Nominal AMPS of the starter.
- 3) Must be used with ventilation kit.
- 4) Please note duty cycle and ambient temperature rating difference between SSW06 and SSW900 models. The SSW06 is rated for 300%, 30s, 10 starts/hr @ 55°C and SSW900 is rated for 300%, 30s, 5 starts/hr @ 40°C

SSW06 Soft Starters

SSW900 Soft Starters

| Motor Voltage                                  | Motor HP <sup>1</sup> | Starter Amps <sup>2</sup> | Duty Cycle                           | SSW06 Catalog Number | Motor HP <sup>1</sup> | Starter Amps <sup>2</sup>           | Duty Cycle                           | SSW900 Catalog Number         | List Price | Multiplier New (Old) |
|--|-----------------------|---------------------------|--------------------------------------|----------------------|-----------------------|-------------------------------------|--------------------------------------|-------------------------------|------------|----------------------|
| <b>Input Power Supply: Three-Phase 575 Vac</b> |                       |                           |                                      |                      |                       |                                     |                                      |                               |            |                      |
| 3-Ph, 575VAC                                   | 7.5                   | 10                        | 300%, 30 s,<br>10 Starts/hr,<br>55°C | SSW060010T2257ESZ    | 7.5                   | 10                                  | 300%, 30 s,<br>10 Starts/hr,<br>55°C | SSW900A0010T5E2B              | \$1,386    | E19 (E1)             |
|  | 15                    | 16                        |                                      | SSW060016T2257ESZ    | 15                    | 17                                  |                                      | SSW900A0017T5E2B              | \$1,429    | E19 (E1)             |
|  | 20                    | 23                        |                                      | SSW060023T2257ESZ    | 20                    | 24                                  |                                      | SSW900A0024T5E2B              | \$1,572    | E19 (E1)             |
|  | 30                    | 30                        |                                      | SSW060030T2257ESZ    | 30                    | 30                                  |                                      | SSW900A0030T5E2B              | \$1,703    | E19 (E1)             |
|  | 40                    | 45                        |                                      | SSW060045T2257ESZ    | 40                    | 45                                  |                                      | SSW900B0045T5E2B <sup>3</sup> | \$1,976    | E19 (E1)             |
|  | 60                    | 60                        |                                      | SSW060060T2257ESZ    | 60                    | 61                                  |                                      | SSW900B0061T5E2B <sup>3</sup> | \$2,181    | E19 (E1)             |
|  | 75                    | 85                        |                                      | SSW060085T2257ESZ    | 75                    | 85                                  |                                      | SSW900B0085T5E2B <sup>3</sup> | \$2,771    | E19 (E1)             |
|  | -                     | -                         |                                      | -                    | 100                   | 105                                 |                                      | SSW900B0105T5E2B <sup>3</sup> | \$3,160    | E19 (E1)             |
|  | 125                   | 130                       |                                      | SSW060130T2257ESZ    | 125                   | 130                                 |                                      | SSW900C0130T5E2B <sup>3</sup> | \$3,547    | E19 (E1)             |
|  | 150                   | 170                       |                                      | SSW060170T2257ESZ    | 150                   | 171                                 |                                      | SSW900C0171T5E2B <sup>3</sup> | \$4,270    | E19 (E1)             |
|  | 200                   | 205                       | SSW060205T2257ESZ                    | 200                  | 200                   | SSW900C0200T5E2B <sup>3</sup>       | \$5,354                              | E19 (E1)                      |            |                      |
|  | 250                   | 255                       | SSW060255T2257ESZ                    | 250                  | 255                   | SSW900D0255T5E3B                    | \$7,188                              | E19 (E1)                      |            |                      |
|  | 300                   | 312                       | SSW060312T2257ESZ                    | 300                  | 312                   | SSW900D0312T5E3B                    | \$7,896                              | E19 (E1)                      |            |                      |
|  | 350                   | 365                       | SSW060365T2257ESZ                    | 350                  | 365                   | SSW900D0365T5E3B                    | \$8,721                              | E19 (E1)                      |            |                      |
|  | 450                   | 412                       | SSW060412T2257ESZ                    | 450                  | 412                   | SSW900D0412T5E3B                    | \$9,465                              | E19 (E1)                      |            |                      |
|  | 500                   | 480                       | SSW060480T2257ESZ                    | 500                  | 480                   | SSW900E0480T5E3B <sup>5</sup>       | \$11,730                             | E19 (E1)                      |            |                      |
|  | 650                   | 604                       | SSW060604T2257ESZ                    | 650                  | 604                   | SSW900E0604T5E3B <sup>5</sup>       | \$13,082                             | E19 (E1)                      |            |                      |
|  | 750                   | 670                       | SSW060670T2257ESZ                    | 750                  | 670                   | SSW900E0670T5E3B <sup>5</sup>       | \$14,878                             | E19 (E1)                      |            |                      |
|  | 850                   | 820                       | SSW060820T2257ESZ                    | 850                  | 820                   | SSW900F0820T5E3B <sup>5</sup>       | \$17,573                             | E19 (E1)                      |            |                      |
|  | 1050                  | 950                       | 300%, 30 s,<br>5 Starts/hr,<br>40°C  | SSW060950T2257ESH1Z  | 1050                  | 950                                 | SSW900F0950T5E3B                     | \$26,592                      | E19 (E1)   |                      |
| 1200   | 1100                  | SSW061100T2257ESH2Z       | 1200                                 | 1100                 | SSW900G1100T5E3B      | \$33,351                            | E19 (E1)                             |                               |            |                      |
| 1500   | 1400                  | SSW061400T2257ESH2Z       | 1500                                 | 1400                 | SSW900G1400T5E3B      | \$42,863                            | E19 (E1)                             |                               |            |                      |
| <b>Input Power Supply: Three-Phase 690 Vac</b> |                       |                           |                                      |                      |                       |                                     |                                      |                               |            |                      |
| 3-Ph, 690VAC <sup>4</sup>                      | 50                    | 45                        | 300%, 30 s,<br>10 Starts/hr,<br>55°C | SSW060045T5769ESZ    | -                     | -                                   | -                                    | -                             | -          | -                    |
|  | 75                    | 60                        |                                      | SSW060060T5769ESZ    | -                     | -                                   | -                                    | -                             | -          | -                    |
|  | 100                   | 85                        |                                      | SSW060085T5769ESZ    | -                     | -                                   | -                                    | -                             | -          | -                    |
|  | 150                   | 130                       |                                      | SSW060130T5769ESZ    | 150                   | 130                                 | 300%, 30 s,<br>10 Starts/hr,<br>55°C | SSW900C0130T6E2B <sup>3</sup> | \$4,529    | E19 (E1)             |
|  | 200                   | 170                       |                                      | SSW060170T5769ESZ    | 200                   | 171                                 |                                      | SSW900C0171T6E2B <sup>3</sup> | \$5,705    | E19 (E1)             |
|  | 250                   | 205                       |                                      | SSW060205T5769ESZ    | 250                   | 200                                 |                                      | SSW900C0200T6E2B <sup>3</sup> | \$7,172    | E19 (E1)             |
|  | 300                   | 255                       |                                      | SSW060255T5769ESZ    | 300                   | 255                                 |                                      | SSW900D0255T6E3B              | \$8,242    | E19 (E1)             |
|  | 400                   | 312                       |                                      | SSW060312T5769ESZ    | 400                   | 312                                 |                                      | SSW900D0312T6E3B              | \$8,948    | E19 (E1)             |
|  | 450                   | 365                       |                                      | SSW060365T5769ESZ    | 450                   | 365                                 |                                      | SSW900D0365T6E3B              | \$9,299    | E19 (E1)             |
|  | 550                   | 412                       |                                      | SSW060412T5769ESZ    | 550                   | 412                                 |                                      | SSW900D0412T6E3B              | \$11,181   | E19 (E1)             |
|  | 600                   | 480                       | SSW060480T5769ESZ                    | 600                  | 480                   | 300%, 30 s,<br>5 Starts/hr,<br>40°C |                                      | SSW900E0480T6E3B <sup>5</sup> | \$13,841   | E19 (E1)             |
|  | 750                   | 604                       | SSW060604T5769ESZ                    | 750                  | 604                   |                                     |                                      | SSW900E0604T6E3B <sup>5</sup> | \$15,439   | E19 (E1)             |
|  | 850                   | 670                       | SSW060670T5769ESZ                    | 850                  | 670                   |                                     |                                      | SSW900E0670T6E3B <sup>5</sup> | \$14,932   | E19 (E1)             |
|  | 1000                  | 820                       | SSW060820T5769ESZ                    | 1000                 | 820                   |                                     | SSW900F0820T6E3B <sup>5</sup>        | \$17,646                      | E19 (E1)   |                      |
|  | 1200                  | 950                       | 300%, 30 s,<br>5 Starts/hr,<br>40°C  | SSW060950T5769ESH1Z  | 1200                  |                                     | 950                                  | SSW900F0950T6E3B              | \$28,794   | E19 (E1)             |
|  | 1400                  | 1100                      | SSW061100T5769ESH2Z                  | 1400                 | 1100                  |                                     | SSW900G1100T6E3B                     | \$34,673                      | E19 (E1)   |                      |
|  | 1700                  | 1400                      | SSW061400T5769ESH2Z                  | 1700                 | 1400                  |                                     | SSW900G1400T6E3B                     | \$44,509                      | E19 (E1)   |                      |

Notes:

- 1) "HP" rating based on FLA values from WEG W22, 2 and 4 pole, NEMA Premium motors.
- 2) Motor FLA may vary with speed and manufacturer. ALWAYS compare motor FLA to Nominal AMPS of the starter.
- 3) Must be used with ventilation kit.
- 4) The 690VAC Soft Starters are not "UL Listed" and are non-stocked items. Please consult WEG for availability.
- 5) Please note duty cycle and ambient temperature rating difference between SSW06 and SSW900 models. The SSW06 is rated for 300%, 30s, 10 starts/hr @ 55°C and SSW900 is rated for 300%, 30s, 5 starts/hr @ 40°C.









