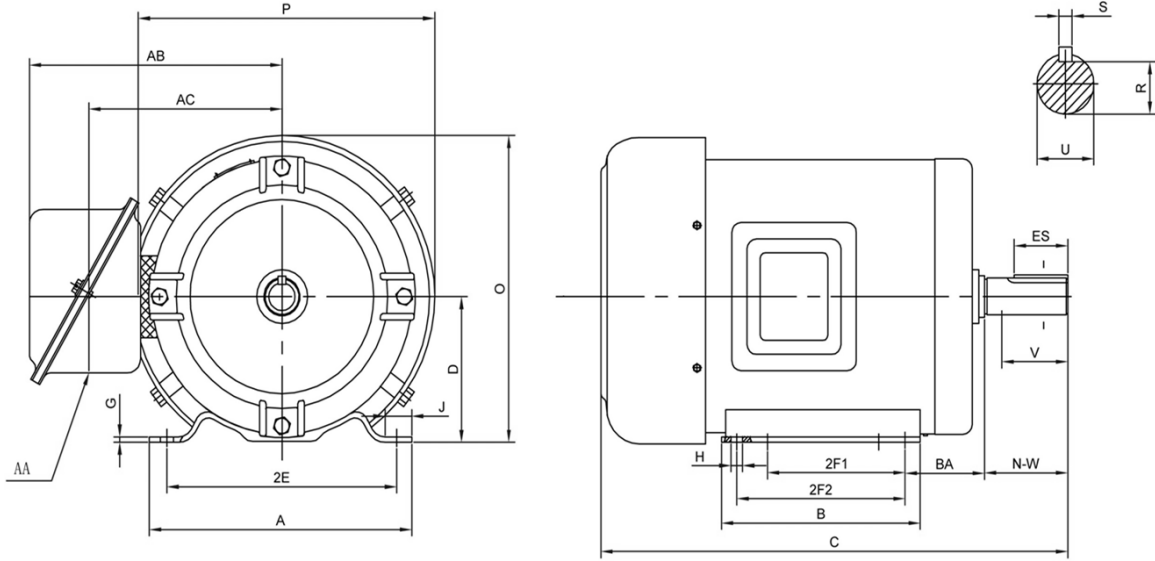


**PR145T2M4A**

**GENERAL PURPOSE ELECTRIC MOTOR**  
**NEMA PREMIUM EFFICIENCY**  
**TOTALLY ENCLOSED FAN COOLED**  
**ROLLED STEEL CONSTRUCTION**  
**INVERTER RATED (10:1 VT; 5:1 CT)**



**DIMENSIONS**

HP	RPM	Frame	MOUNTING														
			A	B	C	D	G	H	J	E	2E	2F1	2F2	O	P	T	BA
2	1800	145T	6.50	5.90	13.00	3.50	0.12	0.35	1.18	2.75	5.50	4.00	5.00	7.00	6.97	NA	2.25

Shaft Extension, Key Set						Conduit Box		Bearings		Mount
U	V	R	S	ES	N-W	AA	AB	DE	ODE	
0.88	2.00	0.77	0.19	1.38	2.25	1.10	6.30	6205	6203	

**BEARING LUBRICATION:** The bearings come lubricated with Mobil Polyrex EM Polyurea Grease.

**PR145T2M4A**



**GENERAL PURPOSE ELECTRIC MOTOR**  
**NEMA PREMIUM EFFICIENCY**  
**TOTALLY ENCLOSED FAN COOLED**  
**ROLLED STEEL CONSTRUCTION**  
**INVERTER RATED (10:1 VT; 5:1 CT)**

**PERFORMANCE DATA**

HP	RPM	Frame	Voltage	Frequency (Hz)	Full Load S.F.	Insulation Class	NEMA Design	Slip (%)	NEMA Code	Enclosure Type	IP Rating	Max. Ambient
2	1750	145T	208-230/460	60	1.15	F	B	0.028	L	TEFC	IP44	40°C

Amps (460V)		Efficiency (%)			Power Factor			Torque (ft-lb)			DE Bearing	ODE Bearing	Connection	Weight (lbs.)
FLA	LRA	100%	75%	50%	100%	75%	50%	FLT	LRT %	BDT %				
3.1	23	85.6	85.5	83.3	0.72	0.63	0.49	8.15	339	416	6205-2RZC3	6203-2RZC3	9 Lead Y	41

<b>NAME PLATE</b>															
 <b>North American Electric, Inc.</b>						<b>GENERAL PURPOSE</b>   <b>NEMA Premium</b>  <b>TOTALLY ENCLOSED FAN COOLED</b>									
<b>MODEL</b>		<b>HP</b>		<b>2</b>		<b>RPM</b>		<b>1750</b>		<b>FRAME</b>		<b>145T</b>			
PR145T2M4A		<b>ENCL</b>		<b>TEFC</b>		<b>HZ</b>		<b>60</b>		<b>PHASE</b>		<b>3</b>			
<b>VOLT</b>		<b>208-230/460</b>		<b>AMPS</b>		<b>6.5-6.0/3.0</b>		<b>S.F.</b>		<b>1.15</b>		<b>DESIGN</b>		<b>B</b>	
<b>S.F. AMPS</b>		<b>7.5-6.9/3.5</b>		<b>CLASS</b>		<b>F</b>		<b>CODE</b>		<b>L</b>		<b>LBS</b>		<b>41</b>	
<b>DE BEARING</b>		<b>6203-2RZC3</b>		<b>ODE BEARING</b>		<b>6203-2RZC3</b>		<b>RATING</b>		<b>CONT</b>		<b>MAX AMB.</b>		<b>40°C</b>	
<b>SER</b>															