

CleanWave[®] Sanitizing Portable Vacuum

Model: VH07

Job#: 0.0000	Title: VH07 Bilingual Manual Trim to A5 Size 148x210mm
Date: 05/18/16	Version: VH07_MAN_Rev28



Dear Customer,

Thank you for purchasing the Verilux® CleanWave® Sanitizing Portable Vacuum. You now own an innovative product, manufactured to the highest standards and backed by a one-year limited warranty.

Many other healthy-lighting products are available through our catalog and online. Visit us on the web at www.verilux.com to request a free catalog and learn more about all of our quality Verilux products, or call us toll-free at 1-800-454-4408.

As a Verilux customer, your satisfaction means everything to us. We look forward to serving you now and in the future.

Have a bright day!

A handwritten signature in black ink that reads "Nicholas Harmon". The signature is written in a cursive, flowing style.

Nicholas Harmon
President and Chief Happiness Officer
Verilux, Inc.

Table of Contents

Important Safeguards	4
Introduction	6
What's Included	6
Features	7
Description of Functions	7
Initial Set-up	8
Vacuuming with UV-C	8
Using the Handheld Vacuum Only	8
Mattress / Bedding Cleaning Guidelines	9
Care and Maintenance	10
Cleaning the UV-C Bulb	11
Replacing the UV-C Bulb	12
Component Order Form	13
Warranty Registration	13
Troubleshooting	15
Safety Switches	15
Technical Specifications	15
Warranty	16

READ ALL INSTRUCTIONS BEFORE USING

Important Safeguards

▲ DANGER:

- To avoid electrocution, do not operate this device near water.
- Always direct the UV-C light AWAY from eyes and skin. Direct, prolonged exposure of eyes or skin to the UV-C light bulb can cause serious skin burn and eye inflammation from short-wave ultraviolet radiation.
- Application of UV-C light to existing mold growth can cause respiratory irritation and allergic symptoms. Do not use UV-C light where active mold growth exists. Remove active mold growth from surface prior to exposure. Ultraviolet (UV-C) Radiation Hazard.

▲ WARNING:

- Do not use with power supply voltage other than 120 VAC.
- Using improper voltage may result in damage to the motor and possible injury to the user. The correct voltage is listed on the rating label.
- Do not allow to be used as a toy. Pay close attention when used by or near children.
- Do not handle plug or appliance with wet hands.
- Keep all openings away from your face and body.
- Do not use to vacuum flammable or combustible liquids such as gasoline or use in areas where they may be present.
- Do not touch the UV-C bulb during or directly after use. It will be hot and may burn.
- Do not use with damaged cord or plug. Do not use vacuum if it has been dropped, damaged, left outdoors or dropped in water.
- DO NOT point the vacuum cleaner directly at your or anyone's face.
- For your safety, DO NOT attempt to manually over-ride the safety switch.
- The bulb in this product contains a trace amount of mercury, a chemical known to the state of California to cause birth defects or other reproductive harm. This substance may also cause injury if inhaled or ingested. Dispose of bulbs per local regulations. For more information on clean-up and disposal, see www.epa.gov/cfl.
- No serviceable parts. Refer all servicing to qualified service personnel. Servicing is required when the apparatus is damaged in any way, such as power supply cord or plug is damaged, liquid has been spilled or objects have fallen into the apparatus, the apparatus has been exposed to rain or moisture, does not operate normally or has been dropped.
- Never use this device on pets.
- Allow bulb to cool before replacing.

▲ CAUTION:

- Do not leave appliance when plugged in. Unplug from outlet when not in use and before servicing.
- With prolonged use, UV-C light may degrade, discolor and/or bleach fabrics, plastic and rubber. Do not hold product static over any surface for more than one minute.
- Do not attempt to pick up large or sharp objects, as these may cause damage to the vacuum cleaner.
- Do not use the vacuum cleaner without dust filter in place.
- Use only as described in this manual. Use only with manufacturer's recommended attachments.

▲ CAUTION: — continued

- Do not pull or carry cord, use cord as a handle, close a door on cord or pull cord around sharp edges or corners.
- Do not run vacuum over cord. Keep cord away from heated surfaces.
- Do not unplug by pulling on cord. To unplug, grasp the plug, not the cord.
- Do not put any object into openings. Do not use with any openings blocked. Keep free of dust, lint, hair and anything that may reduce air flow.
- Keep hair, loose clothing, fingers and all body parts away from openings and moving parts.
- Do not vacuum anything that is burning or smoking, such as cigarettes, matches or hot ashes.
- Turn off vacuum before unplugging.
- Use extra care when cleaning on stairs.
- Follow all labels and instructions.
- Store the vacuum cleaner indoors. Put the vacuum cleaner away after use to prevent tripping accidentally.
- Use on dry, indoor surfaces.
- Do not use for any purpose other than described in this manual.
- Always turn off this appliance before connecting or disconnecting the UV-C base unit.
- All repairs must be carried out by a qualified service technician.
- There are a number of safety switches on the underside of the unit. These switches prevent the UV-C bulb from activating when the product is removed from the cleaning surface. The UV-C bulb will re-activate when placed back on a cleaning surface.
- Use only Verilux® bulbs. Use of an incorrect bulb can result in damage. To order a replacement bulb, use the Component Reorder form included with this product, call Verilux Customer Service at 1-800-786-6850 or visit www.verilux.com.

SAVE THESE INSTRUCTIONS

▲ DANGER

Always direct the UV-C light AWAY from eyes and skin. Direct prolonged exposure of eyes or skin to the UV-C light bulb can cause serious skin burn and eye inflammation from short-wave ultraviolet radiation. Radiation from these lamps is harmful to the eyes and skin.

▲ DANGER POTENTIAL MOLD SPORE RELEASE

Application of UV-C light to existing mold growth can cause respiratory irritation and allergic symptoms. Do not use UV-C light where active mold growth exists. Remove active mold growth from surfaces prior to exposure.

Job#: 0.0000	Title: VH07 Bilingual Manual Trim to A5 Size 148x210mm
Date: 05/18/16	Version: VH07_MAN_Rev28

Introduction

Your new Verilux CleanWave Sanitizing Portable Vacuum is both a convenient and powerful handheld vacuum and an easy to use bed vacuum.

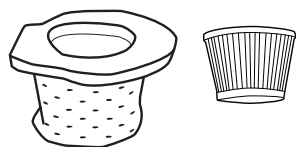
The handheld design makes it a fast and effective anytime, anywhere vacuum.

As a portable vacuum, the combination of powerful suction, UV-C light, and HEPA filtration quickly removes dust and dirt while eliminating up to 99.9% of pests, viruses, bacteria and allergens on household surfaces.*

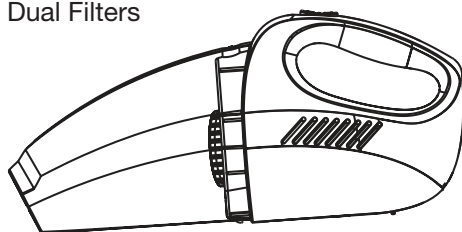
** Tested by United States independent third party laboratories, CleanWave Technology is proven to eliminate up to 99% of germs, viruses, molds and pest eggs on hard surfaces. Based on exposure of UV-C light to bacteria, viruses, molds and pest eggs in the laboratory under controlled conditions on hard surfaces.*

What's Included

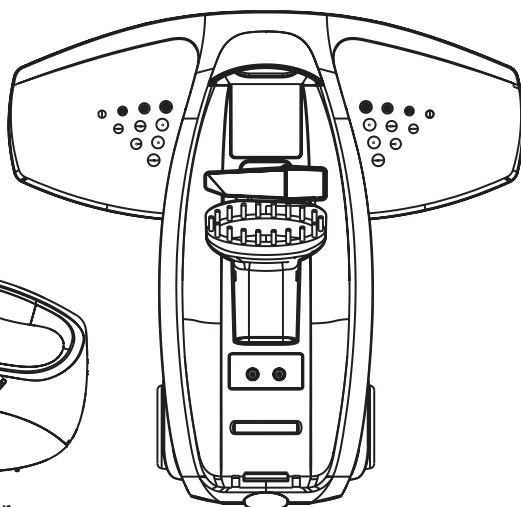
- Instruction manual
- Handheld vacuum cleaner with collection cup and dual filters
- Base unit with UV-C bulb
- Nozzle attachment
- Brush attachment



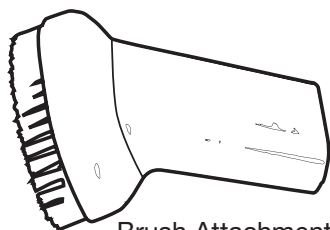
Collection Cup and
Dual Filters



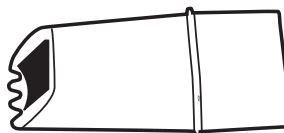
Handheld Vacuum Cleaner



Base Unit with UV-C Bulb



Brush Attachment



Nozzle Attachment

Features

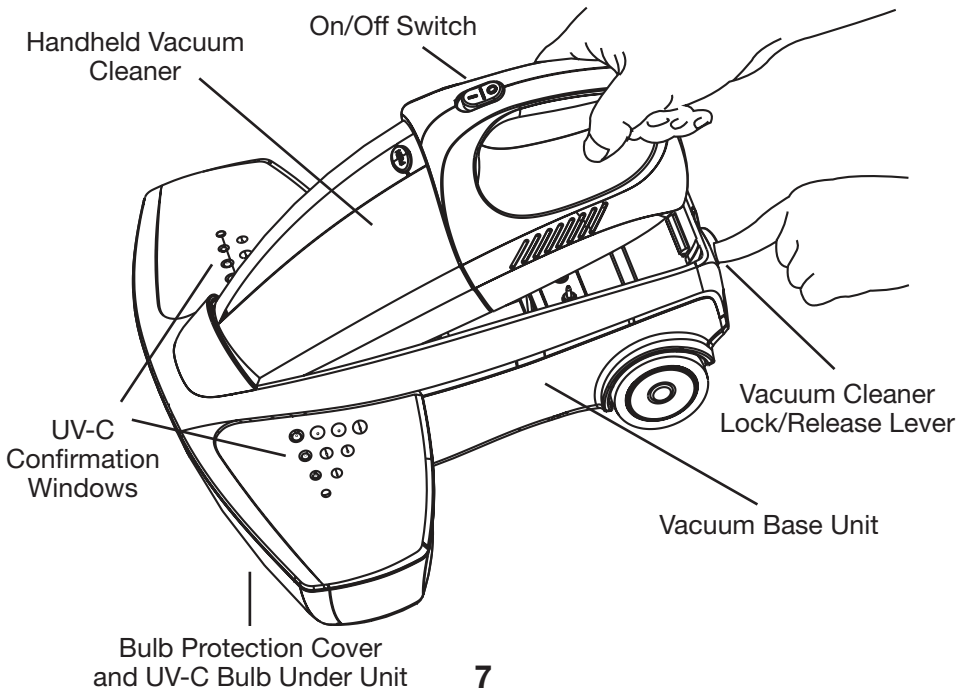
Your new Verilux CleanWave Sanitizing Portable Vacuum features:

- A powerful ultraviolet (UV-C) illumination system that eliminates up to 99.9% of viruses, bacteria, mold, bed bug, dust mite and flea eggs on hard surfaces.*
- Effectively reduces organisms on the surface of porous material such as upholstery, bedding, fabrics, and carpets.†
- Handheld convenience – use as a UV-C vacuum/sanitizing unit or as a handheld vacuum cleaner.
- An easy-to-empty collection cup. No messy bags.
- Dual filters: Micro-fiber filter captures large particles; HEPA filter traps pollen and microscopic allergens* as small as 0.3 microns with 99.97% efficiency. Only clean air is expelled back into the room.

* Tested by United States independent third party laboratories, CleanWave Technology is proven to eliminate up to 99% of germs, viruses, molds and pest eggs on hard surfaces. Based on exposure of UV-C light to bacteria, viruses, molds and pest eggs in the laboratory under controlled conditions on hard surfaces.

† CleanWave Technology has been shown to reduce germs on porous surfaces but effectiveness will vary based on the type of porous surface and soil loading. UV-C effectiveness depends on direct exposure duration and intensity and must shine on organism to be effective. In the event of bed bug infestation, a qualified pest exterminator should be contacted.

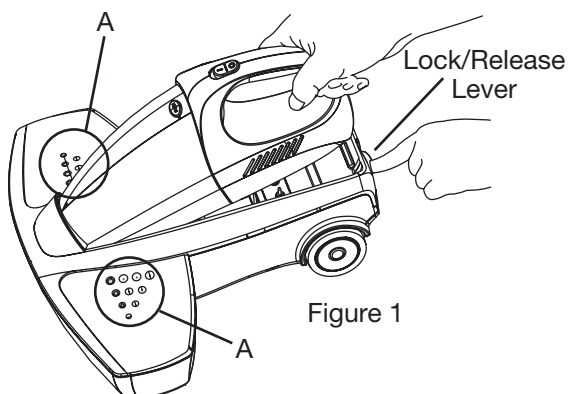
Description of Functions



Initial Set-up

Vacuumping with UV-C

1. Attach the vacuum cleaner to the base unit by inserting it into the base unit and then pressing the rear down firmly. Press lever down when docking vacuum. Then pull up until lever clicks **twice** to lock. (See Figure 1.)
2. Turn on the cleaner using the on/off switch.



The UV-C bulb will turn on when the UV-C safety switch is in contact with the surface to be cleaned. You can confirm that the UV-C light is on by checking the confirmation windows on the top of the unit (A).

Avoid vacuuming fine dust, such as cement and plaster, as this will block the filters. If fine dust is picked up, the filters, collection cup and tools must be thoroughly cleaned immediately after use.

⚠ DANGER: Always direct the UV-C light AWAY from eyes and skin. Direct prolonged exposure of eyes or skin to the UV-C light bulb can cause serious skin burn and eye inflammation from short-wave ultraviolet radiation. Radiation from these lamps is harmful to the eyes and skin.

⚠ CAUTION: Do not manually override the safety switches.

⚠ CAUTION: Do not attempt to pick up large or sharp objects, as these may cause damage to the vacuum cleaner.

Using the Handheld Vacuum Only

1. Turn the cleaner off using the on/off switch.
2. To remove the cleaner from the base, press the lever at the rear of the vacuum base. (See Figure 1.)
3. Lift the handheld vacuum from the base.

Certain tasks may require the use of the nozzle or brush attachments. These tools are stored in the base unit. (See Figure 2.)

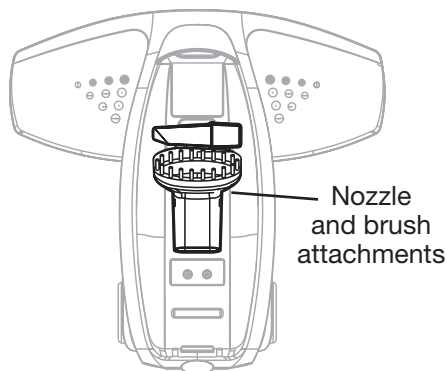


Figure 2

Mattress / Bedding Cleaning Guidelines

In order for the UV-C light to be fully effective against bacteria and other pathogens, the area to be cleaned must be exposed for a sufficient time.

We suggest these guidelines:

- Start in one corner of the bed.
- Keep the vacuum flat against the mattress.
- Move the vacuum in a smooth and steady motion.
- To make sure that every part of the mattress is exposed, follow a predetermined pattern.
- With double (or larger) beds, clean one side of the bed at a time.
- If possible, clean both sides of the mattress.
- With a used mattress, clean on a daily basis for seven days, then as much as once a week, at least once a month. With a new mattress, once a month cleaning is usually sufficient.
- If cleaning carpets using the UV-C head, follow a similar procedure.

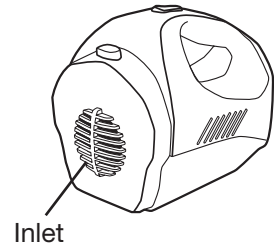
Job#: 0.0000	Title: VH07 Bilingual Manual Trim to A5 Size 148x210mm
Date: 05/18/16	Version: VH07_MAN_Rev28

Care and Maintenance

Cleaning the Inlet

If dust is blocking the inlet, completely remove the foreign materials – after first turning OFF the vacuum.

A blocked inlet may result in weakened suction and increased noise. If the inlet is blocked, there is also a risk of damage or malfunction caused by overheating.



Emptying the Collection Cup

1. Disconnect the handheld vacuum cleaner from the base unit by pressing the release lever at the rear of the base unit and lifting up.
2. Press the collection cup lock button to release the collection cup from the vacuum. (See Figure 3.)
3. Carefully pull the filter assembly outward and remove. (See Figure 4.)
4. Empty the cup.

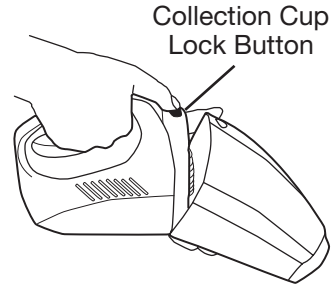


Figure 3

Cleaning the Filters

5. Unlock the outer filter by twisting it slightly to the right, clockwise. (See Figure 5.)
6. Remove the outer filter by pulling it away from the main casing.
7. Pull out the inner filter to remove.
8. The filters should be cleaned every time the collection cup is emptied by tapping them on the side of the collection cup to release trapped dust.
9. Wash both filters in lukewarm water on a regular basis.
10. Make sure the filters are completely dry before reassembly.
11. Reassemble in the reverse order.

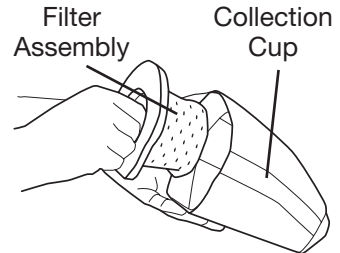


Figure 4

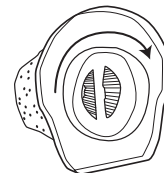
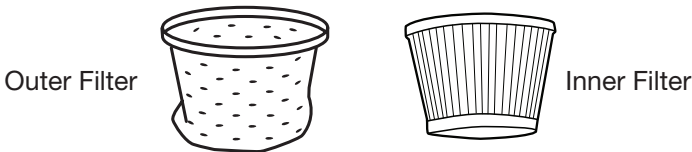


Figure 5



Care and Maintenance — continued

Avoiding Exposure to Dust

When emptying any vacuum cleaner, it is difficult to avoid exposure to dust. If you are an allergy sufferer or are sensitive to dust, you can minimize this risk:

1. Place the collection cup in a large bag, and close the bag as tightly as possible around the cup before emptying it.
2. Remove the collection cup, close the bag tightly and dispose of immediately.

You might also consider wearing disposable gloves and a facemask while emptying the collection cup. Or, ask a non-allergy sufferer to empty the cup when required.

It is important to empty the collection cup and clean the filters regularly. If this is not done, the cleaner will lose its effectiveness.

We recommend you empty and clean the vacuum after each use.

Cleaning the UV-C Bulb

During use, dust may collect on the protective cover and the UV-C bulb, which will reduce the effectiveness of the UV-C light. For maximum UV-C exposure, clean the bulb periodically.

1. Turn off the vacuum prior to cleaning the bulb. Detach the protective grill on the bottom of the base unit by gently pulling up on the two tabs at the back of the covering. (See Figure 6.) Set the cover aside and wait for bulb to cool.
2. Using a soft lint-free cloth, carefully remove any dust from the protective cover and the UV-C bulb. (See Figure 7.)
3. Replace the protective cover by aligning it, pressing on the rear tabs to snap them into position and finally pressing down the front of the cover, which will click into place.

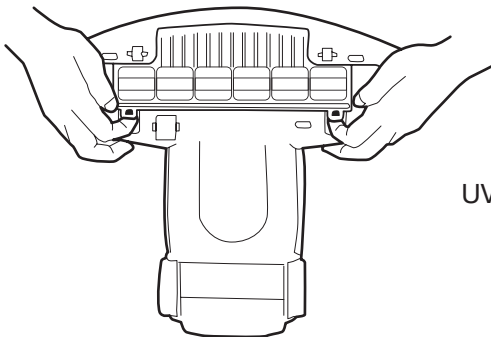


Figure 6

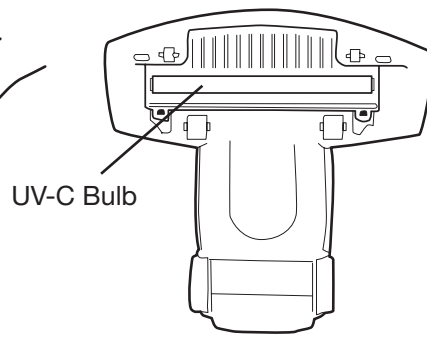


Figure 7

Replacing the UV-C Bulb

Before replacing the bulb, make sure the vacuum cleaner is switched off and unplugged from the power outlet.

Under normal use, the life of the UV-C bulb is two to three years, but for optimal performance, replace it once a year.

▲ CAUTION: Use only Verilux bulbs. Use of an incorrect bulb can result in damage. To order a replacement bulb, use the Component Reorder form included with this product, call Verilux Customer Service at 1-800-786-6850 or visit www.verilux.com.

1. Detach the protective grill on the bottom of the base unit by pulling up the two tabs at the back of the covering. Set the cover aside. (See Figure 8.)
2. Remove the two plastic pieces that cover the ends of the UV-C bulb.
3. Unscrew the screws surrounding the protective housing.
4. Using a small pair of needle-nosed pliers at one end of the bulb, rotate the bulb 90 degrees and remove. (See Figure 9.)

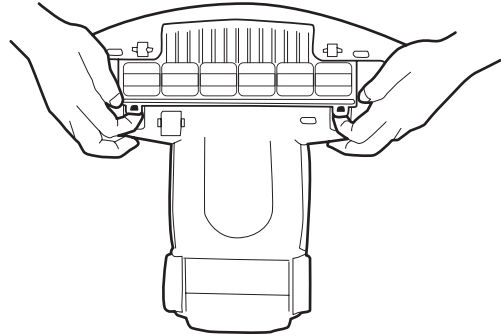


Figure 8

Note: The UV-C bulb is housed in a glass sleeve to protect it from accidental damage. Remove the old bulb from this sleeve before disposal.

5. Insert the new bulb into the protective sleeve and place back into unit being careful not to handle the new bulb, as fingerprints on the bulb are undesirable. Rotate the bulb by 90 degrees to secure.
6. Relocate the protective housing and tighten all screws.
7. Relocate the protective grill and snap back into place.

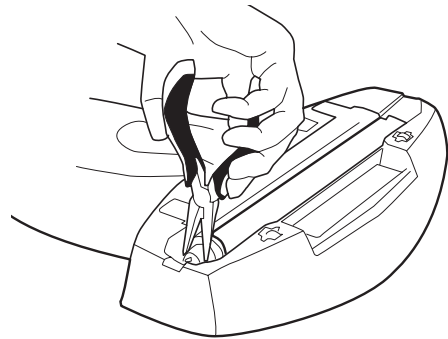


Figure 9

▲ WARNING: The bulb in this product contains a trace amount of mercury, a chemical known to the state of California to cause birth defects or other reproductive harm. This substance may also cause injury if inhaled or ingested. Dispose of bulbs per local regulations. For more information on clean-up and disposal, see www.epa.gov/cfl.

Component Order Form

Order Online at www.verilux.com

Mail or Fax your order by using this form to: Verilux, Inc., 340 Mad River Park, Waitsfield, VT 05673
Fax: 802-496-3105

Quantity	Price	Order Code	Product
	\$24.95	VH07RB1	Verilux UV-C Light Replacement Bulb for VH07
	\$9.95	VH07RF1	VH07 Replacement Filter Set
	\$6.95	Shipping & Handling	
		Subtotal	
		Residents of VT, add 6% Sales Tax; of CT, add 6.35%; of MN, add 6.875%; and of CA, add 7.5%	
		Total Payment Enclosed	

Payment Method:

VISA MASTERCARD DISCOVER AMERICAN EXPRESS CHECK

Name as it Appears on Card _____

Credit Card Number _____

Expiration Date _____

Security Code (from back of card) _____

Authorized Signature (credit card purchasers ONLY) _____

Ship-to Address _____

Phone Number _____

Email Address _____

Cut Along Dashed Line

Warranty Registration

Thank you for purchasing this Verilux product. For your warranty to be valid, complete and mail this Warranty Registration in a timely manner. Or, **you can register your product online at www.verilux.com/warranty.**

Name _____

Address _____

Phone Number _____

Email Address: _____

Model # _____

Date of Purchase (Month/Day/Year) _____

Please cut out form and send to:
Or register online at www.verilux.com/warranty

VERILUX INC
PO BOX 451006
OMAHA NE 68145-5006

Job#: 0.0000	Title: VH07 Bilingual Manual Trim to A5 Size 148x210mm
Date: 05/18/16	Version: VH07_MAN_Rev28

In Love with the Light?

The benefits of Verilux lighting are available in a range of products — all designed to help you live **life in a better light**:

■ **Get Back to Being You**

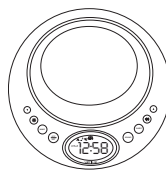
Products to Improve Skin, Mood, Energy and Well Being

■ **Productivity Lighting**

Lamps that Use Natural Spectrum Light so You Can Read, Task, Work and Excel

■ **Fix Your Fixtures**

Natural Spectrum Bulbs and Tubes to Illuminate Your Home, Work and Life



Rise & Shine® Serenity Natural Alarm Clock and Sleep System



Heritage™ Deluxe Natural Spectrum® Desk Lamp



A wide assortment of Natural Spectrum Bulbs and Tubes for all over your home

For more information, to order, or to find a retailer near you, visit us at www.verilux.com or call 1-800-786-6850.

Troubleshooting

Poor Suction

The filter may be blocked.

- Remove and clean the filter.

The collection cup may be full.

- Empty collection cup.

UV-C Light is Not Illuminated

Vacuum cleaner may not be fitted to base unit correctly.

- Ensure the cleaner is securely locked into position.

Safety switch may not be depressed or sensors not covered.

- Sensor switches only operate when the base is level and in contact with the surface being cleaned.

Safety Switches

The UV-C light will turn on only when the vacuum cleaner is facing downward and in contact with the surface being cleaned.

On the bottom of the base unit, there is a pressure-sensitive wheel. The wheel is activated when it contacts a cleaning surface.

Three additional sensors must also be covered for the UV-C bulb to work.

Do not manually override the pressure-sensitive wheel or cover the sensors.

Technical Specifications

Environment

Operating Temperature: 10–40°C (50–104°F)

Storage Temperature: 0–60°C (32–140°F)

Relative Humidity: 10–90% non-condensing

UV-C Bulb

8-watt UV-C bulb (replace with Verilux Model Number VH07RB1 only)

UV-C Peak Wavelength

254 nanometers

Power

Input Power: 120 VAC, 60 Hz, 400 watts

Weight

5 lbs./2.27kg

One-Year Limited Warranty

ATTENTION! ONCE OPENED, PLEASE **DO NOT** RETURN THIS PRODUCT TO THE STORE WHERE IT WAS PURCHASED FOR REPAIR OR REPLACEMENT!

Many questions can be answered by visiting www.verilux.com, or you may call our Customer Service Department at 800-786-6850 during normal business hours.

This limited warranty is provided by Verilux, Inc., 340 Mad River Park, Waitsfield, VT 05673

Verilux warrants this product to be free from defects in material and workmanship for a period of one year from the date of the original retail purchase from Verilux or an authorized Verilux distributor. **Proof of purchase is required for all warranty claims.** During the limited warranty period, Verilux Inc., will, at its option, repair or replace defective parts of this product, at no charge to the customer, subject to these limitations: This limited warranty does not include any postage, freight, handling, insurance or delivery fees. This warranty does not cover damage, defect or failure caused by or resulting from accident, external destruction, alteration, modification, abuse, misuse or misapplication of this product.

This warranty does not cover damage to the product resulting from return shipping or handling. Verilux recommends purchasing shipping insurance to protect your investment.

Return Authorization is required for all returns. To obtain a Return Authorization, please contact the Verilux Customer Service Department at 800-786-6850.

If, during the first year of ownership, this product fails to operate properly, it should be returned as specified at www.verilux.com/warrantyreplacement or as instructed by a Verilux customer service representative at 800-786-6850.

Note: *Verilux recommends using a quality surge suppressor on all electronics equipment. Voltage variations and spikes can damage electronic components in any system. A quality suppressor can eliminate the vast majority of failures attributed to surges. One may be purchased at electronics stores.*

Due to ongoing improvements, actual product may have slight variations from the one described in this manual.

Please visit our web site at: www.verilux.com or call

1-800-786-6850

Representatives are available Monday – Friday 9:00a.m to 5:00p.m. EST

verilux[®]
The Healthy Lighting Company[®] Est. 1956

340 Mad River Park, Waitsfield, VT 05673

Made in China

Printed in China for Verilux, Inc.

© Copyright 2016 Verilux, Inc. All rights reserved.