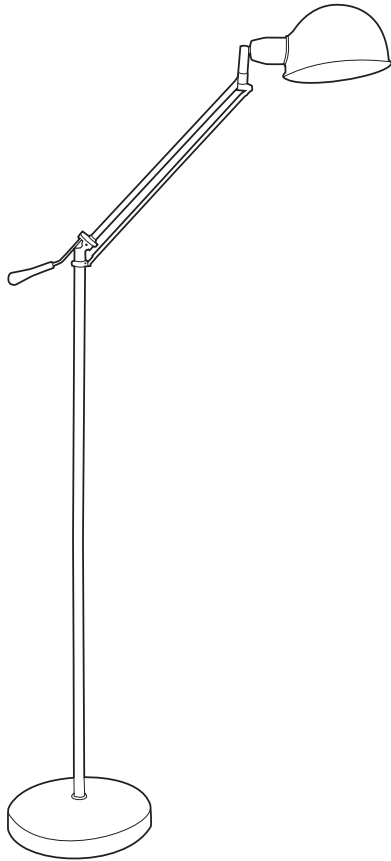


verilux[®]
The Healthy Lighting Company[®] Est. 1956



Brookfield[™] | Deluxe
Natural Spectrum[®] Floor Lamp

Model: VF08

READ ALL INSTRUCTIONS BEFORE USING

Important Safeguards

⚠ DANGER:

- To avoid electrocution, do not operate this lamp near water.

⚠ WARNING:

- Do not use with power supply voltage other than 120 VAC.
- Do not defeat the safety purpose of the polarized plug. A polarized plug has two blades with one wider than the other. The wider blade is provided for your safety. If the provided plug does not fit into your outlet, consult an electrician for replacement of the obsolete outlet.
- Never cover the lamp or place anything on top of it when it is in operation.
- To prevent risk of shock or personal injury when cleaning this lamp, make sure you have turned it off and unplugged it. Allow sufficient time for the bulb to cool.
- **Choking Hazard:** This lamp contains small parts. Close supervision is recommended when this lamp is used by or near children or by others who may not understand the need for these precautions.
- Light bulbs get hot quickly! Do not touch the bulb while the lamp is on.
- Do not cut or shorten the power cord.
- Do not operate lamp without ballast cover in place.
- Some people may experience light sensitivity to fluorescent lighting. Discontinue use if you experience any discomfort.
- Certain medications may induce light sensitivity (e.g., anti-depressants) which may result in discomfort or a level of hyperactivity. Consult with your health care provider before using this product.
- If you have a pre-existing eye condition, consult with your health care provider before using this product.
- This bulb contains a trace amount of mercury. For more information on clean-up and disposal, see www.epa.gov/cfl.
- This product contains a chemical known to the State of California to cause birth defects or other reproductive harm.

Important Safeguards — continued

CAUTION:

- For indoor use only.
- Always unplug lamp before performing bulb replacement or installation and allow for sufficient time for the bulb to cool.
- This lamp is not for use with light dimmers, timers, motion detectors, voltage transformers, or extension cords.
- This product may cause interference with radios, cordless telephones, or devices that use a wireless remote control, such as televisions. If interference occurs, move the product away from the device, plug the product or device into a different outlet, or move the lamp out of the line of sight of the remote control receiver.
- Unplug lamp during lightning storms or when not used for extended periods of time.
- Avoid placing this lamp in areas exposed to direct sunlight or close to heat-radiating products such as heaters.
- Lift the lamp by the shaft, not the lamp arm.
- Protect the power cord from being walked on or pinched, particularly at plugs, convenience receptacles, and the point where the power cord exits the lamp.
- Do not operate this lamp if it has been damaged in any way; for example, if the power supply cord or plug has been damaged, liquid has been spilled on or objects have fallen into the lamp, it has been exposed to rain or other moisture, it has been dropped, or if it does not operate normally.
- Do not dismantle. There are no user-serviceable parts in this lamp.
- Avoid placing lamp in areas that are dusty, humid/moist, lack ventilation, or are subject to constant vibration.
- Use only the type of bulb and maximum wattage indicated by Verilux.
- To clean this lamp, do not use solvents or cleaners containing abrasives or ammonia.
- Properly wipe away and dry all moisture prior to restoring power.
- Do NOT use a lubricating agent in assembly. See troubleshooting section if you are having difficulty assembling your lamp.
- Disconnect lamp before performing any alignment.

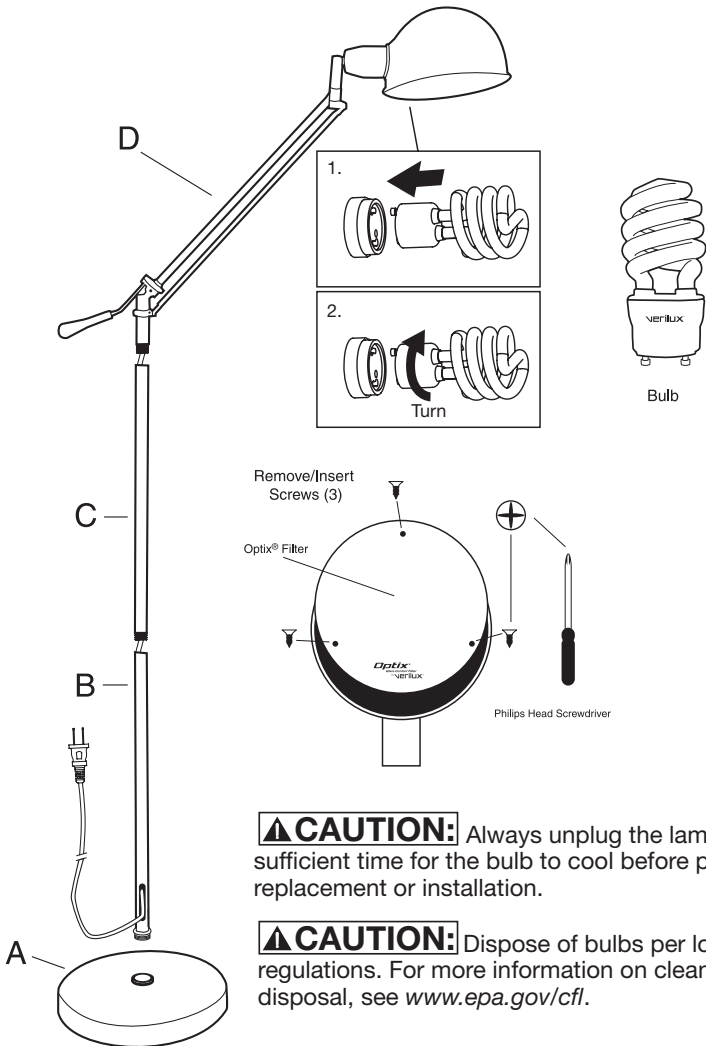
SAVE THESE INSTRUCTIONS

Assembly Instructions

Before assembling your lamp, please review all instructions.

1. Carefully open box to avoid damaging the lamp when using a sharp knife.
2. Remove lamp and lay it on the floor.
Use page 5 as a reference when completing these remaining assembly steps.
3. Screw shaft (B) into the base (A) and hand tighten.
4. Next, screw shaft section (C) into shaft (B) and hand tighten.
5. Finally, screw the lamp upper assembly (D) into assembled lamp post (A,B,C) and tighten.
6. Using a Phillips screwdriver, carefully unscrew the three screws holding the Optix® Glare-Control Filter in place. Remove the filter. Save it and the three screws for later.
7. Carefully insert the GU-24 Natural Spectrum bulb (included) into the lamp by firmly holding bulb base and pushing down and rotating slightly in a clockwise direction to seat properly. *Note: Make sure bulb is fully inserted into the socket. The bottom of the bulb base should touch the plastic housing of the lamp.*
8. Place Optix filter on lip of inner shade cup, align holes, and tighten one Phillips screw. Insert the two remaining screws and tighten. **DO NOT OVERTIGHTEN.**
9. Plug lamp into an appropriate outlet and turn on the switch.
10. Adjust height for optimum illumination.
11. Save the packaging in case you need to send the lamp to Verilux for servicing.

Assembly Instructions – continued



⚠ CAUTION: Always unplug the lamp and allow sufficient time for the bulb to cool before performing bulb replacement or installation.

⚠ CAUTION: Dispose of bulbs per local regulations. For more information on clean-up and disposal, see www.epa.gov/cfl.

In Love with the Light?

The benefits of Verilux lighting are available in a range of products — all designed to help you live **life in a better light**:

■ Get Back to Being You

Products to improve your mood, energy, and well-being

■ Don't Clean. Sanitize.

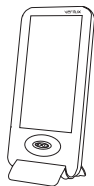
Wands and vacuums that use UV-C rays to banish germs, odors, and other nasties

■ Productivity Lighting

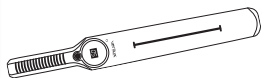
Lamps that use Natural Spectrum light so you can read, task, work, and excel

■ Fix Your Fixtures

Natural Spectrum bulbs and tubes to illuminate your home, work, and life



HappyLight Liberty 10K
Energy Lamp



CleanWave®
Sanitizing Wand



Heritage™ Deluxe
Natural Spectrum®
Desk Lamp



A wide assortment
of Natural Spectrum
Bulbs and Tubes —
CFL and LED — for
for all over your home

For more information, to order, or to find a retailer near you, visit us at www.verilux.com or call 1-800-786-6850.

Component Order Form

Order online at www.verilux.com/replacement-bulb. Or,
mail or FAX your order by using this form to: Verilux, Inc., 340 Mad River Park, Waitsfield, VT 05673
Fax: 802-496-3105

Quantity	Price	Order Code	Product
	\$14.95	CFS26GU24VLX	26-watt Natural Spectrum® Bulb
	\$6.95	Shipping & Handling	
		Subtotal	
		Residents of VT, add 6% Sales Tax; of CT, add 6.35%; of MN, add 6.875%; and of CA, add 7.5%	
		Total Payment Enclosed	

Payment Method:

VISA MASTERCARD DISCOVER AMERICAN EXPRESS CHECK

Name as it appears on card _____

Credit Card Number _____

Expiration Date _____

Security Code (from back of card) _____

Authorized Signature (credit card purchasers ONLY) _____

Ship to Address _____

Phone Number _____

Email Address _____

Warranty Registration

Thank you for purchasing this Verilux lamp. For your warranty to be valid, complete and mail this Warranty Registration in a timely manner. Or, you can register your product online at www.verilux.com/warranty.

Name _____

Address _____

Phone Number _____

Email Address: _____

Model # _____

Date of Purchase (Month/Day/Year) _____

Please cut out form and send to:
Or register online at www.verilux.com/warranty

VERILUX INC
PO BOX 451006
OMAHA NE 68145-5006

Troubleshooting

Before requesting service on your Verilux lamp, please make sure:

- all power connectors, cords, and plugs are inserted fully and securely.
- the bulb is securely seated into the socket. (See pp. 4-5.)
- there is power to the wall outlet, or try another one.

PROBLEM	CHECK	SOLUTION
Light Won't Come On	Has the plug come loose?	Insert plug securely into wall outlet.
	Is the bulb old?	Check bulb for blackening/darkening at bottom of spiral where it joins the base (an indicator of bulb life) and replace bulb.
	Is the bulb connected securely into socket?	Be sure the bulb is securely seated in the socket. Repeat the bulb installation process. ⚠CAUTION: Always unplug lamp before performing bulb replacement or installation.
Blackening/Darkening at Ends of Bulb	Is the bulb new?	Sometimes when a new bulb is turned on for the first time, the tubing will darken, but this will fade after a few minutes.
	Is the bulb old?	With older bulbs, darkening of the tubing indicates end of bulb life. (This doesn't affect operation except to reduce the amount of light available, since the phosphor in that area has become inactive.) Bulb replacement is recommended.
Light Flickers	Has the plug come loose?	Insert plug securely into wall outlet.
	Is the bulb connected securely to the socket?	Be sure the bulb is securely seated into the socket. Repeat the bulb installation process. ⚠CAUTION: Always unplug lamp before performing bulb replacement or installation.
	Is the lamp connected to a dimmer switch?	Connect lamp plug only to wall outlet without dimmer switch.

Care and Cleaning

Your lamp is made from high-quality materials that will last for many years with minimum care. You may want to periodically clean the lamp using a mild non-abrasive cleaner and soft cloth. When cleaning, make sure you have turned off and unplugged the lamp and allowed sufficient time for the bulb to cool.

⚠CAUTION: Do not use ammonia-based cleaners or solvents that contain abrasives.

⚠CAUTION: After cleaning the lamp, properly wipe away and dry all moisture before restoring power.

Natural Spectrum and Productivity

When it comes to maximizing work, study, or task time, a Verilux lamp is the perfect partner. It uses Natural Spectrum light that replicates key beneficial wavelengths of natural daylight to help you read faster with greater comprehension, work longer without eyestrain, and improve productivity and focus.

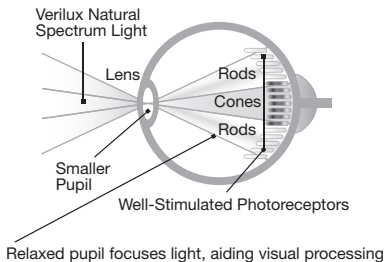
Research using Verilux Natural Spectrum light and comparable lighting in school and work settings resulted in significantly greater visual acuity, enhancing student performance and worker productivity when compared to other light sources.

Natural Spectrum light is the result of more than 50 years of research to build lighting that meets the needs of the human eye. At home, college, or office, your Verilux lamp is the perfect productivity partner.

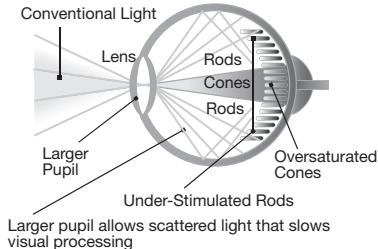
Shedding Light on Natural Spectrum

Verilux Natural Spectrum light illuminates in the broader scotopic range to better stimulate the cones and rods (photoreceptors) of the eye. This enhanced stimulation improves visual performance by reducing the size of the pupil to better focus light, relaxing the eye while increasing visual acuity and processing.

Natural Spectrum® Light



Conventional Light



One-Year Limited Warranty

ATTENTION! ONCE OPENED, PLEASE **DO NOT** RETURN THIS PRODUCT TO THE STORE WHERE IT WAS PURCHASED FOR REPAIR OR REPLACEMENT!

Many questions may be answered by visiting www.verilux.com, or you may call our Customer Service Department at 800-786-6850 during normal business hours.

This limited warranty is provided by Verilux, Inc., 340 Mad River Park, Waitsfield, VT 05673

Verilux warrants this product to be free from defects in material and workmanship for a period of one year from the date of the original retail purchase from Verilux or an authorized Verilux distributor. **Proof of purchase is required for all warranty claims.** During the limited warranty period, Verilux Inc., will, at its option, repair or replace defective parts of this product, at no charge to the customer, subject to these limitations: This limited warranty does not include any postage, freight, handling, insurance, or delivery fees. This warranty does not cover damage, defect or failure caused by or resulting from accident, external destruction, alteration, modification, abuse, misuse, or misapplication of this product.

This warranty does not cover damage to the product resulting from return shipping or handling. Verilux recommends purchasing shipping insurance to protect your investment.

Return Authorization is required for all returns. To obtain a Return Authorization, please contact the Verilux Customer Service Department at 800-786-6850.

If, during the first year of ownership, this product fails to operate properly, it should be returned as specified at www.verilux.com/warrantyreplacement or as instructed by a Verilux customer service representative at 800-786-6850.

Note: *Verilux recommends using a quality surge suppressor on all electronics equipment. Voltage variations and spikes can damage electronic components in any system. A quality suppressor can eliminate the vast majority of failures attributed to surges and may be purchased at electronics stores.*

Due to ongoing improvements, actual product may have slight variations from the one described in this manual.

Please visit our web site at: www.verilux.com or call

1-800-786-6850

Representatives are available Monday — Friday 9:00a.m to 5:00p.m. EST

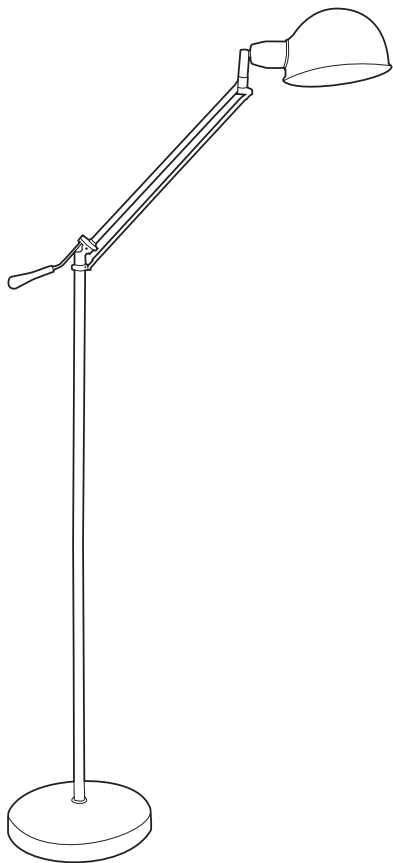
verilux®

340 Mad River Park, Waitsfield, VT 05673

Replacement Parts

Shop online at www.verilux.com or call Customer Service at 1-800-454-4408.

verilux[®]
The Healthy Lighting Company[™] Est. 1956



Brookfield[™] | Deluxe

Lampe de Plancher Natural Spectrum^{MD}

Modèle: VF08

Précautions importantes

▲ DANGER:

- Pour éviter l'électrocution, ne pas opérer cette lampe à proximité d'eau.

▲ MISE EN GARDE:

- Ne pas utiliser une tension d'alimentation autre que 120 volts c.a.
- Ne pas altérer l'objectif de sécurité de la fiche polarisée. Une fiche polarisée comporte deux broches dont l'une d'elles est plus large que l'autre. La plus large broche est conçue pour votre sécurité. Si la fiche fournie ne convient pas à votre prise d'alimentation, communiquer avec un électricien afin de remplacer la prise déshuée.
- Afin de prévenir les risques de décharge électrique ou les blessures corporelles lors du nettoyage de ces lampes, s'assurer de les éteindre et de les débrancher puis de permettre suffisamment de temps afin que les ampoules refroidissent.
- Ne pas faire fonctionner une lampe à proximité de vapeurs inflammables ou combustibles, comme des produits en aérosol ou lorsque de l'oxygène est administré.
- Ne pas couper ni raccourcir le cordon d'alimentation.
- L'ampoule dans ce produit contient une petite quantité de mercure. Pour plus de détails sur le nettoyage et l'élimination, visitez le site Web www.epa.gov/cfl.
- Ce produit contient un produit chimique reconnu par l'État de la Californie pour causer des malformations congénitales ou d'autres problèmes de reproduction.
- Certaines personnes peuvent ressentir une sensibilité à la lumière produite par un éclairage fluorescent. Cesser l'utilisation si vous éprouvez des malaises.
- Certains médicaments peuvent induire une sensibilité à la lumière (par exemple, antidépresseurs), lesquels peuvent causer des malaises ou un niveau d'hyperactivité. Consultez votre fournisseur de soins de santé avant l'utilisation de ce produit.
- Si vous avez une condition oculaire préexistante, consultez votre fournisseur de soins de santé avant l'utilisation de ce produit.
- Ne jamais couvrir la lampe ou placer quelque chose dessus lorsqu'elle est en marche.

Précautions importantes — suite

⚠ ATTENTION :

- Pour un usage à l'intérieur seulement.
- Toujours débrancher la lampe puis permettre suffisamment de temps afin que l'ampoule refroidisse avant de remplacer l'ampoule ou avant son installation.
- Cette lampe n'est pas destinée à une utilisation avec les gradateurs, les minuteries, les détecteurs de mouvement, les transformateurs de tension, et les rallonges.
- Ce produit peut provoquer des interférences avec les radios, les téléphones sans fil ou les dispositifs utilisant des commandes à distance comme les télévisions. Si de telles interférences se produisent, éloigner le produit du dispositif, brancher le produit ou dispositif dans une prise d'alimentation sur un circuit différent, ou déplacer la lampe hors de la ligne de mire du récepteur de la commande à distance.
- Si cette lampe a été endommagée de quelque façon que ce soit, par exemple, le cordon d'alimentation ou la fiche ont été endommagés, du liquide a été déversé ou des objets sont tombés sur la lampe, la lampe a été exposée à la pluie ou à l'humidité, la lampe ne fonctionne pas normalement ou elle est tombée, elle ne devrait pas être utilisée. Il n'y a aucune pièce réparable dans cette lampe.
- Débrancher la lampe lors d'orages ou lorsqu'elle n'est pas utilisée pendant des périodes prolongées.
- Éviter de placer la lampe dans des endroits qui sont poussiéreux, humides, manquant de ventilation, ou faisant l'objet d'une vibration constante.
- Éviter de placer la lampe dans des endroits exposés aux rayons directs du soleil ou à proximité de sources de rayonnement de chaleur comme les appareils de chauffage.
- Ne pas utiliser des ampoules de type et de tension maximale autres que ceux indiqués par Verilux.
- Protéger le cordon d'alimentation afin qu'il ne soit pas piétiné ou coincé, en particulier au niveau de la fiche, de la prise, et de la sortie de la lampe.
- Ne pas soulever la lampe par le col de cygne. Il faut la soulever par la tige.
- Ne pas utiliser des solvants ou nettoyeurs contenant des abrasifs ou des nettoyeurs à base d'ammoniaque sur ce produit.
- Après le nettoyage de la lampe, toute humidité devrait être bien essuyée et séchée avant de rétablir l'alimentation.
- NE PAS utiliser des agents de lubrification lors de l'assemblage; veuillez vous reporter à la section de dépannage si vous éprouvez de la difficulté dans l'assemblage de la lampe.
- Pour éviter d'endommager la lampe, ne pas positionner la tête d'une manière qui compromet la stabilité de la lampe ou le rend incapable de rester debout.

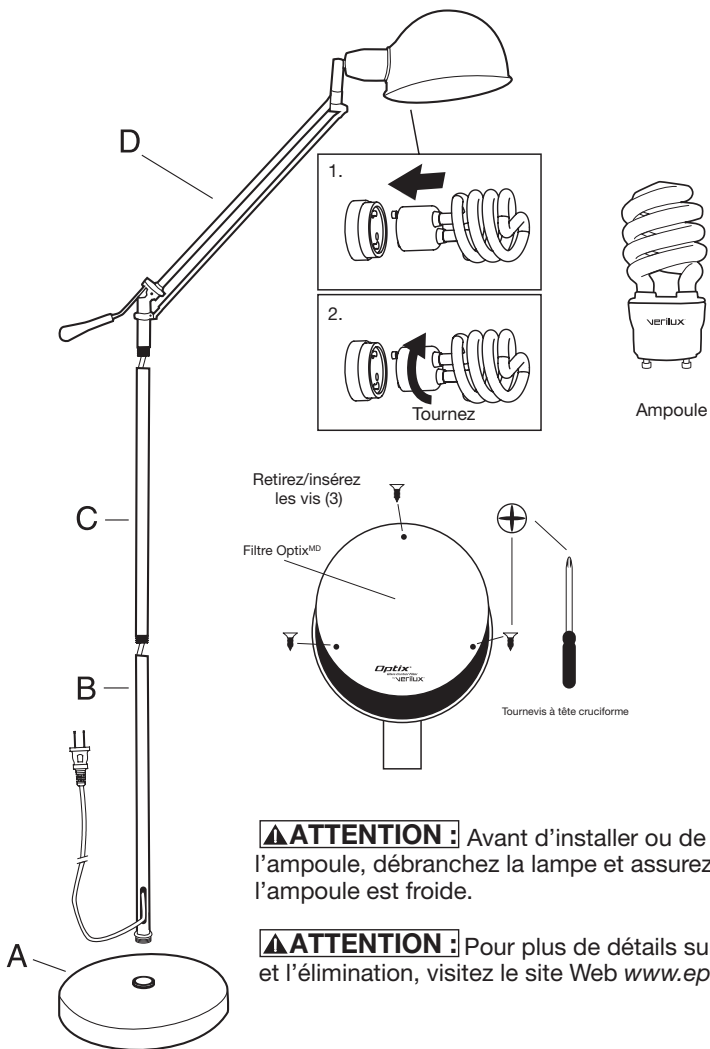
CONSERVEZ CES INSTRUCTIONS

Instructions d'assemblage

Avant d'assembler la lampe, veuillez lire toutes les instructions et consulter le schéma de la lampe à la page 5.

1. Ouvrez délicatement la boîte pour éviter d'endommager la lampe si vous utilisez un couteau tranchant.
2. Sortez la lampe et déposez-la sur le plancher.
3. Vissez et serrez à main l'arbre (B) dans la base (A).
4. Ensuite, vissez et serrez à main la partie (C) dans l'arbre.
5. Finalement, vissez l'assemblage supérieur de la lampe (D) dans l'arbre de la lampe (A, B et C) et serrez.
6. Avec un tournevis à tête cruciforme, dévissez soigneusement les trois vis maintenant le filtre antireflet Optix^{MD} en place. Retirez le filtre et conservez-le à portée de main.
7. Insérez soigneusement l'ampoule Natural Spectrum^{MD} GU24 (fournie) dans la lampe en tenant fermement la base de l'ampoule, poussez-la vers le bas puis tournez-la légèrement vers la droite afin qu'elle s'assoie correctement. *Remarque : Assurez-vous que l'ampoule est complètement insérée dans la douille. La partie inférieure de la base de l'ampoule doit toucher au boîtier en plastique de la lampe.*
8. Installez le filtre Optix sur la lèvre de la partie en forme de tasse, alignez avec les trous et serrez la vis de la tête avec un tournevis à tête cruciforme. Insérez les deux autres vis et serrez-les. **NE SERREZ PAS EXCESSIVEMENT.**
9. Branchez la lampe dans une prise de courant adéquate et utilisez l'interrupteur pour l'allumer.
10. Ajustez la hauteur afin d'obtenir une luminosité optimale.
11. Conservez l'emballage au cas où il serait nécessaire de retourner la lampe à réparer à Verilux.

Instructions d'assemblage – suite



⚠ ATTENTION : Avant d'installer ou de remplacer l'ampoule, débranchez la lampe et assurez-vous que l'ampoule est froide.

⚠ ATTENTION : Pour plus de détails sur le nettoyage et l'élimination, visitez le site Web www.epa.gov/cfl.

En amour avec la lumière?

Plusieurs produits offrant les avantages de la luminothérapie à spectre naturel vous sont proposés - tous conçus pour vous aider à vivre **sous un meilleur éclairage** :

■ Synchronisez votre horloge biologique!

Produits pour améliorer votre humeur, énergie, et bien-être

■ Faites plus que nettoyer... Désinfectez!

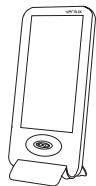
Lances et aspirateurs utilisant les rayons UVC pour détruire les germes, éliminer les odeurs et autres éléments désagréables

■ Lampes de Productivité

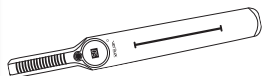
Des lampes à spectre naturel pour vous aider à lire, accomplir les tâches, travailler, et exceller . . . naturellement

■ Réparez vos luminaires

Ampoules et tubes à spectre naturel pour illuminer votre maison, vos travaux, et votre vie



Lampe d'énergie
HappyLight Liberty 10K



CleanWave® Baguette
Désinfectante



Heritage™ Deluxe
Natural Spectrum®
Lampe de Bureau



Une grande variété d'ampoules et de tubes à spectre naturel est offerte pour chaque pièce de la maison

Visitez-nous au www.verilux.com ou appelez-nous au 1-800-786-6850 pour en savoir plus, pour commander, ou pour trouver un détaillant près de chez vous.

Formulaire de commande pour composant

Commander en ligne à www.verilux.com/replacement_bulb. Ou, postez ou télécopiez votre commande en utilisant ce formulaire à : Verilux, Inc., 340 Mad River Park, Waitsfield, VT 05673
Télécopieur : 802-496-3105

Quantité	Prix	Code de commande	Produit
	\$14.95	CFS26GU24VLX	Ampoule Natural Spectrum de 26 watts
	\$6.95	Expédition et manutention	
		Total partiel	
		Résidents du VT, ajouter une taxe de vente de 6,0%, du CT 6,35%, du MN 6,875%, et de la CA 7,5%	
		Paiement total ci-joint	

Méthode de paiement :

VISA MASTERCARD DISCOVER AMERICAN EXPRESS CHECK

Nom du titulaire tel qu'il apparaît sur la carte

Numéro de la carte de crédit _____

Date d'expiration _____

Code de sécurité (à l'endos de la carte) _____

Signature du titulaire (achats par carte de crédit SEULEMENT)

Expédier à l'adresse _____

Numéro de téléphone _____

Courriel _____

Enregistrement de la garantie

Merci d'avoir acheté cette lampe de Verilux. Pour valider votre garantie, ce formulaire d'enregistrement de la garantie doit être rempli et posté le plus rapidement possible. Ou, vous pouvez enregistrer votre produit en ligne à www.verilux.com/warranty.

Nom _____

Adresse _____

Numéro de téléphone _____

Courriel : _____

N° de modèle _____

Date de l'achat (mois/jour/année) _____

Veuillez découper le formulaire et le poster à :
Ou, vous enregistrer en ligne à www.verilux.com/warranty.

VERILUX INC
PO BOX 451006
OMAHA NE 68145-5006

Dépannage

Avant de faire une demande de service pour votre lampe Verilux :

- S'assurer que tous les raccordements électriques, cordons, et fiches sont bien insérés.
- S'assurer que l'ampoule est bien insérée dans la douille. (Voir les pages 16-17.)
- S'assurer de l'alimentation à la prise murale, ou essayer une autre.

PROBLÈME	VÉRIFIER	SOLUTION
La lampe ne s'allume pas	La fiche est-elle lâche ?	Bien insérer la fiche dans la prise murale.
	L'ampoule est-elle vieille ?	Vérifier l'ampoule pour la présence de noircissement au bas de la spirale où la connexion s'effectue à la base (une indication de la durée de vie de l'ampoule), puis remplacer l'ampoule.
	L'ampoule est-elle bien insérée dans la douille ?	S'assure que l'ampoule est bien insérée dans la douille. Recommander la procédure d'installation de l'ampoule. ⚠ATTENTION ☞ Débrancher la lampe de la prise murale avant de recommencer la procédure d'installation de l'ampoule.
Noircissement aux extrémités de l'ampoule	L'ampoule est-elle neuve ?	Quelquefois, lorsqu'une ampoule neuve est mise en marche pour la première fois, le tube peut noircir, mais cet effet s'estompera après quelques minutes.
	L'ampoule est-elle vieille ?	Avec les ampoules plus vieilles, le noircissement du tube indique la fin de la durée de vie. (Ceci ne nuit pas au fonctionnement sauf que la quantité de lumière offerte est réduite puisque le phosphore à cet endroit est inactif.) Le remplacement de l'ampoule est recommandé.
La lampe scintille	La fiche est-elle lâche ?	Bien insérer la fiche dans la prise murale.
	L'ampoule est-elle bien insérée dans la douille ?	S'assure que l'ampoule est bien insérée dans la douille. Recommander la procédure d'installation de l'ampoule. ⚠ATTENTION ☞ Débrancher la lampe de la prise murale avant de recommencer la procédure d'installation de l'ampoule.
	La lampe est-elle branchée sur un circuit commandé par un gradateur ?	Brancher la fiche de la lampe que dans une prise murale sur un circuit qui n'est pas commandé par un gradateur.

Entretien et nettoyage

Votre lampe est fabriquée avec des matériaux de grande qualité qui dureront pendant plusieurs années avec un entretien minimal. Il serait préférable de nettoyer régulièrement la lampe en utilisant un nettoyant doux sans abrasif et un linge doux. Pendant le nettoyage, s'assurer que la lampe est éteinte et débranchée et permettre un délai suffisant pour le refroidissement de l'appareil.

⚠ATTENTION : Ne pas utiliser des solvants ou nettoyants contenant des abrasifs ou des nettoyants à base d'ammoniaque.

⚠ATTENTION : Essuyer et assécher toute l'humidité sur la lampe après l'avoir nettoyée et avant de la rebrancher.

L'éclairage Natural Spectrum et la productivité

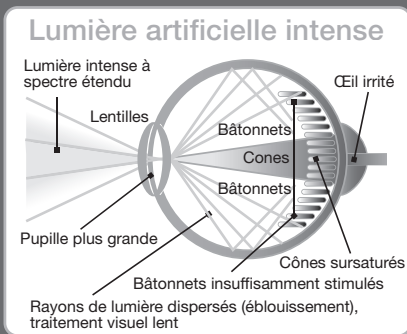
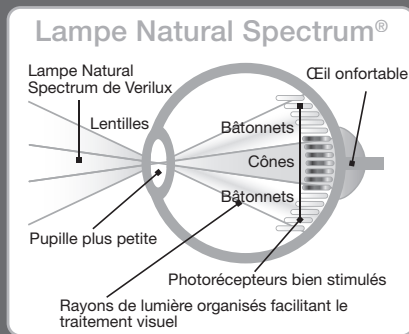
Lorsqu'il s'agit de maximiser le travail, l'étude, ou la tâche, une lampe de Verilux est le partenaire idéal. Cette lampe utilise l'éclairage Natural Spectrum de Verilux, qui simule les ondes favorables de la lumière solaire afin de vous aider à lire plus rapidement avec une plus grande compréhension, à travailler plus longtemps sans fatigue des yeux et à améliorer la productivité et la concentration.

Les recherches sur l'utilisation d'un éclairage en spectre continu et d'éclairages semblables dans des environnements scolaire et du travail ont démontrées de façon significative une acuité visuelle améliorée, entraînant une plus grande réussite des étudiants et une hausse de la productivité des travailleurs.

L'éclairage des lampes de productivité de Verilux est le résultat de plus de 50 années en recherches afin de mettre au point scientifiquement l'éclairage au besoin de l'œil humain. À la maison, à l'école ou au bureau, l'éclairage Natural Spectrum de Verilux est le partenaire idéal de la productivité.

Scientifiquement mise au point pour l'œil humain

La lampe Natural Spectrum de Verilux offre un éclairage spécifique à la gamme scotopique en produisant la bonne combinaison de couleur et d'intensité afin de mieux stimuler les photorécepteurs de vos yeux, appelés « cônes » et « bâtonnets ». Comme la lumière solaire, cette lampe à spectre amélioré permet une stimulation visuelle optimale sans être sursaturée ni éblouissante.



Garantie limitée d'un an

ATTENTION ! UNE FOIS OUVERT, VEUILLEZ NE PAS RETOURNER CE PRODUIT AU MAGASIN OÙ IL A ÉTÉ ACHÉTÉ POUR OBTENIR UN REMBOURSEMENT OU UNE RÉPARATION.

Plusieurs questions peuvent être répondues en visitant le www.verilux.com, ou vous pouvez communiquer avec notre service à la clientèle au 800-786-6850 pendant les heures normales d'ouverture.

Cette garantie limitée est fournie par : Verilux, Inc., 340 Mad River Park, Waitsfield, VT 05673

Verilux garantit ce produit d'être exempt de défauts de matériaux et de fabrication pour une période de d'un an à partir de la date de l'achat d'origine auprès de Verilux ou d'un revendeur autorisé Verilux. **La preuve d'achat est requise pour toute réclamation de garantie.** Pendant la période de garantie limitée, Verilux, Inc., réparera ou remplacera, à sa discrétion, les pièces défectueuses de ce produit sans aucun frais au consommateur, sous réserve de ces limitations : Cette garantie limitée ne comprend pas les frais de postage, de transport, de manutention, d'assurance, ou de livraison. Cette garantie ne couvre pas les dommages, défauts, défaillances provoqués par, ou résultant d'un accident, d'une destruction externe, d'une altération, d'une modification, d'un abus, ou d'une mauvaise utilisation de ce produit.

Cette garantie ne couvre pas les dommages à ce produit résultant de l'expédition de retour ou de la manutention. Verilux recommande l'achat d'une assurance d'expédition afin de protéger votre investissement.

Une autorisation de retour est requise pour tout retour. Pour obtenir une autorisation de retour, veuillez communiquer avec le service à la clientèle au 800-786-6850.

Si, au cours de la première année, ce produit ne fonctionne pas correctement, il doit être retourné selon les directives indiquées à www.verilux.com/warrantyreplacement, ou selon les directives d'un représentant du service à la clientèle Verilux au 800-786-6850.

***Remarque :** Verilux recommande l'utilisation d'un limiteur de surtension de qualité pour tout matériel électronique. Les variations de tension ainsi que les pointes de tension peuvent endommager les composants électroniques de tout dispositif. Un limiteur de surtension peut éliminer la plupart des défaillances provoquées par des surtensions et peut être acheté auprès de magasins d'électroniques.*

En raison de l'amélioration constante, le produit réel peut comporter de légères variations de celui décrit dans ce manuel.

Veillez visiter notre site Web au : www.verilux.com ou communiquez avec nous au

1-800-786-6850

Nos représentants sont disponibles du lundi au vendredi de 9 h à 17 h HNE.

VERILUX®

340 Mad River Park, Waitsfield, VT 05673

Pièces de rechange

Magasinez en ligne sur le site www.verilux.com ou appelez le Service à la clientèle au 1-800-454-4408.

