

Heritage™ | Deluxe

Natural Spectrum® Floor Lamp

Model: VF03



Dear Customer,

Thank you for purchasing the Verilux Heritage™ Deluxe Natural Spectrum® Floor Lamp. You now own an innovative product, manufactured to the highest standards and backed by a one-year limited warranty.

Many other healthy-lighting products are available through our catalog and online. Visit us on the web at www.verilux.com to request a free catalog and learn more about all our quality Verilux products, or call our toll-free number 1-800-454-4408.

As a Verilux customer, your satisfaction means everything to us. We look forward to serving you now and in the future.

Have a bright day!

A handwritten signature in black ink that reads "Nicholas Harmon". The signature is written in a cursive, flowing style.

Nicholas Harmon
President and Chief Happiness Officer
Verilux, Inc.

READ ALL INSTRUCTIONS BEFORE USING

Important Safeguards

⚠ DANGER:

- To avoid electrocution, do not operate this lamp near water.

⚠ WARNING:

- Do not use with power supply voltage other than 120 VAC.
- Do not defeat the safety purpose of the polarized plug. A polarized plug has two blades with one wider than the other. The wider blade is provided for your safety. If the provided plug does not fit into your outlet, consult an electrician for replacement of the obsolete outlet.
- Never cover the lamp or place anything on top of it when it is in operation.
- To prevent risk of shock or personal injury when cleaning this lamp, make sure you have turned it off and unplugged it. Allow sufficient time for the bulb to cool.
- **Choking Hazard:** This lamp contains small parts. Close supervision is recommended when this lamp is used by or near children or others who may not understand the need for these precautions.
- Light bulbs get hot quickly! Do not touch the bulb while the lamp is on.
- Do not cut or shorten the power cord.
- Do not operate lamp without ballast cover in place.
- Some people may experience light sensitivity to fluorescent lighting. Discontinue use if you experience any discomfort.
- Certain medications may induce light sensitivity (e.g., anti-depressants) which may result in discomfort or a level of hyperactivity. Consult with your health care provider before using this product.
- If you have a pre-existing eye condition, consult with your health care provider before using this product.
- This bulb contains a trace amount of mercury. For more information on clean-up and disposal, see www.epa.gov/cfl.
- This product contains a chemical known to the State of California to cause birth defects or other reproductive harm.

⚠ CAUTION:

- For indoor use only.
- Always unplug lamp before performing bulb replacement or installation and allow for sufficient time for the bulb to cool.
- This lamp is not for use with light dimmers, timers, motion detectors, voltage transformers or extension cords.
- This product may cause interference with radios, cordless telephones or devices that use a wireless remote control, such as televisions. If interference occurs, move the product away from the device, plug the product or device into a different outlet or move the lamp out of the line of sight of the remote control receiver.
- Unplug lamp during lightning storms or when unused for extended periods of time.
- Avoid placing this lamp in areas exposed to direct sunlight or close to heat-radiating products such as heaters.
- Lift the lamp by the shaft, not the lamp arm.

▲ CAUTION: — continued

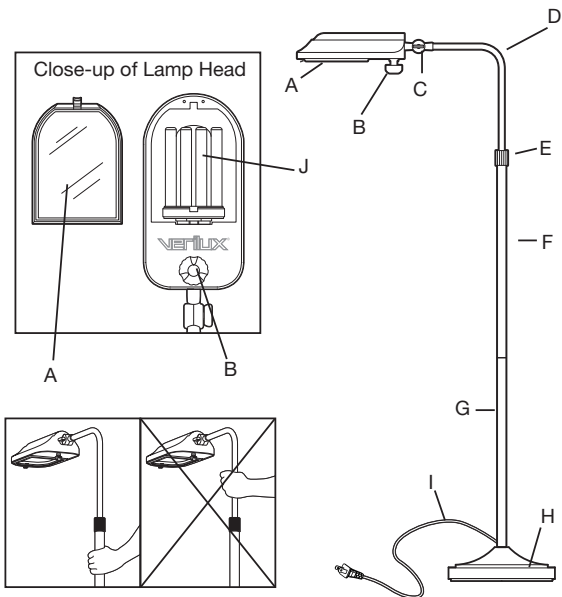
- Protect the power cord from being walked on or pinched, particularly at plugs, convenience receptacles and the point where the power cord exits the lamp.
- Do not operate this lamp if it has been damaged in any way; for example, if the power supply cord or plug has been damaged, liquid has been spilled on or objects have fallen into the lamp, it has been exposed to rain or other moisture, it has been dropped or if it does not operate normally.
- Do not dismantle. There are no user-serviceable parts in this lamp.
- Avoid placing lamp in areas that are dusty, humid/moist, lack ventilation or are subject to constant vibration.
- Use only the type of bulb and maximum wattage indicated by Verilux.
- To clean this lamp, do not use solvents or cleaners containing abrasives or ammonia.
- Properly wipe away and dry all moisture prior to restoring power.
- Do NOT use a lubricating agent in assembly. See troubleshooting section if you are having difficulty assembling your lamp.
- Disconnect lamp before performing any alignment.

SAVE THESE INSTRUCTIONS

Getting Started

Main Parts and Controls

- A. Optix® Glare-Control Filter
- B. Switch
- C. Lamp Head Swivel Knob
- D. Lamp Arm
- E. Height-Adjusting Collar
- F. Upper Shaft
- G. Lower Shaft
- H. Lamp Base
- I. Power Cord
- J. Bulb (shown installed)

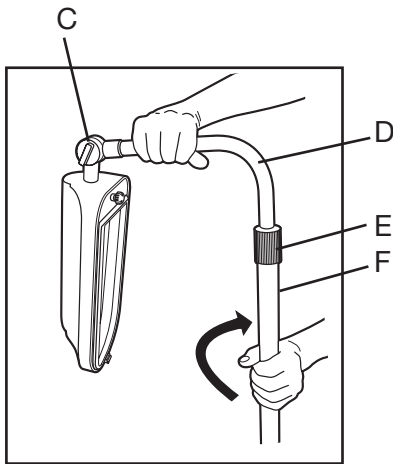


▲ CAUTION: Use the vertical shaft (G) to lift the lamp. Do not use the lamp arm (D).

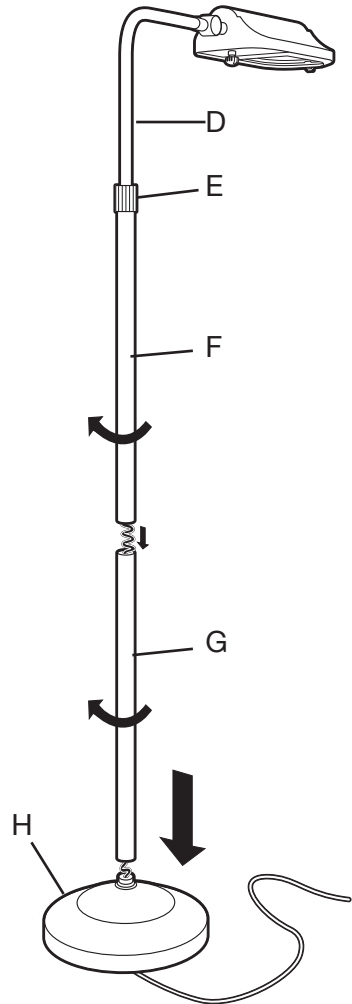
Assembly Instructions

Please Read Operating Instructions Carefully Before Using the Heritage™ Deluxe Natural Spectrum® Floor Lamp:

1. Set the lamp base on the floor and, feeding the coil cord into the lower half of the lamp shaft (G), join the lower and upper halves of the shaft (F and G).
2. Loosen the height adjusting collar (E) to free lamp arm (D).
3. With one hand holding the lamp arm (D), screw the upper shaft (F) onto the lower shaft (G). (See assembly detail below.)
4. Tighten height-adjusting collar to secure lamp arm.
5. To lift lamp head, loosen swivel knob (C), adjust head to desired angle. Tighten swivel knob.



Assembly Detail



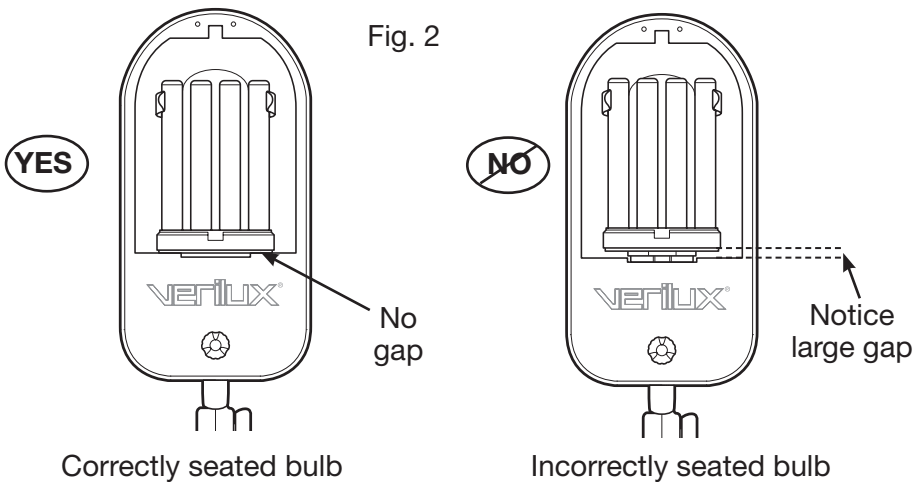
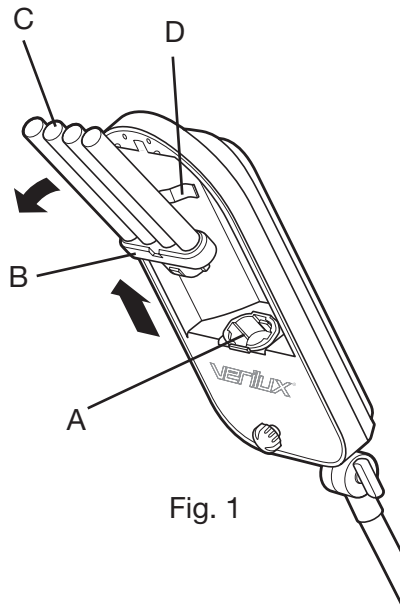
Bulb Installation/Removal

Installation

1. Unplug lamp from power source.
2. Firmly hold base (B) and push bulb (C) into the socket (A)
3. Be sure bulb is firmly seated in the socket (see below) and snapped into the metal bulb clip. (D) (Fig. 2)
4. Replace Optix glare-control filter.

Removal

1. Unplug lamp from power source.
2. To access the bulb, remove Optix glare-control filter by depressing the thumb tab and lifting out the filter.
3. Firmly hold bulb base (B) and pull bulb (C) from the socket (A) in an upward and outward motion. (Fig. 1)



⚠ CAUTION: Always unplug lamp before performing bulb replacement or installation.

Adjusting the Heritage Floor Lamp

The Heritage Floor Lamp adjusts in several ways:

1. To adjust lamp height – hold upper shaft (F) with one hand, loosen height adjusting collar. Raise or lower lamp arm (D) to desired height. Tighten collar (Fig. 3).

Note: Do not stand on cord or otherwise restrict its movement while raising or lowering the height of the lamp.

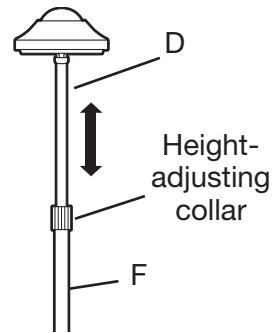


Fig. 3

2. To rotate the lamp head right or left, loosen height adjusting collar, swing lamp arm to desired position. Tighten collar. Lamp arm rotates a full 360° (Fig. 4).

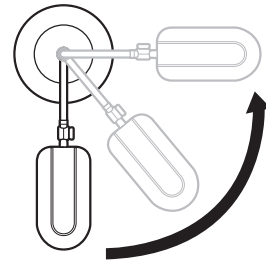


Fig. 4

3. To adjust lamp head angle up or down – loosen swivel knob counterclockwise, place head at desired angle, tighten swivel knob to secure (Fig. 5).

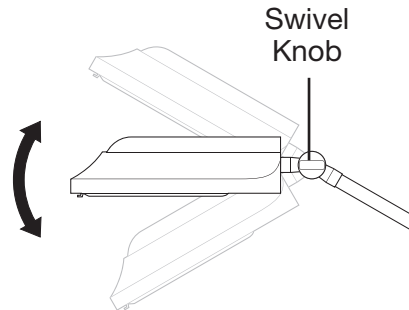


Fig. 5

4. To tilt lamp head toward you or away from you – simply move head to desired position (Fig. 6).

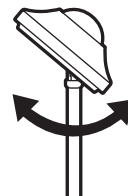


Fig. 6


Ballast Replacement Instructions

⚠ WARNING: To prevent risk of fire, use only Verilux replacement parts when replacing the ballast in this lamp.

1

Unplug the lamp! ⚠

Lower lamp onto its side to access lamp base

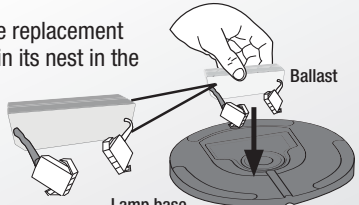


5

Seat the replacement ballast in its nest in the base.

Ballast

Lamp base

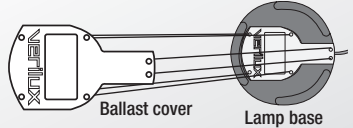


2

Remove the four screws on the ballast cover on the underside of the lamp base. Remove cover and set aside with the four screws.

Ballast cover

Lamp base

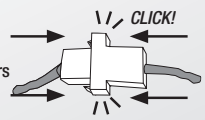


6

Identify both ends of the two-position connector and rejoin them by pressing them together until you hear a "click" sound. Do the same for the five-position connector.

Wire connectors

CLICK!

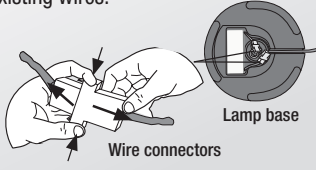


3

Disengage the two crimp connectors by pinching the locking tabs on the outside of the connector and pulling the two ends apart. Note that one is a two-position connector while the other is a five-position connector. Verify that there is no damage to existing wires.

Wire connectors

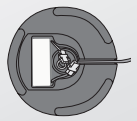
Lamp base



7

Reposition the cords and connectors in the lamp base in a fashion that permits a good seating of the ballast cover in its proper position on the lamp base.

Lamp base




4

Note the orientation of the existing ballast (with the crimp connectors facing toward the center of the lamp). Remove the original ballast by pulling it from its nest in the base of the lamp. Discard the old ballast.

Ballast

Lamp base



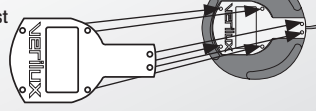
8

Replace the cover and reinstall the four screws you removed earlier.

Ballast cover


Lamp base

⚠ WARNING: DO NOT OPERATE LAMP WITHOUT BALLAST COVER IN PLACE.



9

Place the lamp in its upright position, plug it in and turn it on.



Component Order Form

Order Online at www.verilux.com/replacement-bulb

Mail or Fax your order by using this form to: Verilux, Inc., 340 Mad River Park, Waitsfield, VT 05673
 Fax: 802-496-3105

Quantity	Price	Order Code	Product
	\$19.95	CFML27VLX	27-watt Natural Spectrum® Bulb
	\$6.95	Shipping & Handling	
		Subtotal	
		Residents of VT, add 6% Sales Tax; of CT, add 6.35%; of MN, add 6.875%; and of CA, add 7.5%	
		Total Payment Enclosed	

Payment Method:

VISA MASTERCARD DISCOVER AMERICAN EXPRESS CHECK

Name as it Appears on Card _____

Credit Card Number _____

Expiration Date _____

Security Code (from back of card) _____

Authorized Signature (credit card purchasers ONLY) _____

Ship to Address _____

Phone Number _____

Email Address _____

Cut Along Dashed Line

Warranty Registration

Thank you for purchasing this Verilux Floor Lamp. For your warranty to be valid, complete and mail this Warranty Registration in a timely manner. Or, **you can register your product online at www.verilux.com/warranty.**

Name _____

Address _____

Phone Number _____

Email Address: _____

Model # _____

Date of Purchase (Month/Day/Year) _____

Please cut out form and send to:
 Or register online at www.verilux.com/warranty

**VERILUX INC
 PO BOX 451006
 OMAHA NE 68145-5006**

Troubleshooting

Before requesting service on your Verilux® lamp, please:

- Make sure all power connectors, cords and plugs are inserted fully and securely.
- Be sure the bulb is securely seated into the socket. (See page 6.)
- Make sure there is power to the wall outlet or try another outlet.

PROBLEM	CHECK	SOLUTION
Light Won't Come On	Has the plug come loose?	Insert plug securely into wall outlet.
	Is the bulb old?	Check bulb for blackening/darkening at bottom of spiral where it joins the base (an indicator of bulb life) and replace bulb.
	Is the bulb connected securely into socket?	Be sure the bulb is securely seated into the socket, repeat the bulb installation process. ▲ CAUTION: ALWAYS UNPLUG LAMP BEFORE PERFORMING BULB REPLACEMENT OR INSTALLATION.
Blackening/Darkening at Ends of Bulb	Is the bulb new?	Sometimes when a new bulb is turned on for the first time the tube will darken, but this will fade after a few minutes.
	Is the bulb old?	With older bulbs, darkening of the tube indicates end of bulb life (this doesn't affect operation except to reduce the amount of light available since the phosphor in that area has become inactive). Bulb replacement is recommended.
Light Flickers	Has the plug come loose?	Insert plug securely into wall outlet.
	Is the bulb connected securely to the socket?	Be sure the bulb is securely seated into the socket, repeat the bulb installation process. ▲ CAUTION: ALWAYS UNPLUG LAMP BEFORE PERFORMING BULB REPLACEMENT OR INSTALLATION.
	Is the lamp connected to a dimmer switch?	Connect lamp plug only to wall outlet without dimmer switch.

Care and Cleaning

Your lamp is made from high-quality materials that will last for many years with minimum care. You may want to periodically clean the lamp using a mild non-abrasive cleaner and soft cloth. When cleaning, make sure you have turned off and unplugged the unit and allowed sufficient time for the unit to cool.

▲ CAUTION: To clean this lamp, do not use solvents or cleaners containing abrasives or ammonia.

▲ CAUTION: Do not use any cleaning agents, including window cleaner, on the Optix® glare control filter. If needed, dust with a clean, dry cloth.

▲ CAUTION: After cleaning the lamp, properly wipe away and dry all moisture before restoring power.

One-Year Limited Warranty

ATTENTION! ONCE OPENED, PLEASE **DO NOT** RETURN THIS PRODUCT TO THE STORE WHERE IT WAS PURCHASED FOR REPAIR OR REPLACEMENT!

Many questions may be answered by visiting www.verilux.com, or you may call our Customer Service Department at 1-800-786-6850 during normal business hours.

This limited warranty is provided by: Verilux, Inc., 340 Mad River Park, Waitsfield, VT 05673

Verilux warrants this product to be free from defects in material and workmanship for a period of one year from the date of the original retail purchase from Verilux or an authorized Verilux distributor. **Proof of purchase is required for all warranty claims.** During the limited warranty period, Verilux, Inc. will, at its option, repair or replace defective parts of this product, at no charge to the customer, subject to these limitations: This limited warranty does not include any postage, freight, handling, insurance or delivery fees. This warranty does not cover damage, defect or failure caused by or resulting from accident, external destruction, alteration, modification, abuse, misuse or misapplication of this product.

This warranty does not cover damage to the product resulting from return shipping or handling. Shipping insurance is recommended to help protect your product.

Return Authorization is required for all returns. To obtain a Return Authorization, please contact the Verilux Customer Service Department at 1-800-786-6850.

If, during the first year of ownership, this product fails to operate properly, it should be returned as specified at www.verilux.com/warrantyreplacement or as instructed by a Verilux customer service representative at 1-800-786-6850.

Note: *Verilux recommends using a quality surge suppressor on all electronics equipment. Voltage variations and spikes can damage electronic components in any system. A quality suppressor can eliminate the vast majority of failures attributed to surges and may be purchased at electronics stores.*

Due to ongoing improvements, actual product may have slight variations from the product described in this manual.

Please visit our website at www.verilux.com or call our Customer Service Department at

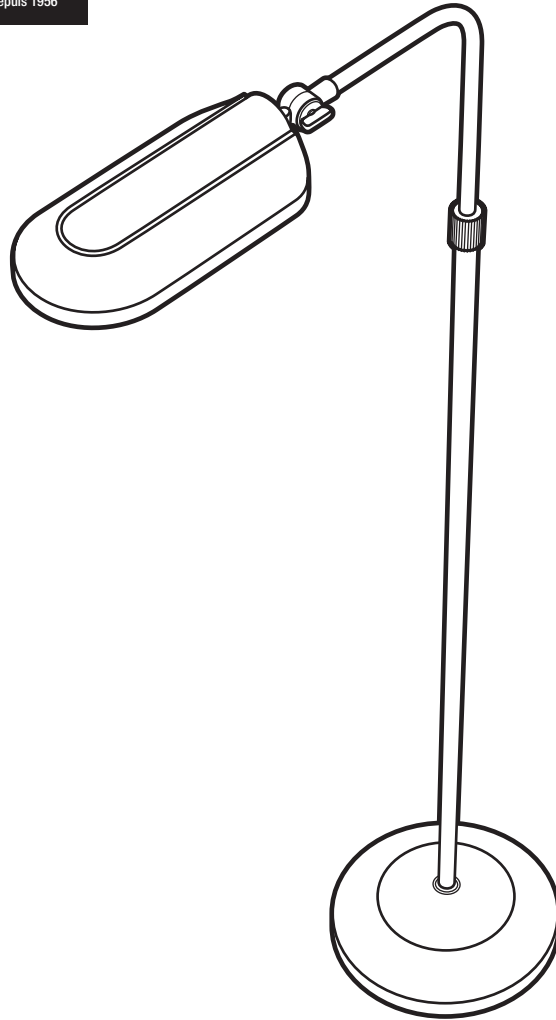
1-800-786-6850

Representatives are available Monday — Friday, 9am — 5pm EST

verilux[®]

340 Mad River Park, Waitsfield, VT 05673

verilux[®]
La compagnie d'éclairage sain[™] Depuis 1956



Heritage[™] | Deluxe

Lampe de Plancher Natural Spectrum^{MD}

Modèle: VF03

Chère cliente/Cher client,

Merci d'avoir acheter cette lampe de plancher Heritage de Verilux. Vous possédez maintenant un produit innovant, fabriqué selon les normes les plus élevées en plus d'une garantie limitée d'un (1) an.

Beaucoup d'autres produits de éclairage sain sont offerts dans notre catalogue et en ligne. Visitez notre site internet à l'adresse www.verilux.com pour demander votre catalogue gratuit et en apprendre plus au sujet de nos produits de qualité Verilux ou appelez-nous au numéro sans frais: 1-800-454-4408.

En tant que client Verilux, nous accordons beaucoup d'importance à votre satisfaction. Nous sommes fiers de pouvoir être à votre service aujourd'hui et demain.

Bonne journée lumineuse!

Nicholas Harmon

Nicholas Harmon, Président
Verilux, Inc.

VEUILLEZ LIRE TOUTES LES DIRECTIVES AVANT L'UTILISATION.

Précautions importantes

▲ DANGER:

- Pour éviter l'électrocution, ne pas opérer cette lampe à proximité d'eau.

▲ MISE EN GARDE:

- Ne pas utiliser une tension d'alimentation autre que 120 volts c.a.
- INSTRUCTIONS IMPORTANTES DE SÉCURITÉ: Cette lampe de plancher a une fiche polarisée. (Une lame est plus large que l'autre.) Cette fiche n'entre que d'une façon dans une prise polarisée. Si la fiche n'entre pas entièrement dans la prise, inversez-la. Si elle n'entre toujours pas, contactez un électricien qualifié. N'utilisez jamais avec une rallonge à moins que la fiche ne soit entièrement insérée. Ne modifiez pas la fiche.
- Afin de prévenir les risques de décharge électrique ou les blessures corporelles lors du nettoyage de cette lampe, s'assurer de l'éteindre et de la débrancher puis de permettre suffisamment de temps afin que l'ampoule refroidisse.
- Ne pas faire fonctionner une lampe à proximité de vapeurs inflammables ou combustibles, comme des produits en aérosol ou lorsque de l'oxygène est administré.
- Ne pas couper ni raccourcir le cordon d'alimentation.
- L'ampoule dans ce produit contient une petite quantité de mercure. Pour plus de détails sur le nettoyage et l'élimination, visitez le site Web www.epa.gov/cfl.
- Ce produit contient un produit chimique reconnu par l'État de la Californie pour causer des malformations congénitales ou d'autres problèmes de reproduction.
- Certaines personnes peuvent ressentir une sensibilité à la lumière produite par un éclairage fluorescent. Cesser l'utilisation si vous éprouvez des maux.
- Certains médicaments peuvent induire une sensibilité à la lumière (par exemple, antidépresseurs), lesquels peuvent causer des maux ou un niveau d'hyperactivité. Consultez votre fournisseur de soins de santé avant l'utilisation de ce produit.
- Si vous avez une condition oculaire préexistante, consultez votre fournisseur de soins de santé avant l'utilisation de ce produit.
- **Risque de suffocation** : Cette lampe contient de petites pièces. Une supervision étroite est recommandée lorsque ces lampes sont utilisées par ou près des enfants ou des personnes ne pouvant pas comprendre la nécessité de ces précautions.
- Ne jamais couvrir la lampe ou placer quelque chose dessus lorsqu'elle est en marche.
- Les ampoules deviennent chaudes très rapidement! Ne touchez pas l'ampoule pendant que la lampe fonctionne.

▲ ATTENTION :

- Pour un usage à l'intérieur seulement.
- Toujours débrancher la lampe puis permettre suffisamment de temps afin que l'ampoule refroidisse avant de remplacer l'ampoule ou avant son installation.
- Cette lampe n'est pas destinée à une utilisation avec les gradateurs, les minuteries, les détecteurs de mouvement, les transformateurs de tension et les rallonges.
- Ce produit peut provoquer des interférences avec les radios, les téléphones sans fil ou les dispositifs utilisant des commandes à distance comme les télévisions. Si de telles interférences se produisent, éloigner le produit du dispositif, brancher le produit ou dispositif dans une prise d'alimentation sur un circuit différent ou déplacer la lampe hors de la ligne de mire du récepteur de la commande à distance.
- Si cette lampe a été endommagée de quelque façon que ce soit, par exemple, le cordon d'alimentation ou la fiche ont été endommagés, du liquide a été déversé ou des objets sont tombés sur la lampe, la lampe a été exposée à la pluie ou à l'humidité, la lampe ne fonctionne pas normalement ou elle est tombée, elle ne devrait pas être utilisée.

⚠ ATTENTION : – suite

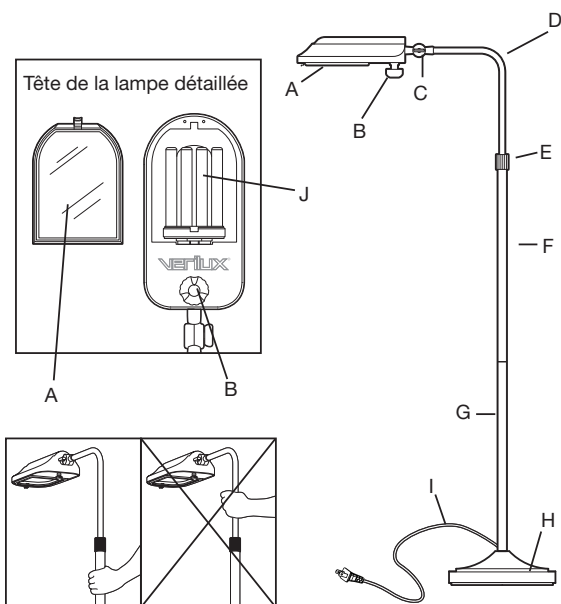
- Débrancher la lampe lors d'orages ou lorsqu'elle n'est pas utilisée pendant des périodes prolongées.
- Éviter de placer la lampe dans des endroits qui sont poussiéreux, humides, manquant de ventilation ou faisant l'objet d'une vibration constante.
- Éviter de placer la lampe dans des endroits exposés aux rayons directs du soleil ou à proximité de sources de rayonnement de chaleur comme les appareils de chauffage.
- Ne pas utiliser des ampoules de type et de tension maximale autres que ceux indiqués par Verilux.
- Protéger le cordon d'alimentation afin qu'il ne soit pas piétiné ou coincé, en particulier au niveau de la fiche, de la prise et de la sortie de la lampe.
- Ne pas soulever la lampe par le col de cygne. Il faut la soulever par la tige.
- Ne pas utiliser des solvants ou nettoyants contenant des abrasifs ou des nettoyants à base d'ammoniac sur ce produit.
- Après le nettoyage de la lampe, toute humidité devrait être bien essuyée et séchée avant de rétablir l'alimentation.
- NE PAS utiliser des agents de lubrification lors de l'assemblage; veuillez vous reporter à la section de dépannage si vous éprouvez de la difficulté dans l'assemblage de la lampe.
- Pour éviter d'endommager la lampe, ne pas positionner la tête d'une manière qui compromet la stabilité de la lampe ou le rend incapable de rester debout.

CONSERVEZ CES INSTRUCTIONS

Avant de commencer

Pièces et commandes principales :

- A. Filtre antireflet Optix^{MD}
- B. Interrupteur
- C. Bouton pivotant la tête de la lampe
- D. Bras de la lampe
- E. Collet pour réglage de la hauteur
- F. Tige supérieure
- G. Tige inférieure
- H. Base de la lampe
- I. Cordon d'alimentation
- J. Ampoule

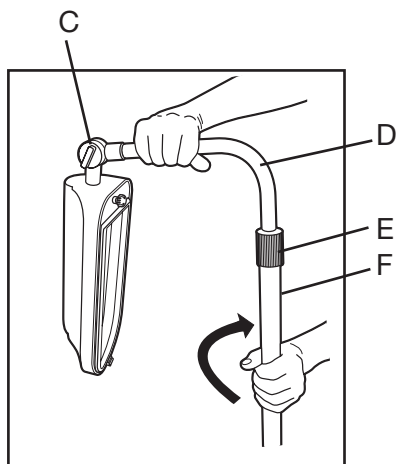


⚠ MISE EN GARDE : Soulevez la lampe par la tige (F, G). N'utilisez pas le bras de la lampe (D).

Instructions d'assemblage

Veillez lire attentivement ces instructions avant d'utiliser votre lampe de plancher Heritage.

1. Déposez la base de la lampe sur le plancher et, menant le cordon bobiné dans la partie inférieure de la tige (G), joignez-la avec la sa partie supérieure (F).
2. Désérrez le collet (E) afin de libérer le bras de la lampe (D).
3. Tenez le bras de la lampe (D) et visez la partie supérieure de la tige (F) à sa partie inférieure (C). (Voir l'illustration détaillée au-dessous.)
4. Sérrez le collet (E) pour fixer le bras de la lampe (D).
5. Pour relever la tête de la lampe, dévissez le bouton pivotant (C) et réglez l'angle de la tête selon votre préférence. Serrez le bouton pivotant.



L'assemblage détaillé

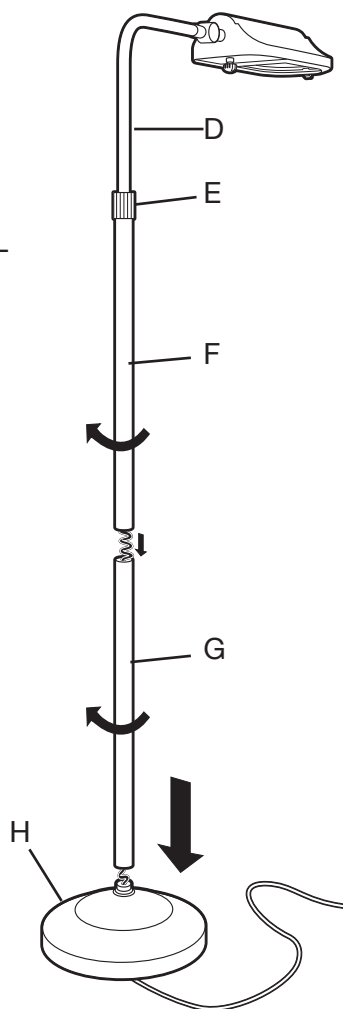
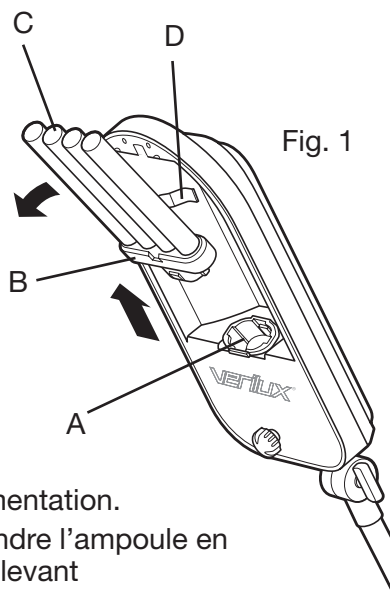


Fig. 1

Installation/retrait de l'ampoule

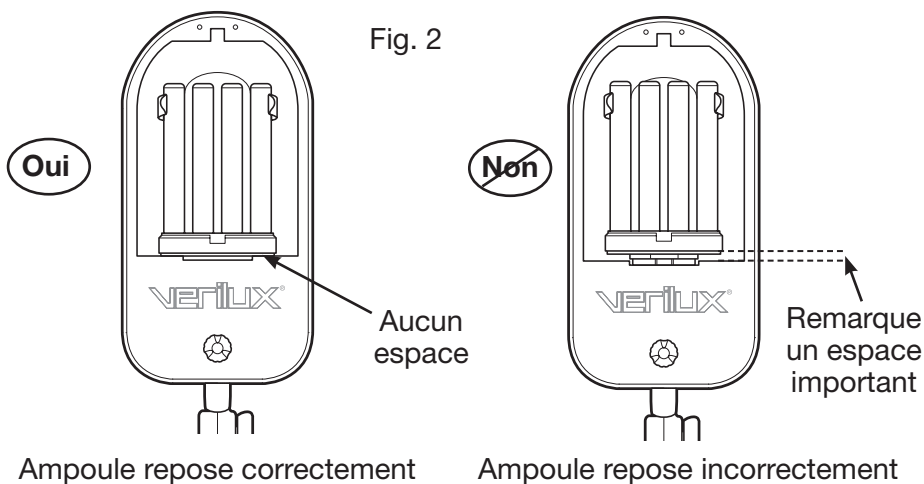
Installation

1. Débranchez la lampe de la source d'alimentation.
2. Tenez fermement le culot (B) et insérez l'ampoule (C) dans la douille (A).
3. Assurez-vous que l'ampoule repose fermement dans la douille (voir ci-dessous) et qu'elle est enclenchée dans la pince métallique de l'ampoule (D) (Fig. 2).
4. Remplacez le filtre antireflet Optix



Retrait

1. Débranchez la lampe de la source d'alimentation.
2. Retirez le filtre antireflet Optix pour atteindre l'ampoule en pressant la languette de tirage et en soulevant le filtre.
3. Tenez fermement le culot (B) et retirez l'ampoule (C) de la douille (A) d'un mouvement vers le haut et vers l'extérieur (Fig. 1).



⚠ ATTENTION : Débranchez toujours la lampe avant d'installer ou de remplacer l'ampoule.

Réglage de la lampe

Il y a de nombreuses façons d'ajuster la lampe de plancher Heritage:

1. Pour régler la hauteur de la lampe, tenez la tige supérieure (F) avec une main et désérrez le collet. Relevez ou descendez le bras de la lampe (D) à la hauteur désirée. Sérrez le collet (Fig. 3).

Note : Ne restez pas debout sur le cordon d'alimentation ou gênez autrement son mouvement lorsque vous réglez la hauteur de la lampe.

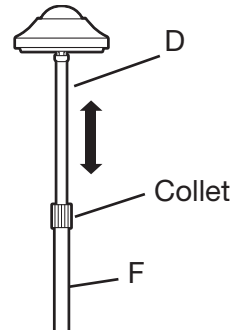


Fig. 3

2. Pour tourner la tête de la lampe vers la droite ou la gauche, désérrez le collet et tournez le bras de la lampe à la position désirée. Sérrez le collet. Le bras de la lampe tourne 360° complet. (Fig. 4).

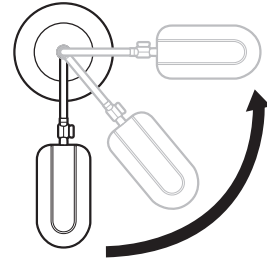


Fig. 4

3. Pour régler l'angle de la tête de la lampe vers le haut ou le bas, tournez la rotule vers la gauche et placez la tête à l'angle désiré puis serrez fermement la rotule (Fig. 5).

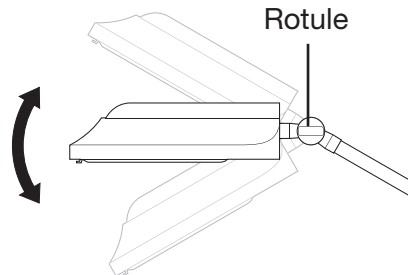


Fig. 5

4. Pour incliner la tête de la lampe pour l'approcher ou l'éloigner de vous, déplacez simplement la tête à la position désirée (Fig. 6).

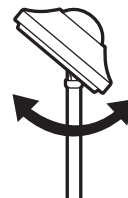


Fig. 6

Instructions pour le remplacement du ballast

⚠ MISE EN GARDE: Afin de prévenir les incendies, utiliser seulement des pièces Verilux pour le remplacement du ballast de cette lampe.

Débrancher la lampe! ⚠

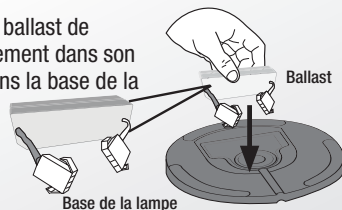
Coucher la lampe sur le côté pour accéder à la base.

1



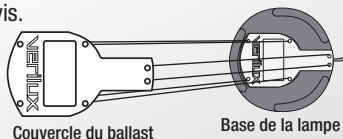
Placer le ballast de remplacement dans son socle, dans la base de la lampe.

5



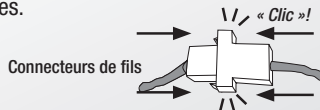
Retirer le couvercle de la base de la lampe en retirant les quatre vis qui se situent au périmètre. Mettre à côté le couvercle et les quatre vis.

2



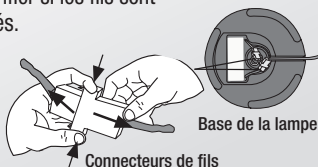
Repérer les deux bouts du connecteur à deux broches et les joindre en les pressant ensemble jusqu'à ce qu'un « clic » se fasse entendre. Faire la même chose pour le connecteur à cinq broches.

6



Dégager les connecteurs sertis en pinçant les languettes de verrouillage placées à l'extérieur du connecteur et en séparant les deux bouts. Veuillez noter que le dispositif contient un connecteur à deux broches et un autre à cinq broches. Vérifier si les fils sont endommagés.

3



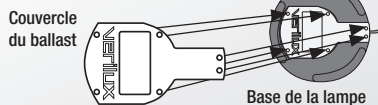
Replacer les cordons et les connecteurs dans la base de la lampe de façon à pouvoir replacer adéquatement le couvercle de la base de la lampe.

7



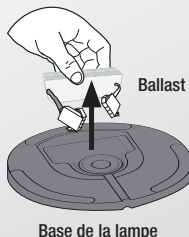
Replacer le couvercle et installer les quatre vis retirées précédemment.

8



Porter attention à l'orientation du ballast (les connecteurs sertis doivent être orientés vers le centre de la lampe). Retirer le ballast d'origine en le tirant de son socle dans la base de la lampe. Jeter l'ancien ballast.

4



⚠ MISE EN GARDE: Ne pas faire fonctionner la lampe sans avoir remplacé le couvercle de la base de la lampe.

Placer la lampe sur son pied, la brancher et l'allumer.

9



Formulaire de commande

Commander en ligne à www.verilux.com/remplacement-bulb Postez ou télécopiez votre commande en utilisant ce formulaire à : Verilux, Inc., 340 Mad River Park, Waitsfield, VT 05673
Télécopieur : 802-496-3105

Quantité	Prix	Code de commande	Produit
	\$19.95	CFML27VLX	Ampoule Natural Spectrum de 27 watts
	\$6.95	Expédition et manutention	
		Total partiel	
		Résidents du CT, ajouter une taxe de vente de 6,0%, du VT 6,35%, du MN 6,875%, et de la CA 7,5%.	
		Paiement total ci-joint	

Méthode de paiement :

VISA MASTERCARD DISCOVER AMERICAN EXPRESS CHECK

Nom du titulaire tel qu'il apparaît sur la carte _____

Numéro de la carte de crédit _____

Date d'expiration _____

Code de sécurité (à l'endos de la carte) _____

Signature du titulaire (achats par carte de crédit SEULEMENT) _____

Expédier à l'adresse _____

Numéro de téléphone _____

Courriel _____

Enregistrement de la garantie

Merci d'avoir acheté cette lampe de plancher Verilux. Pour valider votre garantie, remplissez et postez ce formulaire d'enregistrement de la garantie dans les plus brefs délais. Ou, **vous pouvez enregistrer votre produit en ligne à www.verilux.com/warranty**.

Nom _____

Adresse _____

Numéro de téléphone _____

Courriel : _____

N° de modèle _____

Date de l'achat (mois/jour/année) _____

Veuillez découper le formulaire et le poster à :
Ou, vous enregistrer en ligne à www.verilux.com/warranty.

**VERILUX INC
PO BOX 451006
OMAHA NE 68145-5006**

Couper le long du pointillé

Dépannage

Avant de faire une demande de service pour votre lampe Verilux® :

- S'assurer que tous les raccordements électriques, cordons et fiches sont bien insérés.
- S'assurer que l'ampoule est bien insérée dans la douille. (Voir la page 6.)
- S'assurer de l'alimentation à la prise murale, ou essayer une autre.

PROBLÈME	VÉRIFIER	SOLUTION
La lampe ne s'allume pas	La fiche est-elle lâche ?	Bien insérer la fiche dans la prise murale.
	L'ampoule est-elle vieille ?	Vérifier l'ampoule pour la présence de noircissement au bas de la spirale où la connexion s'effectue à la base (une indication de la durée de vie de l'ampoule), puis remplacer l'ampoule.
	L'ampoule est-elle bien insérée dans la douille ?	S'assurer que l'ampoule est bien insérée dans la douille. Recommencer la procédure d'installation de l'ampoule. ⚠ATTENTION Débrancher la lampe de la prise murale avant de recommencer la procédure d'installation de l'ampoule.
Noircissement aux extrémités de l'ampoule	L'ampoule est-elle neuve ?	Quelquefois, lorsqu'une ampoule neuve est mise en marche pour la première fois, le tube peut noircir, mais cet effet s'estompera après quelques minutes.
	L'ampoule est-elle vieille ?	Avec les ampoules plus vieilles, le noircissement du tube indique la fin de la durée de vie. (Ceci ne nuit pas au fonctionnement sauf que la quantité de lumière offerte est réduite puisque le phosphore à cet endroit est inactif.) Le remplacement de l'ampoule est recommandé.
La lampe scintille	La fiche est-elle lâche ?	Bien insérer la fiche dans la prise murale.
	L'ampoule est-elle bien insérée dans la douille ?	S'assurer que l'ampoule est bien insérée dans la douille. Recommencer la procédure d'installation de l'ampoule. ⚠ATTENTION Débrancher la lampe de la prise murale avant de recommencer la procédure d'installation de l'ampoule.
	La lampe est-elle branchée sur un circuit commandé par un gradateur ?	Brancher la fiche de la lampe que dans une prise murale sur un circuit qui n'est pas commandé par un gradateur.

Entretien et nettoyage

Votre lampe est fabriquée avec des matériaux de grande qualité qui dureront de nombreuses années avec un minimum d'entretien. Vous pouvez nettoyer périodiquement la lampe à l'aide d'un nettoyant doux non abrasif et d'un chiffon doux. Lorsque vous nettoyez, assurez-vous d'avoir éteint et débranché l'unité et d'avoir laissé l'ampoule suffisamment refroidir.

⚠MISE EN GARDE: Pour éviter les risques de choc ou de blessure lorsque vous nettoyez la lampe, assurez-vous d'avoir éteint et débranché la lampe, et d'avoir laissé l'ampoule suffisamment refroidir.

⚠ATTENTION : Nettoyez seulement avec un chiffon doux et sec – N'utilisez pas de solvants ou de nettoyants contenant des produits abrasifs ou de l'ammoniaque.

⚠ATTENTION : Après avoir nettoyé la lampe, essuyez toute trace d'humidité et laissez la lampe sécher complètement avant de la rebrancher.

Garantie limitée d'un an

ATTENTION ! UNE FOIS OUVERT, VEUILLEZ NE PAS RETOURNER CE PRODUIT AU MAGASIN OÙ VOUS L'AVEZ ACHETÉ POUR LE FAIRE RÉPARER OU LE REMPLACER !

Vous trouverez de nombreuses réponses à vos questions sur le site www.verilux.com ou vous pouvez téléphoner à notre service à la clientèle au 1-800-786-6850 aux heures ouvrables habituelles.

Cette garantie limitée est fournie par : Verilux, Inc., 340 Mad River Park, Waitsfield, VT 05673 USA

Verilux garantit que ce produit ne comporte aucun défaut de matériau et de fabrication pour une période d'un an à compter de la date d'achat originale de Verilux ou d'un distributeur Verilux autorisé. **Une preuve d'achat vous sera demandée pour toute réclamation de garantie.** Au cours de la période de garantie limitée, Verilux Inc., selon sa décision, réparera ou remplacera les pièces défectueuses de ce produit, sans aucuns frais pour le client et sous réserve des conditions suivantes : cette garantie limitée ne couvre pas les frais postaux, le transport, la manutention, l'assurance ou les frais de livraison. Cette garantie ne couvre aucun dommage, défectuosité ou panne causé par ou résultant d'un accident, destruction externe, altération, modification, abus, mauvaise utilisation ou mauvaise application de ce produit.

La garantie ne couvre pas les dommages causés pendant l'expédition de retour ou la manutention du produit. Il est recommandé d'acheter une assurance pour l'expédition afin de protéger votre investissement dans ce produit.

Une autorisation de retour est requise pour tous les retours. Afin d'obtenir cette autorisation, veuillez communiquer avec le service à la clientèle Verilux au 1-800-786-6850.

Si, durant la première année de votre achat, le produit ne fonctionne pas correctement, il doit être retourné tel qu'indiqué sur le site www.verilux.com/warrantyreplacement ou selon les instructions du représentant du service à la clientèle Verilux au 1-800-786-6850.

***Remarque :** Verilux recommande d'utiliser un limiteur de surtension de qualité pour tout l'équipement électronique. Les changements et variations brusques de tension peuvent endommager les composants électroniques dans un système. Un limiteur de surtension de qualité peut éliminer la grande majorité des pannes attribuées aux surtensions. Les limiteurs de surtension peuvent s'acheter dans les magasins d'articles électroniques.*

En raison des constantes améliorations, le produit actuel peut différer légèrement du produit décrit dans ce manuel.

Veillez visitez notre site Web à : www.verilux.com ou téléphoner à notre service à la clientèle au

1-800-786-6850

Nos représentants sont disponibles du lundi au vendredi, de 9 h à 17 h, HNE

verilux®

340 Mad River Park, Waitsfield, VT 05673 USA

Imprimé en Chine

Imprimé en Chine pour Verilux, Inc.

© Droit d'auteur 2015 Verilux, Inc. Tous droits réservés.