

# XD40 / XD50 Hose Reel Support Arm Kit

332355B

EN

Used to adapt XD40 / XD50 hose reels for overhead installations or installations with the hose position over the spool. For professional use only.

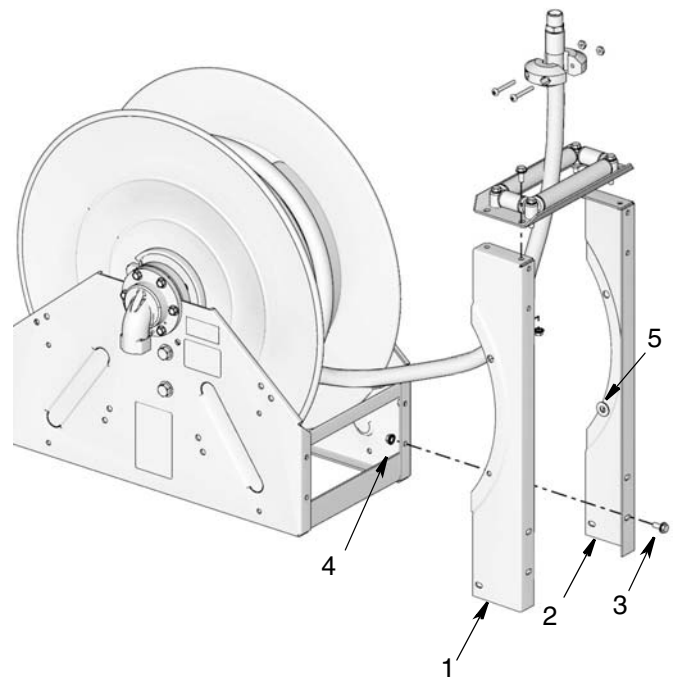
Part No. XD40 - 24R076; XD50 - 24R077



### Important Safety Instructions

Read all warnings and instructions in this manual and the XD40/XD50 Hose Reel Installation and Operation Instruction manual. Save all instructions.

| Ref | Description             | Qty |
|-----|-------------------------|-----|
| 1   | SUPPORT, roller arm     | 1   |
| 2   | SUPPORT, roller arm     | 1   |
| 3   | SCREW, cap, flange head | 8   |
| 4   | NUT, hex, flange head   | 8   |
| 5   | WASHER, plain           | 4   |



# Roller Support Arm Installation

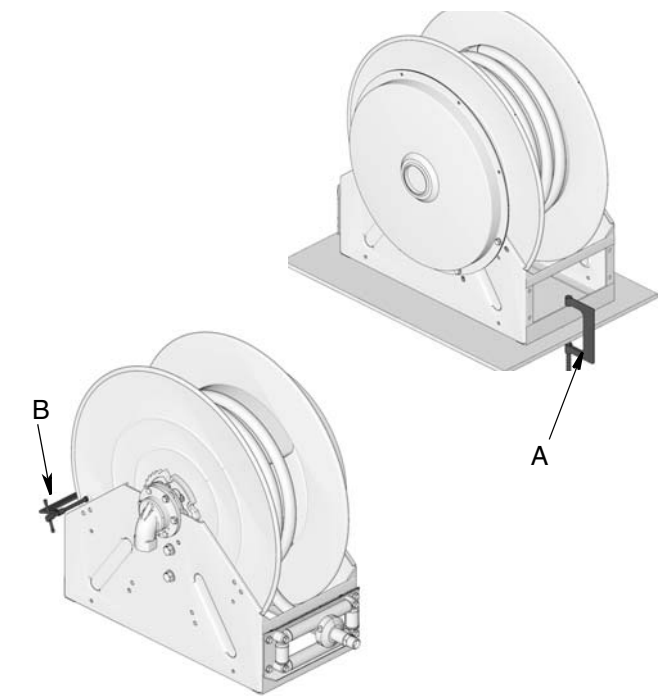
|   |  |  |  |  |  |  |
|---|--|--|--|--|--|--|
|   |  |  |  |  |  |  |
| <b>MOVING PARTS HAZARD</b>  |  |  |  |  |  |  |
| Moving parts can pinch, cut or amputate fingers and other body parts.   |  |  |  |  |  |  |
| <ul style="list-style-type: none"> <li>• Keep clear of moving parts.</li> <li>• Do not operate equipment with protective guards or covers removed.</li> </ul> |  |  |  |  |  |  |

**NOTE:**

- Install hose on reel prior to installation. See Hose Installation instructions provided in the XD40 and XD50 Hose Reels instruction manual.
- Verify spring tension is set correctly. See Adjusting Spring Tension instructions provided in the XD40 and XD50 Hose Reels instruction manual.
- Adjust inlet orientation if needed. See Inlet Orientation instructions provided in the XD40 and XD50 Hose Reels instruction manual.
- XD40 reels are shipped with the hose rollers bolted near the reel mounting base, which is the proper position for truck-mounted hose reels.

To install the accessory roller support arm:

1. Use a large c-clamp (A) on the back of the hose reel base to secure it to a flat surface (FIG. 1). Graco recommends placing a rag over the back frame to protect this surface from damage when the clamp is tightened down.

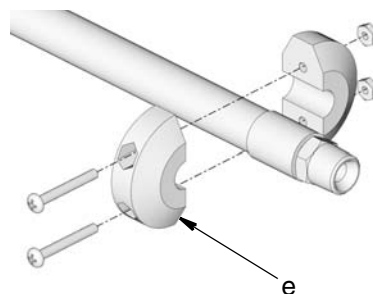


**FIG. 1**

2. Unwind the hose so that it extends approximately 3 ft (0.9 m) beyond the roller plate and the latch is engaged.

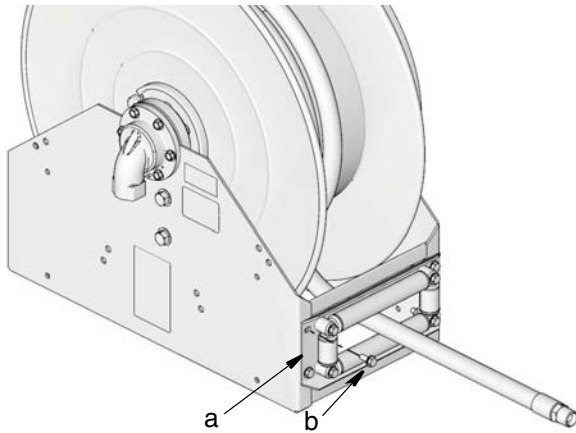
|  |  |  |  |  |  |
|--|--|--|--|--|--|
|  |  |  |  |  |  |
| Never allow the reel to spin freely. Doing so causes the hose to spin out of control, which could cause serious injury if you are hit by the hose. |  |  |  |  |  |

3. Attach a c-clamp (B) to the back of the reel spool as shown in FIG. 1 to help prevent the reel from unintentionally becoming unlatched and spinning freely.
4. Remove hose stop (e) (FIG. 2) and dispensing valve (not shown) from end of hose.



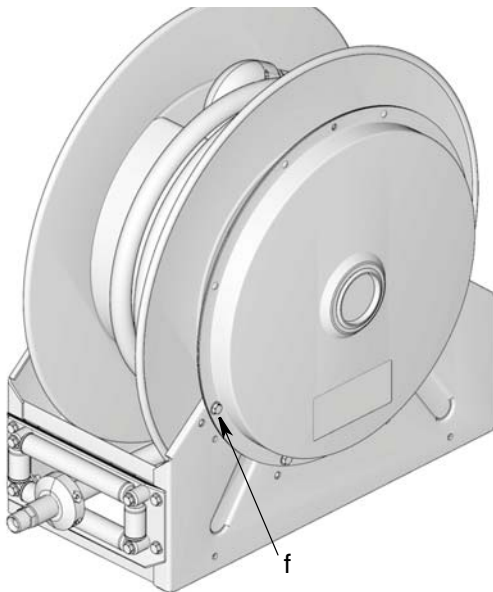
**FIG. 2**

- Remove screws (b) securing the roller plate (a) to the hose reel base. Save these parts to use in Step 8.



**FIG. 3: Inlet Side**

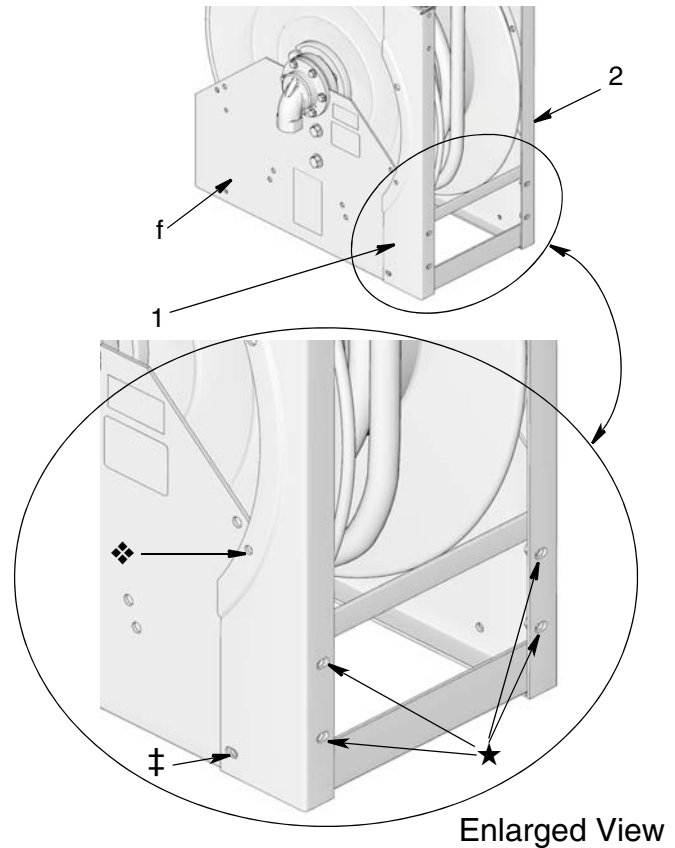
- XD40 Hose Reels With an A or B Spring ONLY:** Remove screw (f) from spring side as shown in FIG. 4.



**FIG. 4: Spring Side**

- Secure brackets (1) and (2) to hose reel base (f) using screws (3), nuts (4) and washers (5).

**NOTE:** Refer to the enlarged view in FIG. 5 and Installation Hardware Table for installation details.



**FIG. 5:**

Symbols  $\diamond$ ,  $\ddagger$ , and  $\star$  shown in FIG. 5 refer to the Installation Hardware Table. Use this Table to determine the hardware needed to install brackets on your hose reel and spring.

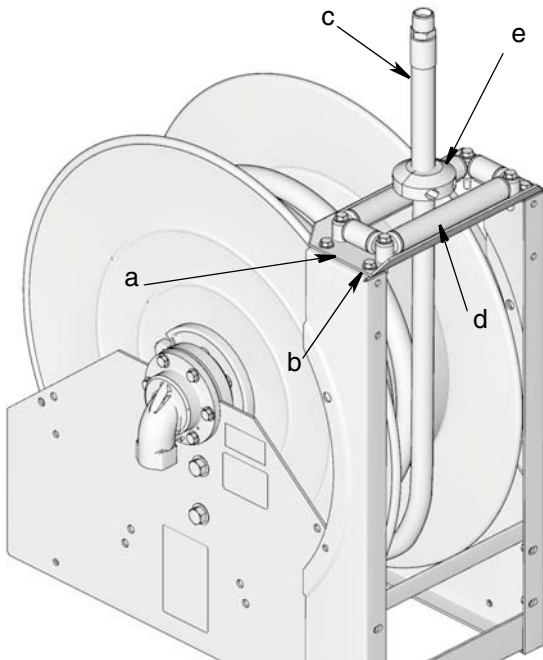
**Installation Hardware Table**

3 = Screw  
4 = Nut  
5 = Washer

| Hose Reel Model | Spring      | Item (FIG. 5) | Ref No. (see cover) 1 each |                     |
|-----------------|-------------|---------------|----------------------------|---------------------|
|                 |             |               | Spring Side (FIG. 4)       | Inlet Side (FIG. 3) |
| XD40            | C / D       | $\diamond$    | 3, 5                       | 3, 4, 5             |
|                 |             | $\ddagger$    | 3, 4                       | 3, 4                |
|                 |             | $\star$       | 3, 4                       | 3, 4                |
| XD40            | A / B       | $\diamond$    | 3*                         | 3, 4, 5             |
|                 |             | $\ddagger$    | 3, 4                       | 3, 4                |
|                 |             | $\star$       | 3, 4                       | 3, 4                |
| XD50            | All Springs | $\diamond$    | 3, 4                       | 3, 4                |
|                 |             | $\ddagger$    | 3, 4                       | 3, 4                |
|                 |             | $\star$       | 3, 4                       | 3, 4                |

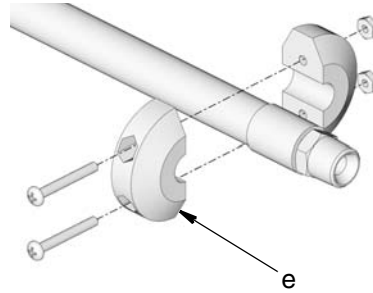
\*Screw was removed in Step 6. Reinstalled through bracket and spring canister.

8. Install the roller plate (a) to the roller support arms using screws (b) removed in Step 5.



**FIG. 6**

9. Reroute the hose (c) through the hose rollers (d).
10. Install the hose stop (e) and dispensing valve (not shown) to end of hose (FIG. 7).



**FIG. 7**

11. Remove c-clamp (B) (installed in Step 3). Unlatch the reel and allow the hose to retract.
12. See the XD40/XD50 Hose Reel instruction manual for overhead installation instructions.

*All written and visual data contained in this document reflects the latest product information available at the time of publication.  
Graco reserves the right to make changes at any time without notice.*

*For patent information, see [www.graco.com/patents](http://www.graco.com/patents).*

Original instructions. This manual contains English. MM 332355

**Graco Headquarters:** Minneapolis  
**International Offices:** Belgium, China, Japan, Korea

**GRACO INC. AND SUBSIDIARIES • P.O. BOX 1441 • MINNEAPOLIS MN 55440-1441 • USA**

**Copyright 2013, Graco Inc. All Graco manufacturing locations are registered to ISO 9001.**

[www.graco.com](http://www.graco.com)  
March 2014