



SAVILINO LEATHER



Impeccable design. Unforgettable impact. Elevate your table settings with Savilino's handcrafted leather creations.

ORDERING IS SIMPLE

1. FILL OUT THIS SHORT [CONTACT FORM](#) WITH THE ITEMS YOU'RE INTERESTED IN
2. SCHEDULE [FREE CONSULTATION](#) TO DISCUSS THE DETAILS WITH OUR DESIGN TEAM
3. RECEIVE DIGITAL MOCKUP WITHIN 24-48 HOURS OF INQUIRY
4. REVIEW FOR EDITS
5. FINAL APPROVAL
6. PRODUCTION AND DELIVERY

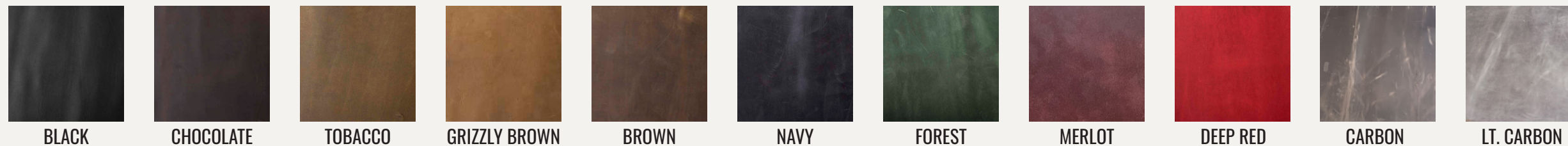
-
- [LEATHER OPTIONS](#).....pg. 3
 - [LASER ENGRAVING vs. DEBOSSING](#).....pg. 4
 - [CHECK PRESENTERS](#).....pg. 5
 - [DINNER / LARGE BEVERAGE MENUS](#).....pg. 10
 - [BEVERAGE / SMALL DINNER MENUS](#).....pg. 19
 - [FLAT MENUS](#).....pg. 27
 - [CONTACT FORM/SCHEDULE CONSULTATION](#).....pg. 31

“Working with the Savilino team is always a pleasure. They are receptive and flexible when it comes to new item creation and running with an inspiration or idea. The products are well-made, durable, and aesthetically divine! We have enhanced brands across our portfolio with check presenters, leather placemats, menu covers, and coasters from Savilino and I can't recommend them enough.”

LEATHER



ROUGHMAN ♦ Distressed to have that old worn look



OIL TAN ♦ Beautiful full grain cow ideal for chaps. Provides ultimate protection for all weather conditions



DAKOTA ♦ Has a slightly waxy surface and medium firm temper with a smooth tight grain



KODIAK BULLHIDE ♦ Medium to firm temper with a mild embossed print



YOUR LOGO

CHOOSE LOGO TREATMENT FOR YOUR MENU



LASER ENGRAVING - BEST FOR FINER DETAILS AND LINES



DEBOSSING - HEAT PRESSED INTO LEATHER

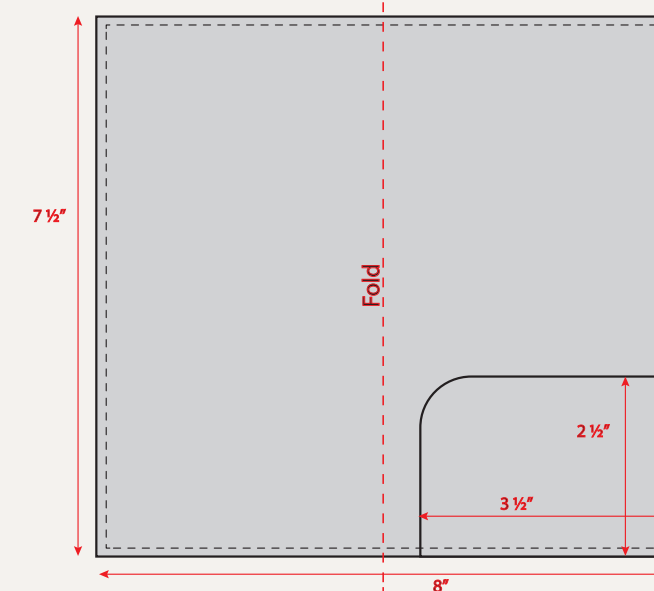
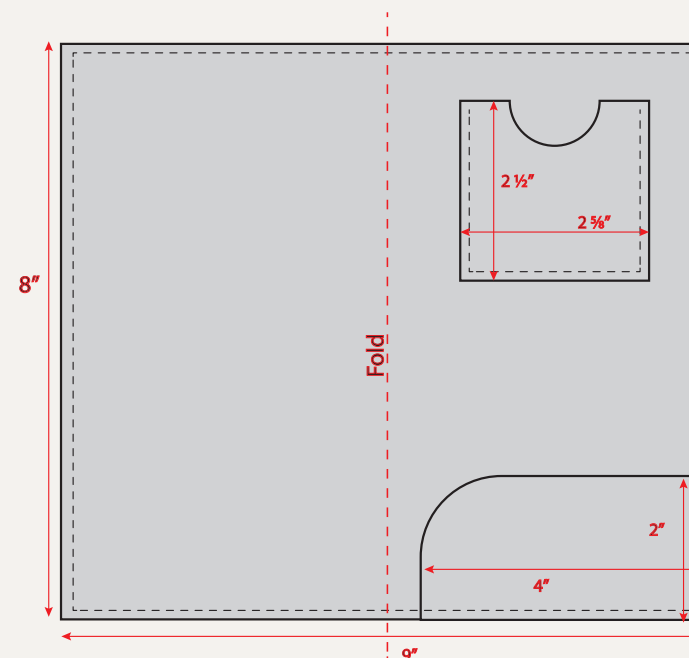
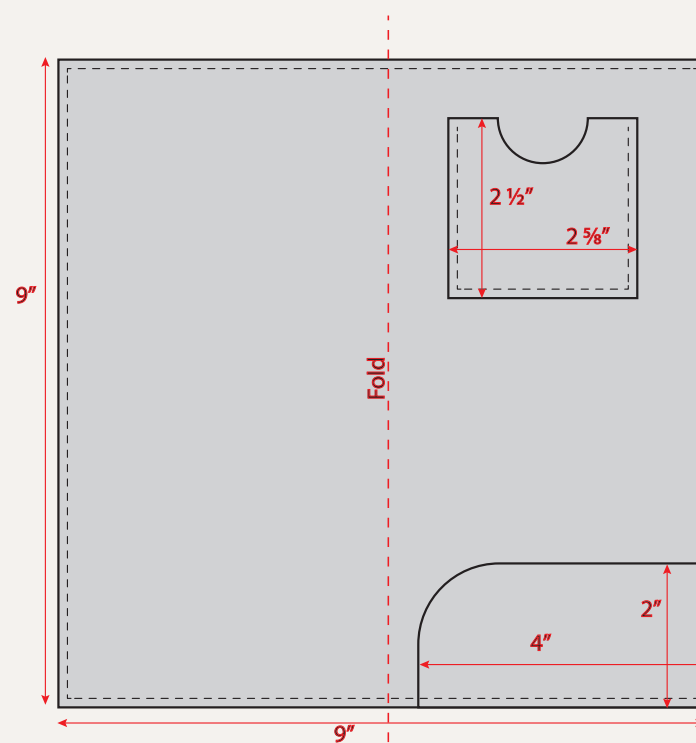
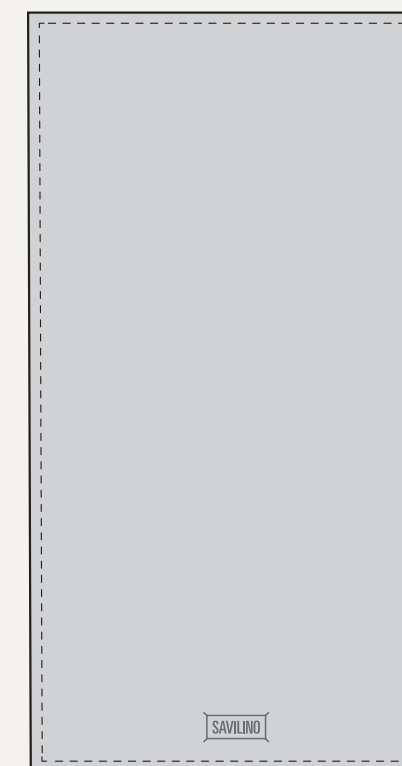
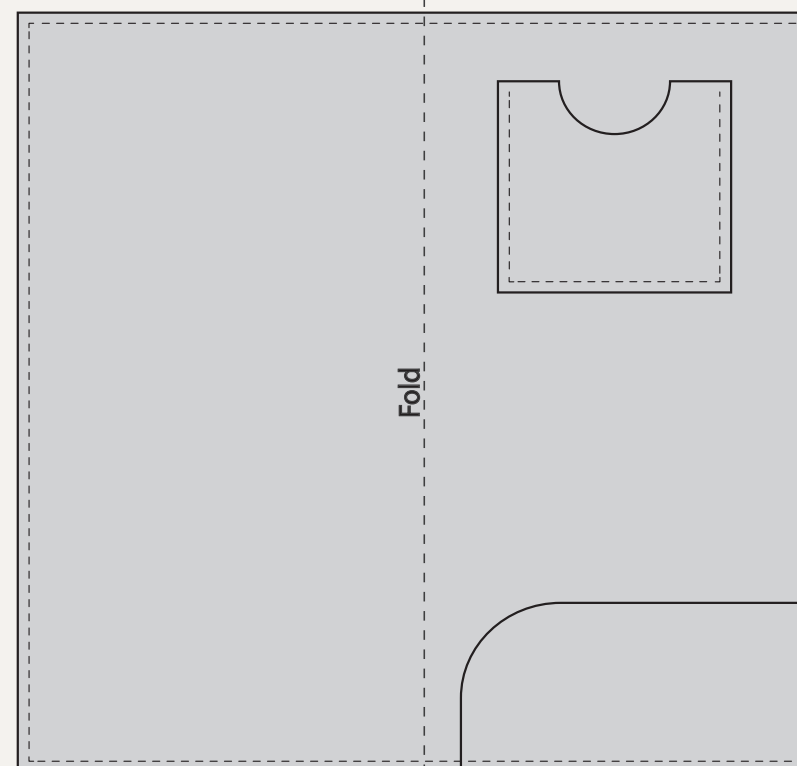
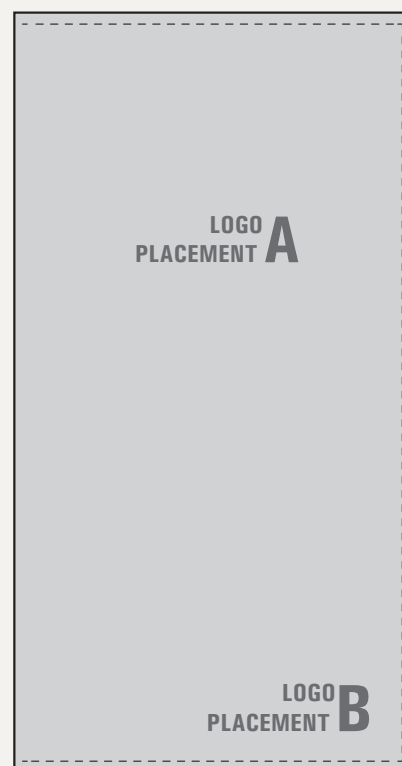


CHECK PRESENTERS

CHECK PRESENTERS BOOK STYLE



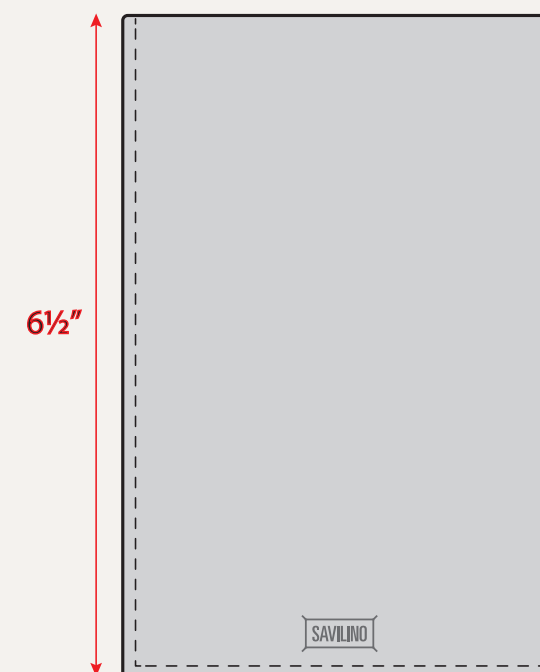
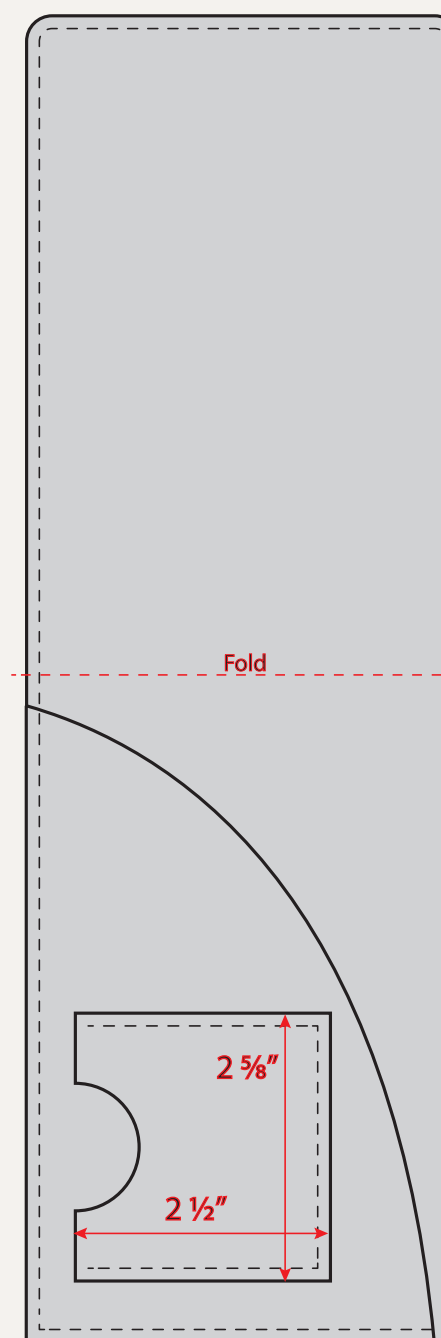
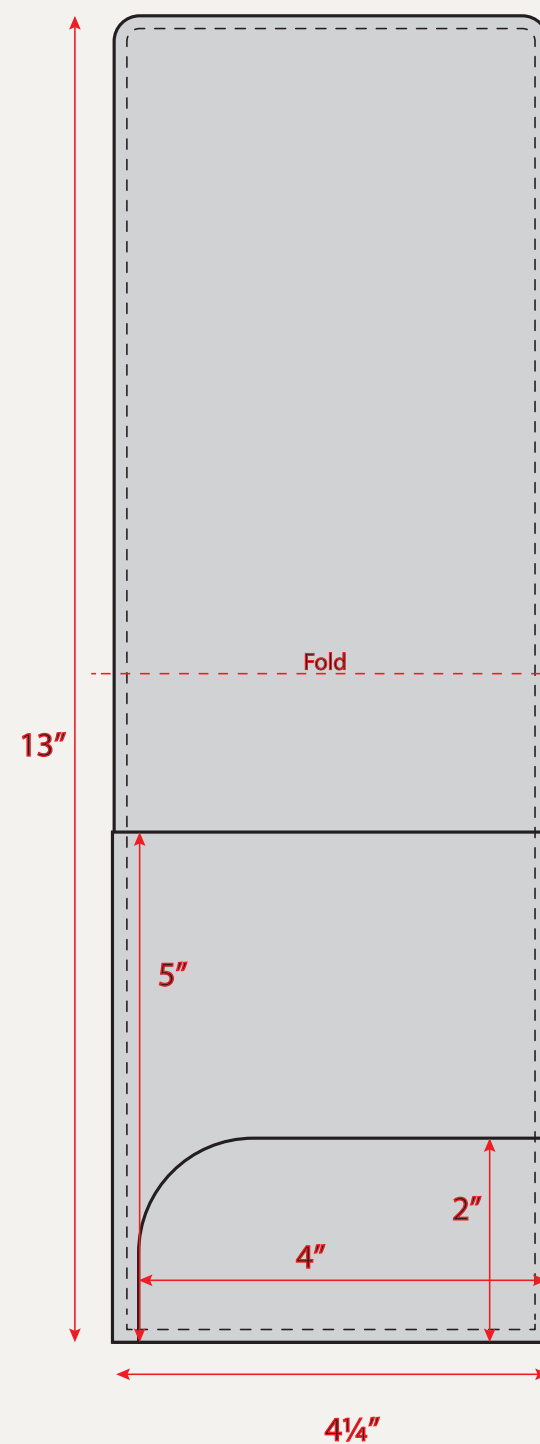
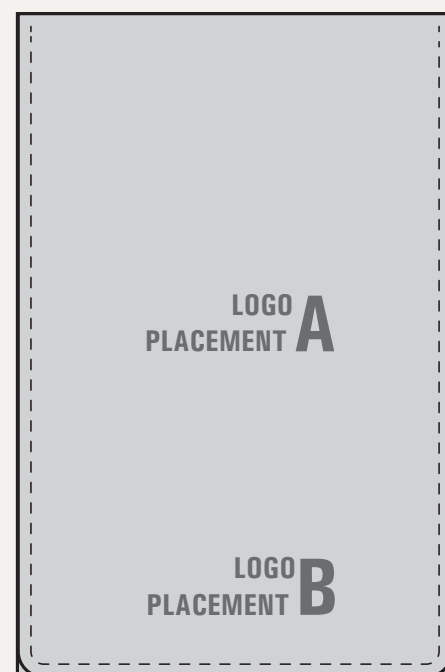
- FOLDED THICK LEATHER
- CREDIT CARD POCKET
- RECEIPT POCKET
- LARGE, MEDIUM, SMALL SIZES
- CAN ADD PEN HOLDER ON LARGE & MEDIUM
- LOGO ENGRAVED OR DEBOSSED
- ALTERNATE LOGO PLACEMENT AVAILABLE
- WIDE VARIETY OF LEATHER COLORS
- MATCHING OR CONTRAST STITCHING
- CUSTOM DESIGNS AVAILABLE



CHECK PRESENTERS FLIP-TOP STYLE



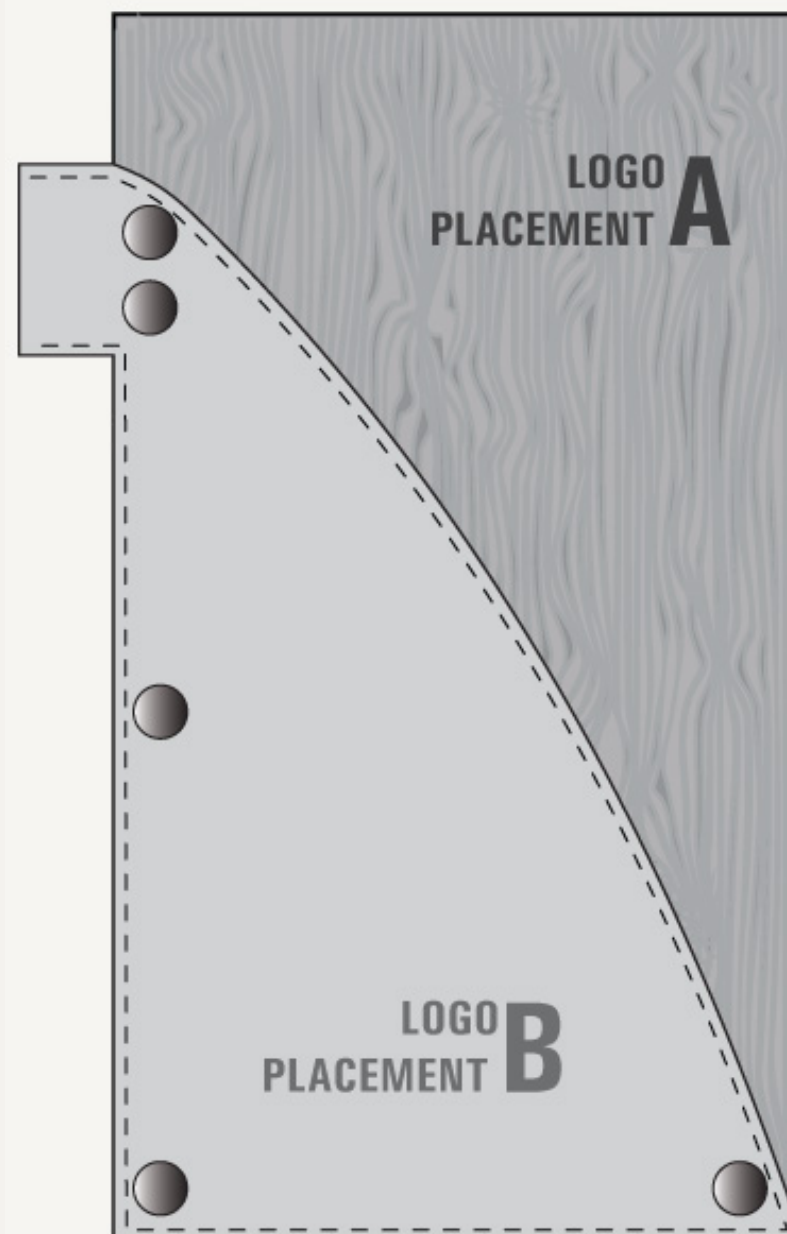
- FOLDED THICK LEATHER
- RECEIPT/ CREDIT CARD POCKET (STYLE 1)
- CREDIT CARD + RECEIPT POCKETS (STYLE 2)
- TWO STYLES
- LOGO ENGRAVED OR DEBOSSSED
- ALTERNATE LOGO PLACEMENT AVAILABLE
- WIDE VARIETY OF LEATHER COLORS
- MATCHING OR CONTRAST STITCHING
- CUSTOM DESIGNS AVAILABLE



CHECK PRESENTERS WOOD & LEATHER



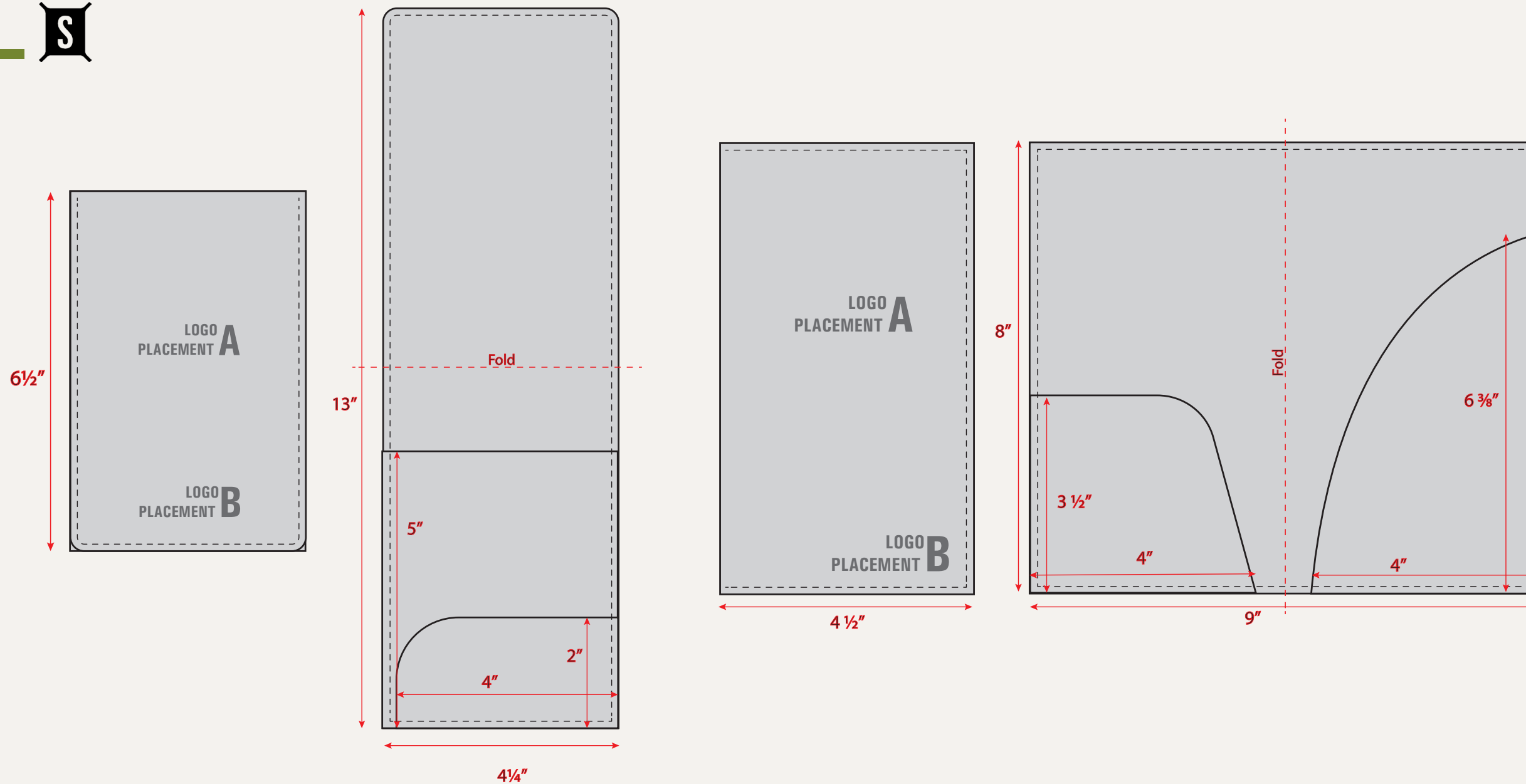
- WOOD STAINED COLOR OF CHOICE
- LEATHER CREDIT CARD/RECEIPT POCKET
- PEN HOLDER
- LOGO ENGRAVED ON WOOD OR LEATHER
- ALTERNATE LOGO PLACEMENT AVAILABLE
- WIDE VARIETY OF LEATHER COLORS
- WIDE VARIETY OF WOOD STAINS
- CUSTOM DESIGNS AVAILABLE



SERVER BOOKS



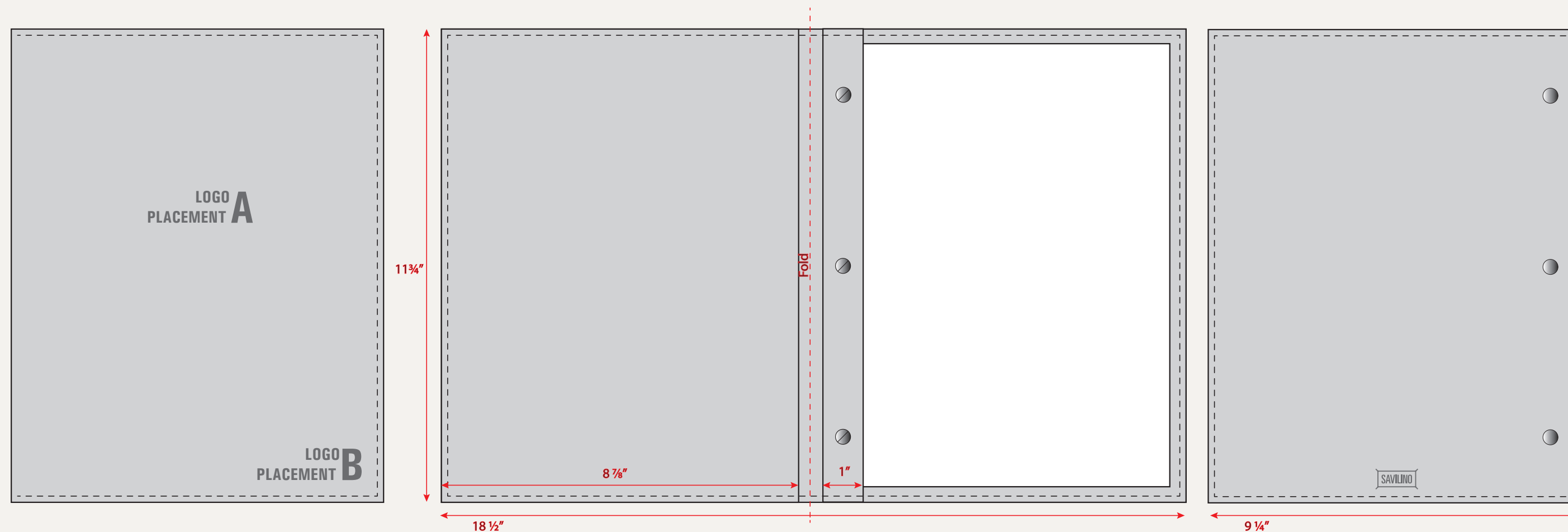
- FOLDED THICK LEATHER
- FLIP TOP OR BOOKLET STYLE
- POCKETS FOR NOTEPAD AND RECEIPTS
- LOGO ENGRAVED OR DEBOSSSED
- ALTERNATE LOGO PLACEMENT AVAILABLE
- WIDE VARIETY OF LEATHER COLORS
- MATCHING OR CONTRAST STITCHING
- CUSTOM DESIGNS AVAILABLE





MENU BOOKS
DINNER/LARGE BEVERAGE SIZES

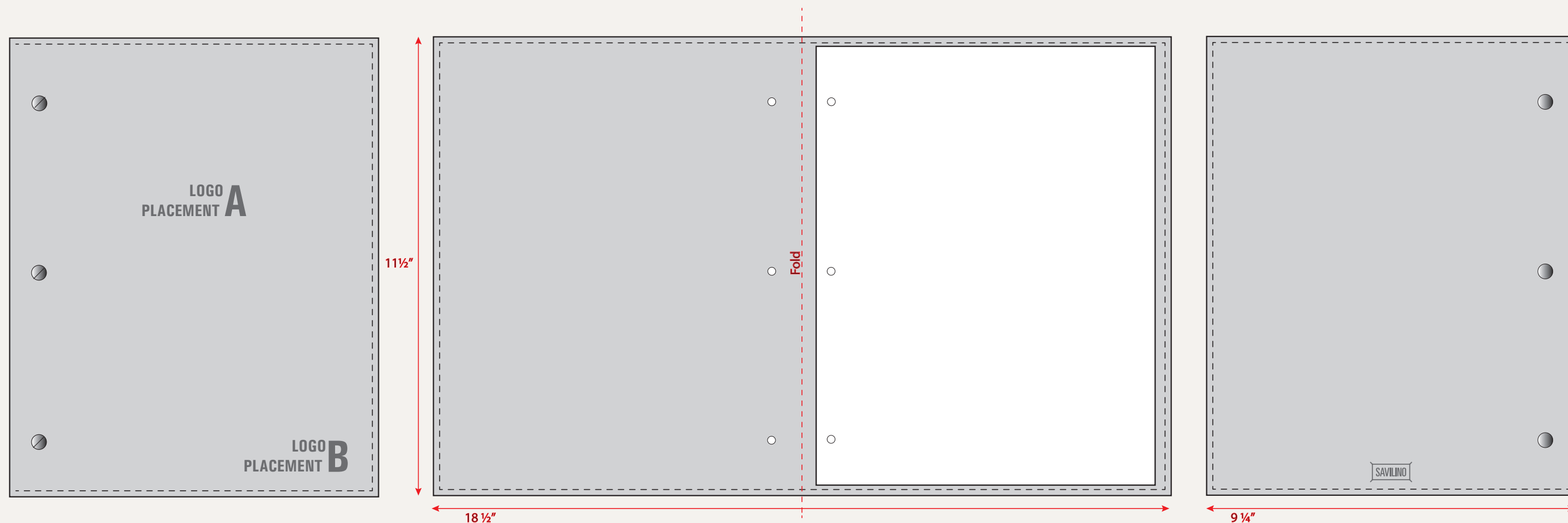
MENU BOOKS - FULL PAGE LETTER (8½ x 11) - CHICAGO SCREWS STURDY



- LETTER SIZE PAPER
- DOUBLE LAYER THICK LEATHER
- CAN ADD INSERT FOR EXTRA STIFFNESS
- CHICAGO SCREWS IN VARIOUS FINISHES
- LOGO ENGRAVED OR DEBOSSED

- ALTERNATE LOGO PLACEMENTS AVAILABLE
- WIDE VARIETY OF LEATHER COLORS
- MATCHING OR CONTRAST STITCHING
- CUSTOM DESIGNS & SIZES AVAILABLE
- FOILING

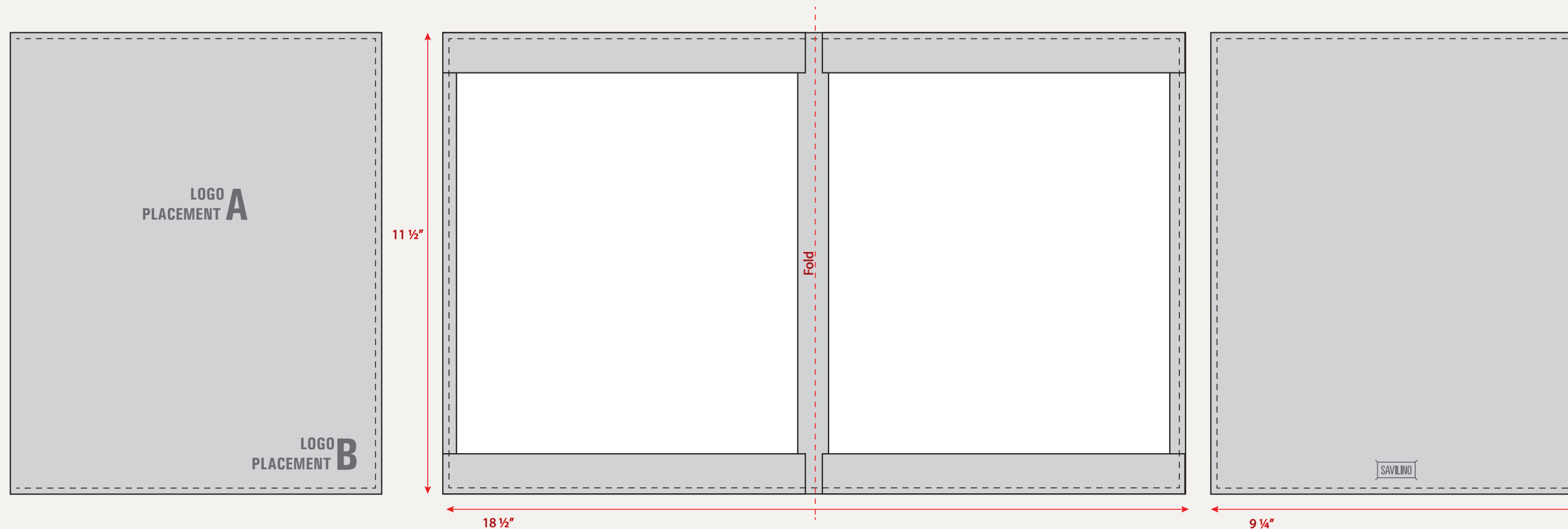
MENU BOOKS - FULL PAGE LETTER (8½ x 11) - CHICAGO SCREWS SOFTBACK



- LETTER SIZE PAPER
- SINGLE LAYER THICK FOLDED LEATHER
- CHICAGO SCREWS IN VARIOUS FINISHES
- SCREWS ALIGN WITH STANDARD 3 HOLE PUNCH
- LOGO ENGRAVED OR DEBOSSSED

- ALTERNATE LOGO PLACEMENTS AVAILABLE
- WIDE VARIETY OF LEATHER COLORS
- MATCHING OR CONTRAST STITCHING
- CUSTOM DESIGNS & SIZES AVAILABLE

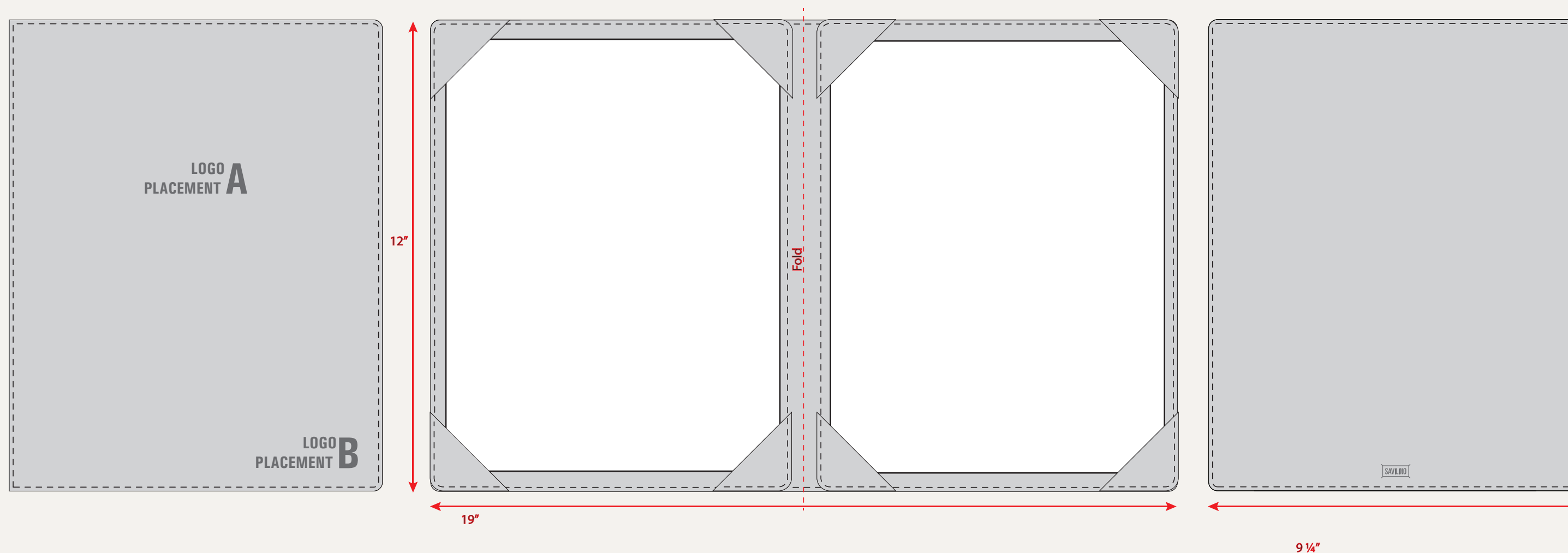
MENU BOOKS - FULL PAGE LETTER (8½ x 11) - UPPER/LOWER INSERTS



- LETTER SIZE PAPER
- LEATHER LINED + ADDED INSERT FOR STIFFNESS
- 1" UPPER AND LOWER BANDS HOLD 2 PAGES
- LOGO ENGRAVED OR DEBOSSED
- ALTERNATE LOGO PLACEMENTS AVAILABLE

- WIDE VARIETY OF LEATHER COLORS
- MATCHING OR CONTRAST STITCHING
- CUSTOM DESIGNS & SIZES AVAILABLE
- FOILING

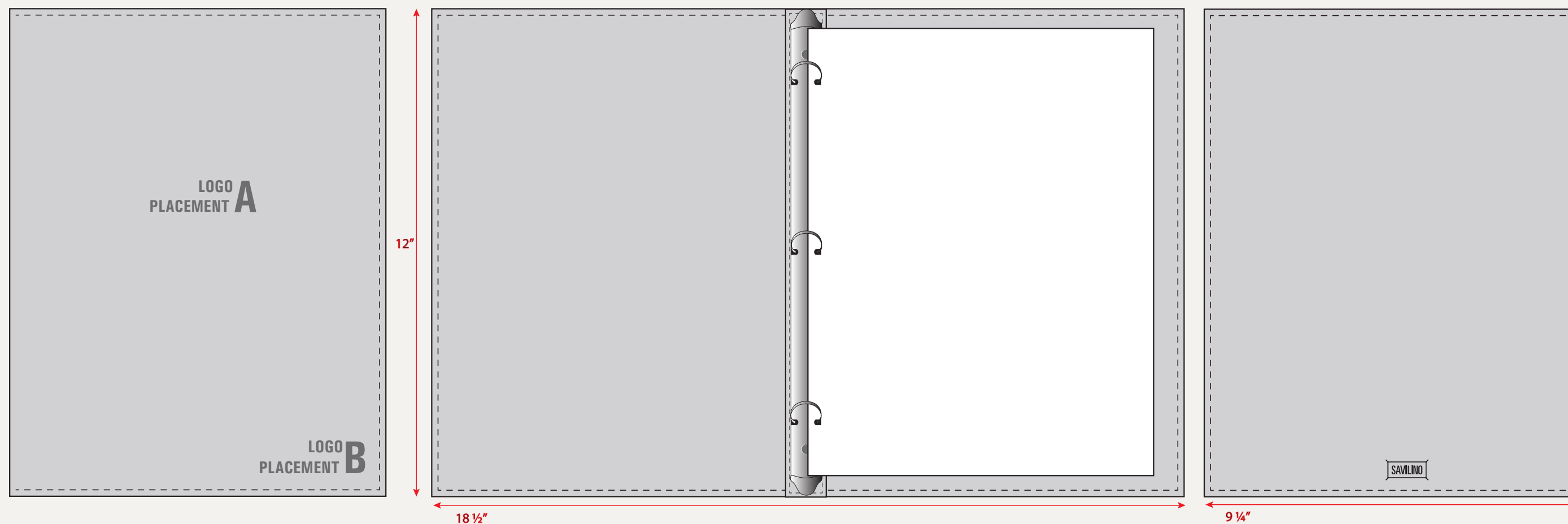
MENU BOOKS - FULL PAGE LETTER (8½ x 11) - CORNER TABS



- LETTER SIZE PAPER
- DOUBLE LAYER THICK LEATHER OR EXTRA THICK RAW LEATHER
- CAN ADD INSERT FOR EXTRA STIFFNESS
- CORNER TABS HOLD 2 PAGES
- LOGO ENGRAVED OR DEBOSSSED

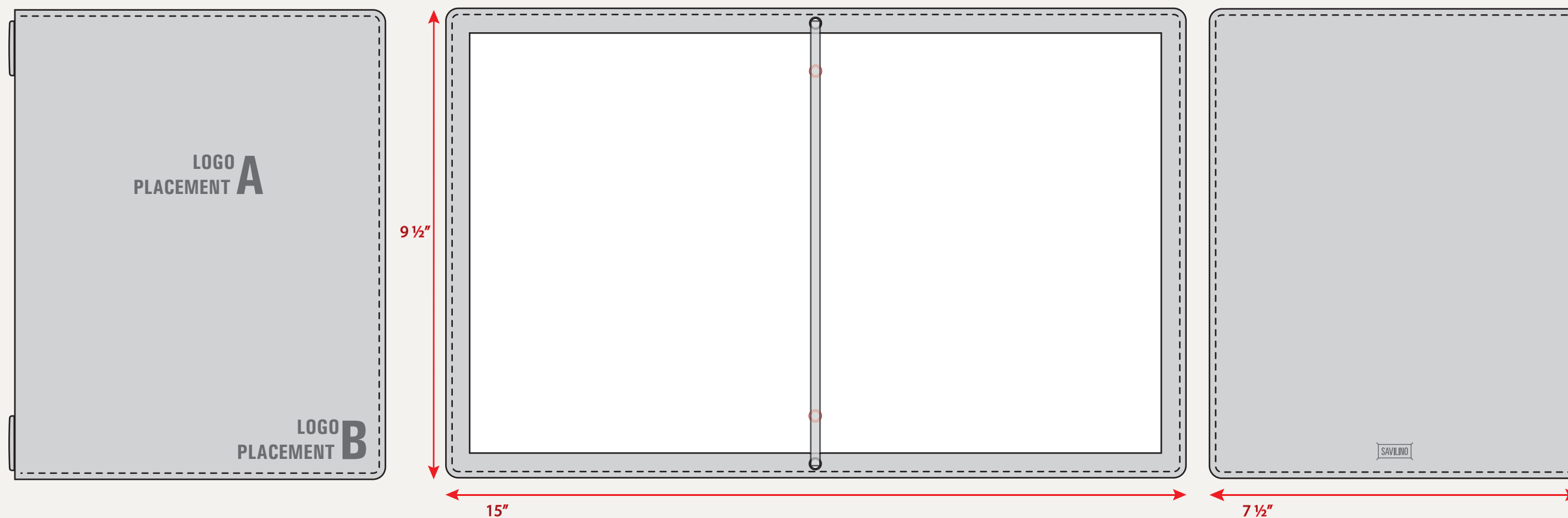
- ALTERNATE LOGO PLACEMENTS AVAILABLE
- WIDE VARIETY OF LEATHER COLORS
- MATCHING OR CONTRAST STITCHING
- CUSTOM DESIGNS & SIZES AVAILABLE
- FOILING

MENU BOOKS - FULL PAGE LETTER (8½ x 11) - BINDER



- LETTER SIZE PAPER
- SINGLE LAYER THICK LEATHER OR EXTRA THICK RAW LEATHER
- BINDER HARDWARE STANDARD 3-HOLE IN GOLD, NICKEL, BLACK
- LOGO ENGRAVED OR DEBOSSSED
- ALTERNATE LOGO PLACEMENTS AVAILABLE
- WIDE VARIETY OF LEATHER COLORS
- MATCHING OR CONTRAST STITCHING
- CUSTOM DESIGNS & SIZES AVAILABLE
- FOILING

MENU BOOKS - SPLIT PAGE LEGAL (8½ x 14) - LANDSCAPE w/LEATHER STRAP



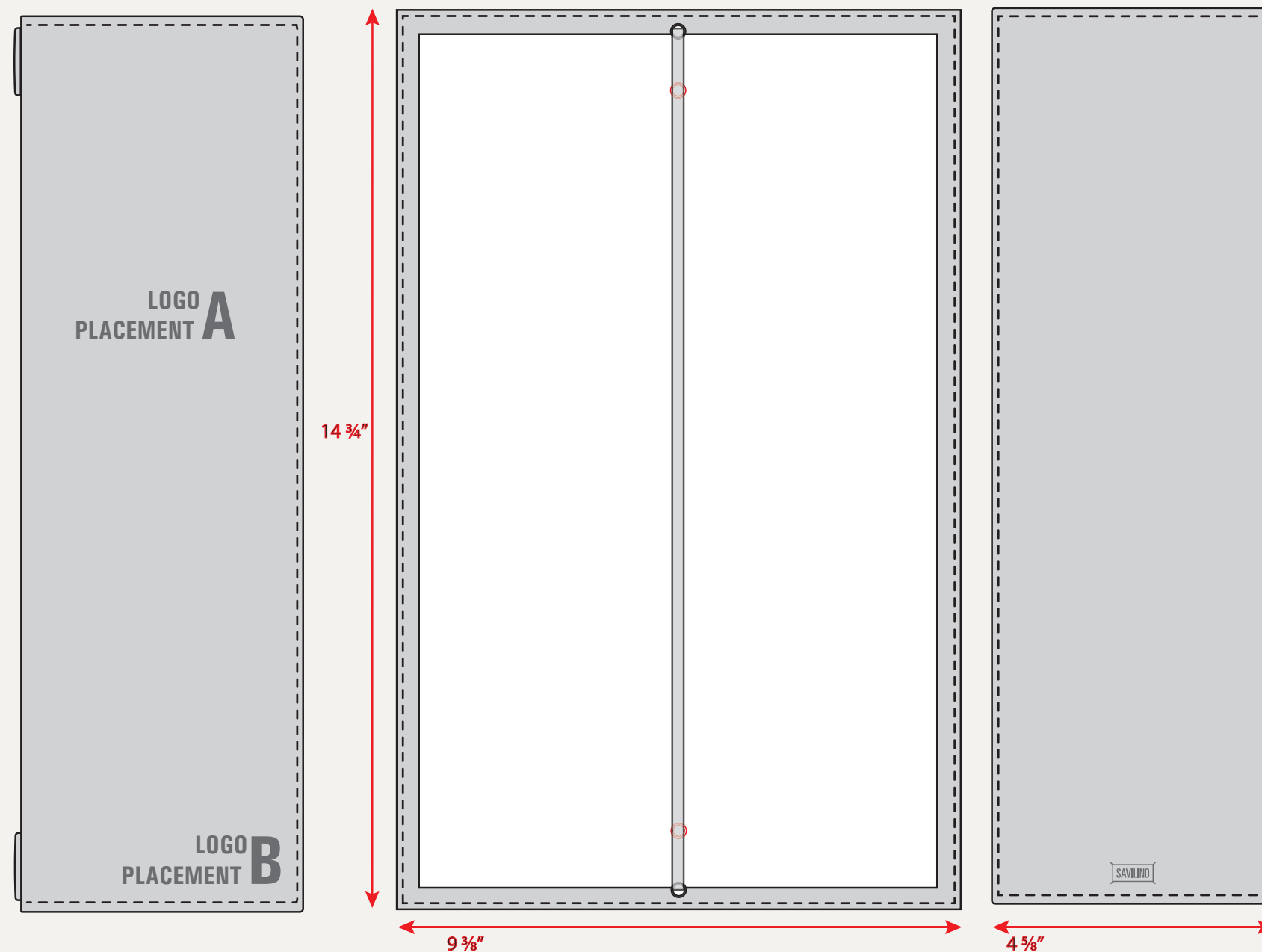
- LEGAL SIZE PAPER
- DOUBLE LAYER THICK LEATHER
- CAN ADD INSERT OR LINING FOR EXTRA STIFFNESS
- LEATHER STRAP HOLDS AND DIVIDES PAGES
- LOGO ENGRAVED OR DEBOSSSED

- ALTERNATE LOGO PLACEMENTS AVAILABLE
- WIDE VARIETY OF LEATHER COLORS
- MATCHING OR CONTRAST STITCHING
- CUSTOM DESIGNS & SIZES AVAILABLE
- FOILING

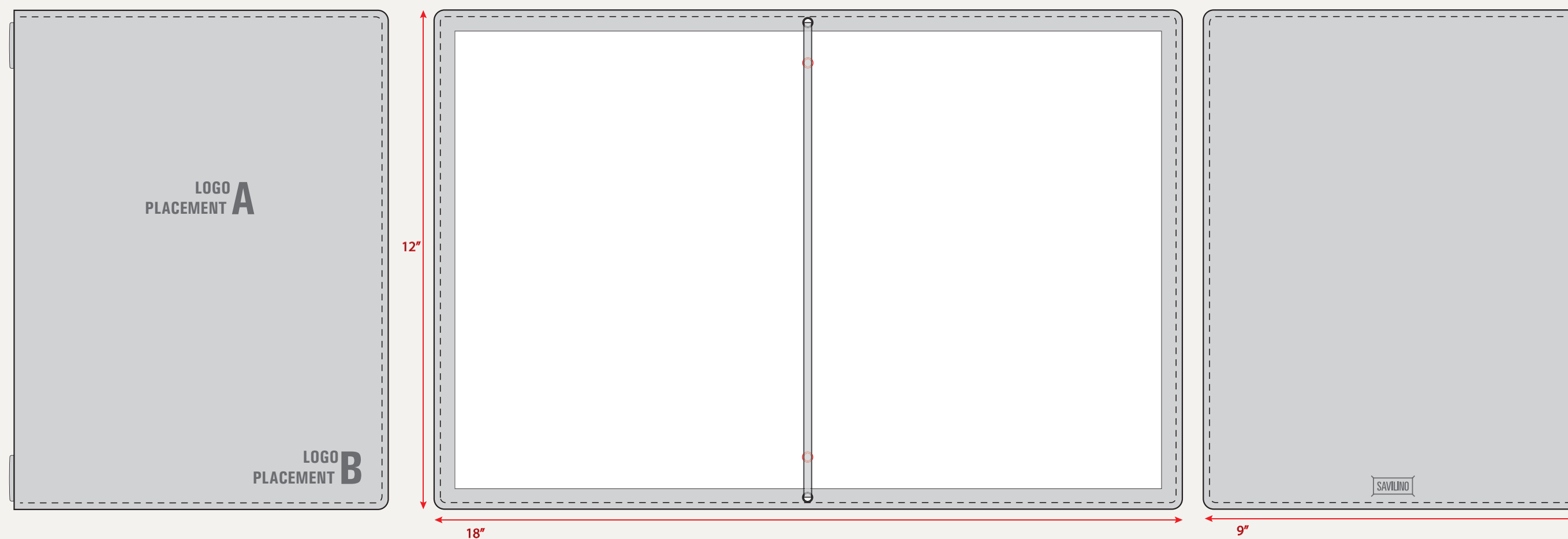
MENU BOOKS - SPLIT PAGE LEGAL (8½ x 14) - PORTRAIT w/LEATHER STRAP



- LEGAL SIZE PAPER
- DOUBLE LAYER THICK LEATHER
- CAN ADD INSERT FOR EXTRA STIFFNESS
- LEATHER STRAP HOLDS AND DIVIDES PAGES
- LOGO ENGRAVED OR DEBOSSSED
- ALTERNATE LOGO PLACEMENTS AVAILABLE
- WIDE VARIETY OF LEATHER COLORS
- MATCHING OR CONTRAST STITCHING
- CUSTOM DESIGNS & SIZES AVAILABLE
- FOILING



MENU BOOKS - SPLIT PAGE TABLOID (8½ x 11) - LANDSCAPE w/LEATHER STRAP



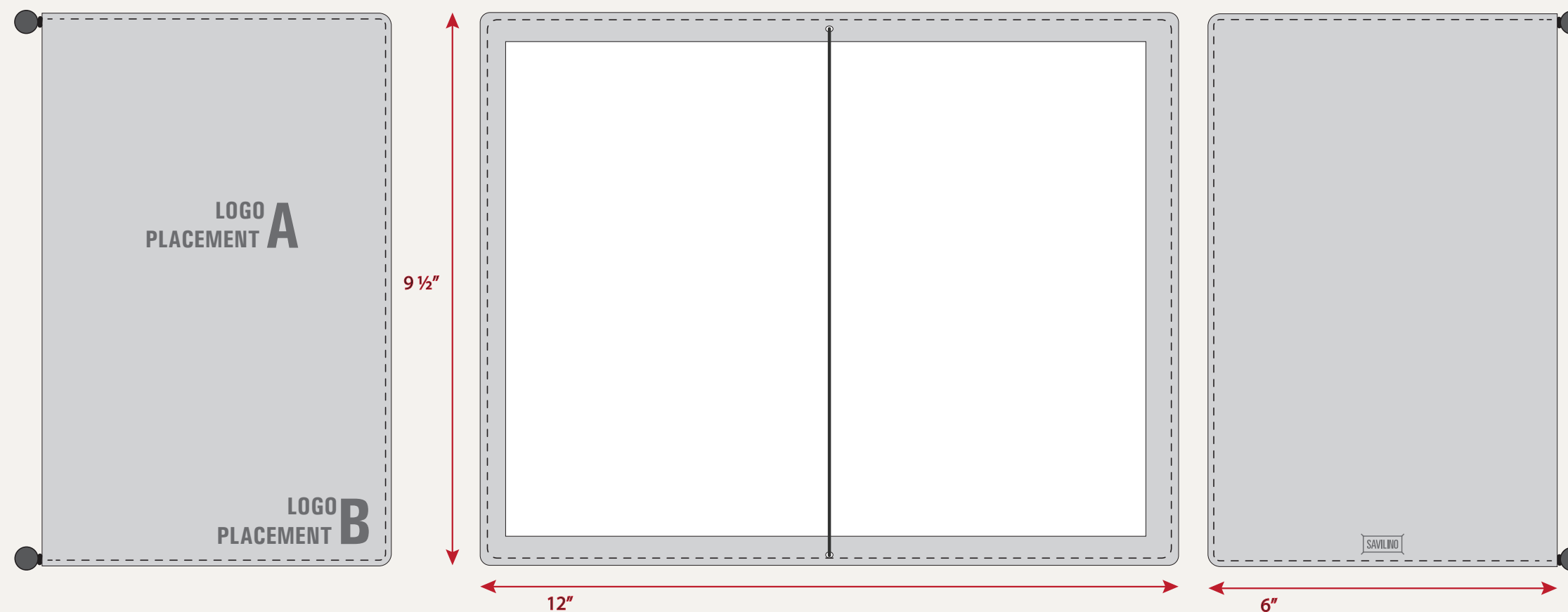
- TABLOID SIZE PAPER
- SINGLE LAYER THICK FOLDED LEATHER
- CAN ADD INSERT/LINING FOR EXTRA STIFFNESS
- LEATHER STRAP HOLDS AND DIVIDES PAGES
- LOGO ENGRAVED OR DEBOSSED

- ALTERNATE LOGO PLACEMENTS AVAILABLE
- WIDE VARIETY OF LEATHER COLORS
- MATCHING OR CONTRAST STITCHING
- CUSTOM DESIGNS & SIZES AVAILABLE
- FOILING



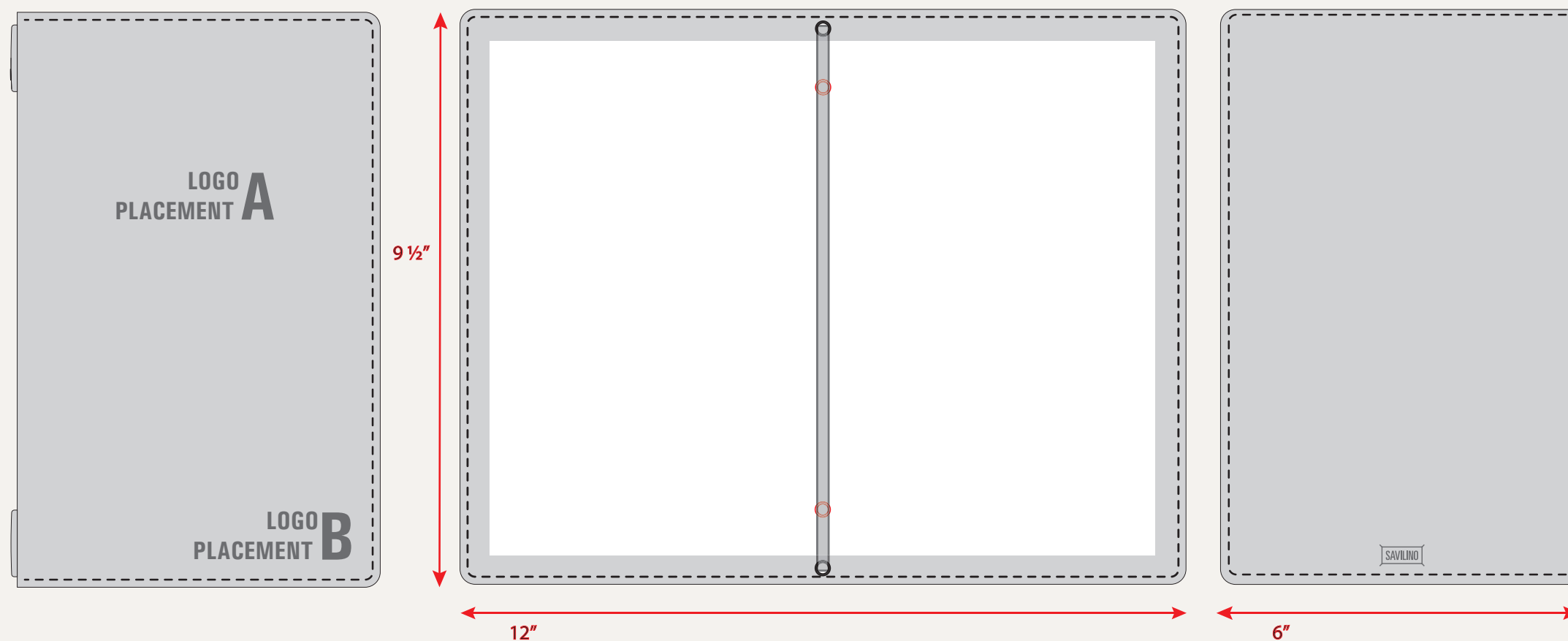
MENU BOOKS
BEVERAGE/SMALL DINNER SIZES

MENU BOOKS - SPLIT PAGE LETTER (8½ x 11) - ELASTIC w/BEADS



- LETTER SIZE PAPER
- SINGLE LAYER THICK FOLDED LEATHER (CAN BE LINED)
- ELASTIC HOLDS AND DIVIDES PAGES
- WOODEN BEADS CONCEAL ENDS OF ELASTIC
- LOGO ENGRAVED OR DEBOSSED
- ALTERNATE LOGO PLACEMENTS AVAILABLE
- WIDE VARIETY OF LEATHER COLORS
- MATCHING OR CONTRAST STITCHING
- CUSTOM DESIGNS & SIZES AVAILABLE
- FOILING

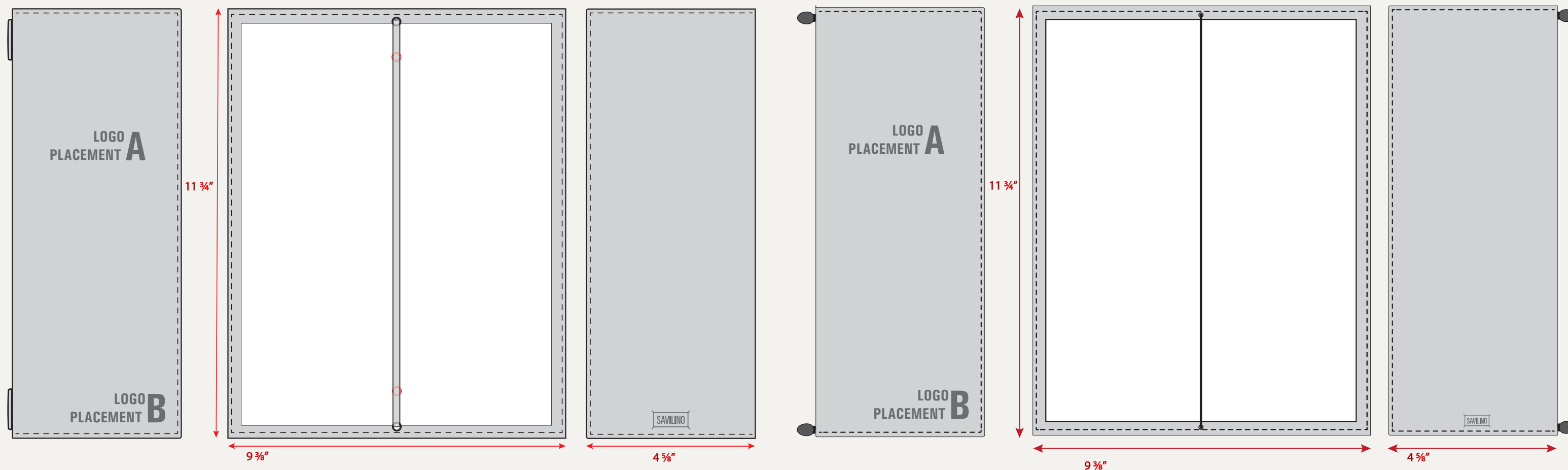
MENU BOOKS - SPLIT PAGE LETTER (8½ x 11) - LEATHER STRAP



- LETTER SIZE PAPER
- SINGLE LAYER THICK FOLDED LEATHER (CAN BE LINED)
- LEATHER STRAP HOLDS AND DIVIDES PAGES
- LOGO ENGRAVED OR DEBOSSED
- ALTERNATE LOGO PLACEMENTS AVAILABLE

- WIDE VARIETY OF LEATHER COLORS
- MATCHING OR CONTRAST STITCHING
- CUSTOM DESIGNS & SIZES AVAILABLE
- FOILING

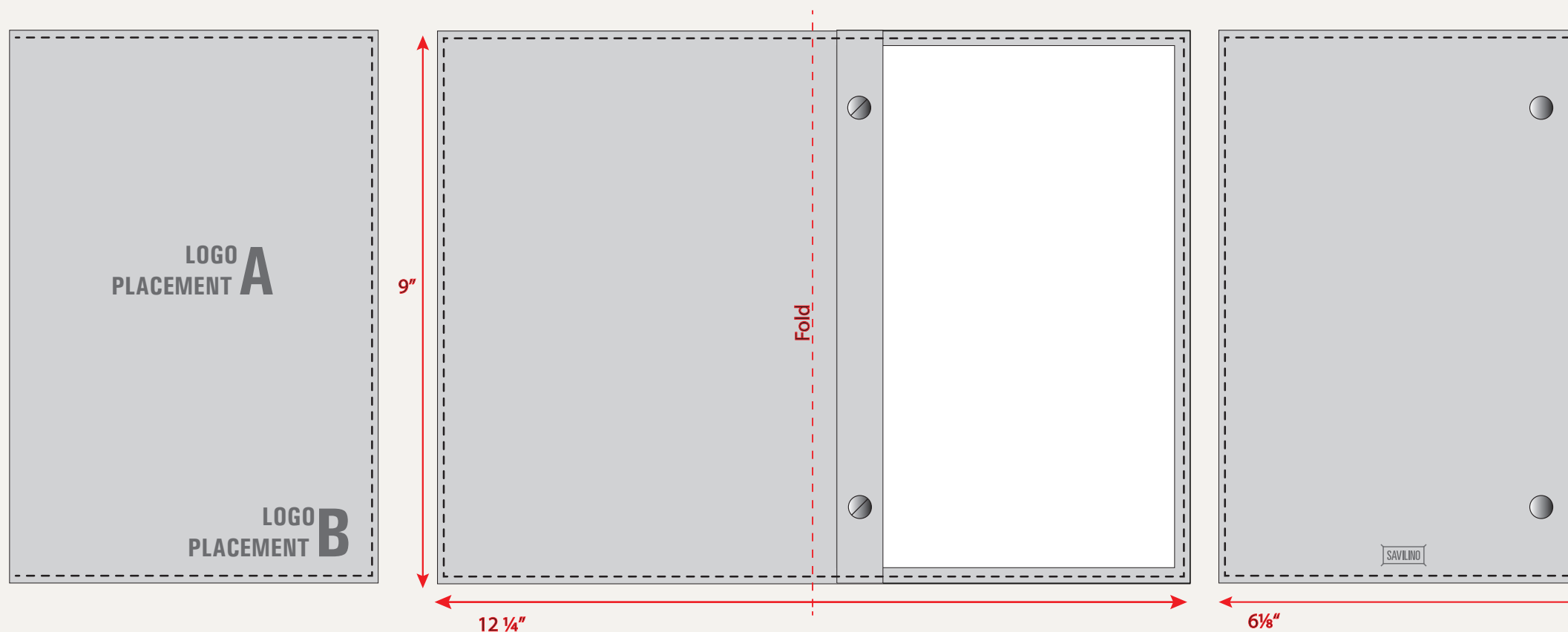
MENU BOOKS - SPLIT PAGE LETTER (8½ x 11) - LEATHER OR ELASTIC w/BEADS



- LETTER SIZE PAPER
- SINGLE LAYER THICK FOLDED LEATHER
- LINED WITH LEATHER OR CUSTOM CARDSTOCK
- LEATHER STRAP/ELASTIC w/BEADS HOLDS AND DIVIDES PAGES
- LOGO ENGRAVED OR DEBOSSED

- ALTERNATE LOGO PLACEMENTS AVAILABLE
- WIDE VARIETY OF LEATHER COLORS
- MATCHING OR CONTRAST STITCHING
- CUSTOM DESIGNS & SIZES AVAILABLE
- FOILING

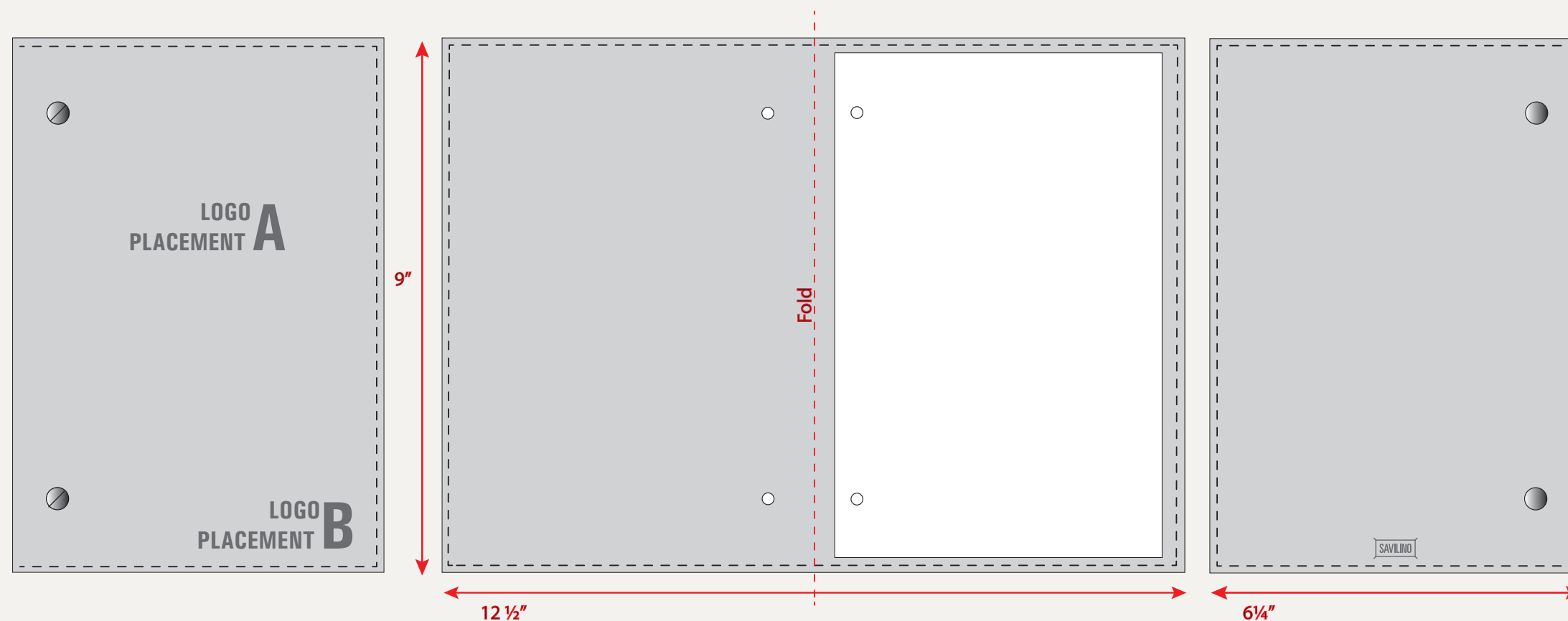
MENU BOOKS - HALF PAGE LETTER (5½ x 8½) CHICAGO SCREWS STURDY



- HALF LETTER SIZE PAPER
- SINGLE LAYER THICK FOLDED LEATHER
- DOUBLE LAYER THICK LEATHER ON PAPER SIDE
- CHICAGO SCREWS IN VARIOUS FINISHES
- LOGO ENGRAVED OR DEBOSSED

- ALTERNATE LOGO PLACEMENTS AVAILABLE
- WIDE VARIETY OF LEATHER COLORS
- MATCHING OR CONTRAST STITCHING
- CUSTOM DESIGNS & SIZES AVAILABLE
- FOILING

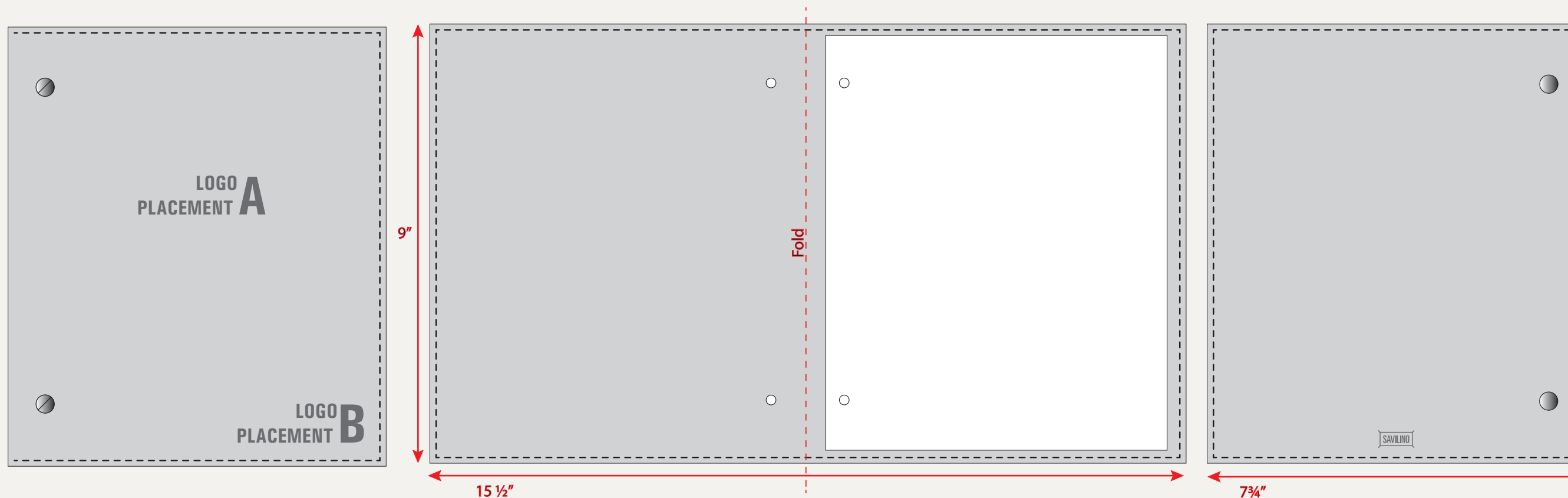
MENU BOOKS - HALF PAGE LETTER (5½ x 8½) - CHICAGO SCREWS SOFTBACK



- HALF LETTER SIZE PAPER
- SINGLE LAYER THICK FOLDED LEATHER
- CHICAGO SCREWS IN VARIOUS FINISHES
- LOGO ENGRAVED OR DEBOSSSED
- ALTERNATE LOGO PLACEMENTS AVAILABLE

- WIDE VARIETY OF LEATHER COLORS
- MATCHING OR CONTRAST STITCHING
- CUSTOM DESIGNS & SIZES AVAILABLE
- FOILING

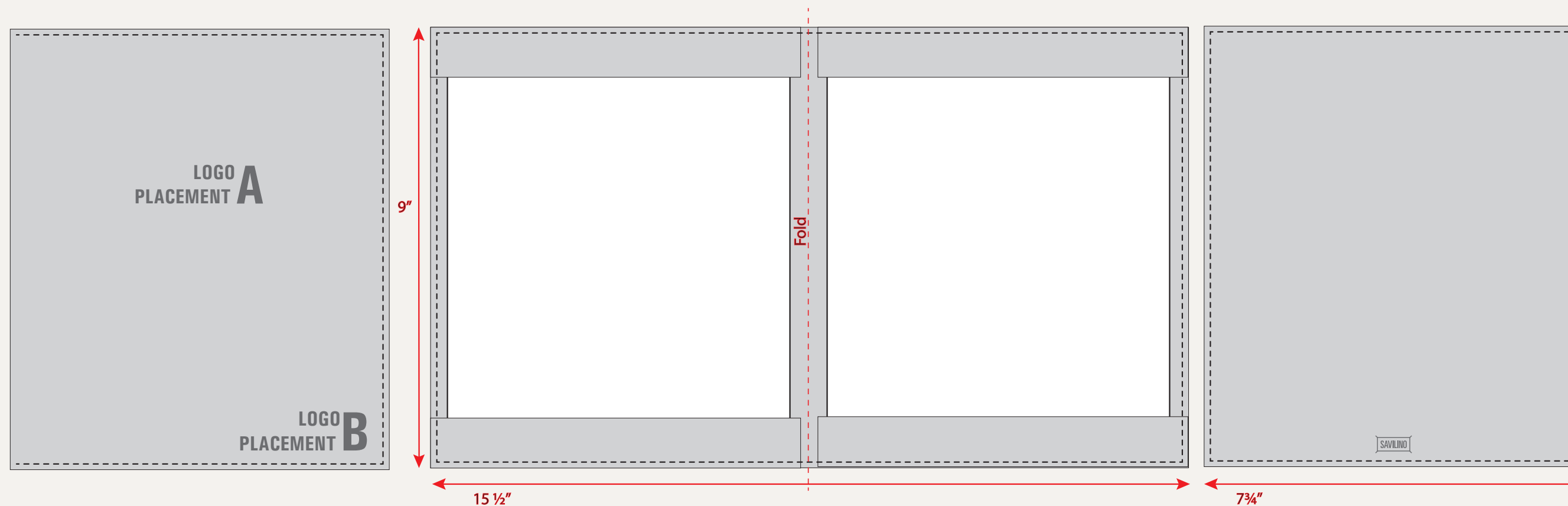
MENU BOOKS - HALF PAGE LEGAL (8½ x 7) - CHICAGO SCREWS SOFTBACK



- HALF LEGAL SIZE PAPER
- SINGLE LAYER THICK FOLDED LEATHER
- CHICAGO SCREWS IN VARIOUS FINISHES
- LOGO ENGRAVED OR DEBOSSED
- ALTERNATE LOGO PLACEMENTS AVAILABLE

- WIDE VARIETY OF LEATHER COLORS
- MATCHING OR CONTRAST STITCHING
- CUSTOM DESIGNS & SIZES AVAILABLE
- FOILING

MENU BOOKS - HALF PAGE LEGAL (8½ x 7) - UPPER/LOWER INSERTS



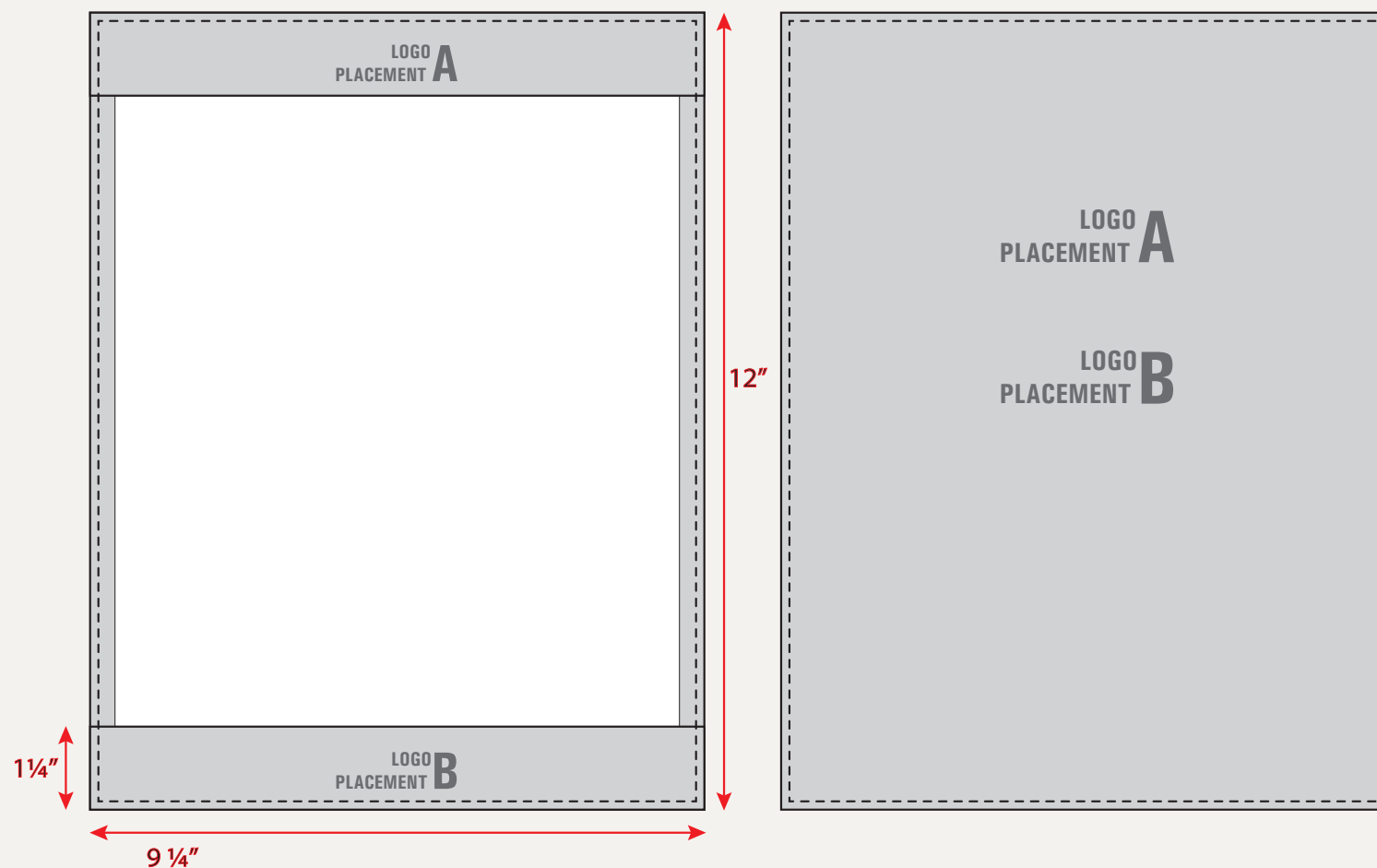
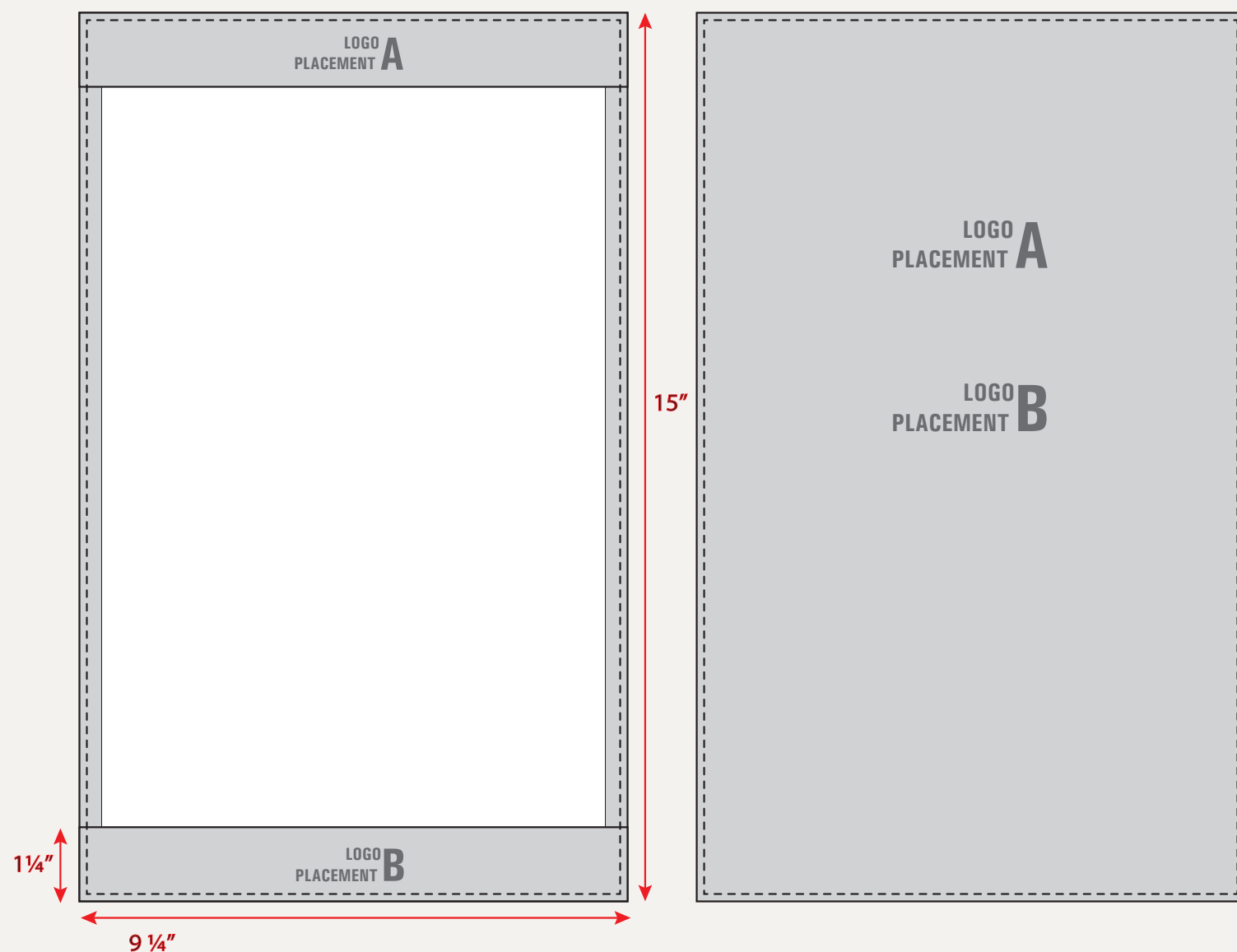
- HALF LEGAL SIZE PAPER
- LEATHER LINED + ADDED INSERT FOR STIFFNESS
- 1" UPPER AND LOWER BANDS HOLD 2 PAGES
- LOGO ENGRAVED OR DEBOSSED
- ALTERNATE LOGO PLACEMENTS AVAILABLE

- WIDE VARIETY OF LEATHER COLORS
- MATCHING OR CONTRAST STITCHING
- CUSTOM DESIGNS & SIZES AVAILABLE
- FOILING



FLAT MENUS

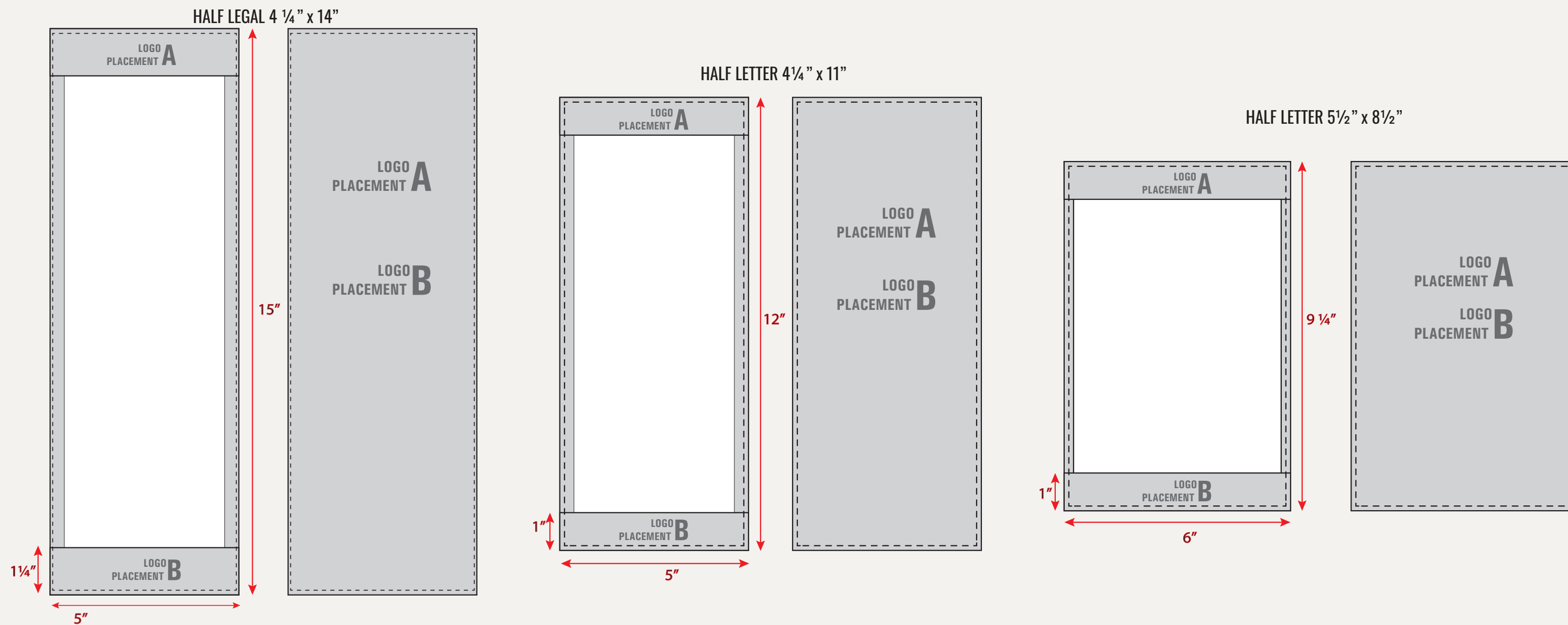
FLAT MENUS - FULL PAGE LEGAL (8½ x 14) & LETTER (8½ x 11)



- PAPER IN PORTRAIT OR LANDSCAPE
- DOUBLE LAYER THICK LEATHER
- INSERT ADDED FOR EXTRA STIFFNESS
- 1¼" LEATHER BANDS HOLD SINGLE PAGE
- LOGO ENGRAVED OR DEBOSSED

- ALTERNATE LOGO PLACEMENTS AVAILABLE
- WIDE VARIETY OF LEATHER COLORS
- MATCHING OR CONTRAST STITCHING
- CUSTOM DESIGNS & SIZES AVAILABLE
- FOILING

FLAT MENUS - HALF PAGE LEGAL (4¼ x 14) & LETTER (4¼ x 11),(5½ x 8½)



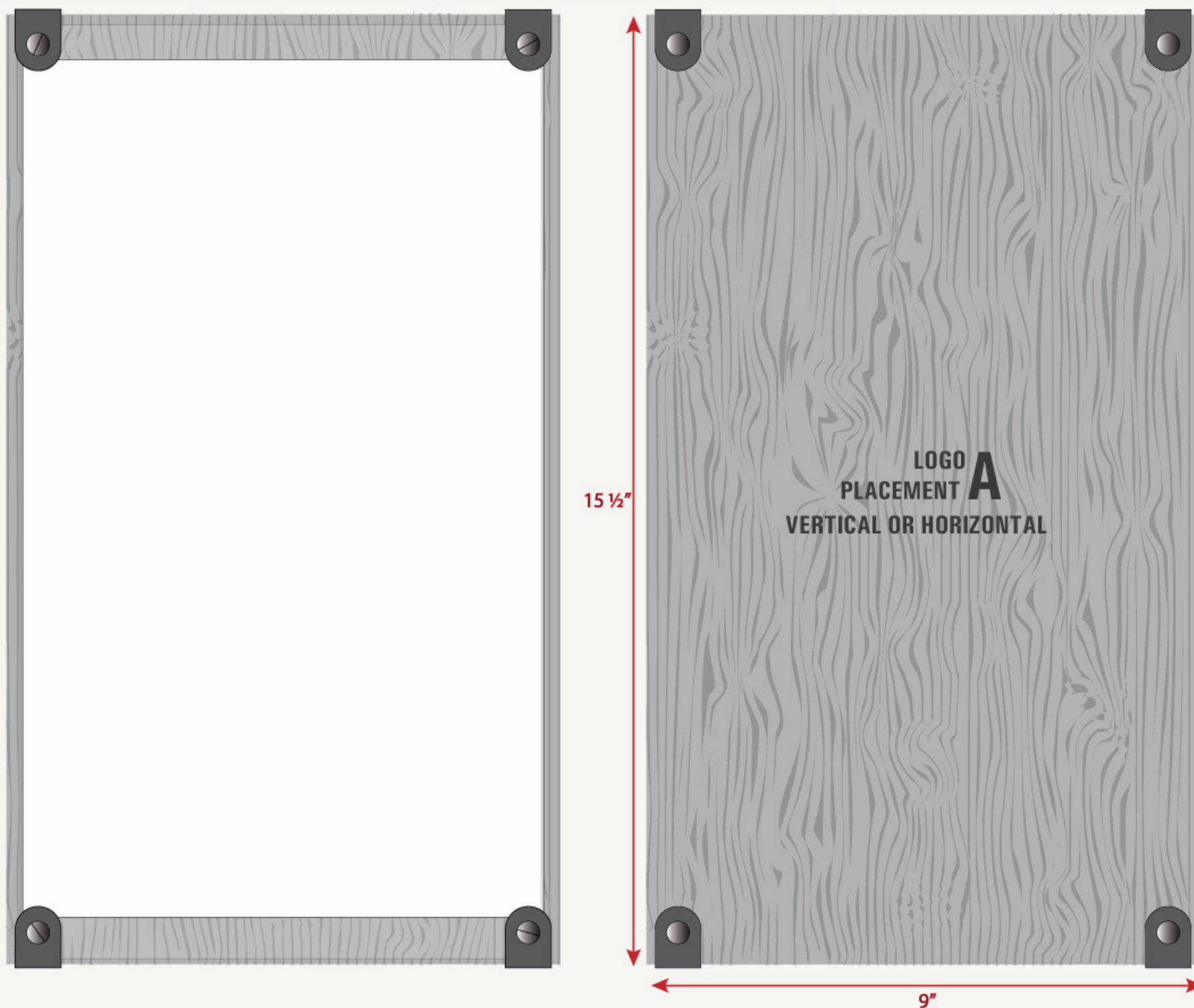
- PAPER IN PORTRAIT, SMALL IN PORTRAIT OR LANDSCAPE
- DOUBLE LAYER THICK LEATHER
- INSERT ADDED FOR EXTRA STIFFNESS
- 1" - 1¼" LEATHER BANDS HOLD SINGLE PAGE
- LOGO ENGRAVED OR DEBOSSED

- ALTERNATE LOGO PLACEMENTS AVAILABLE
- WIDE VARIETY OF LEATHER COLORS
- MATCHING OR CONTRAST STITCHING
- CUSTOM DESIGNS & SIZES AVAILABLE
- FOILING

FLAT MENUS WOODEN - FULL PAGE LEGAL (8½ x 14) & LETTER (8½ x 11)



- WOOD STAINED COLOR OF CHOICE
- LEATHER CREDIT CARD/RECEIPT POCKET
- LOGO ENGRAVED ON WOOD OR LEATHER
- ALTERNATE LOGO PLACEMENT AVAILABLE
- WIDE VARIETY OF LEATHER COLORS
- WIDE VARIETY OF WOOD STAINS
- CUSTOM DESIGNS AVAILABLE





20 Unit Minimum Opening Orders Per Style

12 Unit Minimums for Re-orders

Average Lead Time 2-4 weeks

Bulk Discounts

Schedule Free Consultation Now - CLICK A TIME THAT WORKS FOR YOU

Before scheduling a consultation, please take a moment to fill out the [CONTACT FORM](#) with the items you are interested in

Schedule 15 Minutes

General Inquiries and Quick Orders

Schedule 30 Minutes

Detailed Inquiries and Multi-Item Orders

Schedule 45 Minutes

Discuss a custom project

"We have been working with Savilino for the past 7 years in both of our restaurants. Their passion, creativity, timeliness, and craftsmanship are second to none. Won't use anyone else for our custom design needs."

Matt Creekmore, Chingón; ATX Cocina / Bulevar Mexican Kitchen