



ROYER SF-2

Active Ribbon-Velocity Studio Microphone

The SF-2 is a compact, monaural, phantom powered active ribbon microphone, exhibiting flat frequency response and a well balanced, panoramic soundfield. The SF-2 has superb transient response due to its low-mass 1.8-micron ribbon element. Frequency response is excellent regardless of the angle of sound striking the ribbon, and off-axis coloration is negligible.

The heart of the SF-2 is its ribbon transducer's proprietary cross-field motor assembly. Comprised of four powerful Neodymium magnets and Permendur iron pole pieces, the cross-field design assures the shortest front-to-rear ribbon path length for maximum high frequency response. The SF-2's active electronics produce an output comparable to studio condenser microphones, while providing an optimum load to the ribbon at all times. The low output impedance of the SF-2 enables it to operate with any microphone pre-amplifier of average gain and impedance characteristics, and makes it suitable for use with long cable runs

SF-2 FEATURES

- Operates from standard 48-volt simplex power
- Active electronics provide high output capability
- Extremely low self noise
- Ribbon element not affected by load presented to microphone
- Ribbon element unaffected by heat or humidity
- Equal sensitivity from front and back of element
- Consistent frequency response regardless of distance to sound source
- Very low magnetic leakage

RECOMMENDED APPLICATIONS

- Choir, Orchestra, String Sections
- Overhead & Distance Miking
- Brass Instruments - Horn Sections
- Woodwinds, Flute & other reed instruments
- Acoustic Piano, Harp
- Violin, Cello & other stringed instruments
- Acoustic Guitar, Mandolin, Banjo, etc.
- Voice-over & Vocals



Actual size

ROYER SF-2

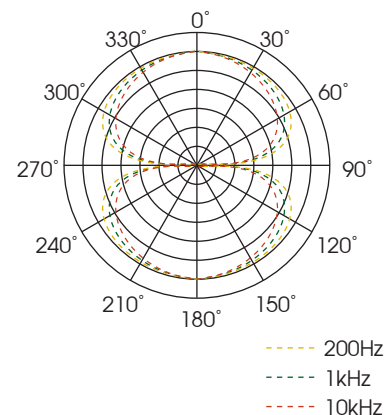
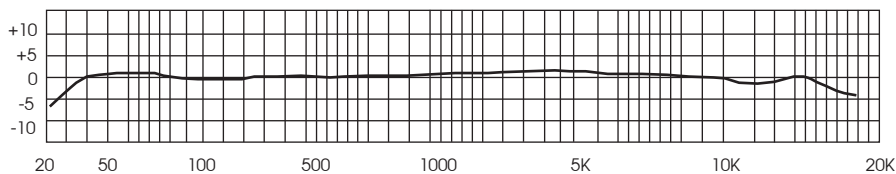
Technical Specifications



Acoustic Operating Principle	Electrodynamic pressure gradient with active electronics.
Polar Pattern	Symmetrical figure-8
Generating Element	1.8-micron aluminum ribbon
Magnets	Rare Earth Neodymium
Frequency Response	30-15000 HZ ± 3 dB
Sensitivity	-38dB (re. 1v/pa ± 1 dB)
Self Noise	< 20 dB
Output Impedance	< 300 Ohms
Output Connector	Male XLR 3-Pin (Pin 2 Hot)
Rated Load Impedance	> 1K-Ohm
Power Requirements	48-Volt Phantom Only
Supply Current	4 mA.
Dimensions	8" X 1.5" wide (base) X 1" wide (top) (203mm X 39mm X 25mm)
Weight	16.4 OZ. (465 grams)
Finish	Matte Black
Accessories	Sling-Shock shock mount, protective microphone case, mic sock, carrying case
Optional Accessories	Wind screen, Pop-filter
Warranty	Lifetime to original owner (repair or replace at Royer's option)

Matched pairs are available at extra charge

Frequency Response and Polar Pattern



Royer Labs
www.royerlabs.com

2711 Empire Ave, Burbank, CA 91504
Tel. (818) 847-0121 Fax (818) 847-0122

COPYRIGHT ROYER LABS 2012
All specifications subject to
change without notice