

# SG9100 ROTATABLE SOLAR BOLLARD



## STANDARD SPECIFICATIONS

---

### STRUCTURE AND MOUNTING

The sleek, modern styling is constructed from high-strength STAINLESS STEEL. Heavy duty base plate offers secure mounting to a variety of surfaces. Stainless steel hardware and security screws standard.

### LAMP OPTICS

A variety of lighting distribution for different installation needs. High Efficiency (300Lm/W) LED output.

Amber, 3000K, 4000K, 5000K Color Temperatures available.

### POWER COLLECTION

5 W Monocrystalline solar panel

Vandal-resistant tempered glass protected.

Long 25-year lifespan.

### POWER STORAGE

6.4V Deep Discharge Lithium Iron Phosphate battery.

Over 2,500 cycle lifespan performance.

### SOLAR CHARGING AND POWER HANDLING

High efficiency MPPT charging profile maximizes solar power collection.

Adaptive lighting controller varies output based on usage and battery state.

Motion sensor operation option available.

Fully autonomous operation with fully customizable lighting profiles.

### FINISHING AND ENVIRONMENTAL RESISTANCE

Available in a wide variety of standard and custom colors available through powder coating.

Advanced polyester resin powder coating offers extreme protection and surface finish longevity.

### WARRANTY

Accompanied by 5 year limited warranty.



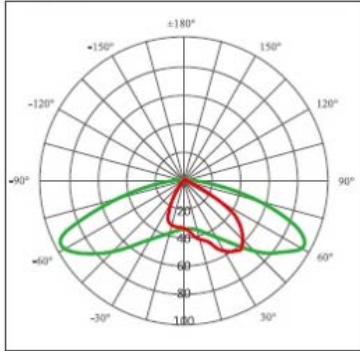
Patent Pending

For ordering or questions please contact SELS USA at  
704-495-3535 or [CustomerService@SELSLED.com](mailto:CustomerService@SELSLED.com)

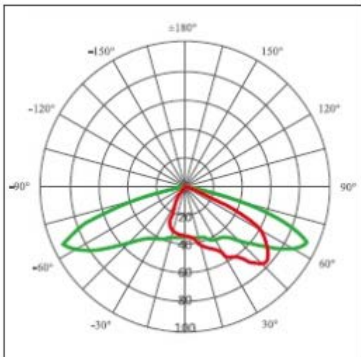
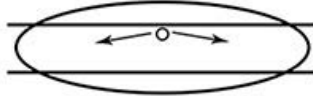
# SG9100 ROTATABLE SOLAR BOLLARD



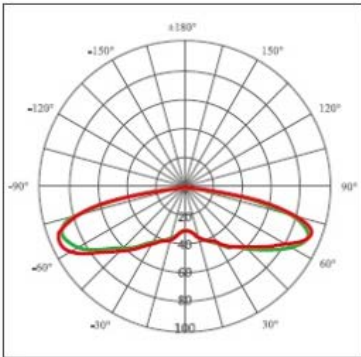
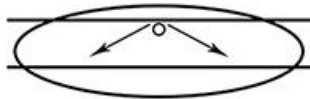
## OPTICS & ASSEMBLY DETAILS



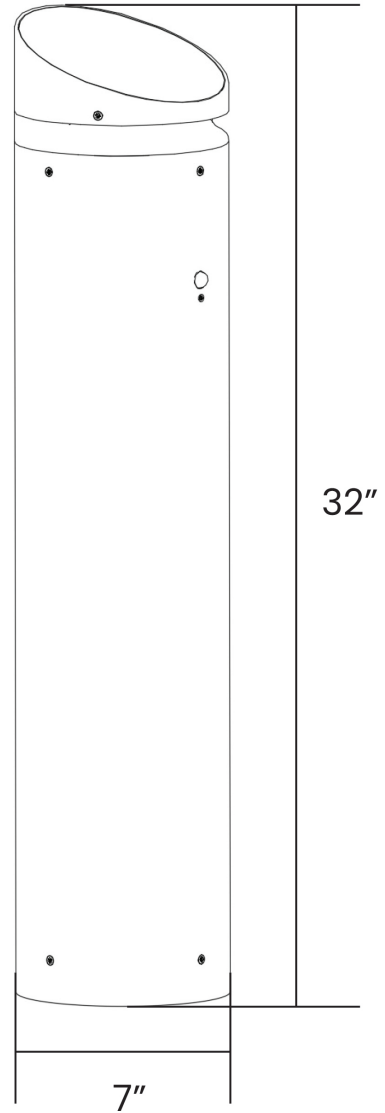
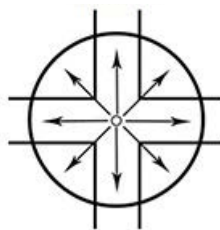
TYPE II  
Lighting Profile



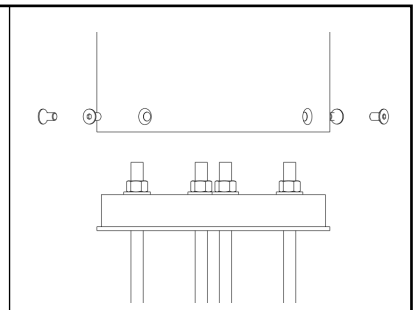
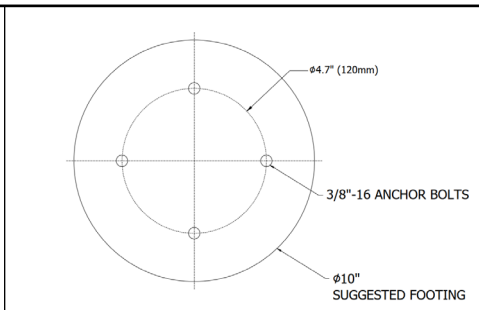
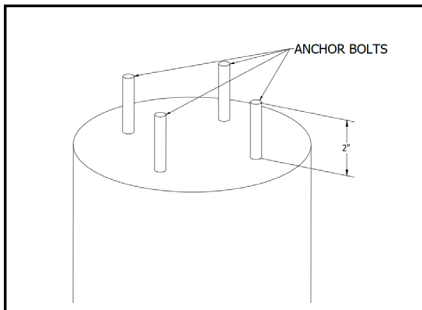
TYPE III  
Lighting Profile



TYPE V  
Lighting Profile



### Simple 2-Step Installation



For ordering or questions please contact SELS USA at 704-495-3535 or [CustomerService@SELSLED.com](mailto:CustomerService@SELSLED.com)