

ifi

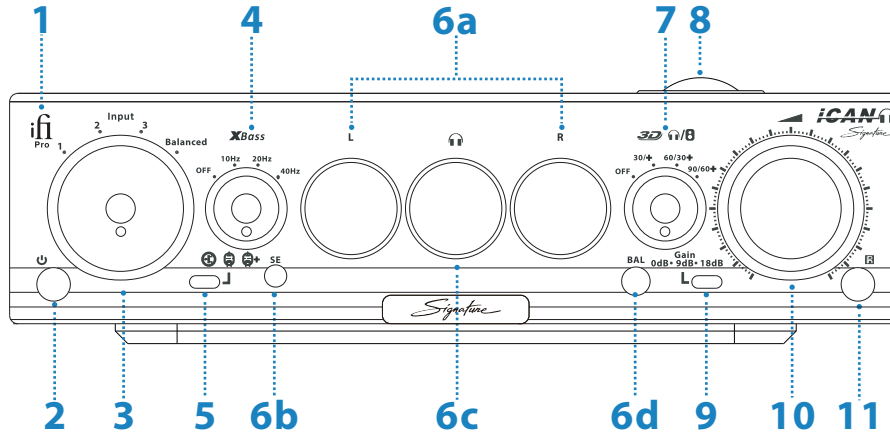
Pro iCAN *Signature*

User Manual

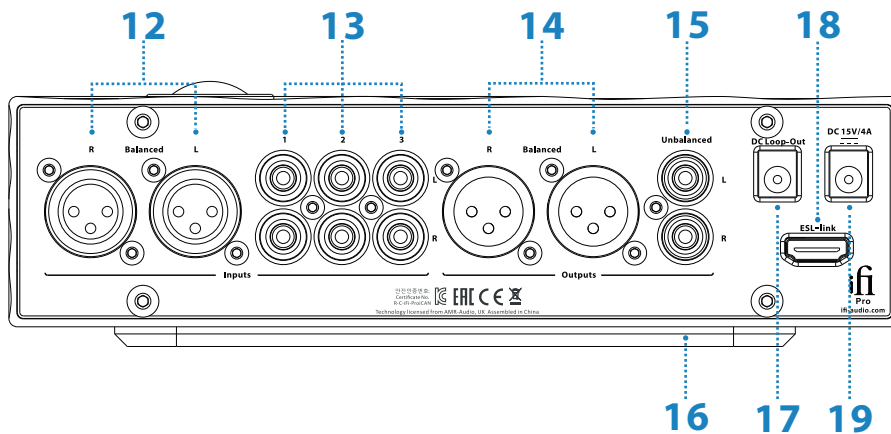
Thank you for purchasing this Pro series iCAN Signature. The Pro iCAN Signature is both :

- (i) a professional headphone amplifier**
- (ii) a fully-fledged, high-end preamplifier**

WARNING: The Pro iCAN Signature is VERY POWERFUL and can offer very large amounts of sub-bass boost. As a starting point, always use the lowest gain possible and start with the volume set low and **XBass**® set to OFF. iFi is not responsible for any ancillary equipment damage caused by the Pro iCAN Signature.



- | | | | |
|---|-----|---|------|
| 1. LED Logo (illuminated) | P.4 | 7. 3D Holographic for Headphones® / | |
| 2. Power Switch | P.4 | 3D Holographic for Loudspeakers® Systems | P.7 |
| 3. Input Selector | P.4 | 8. NOS GE5670 Tubes | P.9 |
| 4. XBass ® Bass Correction System | P.4 | 9. Gain Selection | P.9 |
| 5. Operation Modes (Solid-State/Tube/Tube+) | P.5 | 10. Volume Control | P.10 |
| 6. Headphone Output Sockets | P.6 | 11. IR Remote Control | P.10 |



- 12. Balanced Input
- 13. Unbalanced Inputs 1-3
- 14. Balanced Line Output
- 15. Unbalanced Line Outputs

- P.10 16. Quad-Damped Isolation Base Mount
- P.10 17. DC Loop-Out
- P.10 18. Connector for iFi Electrostatic Add-On Module
- P.10 19. DC Power Supply Input

- P.11
- P.11
- P.11
- P.11



1. LED Logo

Warming-up: Orange (flashing)

Tube/Tube+ mode: Orange

Solid-State mode: White

Protection: Red

Tip: See Section 5 for details of the different operation modes.

2. Power Switch

ON/OFF.

Note: When switched on, the Pro iCAN Signature will go through a warm-up sequence of 45 seconds before it is operational.

3. Input Selector

Input 1-3: RCA, single-ended.

Input balanced: XLR, balanced.

Tip: Even if single-ended RCA inputs are used with balanced outputs, the Pro iCAN Signature will still operate in fully-balanced mode for the highest sound quality.

4. **XBass**[®] Bass Correction System

Different recordings and different headphones exhibit different frequency responses. **XBass**[®] is an analogue signal processing (ASP) circuitry. It is sonically superior to Digital Signal Processing (DSP) systems. **XBass**[®] is tailored to correct the bass deficiency in the headphone/loudspeaker and achieve the desired level. It is NOT a traditional tone or loudness control. The maximum boost is 12dB and the frequency at which this maximum boost is achieved is as follows:

OFF: **XBass**[®] is disabled (this allows the ‘direct’ sound to be enjoyed).

10Hz: for headphones/loudspeakers missing only the very lowest bass (below 40Hz).

20Hz: for headphones/loudspeakers missing some bass (below 80Hz).

40Hz: for headphones/loudspeakers missing substantial bass including some mid-bass (below 160Hz).

***Note:** Please be careful with the **XBass**[®] settings especially at high gain and high volume control settings, as even the most power-hungry headphones may be damaged by the power of the Pro iCAN Signature.*

***Tip:** The **XBass**[®] circuit is designed to correct different levels of bass deficiency inherent in many headphones/loudspeakers. It is NOT a gimmick to add artificial bass to recordings. Great care has been taken in the design to ensure there is no degradation of sound quality.*

5. Operation Modes (Solid-State/Tube/Tube+)

The Pro iCAN Signature has 3 operation modes:



Solid-State mode: is a pure, solid-state circuit and uses J-FETs and is fully-discrete Class A.



Tube mode: 2 x NOS GE5670s are engaged with the J-FET circuitry switched out for valve Class A operation.



Tube+ mode: reduces negative feedback to a minimum. As a result, a greater amount of the tubes’ natural harmonics are produced (Even Order harmonics dominate).

***Note:** Upon switching between modes, there will be a brief mute as the circuit switches. To maximise tube life, the Pro iCAN Signature has a built-in intelligent monitor; after an extended period of operation in Solid-State mode, the tubes will switch off. If the tube circuit is shut-off, upon switching back to Tube/Tube+ mode, the tubes will need to warm up (as if the whole Pro iCAN Signature itself was powered up from OFF). Music will continue to play via the Solid-State section until the tubes are fully activated.*



Tip: For the first time, one can enjoy both the sound of Solid-State and Tubes in a single package (rather than as an 'Effect Type' add-on within an otherwise conventional solid-state design) and be able to switch in real-time. For some recordings and headphones/loudspeakers, Solid-State may sound more lively. For others, Tube and Tube+ (especially Tube+) will sound more luxurious. Select the one that sounds best for that particular moment, be it the recording, the mood or even the weather. After all, enjoying music is an experience to be savoured and not a scientific research exercise.

6. Headphone Output Sockets

6a. XLR 3 Pin x 2 (Balanced), 6.3mm x 2 (Balanced/Single Ended)

Balanced:

XLR – 3 Pin x 2

6.3mm TRS x 2 (iFi SEC balanced system)

Note: The iFi SEC (Single-Ended Compatible) balanced connection uses one 6.3mm jack for L-/R- (left jack) and the other for L+/R+ (right jack) with both sleeves being Ground (GND). This makes it directly compatible with standard non-balanced headphones. With the correct headphone cable it allows a balanced connection using two 6.3mm plugs.

Single-Ended:

6.3mm TRS x 2 (please use the right jack for unbalanced headphones. You can, however, drive two separate headphones simultaneously if you wish).

6b. 3.5mm (Single Ended)

3.5mm TRS (with built-in iEMatch – output matched to high-sensitivity headphones).

6c. XLR 4 Pin (Balanced)

XLR – 4 Pin Balanced.

6d. 4.4mm Balanced (Pentaconn standard)

4.4mm Balanced headphones (with built-in iEMatch - output matched to high-sensitivity headphones).

Tip: If possible, always use balanced headphones to take full advantage of the true balanced nature of the Pro iCAN Signature circuitry.

7. **3D Holographic for Headphones® / 3D Holographic for Loudspeakers® Systems**

There are two separate Analogue Signal Processing (ASP) matrix circuits that switch automatically between headphone and loudspeaker use.

Note: When using the headphone outputs, the 3D Holographic matrix for headphones is engaged. When using the line outputs (RCA/XLR), the 3D Holographic matrix for loudspeakers is engaged.

For Headphones: (Headphone Outputs)

3D Holographic for Headphones® is an analogue matrix to 'undo' the negative sonic impact of headphone listening with recordings that were originally made for loudspeakers (as is the case for >95% of recordings). When listening with headphones this 'In Head Localisation' (sound is 'located' in the centre of one's head) can often lead to listening fatigue and possibly even a little nausea.

- i. **OFF : 3D Holographic** is disabled (this allows the 'direct' sound to be enjoyed).
- ii. **30° Loudspeaker Angle:** This matrix simulates a narrow loudspeaker placement (e.g. loudspeakers either side of a large computer monitor or in a car) and can also be used for recordings that have been artificially enhanced for spaciousness or early 'Ping-Pong' type stereo recordings.
- iii. **60° Loudspeaker Angle:** This matrix simulates traditional 'textbook' loudspeaker placement in an equilateral triangle.
- iv. **90° Loudspeaker Angle:** This matrix simulates a wide loudspeaker placement favoured by some audiophiles. It may also be used to enhance recordings that lack spaciousness (some minimalist 'single point' recordings fall into this group).

Tip: **3D** Holographic for Headphones® is not based on a standard cross-feed system, as found in some high-end headphone amplifiers. Many so called '3D systems' are usually DSP based. This artificially effects the sound and adds unwanted reverb in order to simulate a 'spacious' type of sound.

It's true that traditional cross-feed tends to produce an 'out of head' sound, but with much diminished spatial components and a narrower soundstage, sometimes almost approaching mono. Most DSP based 3D designs produce an unnatural, echo-like sound, which may initially be impressive, but soon becomes tiring.

*By contrast, **3D** Holographic for Headphones®, provides not only 'out of head' placement of the sound sources, but renders the whole **3D** sound field in a manner that strongly parallels listening to loudspeakers in a normal room, all achieved without the added reverb. This is the first system in commercial production to achieve this.*

For Loudspeakers: (Line Outputs)

The **3D** Holographic for Loudspeakers® is an analogue matrix circuit that has two distinct functions. It

1. Corrects the fundamental spatial distortion in stereo recording
 2. Increases the width of the apparent soundstage beyond the width dictated by the loudspeaker placement
- i. **OFF:** **3D** Holographic is disabled (this allows the 'direct' sound to be judged).
 - ii. **+**: This matrix corrects ('+') the spatial distortion caused by the recording/mixing/mastering process and restores the original width of the soundstage. This is the recommended **default** setting if the loudspeakers are already ideally placed for imaging.
 - iii. **30°+**: This matrix corrects ('+') the spatial distortion caused by the recording/mixing/mastering process and adds an approximate **30°** to the apparent width of the soundstage. Thus, loudspeakers with narrow placement (e.g. loudspeakers closely located either side of a TV set) can offer a soundstage that extends beyond the left and right past the loudspeakers and is close to the ideal placement.

- iv. **60°+**: This matrix corrects ('+') the spatial distortion caused by the recording/mixing/mastering process and adds an approximate **60°** to the apparent width of the soundstage. This is close to the 'wide' placement preferred by some audiophiles.

The **3D** Holographic circuit for loudspeakers corrects a distortion of the **3D** sound field caused by recording via microphones and playback via loudspeakers. This sound field distortion was first described by Alan Dower Blumlein (the inventor of Stereophonic sound) and corrected by EMI in early 'Stereosonic' recordings.

However, the original Stereosonic circuit tended to result in a narrower soundstage than if recorded straight and often overcompensated distortion of the soundstage perspective. iFi's **3D** Holographic systems avoid this and instead, allow an expansion of the width of the sound stage.

Tip: These modes can also be used to enhance the imaging of recordings that offer poor spatiality.

8. NOS GE5670 Tubes

New Old Stock 'Made in the USA' General Electric 5670 x 2.

Tip: Each GE5670 tube has undergone a special rejuvenation process and the tube circuit is specially-designed for long life. This means the tubes should offer many years of enjoyment.

9. Gain Selection

0dB (Default)/9dB/18dB.

Tip: Use the lowest gain possible for the best sound. At normal listening levels, the volume control should be around 12 o'clock. Increase the gain if the 12 o'clock position does not provide satisfying listening levels.

Note: Please be aware that the Pro iCAN Signature can output >10V in Single Ended mode and over 20V in Balanced mode. For comparison, 20V is equal to 100W with a 4 ohm loudspeaker. These levels are very high and can damage many headphones and/or drive most amplifiers (if used as a line-stage) into very hard clipping. Damage to headphones and/or loudspeakers may result from excessively high volume settings.



10. Volume Control

To control the volume.

Tip: For loud but normal listening levels, the volume control should be between 10 and 2 o'clock. Adjust the gain upwards if the volume is unsatisfactory. If one cannot turn up the volume to even 10 o'clock (at the lowest gain setting), please connect the headphone to the iEMatch embedded 3.5mm connections, which are matched to high-sensitivity headphones such as in-ear-monitors and other high-sensitivity modern headphones designed to operate from portable devices.

11. IR Remote Control

Window for IR Remote Control receiver.

12. Balanced Input

Balanced/XLR x 1.

13. Unbalanced Inputs 1-3

RCAs x 3.

14. Balanced Line Output

Balanced/XLR Output.

15. Unbalanced Line Outputs

RCA Outputs.

16. Quad-Damped Isolation Base Mount

Base support, please set the Pro iCAN Signature on a flat surface.

Tip: The Quad-damped Isolation Base Mount was specially-designed to provide the ultimate vibration damping control and electromagnetic shielding. It consists of a custom quad-layer sandwich; dual layer elastomers (silicone layer and copolymer of ethylene and vinyl acetate layer), and a dual-layer of metal alloy (aluminium alloy layer and ferrous alloy layer finished with special honeycomb coating).

Together with the variable (golden ratio) thickness chassis, the chassis resonance is optimally distributed and minimised.

17. DC Loop-Out

DC loop through for use with Pro iCAN Signature add-ons (eg. iFi Pro iESL).

18. Connector for iFi Pro iESL

This is only for connection with the iFi Pro iESL Electrostatic Headphone Energiser. DO NOT CONNECT ANY OTHER EQUIPMENT!

19. DC Power Supply Input

15V/4A DC Power input.

Tip: Any 9v to 18v DC power source with a minimum 60VA rating can be used with the Pro iCAN Signature (including vehicular, RV and boat based 12V DC power). The Pro iCAN Signature uses double-conversion power supplies that make it impervious to power supply noise and related problems. However, we strongly recommend the use of the included iPower Elite. It offers the latest in power supply technology and is better and cleaner than battery and aftermarket linear power supplies.



Design Notes from the AMR/iFi Research & Development department:

- The Pro iCAN Signature circuit is fully-balanced with completely equal circuit sections for Positive (Hot) and Negative (Cold) signal phase of each channel. The volume control is a 6-way motorized ALPS type, 4 tracks are used to adjust the volume for the balanced signal, the other two are used for monitoring the volume control operation.
- Maximum Output is > 20V in balanced mode, > 10V in single ended mode, maximum peak current is 1.4A for Single-Ended Headphone connections and 0.7A for Balanced Headphone connections. The continuous output current is limited by protection circuitry that only engages in case of sustained overload. A short term sustained output of around 14,000mW (14 VA) is possible in Balanced operation.
- The amplifier audio circuit is a development of iFi's revolutionary 'TubeState' design. It is fully discrete, fully-balanced with either tube or J-FET input switchable, bipolar second stage and MOSFET-buffered bipolar class A Power stage (with Class AB for low impedance headphones at very high levels). The resulting circuit may be best described as 'tri-brid' where each device is used to greatest sonic advantage while minimising any drawbacks. Furthermore, the circuit is pure DC coupled to avoid using any sonically-degrading coupling capacitors.
- Frequency response (0.5Hz -500kHz @ 0dB), noise (-142dB @ 0dB) and distortion (0.0008% @ 0dB) depend on gain and on which input device is selected. However (generally speaking), the levels of noise and distortion, especially in balanced operation challenge the limits of the Audio Precision test system.
- The XLR and RCA outputs on the back offer full preamplifier function, but are not switched off if headphones are connected. Nonetheless, the Pro iCAN Signature should be used either as preamplifier or headphone amplifier, as generally a mixed use setup is not recommended.
- The **3D** Holographic matrices are tightly integrated into the signal circuit. Not only is there no use of DSP and the linked AD/DA conversion, there are also no additional active elements.
- If disabled, the passive elements (resistors, capacitors and inductors) that form the analogue matrix are completely removed from the circuit, so the fidelity of the signal in 'OFF' remains unaffected.

- If enabled, the **3D** Holographic matrix fundamentally re-shapes the transfer function of the actual amplifying circuit to do its job. So again, the fidelity of the signal is as if the **3D** Holographic matrix was designed integral to the circuit. This is a highly-unusual design, as normally signal processing functions add extra circuits to the main amplification circuit. Such additional circuitry cannot but negatively impact sound quality when in use and often even when disabled.

Specifications:

Gain :	0dB, 9dB and 18dB user-selectable	
Frequency Response:	0.5Hz to 500kHz(-3dB)	
THD & N:	Balanced	S-E
Solid-State	≤0.0015%	≤0.005%
Tube	≤0.002%	≤0.005%
Tube+	≤0.012%	≤0.2%
SNR:	>147dB(A)	> 137dB(A)
Output Power:	>14,000mW (@ 16Ω)	>4,800mW (@ 16Ω)
Output Voltage:	>23V (@ 600Ω)	>11.5v (@ 600Ω)
Input voltage:	DC 9V/6.7A – 18V/3.35A (Pro iDSD Signature)	
Input voltage:	AC 85 – 265V, 50/60Hz (iPower+)	
Power consumption:	< 22W idle, 50W max.	
Dimensions:	213 x 193 x 63 mm 6..2" x 3.9" x 1.4"	
Net weight:	1.93 kg (4.3 lbs)	
Warranty period:	12 months	

Specifications are subject to change without notice.

Test conditions:

Gain = 0dB, 0.775V(0dBu) with 300 Ohm load unless stated otherwise

SNR Balanced re 23V, SNR SE re. 11.5V

ifi