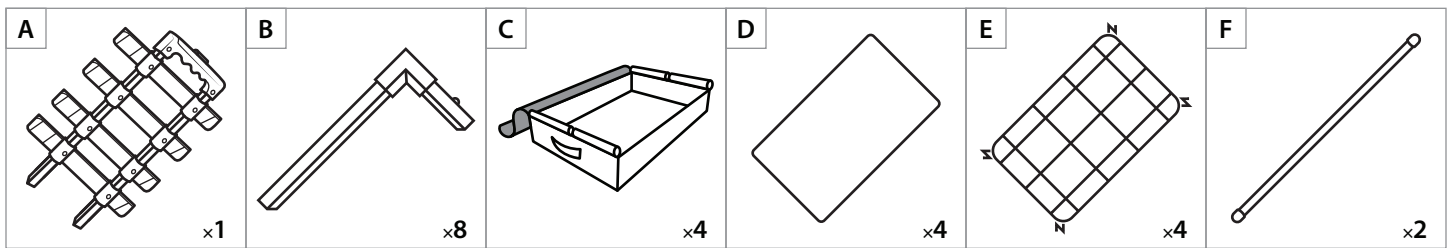


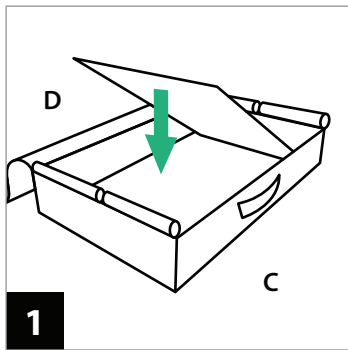
TELESCOPING ORNAMENTKEEPER™

Model No. TK-10805 | Assembly Instructions

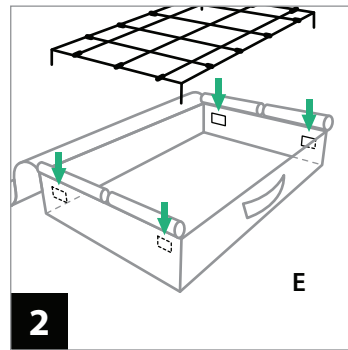
Please lay out all parts and read instructions prior to assembly.



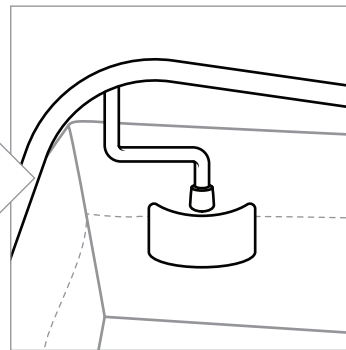
How to assemble the adjustable ornament trays



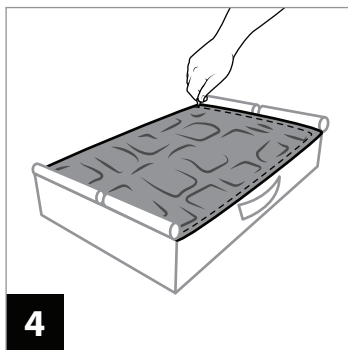
1 Insert the support board into the base of tray.



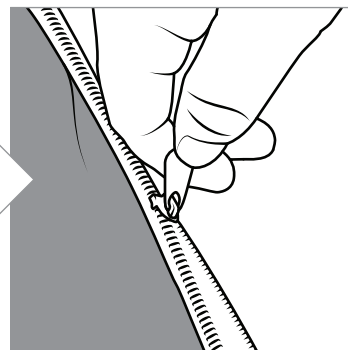
2 Locate the pockets in the corners of the tray. Place the legs on the metal dividers into each of the tray pockets.



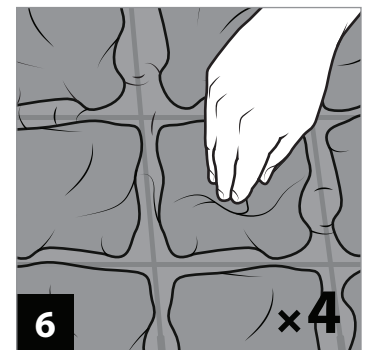
3 Move the fabric lining onto the tray to cover the metal dividers.



4 Locate the zipper on the fabric lining and carefully zip the fabric to the tray to secure.

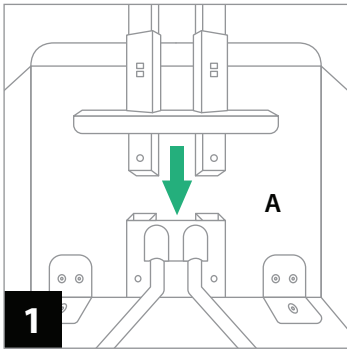


5 Adjust the divider bars as needed to fit your ornaments.

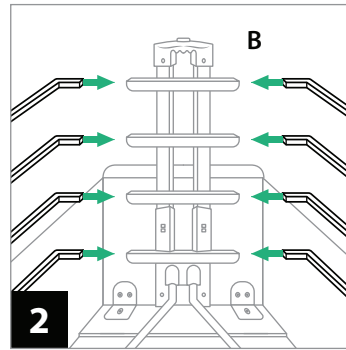
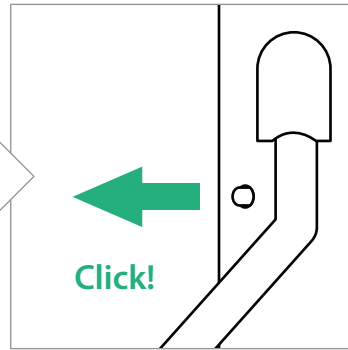


6 Evenly distribute the fabric lining while making a neat pockets.

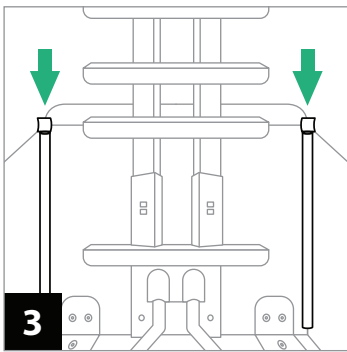
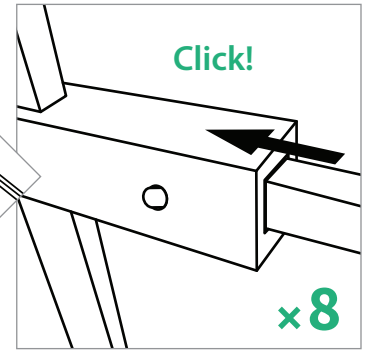
How to assemble the bag and frame



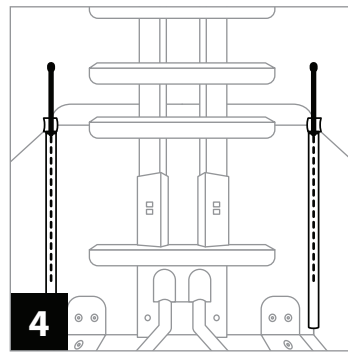
Insert the telescoping frame into the base of the bag. Make sure the metal pins “click” into place to fully secure.



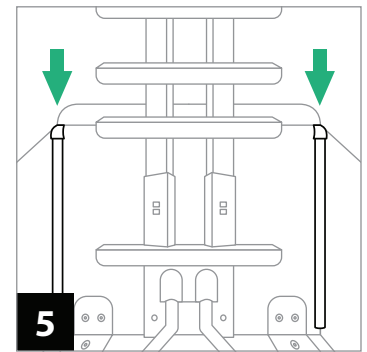
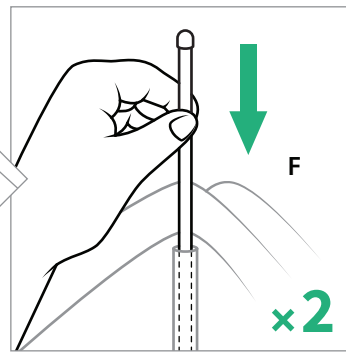
Insert the metal arms into the telescoping frame. Make sure the metal pins “click” into place to fully secure.



Locate the two Velcro straps in the rear corners of the bag.



Lift the Velcro straps in each of the two corners and insert the support rods into the channels.



Close the tops of the Velcro straps to secure them in place.



TREEKEEPER™
WWW.TREEKEEPERBAGS.COM

A Patent Pending product