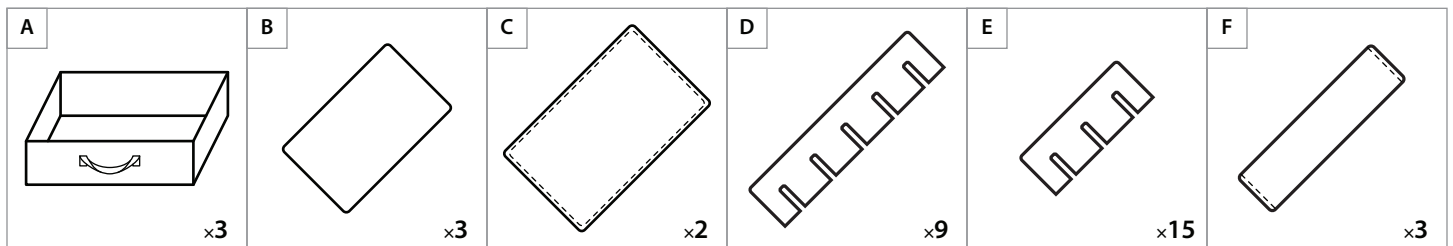


# TOP POCKET ORNAMENTKEEPER™

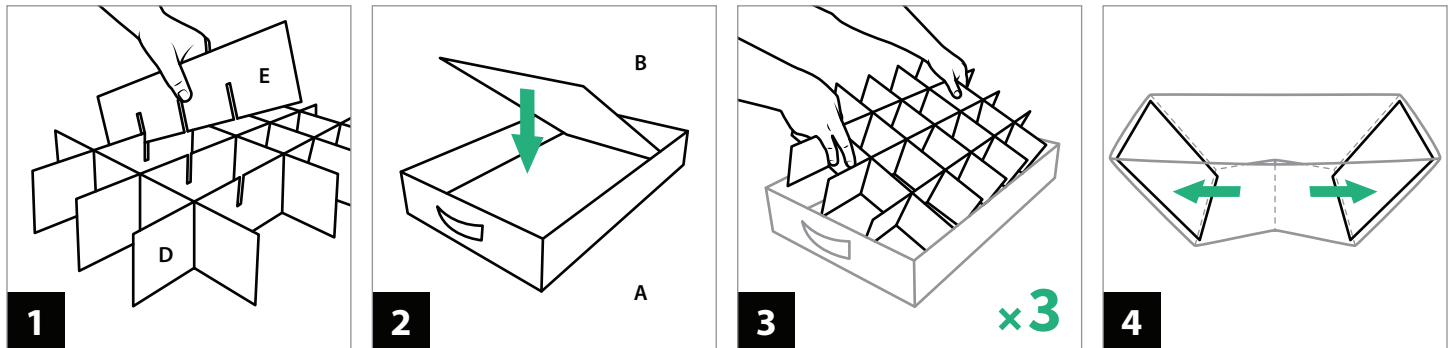
Model No. TK-10685 | Assembly Instructions



Please lay out all parts and read instructions prior to assembly.



## How to assemble your ornament storage bag

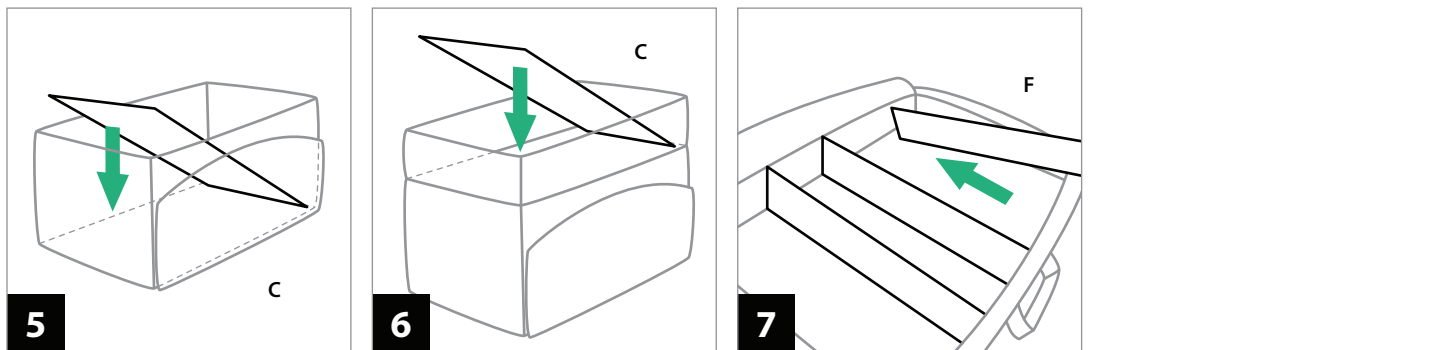


**1** Assemble the dividers by crossing the long and short pieces.

**2** Unfold the tray and place the tray base inside.

**3** Insert the dividers into your tray. Repeat until all trays are built.

**4** Push the inner frame pieces fully outward to open your bag.



**5** Secure the bottom of your bag by inserting the base.

**6** Open the top pocket and place the base divider inside.

**7** Position each of the dividers so the Velcro attaches on each end.