

TECHNICAL BULLETIN

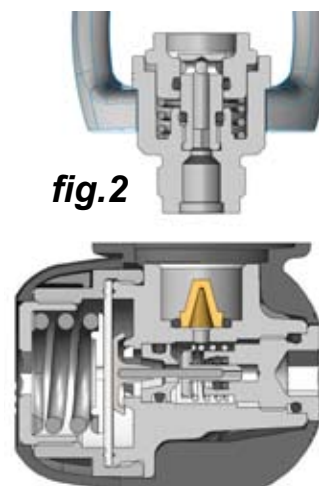
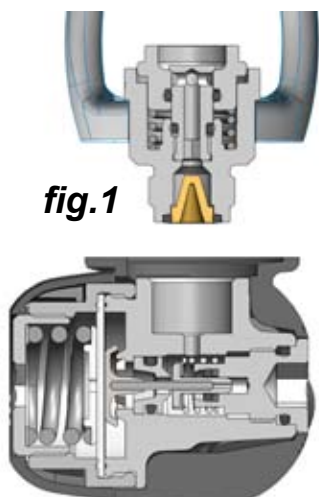
SUBJECT: Change to Filter Installation on Aqua Lung Regulators.

PRODUCTS AFFECTED: Legend LUX series, Legend LX series, Legend series, Titan LX series, Mikron series and Titans

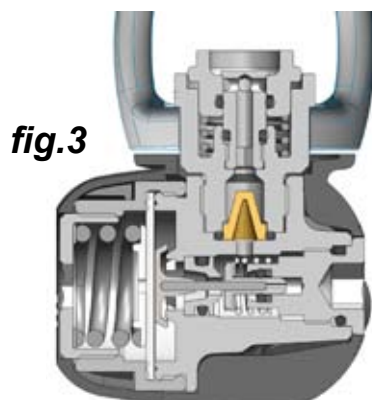
NOT AFFECTED: Legend Glacias and Calypsos

In an effort to avoid a patent conflict, Aqua Lung has made a minor change to how the filter gets installed into most of its regulator models. Up until now, the filter and its associated o-ring were inserted into a recess on the underside of the inlet fitting (see fig.1).

Going forward, the filter and its associated o-ring will be set into a recess in the regulator body (see fig.2).



Once assembled, the filter remains in the same place it has always been (see fig.3). Therefore, this is primarily a procedural change.

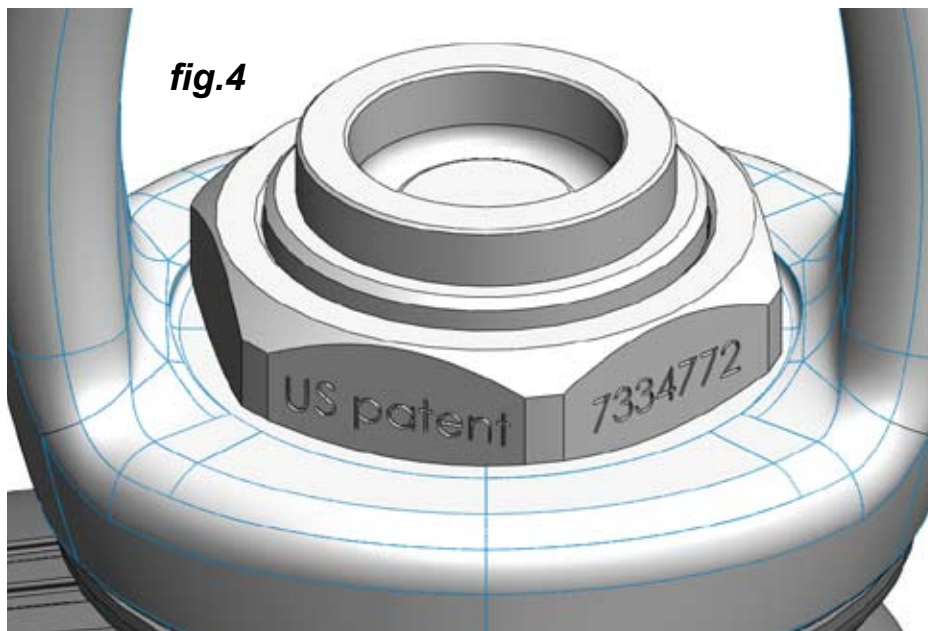


Aqua Lung America **TECHNICAL BULLETIN**

To accommodate this change, there will be modifications made to a few components. The recess that accepts the filter and its associated o-ring will be added to the regulator body and will go away on the inlet fitting. In the rare event that you should ever need to replace a first stage body or inlet fitting, you will want to pay particular attention to which version you order. The two different sets of components are clearly identified in the latest Spare Parts Price Catalog available on the B2B website.

Regulators that have this revision are easily identified in the following way:

- a. If it is a model with ACD (auto-closure device), then the ACD patent number will replace “pat. pend.” on the inlet fitting (fig. 4).
- b. If it is a non-ACD model (Mikron, Titan), then the inlet fitting will be stamped with “NV” as in “new version”.



This is considered a running change and does not result in any closeout activity or deviation from the Aqua Lung MRP policy.

Should you have any questions regarding this issue,
please contact our customer service department at:
(877) 253-DIVE