

MON-7022



7" Dash Mount Dual Input Monitor User Manual



ECHOMASTER



MON-7022

7" Dash Mount Dual Input Monitor

Introduction

Thank you for purchasing your EchoMaster monitor.

EchoMaster monitors are designed to improve safety by providing high quality images from camera inputs. This may help to improve vehicle maneuvering capabilities by displaying blind spots or areas not normally visible to the driver.

Please ensure you read and understand all aspects of this manual before fitting or using your EchoMaster mirror monitor.

Box Contents

- ▶ User Guide
- ▶ Monitor
- ▶ Mounting Bracket
- ▶ Main Harness
- ▶ GX16-RCA Adapters x 2
- ▶ Remote Control
- ▶ Self-Adhesive Pad
- ▶ AUX Input Harness
- ▶ Sunshade

Key Features

- ▶ 7" high resolution display
- ▶ Dual video inputs
- ▶ Dual triggers
- ▶ Dash mount fan bracket included
- ▶ Remote control included



MON-7022

7" Dash Mount Dual Input Monitor

Fitting Instructions

Choose a mounting location that will not obscure the driver's view. Also please ensure that the unit is not mounted in a location that will obstruct the operation of any airbags.

Ensure that the mounting area is clean and free of silicone as this will cause the adhesive pad not to adhere.

Secure the bracket in place.

Once the unit is in place you can run the connections cable to behind the dash where the connections are to be made as shown in the wiring diagram of this manual.

Operating Instructions

To turn on the unit the vehicle ignition should be active. The POWER button will turn the screen on.

The video input can be selected by pressing the CH1 or CH2 buttons. The MENU button will scroll through all the various adjustments that are available.

The + and – buttons will adjust the volume of the unit, and also when in the menu structure they will adjust the various settings.

The MODE button will adjust the image parameters to one of 4 pre-determined settings.



MON-7022
7" Dash Mount Dual Input Monitor

Operating Instructions

All of these functions are replicated on the supplied remote control.

When a 12V input is detected on either trigger wire the unit will automatically switch to the corresponding input. If the unit is currently turned off when this trigger is detected it will automatically turn on and switch to that input.

If the AUX input jack is inserted then it will override CH1.

Menu

Brightness: Adjust the brightness level of the screen between 0 and 40.

Contrast: Adjust the contrast of the screen between 0 and 40

Color: Adjust the color of the screen between 0 and 40

Volume: Adjust the volume of the built-in speaker between 0 and 40 (note that operating the arrow controls while NOT in the menu will also adjust the volume).

Zoom: This will change from a 16:9 to a 4:3 ratio.

TCON: This allows you to adjust the orientation of the picture between mirrored and non-mirrored and upside down or normal. This allows you to use the monitor with a wide range of cameras and sources in a wide range of applications.

ACC Time: This will set the delay time before the monitor reverts to the previous state after a trigger has been detected.

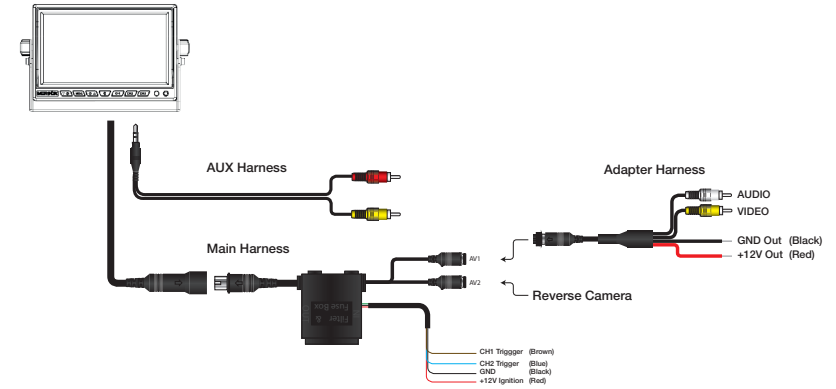
Language: Change the language of the on-screen menus between English, Turkish, German, French, Spanish, Portuguese, Italian, Dutch and Chinese (simplified and traditional).

Reset: This will reset all menus to the default value.

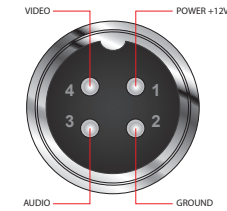


MON-7022
7" Dash Mount Dual Input Monitor

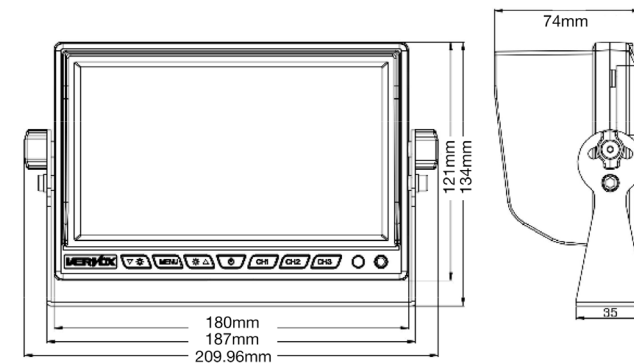
Wiring Diagram



Pin Out



Dimensions





MON-7022
7" Dash Mount Dual Input Monitor

Specifications

MON-7022	
Screen Size	7.0"
Aspect Ratio	16:9
Power Supply	12V DC
Resolution	800x480
Luminance	300
Contrast	500:1
TV Format	AUTO
OSD Languages	English
Video Inputs	2
Audio Inputs	2
Triggers	2
Current Draw	390mA
Operating Temperature	-20C - +70C
IP Rating	30
Parking Guidelines	No
Dimensions (mm)	210 x 134 x 74
Connection Type	GX16



MON-7022
7" Dash Mount Dual Input Monitor



15500 Lightwave Drive, Suite 202, Clearwater, Florida 33760
Woolmer Way, Bordon, Hampshire, United Kingdom

email - support@aampglobal.com (US)
tel - 1-800-477-2267 (East Coast) - 1-888-883-2790 (West Coast)

email - technical.eu@aampglobal.com (Europe)



EchoMaster is a Power Brand of AAMP Global.
EchoMaster.com