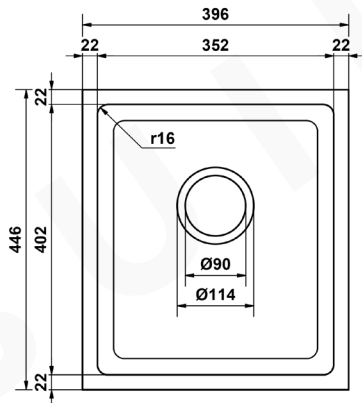


CYNTHIA



DESCRIPTION

Brand: Alma
 Name: Cynthia 396x446 White Granite Square Single Bowl Sink
 Model: SGQSSW02
 Type: Single Bowl Sink
 Capacity: 30L

SPECIFICATIONS

Sink size: 396 x 446mm
 Bowl size: 352 x 402mm
 Depth: 215mm
 Material: Granite
 Thickness: 10mm
 Finish: Matte White
 Internal corner: R16

INSTALLATION OPTIONS

- Under-mount / flush-mount / top-mount

INCLUSIONS

- Undermount clips
- Diamond drill bit
- 90mm strainer waste and plug to each drain

WARRANTY

- 25 years manufacturer's warranty
- Fit for Australian Standards and UPC certified

MODEL & AVAILABLE COLOUR OPTIONS

- SGQSSB02 Cynthia 396x446 Black Granite Square Single Bowl Sink
- SGQSSW02 Cynthia 396x446 White Granite Square Single Bowl Sink