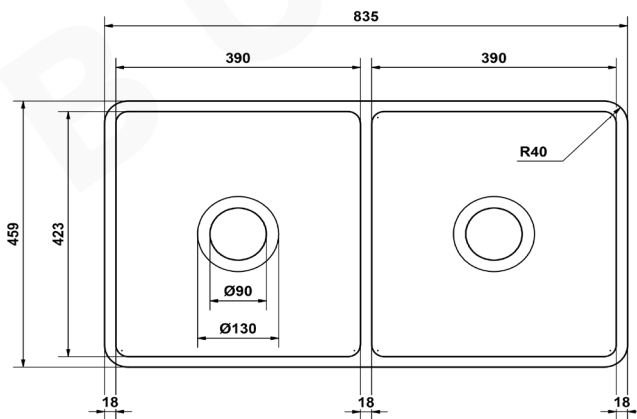
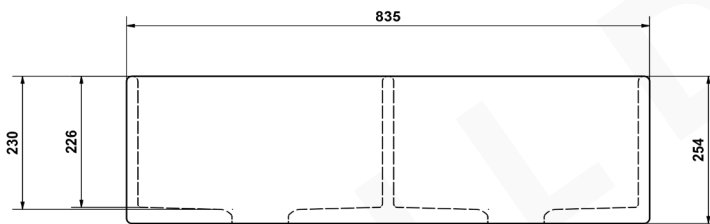


BRONWEN



DESCRIPTION

Brand: Alma
 Name: Bronwen 835x459 Gloss White Farmhouse Fireclay Double Bowl Sink
 Model: SFFSDW15
 Type: Double Bowl Farmhouse Sink
 Capacity: 83.8L

SPECIFICATIONS

Sink size: 835 x 459mm
 Bowl size 1: 390 x 423mm
 Bowl size 2: 390 x 423mm
 Depth: 254mm
 Material: Fireclay
 Finish: Gloss White
 Internal corner: R40

INSTALLATION OPTIONS

- Under-mount / flush-mount / top-mount

INCLUSIONS

- 90mm strainer waste and plug to each drain
- Protector Grid

WARRANTY

- 25 years manufacturer's warranty
- Fit for Australian Standards and UPC certified