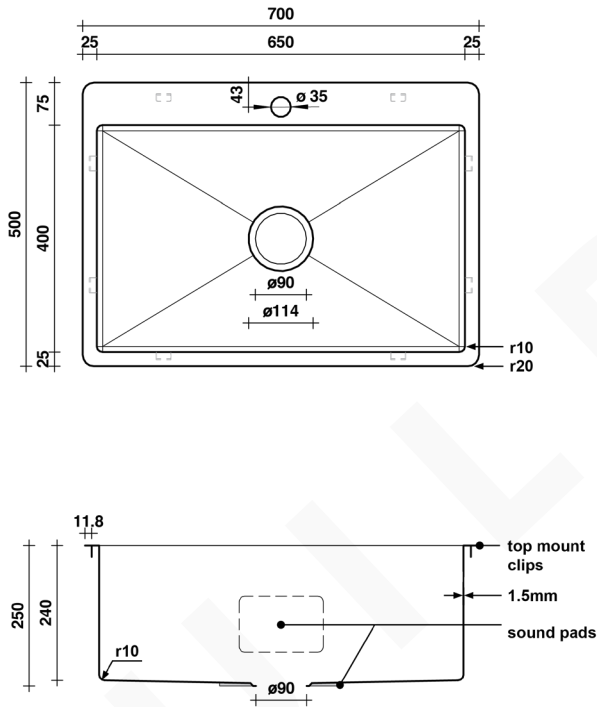


NOAH 700



MODEL & AVAILABLE COLOUR OPTIONS

- TLAN005 Noah 700 Brushed Stainless Steel
- SNGMTL005 Noah 700 Brushed Gunmetal

DESCRIPTION

- Brand: Alma
- Name: Noah 700
- Model: SNGDTL005 Brushed Brass Gold
- Type: Single bowl sink with tap landing
- Capacity: 65 Litres

SPECIFICATIONS

- Sink size: 700mm x 500mm
- Bowl size: 650mm x 400mm
- Depth: 250mm
- Material: 304 grade stainless steel
- Thickness: 1.5mm / 16 gauge steel
- Finish: Brushed Brass Gold PVD
- Internal corner: R10
- External corner: R20

INSTALLATION OPTIONS

- Under-mount / top-mount / flush-mount.

INCLUSIONS

- Top mount brackets.
- Anti-condensation exterior coating.
- Sound pads to external faces and base.
- 90mm strainer waste and plug to each drain.
- Protector Grid

WARRANTY

- 25 years manufacturer's warranty.
- Fit for Australian Standards and UPC certified.