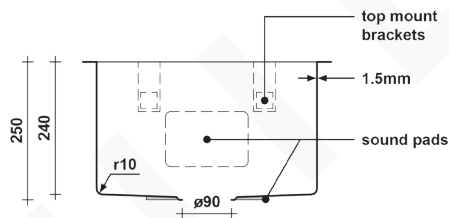
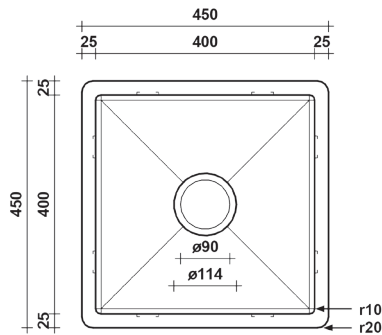


## NALA 450



### MODEL & AVAILABLE COLOUR OPTIONS

- SNA01002 Nala 450 Brushed Stainless Steel
- SNGM002 Nala 450 Brushed Gunmetal
- SNGD002 Nala 450 Brushed Brass Gold

### DESCRIPTION

- Brand: Alma
- Name: Nala 450
- Model: SNA01002 Brushed Stainless Steel
- Type: Single bowl sink
- Capacity: 40 Litres

### SPECIFICATIONS

- Sink size: 450mm x 450mm
- Bowl size: 400mm x 400mm
- Depth: 250mm
- Material: 304 grade stainless steel
- Thickness: 1.5mm / 16 gauge steel
- Finish: Brushed stainless steel
- Internal corner: R10
- External corner: R20

### INSTALLATION OPTIONS

- Under-mount / top-mount / flush-mount.

### INCLUSIONS

- Top mount brackets.
- Anti-condensation exterior coating.
- Sound pads to external faces and base.
- 90mm strainer waste and plug to each drain.

### WARRANTY

- 25 years manufacturer's warranty.
- Fit for Australian Standards and UPC certified.