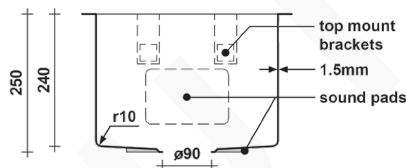
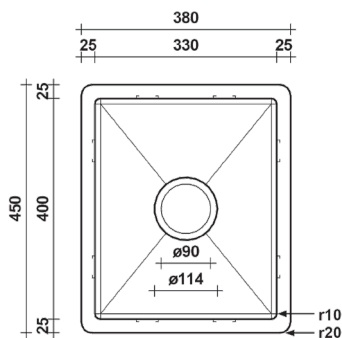


MAYA 380



MODEL & AVAILABLE COLOUR OPTIONS

- SNA00020 Maya 380 Brushed Stainless Steel
- SNGM020 Maya 380 Brushed Gunmetal
- SNGD020 Maya 380 Brushed Brass Gold

DESCRIPTION

- Brand: Alma
- Name: Maya 380
- Model: SNA00020 Brushed Stainless Steel
- Type: Single bowl sink
- Capacity: 25 Litres

SPECIFICATIONS

- Sink size: 380mm x 450mm
- Bowl size: 330mm x 400mm
- Depth: 250mm
- Material: 304 grade stainless steel
- Thickness: 1.5mm / 16 gauge steel
- Finish: Brushed stainless steel
- Internal corner: R10
- External corner: R20

INSTALLATION OPTIONS

- Under-mount / top-mount / flush-mount.

INCLUSIONS

- Top mount brackets.
- Anti-condensation exterior coating.
- Sound pads to external faces and base.
- 90mm strainer waste and plug to each drain.

WARRANTY

- 25 years manufacturer's warranty.
- Fit for Australian Standards and UPC certified.