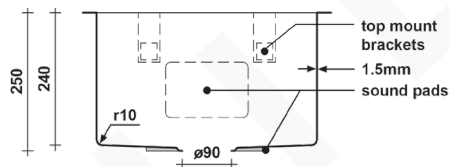
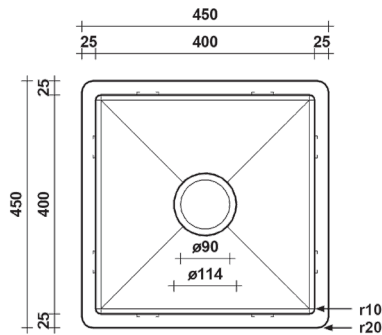


## NILES 450



### DESCRIPTION

Brand: Alma  
 Name: Niles 450  
 Model: SNALF002 Brushed Stainless Steel  
 Type: Single bowl sink  
 Capacity: 40 Litres

### SPECIFICATIONS

Sink size: 450mm x 450mm  
 Bowl size: 400mm x 400mm  
 Depth: 250mm  
 Material: 316 grade stainless steel  
 Thickness: 1.5mm / 16 gauge steel  
 Finish: Brushed stainless steel  
 Internal corner: R10  
 External corner: R20

### INSTALLATION OPTIONS

- Under-mount / top-mount / flush-mount.

### INCLUSIONS

- Top mount brackets.
- Anti-condensation exterior coating.
- Sound pads to external faces and base.
- 90mm strainer waste and plug to each drain.

### WARRANTY

- 25 years manufacturer's warranty.
- Fit for Australian Standards and UPC certified.