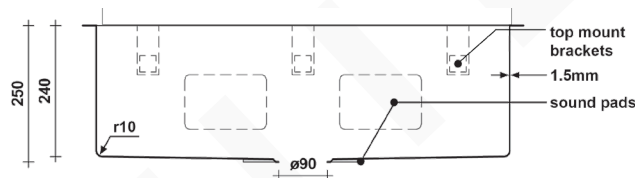
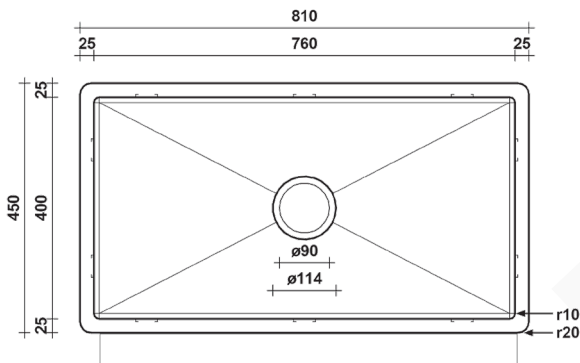


MIRANDA 810



DESCRIPTION

Brand: Alma
 Name: Miranda 810
 Model: SNALF002 Brushed Stainless Steel
 Type: Single bowl sink
 Capacity: 76 Litres

SPECIFICATIONS

Sink size: 810mm x 450mm
 Bowl size: 760mm x 400mm
 Depth: 250mm
 Material: 316 grade stainless steel
 Thickness: 1.5mm / 16 gauge steel
 Finish: Brushed stainless steel
 Internal corner: R10
 External corner: R20

INSTALLATION OPTIONS

- Under-mount / top-mount / flush-mount.

INCLUSIONS

- Top mount brackets.
- Anti-condensation exterior coating.
- Sound pads to external faces and base.
- 90mm strainer waste and plug to each drain.

WARRANTY

- 25 years manufacturer's warranty.
- Fit for Australian Standards and UPC certified.