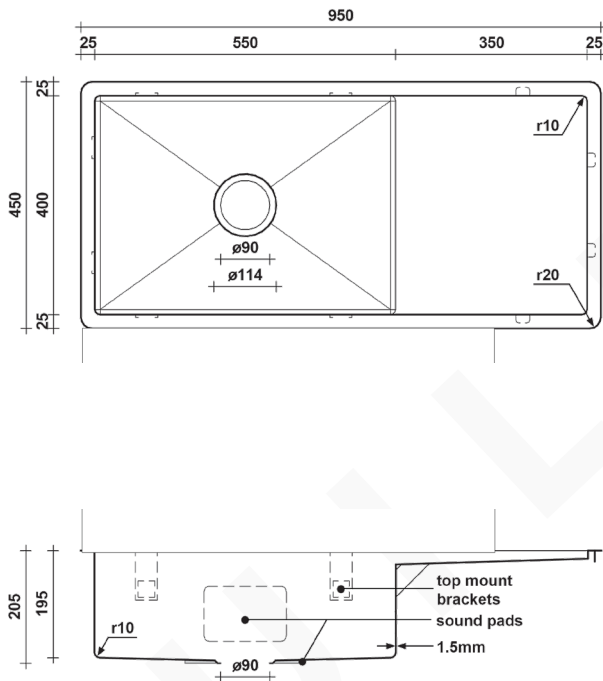


CHANDLER 950



DESCRIPTION

Brand: Alma
 Name: Chandler 950
 Model: SNALF009 Brushed Stainless Steel
 Type: Single bowl sink with drainboard
 Capacity: 45 Litres

SPECIFICATIONS

Sink size: 950mm x 450mm
 Bowl size: 550mm x 400mm
 Drainboard size: 350mm x 400mm
 Depth: 205mm
 Material: 316 grade stainless steel
 Thickness: 1.5mm / 16 gauge steel
 Finish: Brushed stainless steel
 Internal corner: R10
 External corner: R20

INSTALLATION OPTIONS

- Under-mount / top-mount / flush-mount.

INCLUSIONS

- Top mount brackets.
- Anti-condensation exterior coating.
- Sound pads to external faces and base.
- 90mm strainer waste and plug to each drain.

WARRANTY

- 25 years manufacturer's warranty.
- Fit for Australian Standards and UPC certified.