



mockingbird

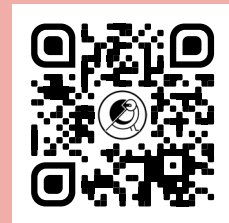


Let's Dig In!

Mockingbird High Chair

Instruction Manual and User Guide

Scan the QR code for a step-by-step video tutorial on setting up and using your Mockingbird High Chair



WARNING

Failure to follow all warnings and instructions could result in SERIOUS INJURY or DEATH. Read these instructions carefully before assembling and using this product. Store this user guide in a convenient place so it can be consulted often.

When using this product as a High Chair with the Baby Seat installed:

FALL HAZARD: Children have suffered severe head injuries including skull fractures when falling from high chairs. Falls can happen suddenly if child is not restrained properly.

- Always use restraints, and adjust to fit snugly.
- Tray is not designed to hold child in chair.
- Stay near and watch child during use.
- Do not use the High Chair until child can sit unassisted.
- Maximum child weight in Baby Seat 35lbs.
- Do not use the High Chair without the plastic harness clip installed securely on the silicone harness hub.
- Retighten all bolts 2-3 weeks after assembly of the High Chair. After that you should check and retighten the bolts if necessary on a regular basis, e.g. every second month. Keep the Hex Key for future use, but out of the child's reach.
- Do not use the High Chair as a step stool.
- Do not use with a booster seat.
- NEVER use with accessories or replacement parts not approved by Mockingbird for use with this product.
- For indoor use only.
- Do not place more than 10lbs. on the Tray. Do not rest or lean on the Tray.
- Do not allow unsupervised children to play with or climb on the High Chair.
- Do not allow children to stand in the High Chair or on the Child Chair seating surface.
- Do not drag the High Chair across the floor. Dragging the chair may scratch flooring. Lift and place the High Chair when relocation is needed.
- The Adjustable Baby Footrest MUST be secured in the highest adjustment position to use as a Child Chair seat.
- Adult assembly required. Package contains small parts, some of which may have sharp edges.
- Do not use the High Chair unless all components are correctly fitted and adjusted. Pay special attention to the Baby Seat, Belly Bar and Adjustable Toddler Footrest – make sure these are properly fastened before you put your child into the chair.
- Do not use the Harness if it shows any signs of deterioration or excessive wear and tear, such as peeling, flaking or cracks in the plastic or silicone. If any such deterioration or excessive wear and tear is observed, please contact the Mockingbird Customer Experience Team at hellomockingbird.com/contact to order a replacement.
- Always place the High Chair on a level, stable surface.
- Do not place the High Chair near an open fire or other sources of strong heat due to the risk of fire.
- Do not use the High Chair if any part is broken, torn or missing.
- Maximum child weight in child chair 150lbs.

Table of Contents

Instruction Manual

- 3** What's Included
- 5** Assemble the Frame
- 9** Assemble the Child Chair
- 11** Attach the Baby Seat
- 12** Attach the Adjustable Tray

User Guide

- 14** Loading and unloading your child in the High Chair
 - Loading: Utilizing the Strap Hooks and adjusting the Harness
 - Unloading: Using the Quick Release Buckle
 - Removing the Harness
- 16** Adjusting the High Chair
 - Adjusting the Baby Footrest
 - Adjusting the Tray
- 18** Using the Tray Liner
 - Attaching and removing the Tray Liner
- 19** A seat at the table
 - High Chair Mode
 - Child Chair Mode
- 20** Converting to the Child Chair
 - Removing the Baby Seat
 - Adjusting the Baby Footrest
- 21** When things get messy
 - Cleaning and Maintenance





Watch our instructional video for a step-by-step tutorial here.

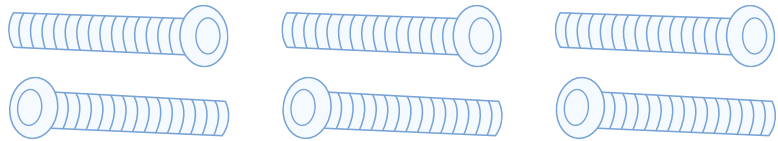
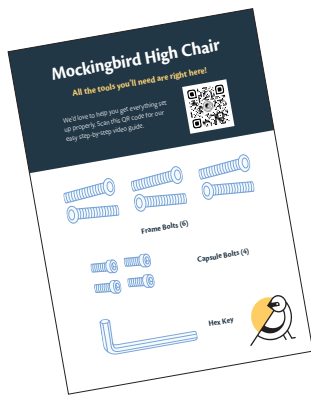


Instruction Manual

Let's get started setting up your High Chair!

Hardware & Tools:

To keep things simple, you'll find all the hardware and tools needed to assemble your High Chair in this package!



Frame Bolts (6)



Capsule Bolts (4)

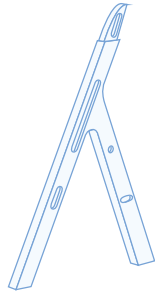


Hex Key

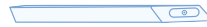


High Chair Components:

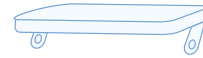
The Frame:



Frame Leg (2)



Wooden Crossbar



Child Step



Metal Crossbar



Adjustable Baby Footrest

Child Chair:



Capsule



Capsule Cap



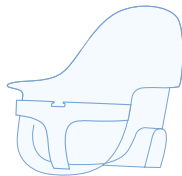
Child Backrest



Bonus Gift!

Placemat

Baby Seat & Tray:



Baby Seat
with Belly Bar



5-Point Harness
(attached to the
Baby Seat)



Adjustable Tray



Tray Liner
(attached to the Tray)



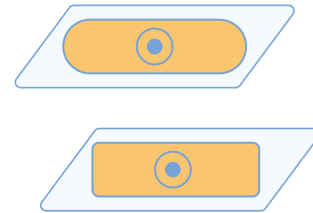
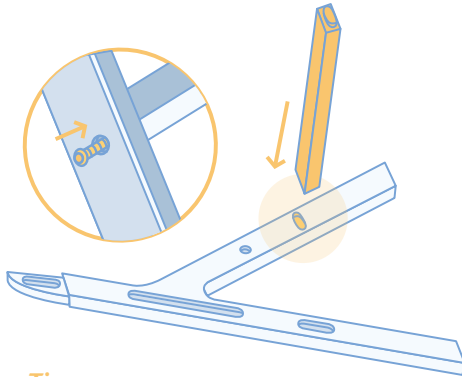
1

Assemble the Frame



Install the Wooden Crossbar

Lay one Frame Leg flat on the floor with the inside face up and all indents visible. Insert the Wooden Crossbar into the matching indent on the bottom of the Frame Leg. Insert a Frame Bolt from the outside of the Frame Leg and fully tighten until completely snug.



Ends of the Wooden Crossbar



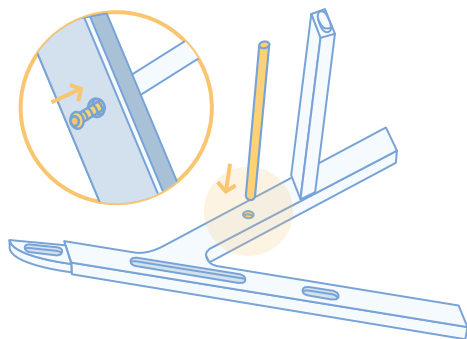
Pro Tip

To avoid scratching the Frame Legs during assembling lay down a blanket before beginning assembly.



Install the Metal Crossbar

Lay one Frame Leg back on its side and insert the Metal Crossbar into the matching indent in the Frame Leg above the Wooden Crossbar. Insert a Frame Bolt on the outside of the leg and fully tighten until completely snug.



Install the Adjustable Baby Footrest

Lay one Frame Leg back on its side and insert the Adjustable Baby Footrest into the bottom of the white track. Align the thumb screw at the bottom setting and push the thumb screw into the track and tighten until completely snug so there is no gap between the Adjustable Baby Footrest and thumb screw.

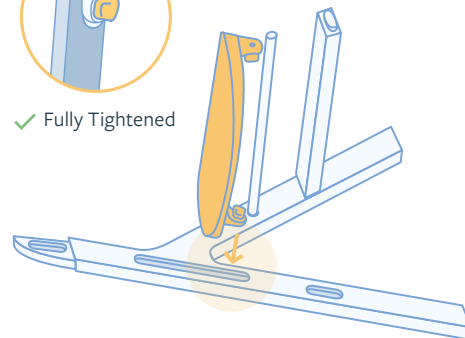
Footrest Thumb Screw



✗ Not Tightened



✓ Fully Tightened



Pro Tip

The Footrest has four adjustable positions to fit your little one just right. See page 16 for more tips about adjusting the Footrest.

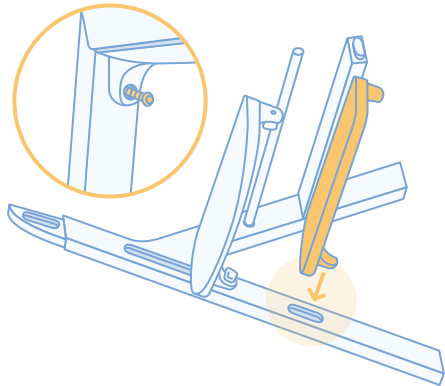
Important!

The thumb screws contain a spring and will pop out when not fully engaged. Always check thumb screws are fully tightened on both sides, on the same setting, before use. Tighten until completely snug on both sides and there is no gap between the Adjustable Baby Footrest and thumb screw.



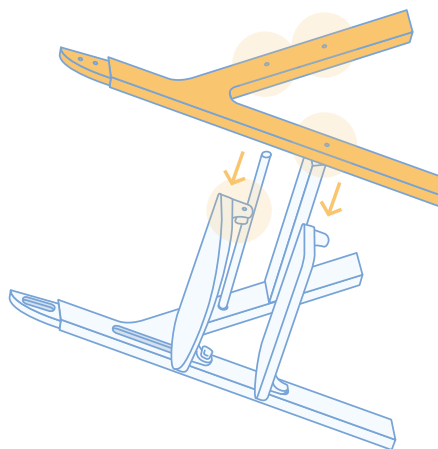
Install the Child Step

Align the Child Step with the matching indent on the bottom of the Frame Leg below the Baby Footrest. Insert a Frame Bolt on the inside of the leg and fully tighten until completely snug.



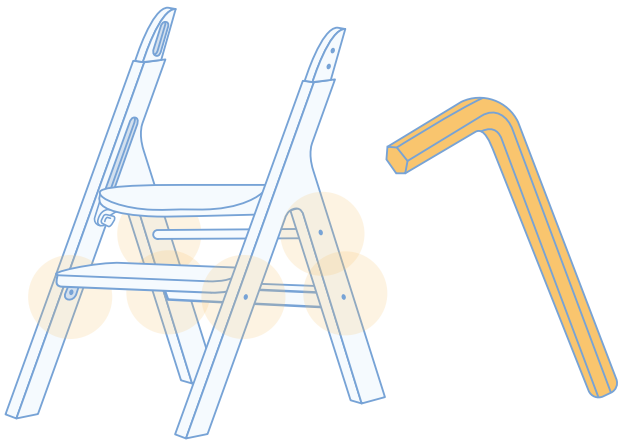
Attach the second Frame Leg

Take the other Frame Leg and gently align the Crossbars, Baby Footrest and Child Step into their corresponding indents on the Frame Leg. Sandwich the Frame Legs together. Install and tighten all remaining Frame Bolts and thumb screws. For easier access, flip the Frame over to tighten the Baby Footrest thumb screws and Child Step Frame Bolts specifically.



Tighten the Frame Bolts

Using the Hex Key, retighten all six Frame Bolts until completely snug. There should be no gaps between each part and the Frame Legs.



Important!

Keep the Hex Key and retighten all Frame Bolts 2-3 weeks after assembly of your High Chair. After that, you should check on and retighten the bolts every other month or if there is any wobble in the Frame.



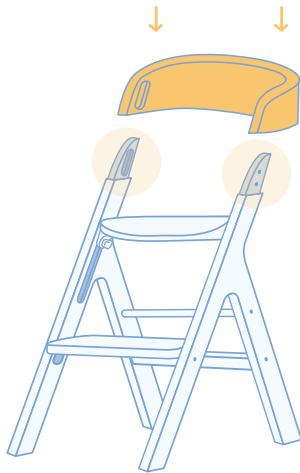
2

Assemble the Child Chair



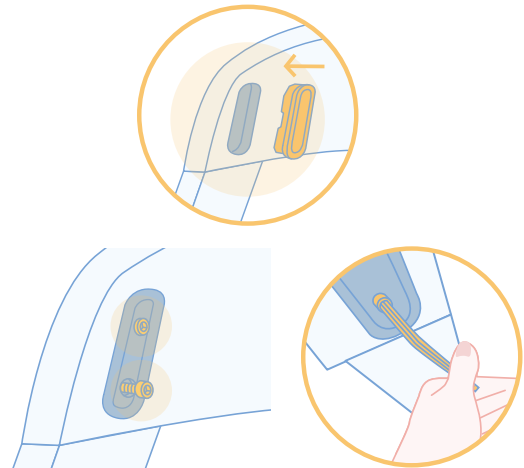
Slide the Child Backrest onto the Frame

Align the openings on the bottom of the Child Backrest with the tops of the assembled Frame Legs. Slide the Child Backrest onto the Frame Legs.



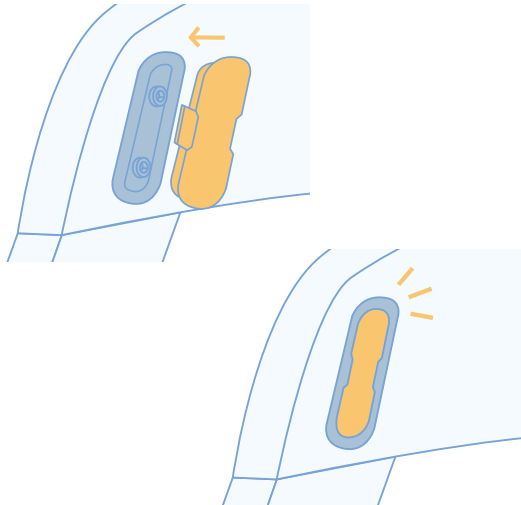
Install the Capsules

Insert the Capsule into the hole on each side of the Child Backrest. While holding the Backrest up, insert the two Capsule Bolts on each side of the Child Backrest. Use the Hex Key to tighten all four bolts completely.



Insert the Capsule Caps

Insert each Capsule Cap into the Capsule on both sides of the Backrest. You will hear them click into place once securely clipped in.



Pro Tip

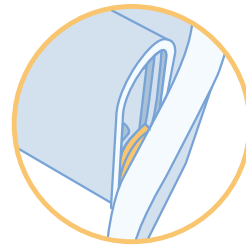
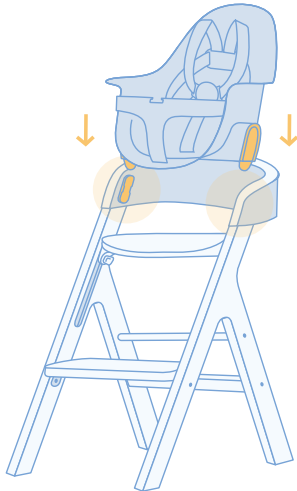
If you want to disassemble your High Chair in the future, the Capsule Caps can be easily removed by using a flat head screwdriver to pop them out.

3 Attach the Baby Seat



Align the Baby Seat onto the Capsule

Align the Baby Seat over the Capsules and slide into place onto the Backrest. Push down and on the base of the Baby Seat and listen for a click on both sides. Confirm the Baby Seat is fully clipped in and locked by pulling up on each side of the Baby Seat.



Pro Tip

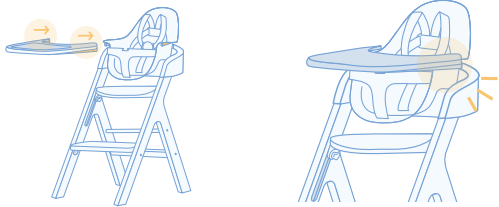
To learn more about converting the High Chair to a Child Chair see page 20.

4 Attach the Adjustable Tray



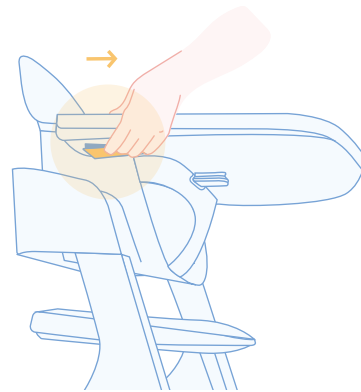
Slide on the Adjustable Tray

Grasp the sides of the Adjustable Tray. Align the openings on the sides with the armrests and the track on the bottom with the Belly Bar. Slide onto the Baby Seat and listen for the click on both sides. To adjust positions or remove the Tray press the buttons located on the bottom side of the Adjustable Tray and slide the Tray in or out to each position. Utilize the markers on the armrests to adjust the Tray to your desired position. Always after adjusting positions, pull the tray forward to confirm it is fully clicked in.



Removing the Tray

Grasp the sides of the Adjustable Tray, press the buttons located on the bottom side of the tray and pull outward to remove.



Pro Tip

The Tray has three adjustable positions to fit your little one just right. See page 17 for more tips about adjusting the Tray.





User Guide

Great job! Look at you, mastering this set up.
Read on to learn how everything works!

Loading and unloading your child in the High Chair

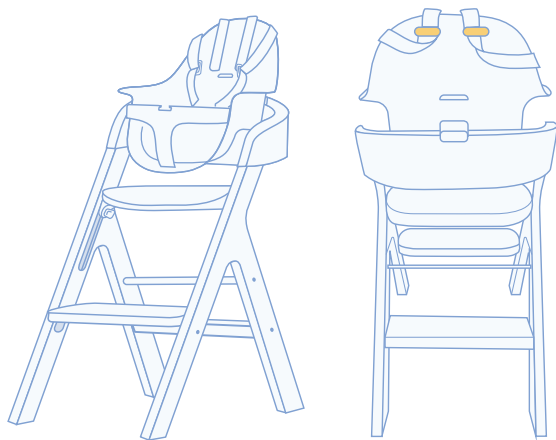
Loading

Unbuckle the harness and align your child's legs with the leg openings of the Baby Seat. Gently lower your child into the High Chair, ensuring they are comfortably seated and their back is supported.



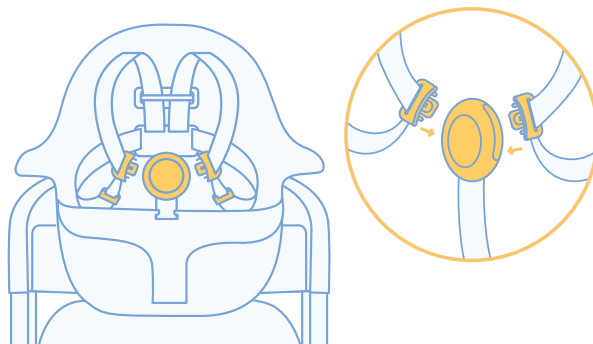
Pro Tip

For an easy loading experience, first move the harness straps out of the way by hooking them on the **Strap Hooks** located on the back of the Baby Seat.



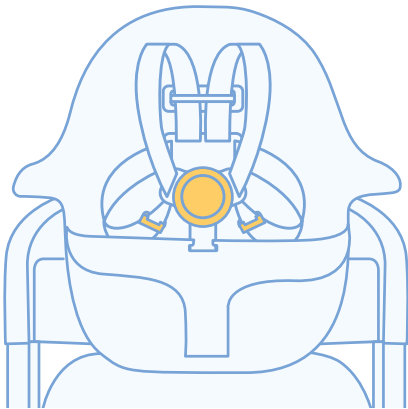
Securing Your Child

Secure your child in the **5-point safety harness**, adjusting the straps by pulling on the adjustment points at the waist. The straps should rest comfortably on the front of the child's shoulders, and should not be slipping off. The removable Strap Holder can be used to help reduce strap slippage off the child's shoulders. The straps should be snug, but not too tight. Your child should be able to move their arms comfortably. Fasten the strap clips into the Quick Release Buckle (you should hear an audible click). Give the straps a gentle tug to confirm they're securely fastened.



Unloading

Press the button on the **Quick Release Buckle** to quickly and easily release the straps. Undo the Harness and gently lift your child out of the seat.

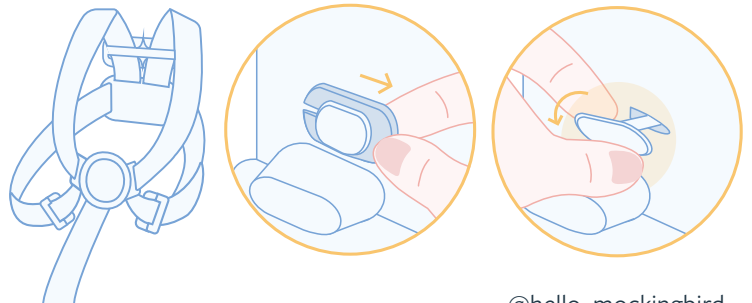


Removing the Harness

To remove the Harness for cleaning, locate the silicone tab attached to the Harness on the back of the Baby Seat. Slide off the plastic clip attached to the silicone tab and set aside for later. Pull the tab towards you and squeeze the bottom portion on tab, flattening the tab. Push the flattened tab through the hole in the seat to remove the Harness.

To remove the crotch strap and buckle pull the strap through the hole in the base of the Baby Seat.

To reattach the Harness, push the silicone tab back through the Baby Seat and reattach the plastic clip by sliding it on the hub post all the way over between the silicone tab and Baby Seat. Rethread the crotch strap and buckle back through the seat. Pull on the Harness to make sure it is secure before use.

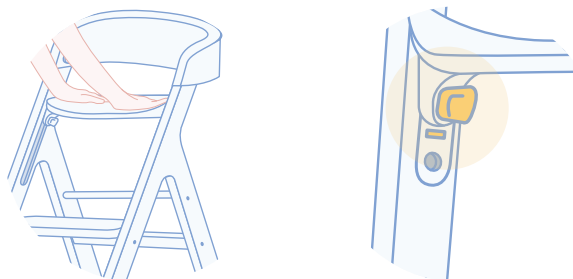
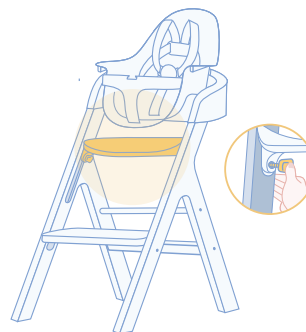


Adjusting the High Chair

Adjusting the Baby Footrest

The Baby Footrest has **4 positions** so you can adjust the seat height to fit your child just right. Unscrew the thumb screws on both sides of the Footrest, until you feel them pop out. Slide the Footrest up and down the track, using the markers in the track as a guide. Once at your ideal height, push the thumb screws back in and tighten until completely snug on both sides and there is no gap between the Adjustable Baby Footrest and thumb screw.

When specifically adjusting the Baby Footrest in the highest position you feel it lock into place once it is in position. Once locked, push the thumb screws back in and tighten until completely snug as well. After adjusting, press down on the Footrest to make sure it is secure before using.



Pro Tip

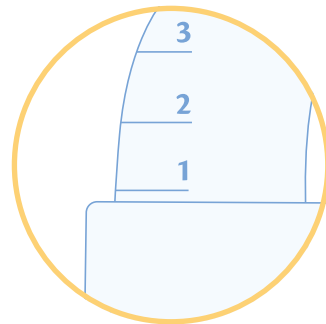
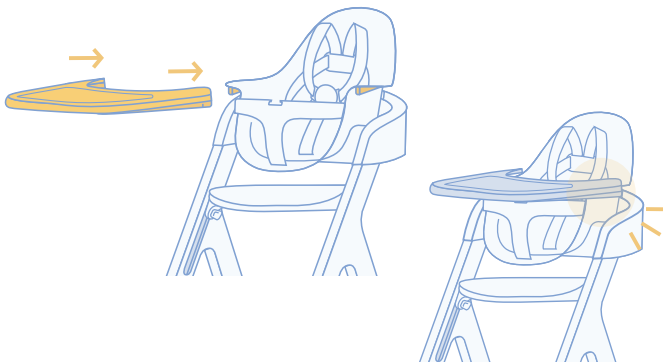
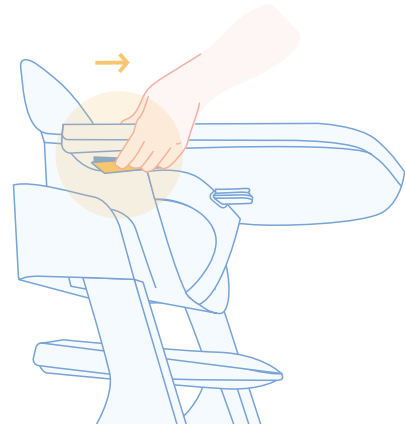
Adjust the Footrest height and Tray depth to ensure a comfortable fit for your child, and look for the following:

- Child can sit upright in the High Chair, and Baby Seat should provide proper support to prevent slouching, reclining or leaning to the sides
- Feet resting flat on the Footrest, with knees at a 90 degree angle
- Child can comfortably reach the Tray



Adjusting the Tray

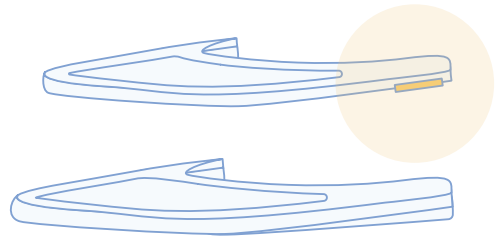
The Tray has **3 positions** to adjust the seat depth for your child. Press the buttons located on the bottom side of the Tray and slide onto the Baby Seat. Utilize the markers on the armrests to adjust the Tray to your desired position. You will hear an audible click when both sides are in a position. To re-adjust the Tray, grasp the sides and press the buttons on the bottom of the tray on both sides. Push in or pull out the Tray to reach your desired position. Pull the Tray forward to confirm it is fully clicked in. Use the number markings on the armrests to confirm both sides are in the same position.



Using the Tray Liner

Attaching and Removing the Tray Liner

The Tray Liner comes attached to the Tray. For easy and quick one-hand removal, locate the tabs on either side of the Tray Liner and pull outward on the tab to unclip the Liner from the Tray. Repeat on the other side and lift the Tray Liner up and off the Tray. To reattach, press the Tray Liner onto the Tray until you hear it click into place on both sides.



Pro Tip

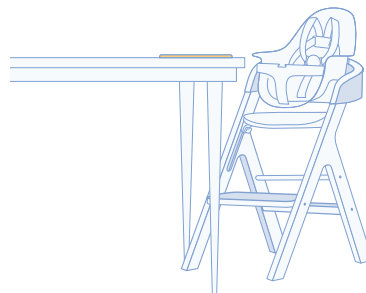
The Tray Liner provides added convenience as another tray option and makes for easier mealtime clean ups. After use, simply remove the Tray Liner and wipe it down to use for the next meal. You can also put in the dishwasher and use the the Tray itself for your little one's next meal!



A seat at the table

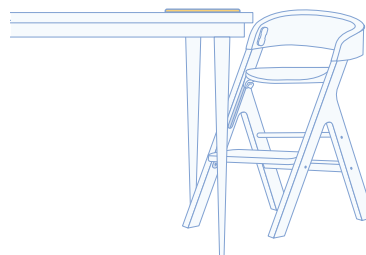
High Chair Mode

Remove the Tray and Tray Liner, and position the High Chair next to the dining table. Ensure your child is secure in the 5-point harness.



Child Chair Mode

Pull your little one right up to the table in the Child Chair.



Pro Tip

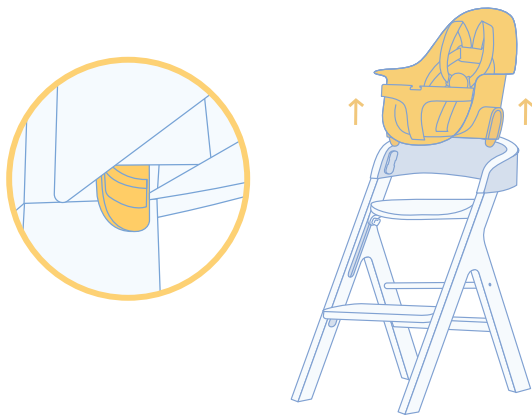
Place your child's meal or snacks within easy reach on the **included Mockingbird Placemat** for easy clean ups. Dig in and enjoy!



Converting to the Child Chair

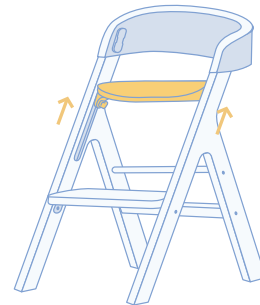
Removing the Baby Seat

Locate the tabs under the Baby Seat on either side. Press both inward and push up on the seat to remove the Baby Seat from the frame.



Adjusting the Baby Footrest

Adjust the Baby Footrest to the highest position. This will be the seat for the Child Chair. The Adjustable Baby Footrest **MUST** be secured in the highest adjustment position to use as a Child Chair seat. You feel it lock into place once it is in this position.



Pro Tip

You can convert the High Chair to the Child Chair when your child can confidently climb in and out of the chair on their own (approximately 3 years, but it varies for every child). The Child Chair supports a max weight of 150 lbs.



When things get messy

Cleaning the High Chair surfaces and Tray

You can wipe down all surfaces of the High Chair and Tray with a wet sponge and mild dish soap. Do not submerge the Tray underwater.



Wipe with sponge
and dish soap



Do not submerge
in water

Cleaning the Harness Straps

The silicone straps allow for easy wipe downs. You can also remove the straps and clean them in the dishwasher (top rack only).



Easy wipe down



Dishwasher Safe

Cleaning the Tray Liner and Placemat

The one-hand removable Tray Liner and Placemat are dishwasher safe (top rack only).



Wipe with sponge
and dish soap



Dishwasher Safe

2023-00057.2



hellomockingbird.com

[@hello_mockingbird](https://twitter.com/hello_mockingbird)