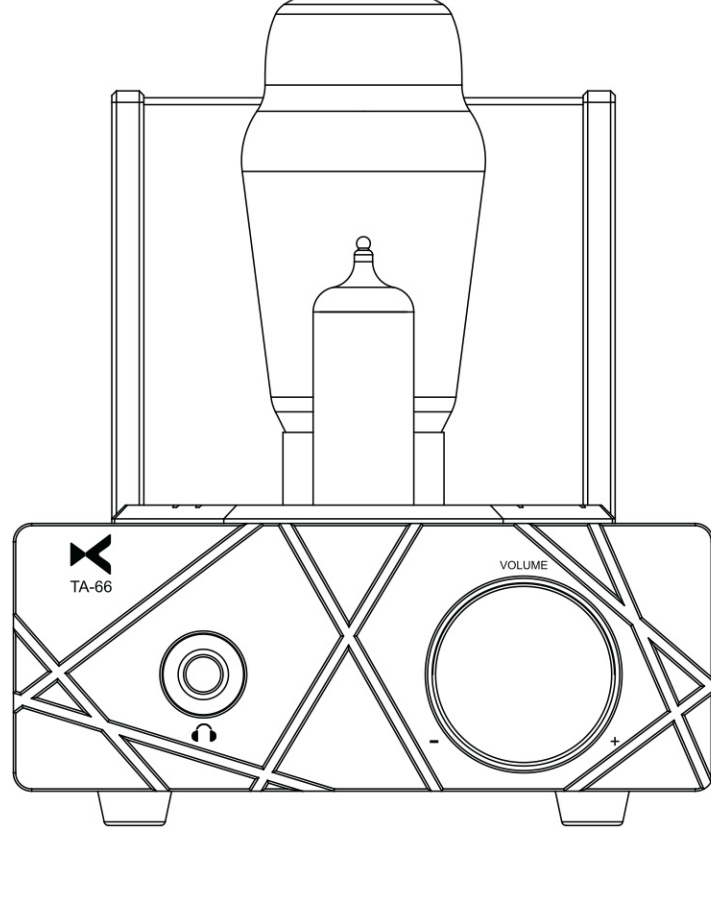


High Performance Tube Headphone Amplifier



About US

For more product information, please visit our
[Http://www.xduoo.com](http://www.xduoo.com)
 Or scan us directly to enter the official website



Please read this Manual carefully before operating, and keep it for future reference. **1**

Product introduction:

TA-66 is a high fidelity desktop tube headphone amplifier, which uses 6N2 tube as the pre-amplifier, and 6N5P tube which can output big current as the post-amplifier. also adopts capacitive coupling output to dispense the limit of output transformer and make the frequency response of the amplifier more close to the limit of the tube amplifier. We use pure manual welding copper wire to connect the tube circuit to make the sound more authentic. The power supply adopts the high-quality E-shape transformer with low noise and low magnetic leakage, which not only makes the bile duct machine give full play to its maximum performance, but also greatly reduces the weight of the machine, and also reduces the volume of the machine. It is suitable for home or office use.

Product Features:

1. Adopt 6N2 tube for pre-amp, making voice sweet and exquisite.
2. Using 6N5P tube for buffer, the sound becomes soft and charming.
3. It has one line output, through the tube, Can be used as Pre-amplifier.
4. The step-by-step potentiometer is used to put an end to the problem of low volume imbalance.
5. Adopt the metal polyester film capacitor customized by xduoo as the coupling capacitance of tube output.
6. We use pure manual welding copper wire to connect the tube circuit to make the sound more authentic.
7. Adopts the high-quality E type transformer with low noise and low leakage flux specially for audio amplifiers.
8. Use aluminum shielded case to prevent external interference noise.

Product Parameters:

Power Source: AC 110V(100-120V)/220V(220-240V)

Output Power: 200mW(300Ω load)

Frequency Range: 10Hz~30KHz(±1dB)

Gain: +18dB

THD+N: 0.08% (1KHz@300Ω load)

S/N: 107dB

2

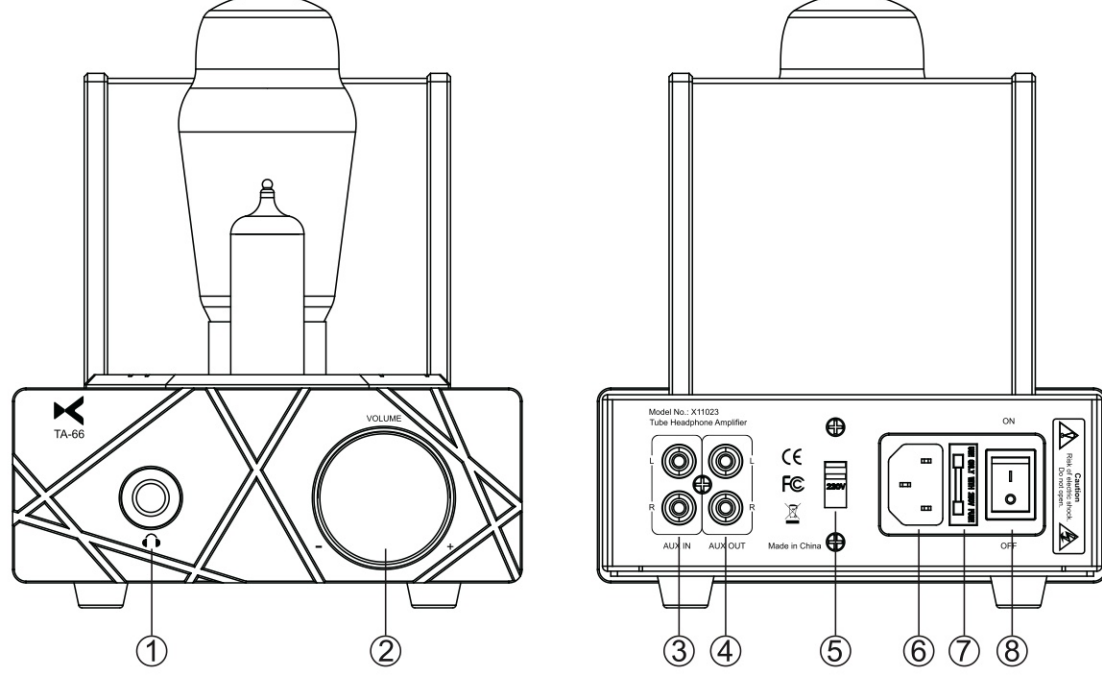
Suitable Earphone Impedance: 60Ω~600Ω

Size: 29.0*15.3*18.4cm (L*W*H)

Weight:5.0KG

Parts and Controls:

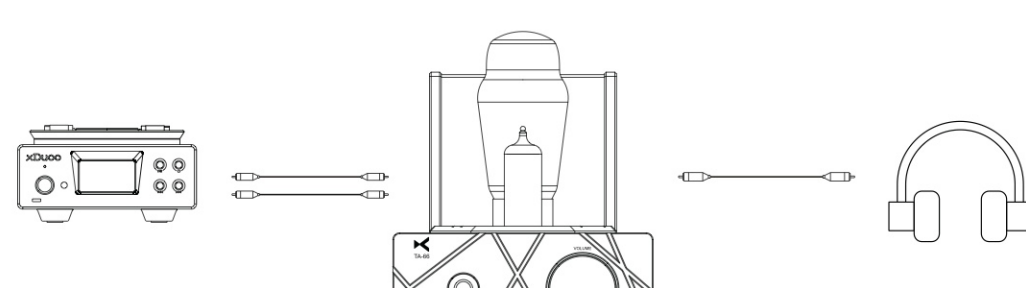
1. Phone out
2. Step-by-step volume knob, total 24 levels, adjust the volume of headphone out and AUX OUT
3. AUX IN
4. AUX OUT, Which through tube processing, and can be controlled by the volume button
5. Voltage selection, set according to the market voltage of different countries
6. AC IN
7. Fuse (250V/10A)
8. Power on/off



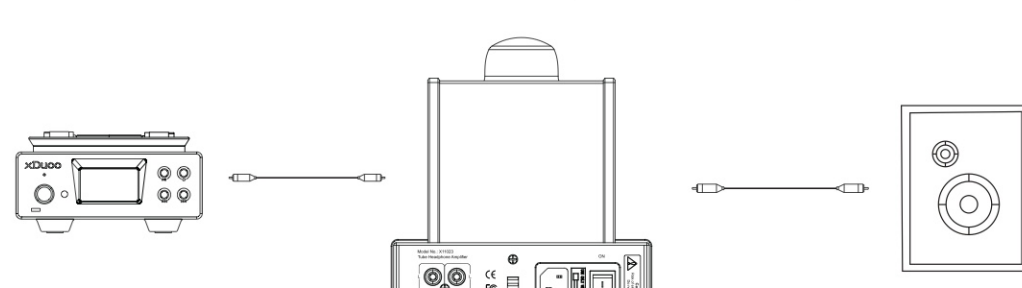
Equipment connection:

1. Use audio cable to connect your player or DAC's AUX output to this unit's AUX IN, playing music, connect headphone and enjoy it.

3



2. The AUX OUT can be connected to other HI-FI amplifier or Active speakers.

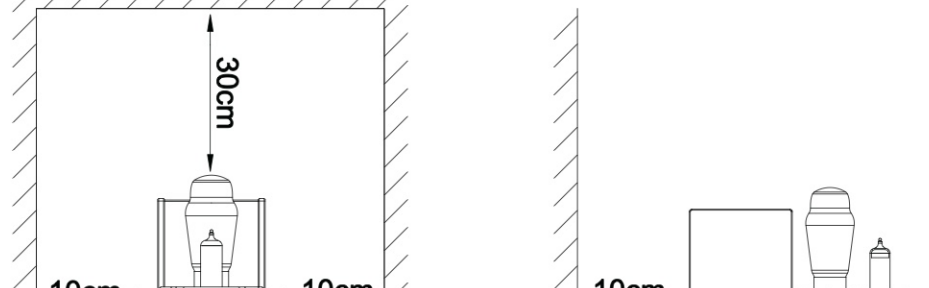


Note: Do not tie the audio cable together with the power cable to avoid noise.

Safety Instructions:

1. The amp should not be subject to water droplets or water splashes, the machine should not be placed with such as vases a class or filled with liquid items.
2. The amp is working, the tube will be very hot, please do not touch with hands directly.
3. Do not disassemble the machine for repairing or modifying, this product does not have the parts or tools for the user to repair on their own, the maintenance of the machine requires qualified personnel to operate. Opening the shell or modifying the internal circuit will make the maintenance difficult, but also the performance or quality of the machine could be affected.
4. Please place the unit in a well-ventilated, cool and dry, clean place, away from direct sunlight, heat, vibration, dusty, damp or cold place. In order to be well ventilated, the machine should leave at least the following distance between the wall.

4



Operation Notes:

1. Turn on the power: Before turning on the power for the first time, please check that the voltage setting of the amp is correct.
2. Using mobile phone: Using mobile phone near the amp may cause noise when playback, please move mobile phone away from the amp.
3. Move the machine: Please disconnect the power cables before moving the machine.

Package List:

AC Cable	*1
6.35 to 3.5 converter	*1
User's Manual	*1
Warranty Card	*1

Warranty Information:

Our products can enjoy 12-month free warranty services from the date of the sale, if the warranty period is expired, our company will charge parts cost depend on the product fault conditions. Accessories are not covered under warranty.

xDuoo Technology Co.,LTD

Website: www.xduoo.com

Service Tel: +86-0755-29799189

E-mail: service@xduoo.com

ADD:Room F1510,MingYueHuaDu Building, GongHe Industrial Road, XiXiangTown, Bao'an District,ShenZhen,China

5