

ITEM NO.	PART NUMBER	PART DESCRIPTION	QTY
1	MA58-67450	WELD ASSEMBLY, HYDROBOOST MOUNT	1
2	MA58-67400	ASSEMBLY, ADJUSTABLE BRAKE SWITCH	1
3	MA58-67480	ASSEMBLY, BRAKE PEDAL, AUTO TRANS	1
4	CR30-9F836-D	GAS PEDAL	1
5	91259A810	Alloy Steel Shoulder Screw 5/8" Diameter 4" Long Shoulder, 1/2"-13 Thread	1
6	94842A104	Medium-Strength Steel Flange Nut Grade 5, Zinc-Plated, 1/2"-13 Thread Size	1
7	1281N21	Easy-Install Dry-Running Flanged Sleeve Bearing for 5/8" Shaft Diameter, 15/32" Length	2
8	90107A127	316 Stainless Steel Washer for 3/8" Screw Size, 0.406" ID, 0.75" OD	2
9	92320A729	18-8 Stainless Steel Unthreaded Spacer 3/4" OD, 5/8" Long, for 3/8" Screw Size	1
10	91257A630	Zinc Yellow-Chromate Plated Hex Head Screw Grade 8 Steel, 3/8"-16 Thread, 1-3/4" Long, Partially Threaded	1
11	93839A031	High-Strength Steel Thin Nylon-Insert Locknut Grade 8, Zinc Yellow-Chromate Plated, 3/8"-16 Thread Size	1
12	90845A010	18-8 Stainless Steel Leveling Washer for I-Beams, 1/4" Screw Size, 0.312" ID	3
13	93310A540	Stainless Steel Thread-Locking Button Head Hex Drive Screws 1/4"-20 Thread Size, 3/4" Long	2
14	93310A337	Stainless Steel Thread-Locking Button Head Hex Drive Screws 1/4"-20 Thread Size, 1-1/4" Long	1
15	98164A276	Stainless Steel Button Head Hex Drive Screw, Super-Corrosion-Resistant, 5/16"-18 Thread Size, 1" Long	2
16	93776A441	Stainless Steel Serrated Flange Locknut 5/16"-18 Thread Size	2
17	MA58-67425	GASKET, HYDROBOOST TO FIREWALL EXTERNAL	1



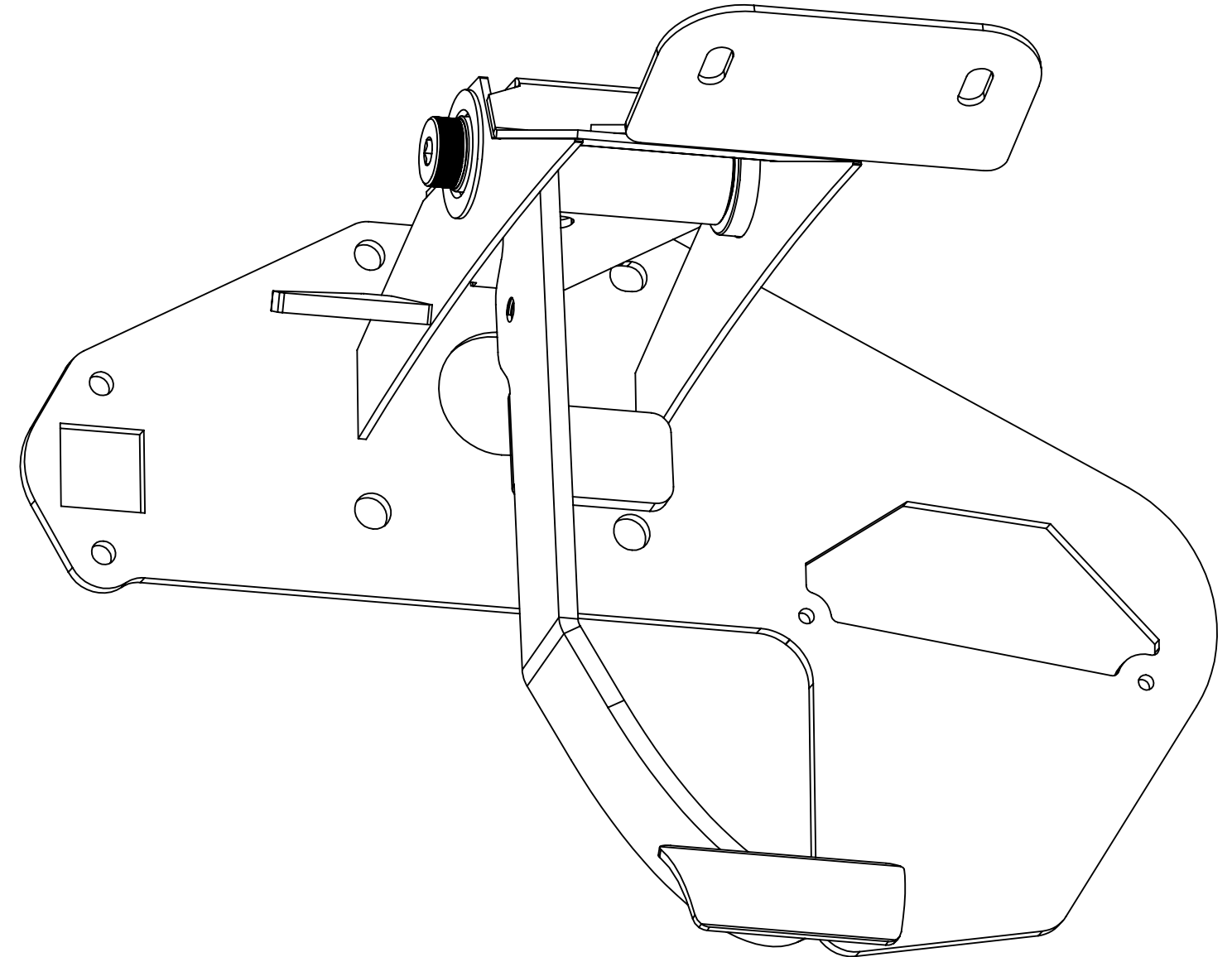
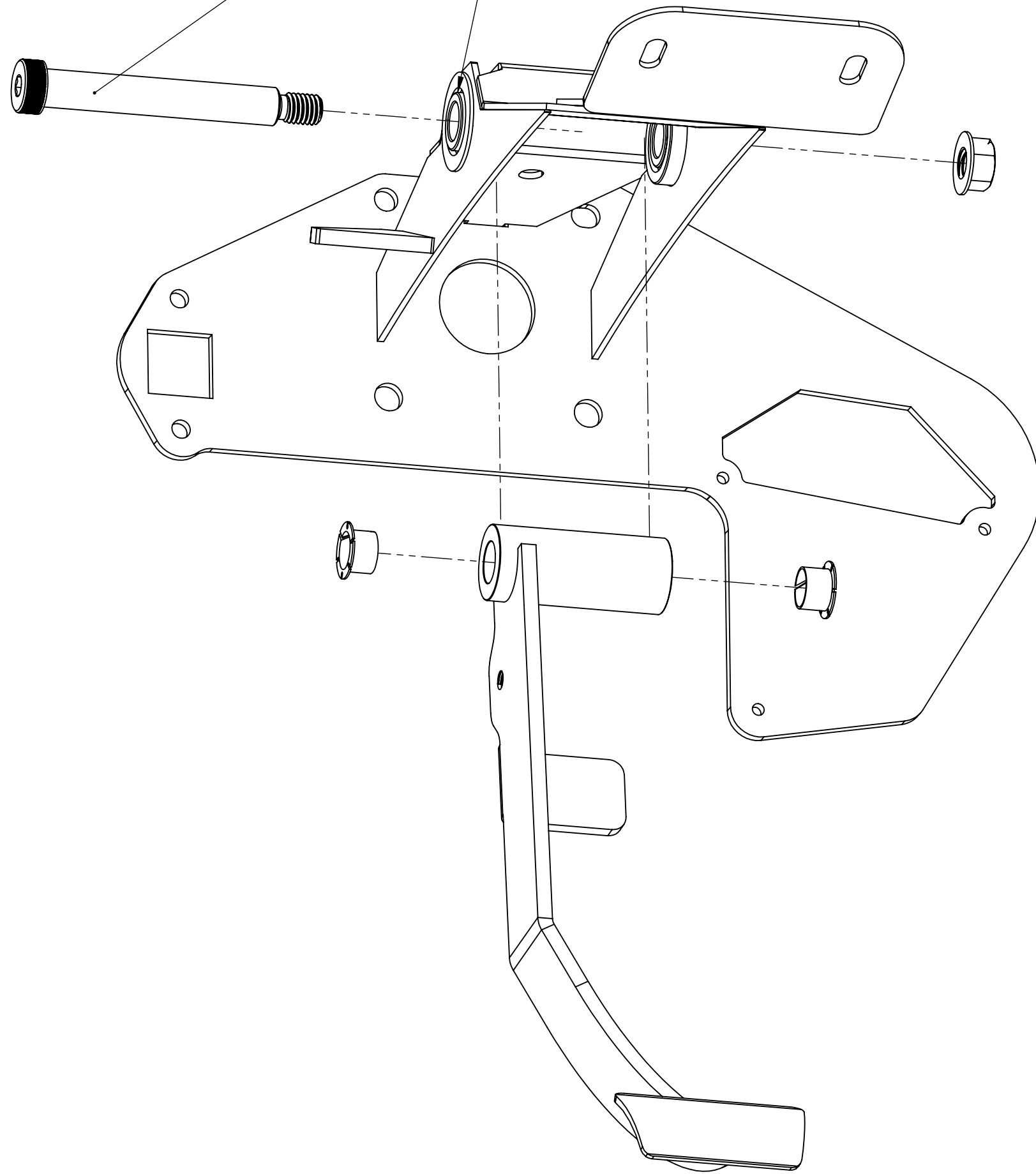
UNLESS OTHERWISE SPECIFIED: SCALE 1:2  
 DIMENSIONS ARE IN INCHES  
 LENGTH: ±.05  
 ANGLE: ±0.1°

PROPRIETARY AND CONFIDENTIAL  
 THE INFORMATION CONTAINED IN THIS DRAWING IS THE SOLE PROPERTY OF REVOLOGY CARS. ANY REPRODUCTION IN PART OR AS A WHOLE WITHOUT THE WRITTEN PERMISSION OF REVOLOGY CARS IS PROHIBITED.

REV	DESIGNER	RESPONSIBLE	DATE
REV A	KRC	XXX	9/26/19
REV B			
REV C			
REV D			

PART NAME	
ASSY, PEDALS, BRAKE & GAS, AUTO TRANS	
PART NUMBER	
MA58-67420	

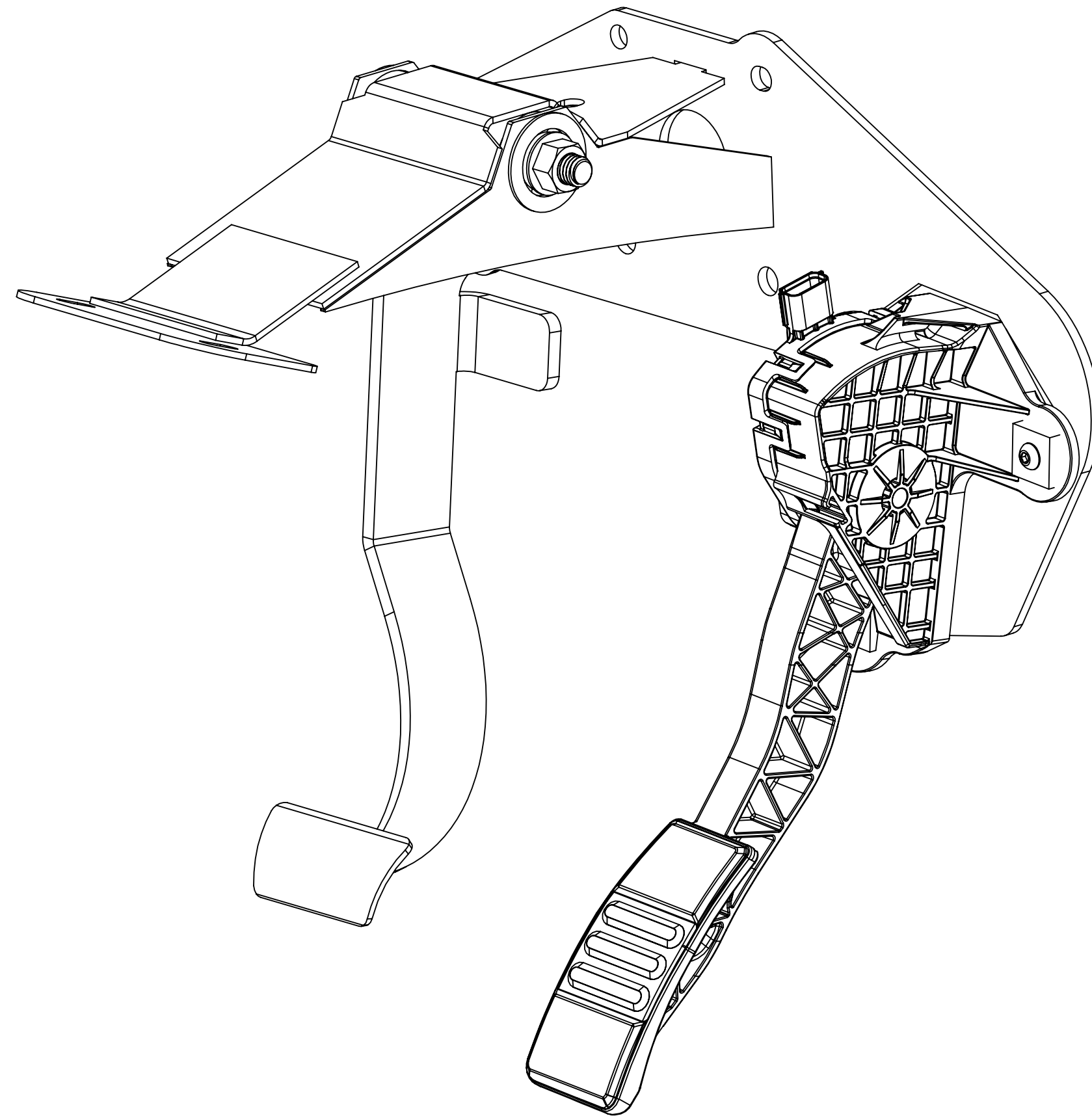
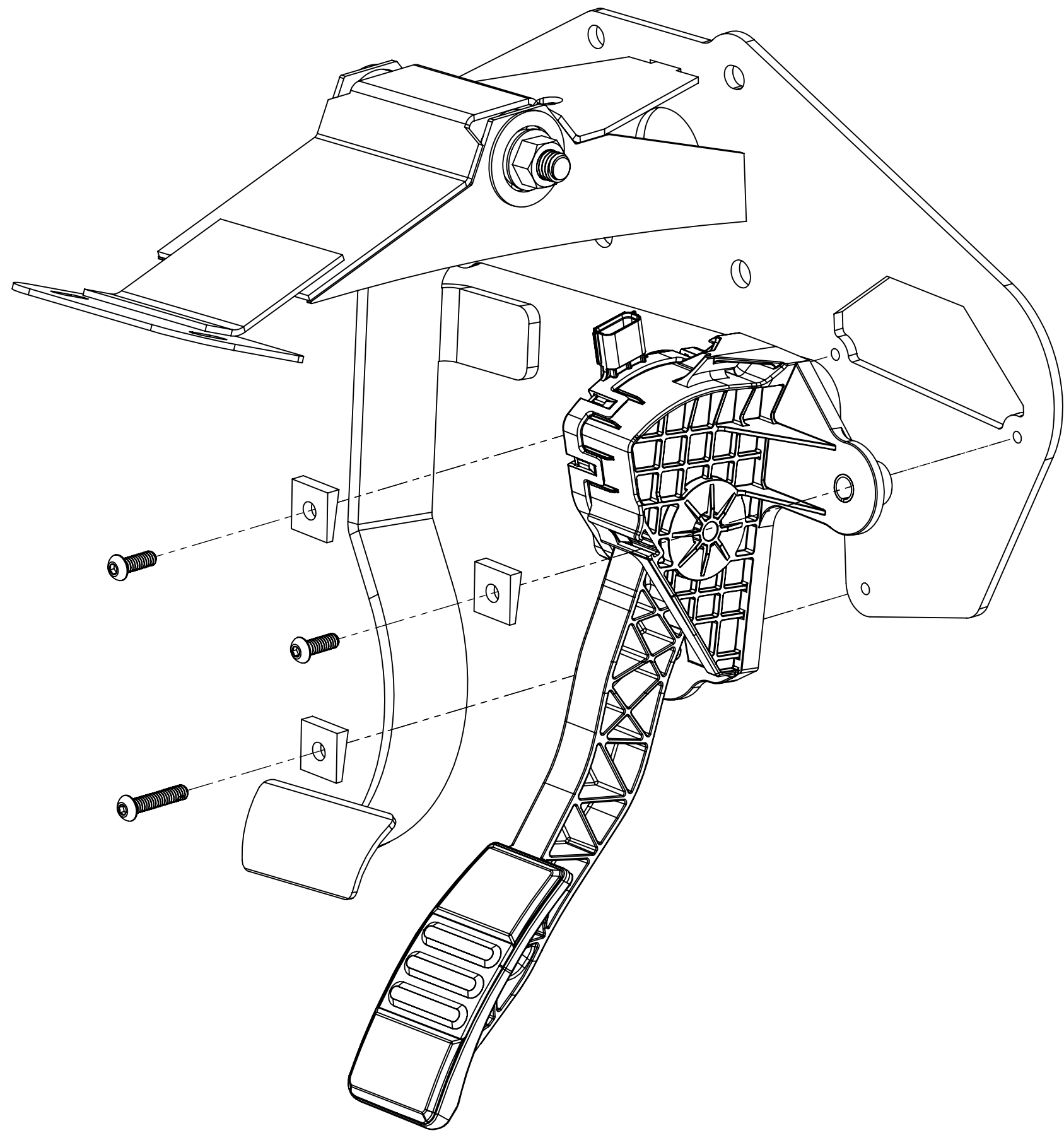
GREASE BEARINGS, SHOULDER BOLT AND BUSHINGS WITH GREASE PROVIDED. TIGHTEN FLANGE NUT AND SHOULDER BOLT USING 5/16" HEX SOCKET AND 3/4" SOCKET AND RACHET.



PROPRIETARY AND CONFIDENTIAL  
 THE INFORMATION CONTAINED IN THIS DRAWING IS THE SOLE PROPERTY OF REVOLVOLOG CARS. ANY REPRODUCTION IN PART OR AS A WHOLE WITHOUT THE WRITTEN PERMISSION OF REVOLVOLOG CARS IS PROHIBITED.

UNLESS OTHERWISE SPECIFIED:		SCALE 1:20	DESIGNER	RESPONSIBLE	DATE
DIMENSIONS ARE IN INCHES			REV A	KRC	XXX
LENGTH: ±.05			REV B		
ANGLE: ±0.1°			REV C		
			REV D		
FINISH	MATERIAL	THICKNESS			
N/A	N/A	N/A			

PART NAME
ASSY.PEDALS, BRAKE & GAS, AUTO TRANS
PART NUMBER
MA58-67420



**PROPRIETARY AND CONFIDENTIAL**  
 THE INFORMATION CONTAINED IN THIS DRAWING IS THE SOLE PROPERTY OF REVOLVING CARS. ANY REPRODUCTION IN PART OR AS A WHOLE WITHOUT THE WRITTEN PERMISSION OF REVOLVING CARS IS PROHIBITED.

**UNLESS OTHERWISE SPECIFIED:**  
 DIMENSIONS ARE IN INCHES  
 LENGTH: ±.05  
 ANGLE: ±0.1°

SCALE	DESIGNER	RESPONSIBLE	DATE
1:2	KRC	XXX	9/26/19
REV A			
REV B			
REV C			
REV D			

FINISH
N/A

MATERIAL
N/A

THICKNESS
N/A

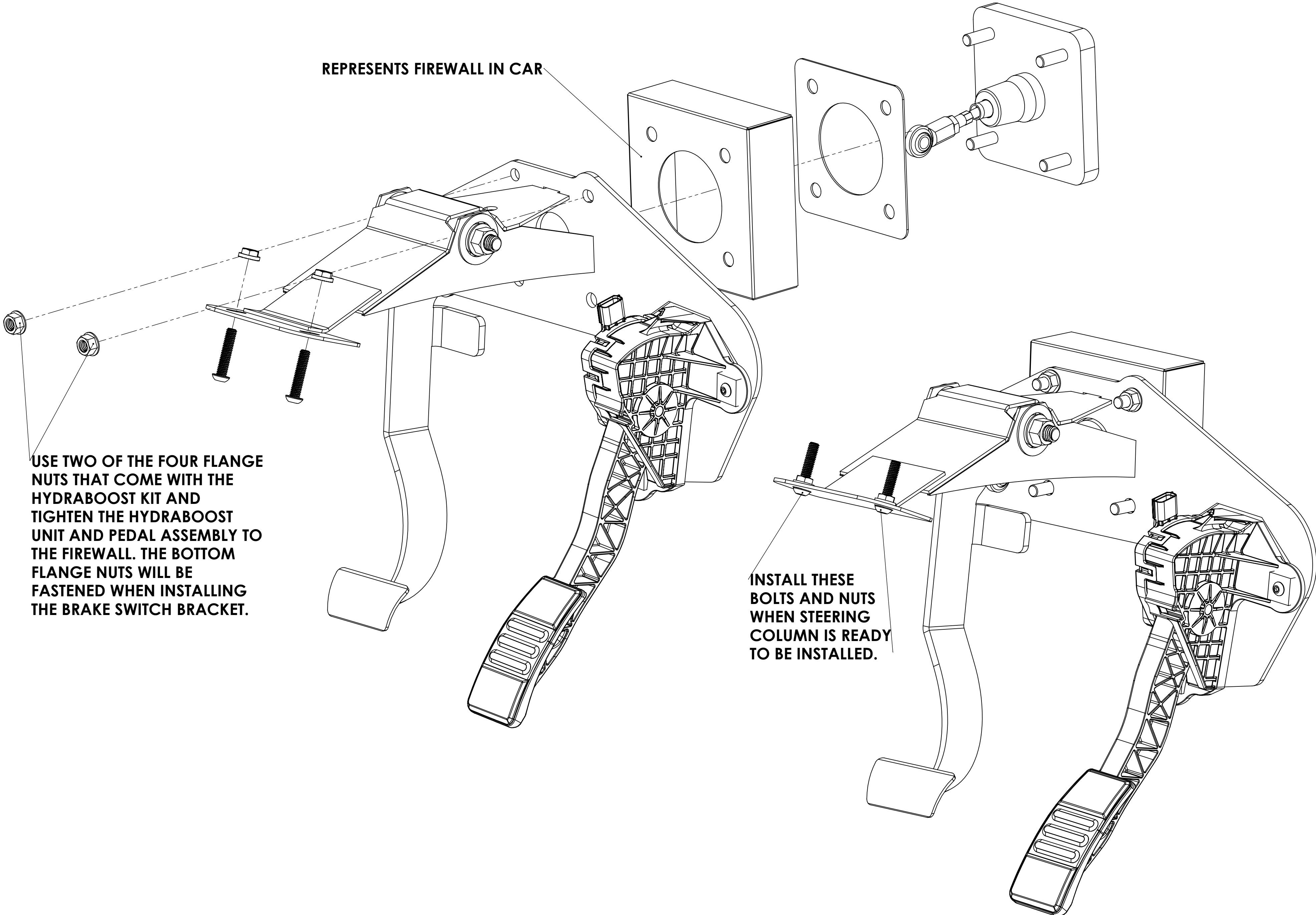
**PART NAME**  
 ASSY, PEDALS, BRAKE & GAS, AUTO TRANS

**PART NUMBER**  
 MA58-67420

REPRESENTS FIREWALL IN CAR

USE TWO OF THE FOUR FLANGE NUTS THAT COME WITH THE HYDRABOOST KIT AND TIGHTEN THE HYDRABOOST UNIT AND PEDAL ASSEMBLY TO THE FIREWALL. THE BOTTOM FLANGE NUTS WILL BE FASTENED WHEN INSTALLING THE BRAKE SWITCH BRACKET.

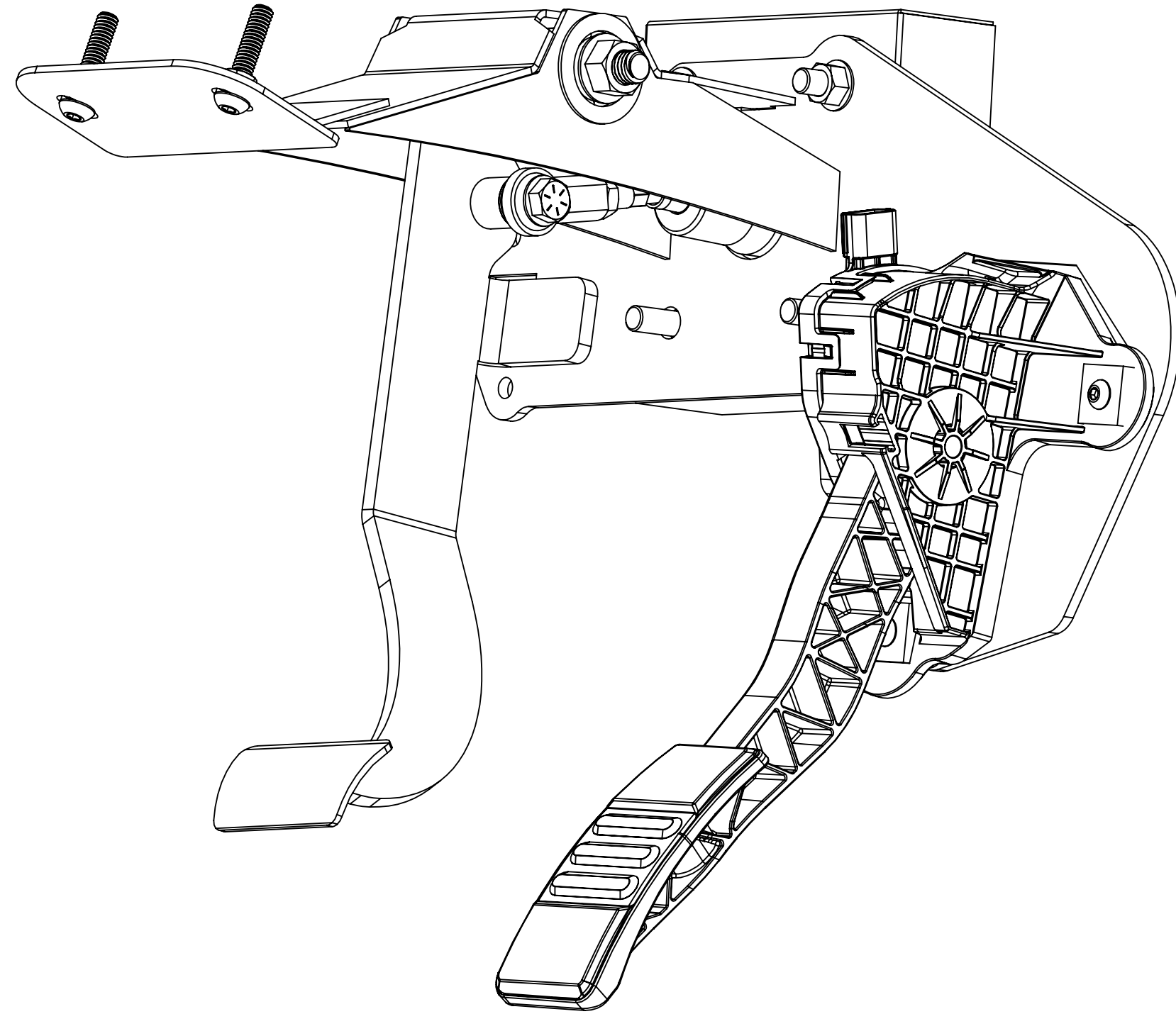
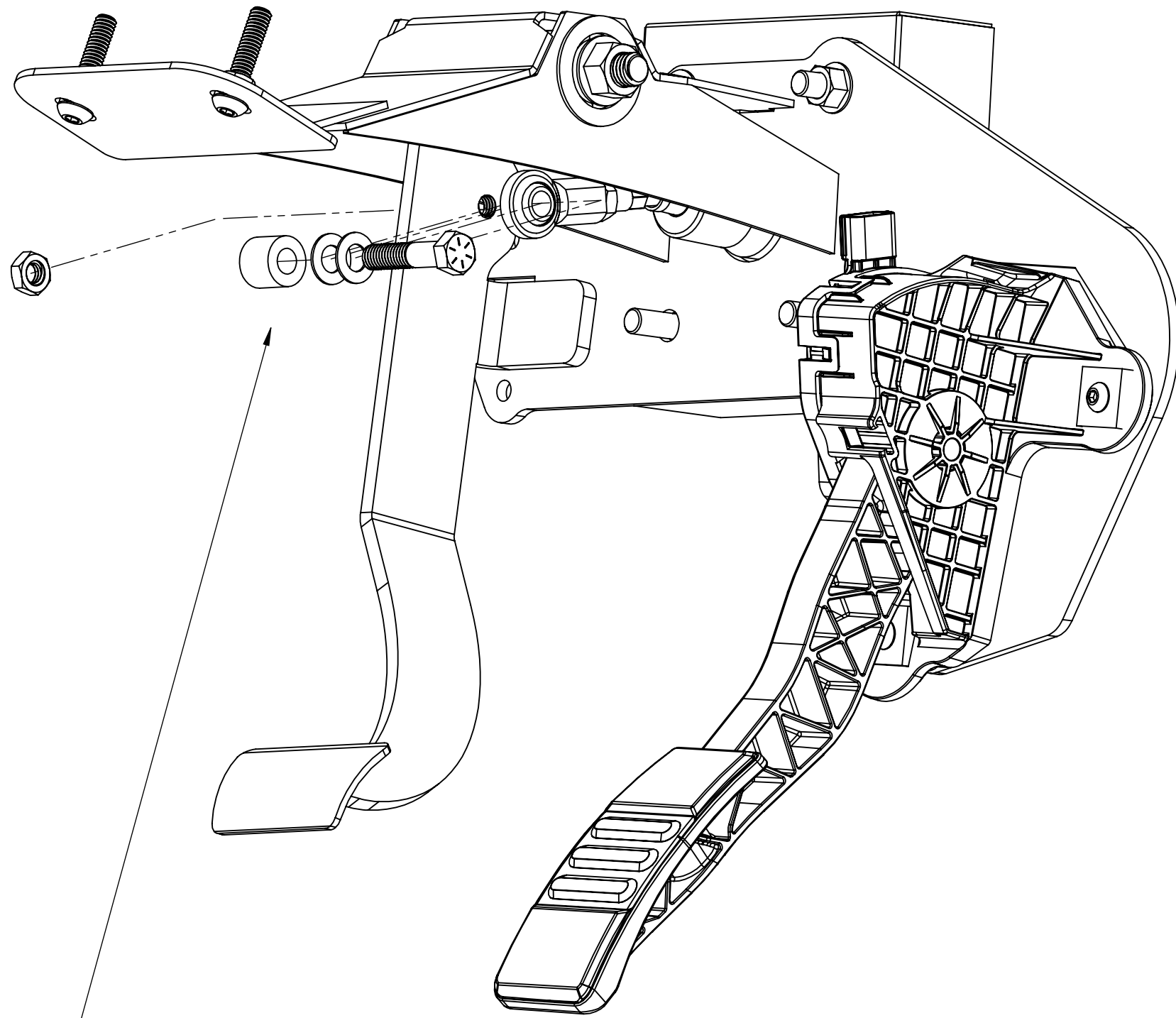
INSTALL THESE BOLTS AND NUTS WHEN STEERING COLUMN IS READY TO BE INSTALLED.



PROPRIETARY AND CONFIDENTIAL  
 THE INFORMATION CONTAINED IN THIS DRAWING IS THE SOLE PROPERTY OF REVOLVOLOGY CARS. ANY REPRODUCTION IN PART OR AS A WHOLE WITHOUT THE WRITTEN PERMISSION OF REVOLVOLOGY CARS IS PROHIBITED.

UNLESS OTHERWISE SPECIFIED:		SCALE 1:2	DESIGNER RESPONSIBLE	DATE
DIMENSIONS ARE IN INCHES		REV A	KRC	XXX 9/26/19
LENGTH: ±.05		REV B		
ANGLE: ±0.1°		REV C		
		REV D		
FINISH	MATERIAL	THICKNESS		
N/A	N/A	N/A		

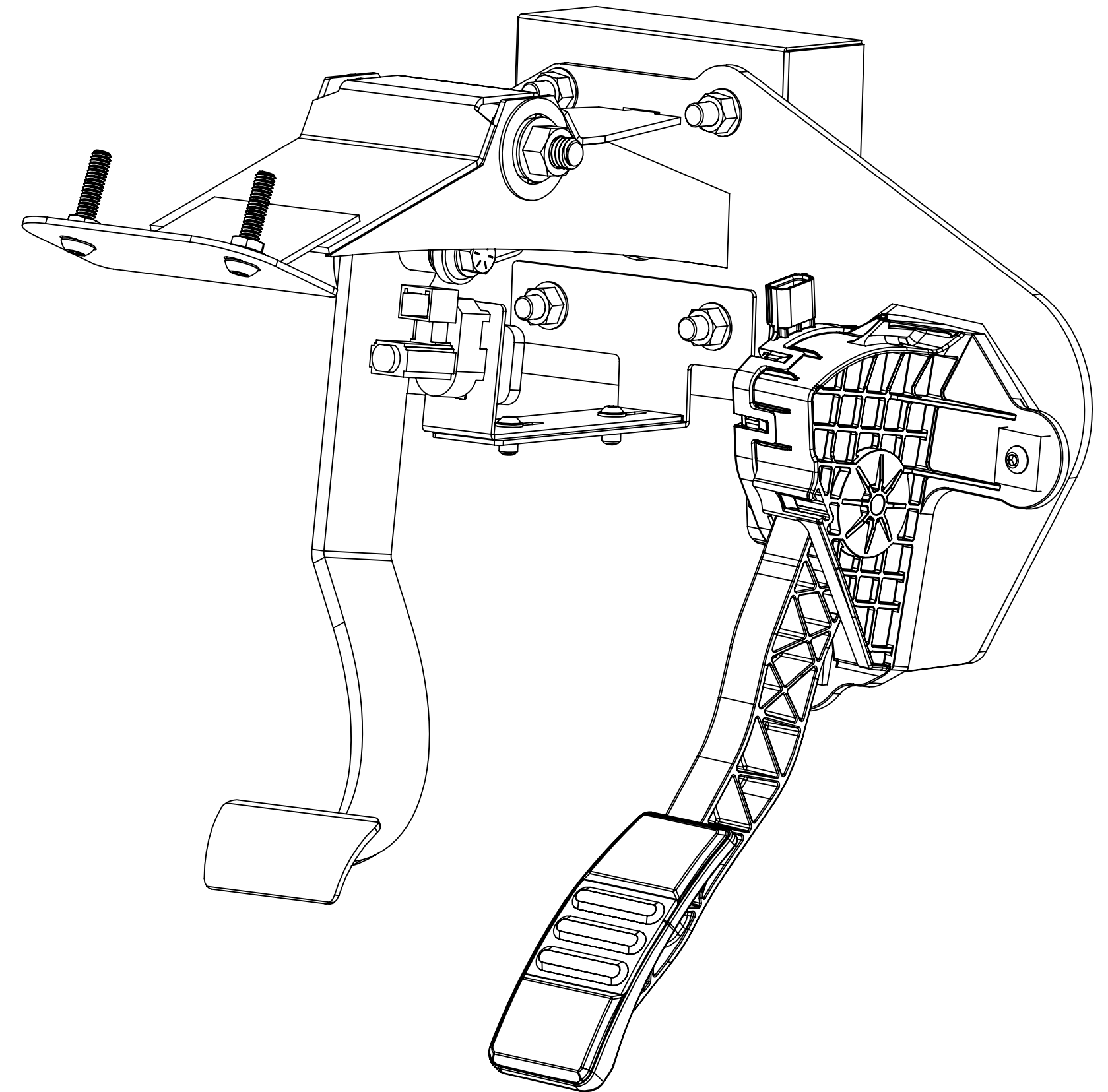
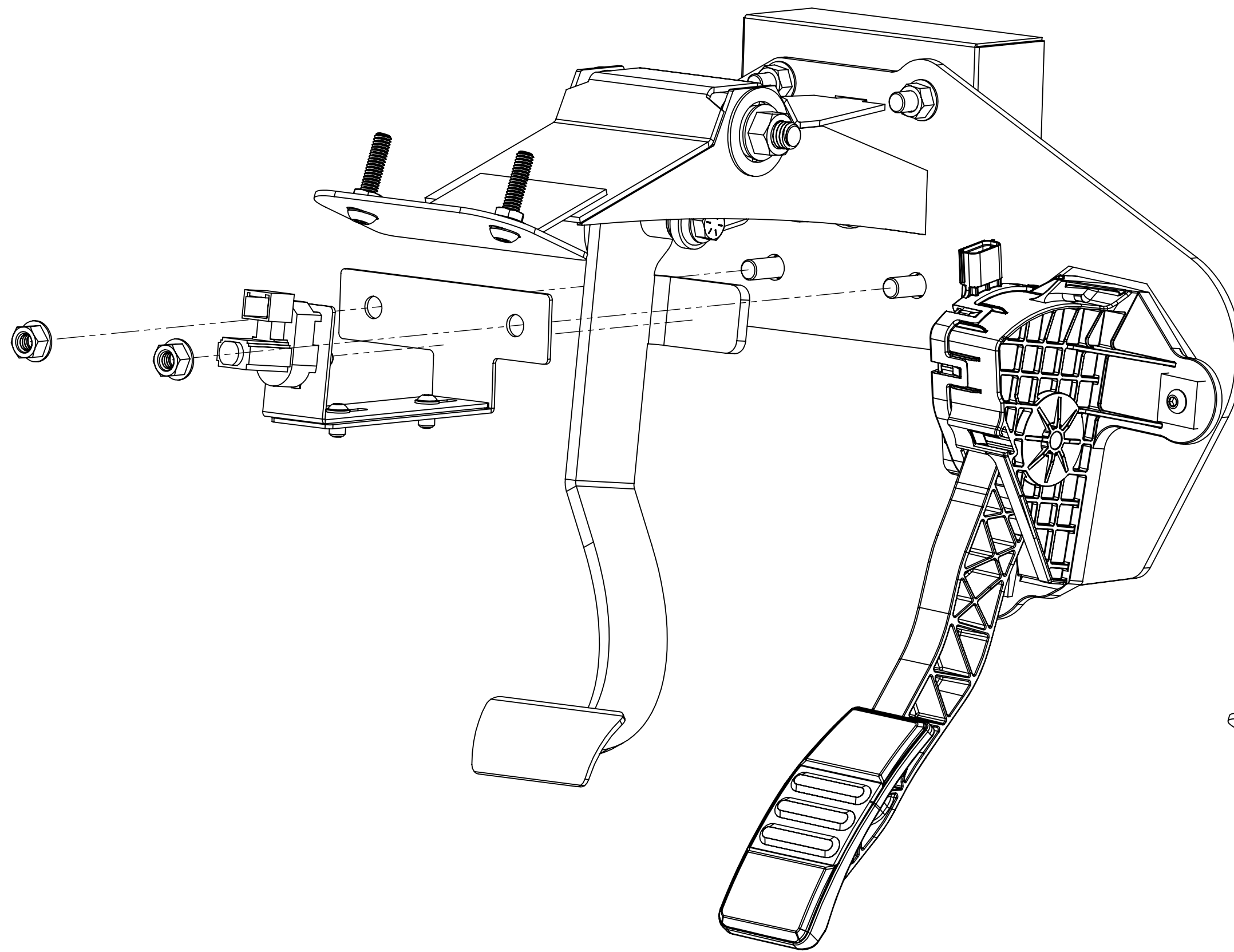
PART NAME
ASSY.PEDALS,BRAKE & GAS,AUTO TRANS
PART NUMBER
MA58-67420



PLACE THE WASHERS ON EACH SIDE OF HEIM JOINT AND INSERT BOLT THROUGH HEIM JOINT. PLACE THE SPACER OVER THE THREADED HOLE ON THE BRAKE PEDAL. INSERT BOLT THROUGH SPACER AND THREAD INTO BRAKE PEDAL. TIGHTEN BOLT TO BRAKE PEDAL. ON THE OTHER SIDE OF PEDAL FASTEN THE NYLOCK NUT.

PROPRIETARY AND CONFIDENTIAL  
 THE INFORMATION CONTAINED IN THIS DRAWING IS THE SOLE PROPERTY OF REVOLVOT CARS. ANY REPRODUCTION IN PART OR AS A WHOLE WITHOUT THE WRITTEN PERMISSION OF REVOLVOT CARS IS PROHIBITED.

UNLESS OTHERWISE SPECIFIED: SCALE 1:2		DESIGNER	RESPONSIBLE	DATE	PART NAME
DIMENSIONS ARE IN INCHES		REV A	KRC	XXX	9/26/19
LENGTH: ±.05		REV B			
ANGLE: ±0.1°		REV C			
		REV D			
FINISH	MATERIAL	THICKNESS		PART NUMBER	
N/A	N/A	N/A		MA58-67420	



**INSTALL THE BRAKE LIGHT SWITCH BRACKET OVER THE BOTTOM STUDS ON THE THE HYDRABOOST UNIT AND FASTEN THE BRACKET USING THE REMAINING FLANGE NUTS.**

**ADJUST THE BRACKET LENGTH SO THAT THE BRAKE LIGHT SWITCH FUNCTIONS PROPERLY WITH BRAKE ACTUATION.**



**PROPRIETARY AND CONFIDENTIAL**  
 THE INFORMATION CONTAINED IN THIS DRAWING AND ASSOCIATED 3D DATA IS THE SOLE PROPERTY OF REVOLVITY CARS. ANY REPRODUCTION IN PART OR AS A WHOLE WITHOUT THE WRITTEN PERMISSION OF REVOLVITY CARS IS PROHIBITED.

<b>UNLESS OTHERWISE SPECIFIED:</b>		SCALE 1:2	DESIGNER	RESP.	ISSUE DATE
DIMENSIONS ARE IN INCHES		REV A	KRC	XXX	09/26/19
LENGTH: ±.05		REV B			
ANGLE: ±0.1°		REV C			
		REV D			
FINISH	N/A	MATERIAL	N/A	THICKNESS	N/A

PART NAME
ASSY.PEDALS,BRAKE & GAS,AUTO TRANS
PART NUMBER
MA58-67420